

REPLACING THE BATTERY

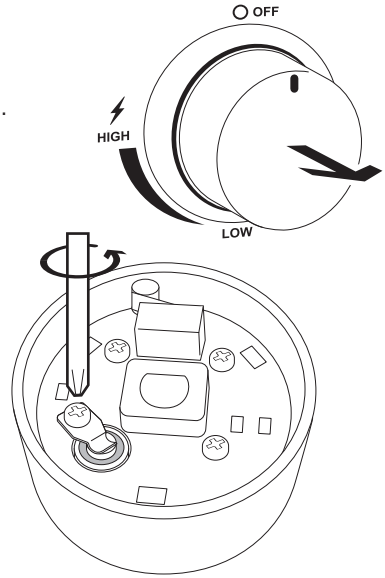
A red light glows around the control knob when the oven is in the ON position. If the control knob fails to light, you may need to replace the battery.

Ensure the oven is OFF and properly disconnected from the gas tank.

Remove the control knob: Grasp the knob firmly and pull straight out.

Remove the battery: On the underside of the knob, using an appropriate screwdriver, remove the screw and battery retention clip.

Turn the knob over and tap into the palm of your hand to release the battery from its compartment.



Insert a fresh 11A 6V L1016 alkaline battery. Note the polarity: The positive end of the battery (indicated by a plus symbol (+), a raised terminal, and coloured red) is UP.

Replace the battery clip and screw: Hold the clip over the battery (note the orientation in the diagram) while tightening the screw with the other hand.

Replace the control knob: Line up the D-shape hole with the flat side of the control shaft. The flat of the shaft and the indicator on the dial should both be UP. Push the control knob straight in until seated.

