

- NOTE:
1. Design and Manufacture for valve according to API 600.
 2. Face-to-face dimensions for valve according to ASME B16.10-2009.
 3. End flange dimensions for valve according to ASME B16.5-2009.
 4. Inspection and Test for valve according to API 598-2009.

Nominal pressure	150LB	
	Shell test	Test medium
Test pressure	3.0 MPa	water
Test seal	2.2 MPa	air
Gas seal test	0.6 MPa	water, oil, gas
Applicable medium	water, oil, gas	
Applicable temperature	-20~797°F	

NPS	L	D	D1	D2	C	f	n-φb	Weight (lb)
1 1/2"	6.496	5.000	3.882	2.874	0.689	0.063	4-φ0.630	19.842
2"	7.008	5.984	4.744	3.622	0.748	0.063	4-φ0.748	40.124
2 1/2"	7.480	7.008	5.492	4.114	0.886	0.063	4-φ0.748	51.809
3"	7.992	7.480	6.004	5.000	0.945	0.063	4-φ0.748	68.343
4"	9.016	9.016	7.500	6.181	0.945	0.063	8-φ0.748	109.129
5"	10.000	10.000	8.504	7.303	1.024	0.063	8-φ0.866	127.868
6"	10.512	10.984	9.508	8.504	1.024	0.063	8-φ0.866	167.992
8"	11.496	13.504	11.752	10.630	1.142	0.063	8-φ0.866	275.578

NO.	DESCRIPTION	QTY	MATERIAL
1	BODY	1	A216 WCB
2	SEAT RING	2	A216+STL
3	WEDGE	1	A216+13Cr
4	STEM	1	A182 F6a
5	GASKET	1	SS304+Graphite
6	BONNET	1	A216 WCB
7	STUD	-	A193 B7
8	NUT	-	A194 2H
9	BACKSEAT	1	A216+13Cr
10	PACKING	1	Graphite
11	PIN	2	SS304
12	GLAND BOLT	2	A193 B7
13	GLAND NUT	2	A194 2H
14	BUSHING	1	A182 F6a
15	GLAND	1	A216 WCB
16	STEM NUT	1	ZcuAl10Fe3 Bronze
17	LUBRICATOR	1	Cu
18	RETAINING NUT	1	CS
19	HANDWHEEL	1	A47
20	H. W. LOCK NUT	1	CS

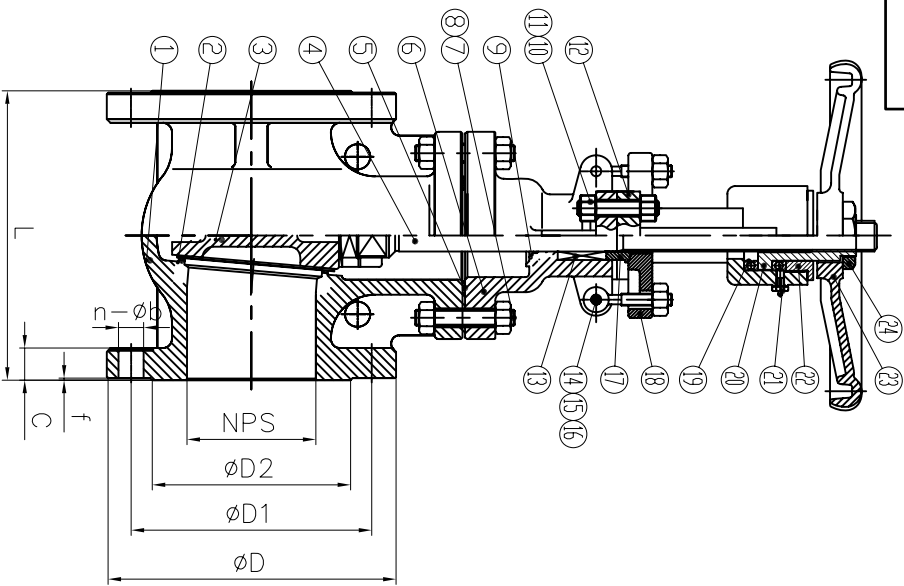
ANIX®

ANIX VALVE CO., LTD
Flange Gate Valve
150LB, WCB

GA40H5F/150

SCALE

MARK	BEFORE MODIFIED	AFTER MODIFIED	DATE
DRAW.		APP.	
CHK.		DATE	

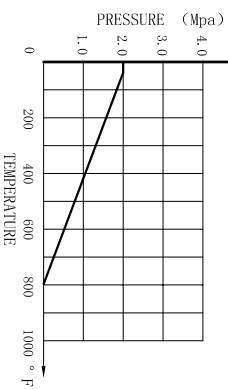


- NOTE:
1. Design and Manufacture for valve according to API 600.
 2. Face-to-face dimensions for valve according to ASME B16.10-2009.
 3. End flange dimensions for valve according to ASME B16.5-2009.
 4. Inspection and Test for valve according to API 598-2009.

NPS	L	D	D1	D2	C	f	n-φb	Weight (lb)
10"	12,992	15,984	14,252	12,756	1,220	0.063	12-φ0.984	392.423
12"	14,016	19,016	17,008	15,000	1,260	0.063	12-φ0.984	632.727
14"	15,000	20,984	18,740	16,260	1,378	0.063	12-φ1.142	-

Nominal pressure 150LB

Test pressure	Shell test	3.0	test medium	water	Test temperature	normal temperature
	seal test	2.2		air		
Applicable medium	Gas seal test	0.6	water, oil, gas	air	Test temperature	normal temperature
	test	0.6		air		
Applicable temperature	-20~797°F					



NO.	DESCRIPTION	Q'TY	MATERIAL
24	H. W. LOCK NUT	1	CS
23	HANDWHEEL	1	A47
22	RETAINING NUT	1	CS
21	LUBRICATOR	1	Cu
20	STEM NUT	1	ZcuA110Fe3 Bronze
19	BEARING	2	CS
18	GLAND	1	A216 WCB
17	BUSHING	1	A182 F6a
16	GLAND NUT	2	A194 2H
15	GLAND BOLT	2	A193 B7
14	PIN	2	SS304
13	PACKING	1	Graphite
12	YOKE	1	A216 WCB
11	NUT	-	A194 2H
10	STUD	-	A193 B7
9	BACKSEAT	1	A216+13Cr
8	NUT	-	A194 2H
7	STUD	-	A193 B7
6	BONNET	1	A216 WCB
5	GASKET	1	SS304+Graphite
4	STEM	1	A182 F6a
3	WEDGE	1	A216+13Cr
2	SEAT RING	2	A216+STL
1	BODY	1	A216 WCB

ANIX®

ANIX VALVE CO., LTD

Flange Gate Valve
150LB, WCB

GA40H5F/150

MARK	BEFORE MODIFIED	AFTER MODIFIED	DATE
DRAW.		APP.	
CHK.		DATE	

SCALE