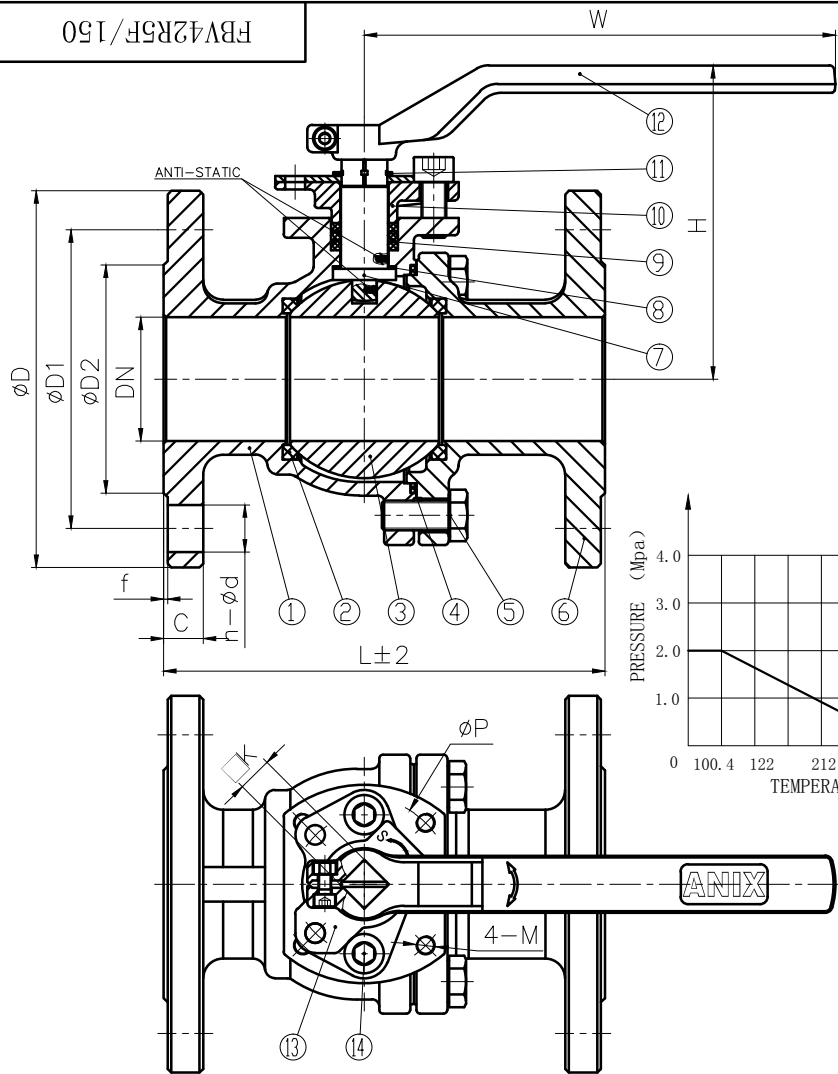
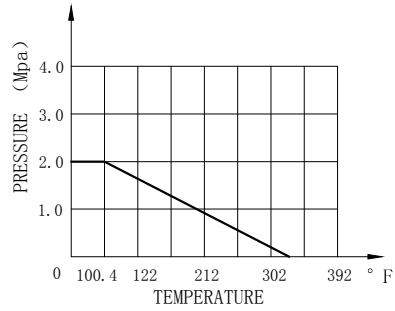


FBV42R5F/150



NPS	L	D	D1	D2	C	f	n-φd	W	H	K	P	M	Weight (lb)
1/2"	4.252	3.543	2.374	1.374	0.394	0.063	4-φ0.63	5.118	3.189	0.354	1.654	MO.197	4.034
3/4"	4.606	3.937	2.752	1.689	0.433	0.063	4-φ0.63	5.118	3.307	0.354	1.654	MO.197	5.071
1"	5.000	4.331	3.126	2.000	0.472	0.063	4-φ0.63	6.299	3.583	0.433	1.969	MO.236	6.371
1 1/4"	5.512	4.528	3.500	2.500	0.512	0.063	4-φ0.63	6.299	3.740	0.433	1.969	MO.236	9.127
1 1/2"	6.496	4.921	3.874	2.874	0.591	0.063	4-φ0.63	7.874	4.646	0.551	2.756	MO.315	11.949
2"	7.008	5.906	4.752	3.626	0.630	0.063	4-φ0.748	7.874	4.961	0.551	2.756	MO.315	16.248
2 1/2"	7.480	7.087	5.500	4.126	0.709	0.063	4-φ0.748	9.449	5.394	0.551	2.756	MO.315	25.794
3"	7.992	7.480	6.000	5.000	0.748	0.063	4-φ0.748	10.630	6.378	0.669	4.016	MO.394	31.967
4"	9.016	9.055	7.500	6.189	0.945	0.063	8-φ0.748	12.598	7.402	0.669	4.016	MO.394	51.809



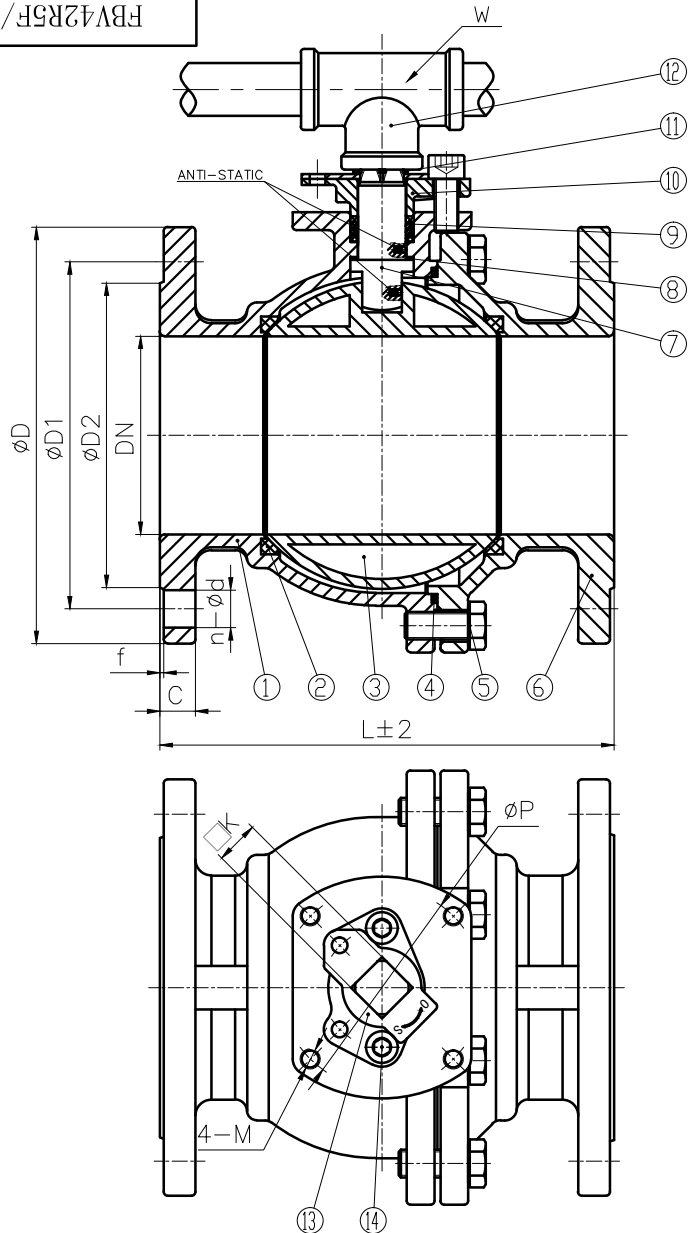
14	HEXAGON HEAD BOLT	2	A193 B8
13	STOPPER	1	SS304
12	HANDLE	1	STAINLESS STEEL
11	SNAP RING	1	SS304
10	GLAND	1	A351 CF8
9	PACKING	-	Graphite
8	STEM WASHER	1	RPTFE
7	STEM	1	A276 316
6	BONNET	1	A216 WVCB
5	BOLT	-	A193 B8
4	GASKET	1	SS+Graphite
3	BALL	1	SS316
2	SEAT	2	RPTFE
1	BODY	1	A216 WCB

Nominal pressure			150LB				
Test pressure	Shell test	3.0	MPa	test medium	water	Test temperature	normal temperature
	seal test	2.2			air		
	Gas seal test	0.6					
Applicable medium		water,oil,gas					
Applicable temperature		-20~356°F					

NOTE:
 1.Design and Manufacture for valve according to ANSI B16.34-2009.
 2.Face-to-face dimensions for valve according to ASME B16.10-2009.
 3.End flange dimensions for valve according to ASME B16.5-2009.
 4.Inspection and Test for valve according to API 598-2009.
 5.Design according to API 607.

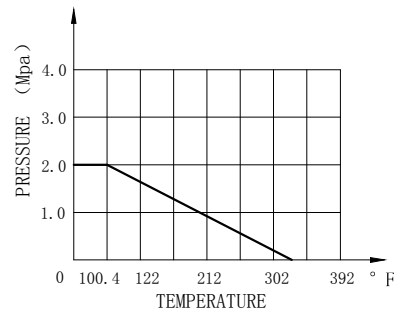
NO.	DESCRIPTION	Q' TY	MATERIAL
ANIX®		ANIX VALVE USA	
MARK		SCALE	
DRA.		DATE	
CHK.		DATE	
		FBV42R5F/150	

FBV42R5F/150



NOTE:

1. Design and Manufacture for valve according to ANSI B16.34-2009.
2. Face-to-face dimensions for valve according to ASME B16.10-2009.
3. End flange dimensions for valve according to ASME B16.5-2009.
4. Inspection and Test for valve according to API 598-2009.
5. Design according to API 607.



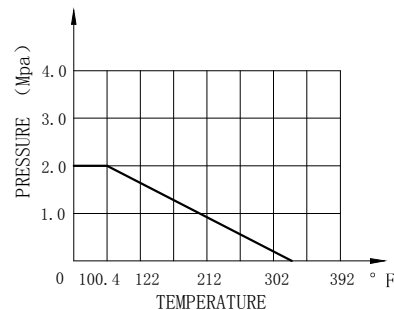
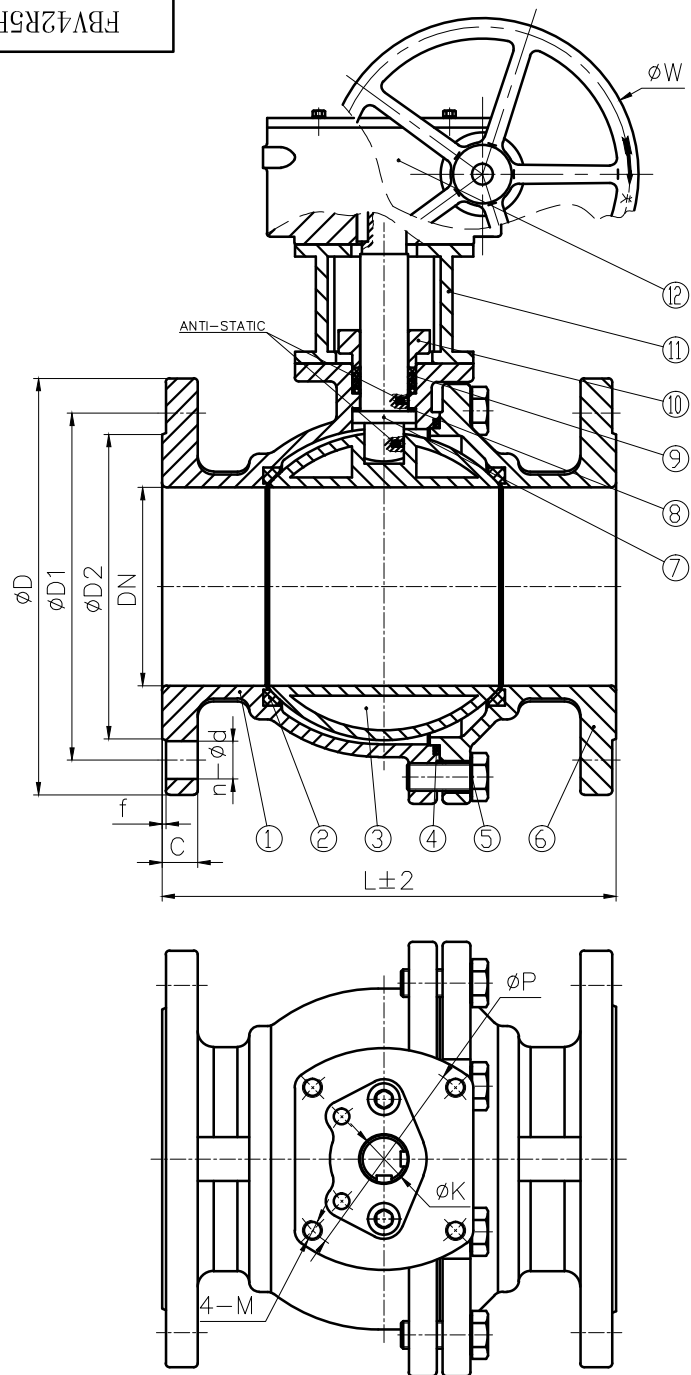
Nominal pressure		150LB					
Test pressure	Shell test	3.0	MPa	test medium	water	Test temperature	normal temperature
	seal test	2.2			air		
	Gas seal test	0.6					
Applicable medium		water,oil,gas					
Applicable temperature		-20~356°F					

NPS	L	D	D1	D2	C	f	n-Ød	W	K	P	M	Weight (lb)
5"	14.016	10.039	8.500	7.311	0.945	0.063	8-Ø0.866	21.654	0.827	4.016	M0.394	69.997
6"	15.512	11.024	9.500	8.500	1.024	0.063	8-Ø0.866	25.591	0.827	4.921	M0.472	109.129
8"	17.992	13.583	11.752	10.626	1.142	0.063	8-Ø0.866	31.496	1.063	4.921	M0.472	176.370

14	HEXAGON HEAD BOLT		2	A193 B8	
13	STOPPER		1	SS304	
12	HANDLE		1	STAINLESS STEEL	
11	SNAP RING		1	SS304	
10	GLAND		1	A351 CF8	
9	PACKING		-	Graphite	
8	STEM WASHER		1	RPTFE	
7	STEM		1	A276 316	
6	BONNET		1	A216 WCB	
5	BOLT		-	A193 B8	
4	GASKET		1	SS+Graphite	
3	BALL		1	SS316	
2	SEAT		2	RPTFE	
1	BODY		1	A216 WCB	
NO.	DESCRIPTION		Q' TY	MATERIAL	

				ANIX[®]		ANIX VALVE USA	
						Flange Ball Valve 150LB,WCB,Fire Safe	
MARK	BEFORE MODIFIED	AFTER MODIFIED	DATE				
DRA.		APP.				SCALE	
CHK.		DATE					
						FBV42R5F/150	

FBV42R5F/150



Nominal pressure		150LB					
Test pressure	Shell test	3.0	MPa	test medium	water	Test temperature	normal temperature
	seal test	2.2			air		
	Gas seal test	0.6					
Applicable medium		water,oil,gas					
Applicable temperature		-20~356°F					

- NOTE:
- 1.Design and Manufacture for valve according to ANSI B16.34-2009.
 - 2.Face-to-face dimensions for valve according to ASME B16.10-2009.
 - 3.End flange dimensions for valve according to ASME B16.5-2009.
 4. Inspection and Test for valve according to API 598-2009.
 - 5.Design according to API 607.

NPS	L	D	D1	D2	C	f	n-ød	W	K	P	M	Weight (lb)
10"	20.984	15.945	14.252	12.748	1.220	0.063	12-ø0.984	15.748	1.772	5.512	M0.630	352.740
12	WORM GEAR ACTUATOR				1	/						
11	YOKE				1	A351 CF8						
10	GLAND				1	A351 CF8						
9	PACKING				-	Graphite						
8	STEM WASHER				1	RPTFE						
7	STEM				1	A276 316						
6	BONNET				1	A216 WCB						
5	BOLT				-	A193 B8						
4	GASKET				1	SS+Graphite						
3	BALL				1	SS316						
2	SEAT				2	RPTFE						
1	BODY				1	A216 WCB						
NO.	DESCRIPTION		Q' TY		MATERIAL							
						ANIX [®]		ANIX VALVE USA				
								Flange Ball Valve 150LB,WCB,Fire Safe				
MARK	BEFORE MODIFIED	AFTER MODIFIED	DATE									
DRA.		APP.							SCALE			
CHK.		DATE										
												FBV42R5F/150