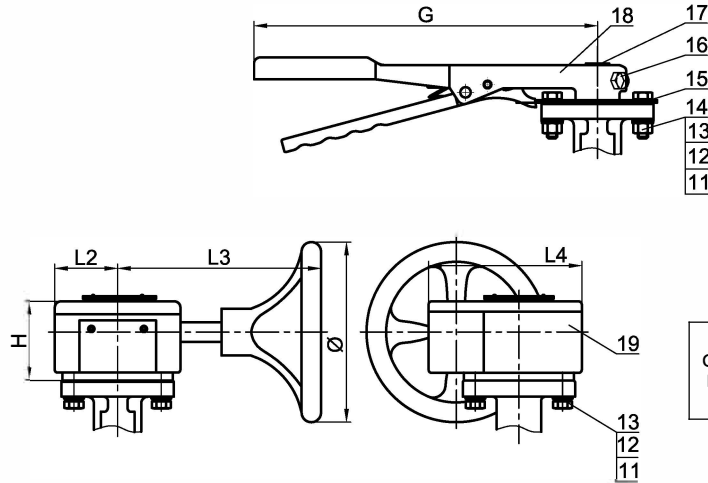
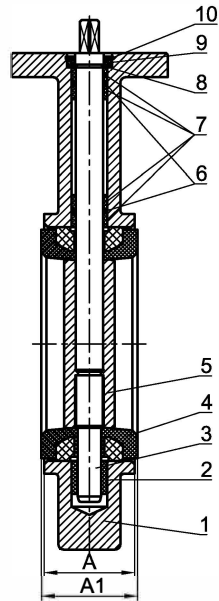
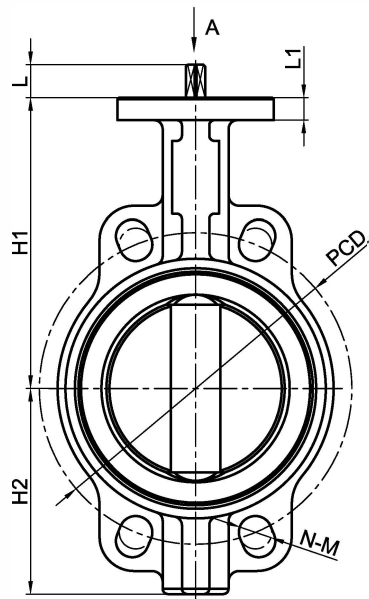
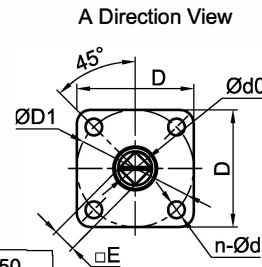


ANIX



| Lever | DN | Inch | G |
|-------|---------|------|-------|
| | 50-80 | 2-3 | 7.68 |
| | 100-125 | 4-5 | 10.47 |
| | 150-200 | 6-8 | 12.91 |

| Gear Box | DN | Inch | L1 | L2 | L3 | H | Ø |
|----------|---------|------|------|------|------|------|-------|
| | 50-150 | 2-6 | 2.03 | 6.24 | 4.80 | 2.40 | 5.91 |
| | 200-250 | 8-10 | 2.83 | 8.19 | 6.65 | 2.99 | 10.94 |
| | 300 | 12 | 3.07 | 8.35 | 7.48 | 3.27 | 10.94 |



| | | |
|------|---------------|----------------|
| 19 | Gear Box | CAST IRON |
| 18 | Lever | MALLEABLE IRON |
| 17 | Plastic Cover | ABS |
| 16 | Hex Bolt | SS316 |
| 15 | Notch Plate | SS430 |
| 14 | Nut | SS316 |
| 13 | Plain Washer | SS316 |
| 12 | Lock Washer | SS316 |
| 11 | Hex Bolt | SS316 |
| 10 | Circlip | 65Mn |
| 9 | Washer | Carbon Steel |
| 8 | Circlip | 65Mn |
| 7 | Bushing | Bronze/PTFE |
| 6 | O-Ring | NBR |
| 5 | Disc | DI+Ni plated |
| 4 | Seat | NBR |
| 3 | Shaft | SS410 |
| 2 | Bushing | Bronze/PTFE |
| 1 | Body | DI |
| Item | Name | Material |

| DN | Inch | H1 | H2 | A | A1 | D | ØD1 | Ød0±0.03 | n-Ød | L1 | □E | L | ANSI Class150 | |
|-----|------|-------|------|------|------|------|------|----------|---------|------|------|------|---------------|----------|
| | | | | | | | | | | | | | PCD | N-Ø |
| 50 | 2 | 5.56 | 2.70 | 1.65 | 1.81 | 1.97 | 1.97 | 0.47 | 4-Ø0.28 | 0.39 | 0.35 | 0.87 | 4.75 | 4-Ø0.75 |
| 65 | 2.5 | 5.92 | 2.99 | 1.75 | 1.93 | 1.97 | 1.97 | 0.47 | 4-Ø0.28 | 0.39 | 0.35 | 0.87 | 5.50 | 4-Ø0.75 |
| 80 | 3 | 6.16 | 3.74 | 1.75 | 1.93 | 1.97 | 1.97 | 0.47 | 4-Ø0.28 | 0.39 | 0.35 | 0.87 | 6.00 | 4-Ø0.75 |
| 100 | 4 | 6.61 | 4.33 | 2.01 | 2.18 | 2.76 | 2.76 | 0.55 | 4-Ø0.39 | 0.43 | 0.43 | 0.98 | 7.50 | 4-Ø0.75 |
| 125 | 5 | 7.34 | 5.09 | 2.15 | 2.31 | 2.76 | 2.76 | 0.69 | 4-Ø0.39 | 0.43 | 0.55 | 0.98 | 8.50 | 8-Ø0.87 |
| 150 | 6 | 8.10 | 5.59 | 2.15 | 2.33 | 2.76 | 2.76 | 0.69 | 4-Ø0.39 | 0.43 | 0.55 | 0.98 | 9.50 | 8-Ø0.87 |
| 200 | 8 | 9.08 | 6.93 | 2.35 | 2.52 | 2.76 | 2.76 | 0.87 | 4-Ø0.39 | 0.55 | 0.67 | 0.98 | 11.75 | 8-Ø0.87 |
| 250 | 10 | 10.63 | 8.35 | 2.64 | 2.83 | 4.02 | 4.02 | 1.10 | 4-Ø0.47 | 0.63 | 0.87 | 1.06 | 14.25 | 12-Ø0.98 |
| 300 | 12 | 12.91 | 9.78 | 2.97 | 3.13 | 4.02 | 4.02 | 1.10 | 4-Ø0.47 | 0.63 | 0.87 | 1.06 | 17.00 | 12-Ø0.98 |

Technical specification :
 1. Wafer type butterfly valve
 2. Top flange ISO 5211
 3. Flange connection ANSI CL150
 4. Working pressure 10 bar
 5. Temperature range :
 NBR: 5°F/+176°F
 EPDM: 14°F/+248°F

| | | | | | | | | | | | | |
|---|--|----|---------------------|-------------|--|--|---------------------|------------|--|--|--|--|
| Manufacturer/Supplier: ANIX VALVE USA | | | SHOP DRAWING | | | | FIG NO. 2309 | | | | | |
| <h1 style="margin: 0;">ANIX®</h1> | | | | | | | | DRAWN | | Date | | TITLE: Wafer Type Butterfly Valve, Ductile Iron Body, Buna seat, DI+NI Disc, Pinless |
| | | | | | | | | Checked | | Date | | |
| | | | | | | | | Approved | | Date | | |
| | | | | | | | | Projection | | ALL DIM'S IN: mm DO NOT SCALE FROM DRAWING | | DRAWING NO. : |
| REV. | | BY | APP. | Description | | | Date | | | | | |