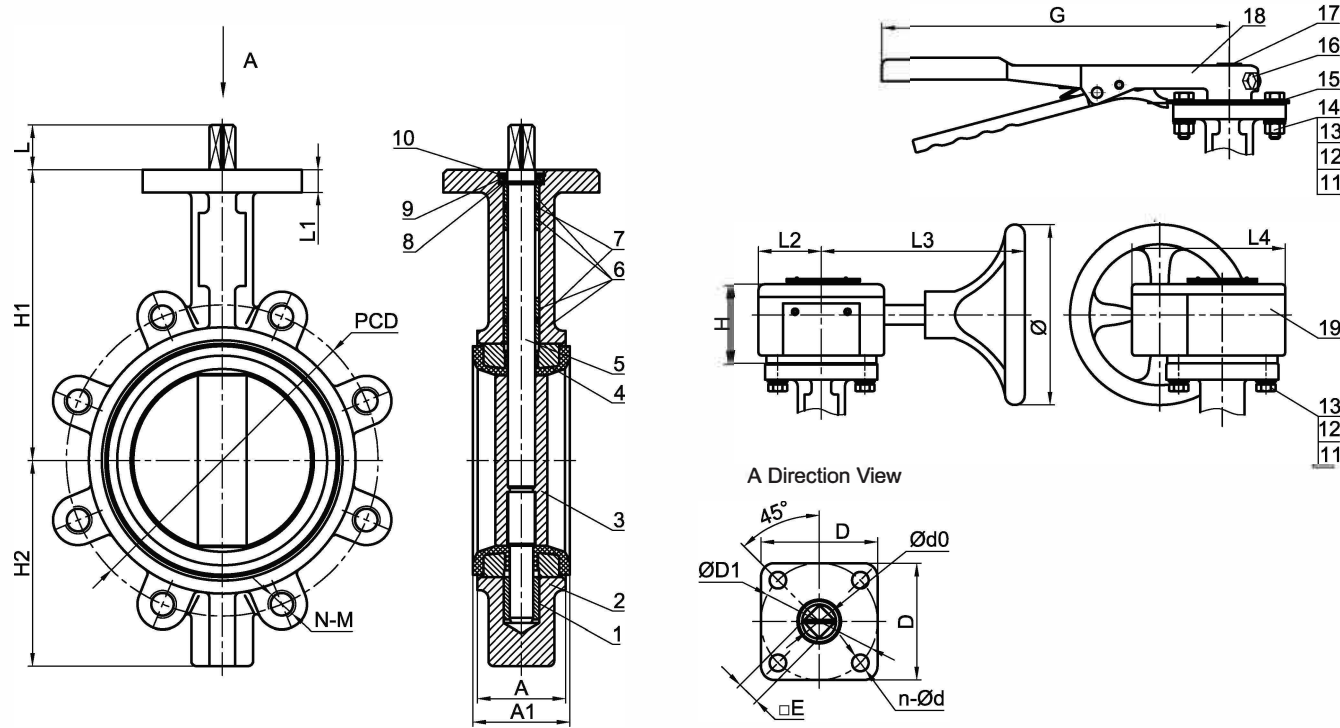


ANIX



Lever	DN	Inch	G
	50-80	2-3	7.68
	100-125	4-5	10.47
	150-200	6-8	12.91

Gear Box	DN	Inch	L1	L2	L3	H	Ø
	50-150	2-6	2.03	6.24	4.80	2.40	5.91
	200-250	8-10	2.83	8.19	6.65	2.99	10.94
	300	12	3.07	8.35	7.48	3.27	10.94

Item	Name	Material
19	Gear Box	
18	Lever	
17	Plastic Cover	ABS
16	Screw	SS201
15	Notch Plate	SS430
14	Nut	SS201
13	Plain Washer	SS201
12	Lock Washer	SS201
11	Hex Bolt	SS201
10	Circlip	65Mn
9	Washer	Carbon Steel
8	Circlip	65Mn
7	O-Ring	EPDM
6	Bushing	Bronze/PTFE
5	Shaft	SS410
4	Seat	EPDM
3	Disc	CF8M
2	Body	DI
1	Bushing	Bronze/PTFE

DN	Inch	H1	H2	A	A1	D	ØD1	Ød0±0.03	n-Ød	L1	□E	L	ANSI Class150	
													PCD	N-Ø
50	2	5.56	2.70	1.65	1.81	1.97	1.97	0.47	4-Ø0.28	0.39	0.35	0.87	4.75	4-Ø0.75
65	2.5	5.92	2.99	1.75	1.93	1.97	1.97	0.47	4-Ø0.28	0.39	0.35	0.87	5.50	4-Ø0.75
80	3	6.16	3.74	1.75	1.93	1.97	1.97	0.47	4-Ø0.28	0.39	0.35	0.87	6.00	4-Ø0.75
100	4	6.61	4.33	2.01	2.18	2.76	2.76	0.55	4-Ø0.39	0.43	0.43	0.98	7.50	4-Ø0.75
125	5	7.34	5.09	2.15	2.31	2.76	2.76	0.69	4-Ø0.39	0.43	0.55	0.98	8.50	8-Ø0.87
150	6	8.10	5.59	2.15	2.33	2.76	2.76	0.69	4-Ø0.39	0.43	0.55	0.98	9.50	8-Ø0.87
200	8	9.08	6.93	2.35	2.52	2.76	2.76	0.87	4-Ø0.39	0.55	0.67	0.98	11.75	8-Ø0.87
250	10	10.63	8.35	2.64	2.83	4.02	4.02	1.10	4-Ø0.47	0.63	0.87	1.06	14.25	12-Ø0.98
300	12	12.91	9.78	2.97	3.13	4.02	4.02	1.10	4-Ø0.47	0.63	0.87	1.06	17.00	12-Ø0.98

Technical specification :

1. Wafer type butterfly valve
2. Top flange ISO 5211
3. Flange connection ANSI CL150
4. Working pressure 10 bar
5. Temperature range :
 NBR: 5°F/+176°F
 EPDM: 14°F/+248°F

Manufacturer/Supplier: ANIX VALVE USA			SHOP DRAWING			FIG NO. 2509								
						DRAWN			Date			TITLE: Lug Type Butterfly Valve Ductile Iron Body, Buna Seat, DI+NI Disc, Pinless		
						Checked			Date					
						Approved			Date					
			Projection			ALL DI M'SI Nmm DO NOT SCALE FROM DRAWING			DRAWING NO. :					
REV.			BY			APP.			Description			Date		