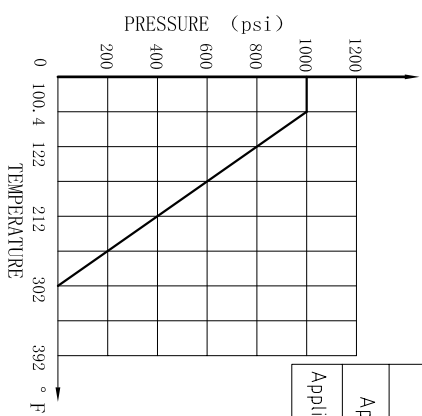
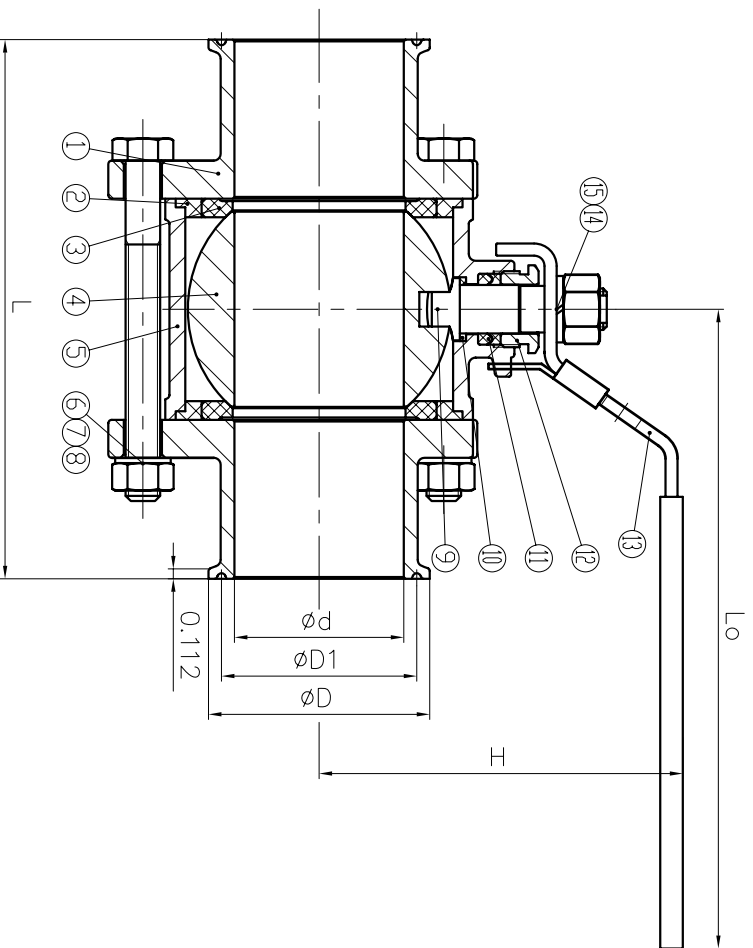


0001/C93F6C/1000



NOTE:
 1. Design and Manufacture for valve according to ASME B16.34.
 2. Inspection and Test for valve according to API 598.

Nominal pressure			1000Psi			
Test pressure	Shell test	10.4	Test medium	Water	Test temperature	Normal temperature
	Seal test	7.6		Air		
Gas seal test	0.6		Water, Oil, Gas			
Applicable medium			-20~302°F			
Applicable temperature						

NPS	L	d	D1	D	Lo	H	Weight (lb)
1/2"	3.937	0.591	1.713	1.988	4.134	2.126	1.477
3/4"	3.937	0.768	1.713	1.988	4.724	2.579	1.764
1"	4.724	0.984	1.713	1.988	5.512	2.835	2.590
1 1/4"	5.118	1.260	1.713	1.988	5.906	3.189	3.549
1 1/2"	5.512	1.496	1.713	1.988	6.693	3.780	4.178
2"	6.142	1.929	2.224	2.520	7.283	4.134	-
2 1/2"	7.717	2.520	3.287	3.583	8.661	4.724	-
3"	8.976	3.031	3.819	4.173	10.623	5.295	14.848
4"	9.528	3.898	4.331	4.685	12.402	6.181	-

15	NUT	1	A194 8
14	SPRING WASHER	1	304
13	HANDLE	1	STAINLESS STEEL
12	GLAND	1	304
11	PACKING	1	PTFE
10	STEM WASHER	1	PTFE
9	STEM	1	A276 316
8	NUT	-	A194 8
7	SPRING WASHER	-	304
6	HEXAGON HEAD BOLT	-	A193 B8
5	BODY	1	A351 CF8M
4	BALL	1	SS316
3	SEAT	2	PTFE
2	GASKET	2	PTFE
1	BONNET	2	A351 CF8M
NO.	DESCRIPTION	Q'TY	MATERIAL
ANIX®			
ANIX VALVE CO., LTD			
3PC Ball Valve			
1000PSI, Clamped-Package			
BV83F6C/1000			
MARK	BEFORE MODIFIED	AFTER MODIFIED	SCALE
DRAW.			
CHK.			