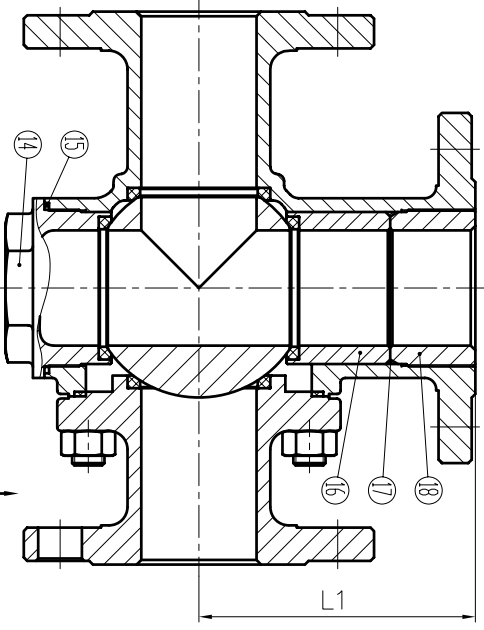
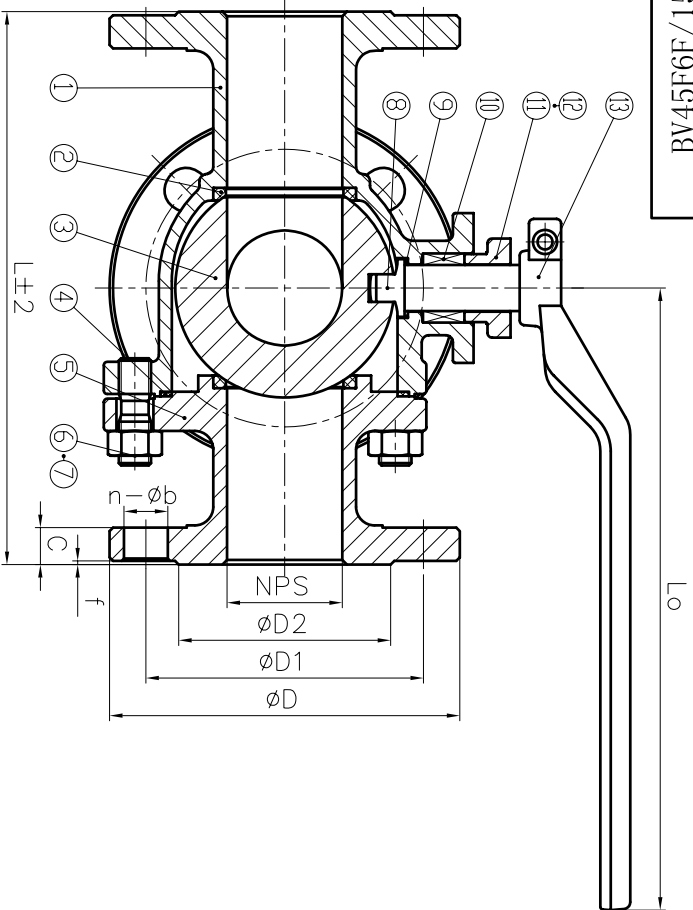


051/J9F6F/BV

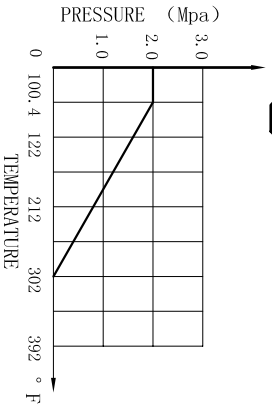


NPS	L	L1	D	D1	D2	C	f	n-Øb	L0	Weight (lb)
1/2"	5.906	2.953	3.543	2.374	1.374	0.394	0.063	4-Ø0.630	5.118	
3/4"	6.299	3.150	3.937	2.740	1.690	0.433	0.063	4-Ø0.630	5.118	
1"	7.089	3.543	4.331	3.126	2.000	0.472	0.063	4-Ø0.630	5.906	
1 1/4"	7.874	3.937	4.528	3.500	2.500	0.512	0.063	4-Ø0.630	5.906	
1 1/2"	8.661	4.331	4.921	3.874	2.874	0.591	0.063	4-Ø0.630	8.268	
2"	9.445	4.724	5.906	4.752	3.626	0.630	0.063	4-Ø0.748	8.268	
2 1/2"	10.236	5.118	7.087	5.500	4.126	0.709	0.063	4-Ø0.748	9.445	
3"	11.024	5.512	7.480	6.000	5.000	0.748	0.063	4-Ø0.749	10.630	

NOTE:

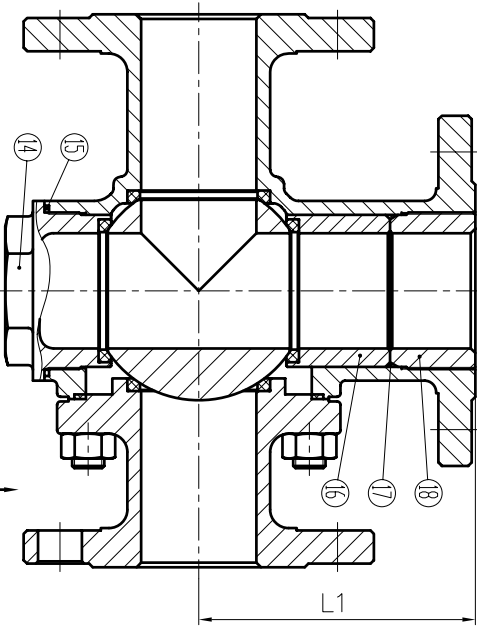
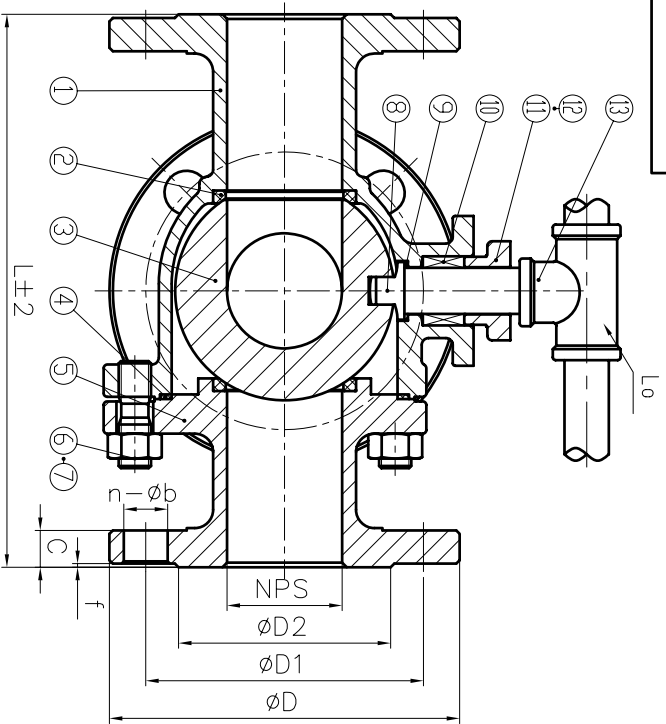
1. Design and Manufacture for valve according to ANSI B16.34-2009.
2. Face-to-face dimensions for valve according to ASME B16.10-2009.
3. End Flange dimensions for valve according to ASME B16.5-2009.
4. Inspection and Test for valve according to API 598-2009.

Nominal pressure		150LB	
Shell Test	3.0	Test medium	water
Test pressure	2.2	Test medium	air
Gas seal Test	0.6	Test temperature	normal temperature
Applicable medium	water,oil,gas		
Applicable temperature	-20~302°F		



18	BACK NUT	1	A351 CF8M
17	O RING	1	NBR
16	SEAT	1	A351 CF8M
15	GASKET	1	PTFE
14	COVER	1	A351 CF8M
13	HANDLE	1	STAINLESS STEEL
12	HEXAGON HEAD BOLT	2	A193 B8M
11	GLAND	1	A351 CF8
10	PACKING	-	PTFE
9	STEM WASHER	1	PTFE
8	STEM	1	A276 316
7	NUT	-	A194 8M
6	BOLT	-	A193 B8M
5	BONNET	1	A351 CF8M
4	GASKET	1	PTFE
3	BALL	1	SS316
2	SEAT	4	PTFE
1	BODY	1	A351 CF8M
NO.	DESCRIPTION	Q'TY	MATERIAL
<b>ANIX®</b>			
MARK BEFORE MODIFIED		AFTER MODIFIED	
DRW.	APP.	DATE	SCALE
ANIX VALVE CO., LTD		3 Way T Port	
Ball Valve 150LB		BV45F6F/150	

051/J9JG54VB  
BV45F6F



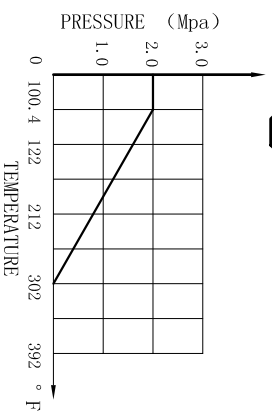
NPS	L	L1	D	D1	D2	C	f	n-Øb	Lo	Weight (lb)
4"	12.598	6.299	9.055	7.500	6.189	0.945	0.063	8-Ø0.748	19.685	
5"	15.457	7.480	10.039	8.500	7.311	0.945	0.063	8-Ø0.866	21.654	
6"	17.323	8.661	11.024	9.500	8.500	1.024	0.063	8-Ø0.866	25.591	
8"	21.654	10.827	13.583	11.752	10.626	1.142	0.063	8-Ø0.866	31.496	

NOTE:

1. Design and Manufacture for valve according to ANSI B16.34-2009.
2. Face-to-face dimensions for valve according to ASME B16.10-2009.
3. End Flange dimensions for valve according to ASME B16.5-2009.
4. Inspection and Test for valve according to API 598-2009.

18	BACK NUT	1	A351 CF8M
17	O RING	1	NBR
16	SEAT	1	A351 CF8M
15	GASKET	1	PTFE
14	COVER	1	A351 CF8M
13	HANDLE	1	STAINLESS STEEL
12	HEXAGON HEAD BOLT	2	A193 B8M
11	GLAND	1	A351 CF8
10	PACKING	-	PTFE
9	STEM WASHER	1	PTFE
8	STEM	1	A276 316
7	NUT	-	A194 8M
6	BOLT	-	A193 B8M
5	BONNET	1	A351 CF8M
4	GASKET	1	PTFE
3	BALL	1	SS316
2	SEAT	4	PTFE
1	BODY	1	A351 CF8M
NO.	DESCRIPTION	Q'TY	MATERIAL

Nominal pressure		150LB	
Shell test	3.0	Test medium	water
Test pressure	2.2	Test temperature	normal temperature
Gas seal test	0.6	Test medium	air
Gas seal test	0.6	Test temperature	normal temperature
Applicable medium	water,oil,gas		
Applicable temperature	-20~302°F		



MARK	BEFORE MODIFIED	AFTER MODIFIED	DATE	<p style="text-align: center;"><b>ANIX</b><sup>®</sup></p>	<p style="text-align: center;">3 Way T Port Ball Valve 150LB</p>
DRAW.	APP.	DATE	SCALE		
CHK.	DATE			BV45F6F/150	

ANIX VALVE CO., LTD