

# Wiring and Port Assignment Information For WHP BC3 (Blue 3-port MAC Valve)

## External Wastegate:

1. Boost and Side
2. Top of Wastegate
3. FILTER

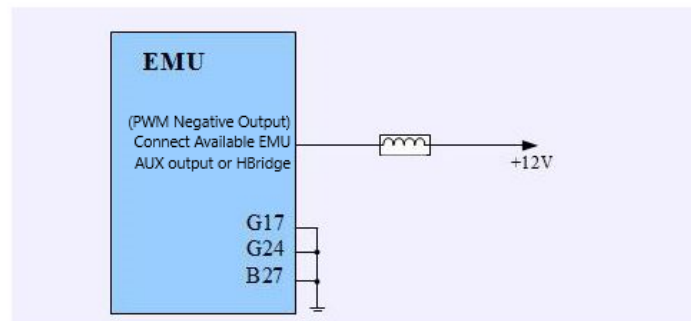
## Internal Wastegate:

1. FILTER
2. Actuator
3. Boost inlet



## **BOOST CONTROL SOLENOID WIRING**

**BLACK**  
ENGINE MANAGEMENT UNIT



Wiring diagram of boost control solenoid