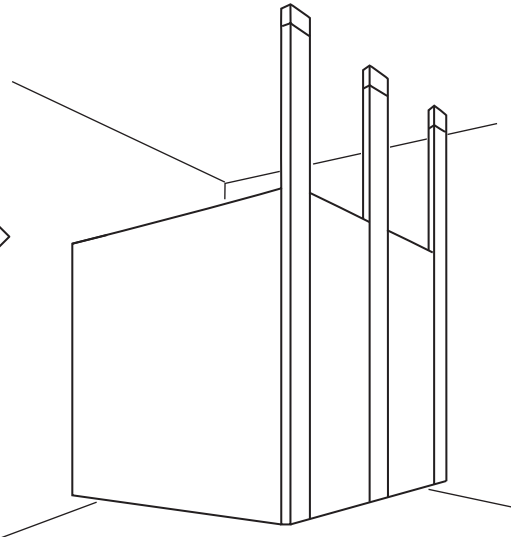
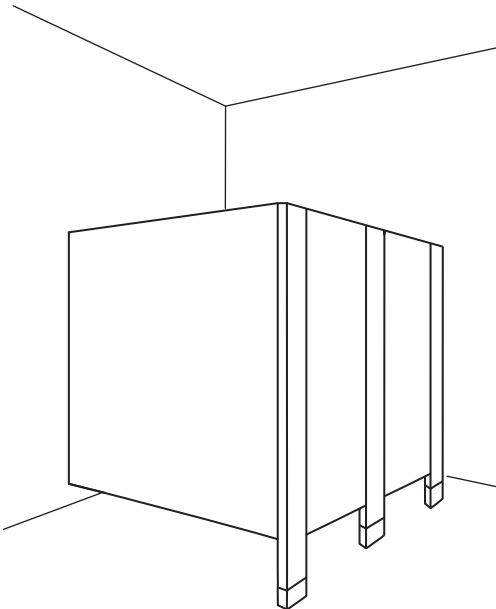


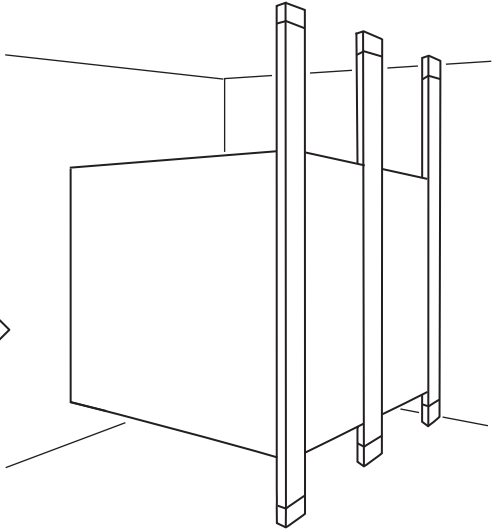
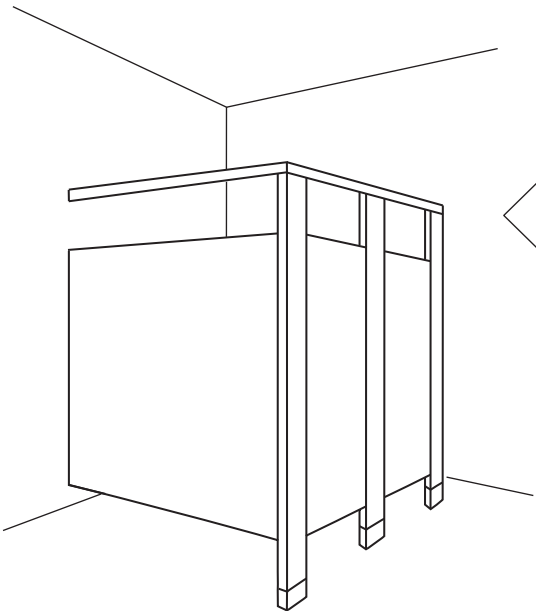
INSTALLATION INSTRUCTIONS

1090 SierraSeries® TOILET PARTITIONS

Includes Institutional Hardware Option .67




IMPORTANT:
Storage and Handling Information on last page. For faster, easier installation, please review these instructions thoroughly prior to installation.





BUILDING VALUE SINCE 1906


HARDWARE PARTS LIST


MOUNTING SCREWS


- 


#1002499 Sheet Metal Screw - 7/16", #12 x 7/16"
Pin-in-Head Torx screw to attach mounting brackets-to-panels and headrail-to-stiles
- 

#1002664 Button Head Screw - 3/8", #10-24 x 3/8"
Pin-in-Head Torx screw to attach to sex-bolt fastener through 1/2" panel
- 

#1002665 Button Head Screw - 5/8", #10-24 x 5/8"
Pin-in-Head Torx screw to attach to sex-bolt fastener through 3/4" stiles/doors
- 

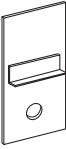
#1002666 Sex Bolt - 1/4" Diameter, 1/2" Barrel
#10-24 (4.8mm) Pin-in-Head Torx fastener for all through-bolted locations
- 

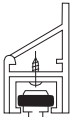
#1002495 Wall Screw - 2", #12 x 2"
Pin-in-Head Torx screw for attaching wall brackets to stud backing
- 


#1000077 Flat Head Latch Screw - 1/4-20 x 1"
Phillip screw for attaching Latch Track to brass inserts in door
- 


#1002491 Machine Screw - 1/2", 1/4-20 x 1/2"
Pin-in-Head Torx screw for attaching Hinges and optional Door Stops to brass inserts in door

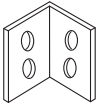
HEADRAIL HARDWARE


- 

#1000978 Headrail End Cap
- 

#1002385 84" Headrail
- 

#1000345 120" Headrail
- 


#1000375 Curtain Track
- 

#1000862 Curtain Carrier Packet
(7 hooks and screws included)
- 

#1000927 Headrail Bracket

STILE HARDWARE

- 

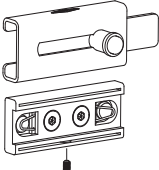
#1002189 Shoe Retainer Screw
- 


#1002185 Shoe Retainer Clip
- 

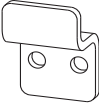
#1002701 Floor Anchor Packet
- 

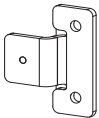
#1000803 Ceiling Anchor Packet


DOOR HARDWARE


- 

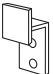
#1040-42 Latch Packet
(contains: Latch Track, Latch Cover, Setscrew and Flathead Latch screws)
- 

#1000900 Allen Wrench - 5/64" (2mm)
Allen Wrench for Setscrew to secure Latch Cover to Latch Track (for #1040-42 Latch Packet)
- 

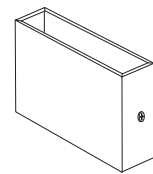
#1040-35 Inswing Keeper
Keeper for inswing doors latching to inline stiles
- 

#1040-36 Outswing Keeper
Keeper for outswing doors latching to inline stiles
- 

#1040-39 Inswing Perpendicular Keeper
Keeper for inswing and outswing doors latching to perpendicular stiles and walls
- 

#1000312 Door Handle Packet
(Contains: Door Handle and Mounting Screws)
- 

#1000869 Clothes Hook

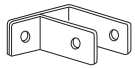


Replacement Shoe Guide

Stile Width	Bobrick Part Number
3" (76mm)	1002175
4" (102mm)	1002176
5" (127mm)	1002184
6" (152mm)	1002177
7" (178mm)	1002197
8" (203mm)	1002178
10" (254mm)	1002179
12" (305mm)	1002180
16" (406mm)	1002181
18" (457mm)	1002196
20" (508mm)	1002182
24" (610mm)	1002183

HEAVY-DUTY HARDWARE PARTS LIST

MOUNTING BRACKETS



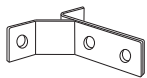
#1000975 F-Bracket
Bracket to attach 1/2" panel to perpendicular wall



#1000972 U-Bracket
Bracket to attach 1/2" panel to perpendicular 3/4" stile



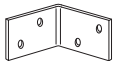
#1000351 L-Bracket
Bracket to attach external 1/2" panel to perpendicular 3/4" stile



#1000974 Y-Bracket
Bracket to attach 3/4" stile to perpendicular wall



#1000282 Alcove Bracket
Bracket to attach 1/2" panel to inline 3/4" stile



#1002322 45° Angle Bracket
Bracket to attach panels/stiles/walls at non-90° angles

HINGE HARDWARE



#1002331 J-Hinge Packet



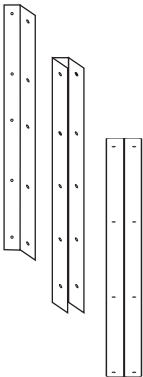
#1002156 Hinge Cam



#1002330 L-Hinge Packet

INSTITUTIONAL HARDWARE PARTS LIST

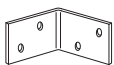
MOUNTING BRACKETS



#1001371 Angle Bracket
Bracket to attach 1/2" panel to perpendicular wall

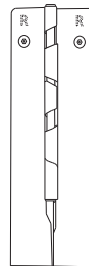
#1001368 U-Channel
Bracket to attach 1/2" panel to perpendicular 3/4" stile

#1080-76 Z-Bracket
Bracket to attach 1/2" panel to inline 3/4" stile



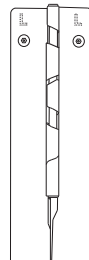
#1002322 45° Angle Bracket
Bracket to attach panels/stiles/walls at non-90° angles

HINGE HARDWARE


















#1002920 Piano Hinge
Full-height piano hinge for Left-hand Inswing or Right-hand Outswing doors

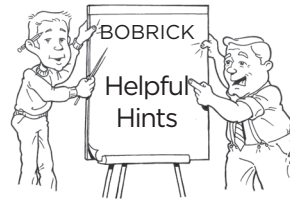
#1002921 Piano Hinge
Full-height piano hinge for Left-hand Outswing or Right-hand Inswing doors



RECOMMENDED TOOLS.

CAUTION: Be sure to use proper safety gear.

1.  Chalk Line
2.  Self Leveling Laser Device
3.  Masking Tape (for laying out holes on floors/walls/ceilings to be drilled)
4.  Tape Measure and Pencils
5.  Center Punch
6.  Electric and/or Battery-Powered Drill
7.  Drill Bits
 #19 (.166")
 3/16" (4.7mm)
 3/8" (9.5mm) for Concrete/Masonry
 7/16" (11mm)
8.  Screwdrivers/Screwdriver Bits flathead and phillips, #2 and #3
9.  Pin-in-Head Torx Screw Driver - (to install door hardware)—Supplied by Bobrick.
10.  Shims
11.  Adjustable Supports
1-1/2" to 12" (40-105mm)
12.  Level
13.  Wrench - Adjustable 9/16" (14mm) open end (2 req'd. for adjusting hex nuts on anchors)
14.  Allen Wrench - 5/64" (2mm) (to install door latch)—Supplied by Bobrick.
15.  Hack Saw
16.  Hammer



1. Organize hardware necessary to install each component.
2. When calculating distances to centerlines, stiles and doors are 3/4" (19mm) thick; panels are 1/2" (13mm) thick.

3. Use panel-to-stile offsets indicated on the Layout Sheets.
4. Doors are NOT pre-drilled for clothes hook.
5. Stiles are NOT pre-drilled for keepers (to allow easier stile leveling and greater field adjustment).
6. Remove debris from all drilled holes.
7. Through-drill holes through Solid Color Reinforced Composite (SCRC) material as instructed.

RECOMMENDED HOLE SIZES:

17/64" (6.7mm): THROUGH-DRILLED HOLE:

3/16" (4.7mm): NON-THROUGH-DRILLED PILOT HOLE.

#19 (.166") x 2": WALL PILOT HOLE.

8. Drill holes perpendicular to material.
NOTE: Do NOT drill holes or attach screws to material at an angle.
9. To avoid stripping material, tighten #1002499 Sheet Metal Screws with moderate drill speed and medium torque setting (~15).
10. To reduce stile leveling necessary, rough level floor anchors before installing stiles (see STEP 3, pg 8).

IMPORTANT NOTES

1. Walls and floors in buildings are **NOT** level. For quality installation, plumb brackets and components in all three dimensions using a level prior to marking, drilling or installing.
2. Structural support in walls and floors is not furnished by Bobrick. Confirm adequate backing is present in wall and floors prior to installation.
3. This installation booklet must be used in conjunction with the Bobrick Layout Sheets.
4. Verify receipt of appropriate hardware by cross-referencing against hardware list.

STEP 1 LAY OUT ALL ANCHOR LOCATIONS

LAYOUT EXAMPLES.

Fig. 1a: Front-Entry Corner Layout.

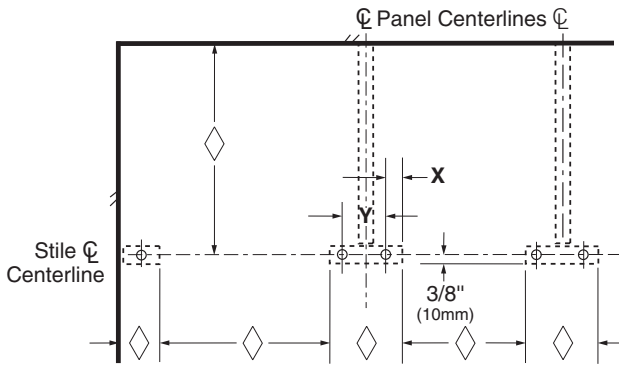
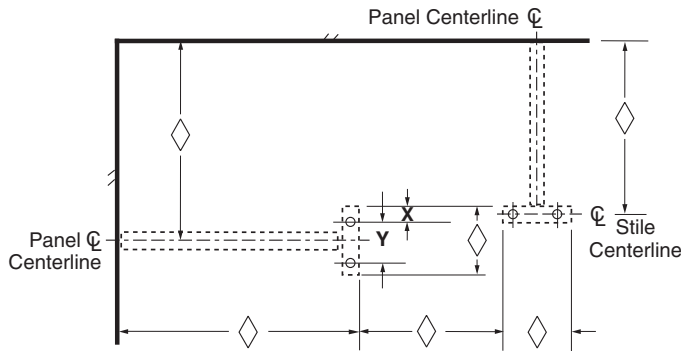


Fig. 1c: Alcove Open Layout.



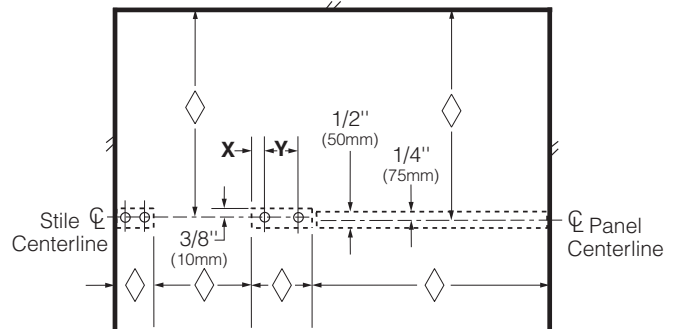
NOTE: The center stile is perpendicular to panel.

LEGEND:

◊ Obtain Dimension from Bobrick Layout Sheet.

- Refer to Bobrick layout sheets for component locations on your specific application.
- Using a measuring tape, verify layout sheet with actual room dimensions.
- From back wall, measure and mark the location of the stile centerline. Stile centerline = Distance from wall to outside edge of stile (from layout sheet) minus 3/8" (10mm).
- From side wall at centerline of stile, measure dimensions for floor and ceiling anchors according to layout sheet. Refer to drilling table for center-to-center distances between anchors. Centerline of anchor from edge of stile is 5/8" (16mm); dimension on 3" (8cm) stile is 1-1/2" (38mm).

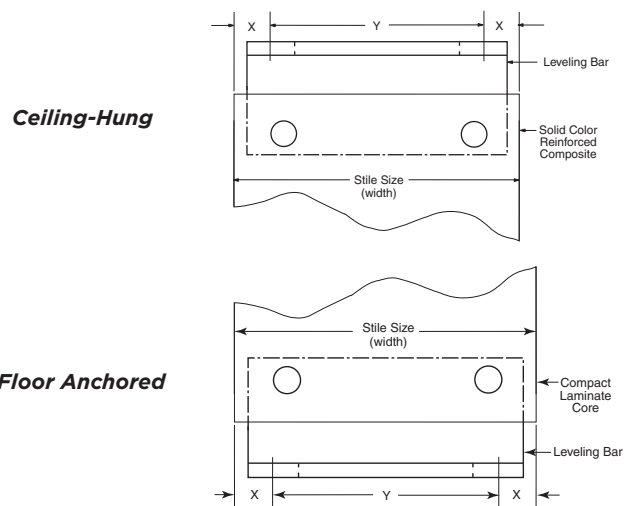
Fig. 1b: Floor-to-Ceiling-Hung or Overhead-Braced Alcove Closed Layout.



NOTE: The center stile is perpendicular to panel.

Fig. 1d: Detail of Typical Stile

NOTE: 16", 18", 20", 24" (41, 46, 51, 61cm) stiles have 2 leveling bars. Use the 2 outside slots for the 2 anchors.



DRILLING TABLE FOR DRILLING FLOOR OR CEILING ANCHORS			
Stile Size (width)	No. of Holes	X Dim.	Y Dim.
3" (8cm)	1	1 1/2" (38mm)	—
4" (10cm)	2	5/8" (16mm)	2 3/4" (7cm)
5" (13cm)	2	5/8" (16mm)	3 3/4" (10cm)
6" (15cm)	2	5/8" (16mm)	4 3/4" (12cm)
7" (18cm)	2	5/8" (16mm)	5 3/4" (16cm)
8" (20cm)	2	5/8" (16mm)	6 3/4" (17cm)
10" (25cm)	2	5/8" (16mm)	8 3/4" (22cm)
12" (30cm)	2	5/8" (16mm)	10 3/4" (27cm)
16" (41cm)	2	5/8" (16mm)	14 3/4" (38cm)
18" (46cm)	2	5/8" (16mm)	16 3/4" (43cm)
20" (51cm)	2	5/8" (16mm)	18 3/4" (48cm)
24" (61cm)	2	5/8" (16mm)	22 3/4" (58cm)

STEP 2 INSTALL FLOOR ANCHORS

Fig. 2a: Finished Detail of Floor Anchor.

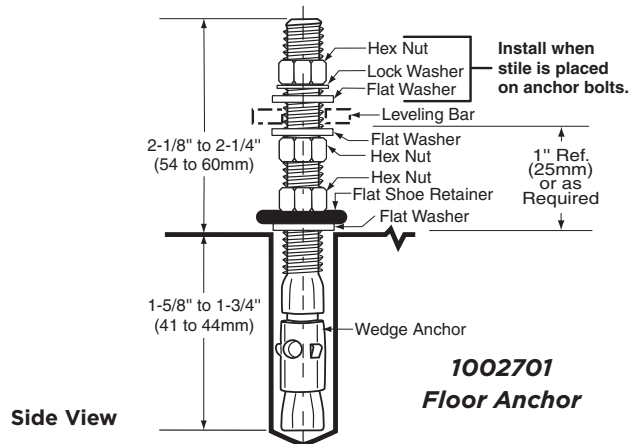
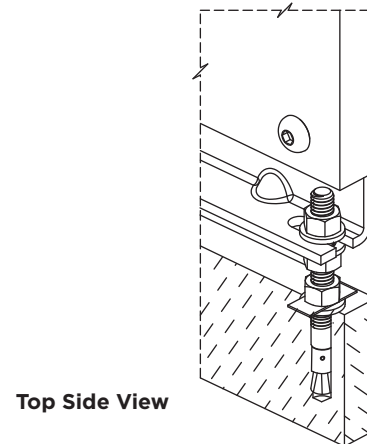


Fig. 2b: Floor Anchor Attached to Stile. (3-Dimensional View)



PARTS NEEDED:

#1002701 Floor Anchor Packet
(includes: 3 Hex Nuts, 3 Flat Washers, Wedge Anchor, Lock Washer, Flat Shoe Retainer)

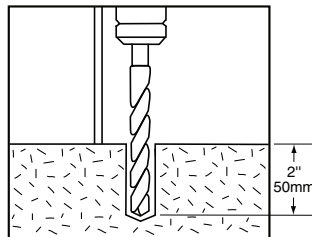
TOOLS NEEDED:

Hammer
 Drill
 3/8" (9.5mm) Concrete/Masonry Bit
 Wrench (*Adjustable or 9/16" open end*)

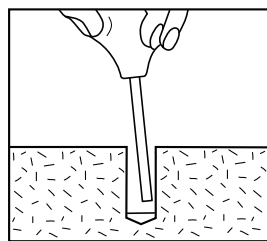
HINTS/NOTES:

3/8" x 2" hole needed to install #1002701 Floor Anchor. Use concrete/masonry drill bit.
 Floor Anchors for wood floors are available upon request.

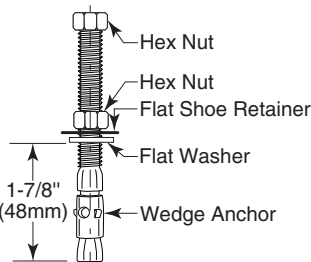
- A. Drill a 3/8" (9.5mm) hole to 2" (50mm) minimum depth.



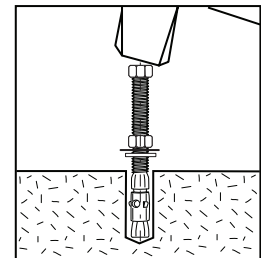
- B. Remove all loose material/debris from hole.



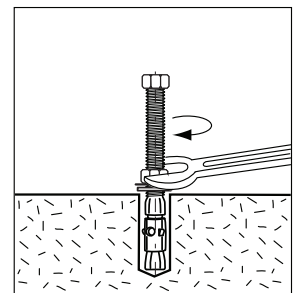
- C. Add Flat Washer, Flat Shoe Retainer, Hex Nut to Wedge Anchor so that Flat Washer is 1-7/8" (48mm) from the bottom of the anchor to ensure proper installation depth. Thread 2nd Hex Nut loosely to top of Anchor to prevent stripping or damaging threads during installation.



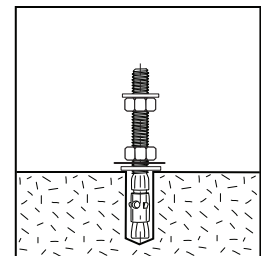
- D. Insert Anchor into hole with threaded end up. Use hammer to drive the Anchor into hole until Flat Washer is flush with concrete surface (*depth set in STEP C*).



- E. Use Wrench to tighten Hex Nut until anchor is firmly set (*2-4 full turns past finger tight position*). Anchor bolt will move up approx. 1/16" (1.6mm) for every full turn of Hex Nut.



- F. Spin down top Hex Nut. Add Flat Washer.



NOTE: Do NOT add 3rd Hex Nut, Lock Washer, and 3rd Flat Washer until stiles are attached to Floor Anchor.

STEP 2 INSTALL CEILING ANCHORS

PARTS NEEDED:

#1000803 Ceiling Anchor Packet
(includes: 5 Hex Nuts, 3 Flat Washers,
Bevel Washer, 2 Split Lock Washers, Spacer,
Flat Shoe Retainer)

TOOLS NEEDED:

Hammer
Drill
7/16" (11mm) Bit
Wrench (Adjustable or 9/16" open end)

CEILING ANCHORS.

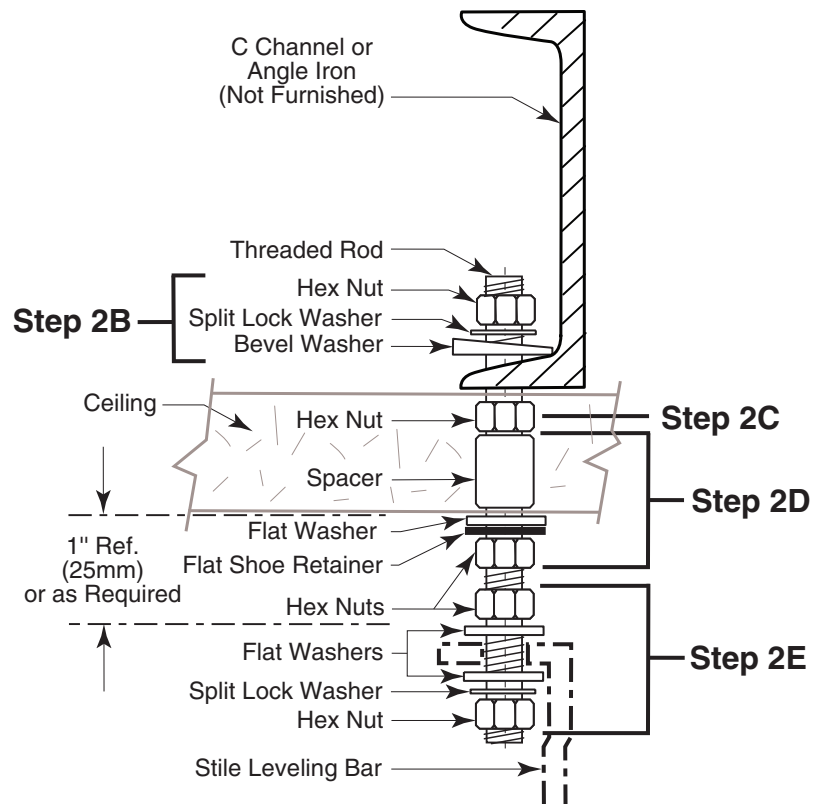
NOTE: Provisions must be in the construction of the building to support ceiling-hung toilet partitions. Structure in ceiling, not furnished by Bobrick, must support at least 215 lb per SCRC partition, and must be sufficiently rigid to withstand swinging motion of toilet partition doors and impact of doors against stiles. Actual mounting system, including lateral bracing, if required, must be designed by the architect or structural engineer, and furnished by others. Ceiling anchors are to be installed before finished ceiling is applied if working with a finished ceiling. If an angle iron is used as the backing you may drill and tap into angle iron, insert threaded rod, then hex nuts (2) to secure anchor prior to placing the stile leveling bar onto the rod. For Bobrick recommendations, refer to Bobrick Form No. TB-32.

- Drill 7/16" (11mm) diameter hole through structural beam, "C" channel, or Angle Iron. Insert threaded rod through hole. Rod is furnished standard 6" (150mm) length. Longer rods should be purchased locally if required.
- Drop a bevel washer and lock washer over rod. Screw on one hex nut.
- Install second hex nut against bottom of beam and tighten.
- Install spacer, flat washer, shoe retainer, and a third hex nut. Make sure shoe retainer is in proper position to accept shoe (see **Fig. 2a** for proper shoe retainer position).
- Remaining flat washers (2), lock washer (1), and hex nut (1), as shown in **Fig. 2a.**, to be installed later as shown in Fig. 4b

NOTE: Do NOT tighten until ready to install partitions.

- Repeat process for each ceiling anchor.

Fig. 2a: Detail of Ceiling Anchor.



STEP 3 ROUGH LEVEL FLOOR ANCHORS

PARTS NEEDED:

None

TOOLS NEEDED:

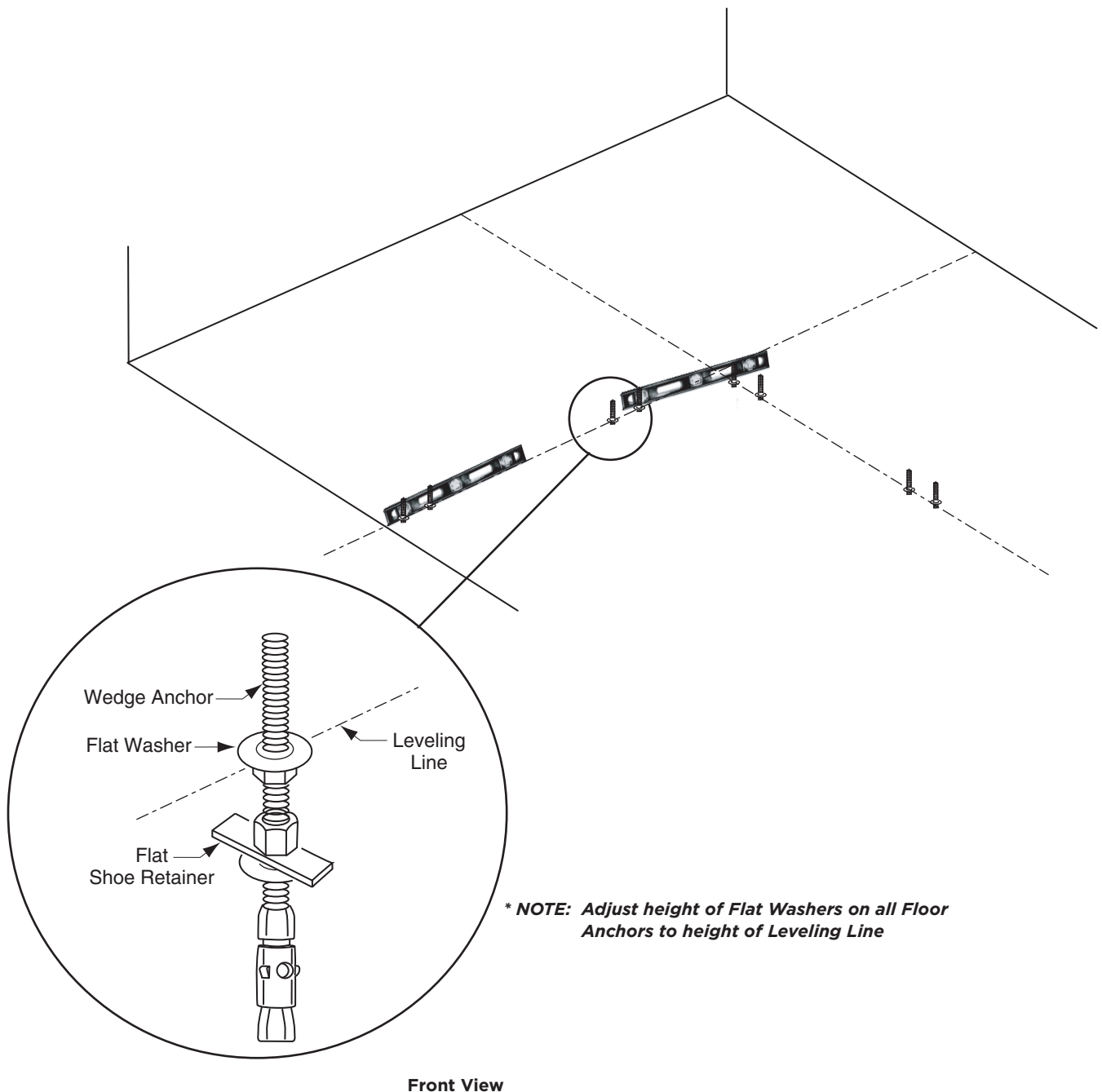
Level

HINTS/NOTES:

To quickly level a long bank of toilet partitions, attach string to the Floor Anchors located at each end of the room and level the string. Screw/unscrew Hex Nuts to set Flat Washers (from STEP 2F, pg. 6) on all Floor Anchors to the height of the string.

- Place level on the Flat Washers of the two (2) Floor Anchors installed nearest wall (from STEP 2F, pg. 6).
- Tighten/loosen 2nd Hex Nut on one of the Floor Anchors until the two Flat Washers are level.
- Repeat rough leveling procedure for all Floor Anchors in room.

Fig. 3: Rough Leveling Floor Anchors.



STEP 4 INSTALL WALL BRACKETS

PARTS NEEDED:

- #1000975 F-Brackets
- #1000974 Y-Brackets
- #1002495 Wall Screws - 2"

TOOLS NEEDED:

- Tape Measure
- Contractor's Pencil
- Level or Plumb-bob
- Drill
- #19 (.166" or 4.2mm) Drill Bit

- T27 Pin-in-Head Torx Driver
- Hex Driver Shank Extension

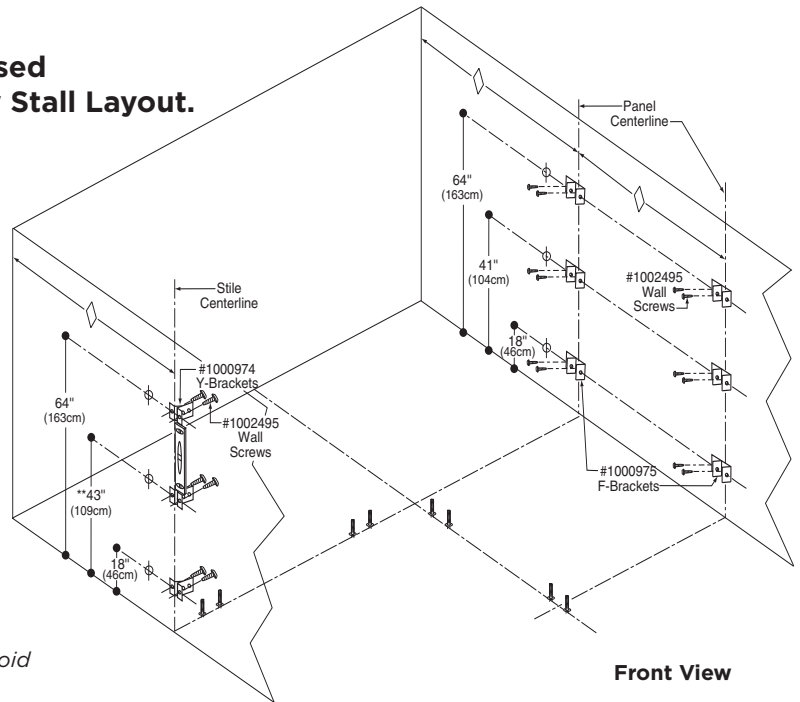
HINTS/NOTES:

#19 (.166") x 2" pilot hole needed to fasten wall brackets to stud backing using #1002495 Wall Screws.

INSTALLING WALL BRACKETS:

- Use tape measure and level to plumb, measure and mark centerlines of all stiles and panels on walls.
- Using the #1000975 F-Bracket and #1000974 Y-Bracket as templates, measure and mark the location of all bracket mounting holes (see **Fig. 4a**).
- Drill #19 (.166") x 2" pilot hole into stud backing or use other anchors appropriate for wall construction (not furnished by Bobrick).
- Secure wall brackets to wall with #1002495 Wall Screws using the T27 Driver and Hex Driver Shank Extension attached to drill.

Fig. 4a: Bracket Mounting Heights for Closed Alcove with Adjoining Front-Entry Stall Layout.



NOTE: Panel centerline is not always on stile centerline. Refer to Bobrick Layout Sheets for panel offsets.

⊕ These mounting points require wall backing.

◇ Obtain dimension from Bobrick Layout Sheet.

** Mount Bracket for Stiles at specified location to avoid interference with hardware.

Fig. 4b: Mounting Brackets for Front-Entry Corner Layout.

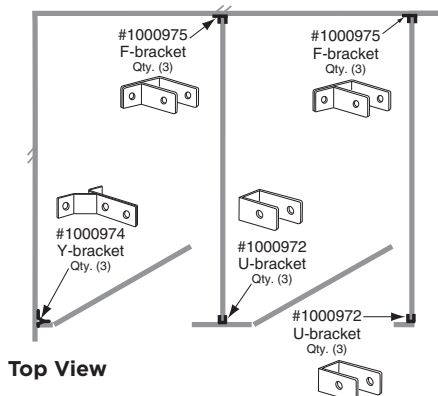
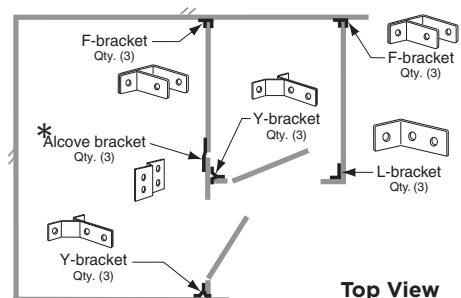


Fig. 4c: Mounting Brackets for Closed Alcove with Adjoining Front-Entry Stall.



***NOTE: 1002664 Button-Head Screw - 3/8" is used to secure #1002666 Sex Bolt on panel side of #1000282 Alcove Bracket.**

STEP 4 INSTALL WALL BRACKETS

PARTS NEEDED:

- #1001371 Angle Brackets
- #1002495 Wall Screws - 2"

TOOLS NEEDED:

- Tape Measure
- Contractor's Pencil
- Level or Plumb-bob
- Drill

- #19 (.166" or 4.2mm) Drill Bit
- T27 Pin-in-Head Torx Driver
- Hex Driver Shank Extension

HINTS/NOTES:

#19 (.166") x 2" pilot hole needed to fasten wall brackets to stud backing using #1002495 Wall Screws.

INSTALLING WALL BRACKETS:

- A. Use tape measure and level to plumb, measure and mark centerlines of all stiles and panels on walls.
- B. Using the #1001371 Angle Bracket as a template, measure and mark the location of all bracket mounting holes (see **Fig. 4a**).
- C. Drill #19 (.166") x 2" pilot hole into stud backing or use other anchors appropriate for wall construction (not furnished by Bobrick).
- D. Secure wall brackets to wall with #1002495 Wall Screws using the T27 Driver and Hex Driver Shank Extension attached to drill.

INSTITUTIONAL HARDWARE

Fig. 4a: Bracket Mounting Heights for Closed Alcove with Adjoining Front-Entry Stall Layout.

NOTE: Panel centerline is not always on stile centerline. Refer to Bobrick Layout Sheets for panel offsets.

- ⊕ These mounting points require wall backing.
- ◇ Obtain dimension from Bobrick Layout Sheet.

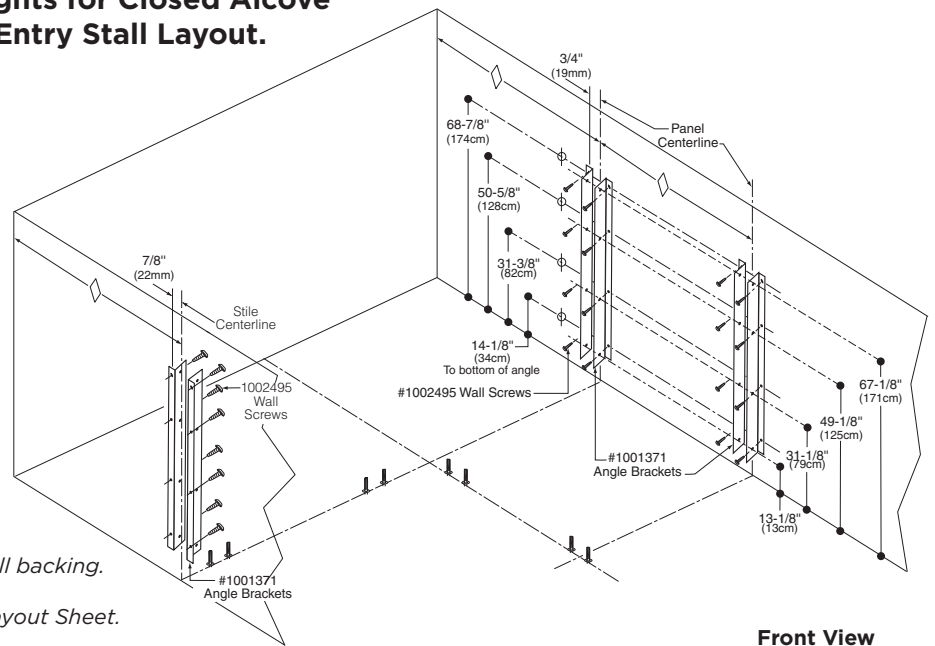


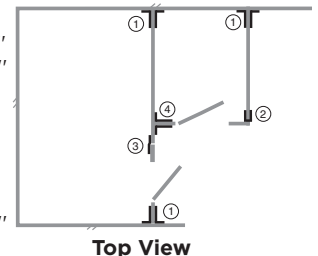
Fig. 4b: Mounting Brackets for Front-Entry Corner Layout.

1. 2 #1001371 Angle Bracket
8 #1002495 Wall Screw
8 #1002499 Sheet Metal Screw
2. 1 #1001368 U-Channel
8 #1002499 Sheet Metal Screw
4 #1002665 Button Head Screw 5/8"
4 #1002666 Sex Bolt



Fig. 4c: Mounting Brackets for Closed Alcove with Adjoining Front-Entry Stall.

3. 1 #1080-76 Z-Bracket
8 #1002666 Sex Bolt
4 #1002665 Button Head Screw 5/8"
4 #1002664 Button Head Screw 3/8"
4. 2 #1001371 Angle Bracket
8 #1002499 Sheet Metal Screw
8 #1002666 Sex Bolt
4 #1002664 Button Head Screw 3/8"



*** NOTE: #1002664 Button-Head Screw - 3/8" is used to secure #1002666 Sex Bolt on panel side of Panel Mounting Brackets.**

STEP 5 INSTALL STILE NEAREST WALL

PARTS NEEDED:

Stile connecting to wall
 Remaining components of #1002701 Floor Anchor
 (i.e., Flat Washer, Lock Washer, and Hex Nut)
 #1002665 Button Head Screw - 5/8"
 #1002666 Sex Bolt - 1/4" diameter, 1/2" barrel
 #1002245 Wall Post Packet

TOOLS NEEDED:

Contractor's Pencil
 Drill
 17/64" (6.7mm) Drill Bit
 T27 Pin-in-Head Torx Driver
 Wrench (Adjustable or 9/16" open end)

HINTS/NOTES:

17/64" (6.7mm) through-drilled hole needed to through-bolt brackets-to-stiles with #1002666 Sex Bolts.

- Place stile leveling bar on top of 2nd Flat Washer of Floor Anchor(s).
- Level stile vertically. Use contractor's pencil to mark hole locations on stile (using the #1000974 Y-Brackets installed on wall as a template).
- Remove stile and drill 17/64" (6.7mm) hole through stile at locations marked in STEP B.
- Again place stile leveling bar on top of 2nd Flat Washer of Floor Anchor(s).
- Place #1002666 Sex Bolt in the drilled hole on the exterior side of stile.
- Secure Sex Bolts to Y-Brackets with #1002665 Button Head Screws - 5/8" using drill equipped with T27 Driver.
- Add Flat Washer, Lock Washer and Hex Nut to Floor Anchor above stile leveling bar.
- Tighten Hex Nuts above/below leveling bar with wrench.

Fig. 5a: Installing Stile Nearest Wall.

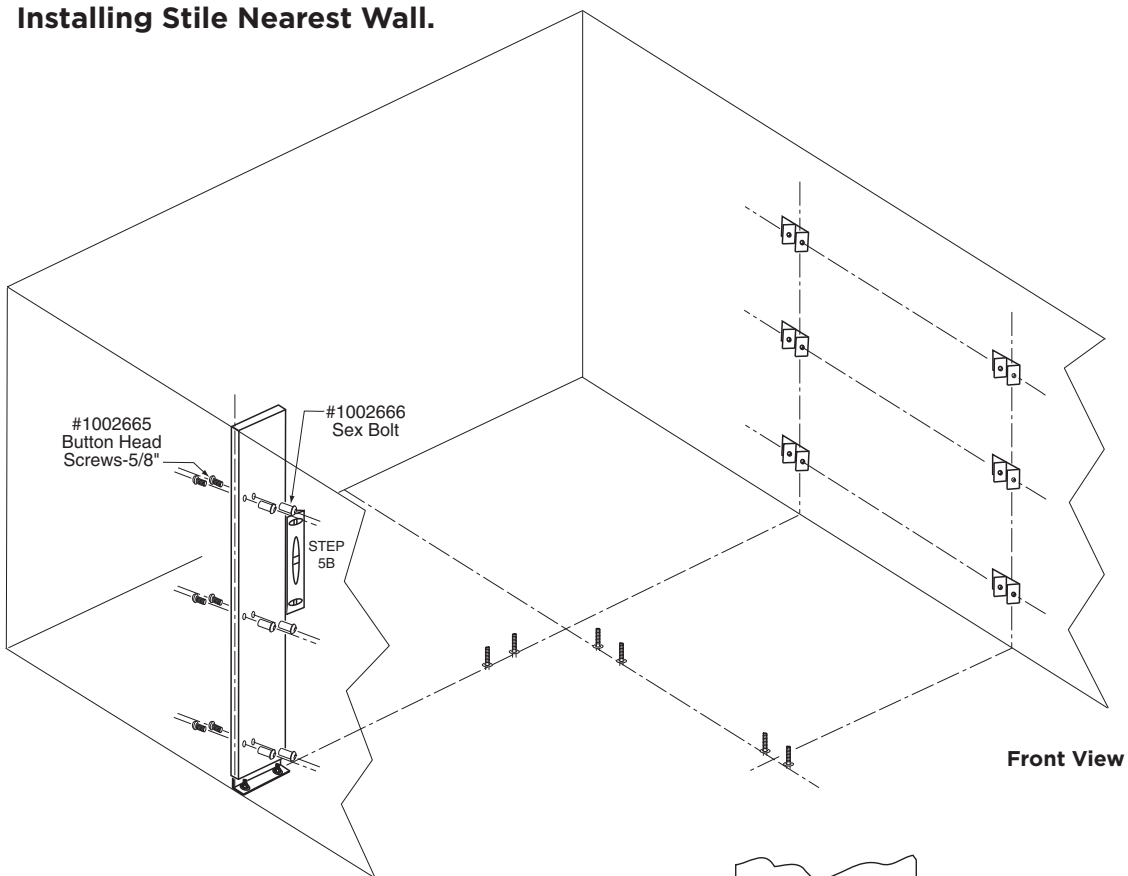
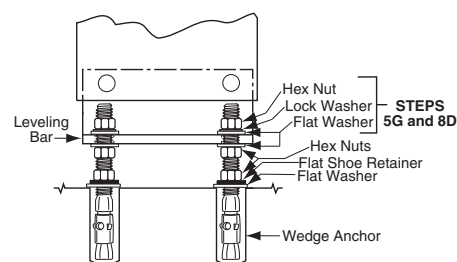


Fig. 5b: Stile Secured to Floor Anchor.



STEP 5 INSTALL WALL POSTS *(If required)*

HINTS/NOTES:

#19 (.166") x 2" pilot hole needed to fasten wall posts to stud backing using #1002495 Wall Screws.

INSTALLING WALL POSTS:

A. Determine the hole locations for required door swing for the Wall Post 1" x 1-1/2" (25 x 40mm). Outside edge of Wall Post should be in line with the outside edge of keeping stile.

NOTE: The wall must have adequate backing at mounting locations to support weight of door when hung.

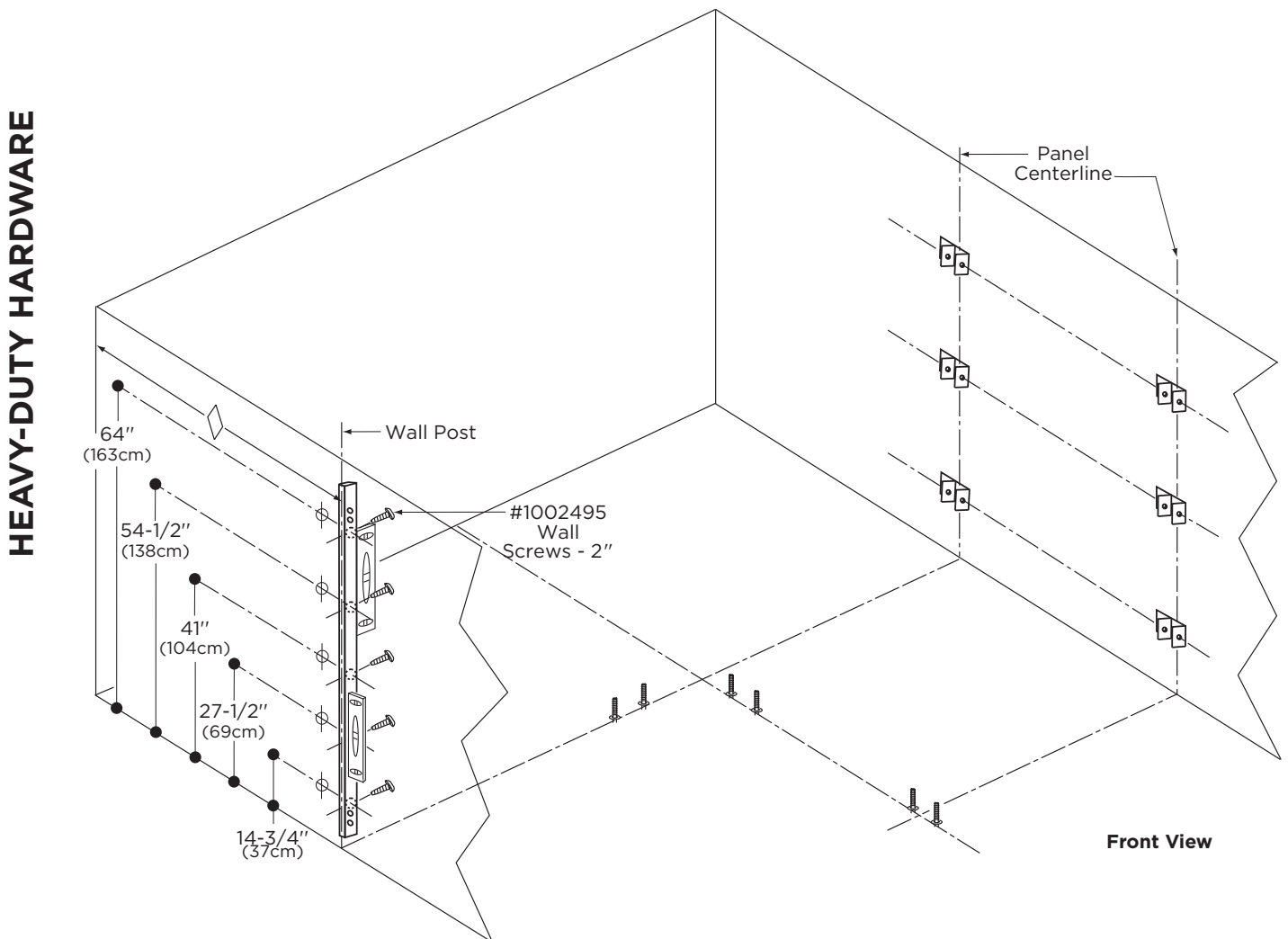
B. Level Wall Post in both directions on wall. Mark mounting hole locations on wall.

C. Drill #19 (.166") x 2" pilot hole into stud backing.

D. Secure Wall Post to wall with (5) #1002495 Wall Screws - 2". Install (2) Post End Caps and (5) Mounting Hole Plugs.

E. Attach door hinge with fasteners provided in #1002245 Wall Post Packet.

Fig. 5c: Installing Wall Posts to Wall.



NOTE: Panel centerline is not always on the stile centerline. Refer to Bobrick Layout Sheets for panel offsets.

⊕ These mounting points require wall backing.

◇ Obtain dimension from Bobrick Layout Sheet.

STEP 5 INSTALL STILE NEAREST WALL

PARTS NEEDED:

- Stile connecting to wall
- Remaining components of 1002701 Floor Anchor
(i.e., Flat Washer, Lock Washer, and Hex Nut)
- #1002665 Button Head Screw - 5/8"
- #1002666 Sex Bolt - 1/4" diameter, 1/2" barrel
- #1002245 Wall Post Packet

TOOLS NEEDED:

- Contractor's Pencil
- Drill
- 17/64" (6.7mm) Drill Bit
- T27 Pin-in-Head Torx Driver
- Wrench (*Adjustable wrench 9/16" open end*)
- Level

HINTS/NOTES:

3/16" (4.7mm) pilot hole size is needed to fasten brackets-to-stiles using #1002499 Sheet Metal Screws.

- A. Place stile leveling bar on top of 2nd Flat Washer of Floor Anchor(s).
- B. Level stile vertically. Use contractor's pencil to mark hole locations on stile (using the #1001371 Angle Brackets installed on wall as templates).
- C. Remove stile and drill 3/16" (4.7mm) holes through stile at locations marked in STEP 5B.
- D. Again place stile leveling bar on top of 2nd Flat Washer of Floor Anchor(s).
- E. Secure Angle Brackets with #1002499 Sheet Metal Screws - using drill equipped with T27 Driver.
- F. Add Flat Washer, Lock Washer and Hex Nut to Floor Anchor above stile leveling bar.
- G. Tighten Hex Nuts above/below leveling bar with wrench.

Fig. 5a: Installing Stile Nearest Wall.

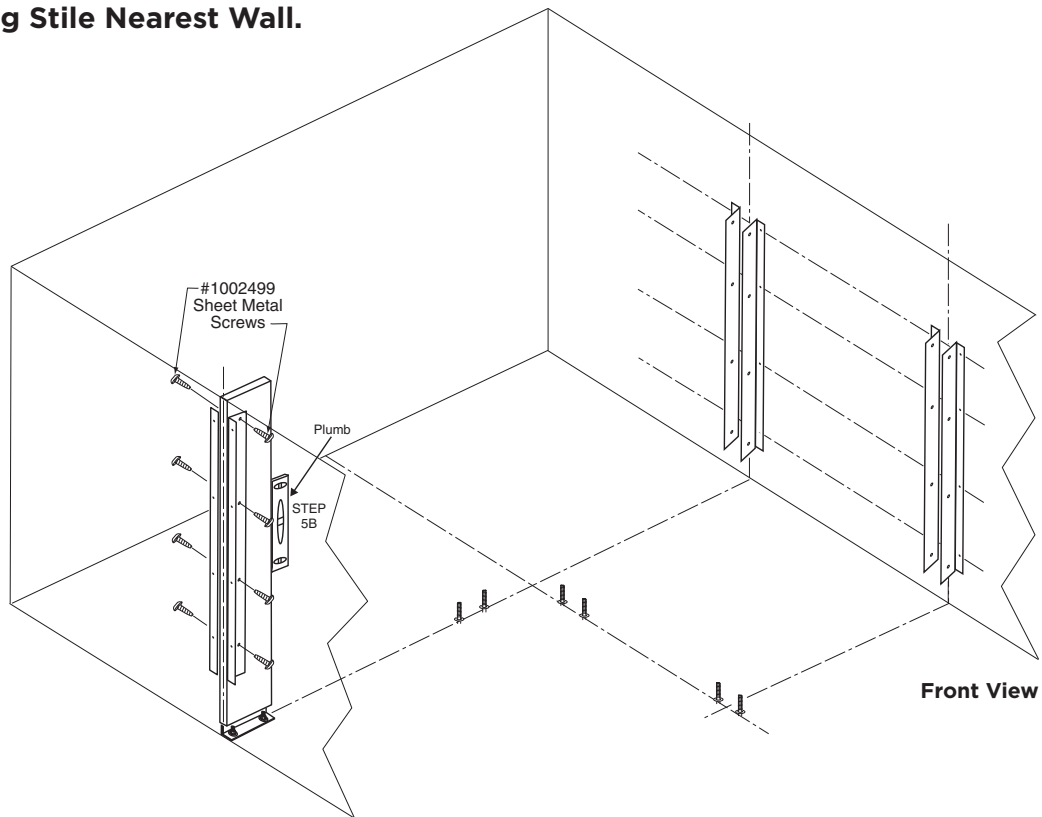
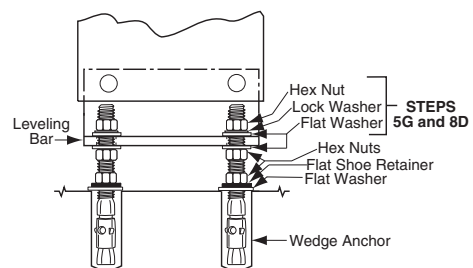


Fig. 5b: Stile Secured to Floor Anchor.



STEP 5 INSTALL WALL POSTS *(If required)*

HINTS/NOTES:

#19 (.166") x 2" pilot hole needed to fasten wall posts to stud backing using #1002495 Wall Screws.

INSTALLING WALL POSTS:

A. Determine the hole locations for required door swing for the Wall Post 1" x 1-1/2" (25 x 40mm). Outside edge of Wall Post should be in line with the outside edge of keeping stile.

NOTE: The wall must have adequate backing at mounting locations to support weight of door when hung.

B. Level Wall Post in both directions on wall.

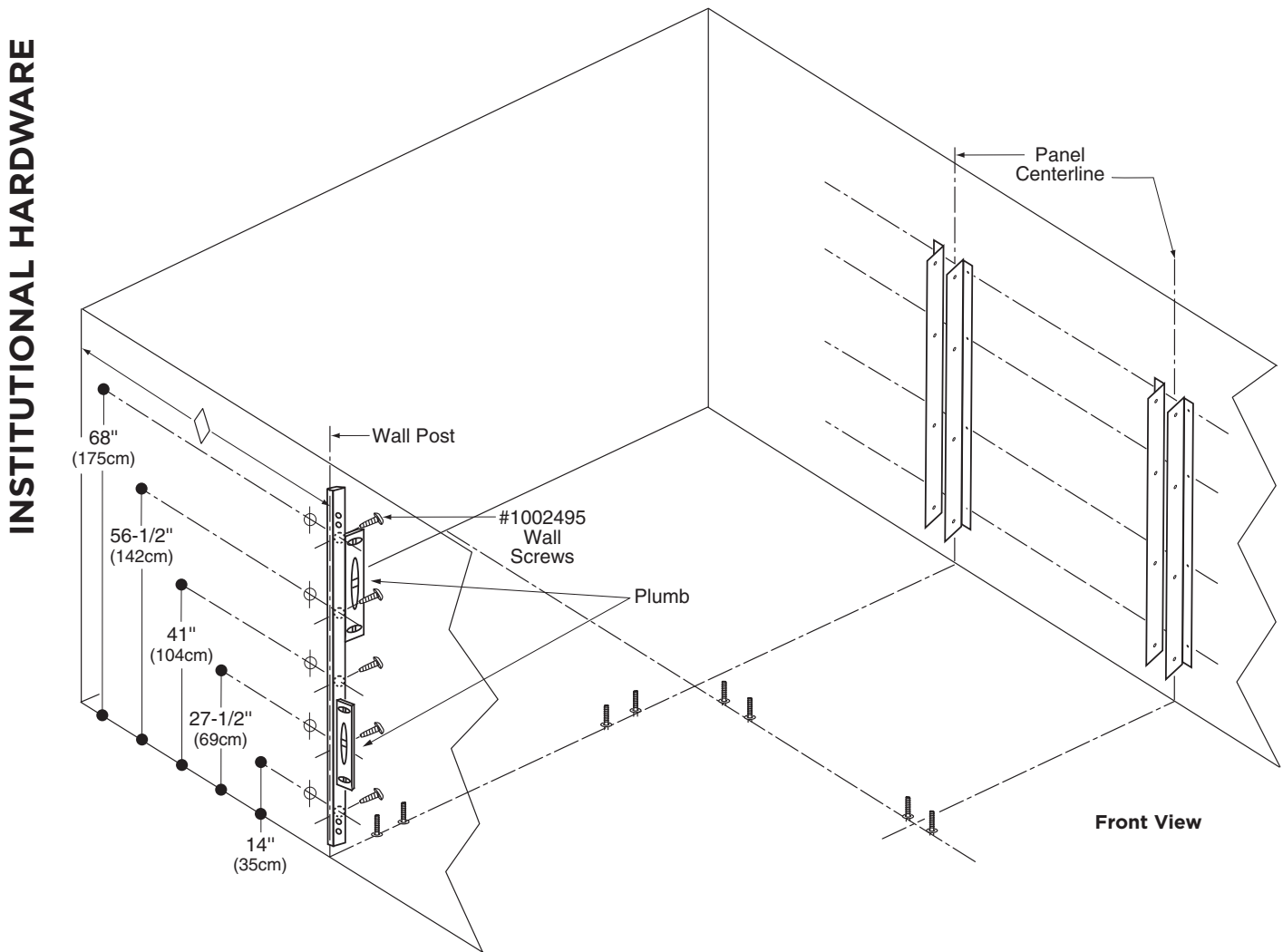
Mark mounting hole locations on wall.

C. Drill #19 (.166") x 2" pilot hole into stud backing.

D. Secure Wall Post to wall with (5) #1002495 Wall Screws - 2". Install (2) Post End Caps and (5) Mounting Hole Plugs.

E. Attach door hinge with fasteners provided in #1002346 Wall Post Packet.

Fig. 5c: Installing Wall Posts to Wall.



NOTE: Panel centerline is not always on the stile centerline. Refer to Bobrick Layout Sheets for panel offsets.

⊕ These mounting points require wall backing.

◇ Obtain dimension from Bobrick Layout Sheet.

STEP 6

INSTALL STILE BRACKETS FOR PERPENDICULAR PANELS

PARTS NEEDED:

- Layout Sheets
- #1002664 Button Head Screw - 3/8"
- #1002665 Button Head Screw - 5/8"
- #1002666 Sex Bolt - 1/4" diameter, 1/2" barrel
- #1000972 U-Bracket
- #1000351 L-Bracket
- #1000282 Alcove Bracket

TOOLS NEEDED:

- Drill
- T27 Pin-in-Head Torx Driver
- Hex Driver Shank Extension
- 17/64" Drill Bit
- Tape Measure
- Level
- Contractor's Pencil

HINTS/NOTES:

17/64" (6.7mm) through-drilled hole needed to through-bolt brackets-to-stiles using #1002665 Button Head Screw and #1002666 Sex Bolts.

- A. Locate appropriate stile on Layout Drawings.
- B. Before drilling holes for brackets, confirm correct: 1) width of stile and 2) hinge drilling pattern on stile with Layout Sheets. First determine the exterior side of stile and then mark interior face for bracket hole locations.

For **Outswing** doors, brass inserts on stile should be located on the **OUTSIDE** of compartment.
For **Inswing** doors, brass inserts on stile should be located on the **INSIDE** of compartment.

ATTACHING 1000972 U-BRACKETS OR 1000351 L-BRACKETS:

- C. Use tape measure and level to measure and mark the centerlines for the three (3) Brackets at the heights shown in Fig. 6a at the offsets indicated in the Layout Sheets.
- D. Use drill equipped with high quality 17/64" (6.7mm) bit to drill a hole through stile at the marked locations marked in STEP C.
- E. Place #1002666 Sex Bolt - 1/4" diameter, 1/2" barrel in the hole on the exterior side of stile.
- F. Secure U-Bracket to Sex Bolt with #1002665 Button Head Screw - 5/8" using drill equipped with T27 Driver and Hex Driver Shank Extension.
- G. Repeat above steps for all stiles mounting to perpendicular panels.

Fig. 6a: Floor-Anchored or Ceiling-Hung Stiles.

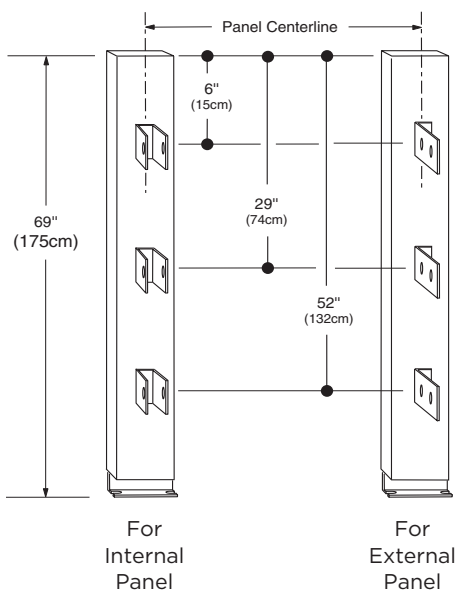


Fig. 6b: Overhead-Braced Stiles.

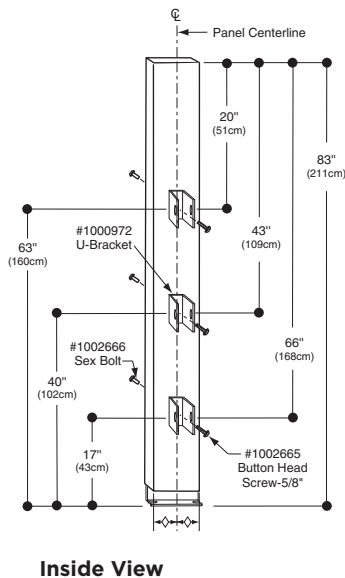
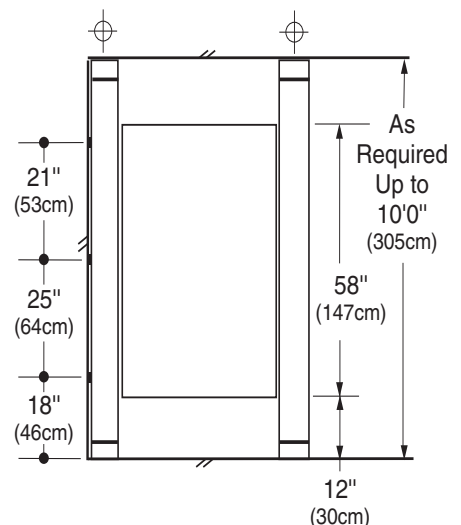


Fig. 6c: Floor-to-Ceiling Anchored.



◇ Obtain dimension from Bobrick Layout Sheet.

(Refer to examples on page 9)

STEP 6 INSTALL STILE BRACKETS FOR PERPENDICULAR PANELS

PARTS NEEDED:

- Layout Drawings
- #1002664 Button Head Screw - 3/8"
- #1002665 Button Head Screw - 5/8"
- #1002666 Sex Bolt - 1/4" diameter, 1/2" barrel
- #1001368 U-Channel
- #1001375 Strip Bracket

TOOLS NEEDED:

- Drill
- T27 Pin-in-Head Torx Driver
- Hex Driver Shank Extension
- 17/64" Drill Bit
- Tape Measure
- Level
- Contractor's Pencil

HINTS/NOTES:

17/64" (6.7mm) through-drilled hole needed to through-bolt brackets-to-stiles using #1002665 Button Head Screw and #1002666 Sex Bolts.

- A. Locate appropriate stile on Layout Drawings.
- B. Before drilling holes for brackets, confirm correct: 1) width of stile and 2) hinge drilling pattern on stile with Layout Sheets. First determine the exterior side of stile and then mark interior face for bracket hole locations.

For **Outswing** doors, brass inserts on stile should be located on the **OUTSIDE** of compartment.

For **Inswing** doors, brass inserts on stile should be located on the **INSIDE** of compartment.

ATTACHING #1001368 (1/2" PANEL) or #1080-132 (3/4" PANEL) U-CHANNELS:

- C. Use tape measure and level to measure and mark the centerlines for the #1001368 or #1080-132 U-Channel at the heights shown in Fig. 6a at the offsets indicated in the Layout Sheets.
- D. Use drill equipped with high quality 17/64" (6.7mm) bit to drill a hole through stile at the marked locations marked in STEP 6C.
- E. Place #1002666 Sex Bolt - 1/4" diameter, 1/2" barrel in the hole on the exterior side of stile.
- F. Secure U-Channel to Sex Bolt with #1002665 Button Head Screw - 5/8" using drill equipped with T27 Driver and Hex Driver Shank Extension.
- G. Repeat above steps for all stiles mounting to perpendicular panels.

Fig. 6a: Overhead-Braced Stiles

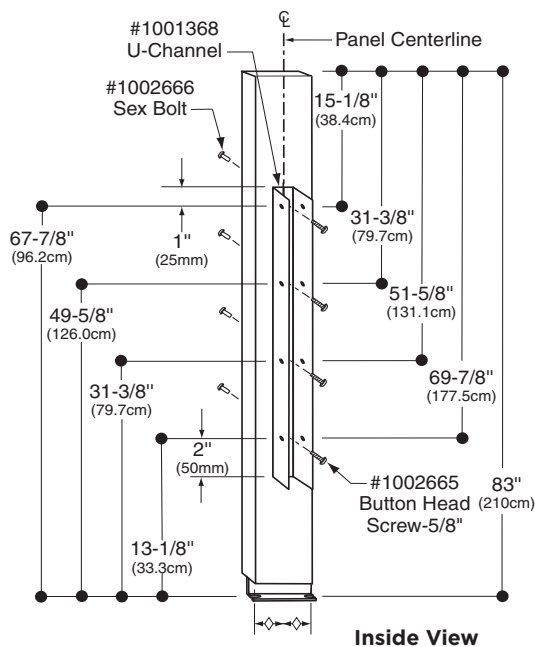
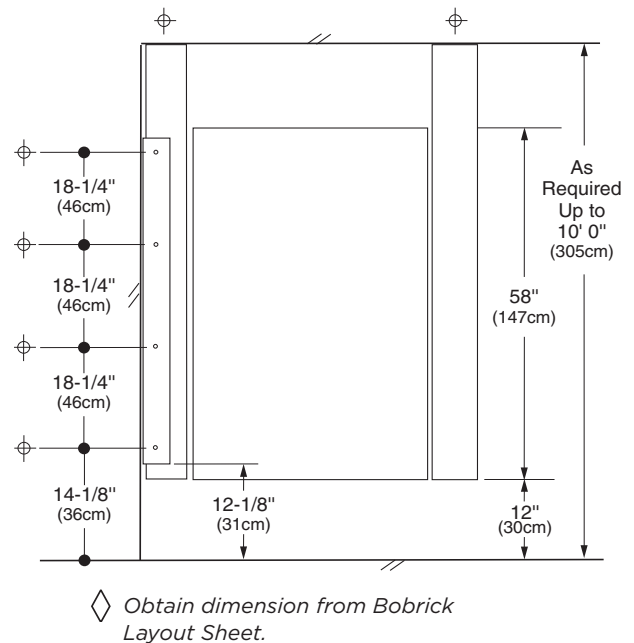


Fig. 6b: Floor-Anchored or Ceiling-Hung Stiles.



(Refer to examples on page 10)

STEP 6 INSTALL STILE BRACKETS FOR INLINE PANELS

HINTS/NOTES:

17/64" (6.7mm) through-drilled hole needed to through-bolt brackets-to-stiles using #1002665 and Button Head Screw #1002666 Sex Bolts.

ATTACHING 1000282 ALCOVE BRACKETS:

- Using the #1000282 Alcove Bracket as a template, measure and mark the centerlines for the three (3) Alcove Brackets at the heights shown in **Fig. 6d**.
- Use drill equipped with high quality 17/64" (6.7mm) bit to drill holes through stile at the marked locations in STEP A.
- Place #1002666 Sex Bolt - 1/4" diameter, 1/2" barrel in the hole on the exterior side of stile/panel.
- Secure Alcove Bracket to Sex Bolt on stile side of bracket with #1002665 Button Head Screw - 5/8" using drill with T27 Driver and Hex Driver Shank Extension.

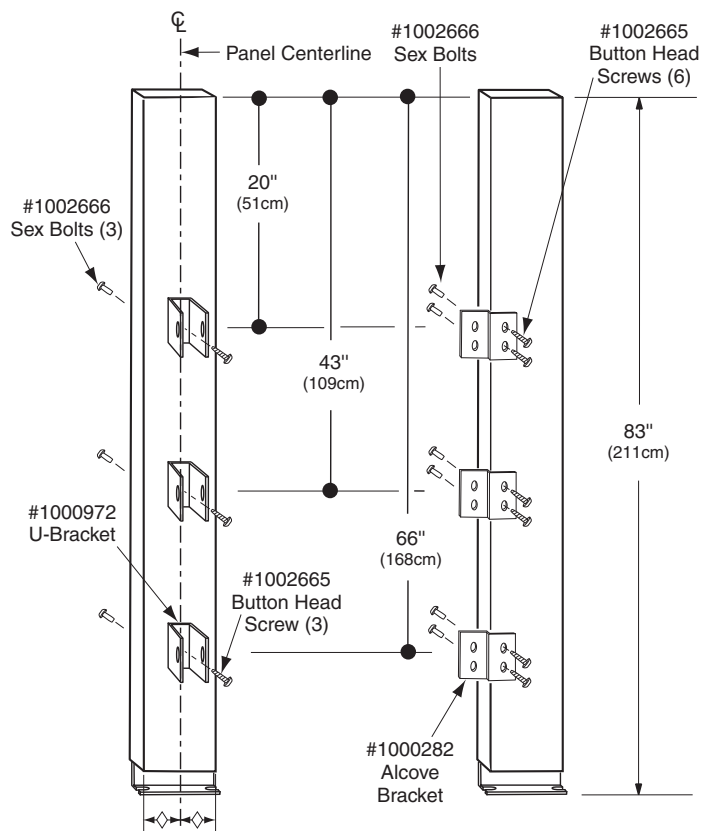
NOTE: Panel side of Alcove Bracket will be secured with #1002664 Button Head Screw - 3/8".

- Repeat above steps for all stiles mounting to inline panels.

**Fig. 6d: Installing Alcove Brackets to Stile For Overhead-Braced or Floor-to-Ceiling.
(for Inline Panels)**

* **NOTE: #1002664 Button-Head Screw - 3/8" used to secure Alcove Bracket to Panel.**

(Refer to examples on page 9)



For
Internal
Panel

(Refer to
examples
on page 9)

For
External
Alcove
In-Line
Panel

HEAVY-DUTY HARDWARE

STEP 6

INSTALL STILE BRACKETS FOR INLINE PANELS

HINTS/NOTES:

17/64" (6.7mm) through-drilled hole needed to through-bolt brackets-to-stiles using #1002665 Button Head Screws and #1002666 Sex Bolts.

ATTACHING #1080-76 Z-BRACKET:

- Using the #1080-76 Z-Bracket as a template, measure and mark the centerlines of the holes for the Z-Bracket at the heights shown in **Fig. 6c**.
- Use drill equipped with high quality 17/64" (6.7mm) bit to drill holes through stile at the marked locations in STEP 6A.
- Place #1002666 Sex Bolt - 1/4" diameter, 1/2" barrel in the hole on the exterior side of stile/panel.
- Secure Strip Bracket to Sex Bolt on stile side of bracket with #1002665 Button Head Screw - 5/8" using drill with T27 Driver and Hex Driver Shank Extension.

NOTE: Panel side of Z-Bracket will be secured with #1002664 Button Head Screw - 3/8".

- Repeat above steps for all stiles mounting to inline panels.

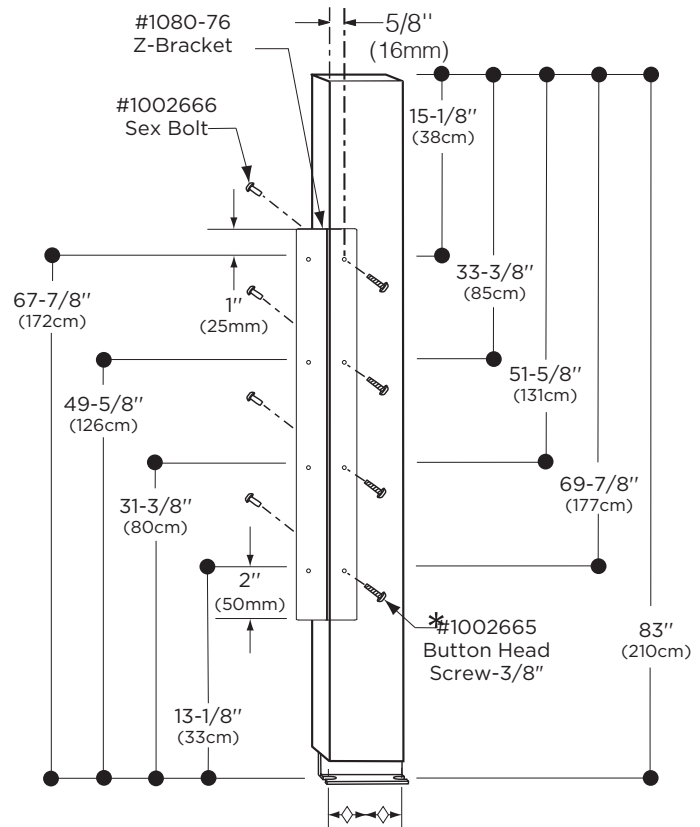
**Fig. 6c: Installing Z-Bracket to Stile for Overhead-Braced or Floor-to-Ceiling.
(for Inline Panels)**

INSTITUTIONAL HARDWARE

* **NOTE: #1002664 Button-Head Screw - 3/8" used to secure Alcove Bracket to Panel.**

(Refer to examples on page 10)

Inside View



STEP 7 POSITION PANEL

PARTS NEEDED:

Panel

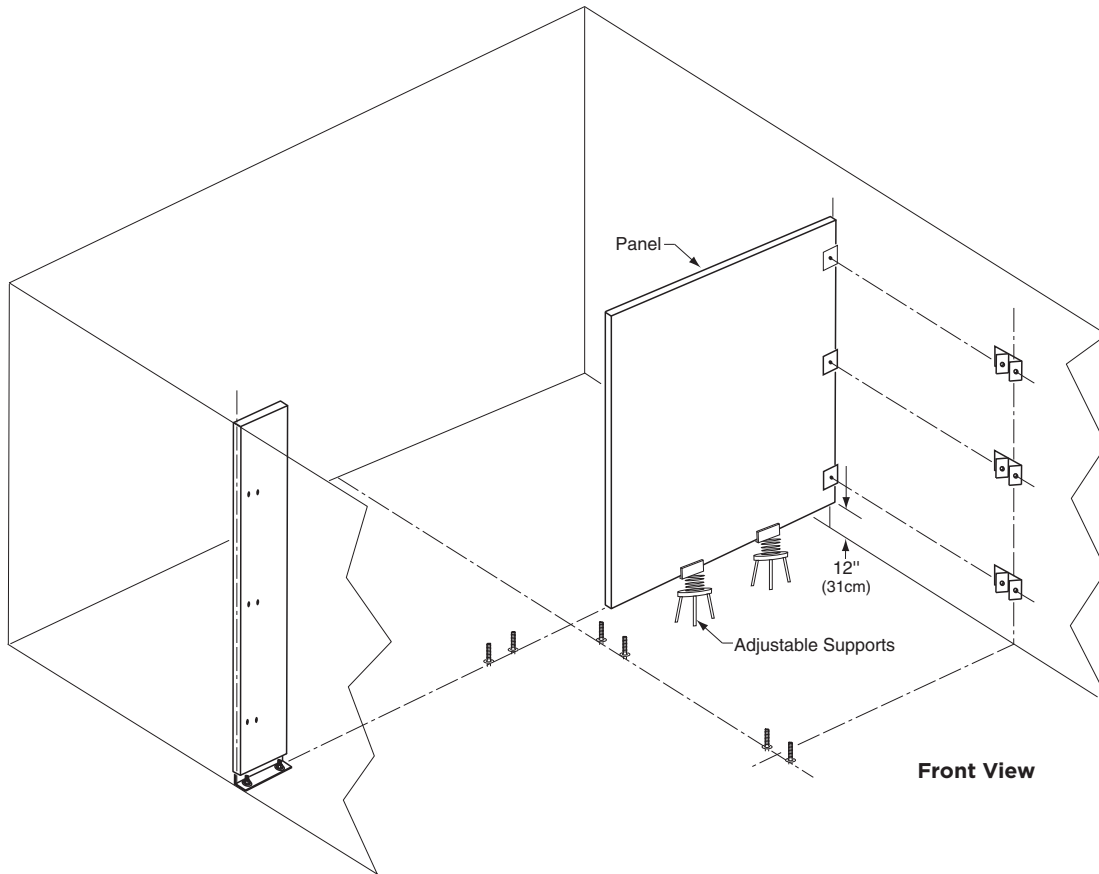
TOOLS NEEDED:

Adjustable Supports (2)

- Place adjustable supports in position to hold panel 12" (31cm) above the floor.
- Place panel on the adjustable supports. Slide panel into the #1000975 F-Brackets attached to wall.

NOTE: Do NOT secure panel to F-Brackets on wall at this time.

Fig. 7: Positioning Panel with Adjustable Supports.



HEAVY-DUTY HARDWARE

STEP 7 POSITION PANEL

PARTS NEEDED:

Panel

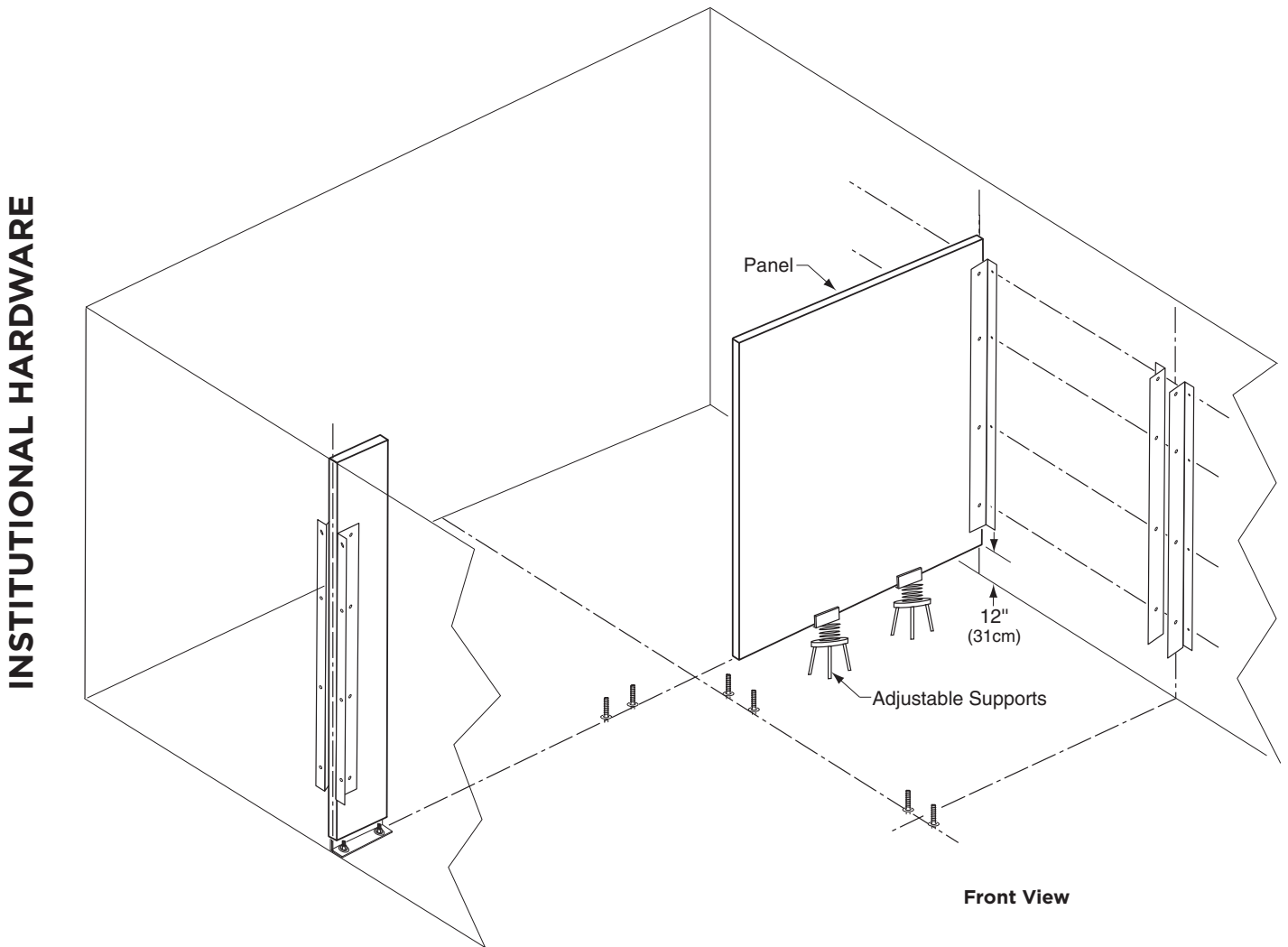
TOOLS NEEDED:

Adjustable Supports (2)

- A. Place adjustable supports in position to hold panel 12" (31cm) above the floor.
- B. Place panel on the adjustable supports. Slide panel into the #1001371 Angle Brackets attached to wall.

NOTE: Do NOT secure panel to Angle Brackets on wall at this time.

Fig. 7: Positioning Panel with Adjustable Supports.



STEP 8 INSTALL ADJACENT STILE

PARTS NEEDED:

- Stile
- #1002499 Sheet Metal Screws - 7/16"
- #1002385 Headrail
- #1002664 Button Head Screw - 3/8"
- #1002666 Sex Bolt - 1/4" diameter, 1/2" barrel
- Remaining components of #1002701 Floor Anchor (i.e., Flat Washer, Lock Washer, and Hex Nut)

TOOLS NEEDED:

- Wrench (Adjustable or 9/16" open end)
- Drill
- T27 Pin-in-Head Torx Driver
- 3/16" (4.7mm) Drill Bit
- Shims
- Level

HINTS/NOTES:

3/16" (4.7mm) pilot hole size needed to fasten brackets-to-panels using #1002499 Sheet Metal Screws.

NOTE: Drill COMPLETELY through material. Do NOT drill through F-Brackets.

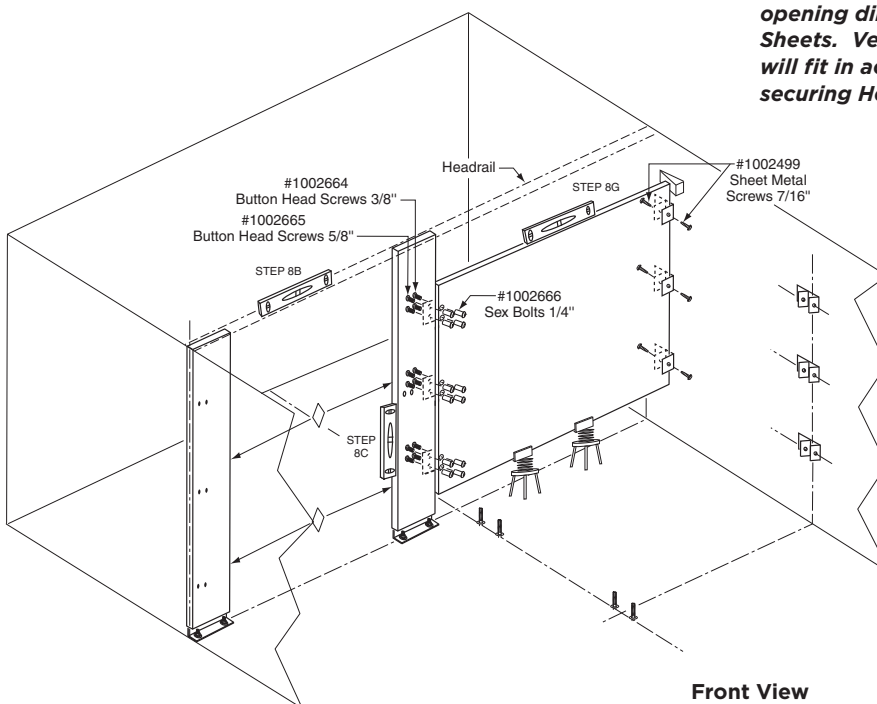
- Set leveling bar of stile on top of Flat Washers of adjacent set of Floor Anchors.
- Level stiles by placing length of #1002385 Headrail over two adjacent stiles.
- Level stile by tightening/loosening 2nd Hex Nut of Floor Anchors.
- Add Flat Washer, Lock Washer and Hex Nut to threaded rod of Floor Anchor above leveling bar.
- Tighten Hex Nuts with wrench to secure stile in place.
- Recheck vertical levelness. Tighten/loosen Hex Nut(s) as necessary.
- Level panel horizontally (front-to-back) by raising/lowering adjustable supports and inserting shims at wall.

NOTE: Ensure edge of panel is butted up against inline stile.

- Using the F-Brackets and Alcove Brackets as templates, drill 3/16" (4.7mm) pilot holes through the panel.
NOTE: Do NOT drill hole through F-Brackets.
- Fasten F-Brackets to panel with #1002499 Sheet Metal Screws - 7/16".
- Fasten Alcove Brackets to inline panel with #1002664 Button Head Screws - 3/8" and #1002666 Sex Bolt.

Fig. 8: Installing Adjacent Stile.

NOTE: Ensure that actual door opening between stiles matches opening dimensions on Layout Sheets. Verify that physical door will fit in actual door opening before securing Hex Nuts on Floor Anchors.



◇ Obtain dimension from Bobrick Layout Sheet.

STEP 8 INSTALL ADJACENT STILE

PARTS NEEDED:

Stile
#1002499 Sheet Metal Screws - 7/16"
#1002385 Headrail
#1002664 Button Head Screw - 3/8"
#1002665 Button Head Screw - 5/8"
#1002666 Sex Bolt - 1/4" diameter, 1/2" barrel
Remaining components of #1002701 Floor Anchor
(i.e., Flat Washer, Lock Washer, and Hex Nut)

TOOLS NEEDED:

Wrench (*Adjustable or 9/16" open end*)
Drill
T27 Pin-in-Head Torx Driver
3/16" (4.7mm) Drill Bit
Shims
Level

HINTS/NOTES:

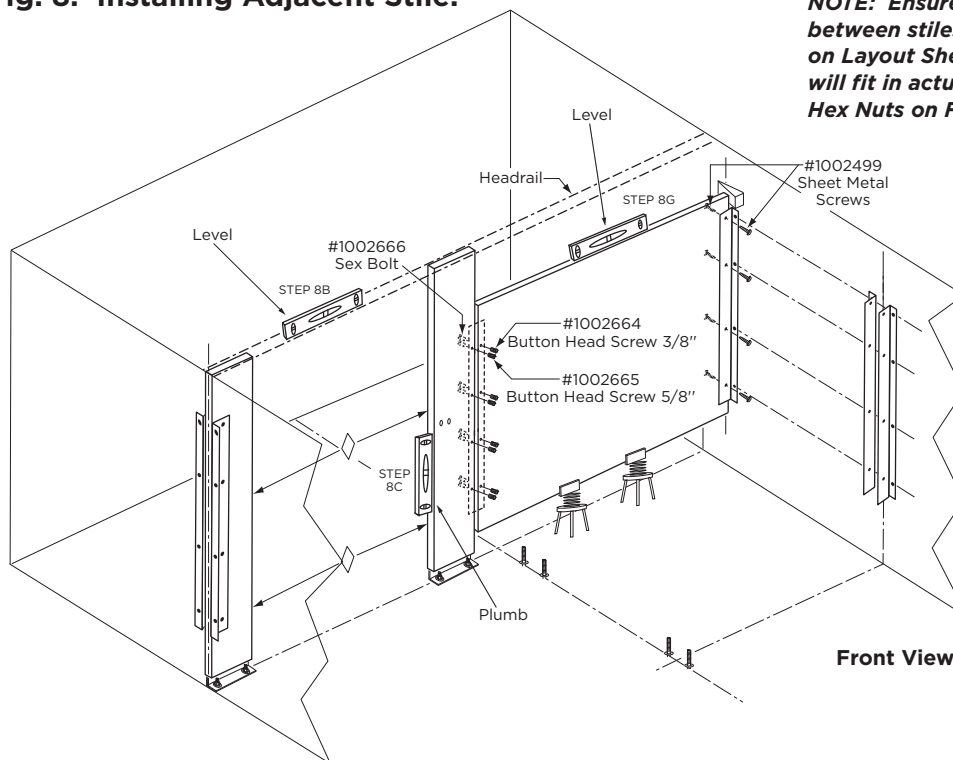
3/16" (4.7mm) pilot hole size needed to fasten brackets-to-panels using #1002499 Sheet Metal Screws.

NOTE: Do NOT drill through Angle Brackets.

- Set leveling bar of stile on top of Flat Washers of adjacent set of Floor Anchors.
- Level stiles by placing length of #1002385 Headrail over two adjacent stiles.
- Level stile by tightening/loosening 2nd Hex Nut of Floor Anchors.
- Add Flat Washer, Lock Washer and Hex Nut to threaded rod of Floor Anchor above leveling bar.
- Tighten Hex Nuts with wrench to secure stile in place.
- Recheck vertical levelness. Tighten/loosen Hex Nut(s) as necessary.
- Level panel horizontally (front-to-back) by raising/lowering adjustable supports and inserting shims at wall.
NOTE: Ensure edge of panel is butted up against inline stile.
- Using the Angle Brackets and Z-Bracket as templates, drill 3/16" (4.7mm) pilot holes through the panel.
NOTE: Drill COMPLETELY through material. Do NOT drill hole through Angle Brackets.
- Fasten Angle Brackets to panel with #1002499 Sheet Metal Screws - 7/16".
- Fasten Z-Bracket to inline panel with #1002664 Button Head Screws - 3/8" and #1002666 Sex Bolt.

INSTITUTIONAL HARDWARE

Fig. 8: Installing Adjacent Stile.



NOTE: Ensure that actual door opening between stiles matches opening dimensions on Layout Sheets. Verify that physical door will fit in actual door opening before securing Hex Nuts on Floor Anchors.

◇ Obtain dimension from Bobrick Layout Sheet.

STEP 9 INSTALL ADDITIONAL COMPARTMENT(S)

PARTS NEEDED:

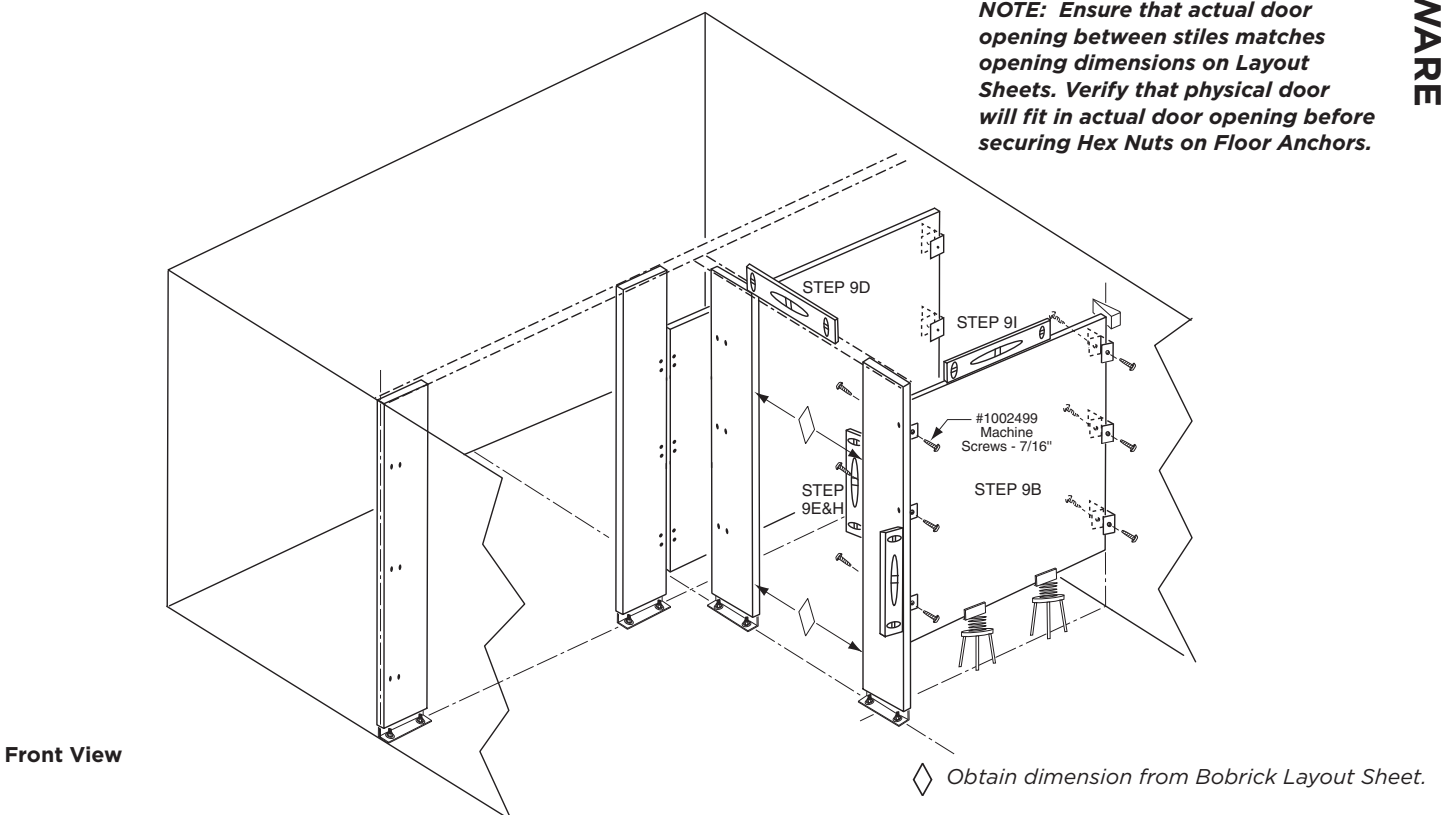
Stile
Panel
#1002385 Headrail
#1002499 Sheet Metal Screws - 7/16"
#1002664 Button Head Screw - 3/8"
#1002665 Button Head Screw - 5/8"
#1002666 Sex Bolt - 1/4" diameter, 1/2" barrel
#1000974 Y-Bracket
Remaining components of #1002701 Floor Anchor
(i.e., Flat Washer, Lock Washer, and Hex Nut)

TOOLS NEEDED:

Wrench (Adjustable or 9/16" open end)
Drill
T27 Pin-in-Head Torx Driver
3/16" (4.7mm) Drill Bit
Shims
Level

- A. Install and secure stile perpendicular to Alcove Panel with #1000974 Y-Brackets, using #1002664 Button Head Screws - 3/8" and #1002666 Sex Bolts (as shown in STEP 5, pg. 11).
 - B. Position adjacent panel (as shown in STEP 7, pg. 19).
 - C. Set leveling bar of stile on top of Flat Washers of adjacent set of Floor Anchors.
 - D. Level stiles by placing length of #1002385 Headrail over two adjacent stiles.
 - E. Level stile by tightening/loosening 2nd Hex Nut of Floor Anchors.
 - F. Add Flat Washer, Lock Washer and Hex Nut to threaded rod of Floor Anchor above leveling bar.
 - G. Tighten Hex Nuts with wrench to secure stile in place.
 - H. Recheck vertical levelness. Tighten/loosen Hex Nut(s) as necessary.
 - I. Level panel horizontally (front-to-back) by raising/lowering adjustable supports and inserting shims at wall.
 - J. Level stile vertically (top-to-bottom) by moving stile forwards/backwards.
- NOTE: Ensure panel is butted up against screw heads that attach the #1000972 U-Brackets to the stile.**
- K. Using the F-Brackets and U-Brackets as templates, drill 3/16" (4.7mm) pilot holes through the panel.
NOTE: Drill COMPLETELY through material. Do NOT drill hole through F- and U-Brackets.
 - L. Fasten F- and U-Brackets to panel with #1002499 Sheet Metal Screws - 7/16".

Fig. 9a: Installing Additional Compartment.



STEP 9

INSTALL ADDITIONAL COMPARTMENT(S)

PARTS NEEDED:

Stile
Panel
#1002385 Headrail
#1002499 Sheet Metal Screws - 7/16"
#1002664 Button Head Screw - 3/8"
#1002665 Button Head Screw - 5/8"
#1002666 Sex Bolt - 1/4" diameter, 1/2" barrel
#1001371 Angle Bracket
Remaining components of #1002701 Floor Anchor
(i.e., Flat Washer, Lock Washer, and Hex Nut)

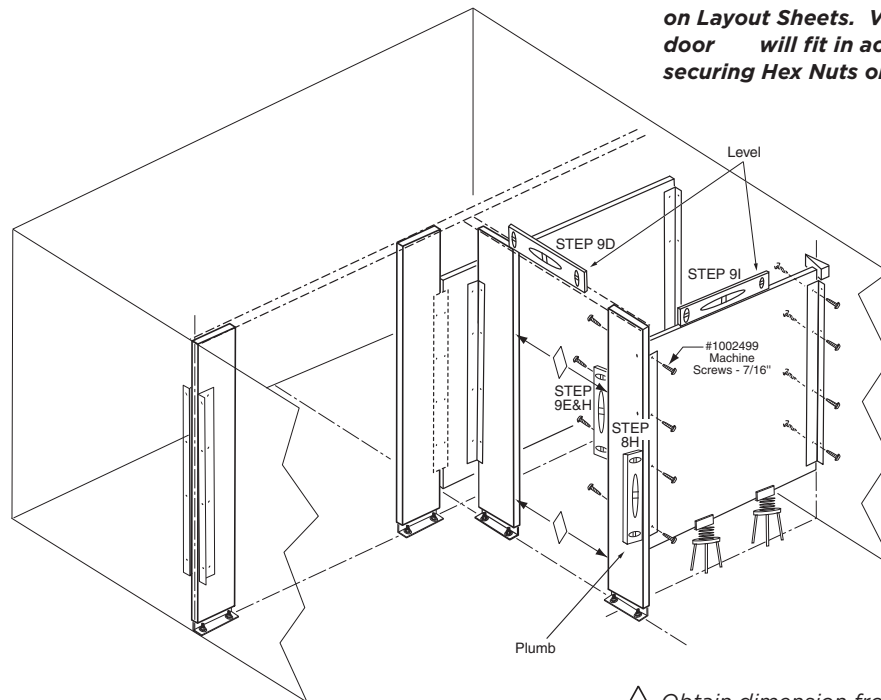
TOOLS NEEDED:

Wrench (Adjustable or 9/16" open end)
Drill
T27 Pin-in-Head Torx Driver
3/16" (4.7mm) Drill Bit
Shims
Level

- A. Install and secure stile perpendicular to Alcove Panel with #1001371 Angle Brackets, using #1002664 Button Head Screws - 3/8" and #1002666 Sex Bolts (as shown in STEP 5a, pg. 13).
 - B. Position adjacent panel (as shown in STEP 7, pg. 20).
 - C. Set leveling bar of stile on top of Flat Washers of adjacent set of Floor Anchors.
 - D. Level stiles by placing length of #1002385 Headrail over two adjacent stiles.
 - E. Level stile by tightening/loosening 2nd Hex Nut of Floor Anchors.
 - F. Add Flat Washer, Lock Washer and Hex Nut to threaded rod of Floor Anchor above leveling bar.
 - G. Tighten Hex Nuts with wrench to secure stile in place.
 - H. Recheck vertical plumb. Tighten/loosen Hex Nut(s) as necessary.
 - I. Level panel horizontally (front-to-back) by raising/lowering adjustable supports and inserting shims at wall.
 - J. Level stile vertically (top-to-bottom) by moving stile forwards/backwards.
- NOTE: Ensure panel is butted up against screw heads that attach the #1001368 U-Channel to the stile.**
- K. Using the Angle Brackets and U-Channel as templates, drill 3/16" (4.7mm) pilot holes through the panel.
NOTE: Drill COMPLETELY through material. Do NOT drill hole through Angle Brackets and U-Channel.
 - L. Fasten Angle Brackets and U-Channel to panel with #1002499 Sheet Metal Screws - 7/16".

Fig. 9: Installing Additional Compartment.

NOTE: Ensure that actual door opening between stiles matches opening dimensions on Layout Sheets. Verify that physical door will fit in actual door opening before securing Hex Nuts on Floor Anchors.



Front View

◇ Obtain dimension from Bobrick Layout Sheet.

STEP 10 INSTALL STILES AND SET DOOR OPENINGS

- A. Ensure edge of panel is touching screw heads in brackets on stiles. Using brackets as templates, drill $3/16'' \times 7/16''$ (4.7 x 11mm) pilot holes in panel.
- B. Fasten brackets to panels with #1002499 screws.
- C. Use level to plumb stiles. Place shims between panels and wall (as shown in Step 10a).
- D. Set door openings to be square, plumb and true per Bobrick layout sheet (as shown in Step 10b).
- E. Tighten hex nuts on stile anchoring system.
- F. Secure panels to wall brackets using #1002499 screws.

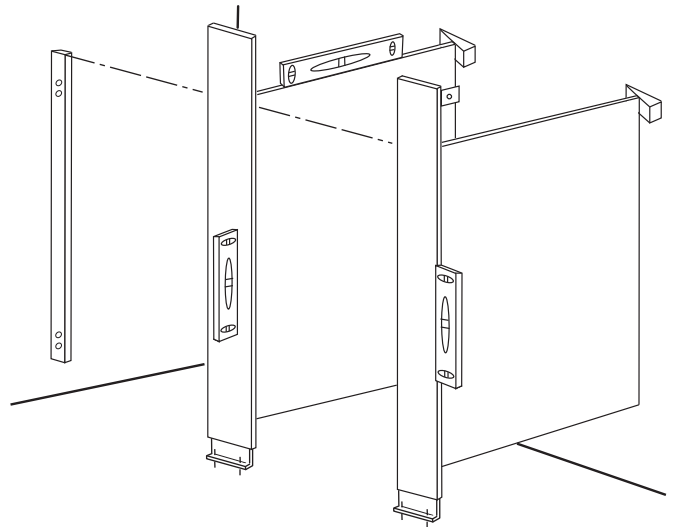
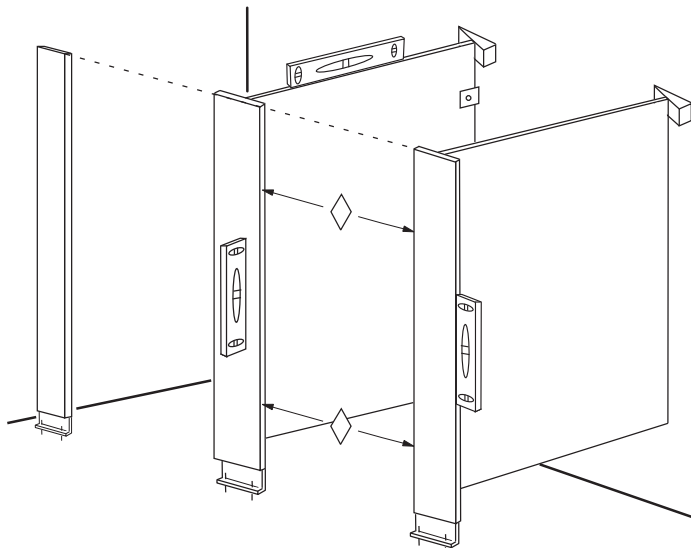
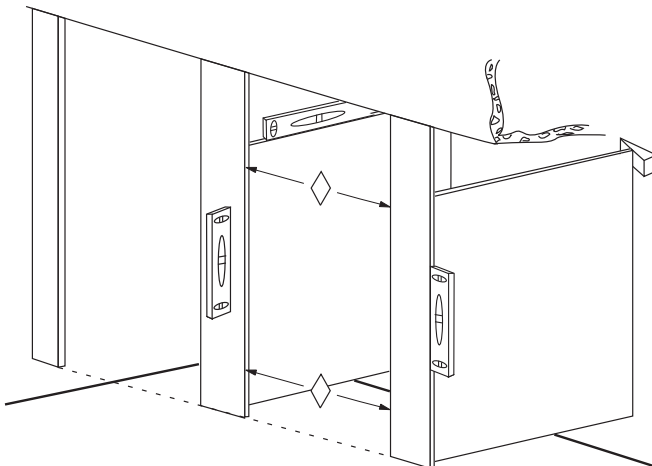


Fig. 10a: Floor-Anchored Installation.



◇ Obtain dimension from Bobrick Layout Sheet

Fig. 10b: Ceiling-Hung Installation.



STEP 11 INSTALL HEADRAIL AND CURTAIN TRACK (Optional)

PARTS NEEDED:

- #1002385 Headrail - 84"
- #1000927 Headrail Bracket
- #1000978 Headrail End Cap
- #1002495 Wall Screw - 2"
- #1002499 Sheet Metal Screw - 7/16"
- #1000375 Curtain Track (optional)
- #1000862 Curtain Carrier Pack (7 hooks/entrance) (optional)

TOOLS NEEDED:

- Drill
- T27 Pin-in-Head Torx Driver
- 3/16" Drill Bit
- #19 (4.2mm) Drill Bit
- #25 (3.8mm) Drill Bit
- Hacksaw or Miter Saw

HINTS/NOTES:

- #19 (.166") x 2" pilot hole needed to fasten Headrail Bracket to stud backing using #1002495 Wall Screws.
- 3/16" (4.7mm) pilot hole size needed to fasten Headrail-to-stiles using #1002499 Sheet Metal Screws.

- A. Measure wall-to-wall dimensions, less 1/4" (6mm). If it is a corner application, measure from wall to outside edge of stile, less 1/8" (3mm).
- B. Use hacksaw or miter saw to cut #1002385 Headrail to required length.
- C. Place Headrail over stile.
- D. Using the #1000927 Headrail Bracket as a template, mark mounting hole locations in the wall and Headrail.
- E. Drill 3/16" x 3/4" pilot holes through back of Headrail and stile. At wall locations, drill #19 (.166") x 2" pilot holes into stud wall backing or use other anchors appropriate for wall construction (not furnished by Bobrick).
- F. Fasten Headrail Bracket to front Headrail with #1002499 Sheet Metal Screws - 7/16" and to wall with #1002495 Wall Screws - 2".
- G. For Corner and Alcove Layouts: Cut additional return Headrail. Measure from the inside edge of front Headrail to the back wall (see Fig. 11b).
- H. Fasten return Headrail to stile by repeating STEPS 11D - F.
- I. For Corner Layouts: Install #1000978 Headrail End Cap to cover the exposed corner of Headrail. Using the Headrail End Cap as a template, mark and drill 3/16" (4.7mm) pilot hole and secure #1000978 Headrail End Cap with #1002499 Sheet Metal Screw.

Fig. 11a: Installing Headrail Hardware. (Corner Layout)

NOTE: Headrail Seams must be located over stiles for structural stability

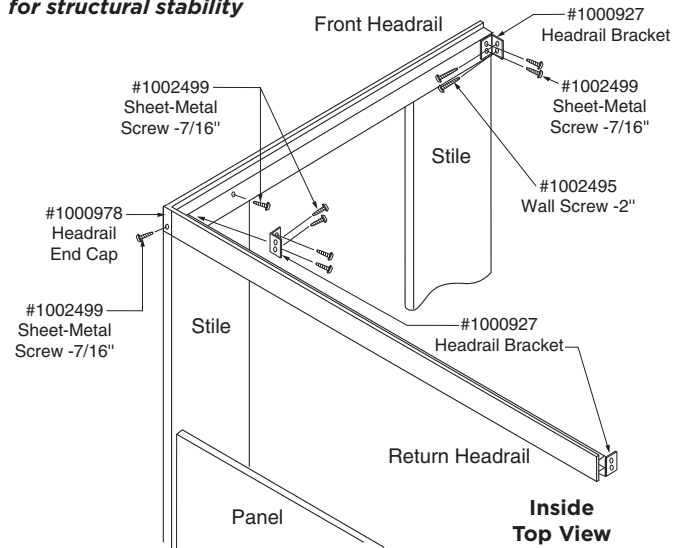
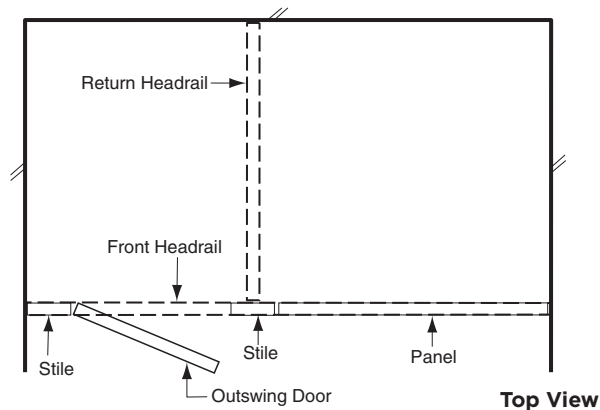


Fig. 11b: Headrail for Closed Alcove Layout.



* **NOTE: Do NOT forget the return headrail on Alcove Layouts.**

For Shower/Dressing Compartments (Installing Optional Curtain Track)

- A. Cut #1000375 Curtain Track to fit between stiles.
- B. Install #1000833 Curtain Carrier Hooks from #1000862 Curtain Carrier Packet into Curtain Track.
- C. Hold Curtain Track in place inside Headrail between stiles. Drill #25 (3.8mm) diameter hole through Curtain Track and Headrail.
- D. Fasten Curtain Track to Headrail using Curtain Track Screws provided in #1000862 Packet
- E. Install shower curtain (not included).

STEP 12 INSTALL DOORS

PARTS NEEDED:

- #1002330 L-Hinge Set
- #1002331 J-Hinge Set
- #1002156 Hinge Cam
- #1002491 Machine Screw - 1/2"
- #1000900 Allen Wrench - 5/64"
- #1002665 Button Head Screw - 5/8"
- #1002666 Sex Bolt
- #1000869 Clothes Hook

(For Inswing Doors):

- #1040-35 Inswing Keeper for Inline Stiles
- #1040-39 Perpendicular Keeper for perpendicular stiles and walls
- #1040-42 Latch Packet

(For Outswing Doors):

- #1040-39 Perpendicular Keeper
- #1040-36 Outswing Keeper
- #1040-42 Latch Packet

TOOLS NEEDED:

- Drill
- T25 Pin-in-Head Torx Driver
- T27 Pin-in-Head Torx Driver
- 17/64" Drill Bit
- Phillips Screwdriver

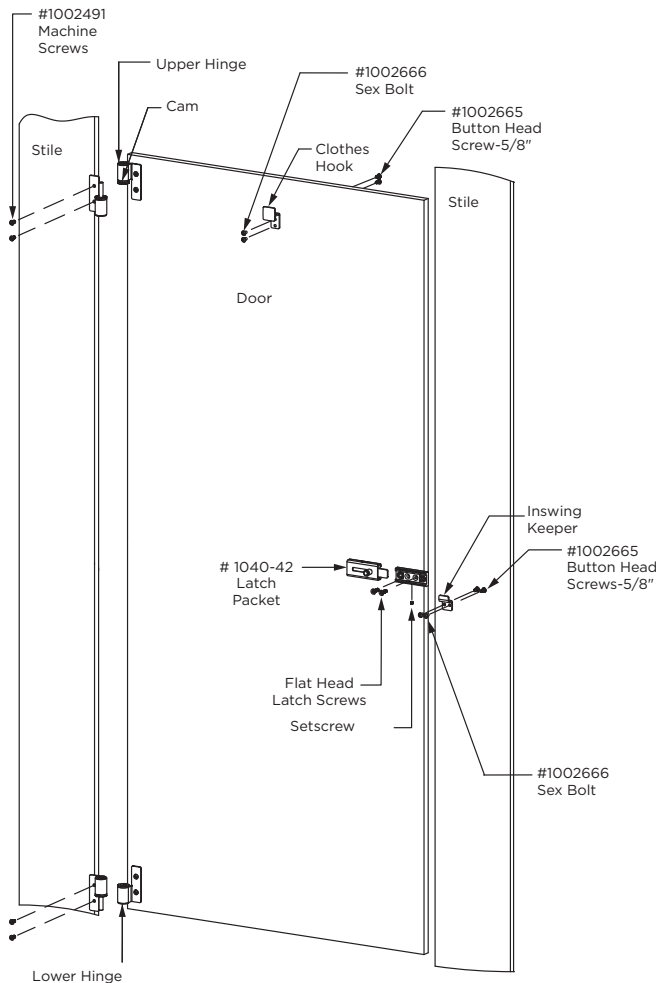
HINTS/NOTES:

17/64" (6.7mm) through-drilled hole needed to through-bolt Keepers-to-stiles and Clothes Hooks-to-doors using

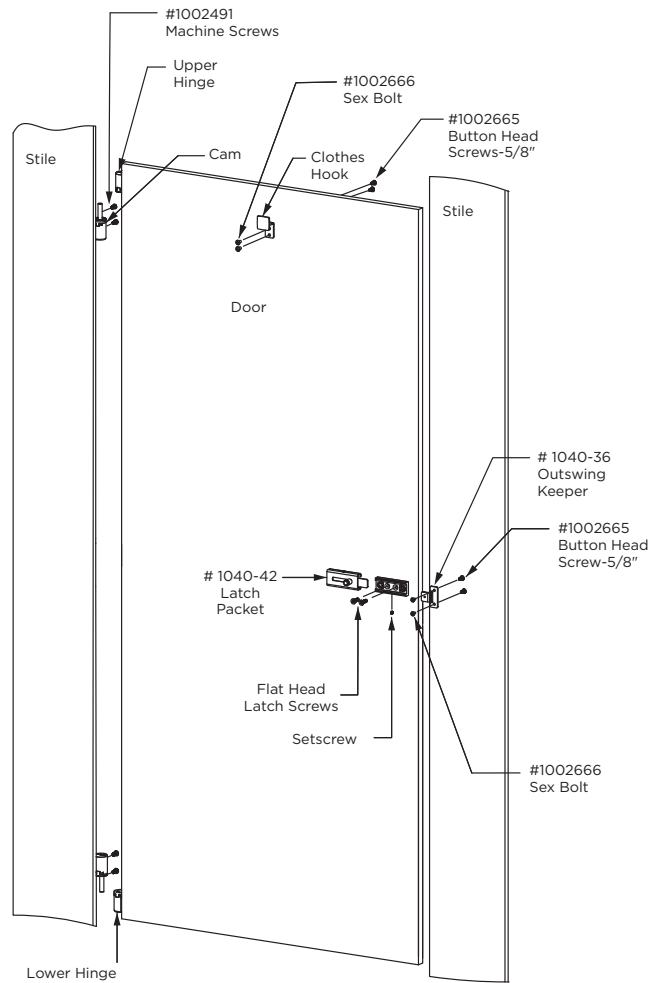
#1002666 Sex Bolts and #1002665 Button Head screw.

3/16" (4.7mm) through-drilled hole needed to attach Door Handle-to-doors using the fasteners provided in #1000312 Door Handle Packet.

Fig. 12a: INSWING Door Hardware. (example) Inside View **Fig. 12b: OUTSWING Door Hardware. (example) Inside View**



Inside View

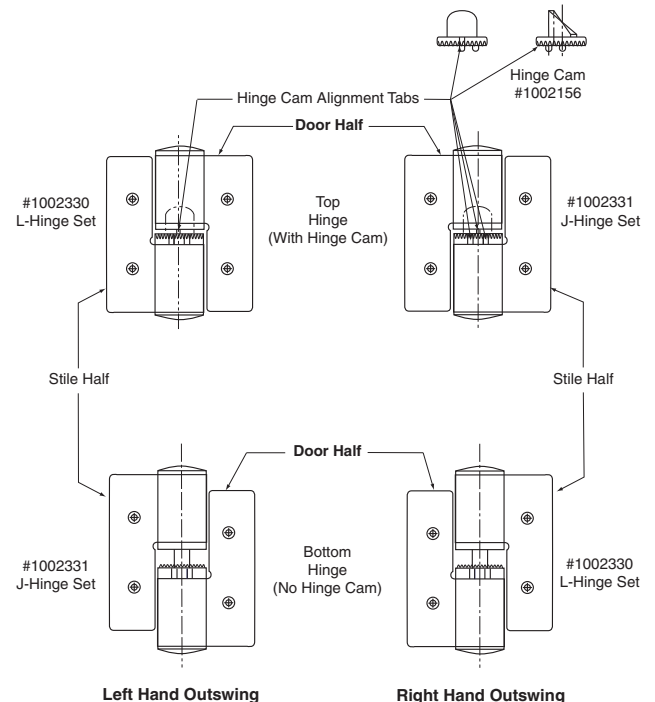
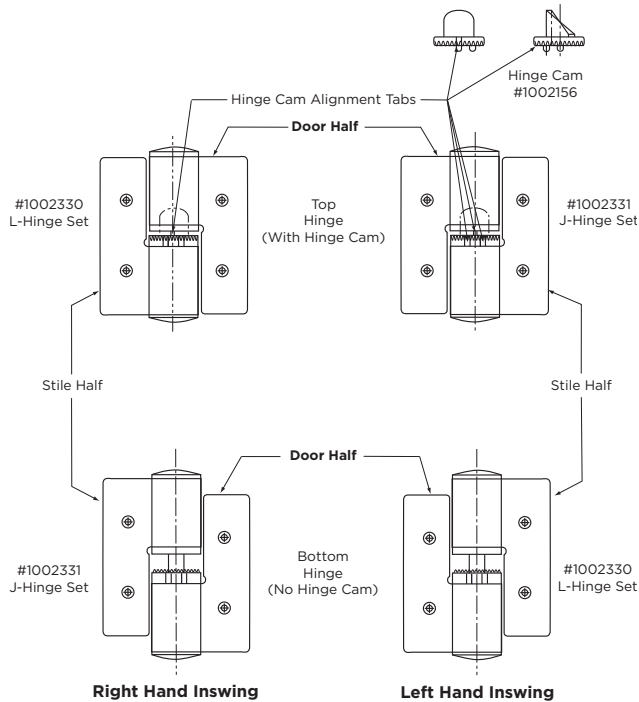


Inside View

STEP 12 INSTALL DOORS (HINGES AND DOOR HARDWARE)

Fig. 12c: INSWING Door Hinge Setup.

Fig. 12d: OUTSWING Door Hinge Setup.



Inside View

Outside View

ATTACHING HINGE: (for Inswing and Outswing Doors)

- Using hinge diagrams in **Fig. 12c - 12d**, identify the upper and lower hinge sets necessary for installation.
- Separate hinge sets. Fasten the (2) halves with "teeth" and cam alignment tabs onto stile using **#1002491 Machine Screws**.
- Fasten upper hinge half to the door and stile using **#1002491 Machine Screws**.
- Insert (1) hinge pin and (1) **#1002156 Hinge Cam** on the upper stile hinge half.
- Lift door and set into position onto upper hinge halves. Door should be hanging securely on upper stile hinge half.
- Attach lower hinge and hinge pin onto door and stile with **#1002491 Machine Screws**.
- When the cam has been set at the desired free resting position, "either closed or open" the top of the affixed components will be aligned.

Tip - Industry tolerance in the hardware will sometimes allow fine alignment to some partition components. These fine adjustments may be performed by loosening the hardware screws and adjusting the components the direction needed and retightening the screws.

To Increase or Decrease Opening of Door.

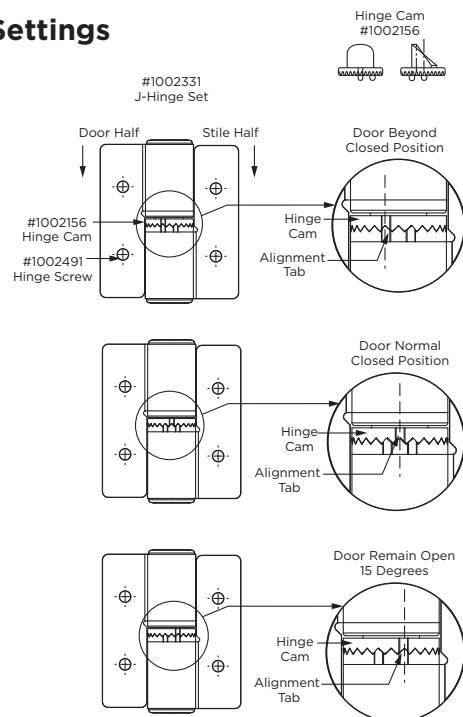
- Alignment tabs have been formed into the cam and plastic hinge bushing.
- Lift door to limit of upward travel (approximately 1/2" (13mm)). While door is lifted, raise cam above bottom bushing and rotate so alignment tabs meet.
- Ensure both upper hinges are set to same alignment tab.
- To set door in open position, rotate cams toward door opening direction.
- To set door in closed position, rotate cams toward door closing direction.
- Door may not function properly if cam and bushing tabs on both hinges are not aligned properly.

ATTACHING CLOTHES HOOK: (for Inswing and Outswing Doors)

- Place **#1000869 Clothes Hook** in desired position. Mark mounting hole locations.
- Drill 17/64" (6.7mm) hole through the door at locations marked in **STEP 12A**.
- Attach Clothes Hook to door using the **#1002665 Button Head Screw - 5/8"** and **#1002666 Sex Bolt**.

NOTE: For accessible toilet compartments, position Clothes Hook per local codes.

Cam Settings



HEAVY-DUTY HARDWARE

Door Hardware Installation

- A. Orient hinge (see **Fig. 12g**).
- B. Fasten hinge to the door using 6 — #1002491 pin-in-head torx screws.
- C. Supporting door, fasten hinge to the stile.

Parts Needed:

- #1002491 Machine Screw - 1/2"
- #1000900 Allen Wrench - 5/64"
- #1002665 Button Head Screw - 5/8"
- #1002666 Sex Bolt
- #1000869 Clothes Hook
- #1002920 Left-Hand Inswing or Right-Hand Outswing
- #1002921 Right-Hand Inswing or Left-Hand Outswing
- #1000312 Door Handle Packet (2 Door Pulls)
- #1000418 Accessible Toilet Compartment Label

For Inswing Doors

- #1040-35 Inswing Keeper for Inline Stiles
- #1040-39 Perpendicular Keeper for perpendicular stiles and walls
- #1040-42 Latch Packet

For Outswing Doors:

- #1040-39 Perpendicular Keeper
- #1040-36 Outswing Keeper
- #1040-42 Latch Packet

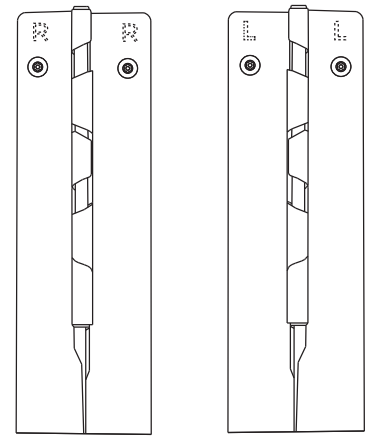
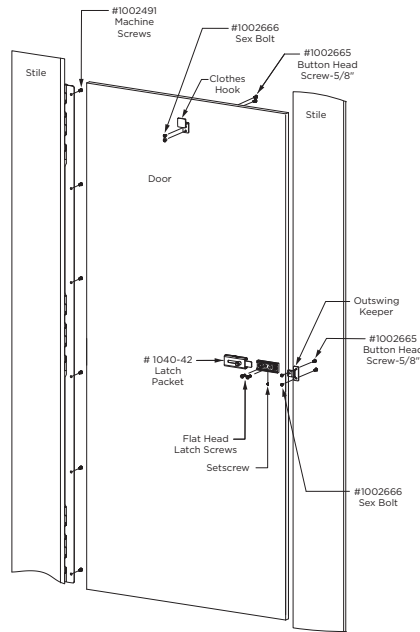
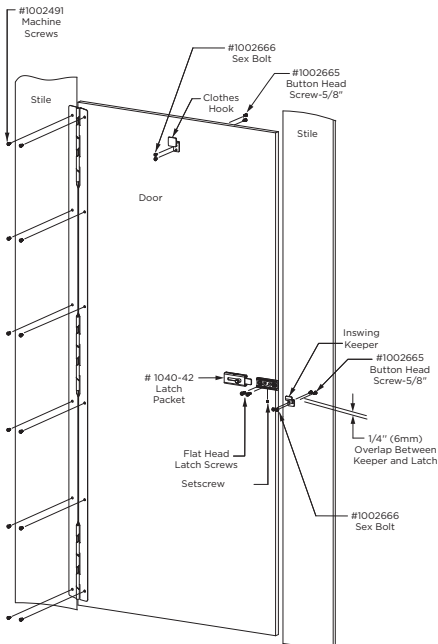
Hints/Notes:

- 17/64" (6.7mm) through-drilled hole needed to through-bolt Keepers-to-stiles and Clothes Hooks-to-doors using #1002666 Sex Bolts and #1002665 Button Head screw.
- 3/16" (4.7mm) through-drilled hole needed to attach Door Handle-to-doors using the fasteners provided in #1000312 Door Handle Packet.

Fig. 12e: Inswing Door Hardware

Fig. 12f: Outswing Door Hardware

Fig. 12g: Orient Hinge



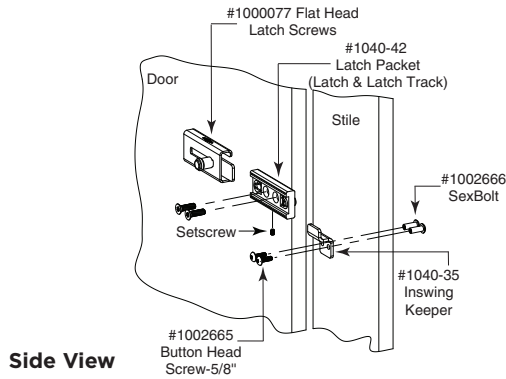
#1002921 Right-Hand Inswing or Left-Hand Outswing
#1002920 Left-Hand Inswing or Right-Hand Outswing



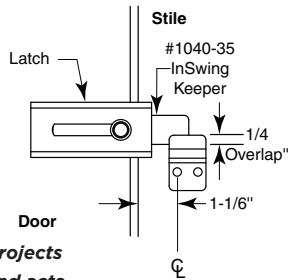
#1002491
1/4-20 x 1/2"
(M6-1 x 13mm)
Pin-In-Head Torx Screw

STEP 13 INSTALL DOORS (LATCHES AND KEEPERS)

Fig. 13a: INSWING Door Keeper for Inline Stiles.



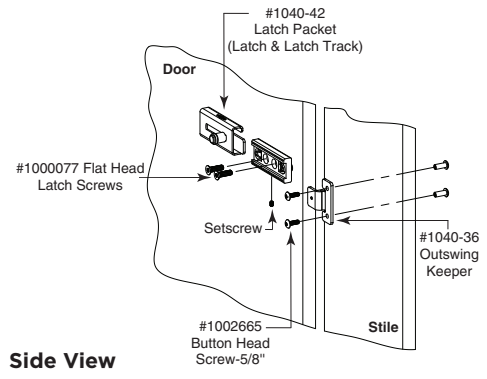
Side View



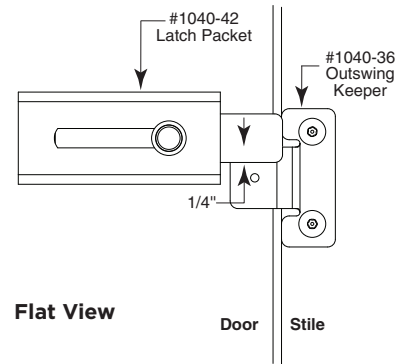
Flat View

NOTE: Latch track projects past edge of door and acts as doorstep.

Fig. 13b: OUTSWING Door Keeper for Inline Stiles.

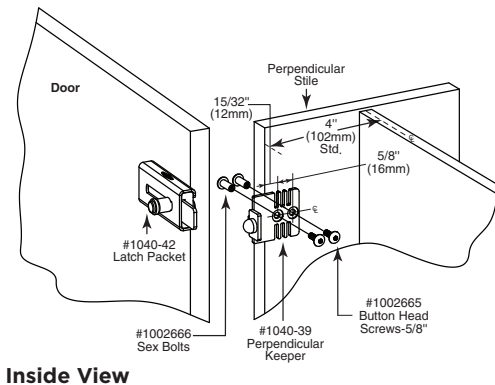


Side View



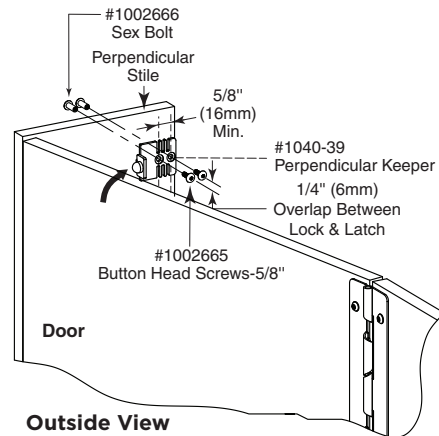
Flat View

Fig. 13c: INSWING Door Keeper for Perpendicular Stiles.



Inside View

Fig. 13d: OUTSWING Door Keeper for Perpendicular Stiles.



Outside View

ATTACHING LATCH AND KEEPER: (for Inswing and Outswing Doors)

- Attach the Latch Track to brass inserts in door with Flat Head Latch Screws using a T25 Pin-in-Head Torx driver.
- Slide the Latch Cover into grooves of Latch Track.
- Secure Latch Cover to Latch Track with Setscrew using #1000900 Allen Wrench.
- Select appropriate Keeper as (see **Figs. 13a - 13d**). Position Keeper and mark mounting hole locations.
- Drill 17/64" (6.7mm) hole through the stile at locations marked in STEP 13D.
- Attach Keeper to stile using #1002665 Button Head Screws - 5/8" and #1002666 Sex Bolts.

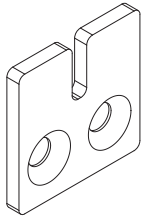
ATTACHING DOOR HANDLE: (for Outswing Doors)

- Using the #1000312 Door Handle as template, mark location for handle so top hole is 27" (685mm) above bottom of the door and 3" (75mm) from the edge on the outside of the door. Mark location for bottom hole of Door Handle.
- Drill 3/16" (4.7mm) diameter holes through door at the locations marked. Secure Door Handle to outside of door using machine screws provided in **#1000312 Door Handle Packet**.

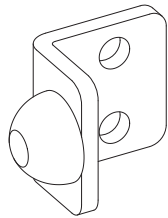
STEP 14 INSTALL WALL MOUNTED KEEPER

- Set the door to the closed position and verify the door is aligned with the other components, then slide the latch towards the wall.
- Select the appropriate wall mounted keeper (see **Fig. 14a - 14b**). Note: Inswing doors require #1000192 Alcove Keeper on opposite side of door to act as a door stop (see **Fig. 14a**).
- Position keeper on the wall and mark the mounting hole locations. Refer to diagram **Fig. 14a** for Inswing door or **Fig. 14b** for Outswing door.
- Drill pilot holes on marked locations using #19 x 2" (.166x50mm) drill bit.
- Attach the keeper to wall using #1002495 Pin-Head Torx Screw.

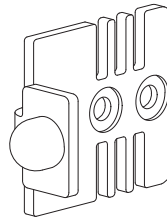
Pilot Hole Sizes: #19 x 2" (.166x50mm)



#1040-56
Wall Mounted Keeper
(Inswing Door)



#1000192
Alcove Keeper
(Use as Door Stop)



#1040-39
Perpendicular Keeper
(Outswing Door)



#1002495
#12 x 2" Pin-Head Torx Screw
(M5.5 x 50mm) Wall Screw

Fig. 14a: Inswing Door Wall Mount Keeper Installation Detail.

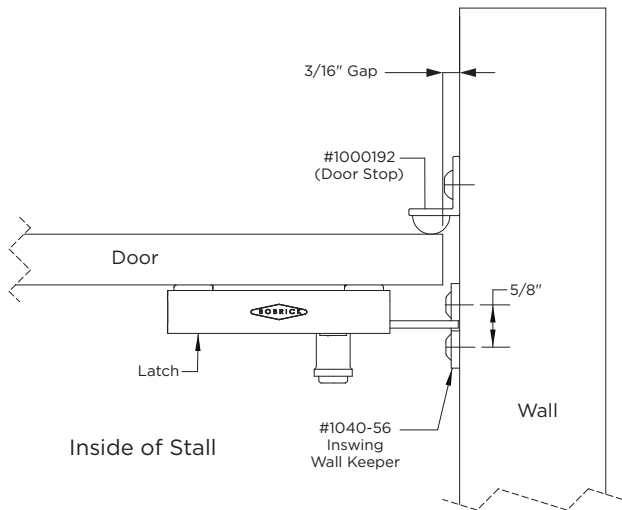
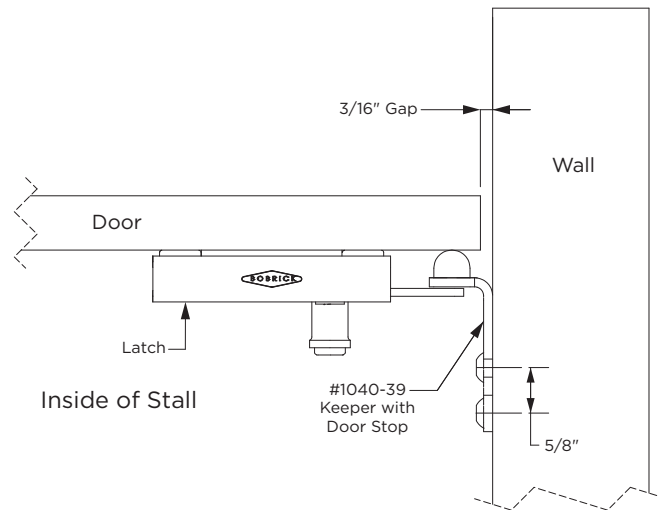
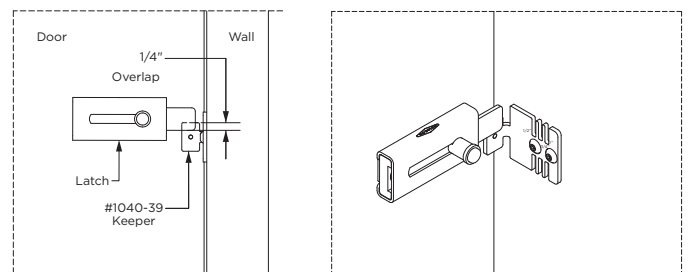
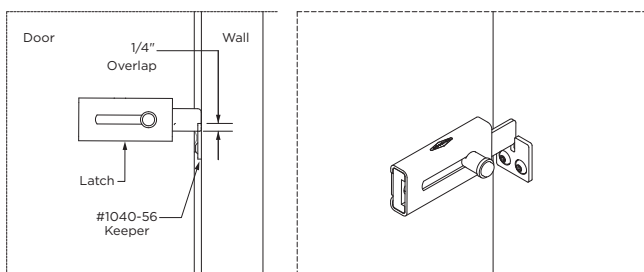


Fig. 14b: Outswing Door Wall Mount Keeper Installation Detail.



Note: Inswing doors require #1000192 Alcove Keeper on opposite side of door where the keeper is mounted to act as a door stop.

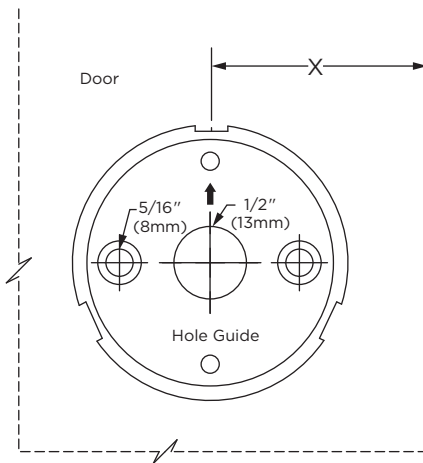


STEP 15 INSTALL OCCUPANCY INDICATOR LATCH AND KEEPER (IF APPLICABLE)

- Use template and table below to locate mounting plate holes.
- Drill through center hole using 1/2" (13mm) drill bit.
- Drill through two outer holes using 5/16" or 23/64" (8 or 9mm) drill bit.
- Attach latch to door per **Fig. 15b** and **Fig. 15c**. Use two 1 3/16" (30mm) screws for 3/4" (19mm) thick doors. Use shorter indicator pin for 3/4" (19mm) material.
- Assure red indicator is showing in indicator window, when the latch track is fully engaged.

Note: Emergency Access - The latch allows the door to be opened from the exterior of the toilet compartment by inserting a 3mm Allen key into the keyhole in the center of the cover plate and turning the key to release the latch.

Fig. 15a: Occupancy Indicator Latch #10002612



Keeper

Keeper	X-Dimension
Inline I/S Keeper	1 11/16" (43mm)
Inline O/S Keeper	2 1/4" (57mm)
Alcove I/S Keeper	2 1/16" (52mm)
Alcove O/S Keeper	2 7/8" (73mm)

Fig. 15b: Occupancy Indicator Latch Packet

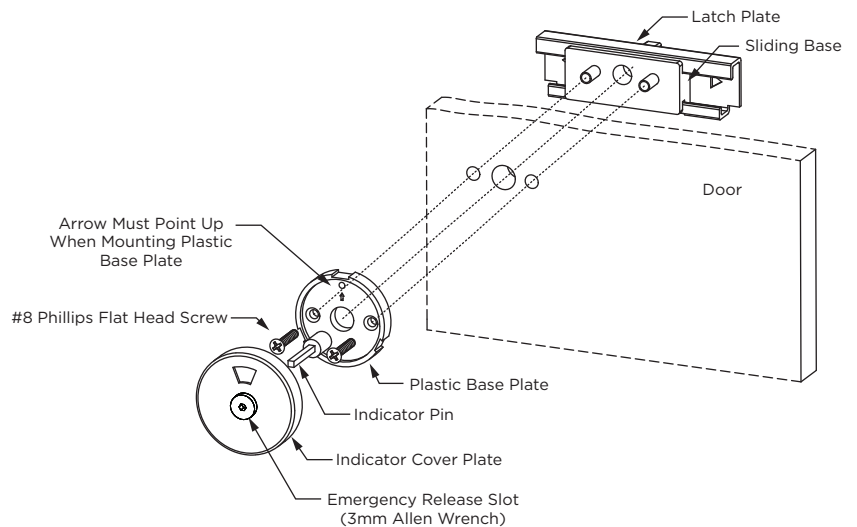
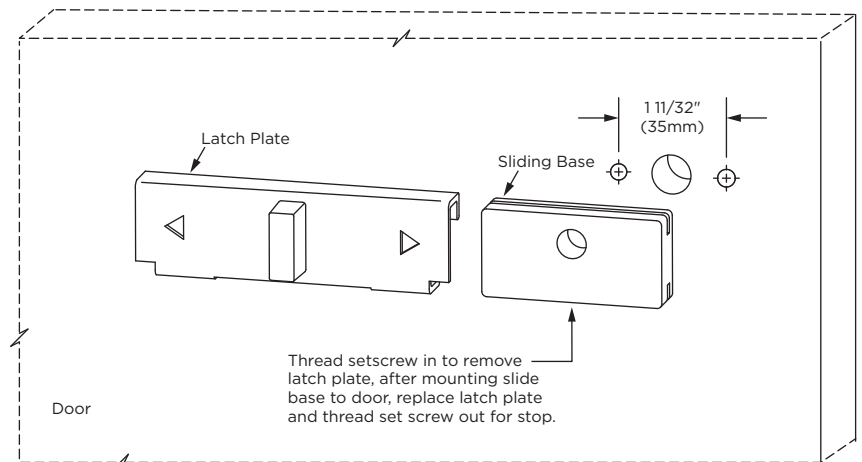


Fig. 15c: Latch Plate and Sliding Base



F. Using the keeper as a template, attach keeper per **Fig. 15d, 15e, 15f, or 15g** on keeping stile (inside of stall).

G. Mark and drill $7/16''$ (11mm) deep pilot hole using a $3/16''$ (4.7mm) drill bit. **Drill through material.**

H. Secure keeper to stile using #1002499 Pin-Head Torx Screw.

Note: All dimensions are based on a standard gap of $5/32''$ (4mm).

Pilot Hole Sizes: $3/16'' \times 7/16''$ (4.7 x 11mm) **Drill through material.**

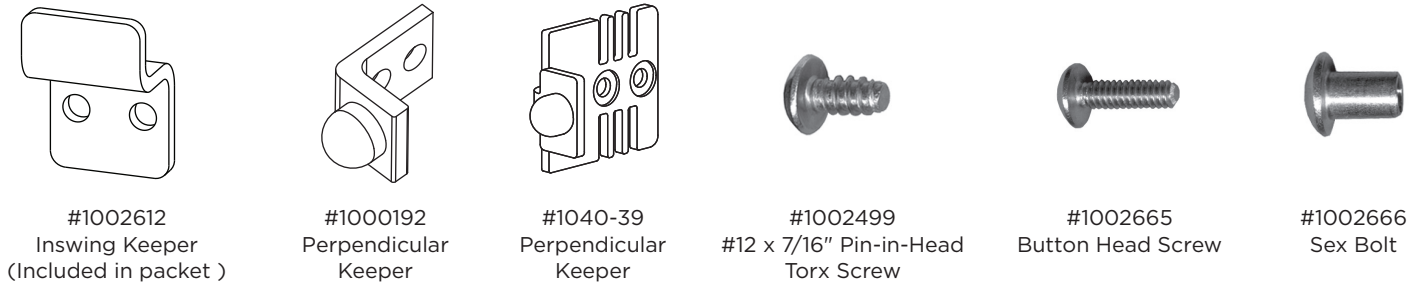
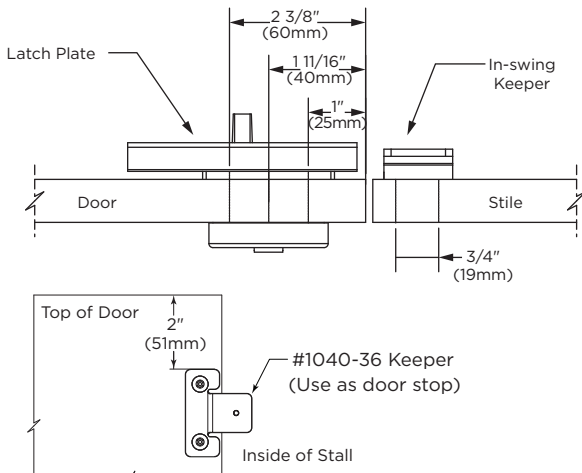
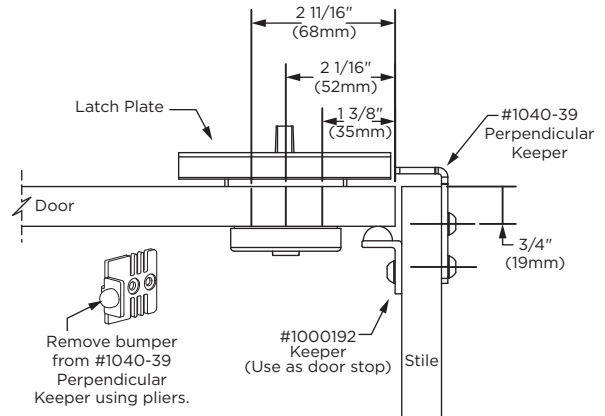


Fig. 15d: Inline Inswing



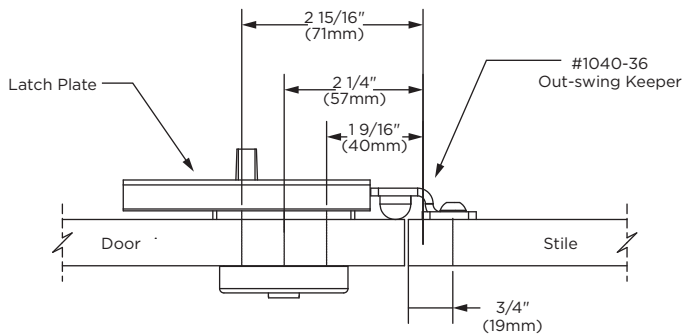
Use two #1002665 Button Head Screw and #1002666 Sex Bolt to attach keepers.

Fig. 15e: Perpendicular/Alcove Inswing



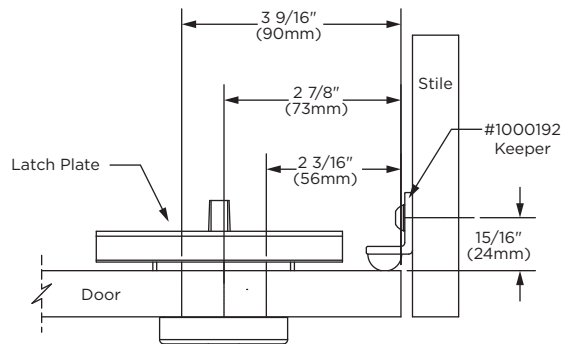
Use two #1002500 Pin-In-Head Torx screws to attach keeper. Use two #1002665 Button Head Screw and #1002666 Sex Bolt to attach #1000192 keeper (use as door stop).

Fig. 15f: Inline Outswing



Use two #1002665 Button Head Screw and #1002666 Sex Bolt to attach keeper.

Fig. 15g: Perpendicular/Alcove Outswing



Use two #1002665 Button Head Screw and #1002666 Sex Bolt to attach keeper.

STEP 16 INSTALL SHOES (for Ceiling)

PARTS NEEDED:

- Appropriate Shoe (1002175 - 1002185)
- 1002185 Shoe Retainer Clip
- 1002189 Shoe Retainer Screw

TOOLS NEEDED:

- Phillips Screwdriver
- Pliers

- A. Locate appropriately sized Shoe for stile.
- B. Confirm that the Flat Shoe Retainer is installed on the Anchor below the finished ceiling.
- C. Shoes accommodate 3/4" or 1" thick stiles. For 3/4" stiles, orient Shoe with 5/16" wide flange return against faces and edge of stile.

D1. Shoe Installation for Free Standing Stile

1. Open Shoe and slide over bottom of stile, trapping top flange of Shoe above Flat Shoe Retainer.
2. Close open end of Shoe, overlapping edges so retaining holes are aligned.
3. Install #1002189 Shoe Retainer Screw through double thickness of Shoe material to fasten Shoe into place.

D2. Shoe Installation for Stile Mounted Against Wall

1. Install #1002185 Shoe Retainer Clip (*included for stiles mounting to walls*). Hold Shoe Retainer Clip leaf with pliers. Spread Shoe open at least 1" and insert Shoe Retainer Clip into hole on inner leaf of Shoe until Clip snaps into place.
2. Slide Shoe over top of stile, trapping top lange of Shoe above Flat Shoe Retainer. Shoe Retainer Clip will be positioned against wall.
3. Close edges of Shoe together.
4. Apply pressure on Shoe until remaining hole snaps into place on Shoe Retainer Clip.

Fig. 16a: Installing Shoe on Free-Standing Stile.

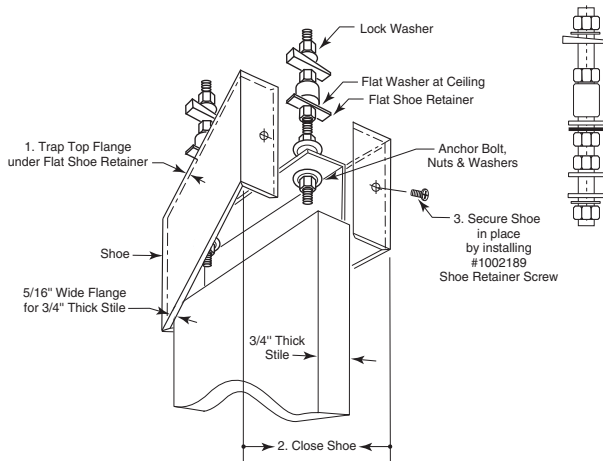
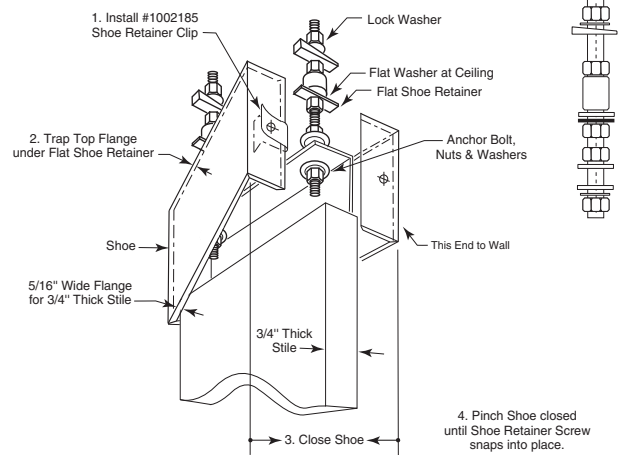


Fig. 16b: Installing Shoe on Stile Mounted Against Wall.



- E. Remove protective covering and wipe shoe clean.

REPLACEMENT SHOE GUIDE

Stile Width	Bobrick Part Number
3"	#1002175
4"	#1002176
5"	#1002184
6"	#1002177
7"	#1002197
8"	#1002178
10"	#1002179
12"	#1002180
16"	#1002181
18"	#1002196
20"	#1002182
24"	#1002183

STEP 16b INSTALL SHOES (for Floor)

PARTS NEEDED:

- Appropriate Shoe (1002175 - 1002185)
- #1002185 Shoe Retainer Clip
- #1002189 Shoe Retainer Screw

TOOLS NEEDED:

- Phillips Screwdriver
- Pliers

- Locate appropriately sized Shoe for stile (see *Replacement Shoe Guide*, pg. 2).
- Confirm that the Flat Shoe Retainer is installed on the Floor Anchor above the Flat Washer closest to the floor. (For Floor Anchor assembly detail, see Fig. 2b, pg. 6).
- Shoes accommodate 3/4" or 1" thick stiles. For 3/4" stiles, orient Shoe with 5/16" wide flange against faces and edge of stile.

D1. Shoe Installation for Free Standing Stile

- Open Shoe and slide over bottom of stile, trapping bottom flange of Shoe beneath Flat Shoe Retainer.
- Close open end of Shoe, overlapping edges so retaining holes are aligned.
- Install #1002189 Shoe Retainer Screw through double thickness of Shoe material to fasten Shoe into place.

D2. Shoe Installation for Stile Mounted Against Wall

- Install #1002185 Shoe Retainer Clip (*included for stiles mounting to walls*). Hold Shoe Retainer Clip leaf with pliers. Spread Shoe open at least 1" and insert Shoe Retainer Clip into hole on inner leaf of Shoe until Clip snaps into place.
- Slide Shoe over bottom of stile, trapping bottom flange of Shoe beneath Flat Shoe Retainer. Shoe Retainer Clip will be positioned against wall.
- Close edges of Shoe together.
- Apply pressure on Shoe until remaining hole snaps into place on Shoe Retainer Clip.

Fig. 16c: Installing Shoe on Free-Standing Stile.

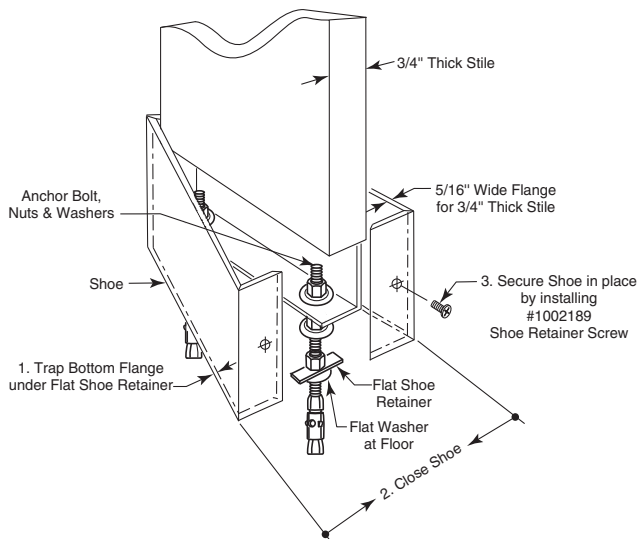
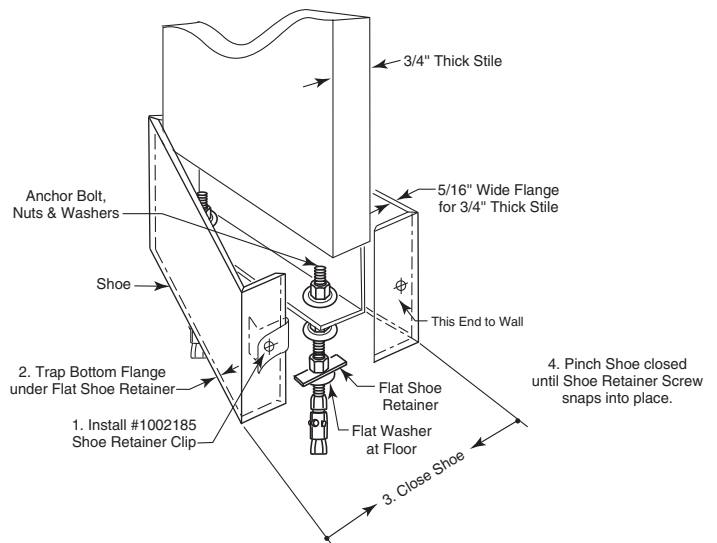


Fig. 16d: Installing Shoe on Stile Mounted Against Wall.

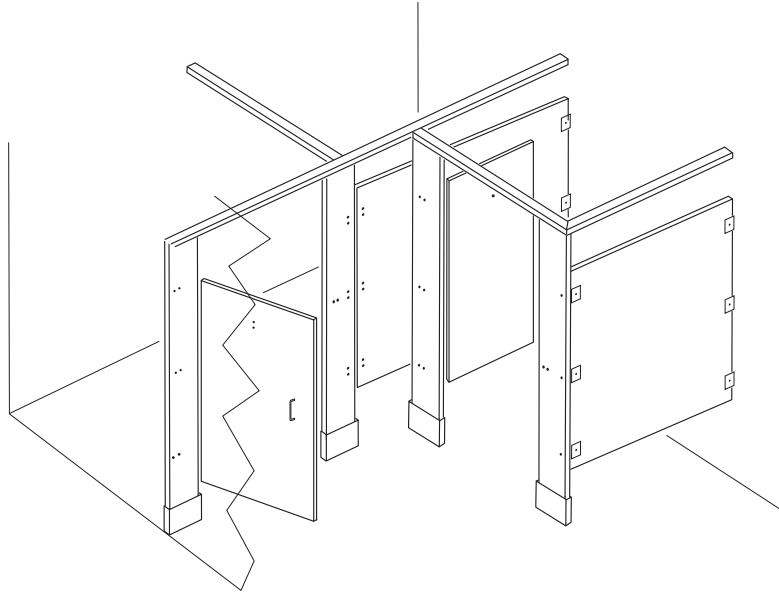


- Remove protective covering and wipe shoe clean.

STEP 17 FINISHING AND CLEANUP

- Remove any exposed labels from the components of toilet compartments.
- Clean surfaces as needed. **CAUTION:** Do not use cleaners containing acids on Bobrick toilet compartments. For example, tile cleaners containing acid may attack the stainless steel hardware or the material surface. For Bobrick cleaning recommendations, refer to TB-21 and TB-60 or use Bobrick Graffiti Remover (Model #891099).

FINISHED INSTALLATION

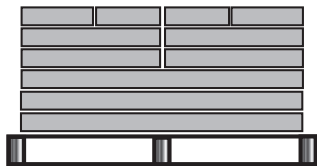


Important Toilet Partition Storage and Handling Information

Store in a clean, dry area. Do not store outside.
Move material to installation area 72 hours before installation.
Always store material flat with weight evenly supported.

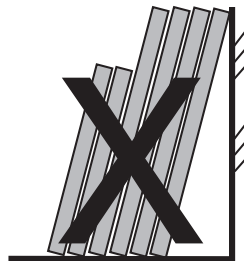
Toilet Partition Stacking

Do This



Stack Flat

Don't Do This



Stack Upright

Failure to follow these instructions may result in warped material which is not covered by Bobrick's warranty.



BUILDING VALUE SINCE 1906

BOBRICK.COM

In the U.S.A.: BOBRICK WASHROOM EQUIPMENT, INC.

Los Angeles: 6901 Tujunga Ave., North Hollywood, CA 91605-6213; Tel: (818) 982-9600, Fax: (818) 503-1102

New York: 200 Commerce Drive, Clifton Park, NY 12065-1350; Tel: (518) 877-7444, Fax: (518) 877-5029,
or e-mail: customerservice@bobrick.com

In Canada: BOBRICK WASHROOM EQUIPMENT COMPANY

45 Rolark Drive, Scarborough, Ontario M1R 3B1

Eastern Canada Tel: (877) 423-6555, Fax: 877-423-8555; Western Canada Tel: (877) 423-6444, Fax: 877-423-8444,
or e-mail customerservice@bobrick.com

1090-69



7 16954 00913 5