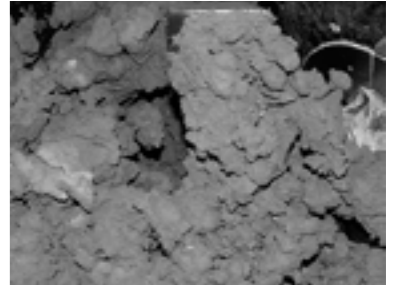




EXCLUSIVE SINK COLLECTION

FIRECLAY HISTORY

“Engineering excellence without aesthetic compromise”



Renaissance Groups “Fireclay Collection” is hand crafted using original slip casting techniques that were first refined over 100 years ago . Developed to meet the durability and aesthetic requirements of the aristocracies working kitchens, it is a testament to fireclays unique properties that has made it the only material to consider manufacturing beautiful ceramic kitchen sinks from when requiring durable elegance.

Our production process is meticulous with every sink being quality checked four times during production and then final inspected prior to dispatch. Only after passing final inspection does the sink become a Renaissance product at which point we proudly attached the quality control certificate and Renaissance emblem to the sinks internal enamel.

LICHFIELD

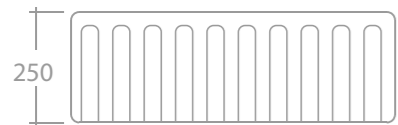
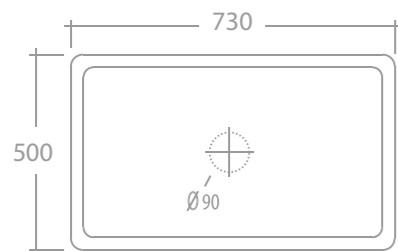


Lichfield is renowned as a modern day kitchen masterpiece.

The fluted apron design of Lichfield perfectly compliments the natural beauty of fireclay.

Every contour is hand sanded and finished by one of our in house potters prior to final firing. This attention to detail can not be achieved through mass production techniques and acts as a testament to the love and attention invested in every Lichfield sink we produce.

Reassuringly manufactured from fireclay and fired at 1600 degrees Lichfield is designed with durability and style in mind. This vital combination of material specification and design detail ensures that every Renaissance Lichfield fluted apron sink is not only a marvel to look at but a long lasting, functional addition to your kitchen and home.



“Engineering excellence without aesthetic compromise”

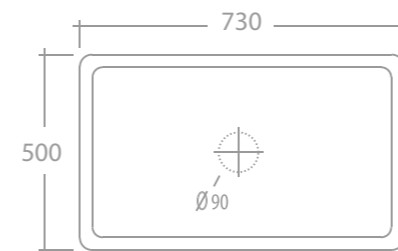
SAVOIE



The beautifully crafted design of Savoie is unmistakably provincial yet retains a strong individual design that pays homage to its past lineage.

Designed with style and functionality in mind the deep bowled Savoie is manufactured from the highest grade fireclay using slip casting techniques and hand finished to ensure complete perfection prior to final firing.

It is only possible to achieve the level of beauty and finish required for every Renaissance Savoie by meticulously following low volume production techniques. As a direct result of our production process Savoie delivers both design detail and an age of durability.

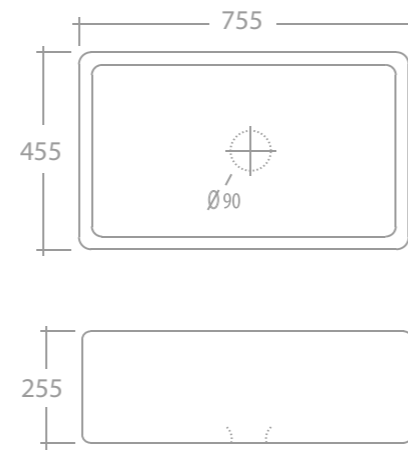
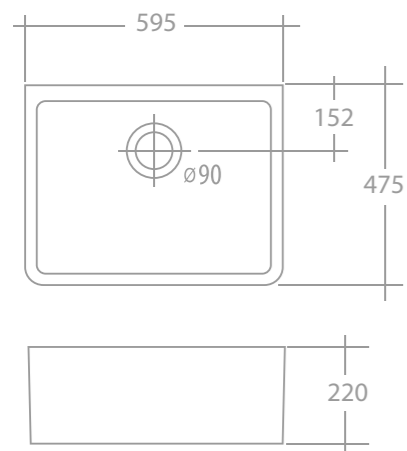


SUTTON



Simplistically styled to bring elegance to modern day kitchen design. Sutton instantly brings warmth and homeliness and signifies a level of craftsmanship, that can only be delivered by designing with products of distinction.

Available in two lengths, 595mm and 755 and manufactured from the highest grade fireclay and fired at 1600 degrees. Sutton is reassuringly durable and visually beautiful.



“Engineering excellence without aesthetic compromise”

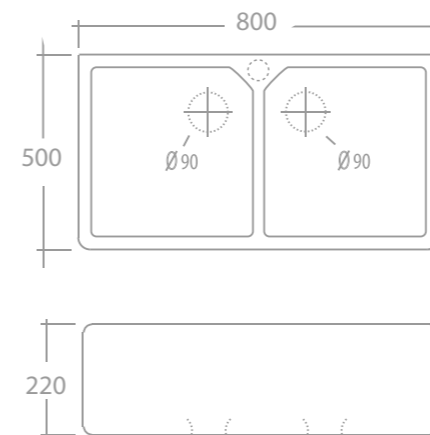
BERRINGTON



Modern day classical kitchen design has seen the original Butler design evolve to accommodate the requirements of modern day life.

Two generously sized separate bowls allow for independent washing and rinsing, whilst the glazed fireclay design accurately pays homage to the Butler family lineage.

Reassuringly designed with durability and style in mind the double butler in not only a marvel to look at but will withstand the daily usage for which it was designed

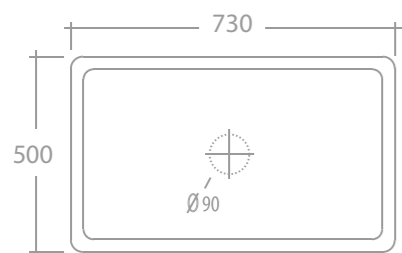


HAMWICK



Designed to pay homage to early English farmhouse design, Hamwick's distinctive apron is beautifully underlined by a delicately detailed cord that invites one to tangibly and emotionally connect.

Manufactured from fireclay using the latest slip casting techniques and fired at 1600 degrees, Hamwick brings farmhouse style to your kitchen combining durability, history and beauty.



"Engineering excellence without aesthetic compromise"

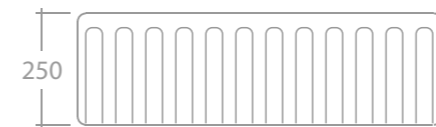
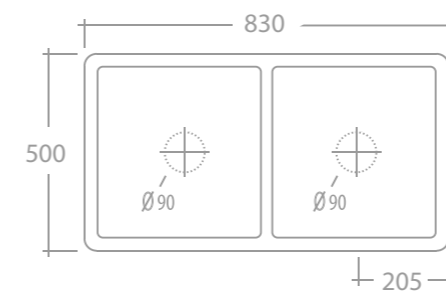
PENNINE



The fluted apron design of Pennine perfectly compliments the natural beauty of fireclay.

Every contour is hand sanded and finished by one of our in house potters prior to final firing. This attention to detail can not be achieved through mass production techniques and acts a testament to the love and attention invested in every Pennine sink we produce.

Double Bowl and single Bowl versions are available.

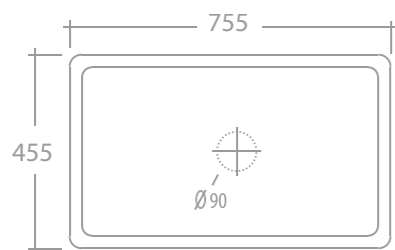


LONGSTONE



Design, Depth and length – Longstone has been designed to visually fit into kitchens requiring a sink with larger washing capacity without detracting from the aesthetic beauty associated with fireclay ceramic sinks.

Manufactured from the highest grade fireclay and fired at 1600 °C. Longstone is reassuringly durable and visually beautiful..



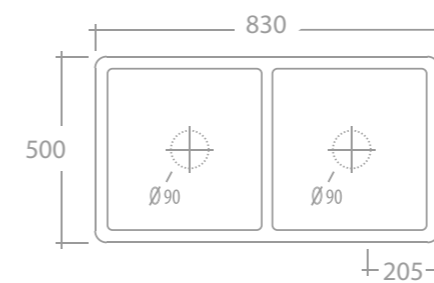
“Engineering excellence without aesthetic compromise”

LONGSTONE DOUBLE



Longstone double offers two bowls allowing for deep washing/soaking and final rinsing..Designed tto visually fit into kitchens requiring a sink with larger washing capacity without detracting from the aesthetic beauty associated with fireclay ceramic.

Manufactured from the highest grade fireclay and fired at 1600 °C. Longstone is reassuringly durable and visually beautiful.



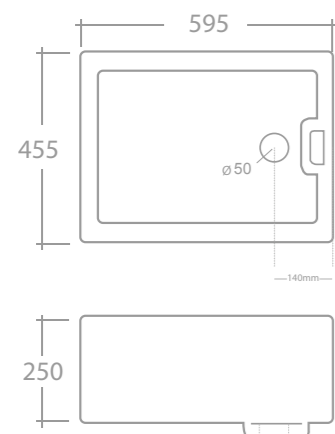
SOMERTON



Belfast design is immediately identifiable and personifies high quality, working kitchen decadence. Defined by its oblong form, channelled overflow and fireclay manufacture

Somerton is glazed on all four sides enabling above counter installation or under-counter design with either long or short face exposed.

Manufactured from fireclay using the latest slip casting techniques and fired at 1600 degrees, Somerton brings classical style to your kitchen combining functionality, history and beauty.



“Engineering excellence without aesthetic compromise”

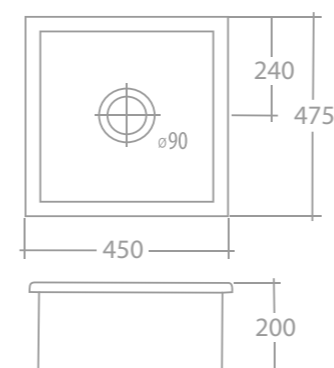
LIVINGSTONE



Discretely adjoining countertop to bench Livingston brings an elegant yet durable alternative to under-mounted kitchen sink design.

The ceramic lip fuses countertop with sink creating a continuous design flow that subtly represents attention to specification detail.

Manufactured from fireclay using the latest slip casting techniques and fired at 1600 degrees Livingston is designed to bring subtle durable beauty to your kitchen design.



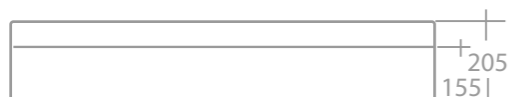
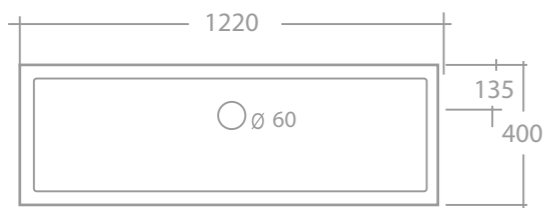
KEDDINGTON



Designed for use in areas requiring a large, aesthetically beautiful durable wash sink, Keddington is relevant in laundry, bathroom, and outdoor areas.

Bench and wall hanging installations are accommodated with hidden brackets designed to fit seamlessly from behind. Standard bench mounting is also accommodated as a result of the even base design, which is only achieved by subjecting every sink to rigorous in house conformance tests prior to dispatch.

Reassuringly manufactured from fireclay and fired at 1600 degrees Keddington withstands heavy usages associated with any high use area, whilst maintaining its composed beauty.



“Engineering excellence without aesthetic compromise”

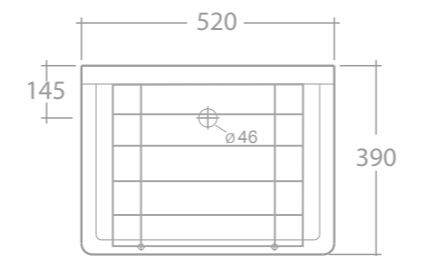
SCULLERY



Scullery sink is specifically designed to accommodate heavy duty cleaning utensils that are utilized when returning kitchens back to visual harmony after dining.

Designed to allow visual consistency when passing from kitchen to laundry. Scullery maintains subtle design consistencies, increasing the feeling of space, allowing two rooms to flow as one

Reassuringly manufactured from fireclay and fired at 1600 degrees Scullery sink will withstand heavy usage whilst maintaining visual beauty.



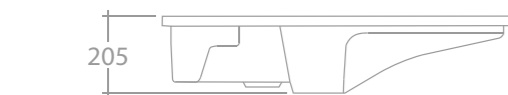
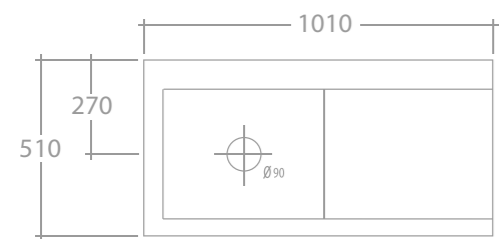
MOET



Within a short period of time Moet has established itself as a modern day kitchen masterpiece.

Contemporary styling reassuringly combines with fireclay design to create a visual marvel. Styled with a clean line drain board which seamlessly flows toward a generously deep wash area.

Moet meets the brief – evolved kitchen design, functionally and beauty.



* Available with or without tap holes.

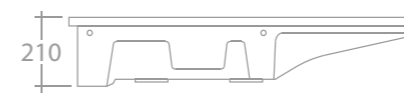
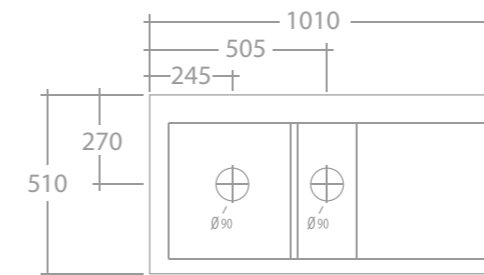
“Engineering excellence without aesthetic compromise”

VERVE



A generous wash bowl is coupled by separate food preparation and waste area adjoining the instantly recognizable Renaissance fireclay collection's clean glazed slope flowing back toward.

Manufactured using slip casting techniques and fired at 1600 degrees to ensure longevity, Verve is aesthetically relevant in kitchens wishing to differential on both quality and detail.



* Available with or without tap holes.

KITCHEN FAUCETS



MILAU
(Bridge sink mixer)

Renowned as one of the greatest French bridges, Millau personifies provincial kitchen design. Manufactured in Europe to ensure both production and design authenticity are maintained, attention to detail is evident at all levels. Solid brass body construction safely houses the latest Ceramic disc technology, delivering longevity and the signature firm yet gliding lever action associated with all Renaissance products.

Milau is available in both wall and deck mounted versions, with porcelain or metal lever handles, and comes in a range finishes, including, chrome, nickel, brushed nickel, European Gold and Rubbed Bronze.



EATON
(Vegi sprayer mixer)

Eaton cleverly combines classical styling with modern day faucet functionality. A generous one metre retractable hose adjoined to a multi function handpiece allows larger utensils to be cleaned over sink if not fitting within. Manufactured in Europe to ensure both production and design authenticity are maintained, attention to detail is evident at all levels. Solid brass body construction safely houses the latest Ceramic disc technology, delivering longevity and the signature firm yet gliding lever action associated with all Renaissance products.

Eaton is available with porcelain or metal handle control and a range of finishes, including, chrome, nickel, brushed nickel, European Gold and Rubbed Bronze.



BEAUXES
(Single hole lever mixer)

Beauxes' single porcelain lever design controls hot/cold and flow bringing simplistic classical elegance to contemporary kitchen mixer design. Manufactured in Europe to ensure both production and design authenticity are maintained, attention to detail is evident at all levels. Solid brass body construction safely houses the latest Ceramic disc technology, delivering longevity and the signature firm yet gliding lever action associated with all Renaissance products.

Beauxes is available with porcelain or metal handle control and a range of finishes, including, chrome, nickel, brushed nickel, European Gold and Rubbed Bronze.



FRÈJUS
(Monobloc Basin mixer)

Delicate porcelain handles vertically adorn a solid brass body which supports the gracious goose swivel spout of Frejus. Manufactured in Europe to ensure both production and design authenticity are maintained, attention to detail is evident at all levels. Solid brass body construction safely houses the latest Ceramic disc technology, delivering longevity and the signature firm yet gliding lever action associated with all Renaissance products.

Frejus is available with porcelain, metal and cross handle control and a range of finishes, including, chrome, nickel, brushed nickel, European Gold and Rubbed Bronze.

KITCHEN FAUCETS



CHAVALET
(Basin 3 hole set)

Chavalets elegance brings an instantly recognisable signature of quality and refined design to kitchens, instantly drawing toward helping to create a point of congregation around which good times unfold. Manufactured in Europe to ensure both production and design authenticity are maintained, attention to detail is evident at all levels. Solid brass body construction safely houses the latest Ceramic disc technology, delivering longevity and the signature firm yet gliding lever action associated with all Renaissance products.

Chavalet is available with porcelain, metal and cross handle control, three distinct spouts, English, French and Deco and a range of finishes, including, chrome, nickel, brushed nickel, European Gold and Rubbed Bronze.



LANGDALE
(Single hole mixer with English spout)

English heritage kitchen faucet design is personified within the fluted "English" spout and cross handle design that adorn the solid brass body design of Langdale. Manufactured in Europe to ensure both production and design authenticity are maintained, attention to detail is evident at all levels. The latest Ceramic disc technology is housed within, delivering longevity and the signature firm yet gliding lever action associated with all Renaissance products.

Langdale is available with porcelain, metal and cross handle control and a range of finishes, including, chrome, nickel, brushed nickel, European Gold and Rubbed Bronze.



BRUNEL
(English bridge sink mixer)

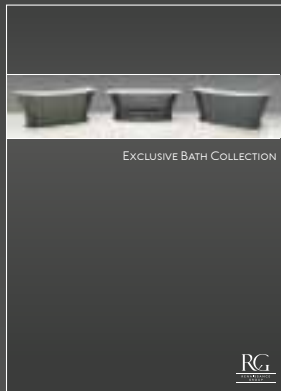
The detailed horizontal span of Brunel adjoins hot to cold and allows flow through a distinctive fluted spout. Manufactured in Europe to ensure both production and design authenticity are maintained, attention to detail is evident at all levels. Solid brass body construction safely house modern jumper valve technology, delivering longevity and the signature firm yet gliding cross handle rotation associated with all Renaissance products.

Brunel is available with cross handles or porcelain lever control and available in a range finishes, including, chrome, nickel, brushed nickel, European Gold and Rubbed Bronze.

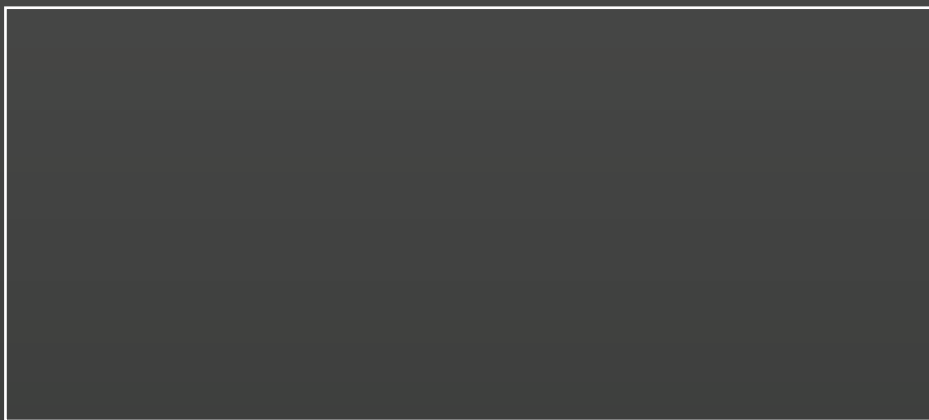


No NAME

OTHER COLLECTIONS



DISTRIBUTED BY



Unit 4, 37 Northlink Pl
Virginia QLD 4014
Ph. +61 7 3266 5222
Fx. +61 7 3266 5233

www.renaissancebathrooms.com.au
sales@renaissancebathrooms.com.au

In view of the Renaissance Groups policy of continuous improvement, the right is reserved to change the specification, finish or price of products illustrated and described in this publication without notice.