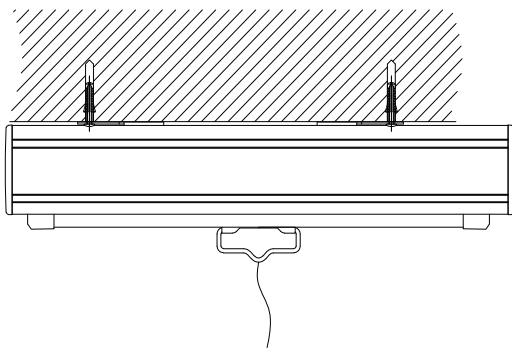


5



Step 5: Fine-tune the product to the desired position and complete the installation.

Notice:

1. Damping Manual Screen

Pull down the screen

Grab the griphook or the rope to pull down the screen gently to the desired position, until the curtain locked.

Pull up the screen

Pull the screen down about 40mm, and retract the screen back by quickly and gently releasing it up. Allow the curtain close automatically.

2. Motorized Screen:

Non-professionals are prohibited from debugging upper and lower limits of the screen.



ONE
SMART
CE GEAR

OPMOTO / OPMAN Motorized / Manual Screen Installation Manual

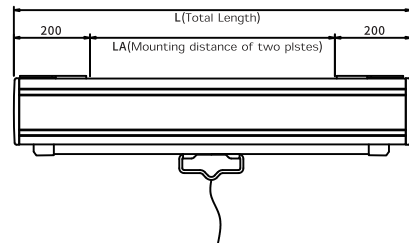


Dimension of OPMOTO/OPMAN series

Format	Size	View Area(W*H)	Top Black Border	Bottom Black Border	L-R Black Border	Package Size (L*W*H)	Housing Size (W*H)	Remark
4:3	100"	2032*1524	300	40	40	2317*140*145	78*87	
	120"	2438*1828	100	40	40	2725*140*145	78*87	
	135"	2743*2057	100	40	40	3030*140*145	78*87	
16:9	100"	2213*1245	425	40	40	2500*140*145	78*87	
	106"	2342*1317	500	40	40	2629*140*145	78*87	
	110"	2435*1370	450	40	40	2722*140*145	78*87	
	120"	2656*1494	330	40	40	2943*140*145	78*87	
	130"	2880*1620	200	40	40	3167*140*145	78*87	
	135"	2988*1681	140	40	40	3275*140*145	78*87	

Wall Mounting Steps

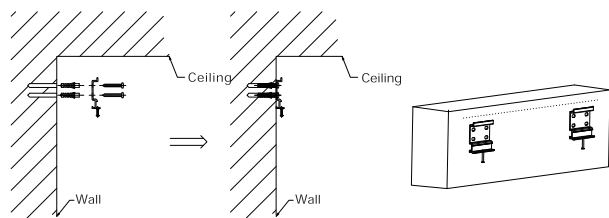
1



Step 1: Measure the product's total length L and calculate the installation distance LA of the two mounting plates.

Note: The best fulcrum on the screen is 200mm from both ends.

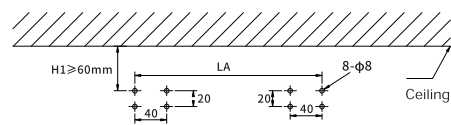
3



Step 3: Hammer $\phi 8$ colloidal particles into 8 holes (the plastic-free part of the colloidal particles is exposed) M5 self-tapping screws are inserted into the $\phi 8$ mm colloidal particles through the hole of the hanging plates (the two hanging plates are parallel to a horizontal plane, as shown in the figure above).

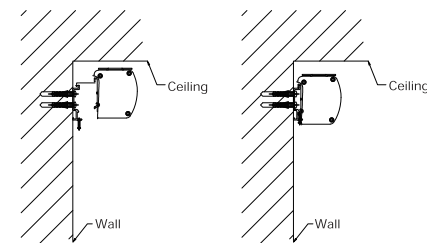
2

2



Step 2: According to the measured distance LA, line the wall position where the projection screen is to be installed and drill 8 $\phi 8$ mm holes (as shown in the figure above) with an electric drill (hammer). The hole depth is about 40-60mm, and it should be noted that the distance between the center of $\phi 8$ mm hole and the ceiling must be $H1 \geq 60$ mm.

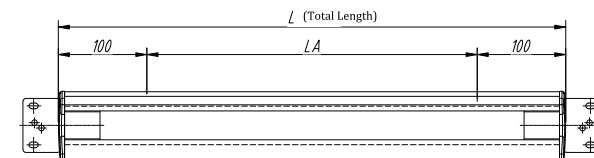
4



Step 4: Hang the product on the hanging board (as shown in the figure above) and tighten the M3x16 screws. If the product needs to be moved left and right, loosen the M3x16 screws to move the product to the desired position.

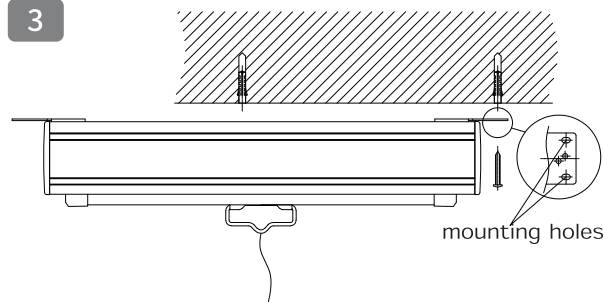
Ceiling Mounting Steps

1



Step 1: Measure the product's total length L and calculate the installation distance LA of the two mounting panels.

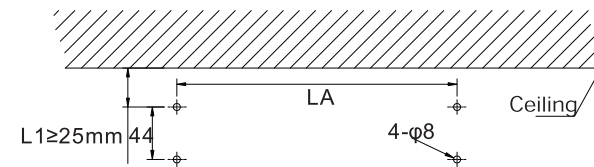
3



Step 3: Knock the plastic granules into $\phi 8$ holes (plastic parts do not stand out the ceiling plane), move both ends of the product top mounting plate to close to the product plastic end cover (as shown in the figure above), two M6 screws through the installation holes, screw into the plastic granules.

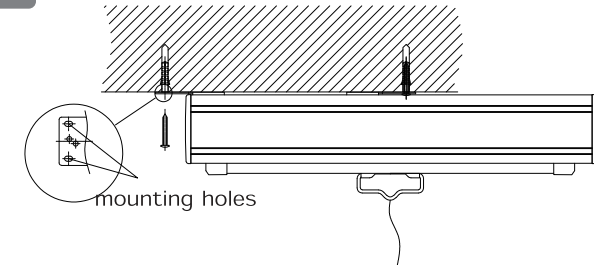
3

2



Tips: Please wear protective equipment when drilling to avoid sand or wood chips falling into your eyes.
Step 2: According to the measured distance LA, the position of the projection screen should be installed on the ceiling for marking and 4 $\phi 8$ mm holes (as shown in the figure above) should be drilled with an electric drill (hammer). The hole depth is about 40-60mm, and the distance from the center point of the $\phi 8$ mm hole to the wall must be $L1 \geq 25$ mm.

4



Step 4: Parallel move the product, align the mounting hole at the other end with the glue particle (as shown in the figure above), and tighten the M6 screw.