

Bluetooth Speaker



3 Light Modes



Magnet Magnifier
Mirror



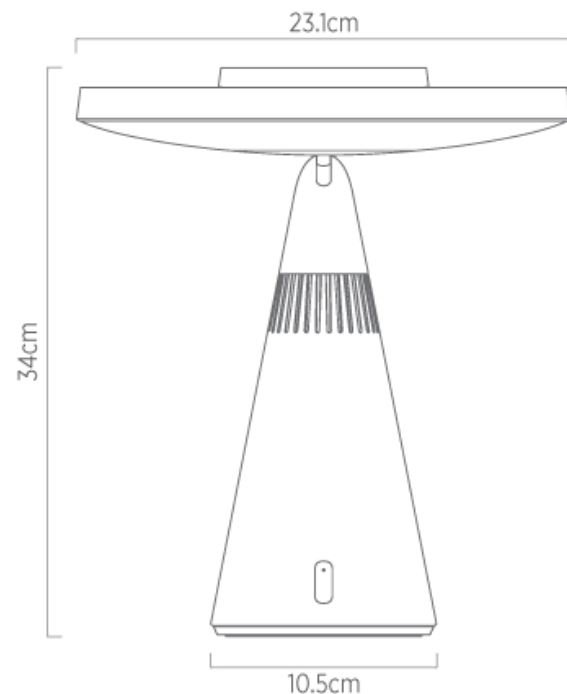
90° Open Lamp

FEATURES:

- **High Lumen Output LED Bulbs**
- **Brightness Adjustment**
- **3 Light Modes**
(natural, warm, cool)
- **Touch Control**
- **Magnet Magnifier Mirror**
- **90° Open Light**
- **Rose Gold Finish**
- **Bluetooth Speaker**

ONE Home Collection LED Beauty Mirror provides the perfect platform to follow your favorite make-up tutorials or get creative. Adjustable Brightness & 3 Light Modes (Natural, Warm and Cool light) settings to meet any lighting situation.

ONE Home Collection LED Beauty Mirror has a ring light design on the face and has an open lamp to light up your table. It can be placed on top of your vanity table in bathroom or studio workshop. Equipped with a bluetooth speaker, we can add a mobile device to connect music. Our LED Beauty Mirror is perfect for commercial areas such as hair salon, wedding or movie dressing room.



UPC: 810054151890