



Detachable Mirror



Energy Saving
LED Bulb



Touch Control



360° Rotation



3 Light Modes



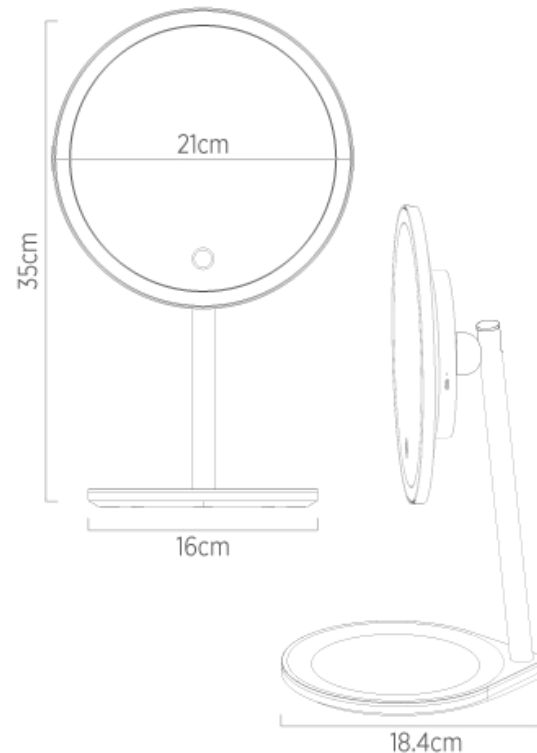
Base Storage

FEATURES:

- **High Lumen Output Ring LED Light**
- **Brightness Adjustment**
- **3 Light Modes (natural, warm, cool)**
- **Touch Control**
- **Detachable Mirror**
- **360° Rotation**
- **Black Finish**
- **Base Storage Included**

ONE Home Collection LED Beauty Mirror provides the perfect platform to follow your favorite make-up tutorials or get creative. Adjustable Brightness & 3 Light Modes (Natural, Warm and Cool light) settings to meet any lighting situation.

ONE Home Collection Detachable LED Beauty Mirror has ring light style surrounding the mirror. It can be placed on top of your vanity table in bathroom or studio workshop. Equipped with ball magnet, we can rotate the mirror and detach it anytime for mobility. Our Detachable LED Beauty Mirror is perfect for commercial areas such as a salon, a wedding or dressing room.



UPC: 810054151913