

ONE FLAT WALL MOUNT

SMART CE GEAR FOR LCD, PLASMA, and LED DISPLAYS

INSTRUCTION MANUAL

SPECIFICATIONS

Display Size: 37" to 100"

Maximum Load: 65 kg (143 lbs)

Mounting Pattern: 600 mm x 400 mm (23.6" x 15.7") max

Profile: 3.9 cm (1.5")

BOX CONTENTS

- Wall Plate (x1)
- Instruction Manual (x1)
- Mount Arm (x2)
- Hardware Kit (x1)

WARNINGS















- 1 Read these instructions before you begin.** If you are unsure of any part of the process, contact a professional contractor or installer for assistance. Improper installation can result in injury or damage.
- 2 The wall or mounting surface must be capable of supporting the combined weight of the mount and the display; if not, the structure must be reinforced.**
- 3 Locate pipes, wires, or any other hazards in the wall where you wish to install the mount before drilling.**
- 4 Safety gear and proper tools must be used. Failure to do so can result in injury or damage.**
- 5 Two people are recommended for installation. Do not attempt to lift a heavy display without assistance.**
- 6 Follow all instructions and recommendations regarding adequate ventilation and suitable locations for mounting your display. Consult the owner's manual for your particular display for more information.**

⚠ CAUTION: This wall mount is intended for use only with the maximum weight of 65 kg (143 lbs). Use with heavier than the maximum weights indicated may result in instability causing possible injury.

TOOLS REQUIRED

- Phillips Head Screw Driver
- Ratchet or Driver with 13 mm (1/2") Socket
- Electric or Portable Drill
- 6 mm (1/4") Drill Bit and Stud Finder for Drywall Installation
- 10 mm (3/8") Masonry Bit for Concrete Installation

HARDWARE KIT

- | | |
|---|--|
| (A) M8 x 63 Lag Bolt (x4) | (I) M8 x 30 Screw (x4) |
|  |  |
| (B) Lag Bolt Washer (x4) | (J) M8 x 50 Screw (x4) |
|  |  |
| (C) Concrete Anchor (x4) | (K) M8 Washer (x4) |
|  |  |
| (D) M4 x 15 Screw (x4) | (L) Short Spacer (x4) |
|  |  |
| (E) M5 x 15 Screw (x4) | (M) Long Spacer (x4) |
|  |  |
| (F) M5 Washer (x4) | (N) Long Allen Key (x1) |
|  |  |
| (G) M6 x 15 Screw (x4) | |
|  | |
| (H) M8 x 15 Screw (x4) | |
|  | |

INSTALLATION

Part 1A – Mounting to the Wall (Drywall)

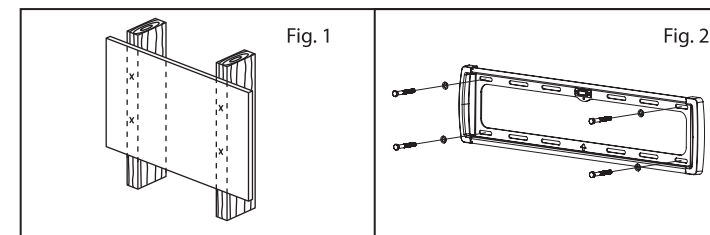
IMPORTANT! For safety reasons, this mount must be secured to at least two wood studs no less than 16" apart. The studs must be capable of supporting the combined weight of the mount and display.

- 1** Use a high quality stud finder to locate two adjacent studs where you wish to install your mount. Mark both edges of each stud to help identify the exact center.

Part 1A – Mounting to the Wall (Drywall) (continued)

NOTE: You must use the center of each stud to avoid cracking or splitting the wood during installation.

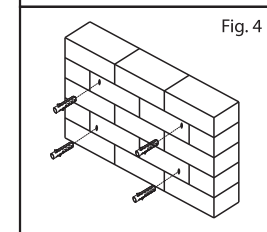
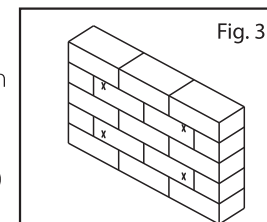
- 2** Place the wall plate against the wall with the arrow pointing up and level it using the integrated bubble level.
- 3** While another person holds the wall plate in position, mark four locations (two per stud) for securing the mount to the wall (see Fig. 1).
- 4** Set the wall plate aside and drill a 6 mm (1/4") pilot hole at each marked location.
- 5** Place the wall plate back against the wall and attach it using the lag bolts (A) and lag bolt washers (B) provided (see Fig. 2). **Do not over-tighten these bolts and do not release the wall plate until both bolts are in place.** Ensure that the wall plate remains level after tightening the bolts.



Part 1B – Mounting to the Wall (Concrete)

IMPORTANT! For safety reasons, the concrete wall must be capable of supporting the combined weight of the mount and the display. The manufacturer takes no responsibility for failure caused by walls of insufficient strength.

- 1** Place the wall plate against the wall in the desired location with the arrow pointing up and level it using the integrated bubble level.
- 2** While another person holds the wall plate in place, mark four locations on the wall for securing the mount (see Fig. 3).
- 3** Set the wall plate aside and drill a 10 mm (3/8") hole at each marked location. Remove any excess dust from the holes.
- 4** Insert a concrete anchor (C) into each hole so that it is flush with the concrete surface (see Fig. 4). A hammer can be used to lightly tap the anchors into place if necessary.



Part 1B – Mounting to the Wall (Concrete) (continued)

NOTE: If the concrete wall is covered by a layer of plaster or drywall, the concrete anchor must pass completely through the layer to rest flush with the concrete surface.

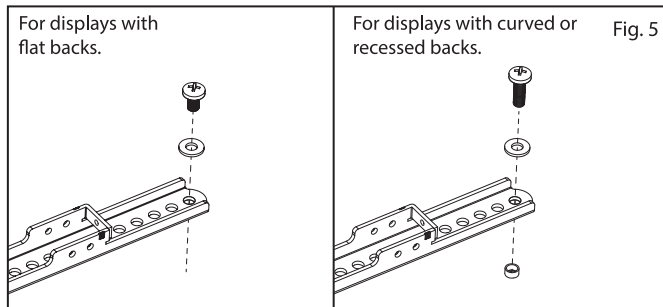
- 5 Place the wall plate back against the wall and attach it using the lag bolts (A) and lag bolt washers (B) provided (see Fig. 2). **Do not over-tighten these bolts and do not release the wall plate until both bolts are in place.** Ensure that the wall plate remains level after tightening the bolts.

Part 2 – Attaching the Mount Arms to the Display

IMPORTANT! Use extra care during this part of the installation. If possible, avoid placing your display facedown as it may damage the viewing surface.

NOTE: This mount comes with a selection of different screw diameters and lengths to accommodate a wide variety of display models. Not all of the hardware in the kit will be used. If you cannot find the appropriate screw size in the kit provided, consult the manufacturer of your display for more information.

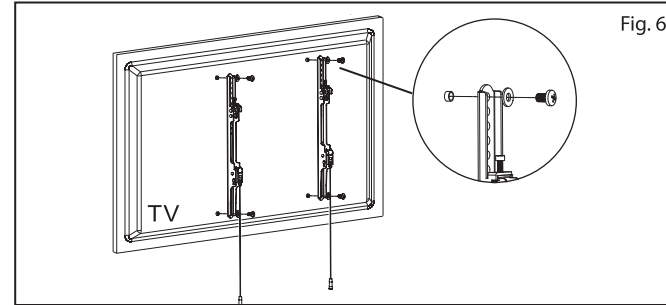
- 1 Determine the correct length of screw to use by examining the back of your display (see Fig. 5):
 - A If the back of your display is flat and the mounting holes are flush with the surface, you will use the shorter screws (D, E, G or H) from the hardware kit.
 - B If the back of your display is curved, has a protrusion, or if the mounting holes are recessed, you will need to use the longer screws (I or J). If you are using M8 x 30 screws, you may also need to use the short spacers (L). If you are using M8 x 50 screws, you may also need to use the long spacers (M).



- 2 Determine the correct diameter of screw to use by carefully trying one of each size (M4, M5, M6 and M8) from the hardware kit. **Do not force any of the screws – if you feel resistance stop immediately and try a smaller diameter screw.**

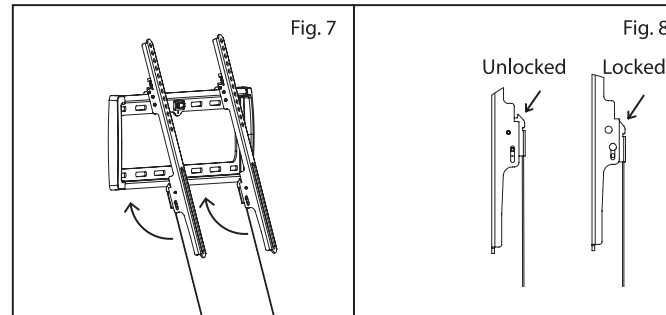
Part 2 – Attaching the Mount Arms to the Display (continued)

- 3 Attach the mount arms to the back of your display using the screws identified in steps 1 and 2 (see Fig. 6):
 - A If you are using M4 and M5 screws, you will also need to use the M5 washers (F). If you are using M6 and M8 screws, use the M8 washers (K).
 - B If you are using the longer screws on a display with a curved or recessed back, you may also need to use the spacers (L or M).



Part 3 – Final Assembly

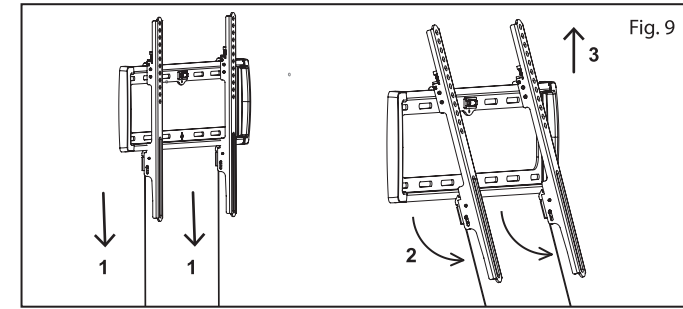
- 1 With the help of another person, carefully lift your display and place it on the wall plate. Gently apply pressure to the bottom of your display so that the clips on the mount arms lock to the wall plate (see Fig. 7). **Do not release the display until the mount arms have securely hooked onto the wall plate.**



IMPORTANT! Verify that both arms are locked to the wall plate. For safety reasons, this mount cannot be used unless both arms are securely locked (see Fig. 8).

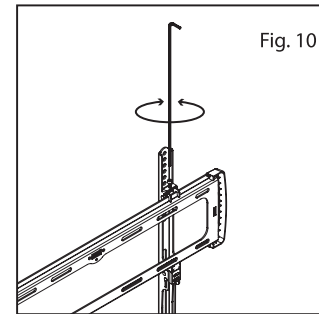
- 2 To remove your display from the wall, pull down on both cables to unlock the arms and carefully lift the display from the wall plate (see Fig. 9).

Part 3 – Final Assembly (continued)



OPERATION AND ADJUSTMENT

- 1 To make level correction adjustments, have one person hold the display firmly in place while another person slightly raise or lower the level correction screws using the long Allen key (N) (see Fig. 10), which will in turn raise or lower the mount until level. **Never fully loosen or remove these screws.**



- 2 Periodically clean your mount with a dry cloth. Inspect all screws and hardware at regular intervals to ensure that no connections have become loose over time. Re-tighten as needed.