



KODIAK™ CANVAS

Flex-Bow™ Tent Owner's Manual



Important! For safe and proper assembly, use, and care read and follow all instructions. Everyone who uses this tent should first read this manual.

v615

www.KodiakCanvas.com

WARNING

No Fire

This tent is flammable. Keep all flame and heat sources away from the tent fabric. Never place a stove, campfire, or any other flame source in or near your tent. Never use, light, or refuel a stove, lantern, heater, or any other heat source inside your tent. Death by carbon monoxide poisoning and/or serious burns are possible.

Ventilation

Maintain adequate ventilation inside your tent at all times. Death by suffocation is possible.

Anchor

This tent is not free-standing. If not properly anchored it will collapse. Anchor your tent properly at all times to reduce the risk of loss or injury to the tent or occupants.

Campsite Choice

Carefully consider the possibility of falling rocks or tree limbs, lightning strikes, flash floods, avalanches, strong winds, and other objective hazards when choosing a campsite to reduce the risk of loss or injury to the tent or occupants.

Children

Do not leave children unattended inside a tent or camp. Do not allow children to assemble or disassemble the tent. Do not allow children to remain closed-up in a tent on hot days. Do not allow children to swing on or hang from any part of this tent, organizers, or guylines. Failure to follow these warnings may result in injury and/or death.

Kodiak Canvas™ Limited Lifetime Warranty

This product is warranted, to the original purchaser, to be free of defects in materials and workmanship for as long as you own the product. This product is made with quality materials and expert workmanship, but is not indestructible. This warranty does not cover damage attributed to or resulting from normal wear and tear (e.g. exhausted zippers), natural hazards (e.g. weather, animals), abuse (e.g. mold, mildew, burns, ultraviolet), or alterations or modifications of any kind. If your product is found defective, we will repair or replace it free of charge. Charges for shipping your product to Kodiak Canvas will be your responsibility. We reserve the right to make substitutions if parts are unavailable or obsolete. If your product needs repair beyond what is covered under warranty, we will provide parts and service at a reasonable charge.

This warranty gives you, the original purchaser, specific legal rights. You may also have other rights which vary from state to state. **Do not return your product until you have received authorization and instruction to do so.**

To obtain service contact us at www.KodiakCanvas.com, or write to:

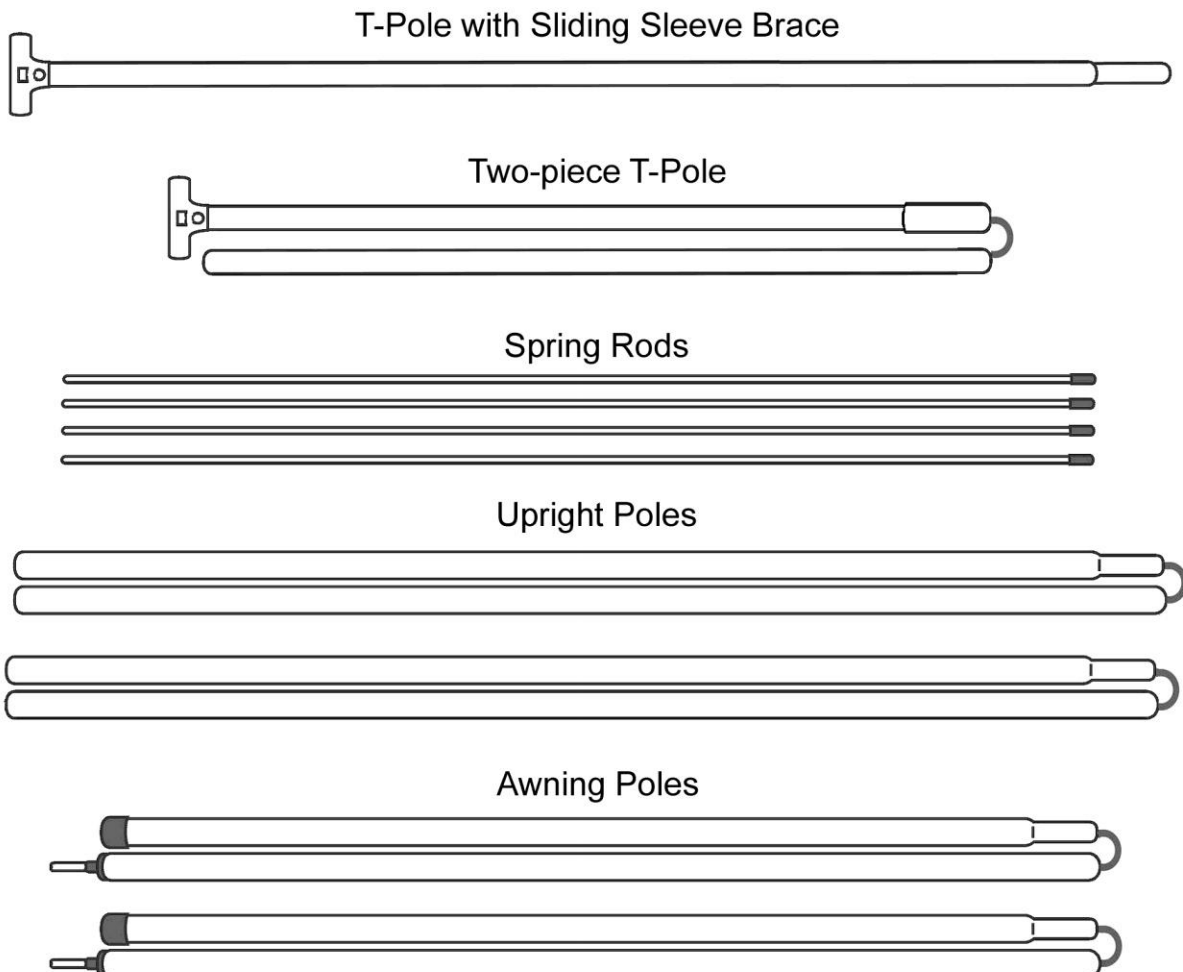
Kodiak Canvas Customer Service
PO Box 762
Layton, UT 84041, USA.

Component Checklist for 10x10 and 10x14 Tents

- Identify all components and make sure they are in good condition and working order.

Qty	Item
1	Tent Body
1	T-pole with Sliding Sleeve Brace
1	Two-piece T-pole
4	Spring Rods
2	Upright Poles
2	Awning Poles
2	Adjustable Guylines
1	Pocket Organizer*
1	Mesh Bag Organizer*
1	Gear Loft*
18	12-inch Metal Stakes
1	Strap-and-Cinch Tent Bag*
1	Pole Bag
1	Stake Bag

* Strap-and-cinch storage bag, organizers, and gear loft included only with deluxe and VX models. Basic models include a zippered storage bag.

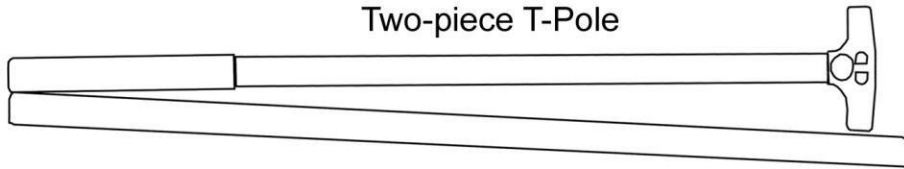


Component Checklist for 9x8 Tents (Model 6098)

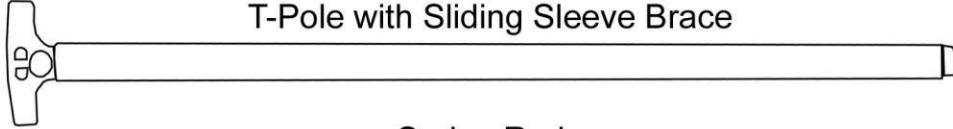
- Identify all components and make sure they are in good condition and working order.

Qty	Item
1	Tent Body
1	Two-piece T-pole
1	T-pole with Sliding Sleeve Brace
4	Spring Rods
2	Upright Poles
2	Awning Poles
2	Adjustable Guylines
1	Pocket Organizer
1	Mesh Bag Organizer
18	12-inch Metal Stakes
1	Zippered Storage Bag
1	Pole Bag
1	Stake Bag

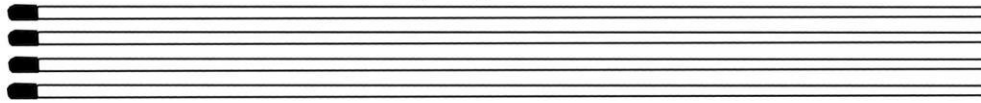
Two-piece T-Pole



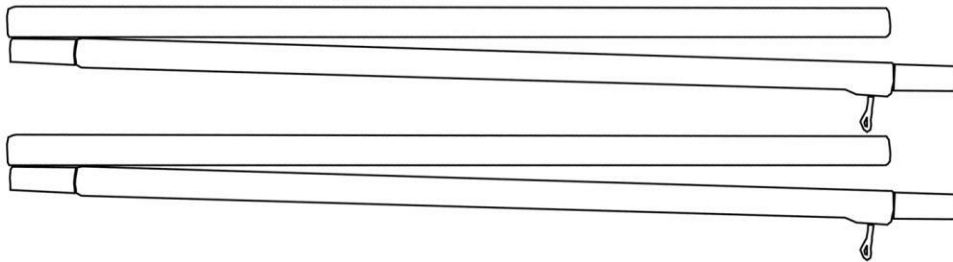
T-Pole with Sliding Sleeve Brace



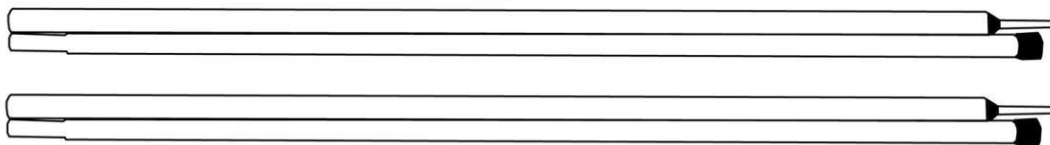
Spring Rods



Upright Poles



Awning Poles



Before You Set Out

- It is recommended that you assemble this tent at home at least once before your trip to familiarize yourself with the process, and make sure your tent is in good order.
- After initial set-up it is recommended that you spray the tent lightly with water and allow it to dry completely. This seasons the canvas. The water causes the canvas to shrink slightly, closing needle holes where the canvas was stitched. This process is only required once.

Waterproofing

Kodiak Canvas™ tents are made with Hydra-Shield™ canvas that features superb water repellency and breathability. Not all tents, however, are completely waterproof out of the box. On occasion, a new tent will experience some leaking. Over the life of the tent, occasional, waterproofing maintenance will be required. If leaking occurs, it is an easy fix. Treat the affected area with a *SILICONE* based waterproofing such as Kiwi Camp Dry®. This should absolutely take care of any leaks, and you should seldom have to retreat. Caution: Do not use other types of waterproofing such as Canvak® on Kodiak Canvas tents, as it could affect the breathability of the Hydra-Shield™ canvas. When properly sealed, your expectation should be that a Kodiak Canvas tent will be completely dry inside, even during drenching rains.

Assembly

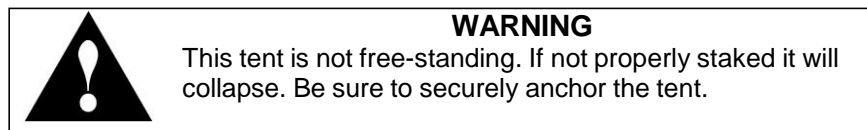
The use of protective gloves and eyewear is recommended during assembly.

STEP 1: Stake the Tent

Stake each of the tent's four corners, making sure that the tent is taut and square. Continue to place a stake at all the remaining stake loops (14 total) and D-rings (2). Do not over tighten. Do not yank on stake loops.

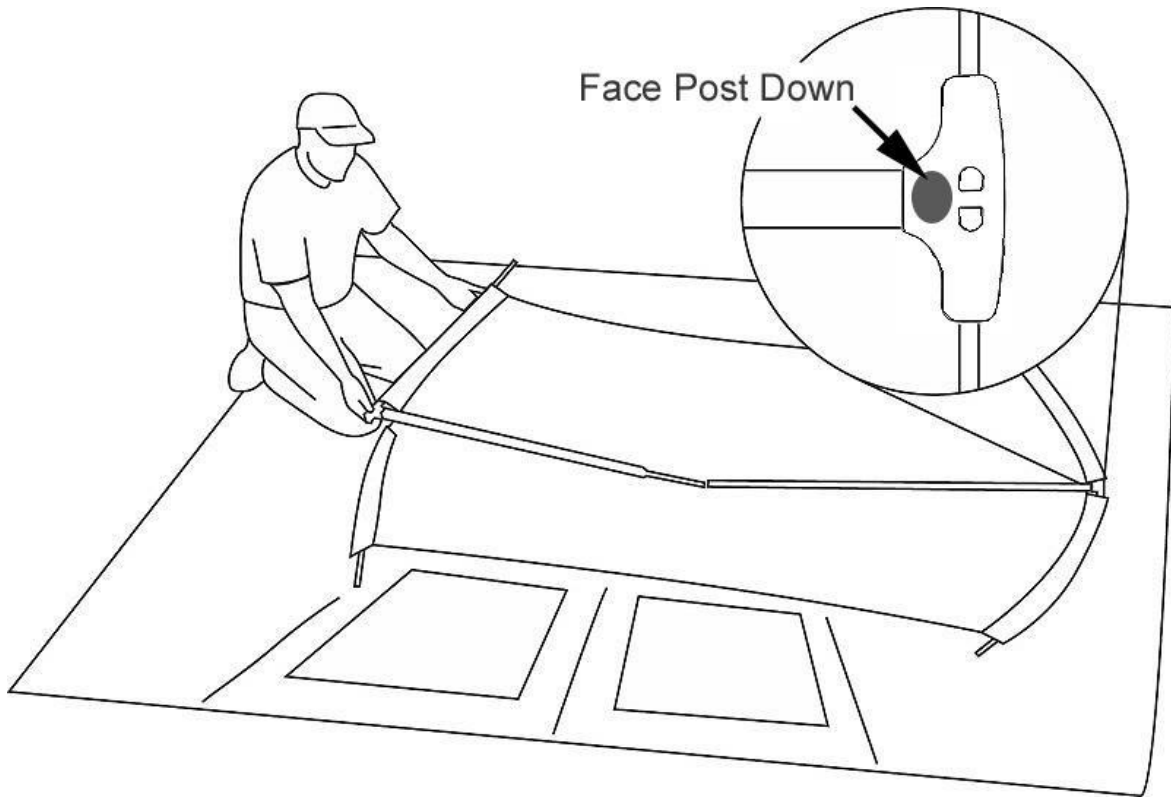
Tips:

- Drive in stakes with the tip angling toward the tent. Secure hooks on the end of the stakes over the tent loops. **Be careful to hit the stake not the tent. Hitting the tent or stake loop with a hammer on hard ground can damage your tent.**
- A rubber mallet works great to drive stakes.
- In soft sand or snow, use a dead-man anchor. Bury a horizontal piece of wood approximately 12 – 18 inches deep with a guyline connecting to the stake loop. **Make sure that the anchor is secure.**

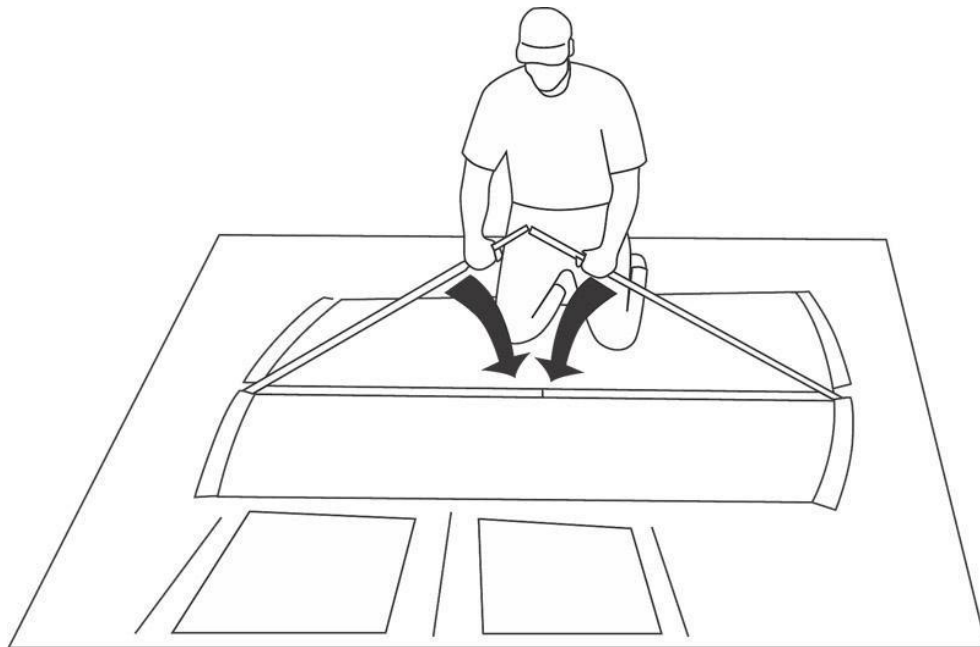


STEP 2: Assemble the Frame

- 1) Join the two-piece T-pole.
- 2) Ensure that the sliding sleeve brace is slid all the way down onto the other T-pole. The sliding sleeve brace is a steel tube. If it has become separated from the T-pole, locate it, and place it in position. It may be necessary to press the push-pin in to allow the brace to slide all the way down.
- 3) Lay both T-poles across the top of the tent. Face the posts on the T-connecters down.
- 4) Insert a spring rod through each of the four sleeves on the top of the tent and into the T-poles. The openings in the T-pole connectors allow you to see when the rods are inserted completely. **Be sure that the spring rods are inserted completely, or parts may be damaged!**

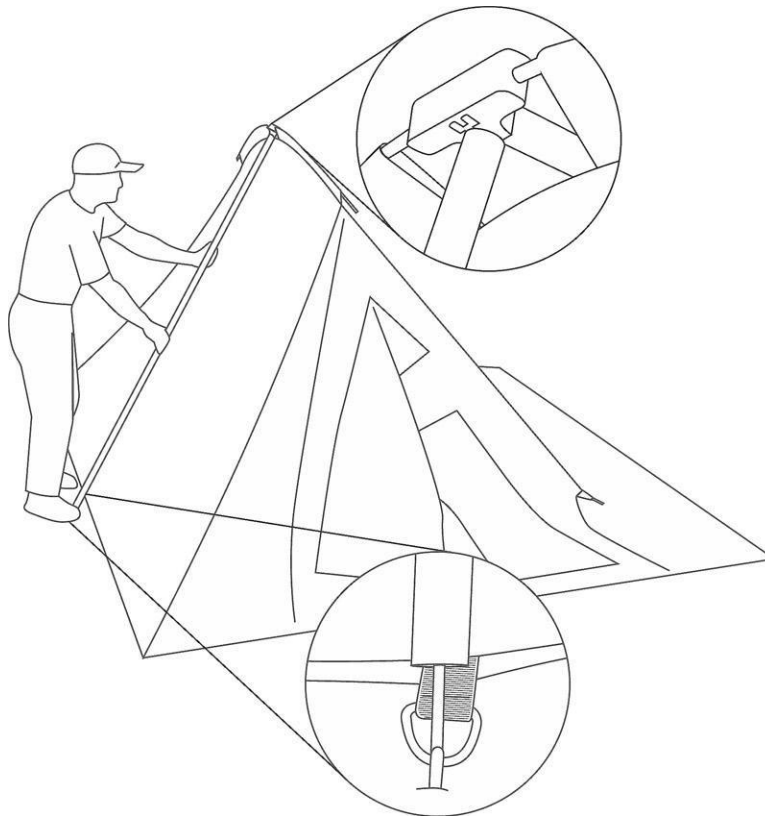


5) Match the ends of the T-poles so that they are touching. Grasp both poles firmly and push down.



	<p>WARNING Poles are under tension. Grasp poles firmly. Keep face away from poles. Keep hands away from the pole joint to avoid pinching.</p>
--	--

- 6) Slide the sleeve brace over the pole joint until the push-pin locks the brace into place. Double check to make sure the spring rods are seated all the way into the T-poles. If not, disassemble and repeat 4 and 5 above. NOTE: To disassemble, push the pin in to slide the brace away from the joint.
- 7) Join upright poles.
- 8) Unzip doors to allow air to enter. Raise the tent end and insert the end of the upright pole onto the post on the bottom of the T-pole. Lift the pole and place pole bottom over the pin attached to the D-ring at the bottom of the tent.



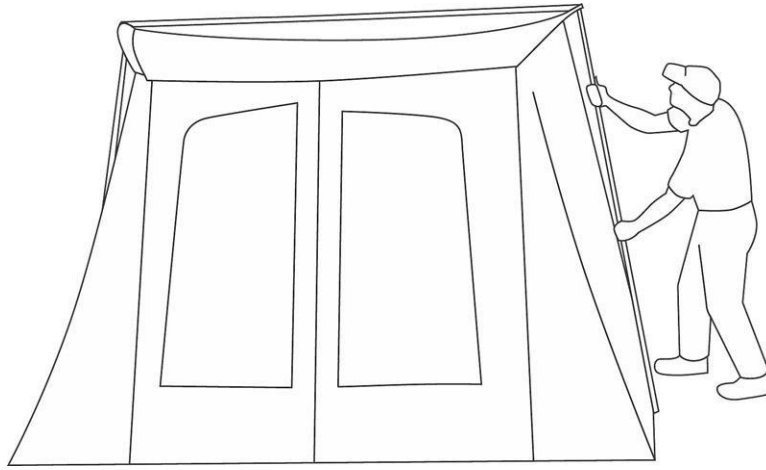
WARNING

Hold poles firmly. Avoid pinch points.

- 9) Repeat step 8 on the other side of the tent.

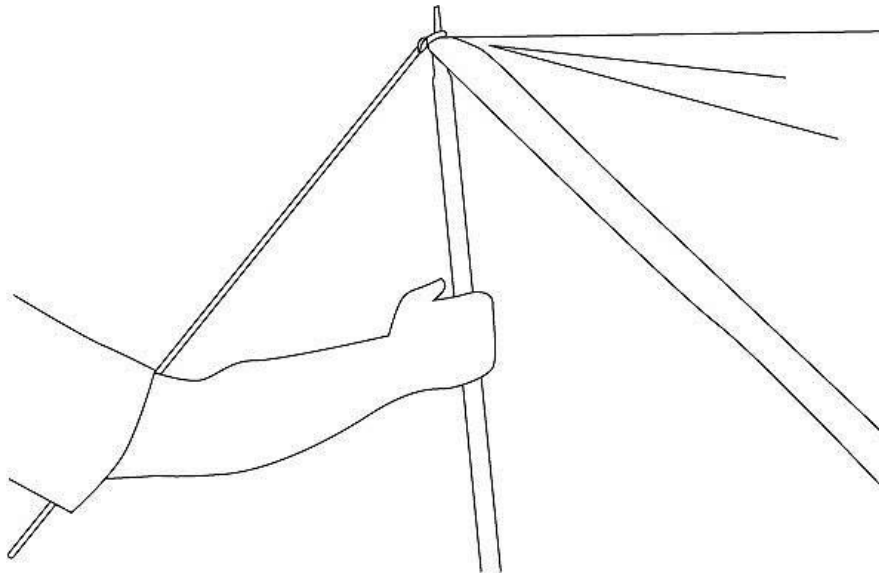
Note: For 9x8 tents only (model 6098).

The 9x8 tents are equipped with adjustable upright poles. This is to allow for compact storage. Lengthen the uprights by loosening the thumbscrews and extending the inner pole. Adjust the upright poles so the tent is taut—do not stretch too tight. Tighten thumbscrews finger-tight. To loosen, first take the weight off of the pole, then turn thumb screw. Avoid pinch points.



STEP 3: Awning Set-up

- 1) Join awning poles. Place the tip of the awning pole through the corner grommet at the end of the awning.
- 2) Tie a small loop in the end of the guyline. Place loop over the tip of the pole. Stake the guyline. Adjust the clasp so guyline is taut. Repeat on other side.




Tips:

- If rain is expected, lower the awning poles by slanting them. This will allow rain to drain away from tent, and prevent water from pooling on the awning.
- In strong wind or heavy snow conditions, roll and stow awning.
- When stowing, roll awning down and under so water will run off and not pool on the roll. This is best done with two people.

Special Features

- Funnel-flow vents (Models 6010, 6014, 6098 only). Designed so a gentle breeze will actually funnel into the vents and force air to move through the tent. Positioned at the top to help allow heat to escape on a hot day. Zip them closed when not needed.

- Interior tie-rings. Use them to clip on the organizer accessories, attach gear, lights, clotheslines etc.
- Gear loft (Deluxe and VX 10x10 and 10x14 models only). Can be used in horizontal attic style, or sling style. For **attic style**, clip the corners of the gear loft spread out into four corresponding tie-rings in the ceiling. For **sling style**, fold lengthwise. Clip two of the loft clips into one of the corner tie-rings, and clip the other two into the opposing corner.
- Pocket Organizers (Deluxe and VX models only). Clip them on the tie rings just under the vents. Put one on each side, or clip one to the bottom of the other.



WARNING


Tie-rings, gear loft, and organizers are designed for lightweight gear and personal articles. Do not place heavy objects in them or damage to the tent, or injury to the occupants may occur.

- Cinch button tie-backs. Securely tie back doors, windows, and awning.

Taking Down and Storing the Tent

STEP 1: Clean and Dry

- 1) Sweep out any dirt or food particles.
- 2) Empty all storage pockets and organizers.
- 3) Zip down windows and allow tent to air out and dry inside and out. Allow tent to dry completely!




CAUTION

VERY IMPORTANT—Your tent must be completely dry, inside and out, before storage! Your tent may be damp from condensation even if there has been no rain. Storing a wet or damp tent, even for a short time, can ruin it and void the warranty. This causes mold that will cause a bad odor, stain and deteriorate the canvas and its water repellency.

If you must take the tent down while still wet or damp, loosely roll it for transport. After transport, immediately unroll and set up or hang out to dry thoroughly before long-term storage.

STEP 2: Collapse Tent

- 1) Unzip windows and doors. This will allow the air to quickly escape.
- 2) Collapse both Upright Poles allowing T-poles to lay flat on the ground.
- 3) Grasp T-pole firmly. Push in the push-pin and slide back the sleeve brace.



WARNING

Poles are under tension. Do not attempt to unjoin T-poles until they are flat on the ground, or damage to the tent, or injury could result. Grasp poles firmly. Keep face away from poles.

- 4) Remove all poles from tent and stow in pole bag. **Note: A slight permanent bend in the spring rods is normal.**
- 5) Remove stakes. Clean off moisture and dirt and store in stake bag.

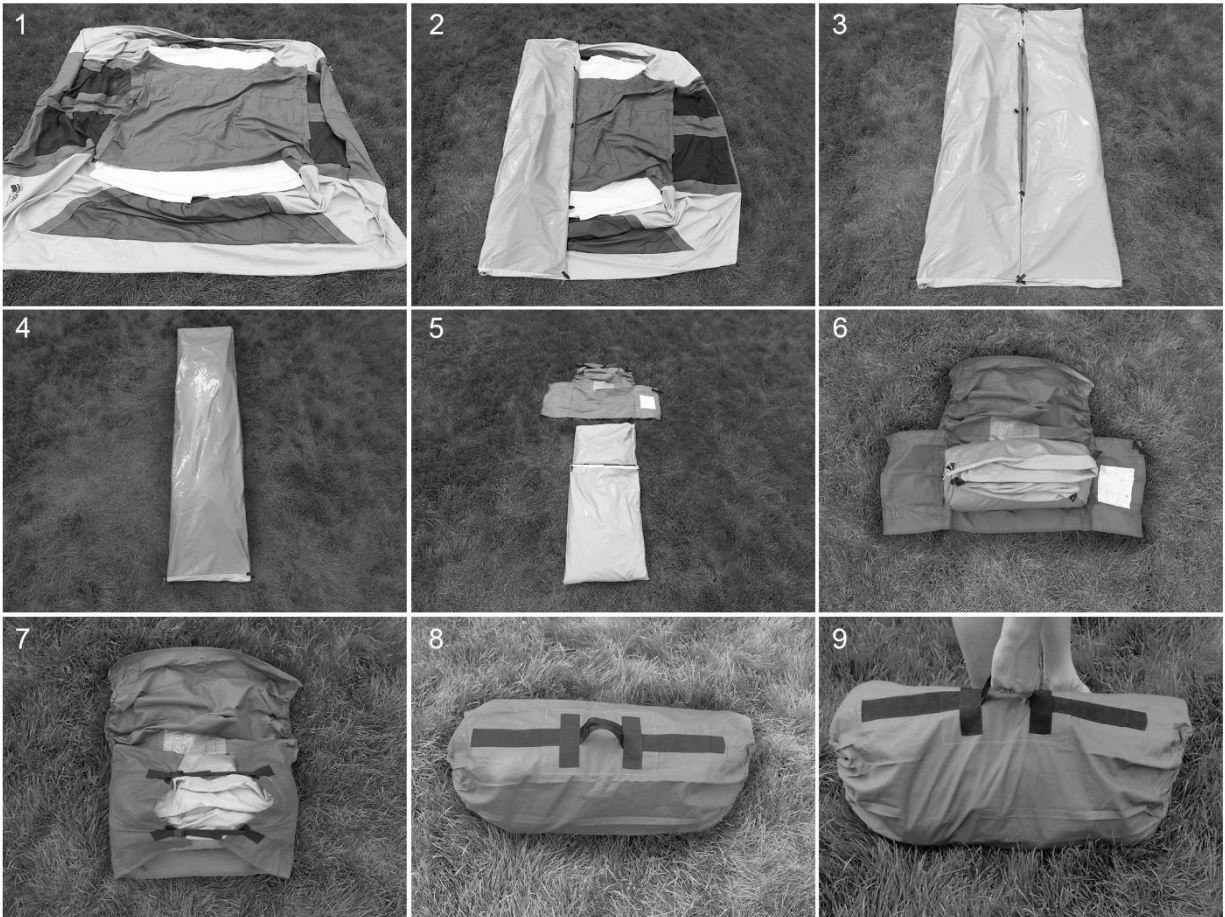


CAUTION

To avoid tearing or damaging the tent, do not remove stakes by pulling with the tent stake loops. Use a hammer, a piece of rope, or a stake puller to remove stakes.

STEP 3: Storage

Fold and roll tent as show in photos below. 1 Lay tent out flat. 2-3 Fold front and back edges of the tent to the middle. 4 Fold lengthwise down the middle. 5 fold the bottom up about 3/4 of the way. 6 Roll. **For models with strap-and-cinch storage bag (10x14, and 10x10 deluxe and VX) place on bag as shown in photos below.** 7 Fold sides of bag over tent roll, and clip buckles. 8 Fold top cover over, and clip buckles.



Tip for zippered storage bags (basic models and 6098 only): Fold lengthwise to the width of the storage bag and roll. Rather than lifting the rolled tent into the storage bag, place the storage bag over the rolled tent and then roll over so zipper is upright, and zip.

Care

- VERY IMPORTANT—The tent must be completely dry before storage! STORING A WET OR DAMP TENT, EVEN FOR A SHORT TIME, CAN CAUSE MOLD. THIS CAN RUIN THE TENT, AND WILL VOID THE WARRANTY.
- To clean tent, hose down with water and wipe with a cloth. Soaps and detergents can damage the water-repellant treatment of the canvas.
- Do not spray insecticides or bug repellent directly on the canvas. This may damage the water-repellant treatment.
- For long-term storage, store in a cool dry location that is not exposed to direct sunlight.
- This tent is equipped with quality zippers. To prolong zipper life, do not —grind zippers around corners. If needed, pull the canvas windows, or doors to help zippers glide smoothly. Keep them clean from dirt.
- The canvas on your tent has a special Hydra-Shield™ treatment that is watertight and breathable. You should rarely, have to retreat the canvas. If you do need to spot treat the canvas for water repellency, use a silicone based repellent such as Kiwi Camp Dry®. Other treatments can clog the pores in the canvas, eliminating its breathability.
- Winter camping can be an enjoyable experience in a Kodiak Canvas tent. However, it is not designed for heavy snow accumulations, or snow loads for extended periods of time. During heavy snow storms, clear the snow off the tent on occasion as needed.
- For extended use situations (more than three consecutive weeks) see —Extended use Care at www.KodiakCanvas.com.

Other Notes

- Condensation inside the tent is affected by the difference between inside and outside temperatures, and humidity. Condensation can be reduced by venting your tent. Condensation between the floor and a sleeping mat can be reduced by placing a ground cloth underneath the tent.
- Some slight irregularities are normal with 100% cotton canvas and will not affect the performance of your tent.

We appreciate your business. Thank you for purchasing a Kodiak Canvas™ tent. We put our pride into the design and manufacturing of this product. It is the best of its kind available. We wish you safe and happy camping. Please tell your friends about us.

For parts, accessories, and additional information, please visit:

KodiakCanvas.com