

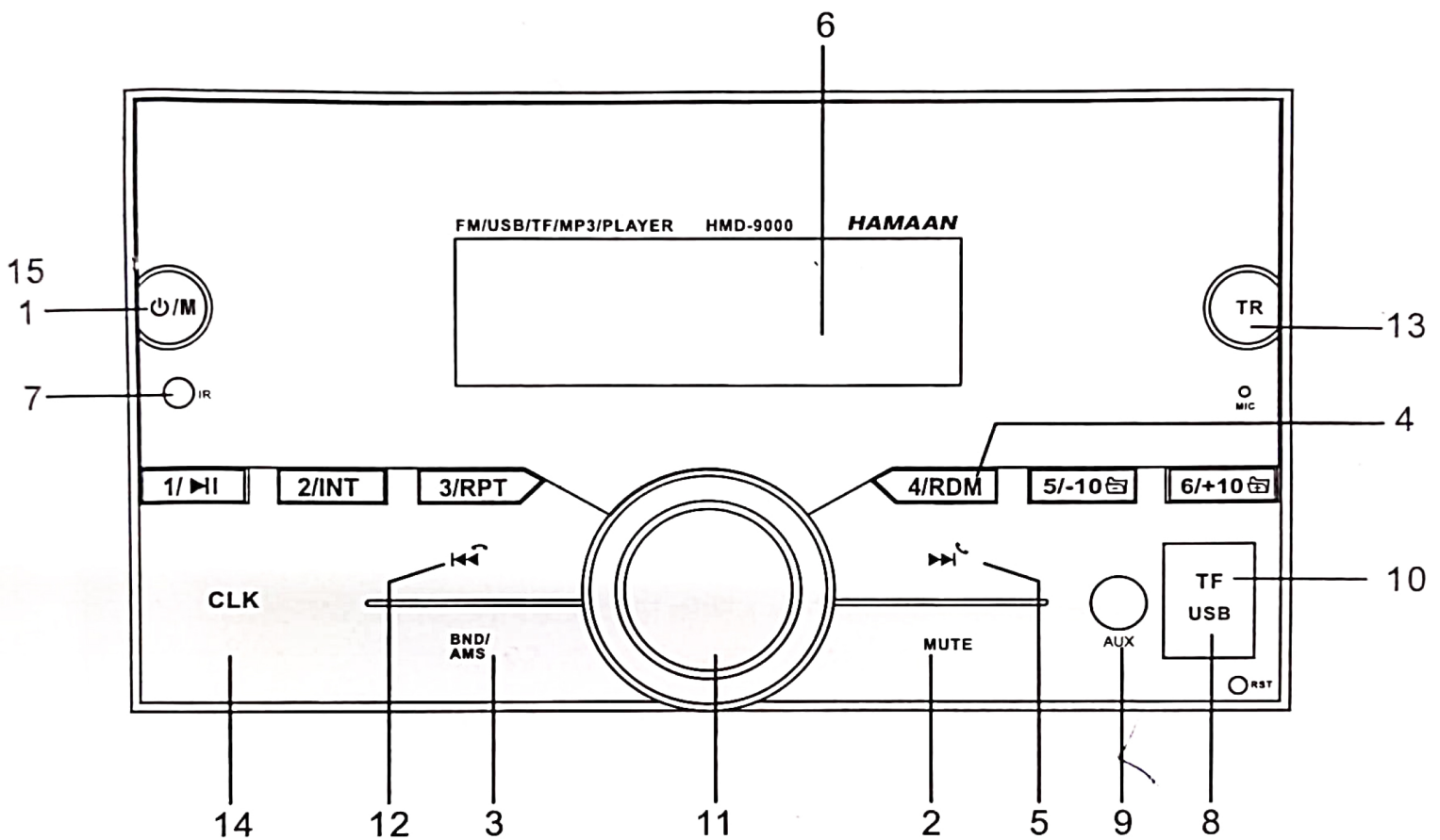
HAMAAN™

a class apart...

INSTRUCTION MANUAL

USB/TF/MP3/RADIP PLAYER

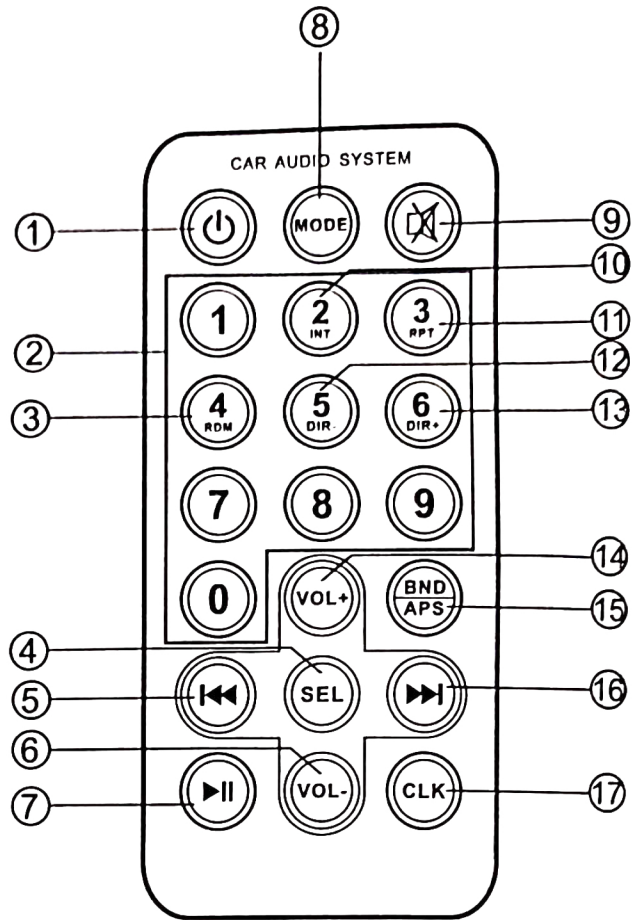
HMD-9000



- | | |
|--|---|
| 1. Power on / off | 9. Aux in |
| 2. Mute | 10. TF /MMC slot |
| 3. Change radio channel /
Search automatically/Storage button | 11. Sound effect change |
| 4. Radio memory number | 12. Radio search backward/previous song |
| 5. Radio search forward/Next song | 13. TR |
| 6. LCD | 14. Clock |
| 7. Remote control receive window | 15. Mode |
| 8. USB slot | |

1. Remote control Operations

1. Power/off
2. Radio memory number/
MP3 songs select number
3. Long press is random play
function.
4. EQ
5. Previous song
6. Volume increase
7. Pause/Play
8. Mode
9. Mute
10. Scan
11. Repeat
12. Last folder
13. Next folder
14. Volume increase
15. Band switching/Auto-search
16. Next song
17. Clock



2. Basic Operation

1. Power on / off (1)

Short press this button to power on , long press to power off.

2. Volume button/ Sound effect change(11)

Turn this button to control the volume. Press SEL to choose the sound effect as follows:
Volume—BASS—TREBLE—FAD—BAL—EQ—LOUD—Volume)

When you choose the mode you need , you can turn left or right VOL button to select.
When you choose EQ function , you can turn left or right VOL button to select as followed :EQ POPS—ROCK—CLASS—FLAT

3. LCD(6)

It shows radio frequency/and content of SD/USB.

4. FM button / Search and store automatically(3)

In radio mode, short press this button repeatedly to change the band:
FM1-FM2-FM3(—AM1—AM2.If have AM) Long press this button to search and save the radio station into the memory number automatically.

5. Change mode button (15)

Short press this button, you can change the mode: Radio— TF/MMC—USB—AUX IN.

6. Radio memory number(4)

In the radio mode, when you get the radio you like, You can long press any number button (1—6) to save this radio station into this number. Such you press the number 2, next time you press number 2, it will show the station directly.

7. Radio search backward button(12)

In the radio mode, short press this button to search the radio backward automatically. and it will stop and play when it get the radio station.

Long press this button (about three second) to search the radio by manual, then you can short press this button to search the station, and if you don't press any button for 5 seconds, it will quit this function.

8. Radio search forward (5)

In the radio mode, short press this button to search the radio forward. and it will stop and play when it get the radio station.

Long press this button (about three second) to search the radio by manual, then you can short press this button to search the station, and if you don't press any button for 5 seconds, it will quit this function.

9. Clock (14)

Short press this button to display the current time. Long press this button until the clock time flash ,then you can turn left or right VOL button(11) to adjust time (hour/minute) respectively.

10. Aux in(9)

Short press (15) button to go to AUX in, you can play external music by inserting in this Aux in hole.

11.EQ(13)

Short press this button to choose EQ function , as followed :

EQ POPS—ROCK—CLASS---FLAT

12.TF/MMC slot (10)

Insert TF/MMC card into slot, Then it will read the music of the TF/MMC card.

13.USB slot (8)

Insert U disk into (8)USB Slot. it will read the music in U disk..

14.

1). Insert TF/MMC/USB into slot, short press number "1" button (4) is pause function.

short press again can go on playing.

2).Insert TF/MMC/USB into slot, short press button (5), it will read the next song .

3).Insert TF/MMC/USB into slot, short press button (12), it will read the previous song .

4).Insert TF/MMC/USB into slot, short press number "2" button (4) is scan function.

5).Insert TF/MMC/USB into slot, short press number "3" button (4) is repeat function.

6).Insert TF/MMC/USB into slot, short press number "4" button (4) is random function. function.

7).Insert TF/MMC/USB into slot, short press number "5" button (4) is last 10 songs function .Long press is last file function .

8).Insert TF/MMC/USB into slot, short press number "6" button (4) is next 10 songs function. Long press is next file function

16. TR (Change 7 color button)

After power on . It will change one color automatically for every 3 seconds. Short press this button to choose only one color. And press again to choose another color. After you choose 7 colors. It will go back to change seven color automatically again. Long press this button to power off the color light.

3. Bluetooth operation

1. Bluetooth is turned on by default when you power on the player , short press MODE to select BT MODE. And you will see the Bluetooth symbol flashing all the time.The Bluetooth symbol would not flashing. Then the mobile phone succeed in connecting with Bluetooth

2. In the Bluetooth mode. You can play the music of the mobile phone through the Bluetooth.

3. In the Bluetooth mode. Short press MODE to answer and ring off the call.

4. Technical Parameters

Tuner Part:

FM Frequency Range-----87.5MHz-108MHz

FM noise-limited sensitivity-----FM \leq 26dB

FM signal to noise ratio (S/N)----- \geq 45dB

USB/MMC/SD Part:

Frequency Response-----100Hz-10kHz(+10dB)

MP3 bit rates-----8-320kbps

Channel balance----- \leq 3 dB

Channel Separation ----- \leq 22 dB

MP3 Signal to noise ratio (S/N)----- \geq 55dB

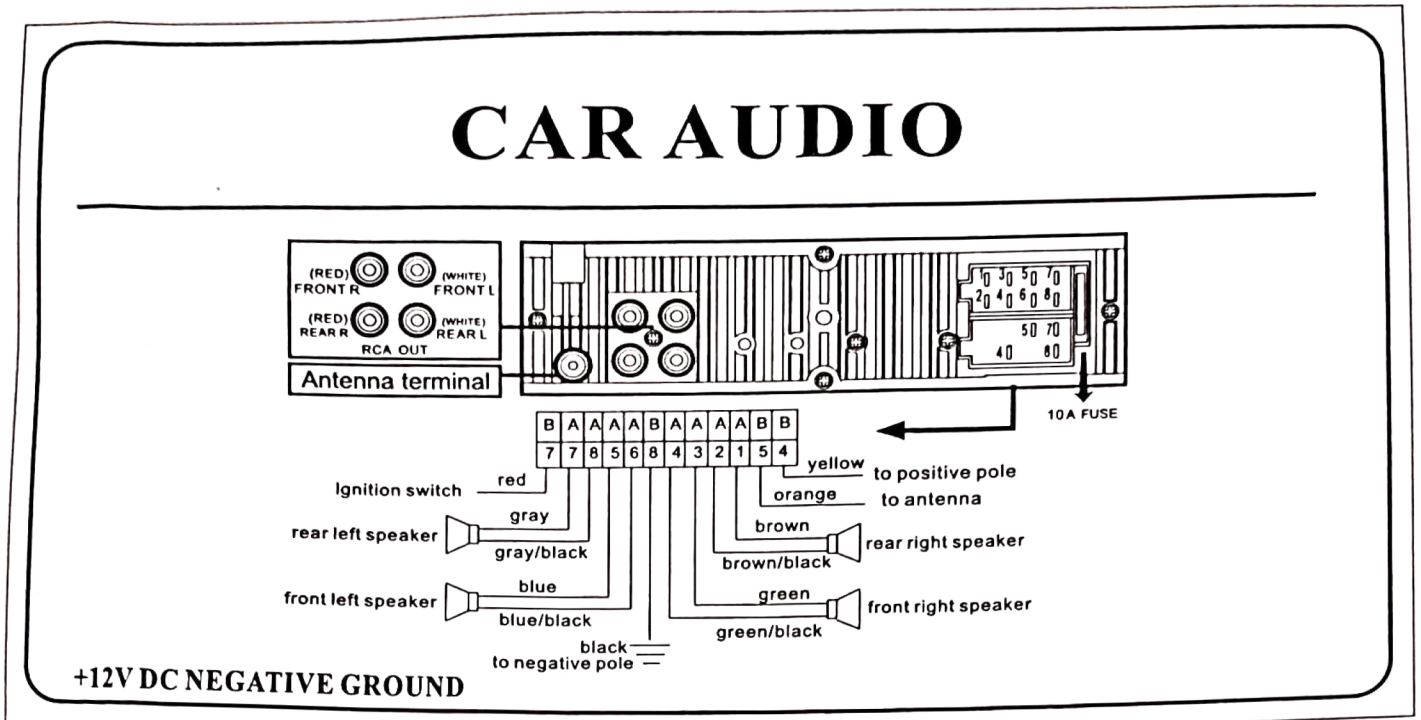
Working voltage -----12V DC

Real power output-----4*45W/14.4V

Speaker impedance -----4 Ω -8 Ω

Size dimension-----180mm(W)x105mm(H) vx155mm(L)

5. Wiring Diagram



6. Trouble shooting

Fault	Reasons	Solutions
LCD doesn't display	<ol style="list-style-type: none"> 1. Yellow wire is not connected with battery + 2. Fuse of red wire is open 	<p>Assure yellow wire is connected with battery +</p> <p>Replace fuse</p>
No sound	<ol style="list-style-type: none"> 1. No power supply 2. Speaker wire is open circuit 3. TF/MMC card, U disk don't have song with corresponding format. 4. TF/MMC card, U disk golden finger is dirt which causes bad contact. 	<p>Connect the power wire.</p> <p>Connect speaker wire.</p> <p>Check the contents of TF/MMC card, U disk.</p> <p>Clean with absolute alcohol.</p>
Low sound (not clear)	<ol style="list-style-type: none"> 1. Power internal resistance is high. 2. Antenna is bad contact. 	<p>Replace the power supply</p> <p>Tighten the antenna plug.</p>
Mono track	<ol style="list-style-type: none"> 1. One channel of speaker wire is open circuit 2. Amplifier integrated circuit is damaged. 	<p>Connect speaker wire</p> <p>Replace the IC of amplifier</p>

Note: Technical data is subject to change without prior notify