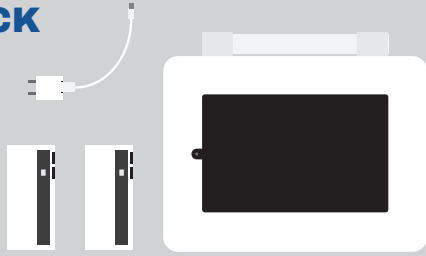




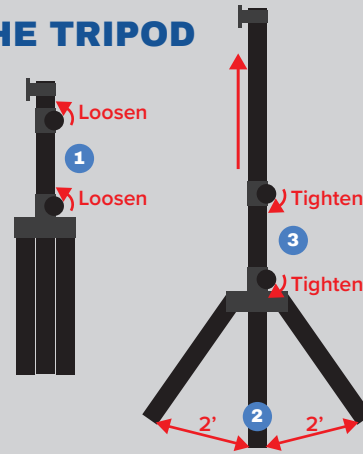
## 1. UNPACK

Remove all of the items from the box.



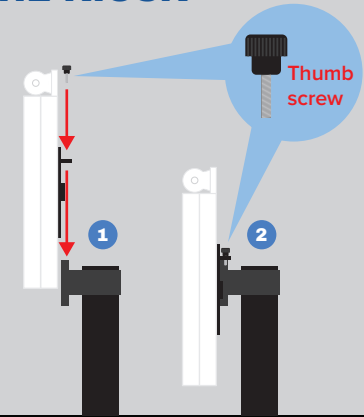
## 2. SET UP THE TRIPOD

Set up the tripod with the legs 2' apart and raise the neck to your desired height. Then tighten both knobs.



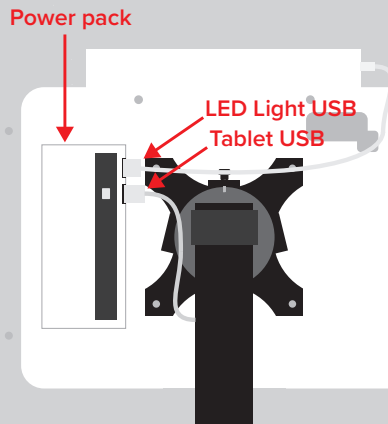
## 3. MOUNT THE KIOSK

Slide the kiosk onto the bracket attached to the top of the tripod. Insert the thumb screw and fully tighten it.



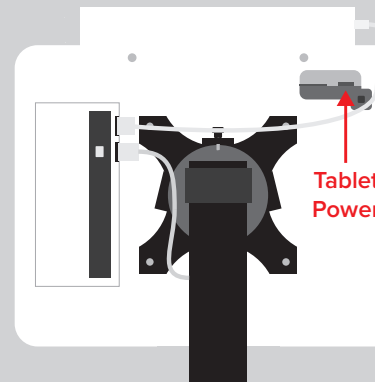
## 4. PLUG IN

Attach the power pack with the velcro strips. Plug the LED Light USB into the top port & the Tablet USB into the bottom port.



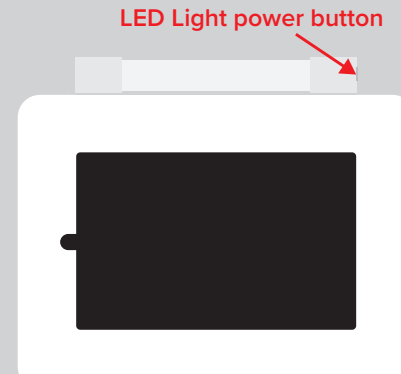
## 5. POWER UP

Press & hold the power button on the tablet until you see the loading screen turn on. Allow tablet to fully power on.



## 6. TURN ON THE LIGHT

Press the button on the side of the LED light to turn it on. Press again to cycle through brightness settings.



## 7. CONNECT TABLET TO WIFI

Unlock tablet with 4-digit pin.

PIN: #-#-#-#

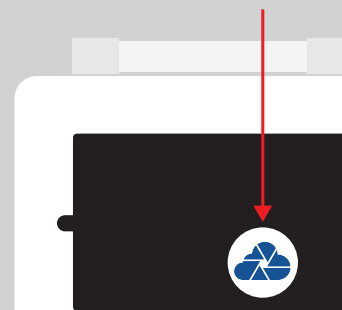
Swipe down from top of screen, tap & hold wifi icon. Choose wifi network and connect.



## 8. OPEN PIXI APP & TEST!

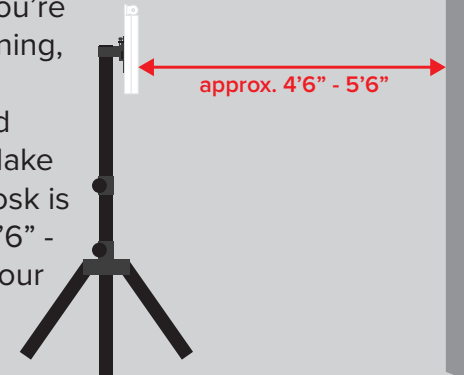
Once connected to wifi, tap on the PixiCloud icon to start the photo booth app. Once it loads, tap the screen to take a test photo!

Tap to start photo booth app



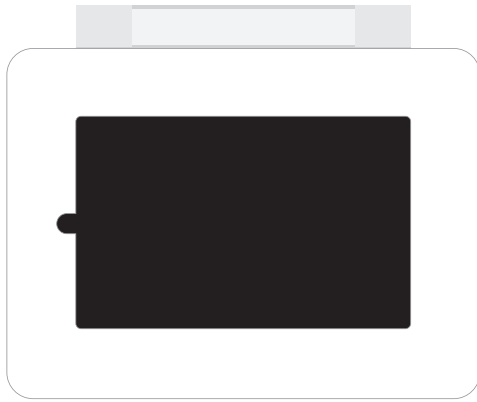
## 9. POSITIONING

Now that you're up and running, check your framing and distance. Make sure the kiosk is level and 4'6" - 5'6" from your backdrop.

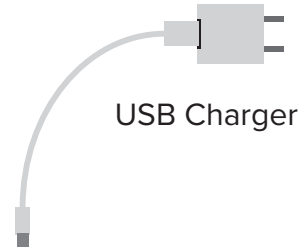


# Quick Reference

## Included in the kit

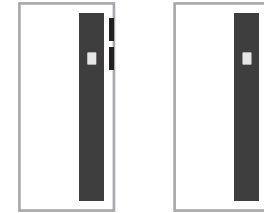


Kiosk



USB Charger

Power Packs



Tripod

## PIN to unlock tablet

#-#-#-#

## Text (SMS) Support

Need help?  
Text us for the quickest  
response!

(###) ### - ####

## IMPORTANT NOTES

1. [SUPER IMPORTANT] After taking a photo, if you click on the “X” the photo will not be saved!  
The photos are only saved to the gallery when the user approves and sends to email or text message.

2. Your (2) power packs come fully charged. Each will give you 3-4 hours of run time. When you see the indicator lights running low, change over to your backup power pack and plug the original into a power outlet to recharge it. Charging the pack that is not in use will give you unlimited run time.

3. Take test photos! Make sure everything looks good and functions properly *before* the start of your event.

4. If you do not have wifi, the photos will be stored in an offline queue. The moment the device connects to wifi, the queue of photos will be sent.