

# HLL linear LED lighting-hazardous area

## Product introduction

HLL series is an extremely robust linear LED luminaire in an aluminum housing with a high impact polycarbonate diffuser for use in Zone 1, 2, 21 and 22 hazardous environments.

The use of high quality LED chips, along with Crouse-Hinds' industry knowhow in extracting heat from electrical products in hazardous, gaseous environment, ensures benchmark longevity for HLL in operation. With the added benefits of energy savings, lower maintenance, overall lower cost of ownership and importantly, contributes to a greener environment.



B

## Product features

Model	Length	Color temp.	Nominal lumens	Wattage	Equivalent fluorescent luminaire
HLL-2-3L series	735mm	5700K	Approx.2800	<30W	2x18W
HLL-4-5L series	1335mm	5700K	Approx.5700	<60W	2x36W

\* Lumen values apply to 5700K light color, 70 CRI fixtures. Lumen output may vary slightly for different models.

\* Tolerance+/-10%

- Reliability
  - Polycarbonate, 4J impact resistant
  - Cooper free aluminum for excellent corrosion and heat transfer properties
  - IP66 protection
  - Suitable for zone 1, 2, 21 and 22 gas and dust atmospheres
  - Highest temperature class T6

- Permissible ambient temperature:
  - Standard luminaire: -40°C~+55°C
  - Emergency luminaire: -25°C~+55°C
  - Standard 5700K, also available for 3000K, 4000K, 5000K, 6500K.
- Anti shock and vibration proof
- Mercury-free
- Instant ON without time delay
- Rated life of 50,000 hours at 55 °C provides long term, low-maintenance operation

## Technical data

<b>IECEx-certification of conformity</b>	IECEx NEP 19.0003X
<b>Ex marking</b>	Ex d e ib mb IIC T6 Gb or Ex e ib mb IIC T6 Gb* Ex op is tb IIIC T80°C Db
<b>Ambient temp</b>	-40°C to 55°C (Normal) -25°C to 55°C (Emergency)
<b>Rated input volt</b>	100~240 VAC; 108~250 VDC
<b>Power factor</b>	>0.9
<b>CRI</b>	Cool white>70, warm white>80
<b>LED module</b>	HLL 2 series: 2x14W HLL 4 series: 2x28W
<b>Lumen output</b>	HLL 2 series: 2800Lm, 5700K HLL 4 series: 5700Lm, 5700K HLL 2 series: 2700Lm, 3000K HLL 4 series: 5600Lm, 3000K
<b>Material</b>	Aluminum
<b>Weight</b>	HLL 2 series Normal: 5kg HLL 2 series Em: 6kg HLL 4 series Normal: 10kg HLL 4 series Em: 12kg
<b>Terminals</b>	6mm <sup>2</sup>
<b>Out line dimension</b>	HLL 2 series: 735x180x130(mm) HLL 4 series: 1335x180x130(mm)
<b>Backup duration &amp; lumen percentage</b>	EM1=1.5h, 25% output, EM2=3h, 25% output
<b>IP (IEC60529)</b>	IP66

# HLL linear LED lighting-hazardous area

## Ordering information

Product Type	Color Temp <sup>1)</sup>	Terminals	Through wiring		Cable gland/ Threaded	Threaded Plug <sup>2)</sup>	Blanking Plug	Part No. <sup>3)</sup>
			Single-ended	Twin-ended				
<b>HLL-3L</b>								
HLL-2-3L-D-1/6-220	5700K	1x6	●	-	2xM20	1	1	CCL1622395U
HLL-2-3L-D-2/6-220		-	●	4xM20	2	2	CCL1622411U	
<b>HLL-3L Emergency</b>								
HLL-2-3L-D-EM1-1/6-220	5700K	1x6	●	-	2xM20	1	1	CCL1622427U
HLL-2-3L-D-EM1-2/6-220		-	●	4xM20	2	2	CCL1622443U	
<b>HLL- 5L</b>								
HLL-4-5L-D-1/6-220	5700K	1x6	●	-	2xM20	1	1	CCL1622779U
HLL-4-5L-D-2/6-220		-	●	4xM20	2	2	CCL1622795U	
<b>HLL- 5L Emergency</b>								
HLL-4-5L-D-EM1-1/6-220	5700K	1x6	●	-	2xM20	1	1	CCL1622811U
HLL-4-5L-D-EM1-2/6-220		-	●	4xM20	2	2	CCL1622827U	

<sup>1)</sup> Tolerance +/- 10%

<sup>2)</sup> Standard version without cable gland, if need, please order separately

<sup>3)</sup> Default=IECEx certified; Suffix A=ATEX certified; Suffix B=GB certified

Any other types, like M25, Coating, Replacement version, please contact Crouse-Hinds sales.

B

## Metallic Cable Glands (Order Separately)

### ADE-1F2

Catalog #	Metric Thread Size	Cable Types	Cable sealing range - Min	Cable sealing range - Max
<a href="#">ADE1M200NPN</a>	M20		2.8	5.5
<a href="#">ADE1M201NPN</a>	M20	Non-armoured, Marine shipboard, Type P; Tray cable (armoured)	4.5	8.5
<a href="#">ADE1M202NPN</a>	M20		7.0	12.0
<a href="#">ADE1M203NPN</a>	M20		10.0	16.0



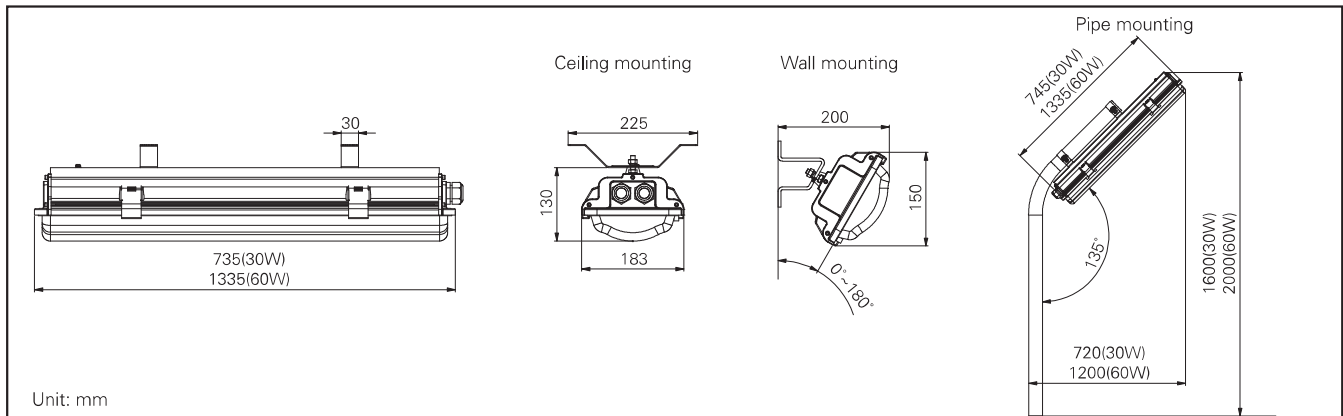
### ADE-4F

Catalog #	Metric Thread Size	Cable Types	Cable sealing range inner sheath		Cable sealing range outer sheath		Armor	
			Min.	Max.	Min.	Max.	Min.	Max.
<a href="#">ADE4M200NPN</a>	M20	SWA, SWB, STA, Braided marine shipboard, Type P; Lead sheathed cable (with addition of earthing washer)	2.8	5.5	4.5	8.5	0.2	0.9
<a href="#">ADE4M201NPN</a>	M20		4.5	8.0	7.0	12.0	0.2	0.9
<a href="#">ADE4M202NPN</a>	M20		7.0	12.0	10.0	16.0	0.2	1.3
<a href="#">ADE4M203NPN</a>	M20		10.0	15.5	13.5	21.0	0.2	1.3



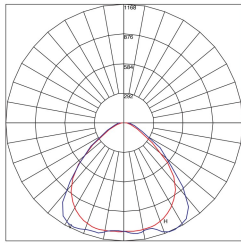
ADE-1F2 and ADE-4F catalog numbers are for nickel-plated brass; For other material options, please contact our sales representative.

## Dimension

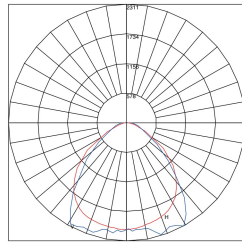


# HLL linear LED lighting-hazardous area

## Polar curve



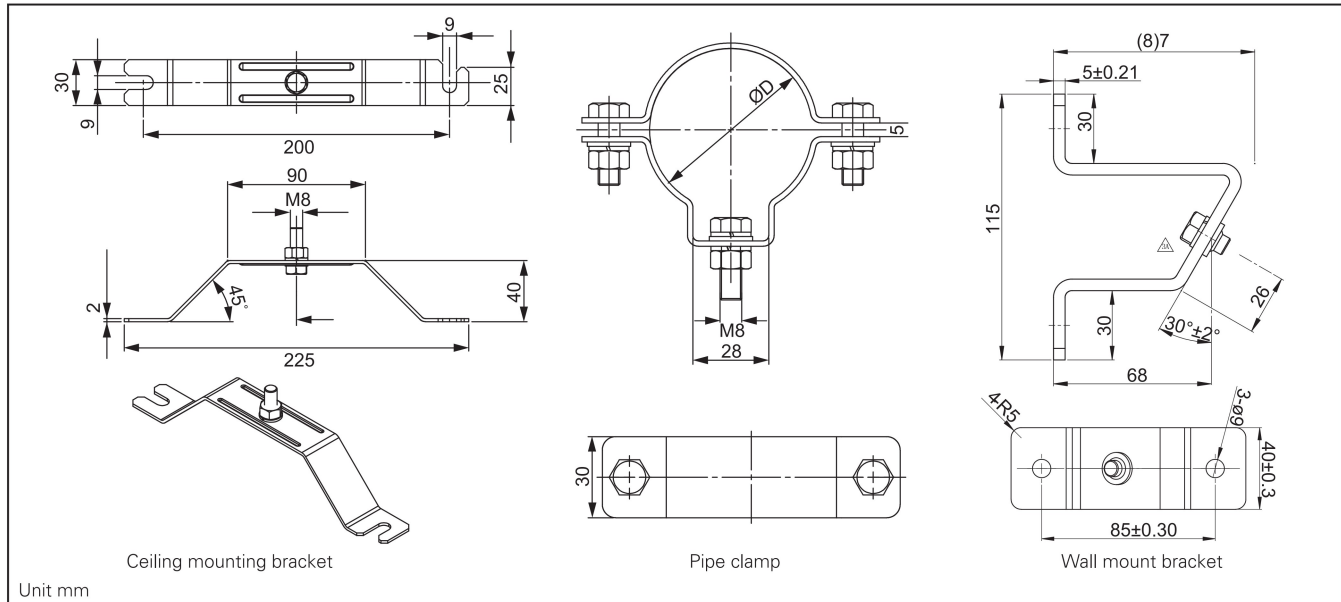
HLL-2 series



HLL-4 series

B

## Mounting accessories (To be ordered separately)



## Pipe mounting

Part No	Description	Qty
CHR11076	Pipe clamp assy D42 316S/S	2
CHR11078	Pipe clamp assy D42 plating	2
CHR11079	Pipe clamp assy D51 316S/S	2
CHR11081	Pipe clamp assy D51 plating	2

## Wall mounting

Part No	Description	Qty
CHR11073	Wall suspension 316S/S	2
CHR11075	Wall suspension plating	2

## Ceiling mounting

Part No	Description	Qty
CHR11099	Ceiling mounting BKT 316S/S	2
CHR11101	Ceiling mounting BKT plating	2