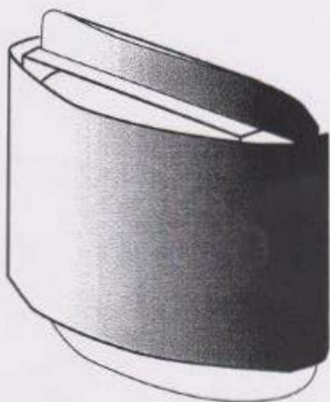


GALAXIE FLY CONTROL

MODELS
FC-4400
FC-4410
FC-4800
FC-4810

OWNER'S MANUAL



OPERATION • INSTALLATION • MAINTENANCE

INTRODUCTION

Galaxie Wall Sconces combine black light energy with an exclusive fly attracting pheromone (Fly Sex Lure) to make your Wall Sconce a powerful fly control unit that is ecologically safe, effective and economical to operate. Additionally, its contemporary design is ideally suited to complement any décor especially in front-of-store applications.

Galaxie Wall Sconces are equipped with ultraviolet light deflector panels, above and below, to concentrate the ultraviolet radiation and more importantly to prevent the ultraviolet light from radiating or reflecting onto the mounting surface. Ultraviolet light from fly traps if allowed to radiate or reflect onto mounting or adjacent surfaces, as is the case with many other brands, can cause the paint, wall paper, fabrics, etc. on these surfaces to fade.

Flies and other light sensitive flying insect pests are attracted to the unit's ultraviolet light and special fly lure, and are eliminated as they come in contact with the strategically placed "no-escape" adhesive board.

For best results, operate your Fly Control unit 24/7 year round.

SAFETY INSTRUCTIONS

CAUTION

1. For indoor use only. To avoid risk of fire or electrical shock, do not use where the unit may be exposed to water or direct sunlight, including roofed but open porches.
2. Only use grounded 110/120 volt A.C. outlets and three-wire grounded extension cords.
3. For permanent installation, check local codes and consult a licensed electrician or authoritative instruction book before installing.
4. Do not abuse power cord. Never carry unit by its cord or yank cord to disconnect unit from receptacle.
5. Keep power cord protected from heat, oil and sharp edges. Repair damaged power cords promptly.

PLACEMENT:

Proper placement of your fly control unit will enhance its effectiveness, range and safety.

Location:

For best results, place unit adjacent to entrances, exits, or in heavily infested areas away from direct or reflected sunlight.

Galaxie wall sconce fly control units are designed for front-of-store application and are useful in restaurant dining areas, food take-out locations, bars, lounges, supermarket meat and deli areas, hospitals or other sensitive public areas where it may be desirable for trap design to complement surrounding décor.

When installing units in halls, passageways or aisles, maintain a minimum clear width for continuous passage of 36 inches. (Reference: American Disabilities Act).

Height:

Flies generally operate at heights up to six feet. For best results, fly control units should be placed five to six feet above the floor or higher in locations where temperatures are significantly cooler at the lower heights.

Spacing:

Fly control units should be spaced evenly throughout a facility. As a general rule distances between traps should be as follows:

Model FC-4400 and FC-4410 25 feet apart
(600 sq. ft. coverage)

Model FC-4800 and FC-4810 35 feet apart
(1200 sq. ft. coverage)

INSTALLATION:

Remove unit from its carton and insure that the unit is free from transportation damage.

1. Hinge the front panel of the wall sconce down by raising approximately 1/2 inch and rotating downward. Remove packing tape securing bulb(s) in place and discard. Remove bulb(s) to allow access for mounting unit.
2. Assemble the lower light deflector panel (lower panel has a slot for the power cord to pass through) to the lower edge of the rear panel using two #10-32 x 3/8" screws and two #10-32 nuts. See exploded view on page 4.

Assemble the upper light deflector panel to the top edge of the rear panel using two #10-32 x 3/8" screws and two #10-32 nuts.
3. Mount the unit to a suitable mounting surface such as a wall by installing two screws through the holes located at the top of the rear panel (screws not provided). Note: use wall anchors at screw locations.
4. Locate a nearby 110/120 volt grounded electrical receptacle and run the power cord to the receptacle. Fasten appropriately to the wall to secure the power cord in place. Use a three-conductor extension cord with a three-prong grounding type plug if required. (See section on **Grounding Instructions.**)

- For permanent installation check local codes and consult a licensed electrician or authoritative instruction book before installing. To permanently wire, remove the electrical box located inside the wall sconce. Remove the installed power cord and install house wiring per code.
- Re-install bulb(s) by inserting the bulb into its socket and ensuring that the bulb is seated in the bulb support bracket.
- Install adhesive board and Fly Sex lure. See **Maintenance** section of the Owner's Manual for directions.
- Plug the Galaxie Wall Sconce into the grounded 110/120 wall receptacle. If permanently wired, place the circuit breaker to the on position.

GROUNDING INSTRUCTIONS:

Your Fly Control unit is equipped with a three-conductor power cord and a three-prong grounding type plug to fit the proper grounding type receptacle. To reduce the risk of electrical shock, the plug must be plugged into an appropriate outlet that is properly installed and grounded. The Fly Control unit has a grounding plug that looks like the plug shown, and is intended for use on a circuit that has an outlet as shown. Consult a qualified electrician or serviceman if the grounding instructions are not completely understood, or if in doubt as to whether proper grounding exists.



FLY SEX LURE:

Galaxie Fly Control units use a specially designed slow-release strip containing (Z)-9-tricosene, a non-toxic and odorless fly lure, to substantially increase the effectiveness of the Fly Control unit.

U.S. Government researches have demonstrated that (Z)-9-tricosene, a synthetic compound identical to the sex pheromone of house and garbage flies, (*Musca domestica* L.) enhances the effectiveness of glue board traps by a factor of three to six times that of non-baited glue traps.

To install the Fly Sex lure, see instructions for replacing the lure in the **Maintenance** section of the owners manual.

MAINTENANCE:

Adhesive Boards:

As a general rule, adhesive boards should be replaced when 65%-75% of the surface is covered with debris and less than half of the available glue surface remains exposed.

To replace the adhesive board, lower the front panel of the wall sconce. Remove the used adhesive board by gripping its non-sticky edge and pulling it out along the tracks located on the inside of the front panel. Peel the covering from the replacement adhesive board and slide the board along the tracks until it is fully seated.

Replacement Adhesive Boards:

Flowtron adhesive boards # GB-440 are available from your dealer or on-line at www.flowtron.com.

Fly Sex Lure:

For best results the fly lure slow-release strip should be replaced every 30 days.

To replace the fly lure, lower the front panel of the wall sconce and remove the used lure strip. Install the replacement strip on the post provided and labeled "Fly Lure" and return the front panel to its upright position. Always wash hands thoroughly after contact with the lure strip.

Replacement lures:

Flowtron Fly Sex Lure # FA-5000, is available from your dealer or on-line at www.flowtron.com.

Bulb(s):

Ultraviolet light is invisible to the eye and it's effectiveness to lure flies decreases with time. Although the bulb appears to be functioning and is continuing to produce blue light, the invisible ultraviolet or "black light" component may no longer be effective. For best results replace bulbs every six months.

To replace the bulb(s), lower the front panel of the wall sconce and remove the defective bulb(s). Insert the replacement bulb(s) into the bulb socket and return the front panel to its upright position. Insure that the replacement bulb is seated in the bulb support bracket.

Replacement Bulb(s):

Flowtron bulb(s) # BF-150, are available from your dealer or on-line at www.flowtron.com.

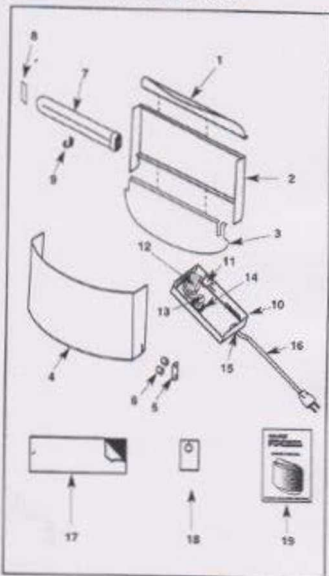
Starter(s)

To replace the starter(s), lower the front panel of the wall sconce and remove the bulb(s). Remove the electrical box from the back panel by removing the two screws which fasten the box to the panel. Remove the starter located inside the electrical box by twisting the starter counter-clockwise. Install replacement starter, type FS-25, by inserting it into the starter socket and twisting clockwise. Replace the electrical box and secure to the back panel with the two screws. Replace the bulb(s) and return the front panel to its upright position.

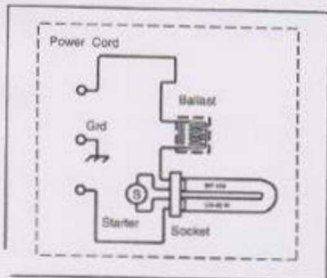
**FC-4400, FC-4410, FC-4800, FC-4810
PARTS LIST**

REF.	P/N	DESCRIPTION				
			FC-4400	FC-4410	FC-4800	FC-4810
1	552 9847	Light Deflector, Upper	1		1	
	5529857	Light Deflector, Upper		1		1
2	552 9797	Rear Panel	1	1	1	1
3	552 9848	Light Deflector, Lower	1		1	
	552 9860	Light Deflector, Lower		1		1
4	505 9804	Front Panel, Beige	1		1	
	505 9813	Front Panel, SS		1		1
5	552 9795	Hinge Plate	2	2	2	2
6	596 6042	Stand-Off	4	4	4	4
7	BF-205	Bulb	1	1	2	2
8	567 9583	Pad, Bulb	1	1	2	2
9	555 7286	Bulb Clip	1	1	2	2
10	592 9801	Electrical Box	1			
	592 9794	Electrical Box		1		1
11	571 6357	Socket, Bulb	1	1	2	2
12	532 2790	Ballast	1	1	2	2
13	531 6750	Starter	1	1	2	2
14	571417	Socket, Starter	1	1	2	2
15	596 3900	Bushing	1	1	1	1
16	512 2727	Power Cord	1			
	512 408	Power Cord		1		1
17	GB-440	Adhesive Board	1	1	1	1
18	FA 5000	Fly Lure	1	1	1	1
19	557 9689	Owner's Manual	1	1	1	1

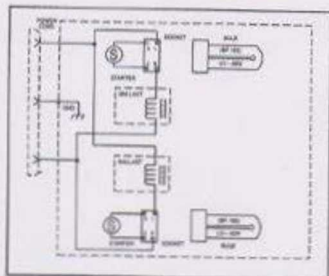
**FC-4400, FC-4410, FC-4800, FC-4810
EXPLODED VIEW**



**FC-4400, FC-4410
WIRING DIAGRAM**



**FC-4800, FC-4810
WIRING DIAGRAM**



One Year Limited Warranty

Flowtron, division of Armatron, warrants your Fly Control unit to be free from defects in materials or workmanship under normal use and service for one year from date of the original purchase. All parts, except for burned out bulbs, which are defective, will be repaired free of charge. Any implied warranties, including the implied warranty of merchantability are also limited in duration to the one year period from the original purchase date.

The provisions of this warranty shall not apply to any Fly Control unit which has been subject to misuse, neglect or accident, nor which is used for a purpose for which it is not designed, or which shall have been repaired or altered in any way as to adversely affect its performance and reliability. Service by unauthorized parties voids your warranty.

Flowtron neither assumes nor authorizes any person to assume for it any other liability in connection with its products. No responsibility is assumed for any consequential damages that may result from the use of a Flowtron product, nor for damages due to accident, abuse, lack of responsible care, the affixing of any unauthorized attachment, loss of parts or subjecting this unit to any but the specified voltage. Some states do not allow the exclusion or limitation of incidental or consequential damages, so the above limitation or exclusion may not apply to you.

If the unit fails to operate during the warranty period, send the product along with purchase receipt showing purchase date and description to: Flowtron Service Center, 15 Highland Ave., Malden, MA 02148. Transportation costs for returning any defective product are the responsibility of the user.

This warranty gives you specific legal rights and may also have other rights which vary from state to state.

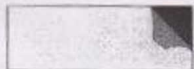
Troubleshooting and Repair Analysis

Caution: unplug unit before servicing

Problem	Possible Cause	Correction
A. Bulb(s) do not light.	1. No electrical power. 2. Lamp(s) not seated properly. 3. Starter defective. 4. Burned out bulb(s)	1. Check fuse or circuit breaker. Check extension cord. 2. Check socket(s) for proper seating and alignment. 3. Replace starter. 4. Replace bulb(s).
B. Bulb lights, but no longer attracts flies.	1. Inadequate blacklight output reduced due to bulb age. 2. Fly lure no longer effective.	1. Replace bulb. See bulb replacement section of owner's manual. 2. Replace Fly Sex Lure strip.

Any problems you encounter that are not corrected by the action recommended in this chart should be referred to the Flowtron Service Dept. 817-321-2300

ACCESSORIES



Adhesive Board
GB-440
Twelve-pack supply of replacement adhesive boards.



Replacement Bulbs
BF-150
Six month bulb replacement recommended to maintain maximum black light output.



Fly Sex Lure
FA-5000
Makes your Fly Control unit more effective in eliminating house and garbage flies.

ADDENDUM

Owner's Manual page 5: Replace section on Starter(s) with the following:

Starter(s)

To replace the starter(s) lower the front panel of the wall sconce. Remove the starter located on the front of the electrical box by twisting starter counter-clockwise.

Install replacement starter, 531-6750, by inserting starter into starter socket and twisting clockwise.

Return front panel to its upright position.

Page 6:

KEY	ITEM	OLD P/N	NEW P/N
#14	Starter Socket	571-417	571-1031
#12	Ballast	532-2790	532-9988
Add #20	Electrical Box Cover		505-9970

Page 7: Replace exploded view with the following illustration:

