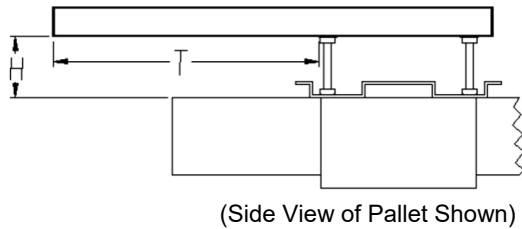
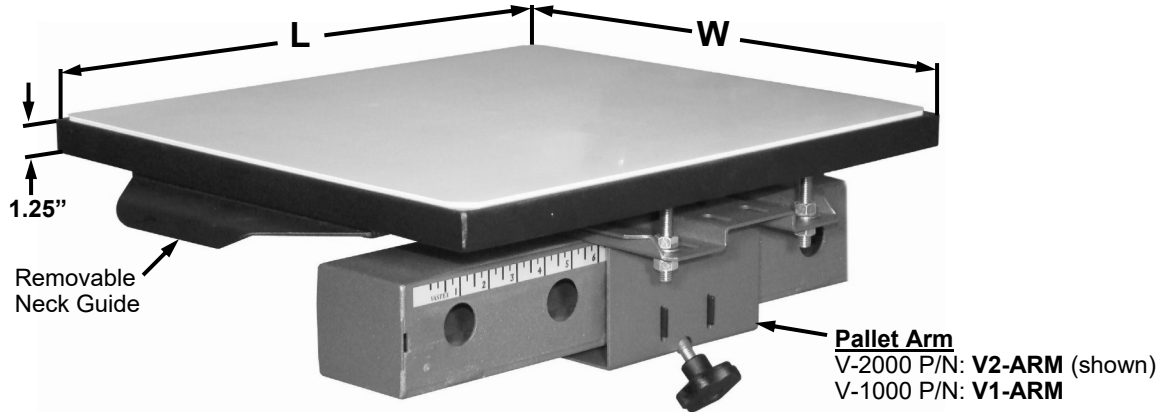




# Pallets and Accessories Specifications

## Table Of Contents

Page Description .....	Page Number
Rectangular Pallets .....	2-3
Large Pallets Using HD Arm.....	4-5
Mini Pallets .....	6
Leg Pallets.....	7
Short Sleeve/Short Leg Pallets.....	8
Single Long Sleeve Pallets.....	9
Double Long Sleeve Pallets .....	10
Umbrella Pallet/Quick Stretch.....	11
Koozie Pallet .....	12
Universal Attachments.....	13
Zipper Attachments .....	14
Bag Attachments .....	15
All Over Pallet.....	16
Wing Pallets .....	17
Vacuum Pallets .....	18-20
Quick Stretch.....	21
Cap Pallets .....	22
Tagless Pallets .....	23
Side Clamps .....	24
Squeegee Rest.....	25
The DiGiT .....	26
V100 Pallets .....	27
Pallet Arms V-2000/V-1000 .....	28
Pallet Arm Adaptor .....	29
Service Pan and Wheels V-2000.....	30
Service Pan and Wheels V-1000.....	31

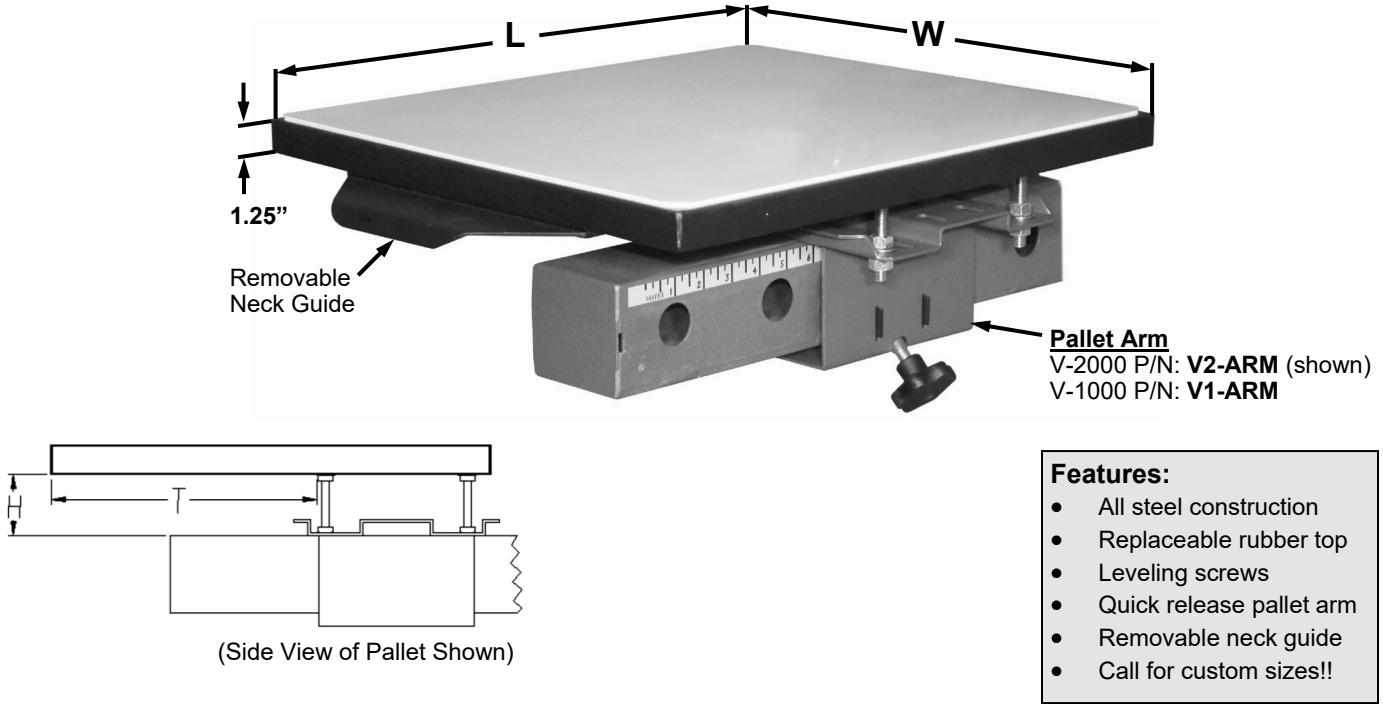


- Features:**
- All steel construction
  - Replaceable rubber top
  - Leveling screws
  - Quick release pallet arm
  - Removable neck guide
  - Call for custom sizes!!

Specifications	10.5" x 17" Junior	12" x 20"	12" x 24"	13" x 8.5"	13" x 11"	13.5 x 17"	14" x 14"
*V-2000 Part Number:	V2P-1017	V2P-1220	V2P-1224	V2P-138	V2P-1311	V2P-1317	V2P-1414
*V-1000 Part Number:	V1P-1017	V1P-1220	V1P-1224	V1P-138	V1P-1311	V1P-1317	V1P-1414
V-1000 P/N fits on V-100	YES	YES	YES	YES	YES	YES	YES
Pallet Rubber Only P/N:	VPR-1017	VPR-1220	VPR-1224	VPR-138	VPR-1311	VPR-1317	VPR-1414
W x L	10.5" x 17" (26.7 x 43.2 cm)	12" x 20" (30.5 x 50.8cm)	12" x 24" (30.5 x 61cm)	13" x 8.5" <b>(33 x 21.6 cm)</b>	13" x 11" (33 x 27.9 cm)	13.5" x 17" (34.3 x 43.2cm)	14" x 14" (35.6 x 35.6cm)
H x T (V-2000)	2" x 10.5" (5.1 x 26.7cm)	2" x 11.5" (5.1 x 29.2 cm)	2" x 15.3" (5.1 x 43.2cm)	2" x 2" (5.1 x 5.1cm)	2" x 5" (5.1 x 12.7 cm)	2" x 10.5" (5 x 26.5" cm)	2" x 7.5" (5 x 19cm)
H x T (V-1000)	1.25" x 10.5" (3.2 x 26.7cm)	1.25" x 11.5" (3.2 x 29.2cm)	1.25" x 15.3" (3.2 x 43.2cm)	1.25" x 2" (3.2 x 5.1cm)	1.25" x 5" (3.2 x 12.7cm)	1.25" x 10.5" (3.2 x 26.5cm)	1.25" x 7.5" (3.2 x 19cm)
Max Image Size:	10" x 16.5" (25 x 39cm)	11.5 x 19.5" (29.2 x 49.5cm)	11.5" x 23.5" (29.2 x 59.7cm)	12.5" x 8" (31.8 x 20.3cm)	12.5" x 10.5" (31.8 x 26.7cm)	13" x 16.5" (33 x 41.9cm)	13.5" x 13.5" (34.3 x 34.3cm)
**Suggested Screen Size:	20" x 24" (51x61cm)	20" x 24" (51x61cm)	20" x 24" (51x61cm)	20" x 24" (51x61cm)	20" x 24" (51x61cm)	20" x 24" (51x61cm)	20" x 24" (51x61cm)
Shipping Weight:	20lb (9.1kg)	21lb (9.5kg)	27lb (12.2kg)	17lb (7.7kg)	18lb (8.2kg)	21lb (9.5kg)	26lb (11.8kg)

For Quick Stretch (Jacket hold-down) specs and availability, please refer to the Quick Stretch spec sheet  
 \* To order a pallet **without** a Vastex Pallet Arm, add "-NA" after the pallet's part number. Ex: **V2P-1517-NA**  
 \*\* Based on utilizing max image area on pallet. Using smaller screens than indicated will limit max image size.  
 \*\*\* Requires HD head upgrade for use on V-1000, except when 20" x 24" screens are used and image size is reduced.





<i>Specifications</i>	15" x 17" Standard	16" x 20"	16" x 24"	17" x 21" Oversized	20" x 24" Jumbo
*V-2000 Part Number:	<b>V2P-1517</b>	<b>V2P-1620</b>	<b>V2P-1624</b>	<b>V2P-1721</b>	<b>V2P-2024</b>
*V-1000 Part Number:	<b>V1P-1517</b>	<b>V1P-1620</b>	<b>V1P-1624***</b>	<b>V1P-1721</b>	<b>V1P-2024***</b>
V-1000 P/N fits on V-100	<b>YES</b>	<b>YES</b>	<b>YES</b>	<b>YES</b>	<b>NO</b>
Pallet Rubber Only P/N:	<b>VPR-1517</b>	<b>VPR-1620</b>	<b>VPR-1624</b>	<b>VPR-1721</b>	<b>VPR-2024</b>
W x L	15" x 17" (38.1 x 43.2cm)	16" X 20" (40.6 X 50.8cm)	16" x 24" (40.6 x 61cm)	17" x 21" (43.2 x 53.3cm)	20" x 24" (50.8 x 61cm)
H x T (V-2000)	2" x 10.5" (5.1 x 26.7cm)	2" x 13.5" (5.1 x 34.3cm)	2" x 17" (5.1 x 43.2cm)	2" x 12.25" (5.1 x 31.1cm)	2" x 14" (5.1 x 35.6cm)
H x T (V-1000)	1.25" x 10.5" (3.2 x 26.7cm)	1.25" x 13.5" (3.2 x 34.3cm)	1.25" x 17" (3.2 x 43.2cm)	1.25" x 12.25" (3.2 x 31.1cm)	1.25" x 14" (3.2 x 35.6cm)
Max Image Size:	14.5" x 16.5" (36.8 x 41.9cm)	15.5" x 19.5" (39.4 x 49.5cm)	15.5" x 23.5" (39.4 x 60cm)	16.5" x 20.5" (42 x 52.1cm)	19.5" x 23.5" (49.5 x 60cm)
**Suggested Screen Size:	20" x 24" (51x61cm)	20" x 24" (50.8 x 61cm)	20" x 27.5" (50.8 x 69.9cm)	23" x 31" (58.4 x 78.7cm)	23" x 31" (58.4 x 78.7cm)
Shipping Weight:	23lb (10.4kg)	23lb (10.4kg)	24lb (10.9kg)	27lb (12.2kg)	31lb (14.1kg)

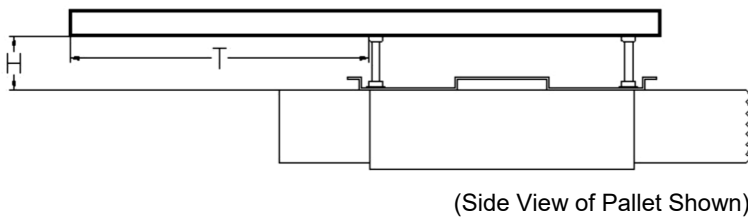
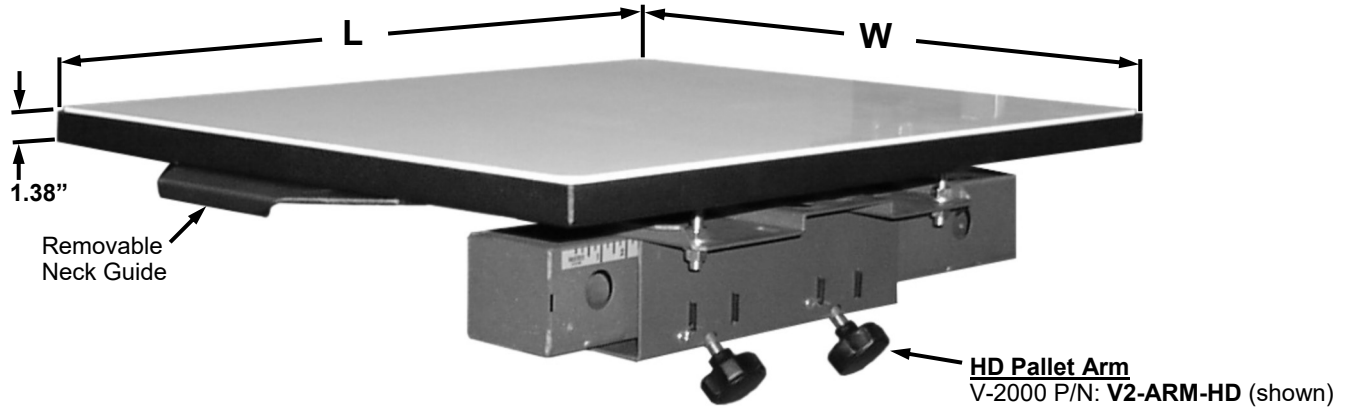
For Quick Stretch (Jacket hold-down) specs and availability, please refer to the Quick Stretch spec sheet

\* To order a pallet **without** a Vastex Pallet Arm, add "-NA" after the pallet's part number. Ex: **V2P-1517-NA**

\*\* Based on utilizing max image area on pallet. Using smaller screens than indicated will limit max image size.

\*\*\* Requires HD head upgrade for use on V-1000, except when 20" x 24" screens are used and image size is reduced.



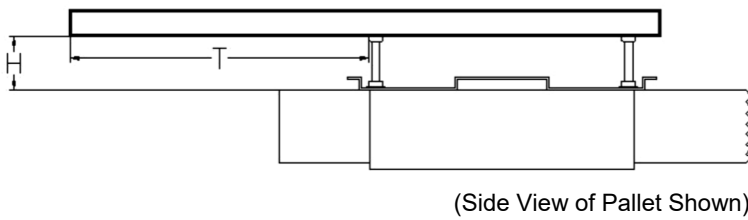
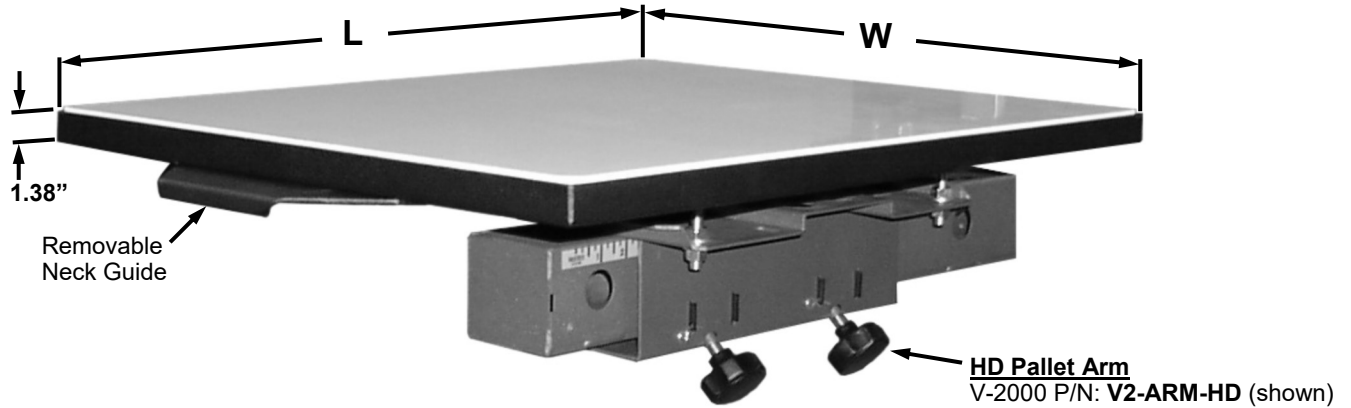


- Features:**
- All steel construction
  - Replaceable rubber top
  - Leveling screws
  - Quick release pallet arm
  - Removable neck guide
  - Call for custom sizes!!

<i>Specifications</i>	12" x 30"	18" x 30"	20" x 30"	22" x 32"	24" x 28"
*V-2000 Part Number:	<b>V2P-1230</b>	<b>V2P-1830</b>	<b>V2P-2030</b>	<b>V2P-2232</b>	<b>V2P-2428</b>
*V-1000 Part Number:	<b>N/A</b>	<b>N/A</b>	<b>N/A</b>	<b>N/A</b>	<b>N/A</b>
Pallet Rubber Only P/N:	<b>VPR-1230</b>	<b>VPR-1830</b>	<b>VPR-2030</b>	<b>VPR-2232</b>	<b>VPR-2428</b>
W x L	12" x 30" (30.5 x 76.2cm)	18" x 30" (45.7 x 76.2cm)	20" x 30" (50.8 x 76.2cm)	22" x 32" (55.9 x 81.3cm)	24" x 28" (61 x 71.1cm)
H x T (V-2000)	1.88" x 18" (4.78 x 45.7cm)	1.88" x 18" (4.78 x 45.7cm)	1.88" x 18" (4.78 x 45.7cm)	1.88" x 21.4" (4.78 x 54.4cm)	1.88" x 16.3" (4.78 x 41.4cm)
H x T (V-1000)	<b>N/A</b>	<b>N/A</b>	<b>N/A</b>	<b>N/A</b>	<b>N/A</b>
Max Image Size:	11.5" x 29.5" (29.2 x 74.9cm)	17.5" x 29.5" (44.5 x 74.9cm)	19.5" x 29.5" (49.5 x 74.9cm)	21.5" x 31.5" (54.6 x 80cm)	23.5" x 27.5" (59.7 x 69.9cm)
**Suggested Screen Size:	25" x 36" (63.5 x 91.4cm)	25" x 36" (63.5 x 91.4cm)	25" x 36" (63.5 x 91.4cm)	25" x 36" (63.5 x 91.4cm)	25" x 36" (63.5 x 91.4cm)
Shipping Weight:	21lb (9.5kg)	32lb (14.5kg)	36lb (16.3kg)	38lb (17.2kg)	34lb (15.4kg)

For Quick Stretch (Jacket hold-down) specs and availability, please refer to the Quick Stretch spec sheet  
 \* To order a pallet **without** a Vastex Pallet Arm, add "-NA" after the pallet's part number. Ex: **V2P-1517-NA**  
 \*\* Based on utilizing max image area on pallet. Using smaller screens than indicated will limit max image size.  
 \*\*\* Requires HD head upgrade for use on V-1000, except when 20" x 24" screens are used and image size is reduced.



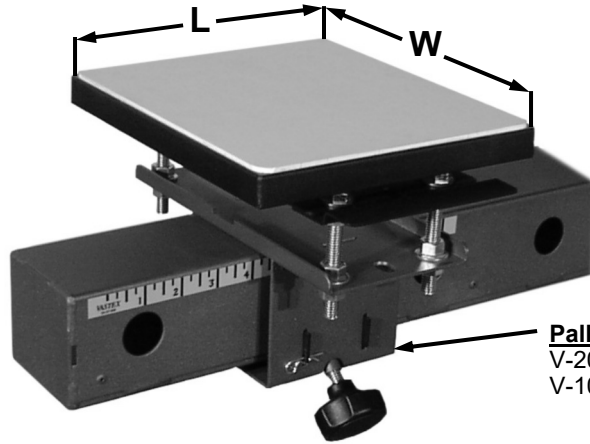


- Features:**
- All steel construction
  - Replaceable rubber top
  - Leveling screws
  - Quick release pallet arm
  - Removable neck guide
  - Call for custom sizes!!

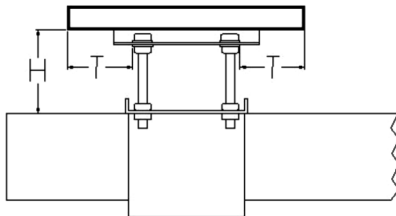
<i>Specifications</i>	26" x 20"	27" x 32"	48" x 40"
*V-2000 Part Number:	<b>V2P-2620</b>	<b>V2P-2732</b>	<b>V2P-4840</b>
*V-1000 Part Number:	<b>N/A</b>	<b>N/A</b>	<b>N/A</b>
Pallet Rubber Only P/N:	<b>VPR-2620</b>	<b>VPR-2732</b>	<b>VPR-4840</b>
W x L	26" x 20" (66 x 50.8cm)	27" x 32" (68.6 x 81.3cm)	48" x 40" (122 x 102cm)
H x T (V-2000)	1.88" x 8.3" (4.78 x 21.1cm)	1.88" x 21.4" (4.78 x 54.4cm)	1.88" x 26.8" (4.78 x 68.1cm)
H x T (V-1000)	<b>N/A</b>	<b>N/A</b>	<b>N/A</b>
Max Image Size:	25.5" x 19.5" (64.8 x 49.5cm)	26.5" x 31.5" (67.3 x 80cm)	47.5" x 39.5" (120.7 x 100.3cm)
**Suggested Screen Size:	25" x 36" (63.5 x 91.4cm)	25" x 36" (63.5 x 91.4cm)	Custom screen required
Shipping Weight:	38 lb (17.2kg)	41lb (18.6kg)	102lb (46.3kg)

For Quick Stretch (Jacket hold-down) specs and availability, please refer to the Quick Stretch spec sheet  
 \* To order a pallet **without** a Vastex Pallet Arm, add "-NA" after the pallet's part number. Ex: **V2P-1517-NA**  
 \*\* Based on utilizing max image area on pallet. Using smaller screens than indicated will limit max image size.  
 \*\*\* Requires HD head upgrade for use on V-1000, except when 20" x 24" screens are used and image size is reduced.





**Pallet Arm (Mini)**  
 V-2000 P/N: **V2-ARM-M** (shown)  
 V-1000 P/N: **V1-ARM-M**



(Side View of Pallet Shown)

**Features:**

- All steel construction
- Replaceable rubber top
- Leveling screws
- Quick release pallet arm
- Call for custom sizes!!

<i>Specifications</i>	6" x 6" Mini	9" x 8" Mini
*V-2000 Part Number:	<b>V2PM-66</b>	<b>V2PM-98</b>
*V-1000 Part Number:	<b>V1PM-66</b>	<b>V1PM-98</b>
V-1000 P/N fits on V-100	<b>YES</b>	<b>YES</b>
Replacement Rubber P/N:	<b>VPR-66</b>	<b>VPR-98</b>
W x L	6" X 6" (15.25 x 15.25 cm)	9" X 8" (22.9 x 20.3 cm)
H x T (V-2000)	2.9" x 1.2" (7.4 x 3 cm)	2.9" x 2.2" (7.4 x 5.6 cm)
H x T (V-1000)	2.2" x 1.2" (5.6 x 3 cm)	2.2" x 2.2" (3 x 3 cm)
Max Image Size:	5.5" x 5.5" (14 x 14 cm)	8.5" x 7.5" (21.6 x 19.1 cm)
**Suggested Screen Size:	20" x 24" (51x61cm)	20" x 24" (51x61cm)
Shipping Weight:	12lb (5.4kg)	14lb (6.4kg)
Notes:	-Quick Stretch Available and recommended for several applications -Print on Jacket hoods, aprons, bandanas, golf towels, mesh shorts, and many other small materials	-Larger print area than the 6" x 6" -Quick Stretch Available and recommended for several applications -Print on Jacket hoods, aprons, bandanas, golf towels, mesh shorts, and many other small materials

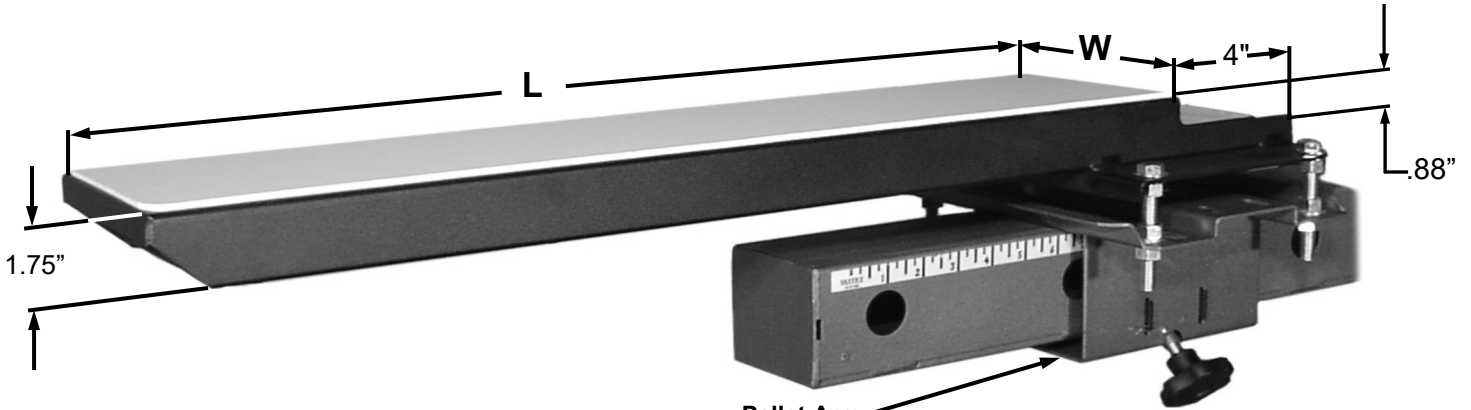
For Quick Stretch (Jacket hold-down) specs and availability, please refer to the Quick Stretch spec sheet

\* To order a pallet **without** a Vastex Pallet Arm, add "-NA" after the pallet's part number. Ex: **V2P-1517-NA**

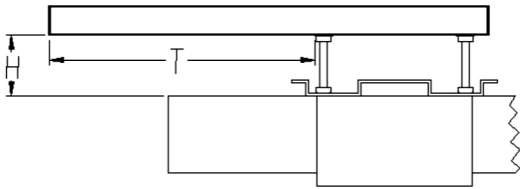
\*\* Based on utilizing max image area on pallet. Using smaller screens than indicated will limit max image size.

\*\*\* Requires HD head upgrade for use on V-1000, except when 20" x 24" screens are used and image size is reduced.





**Pallet Arm**  
 V-2000 P/N: **V2-ARM** (shown)  
 V-1000 P/N: **V1-ARM**



(Side View of Pallet Shown)

**Features:**

- All steel construction
- Replaceable rubber top
- Leveling screws
- Quick release pallet arm
- Call for custom sizes!!

<i>Specifications</i>	5" x 24" Leg Pallet	6" x 24" Leg Pallet
*V-2000 Part Number:	<b>V2P-LEG524</b>	<b>V2P-LEG624</b>
*V-1000 Part Number:	<b>V1P-LEG524***</b>	<b>V1P-LEG624***</b>
V-1000 P/N fits on V-100	<b>NO</b>	<b>NO</b>
Replacement Rubber P/N:	<b>VPR-LEG524</b>	<b>VPR-LEG624</b>
W x L	5" x 24" (12.8 x 61cm)	6" x 24" (15.25 x 61cm)
H x T (V-2000)	1.5" x 21.8" (3.8 x 55.3 cm)	1.5" x 21.8" (3.8 x 55.3 cm)
H x T (V-1000)	.8" x 21.8" (2 x 55.3cm)	.8" x 21.8" (2 x 55.3cm)
Max Image Size:	4.5" x 23.5" (11.5 x 60cm)	5.5" x 23.5" (14 x 60cm)
**Suggested Screen Size (V-2000):	23" x 31" (58.4 x 78.7cm)	23" x 31" (58.4 x 78.7cm)
**Suggested Screen Size (V-1000):	<b>V1-46:</b> 23" x 31" (58.4 x 78.7cm) <b>V1-44:</b> Custom, minimum 34" long. (86cm)	<b>V1-46:</b> 23" x 31" (58.4 x 78.7cm) <b>V1-44:</b> Custom, minimum 34" long. (86cm)
Shipping Weight:	13lb (5.9 kg)	14lb (6.4kg)

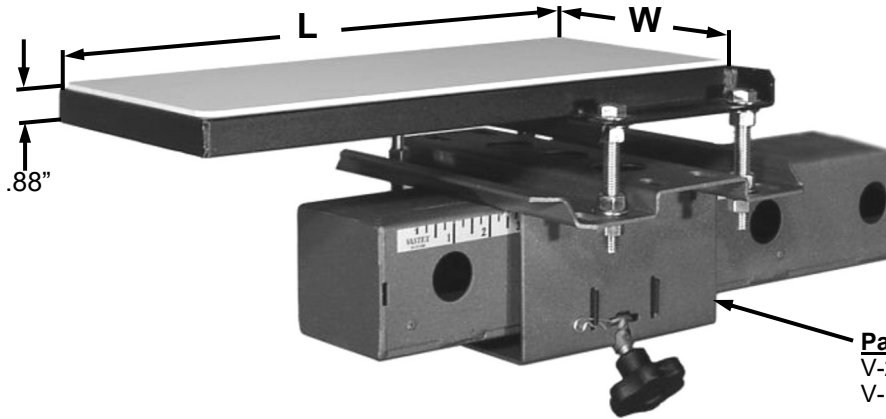
For Quick Stretch (Jacket hold-down) specs and availability, please refer to the Quick Stretch spec sheet

\* To order a pallet **without** a Vastex Pallet Arm, add "-NA" after the pallet's part number. Ex: **V2P-1517-NA**

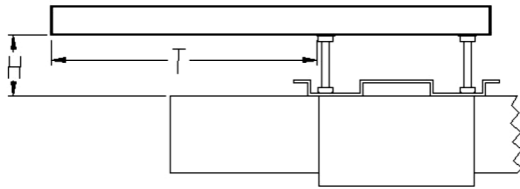
\*\* Based on utilizing max image area on pallet. Using smaller screens than indicated will limit max image size.

\*\*\* Requires HD head upgrade for use on V-1000, except when 20" x 24" screens are used and image size is reduced.





**Pallet Arm**  
 V-2000 P/N: **V2-ARM** (shown)  
 V-1000 P/N: **V1-ARM**



(Side View of Pallet Shown)

- Features:**
- All steel construction
  - Replaceable rubber top
  - Leveling screws
  - Quick release pallet arm
  - Call for custom sizes!!

With the printing surface extended past the mounting point, these pallets work great for short sleeves, short legs, canvas bags, towels, knit beanies, and many other jobs!

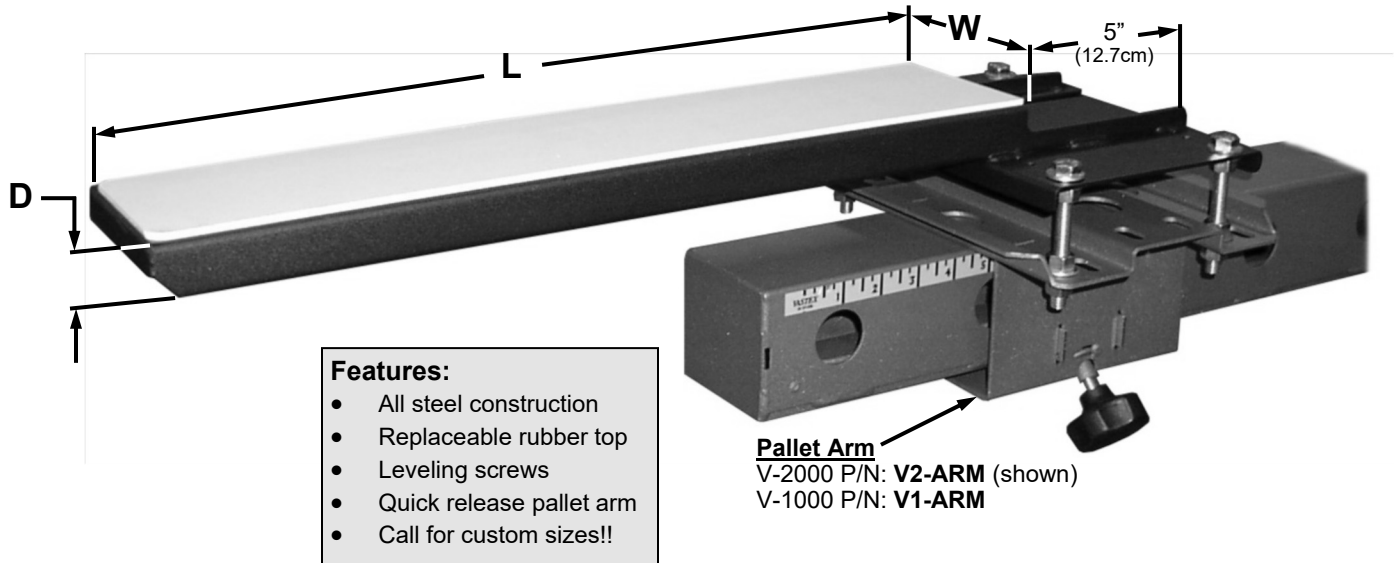
**Great for infant and toddler clothing!**

<i>Specifications</i>	3" x 9" Short Sleeve	4" x 9" Short Sleeve	5" x 9" Short Sleeve	6" x 9" Short Leg
*V-2000 Part Number:	<b>V2P-SS39</b>	<b>V2P-SS49</b>	<b>V2P-SS59</b>	<b>V2P-LEG69</b>
*V-1000 Part Number:	<b>V1P-SS39</b>	<b>V1P-SS49</b>	<b>V1P-SS59</b>	<b>V1P-LEG69</b>
V-1000 P/N fits on V-100	<b>YES</b>	<b>YES</b>	<b>YES</b>	<b>YES</b>
Replacement Rubber P/N:	<b>VPR-SS39</b>	<b>VPR-SS49</b>	<b>VPR-SS59</b>	<b>VPR-LEG69</b>
W x L	3" X 14" (7.5 X 35.5 cm)	4" x 14" (10 x 35.5cm)	5" x 14" (12.8 x 35.5 cm)	6" x 14" (15 x 35½ cm)
H x T (V-2000)	2.4" X 4.5" (6 X 11½ cm)	2.4" X 4.5" (6 X 11.5 cm)	2.4" X 4.5" (6 X 11.5 cm)	2.4" X 4.5" (6 X 11.5 cm)
H x T (V-1000)	1.6" X 4.5" (4 x 11.5 cm)	1.6" X 4.5" (4 x 11.5 cm)	1.6" X 4.5" (4 x 11.5 cm)	1.6" X 4.5" (4 x 11.5 cm)
Max Image Size:	2.5" x 8.5" (6.3 x 21.5 cm)	3.5" x 8.5" (9 x 21.5 cm)	4.5" x 8.5" (11.5 x 21.5 cm)	5.5" x 8.5" (14 x 21.5 cm)
**Suggested Screen Size:	20" x 24" (51x61cm)	20" x 24" (51x61cm)	20" x 24" (51x61cm)	20" x 24" (51x61cm)
Shipping Weight:	13lb (5.9 kg)	13lb (5.9 kg)	14lb (6.4kg)	14lb (6.4kg)

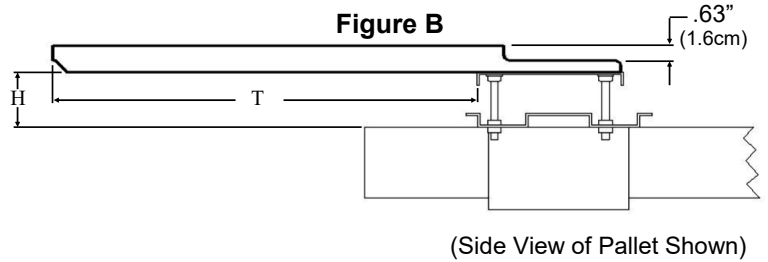
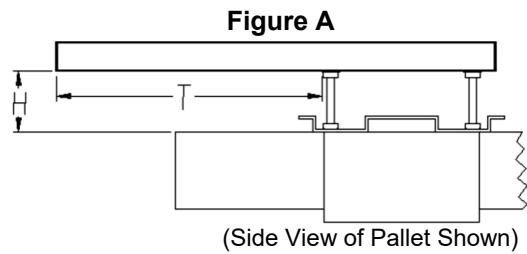
For Quick Stretch (Jacket hold-down) specs and availability, please refer to the Quick Stretch spec sheet  
 \* To order a pallet **without** a Vastex Pallet Arm, add "-NA" after the pallet's part number. Ex: **V2P-1517-NA**  
 \*\* Based on utilizing max image area on pallet. Using smaller screens than indicated will limit max image size.  
 \*\*\* Requires HD head upgrade for use on V-1000, except when 20" x 24" screens are used and image size is reduced.







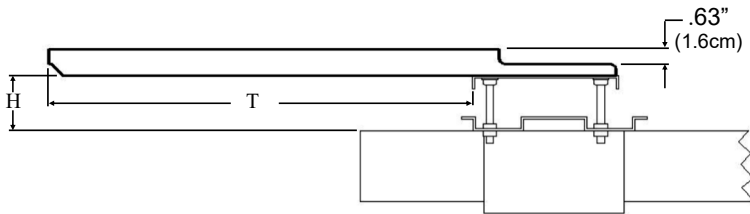
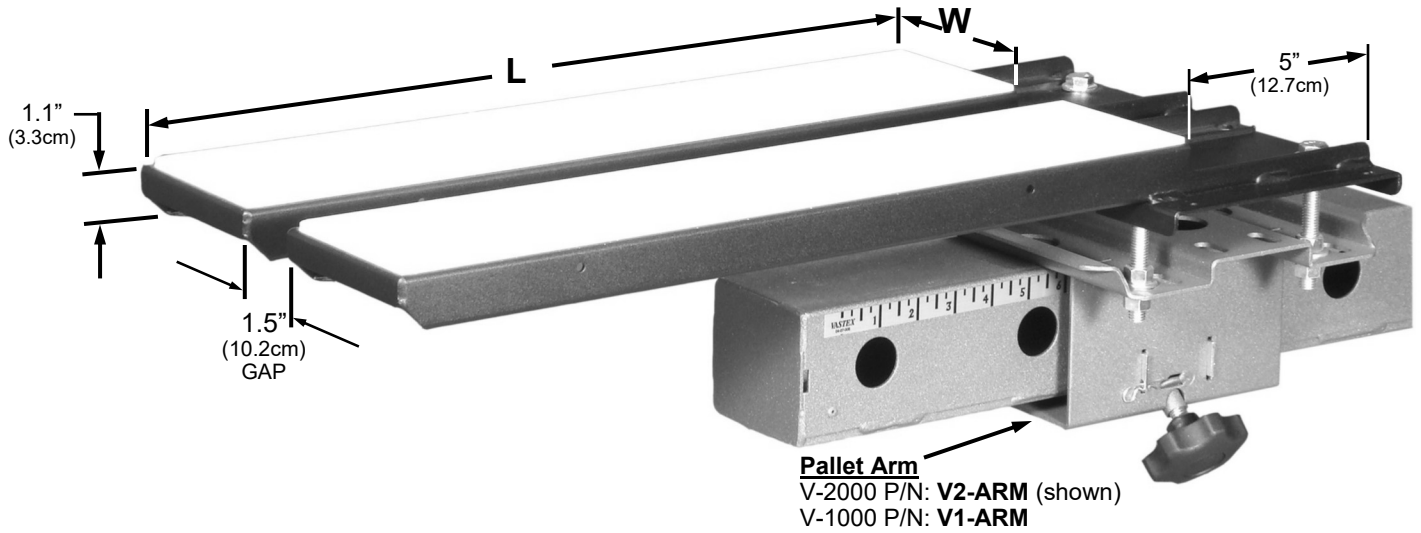
- Features:**
- All steel construction
  - Replaceable rubber top
  - Leveling screws
  - Quick release pallet arm
  - Call for custom sizes!!



<i>Specifications</i>	<b>A</b>	<b>A</b>	<b>B</b>	<b>B</b>	<b>B</b>
	2.5" x 14" Single Thin Sleeve	2 5/8" x 26" Single Thin Sleeve	4" x 19" Single Long Sleeve	5" x 19" Single Long Sleeve	6" x 19" Single Long Sleeve
*V-2000 Part Number:	<b>V2P-214</b>	<b>V2P-226</b>	<b>V2P-SLS419</b>	<b>V2P-SLS519</b>	<b>V2P-SLS619</b>
*V-1000 Part Number:	<b>V1P-214</b>	<b>V1P-226</b>	<b>V1P-SLS419***</b>	<b>V1P-SLS519***</b>	<b>V1P-SLS619***</b>
V-1000 P/N fits on V-100	<b>YES</b>	<b>NO</b>	<b>YES</b>	<b>YES</b>	<b>YES</b>
Replacement Rubber P/N:	<b>VPR-214</b>	<b>VPR-226</b>	<b>VPR-SLS419</b>	<b>VPR-SLS519</b>	<b>VPR-SLS619</b>
W x L x D	2.5" x 18.25" x 1" (6.4 x 46.4 x 2.5cm)	2 5/8" x 26" x 1" (6.7 X 66 x 2.5cm)	4" x 19.3" x 1.12" (10.2 x 48.9 x 2.8 cm)	5" x 19.3" x 1.12" (12.7 x 48.9 x 2.8cm)	6" X 19.3" x 1.12" (15.2 X 48.9 x 2.8cm)
H x T (V-2000)	2" x 14" (5.1 x 35.6cm)	2" x 21.8" (5.1 x 55.4cm)	2.1" x 18.1" (5.4 x 46 cm)	2.1" x 18.1" (5.4 x 46 cm)	2.1" x 18.1" (5.4 x 46 cm)
H x T (V-1000)	1.3" x 14" (3.3 x 35.6cm)	1.3" x 21.8" (3.3 x 55.4cm)	1.4" x 18.1" (3.5 x 46cm)	1.4" x 18.1" (3.5 x 46cm)	1.4" x 18.1" (3.5 x 46cm)
Max Image Size:	2" x 17.8" (5.1 x 45.2cm)	2 1/8" x 25.5" (5.4 x 64.8cm)	3.5" x 18.5" (8.9 x 47 cm)	4.5" x 18.5" (11.4 x 47cm)	5.5" x 18.5" (14 x 47cm)
**Suggested Screen Size: V-2000	20" x 24" (51x61cm)	23" x 31" (58.4 x 78.7cm)	23" x 31" (58.4 x 78.7cm)	23" x 31" (58.4 x 78.7cm)	23" x 31" (58.4 x 78.7cm)
**Suggested Screen Size: V-1000	20" x 24" (51x61cm)	23" x 31" (58.4 x 78.7cm)	20" x 27" (50.8 x 78.6cm)	20" x 27" (50.8 x 78.6cm)	20" x 27" (50.8 x 78.6cm)
Shipping Weight:	12lb (5.4kg)	12lb (5.4kg)	18lb (8.2kg)	19lb (8.6kg)	20lb (9.1kg)

For Quick Stretch (Jacket hold-down) specs and availability, please refer to the Quick Stretch spec sheet  
 \* To order a pallet **without** a Vastex Pallet Arm, add "-NA" after the pallet's part number. Ex: **V2P-1517-NA**  
 \*\* Based on utilizing max image area on pallet. Using smaller screens than indicated will limit max image size.  
 \*\*\* Requires HD head upgrade for use on V-1000, except when 20" x 24" screens are used and image size is reduced.





(Side View of Pallet Shown)

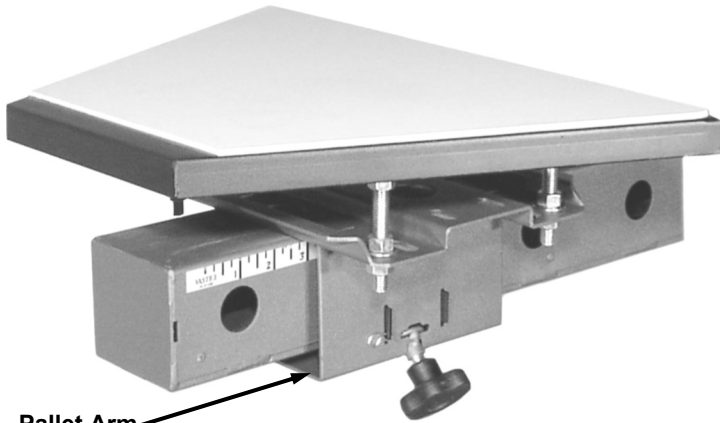
- Features:**
- All steel construction
  - Replaceable rubber top
  - Leveling screws
  - Quick release pallet arm
  - Removable neck guide
  - Call for custom sizes!!

**Printing two sleeves with one stroke increases production!!**

<i>Specifications</i>	4" x 19" Double Long Sleeve	5" x 19" Double Long Sleeve
*V-2000 Part Number:	<b>V2P-DLS419</b>	<b>V2P-DLS519</b>
*V-1000 Part Number:	<b>V1P-DLS419***</b>	<b>V1P-DLS-519***</b>
V-1000 P/N fits on V-100	<b>YES</b>	<b>YES</b>
Replacement Rubber P/N:	<b>VPR-DLS419</b>	<b>VPR-DLS519</b>
W x L	4" x 24" (10.7 x 61 cm)	5" x 24" (12.7 x 61cm)
H x T (V-2000)	2.2" x 18.8" (4.8 x 47.8 cm)	2.2" x 18.8" (4.8 x 47.8 cm)
H x T (V-1000)	1.5" x 18.8" (2.9 x 47.8 cm)	1.5" x 18.8" (2.9 x 47.8 cm)
Max Image Size:	(2x): 3.5" x 19" (8.9 x 48.3 cm)	4.5" x 19" (11.4 x 48.3cm)
**Suggested Screen Size:	20" x 27" (50.8 x 78.6cm)	20" x 27" (50.8 x 78.6cm)
Shipping Weight:	23lb (10.4kg)	23lb (10.4kg)

For Quick Stretch (Jacket hold-down) specs and availability, please refer to the Quick Stretch spec sheet  
 \* To order a pallet **without** a Vastex Pallet Arm, add "-NA" after the pallet's part number. Ex: **V2P-1517-NA**  
 \*\* Based on utilizing max image area on pallet. Using smaller screens than indicated will limit max image size.  
 \*\*\* Requires HD head upgrade for use on V-1000, except when 20" x 24" screens are used and image size is reduced.

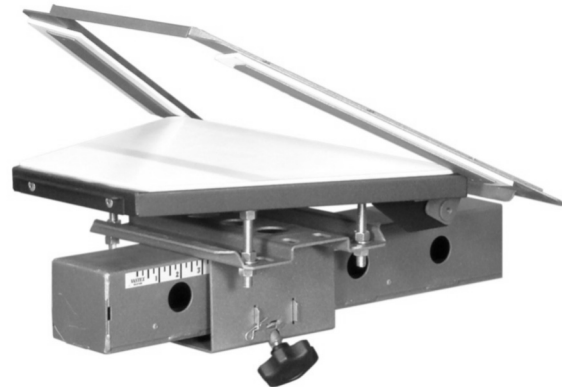
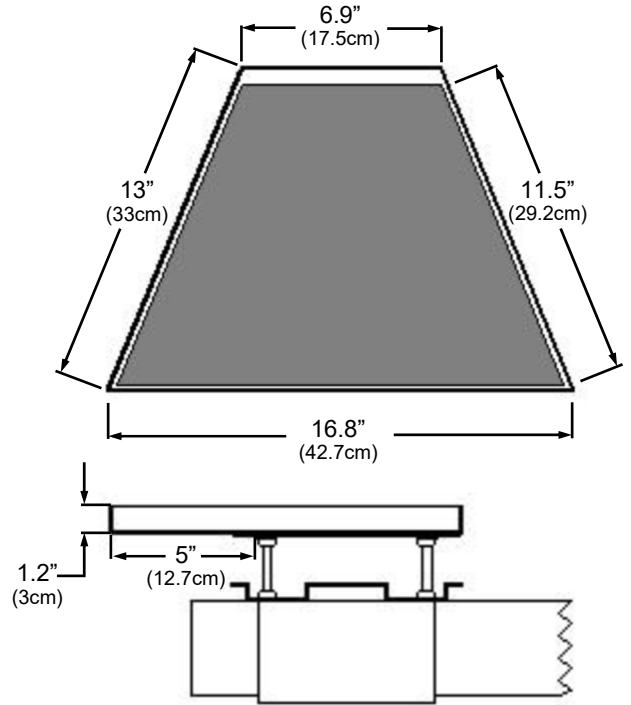




**Pallet Arm**  
 V-2000 P/N: **V2-ARM** (shown)  
 V-1000 P/N: **V1-ARM**

**Features:**

- All steel construction
- Hinged Quick Stretch
- Replaceable rubber top
- Leveling screws
- Quick release pallet arm

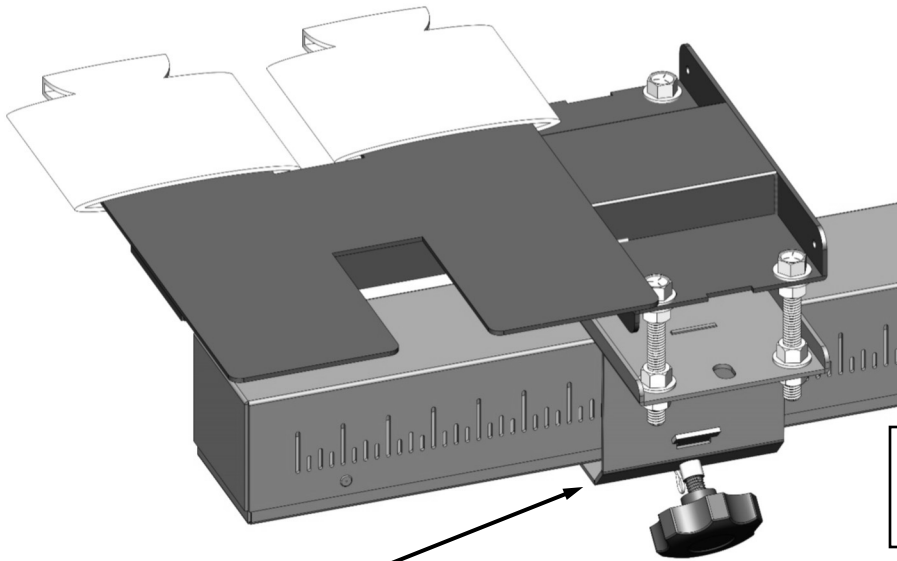


Umbrella pallet (above) shown with our hinged Quick Stretch. For ease of loading an umbrella, the quick stretch can sit in a raised position. (Shown on right)

<i>Specifications</i>	Umbrella Pallet	Umbrella Pallet Quick Stretch
*V-2000 Part Number:	<b>V2P-UMB</b>	<b>VQS-UMB</b>
*V-1000 Part Number:	<b>V1P-UMB</b>	<b>VQS-UMB</b>
V-1000 fits on V-100	<b>YES</b>	<b>YES</b>
Replacement Rubber P/N:	<b>VPR-UMB</b>	<b>N/A</b>
Max Image Size:	Varies upon application	Varies upon application
**Suggested Screen Size:	20" x 24" (51x61cm)	20" x 24" (51x61cm)
Shipping Weight:	20lb (9.1kg)	13lb (5.9kg)

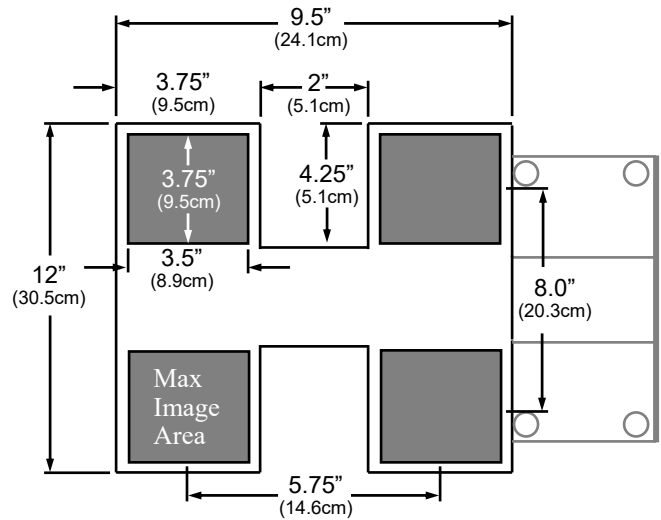
For Quick Stretch (Jacket hold-down) specs and availability, please refer to the Quick Stretch spec sheet  
 \* To order a pallet **without** a Vastex Pallet Arm, add "-NA" after the pallet's part number. Ex: **V2P-1517-NA**  
 \*\* Based on utilizing max image area on pallet. Using smaller screens than indicated will limit max image size.  
 \*\*\* Requires HD head upgrade for use on V-1000, except when 20" x 24" screens are used and image size is reduced.





**Pallet Arm**  
 V-2000 P/N: **V2-ARM-M** (shown)  
 V-1000 P/N: **V1-ARM-M**

**Print four koozies at once with this attachment! Simply use the drawing below to locate your artwork to print four simultaneously!!**



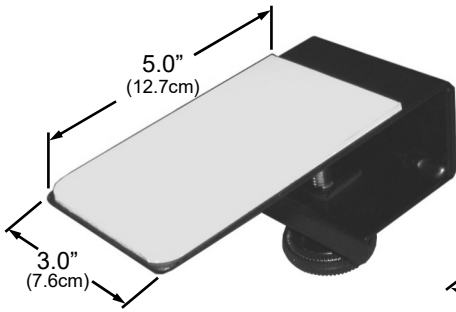
**Features:**

- All steel construction
- Leveling screws
- Quick release pallet arm
- Call for custom sizes!!

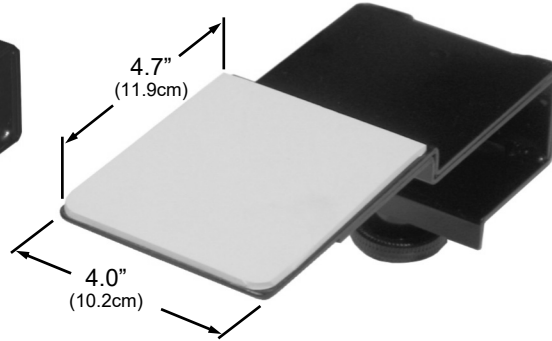
<i>Specifications</i>	<b>Koozie Pallet</b>
<b>*V-2000 Part Number:</b>	<b>V2P-KZ4</b>
<b>*V-1000 Part Number:</b>	<b>V1P-KZ4</b>
<b>V-1000 P/N fits on V-100</b>	<b>YES</b>
<b>Replacement Rubber P/N:</b>	<b>N/A</b>
<b>Max Image Size:</b>	(4x) 3.5" x 3.75" (4x) 8.9 x 9.5cm
<b>**Suggested Screen Size:</b>	20" x 24" (51x61cm)
<b>Shipping Weight:</b>	12lb (5.4kg)
<b>Notes:</b>	-Enables you to print up to 4 flat style koozies at one time.

For Quick Stretch (Jacket hold-down) specs and availability, please refer to the Quick Stretch spec sheet  
 \* To order a pallet **without** a Vastex Pallet Arm, add "-NA" after the pallet's part number. Ex: **V2P-1517-NA**  
 \*\* Based on utilizing max image area on pallet. Using smaller screens than indicated will limit max image size.  
 \*\*\* Requires HD head upgrade for use on V-1000, except when 20" x 24" screens are used and image size is reduced.

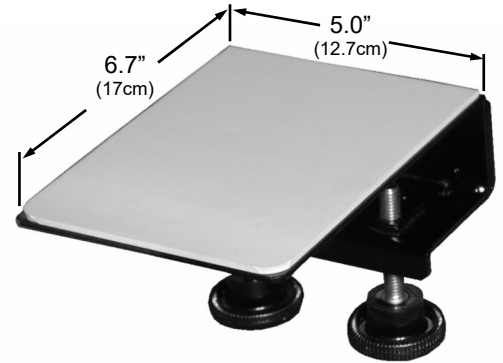




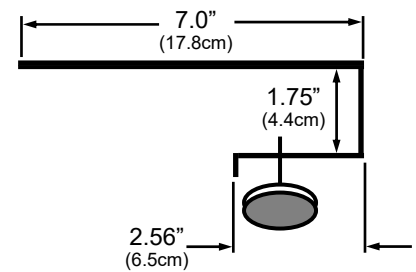
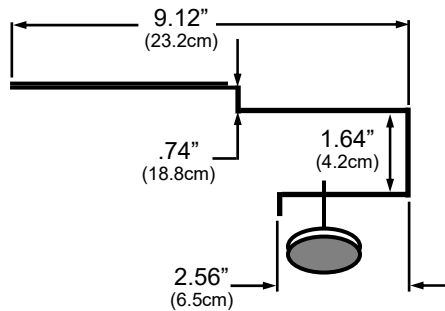
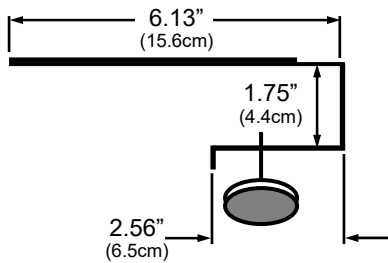
Over Pocket Attachment



Pocket Attachment



Polo Shirt Attachment



**Features:**

- All steel construction
- Replaceable rubber top
- Quick release pallet arm
- Call for custom sizes!!

Specifications	Over Pocket Attachment	Pocket Attachment	Polo Attachment
Part Number:	<b>VP-APA</b>	<b>VP-PA</b>	<b>VP-PSA</b>
Replacement Rubber P/N:	<b>VPR-APA</b>	<b>VPR-PA</b>	<b>VPR-PSA</b>
Max Image Size:	2.5" x 4.5" (6.4 x 11.4cm)	3.5" x 4.2" (8.9 x 10.7cm)	4.5" x 6.2" (11.4 x 15.7cm)
**Suggested Screen Size:	20" x 24" (51x61cm)	20" x 24" (51x61cm)	20" x 24" (51x61cm)
Shipping Weight:	3lb (1.4kg)	4lb (1.8kg)	5lb (2.3kg)
Notes:	-Helps simplify alignment of above pocket prints -Brings printing surface above pocket height	-Gives you the ability to print multi-color designs on pockets without the pocket moving -Shim the screen up for quick height adjustment	-Raises printing surface above polo-shirt buttons -Place 2 side by side to print across seams!

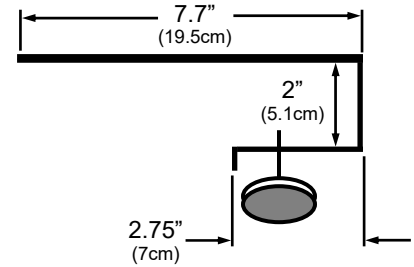
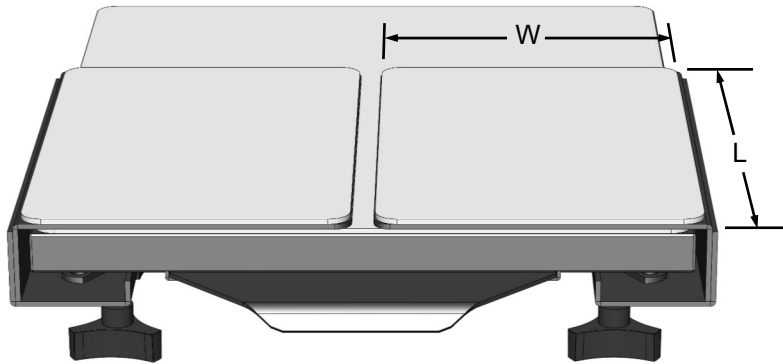
For Quick Stretch (Jacket hold-down) specs and availability, please refer to the Quick Stretch spec sheet

\* To order a pallet **without** a Vastex Pallet Arm, add "-NA" after the pallet's part number. Ex: **V2P-1517-NA**

\*\* Based on utilizing max image area on pallet. Using smaller screens than indicated will limit max image size.

\*\*\* Requires HD head upgrade for use on V-1000, except when 20" x 24" screens are used and image size is reduced.





**VP-ZAS11** (Pictured) is shown installed as a pair on a 15x17 pallet.

These repositionable attachments accommodate zippers and seams. Position them so a seam lays between them to print right across. Great for zip up hoodies and jackets with seams or panels.

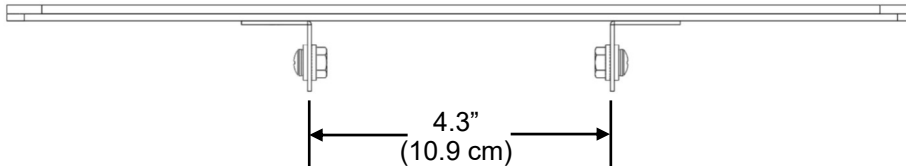
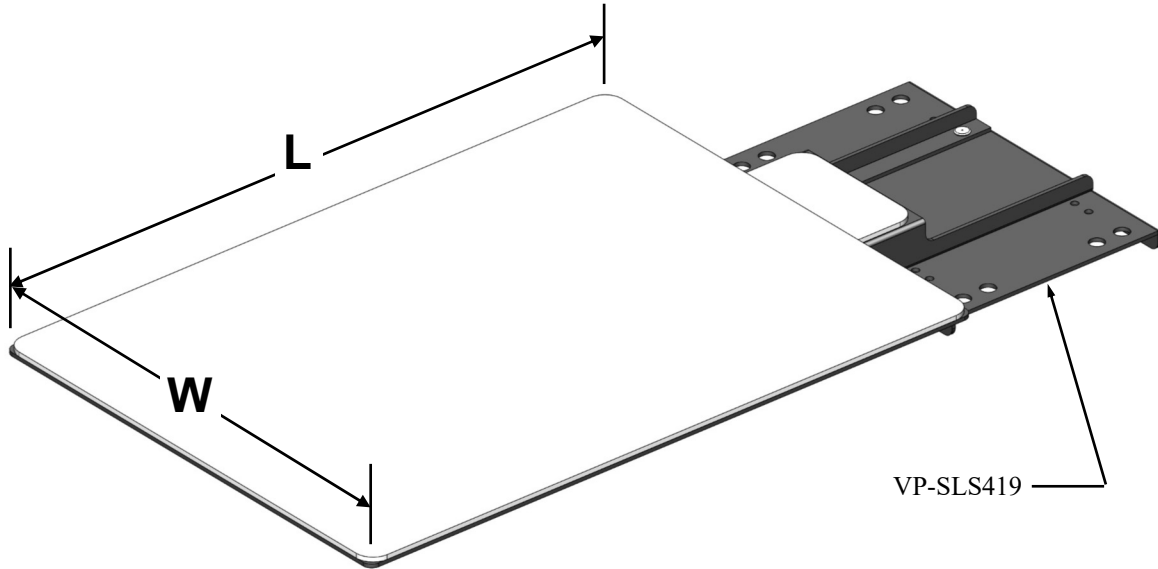
The Zipper attachments are sized, on a 15" wide pallet, to leave as small as a 1/8" gap between the two attachments.

- Features:**
- All steel construction
  - Replaceable rubber top
  - Quick release pallet arm
  - Call for custom sizes!!

<i>Specifications</i>	Zipper Attachment 11" x 7.5"	Zipper Attachment 16" x 7.5"
Part Number:	<b>VP-ZAS11</b>	<b>VP-ZAS16</b>
Replacement Rubber P/N:	<b>VPR-ZAS11</b>	<b>VPR-ZAS16</b>
L x W	<b>11" x 7.5"</b>	<b>16" x 7.5"</b>
Max Image Size (Using two attachments):	10" x 14" (25.4 x 35.6cm)	15" x 14" (38 x 35.6cm)
**Suggested Screen Size:	20" x 24" (51x61cm)	20" x 24" (51x61cm)
Shipping Weight:	20lb (9.1kg)	20lb (9.1kg)

For Quick Stretch (Jacket hold-down) specs and availability, please refer to the Quick Stretch spec sheet  
 \* To order a pallet **without** a Vastex Pallet Arm, add "-NA" after the pallet's part number. Ex: **V2P-1517-NA**  
 \*\* Based on utilizing max image area on pallet. Using smaller screens than indicated will limit max image size.  
 \*\*\* Requires HD head upgrade for use on V-1000, except when 20" x 24" screens are used and image size is reduced.





**Features:**

- All steel construction
- Replaceable rubber top
- Quick release pallet arm
- Call for custom sizes!!

<i>Specifications</i>	Bag Attachment 13" x 18"	Bag Attachment 14" x 18"
Part Number:	<b>VP-BAG1318</b>	<b>VP-BAG1418</b>
Replacement Rubber P/N:	<b>VPR-BAG1318</b>	<b>VPR-BAG1418</b>
L x W	<b>13" x 18"</b>	<b>14" x 18"</b>
**Suggested Screen Size:	20" x 27" (50.8 x 78.6cm)	20" x 27" (50.8 x 78.6cm)
Shipping Weight:	15lb (6.8kg)	15lb (6.8kg)
Notes:	Attaches to VP-SLS419(not included)	Attaches to VP-SLS419(not included)

For Quick Stretch (Jacket hold-down) specs and availability, please refer to the Quick Stretch spec sheet

\* To order a pallet **without** a Vastex Pallet Arm, add "-NA" after the pallet's part number. Ex: **V2P-1517-NA**

\*\* Based on utilizing max image area on pallet. Using smaller screens than indicated will limit max image size.

\*\*\* Requires HD head upgrade for use on V-1000, except when 20" x 24" screens are used and image size is reduced.

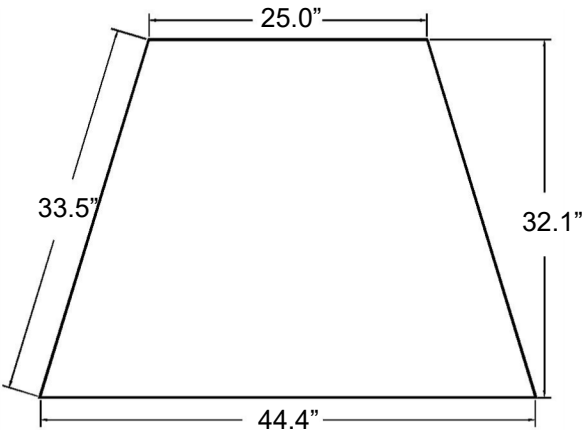




**Features:**

- All steel construction
- Replaceable rubber top
- Leveling screws
- Quick release pallet arm
- Call for custom sizes!!

See the Videos page on our website to see this pallet in use!  
[WWW.VASTEX.COM](http://WWW.VASTEX.COM)

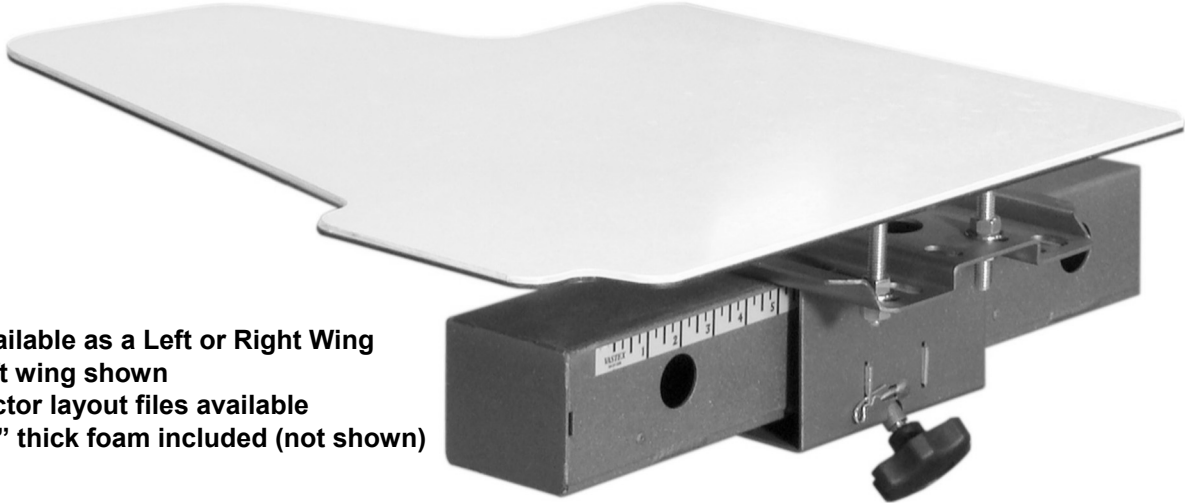


<i>Specifications</i>	All Over Pallet
*V-2000 Part Number:	<b>V2P-AOP-XLB</b>
*V-1000 Part Number:	<b>N/A</b>
Replacement Rubber P/N:	<b>VPR-AOP-XL</b>
Replacement Foam P/N:	VPF-AOP-XL
Max Image Size:	XL Shirt, All Over
Suggested Screen Size:	Custom to your application
Shipping Weight:	97lb (44kg)

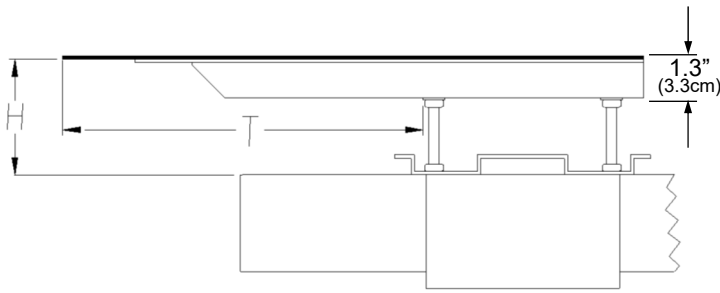
For Quick Stretch (Jacket hold-down) specs and availability, please refer to the Quick Stretch spec sheet  
 \* To order a pallet **without** a Vastex Pallet Arm, add "-NA" after the pallet's part number. Ex: **V2P-1517-NA**



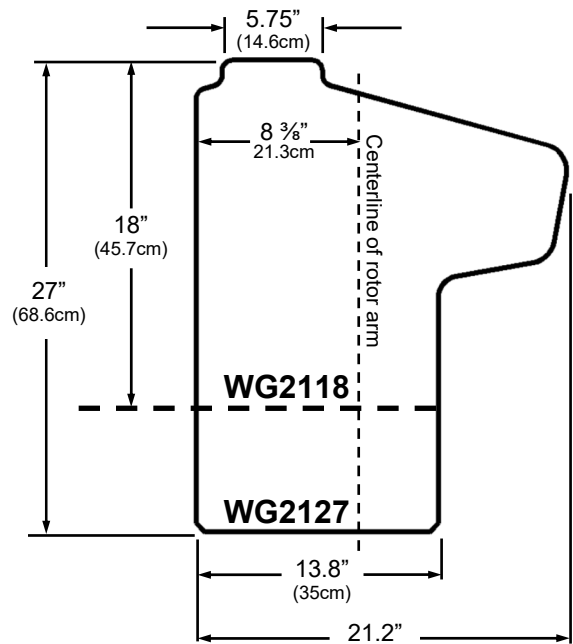




- Available as a Left or Right Wing
- Left wing shown
- Vector layout files available
- 1/4" thick foam included (not shown)



(Side View of Pallet Shown)



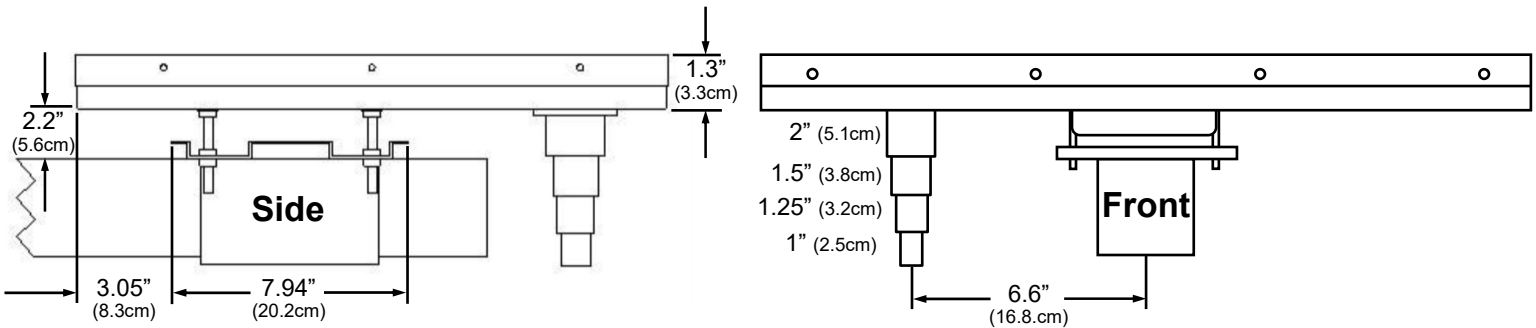
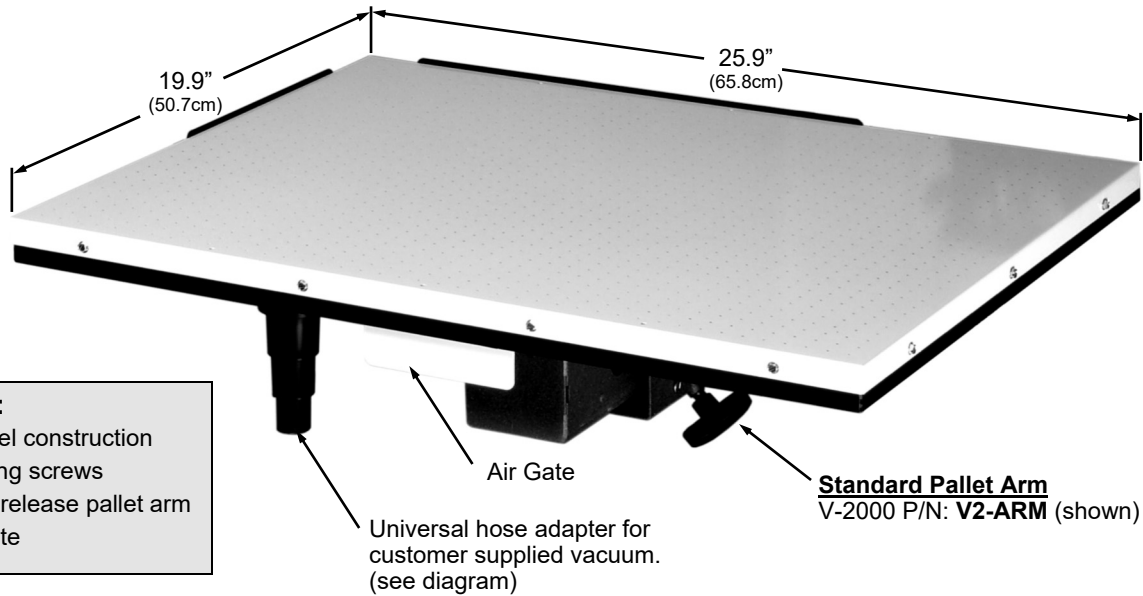
<i>Specifications</i>	21" x 18" Wing Pallet	21" x 27" Wing Pallet
*V-2000 Part Number:	<b>V2P-WG2118</b>	<b>V2P-WG2127</b>
*V-1000 Part Number:	<b>V1P-WG2118</b>	<b>V1P-WG2127***</b>
V-1000 P/N fits on V-100	<b>NO</b>	<b>NO</b>
Pallet Rubber Only P/N:	<b>VPR-WG2118</b>	<b>VPR-WG2127</b>
H x T (V-2000):	2" x 11½" or 13½" (5.1 cm x 29-34 cm)	2" x 13¼" or 16¼" (5.1 x 33.7-41.3 cm)
H x T (V-1000):	1.3" x (11½"-13½") (3.3 cm x 29-34 cm)	1.3" x (13¼"-16¼") (3.3 x 33.7-41.3 cm)
**Suggested Screen Size:	23" x 31"	25" x 36"
Shipping Weight:		

\* To order a pallet **without** a Vastex Pallet Arm, add "-NA" after the pallet's part number. Ex: **V2P-1517-NA**

\*\* Based on utilizing max image area on pallet. Using smaller screens than indicated will limit max image size.

\*\*\* Requires HD head upgrade for use on V-1000, except when 20" x 24" screens are used and image size is reduced.





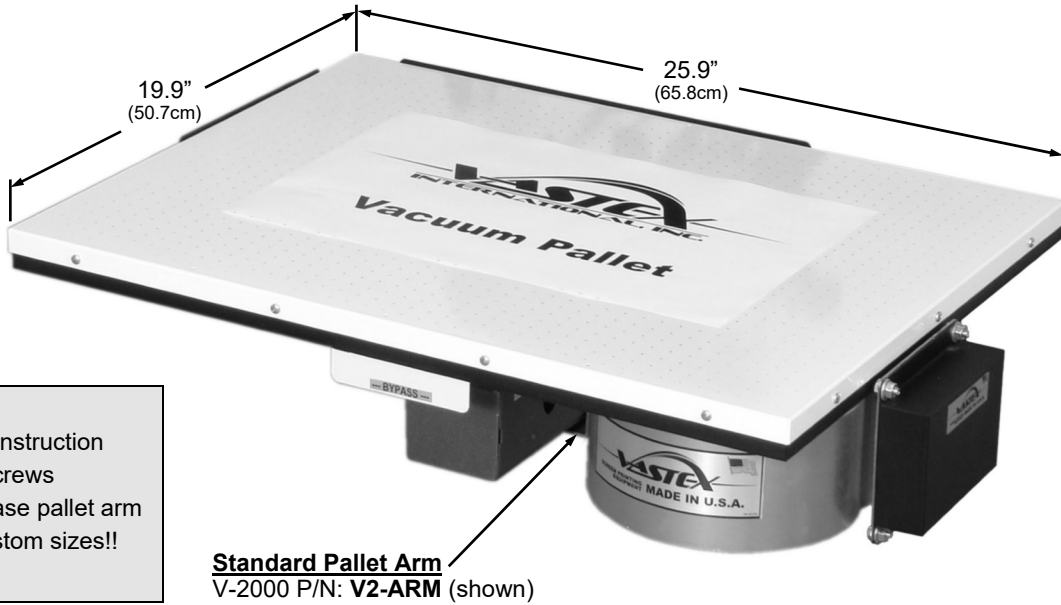
Specifications	Vacuum Pallet
*V-2000 Part Number:	<b>V2-VAC-1824</b>
*V-1000 Part Number:	<b>N/A</b>
Replacement Rubber P/N:	<b>N/A</b>
Max Image Size:	18" x 24" (45.7 x 61cm)
**Suggested Screen Size:	23" x 31" (58.4 x 78.7cm)
Shipping Weight:	20lb (9.1kg)
Notes:	-Great for printing chloroplast signs, heat transfers, paper, thin plastic, and more! -Enables you to print on materials unable to be held by glue or quick stretch

For Quick Stretch (Jacket hold-down) specs and availability, please refer to the Quick Stretch spec sheet

\* To order a pallet **without** a Vastex Pallet Arm, add "-NA" after the pallet's part number. Ex: **V2P-1517-NA**

\*\* Based on utilizing max image area on pallet. Using smaller screens than indicated will limit max image size.

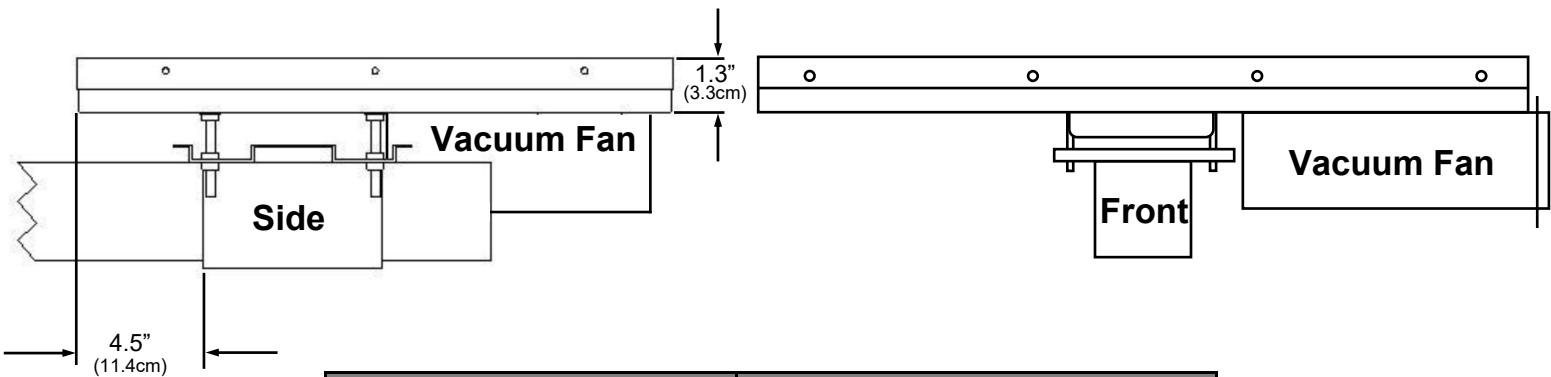
\*\*\* Requires HD head upgrade for use on V-1000, except when 20" x 24" screens are used and image size is reduced.



**Features:**

- All steel construction
- Leveling screws
- Quick release pallet arm
- Call for custom sizes!!
- Air Gate

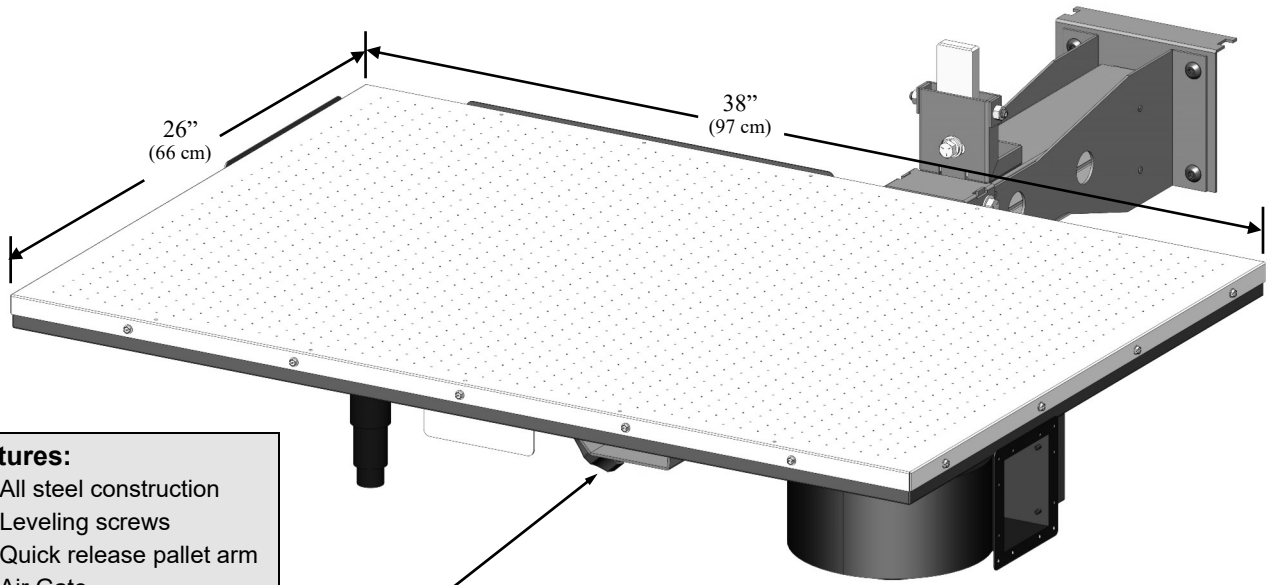
**Standard Pallet Arm**  
V-2000 P/N: **V2-ARM** (shown)



Specifications	Vacuum Pallet
*V-2000 Part Number:	<b>120V: V2-VAC120-1824</b> <b>240V: V2-VAC240-1824</b>
*V-1000 Part Number:	<b>N/A</b>
Replacement Rubber P/N:	<b>N/A</b>
Max Image Size:	18" x 24" (45.7 x 61cm)
**Suggested Screen Size:	23" x 31" (58.4 x 78.7cm)
Shipping Weight:	20lb (9.1kg)
Notes:	-Great for printing chloroplast signs, heat transfers, paper, thin plastic, and more! -Enables you to print on materials unable to be held by glue or quick stretch

For Quick Stretch (Jacket hold-down) specs and availability, please refer to the Quick Stretch spec sheet  
 \* To order a pallet **without** a Vastex Pallet Arm, add "-NA" after the pallet's part number. Ex: **V2P-1517-NA**  
 \*\* Based on utilizing max image area on pallet. Using smaller screens than indicated will limit max image size.  
 \*\*\* Requires HD head upgrade for use on V-1000, except when 20" x 24" screens are used and image size is reduced.

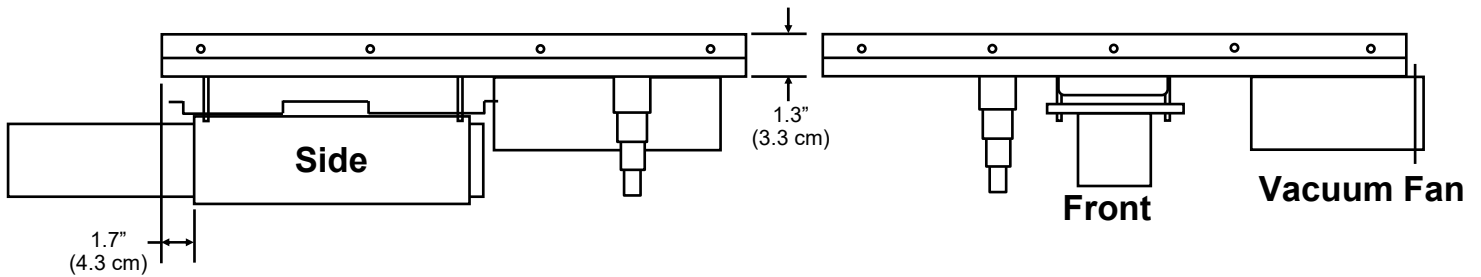




**Features:**

- All steel construction
- Leveling screws
- Quick release pallet arm
- Air Gate

**H/D Pallet Arm**  
V-2000 P/N: V2-ARM-HD (shown)

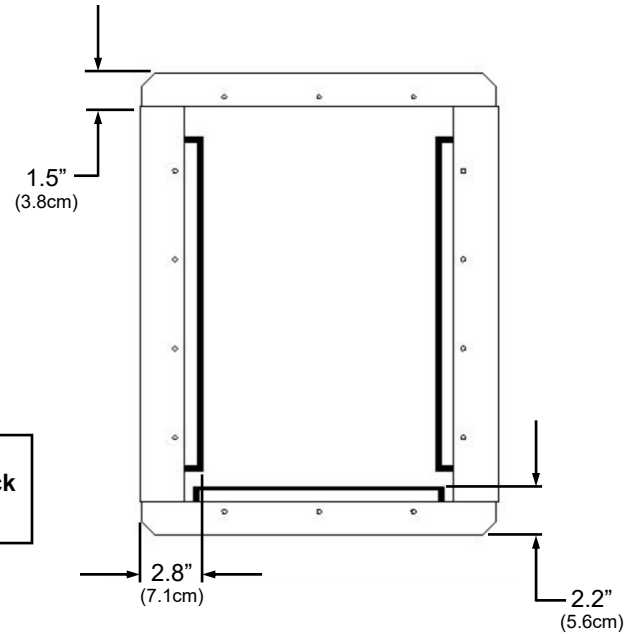
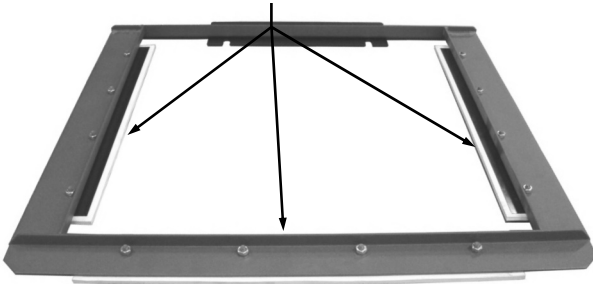


Specifications	Vacuum Pallet
*V-2000 Part Number:	<b>V2-VAC-2436</b>
*V-1000 Part Number:	<b>N/A</b>
Replacement Rubber P/N:	<b>N/A</b>
Max Image Size:	24" x 36" (61 x 91.4 cm)
**Suggested Screen Size:	36" x 48" (91.4 x 122 cm)
Shipping Weight:	
Notes:	-Great for printing chloroplast signs, heat transfers, paper, thin plastic, and more! -Enables you to print on materials unable to be held by glue or quick stretch

For Quick Stretch (Jacket hold-down) specs and availability, please refer to the Quick Stretch spec sheet  
 \* To order a pallet **without** a Vastex Pallet Arm, add "-NA" after the pallet's part number. Ex: **V2P-1517-NA**  
 \*\* Based on utilizing max image area on pallet. Using smaller screens than indicated will limit max image size.  
 \*\*\* Requires HD head upgrade for use on V-1000, except when 20" x 24" screens are used and image size is reduced.



Rubber on three sides on 10.5" x 17" and larger



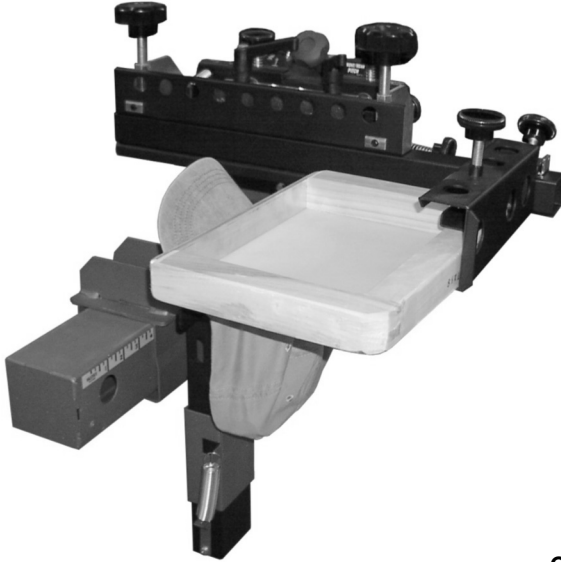
-Adjustable rubber to accommodate different materials!  
 -Use a Vastex Quick Stretch for printing without spray tack  
 -Great for 2-ply materials like jackets!

- Features:**
- All steel construction
  - Call for custom sizes!!
  - Fits all corresponding pallets

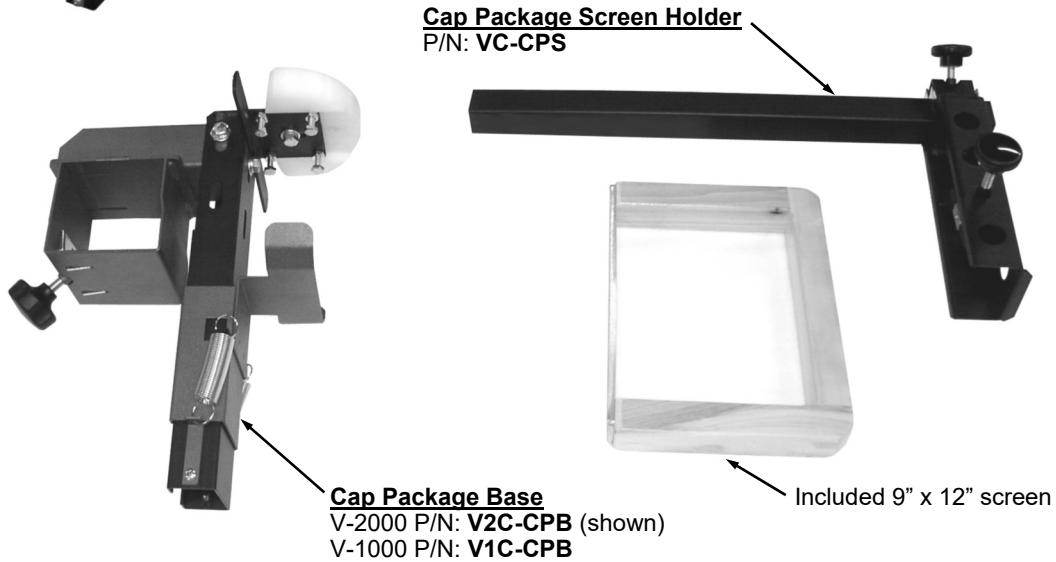
**PALLET NOT INCLUDED!!**

<i>Specifications</i>	6" x 6"	4" x 17" Sleeve	9" x 8"	13" x 8.5"	13" x 11"	10.5" x 17" Junior	15" x 17" Standard	17" x 21" Oversize	Umbrella
<b>Part Number:</b>	<b>VQS-66</b>	<b>VQS-417</b>	<b>VQS-98</b>	<b>VQS-138.5</b>	<b>VQS-1311</b>	<b>VQS-1017</b>	<b>VQS-1517</b>	<b>VQS-1721</b>	<b>VQS-UMB</b>
<b>Shipping Weight:</b>	9lb (4.1kg)	13lb (5.9kg)	10lb (4.5kg)	11lb (5kg)	11lb (5kg)	13lb (5.9kg)	16lb (7.3kg)	20lb (9.1kg)	14lb (6.4kg)
<b>Number of hold down, rubber sides:</b>	4	4	4	3	3	3	3	3	3
<b>Notes:</b>		-Includes cap to fit over pallet							

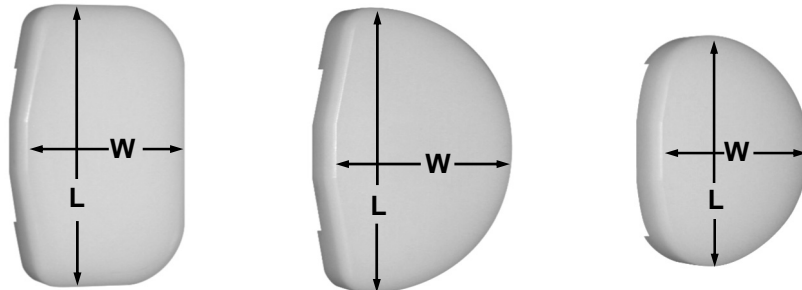




<i>Specifications</i>	Cap Package Base
V-2000 Part Number:	<b>V2C-CPB</b>
V-1000 Part Number:	<b>V1C-CPB</b>
V-1000 P/N fits on V-100	<b>YES</b>
Cap Package Screen Holder for V-1000 and V-2000	<b>VC-CPS</b> (includes Squeegee)
Shipping Weight:	16Lbs (7.3kg)

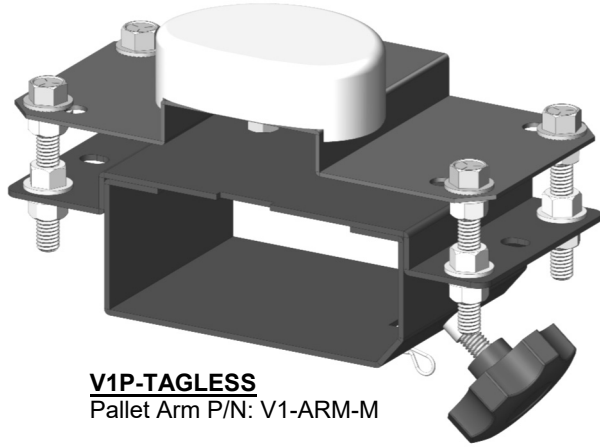


## Pallet Options

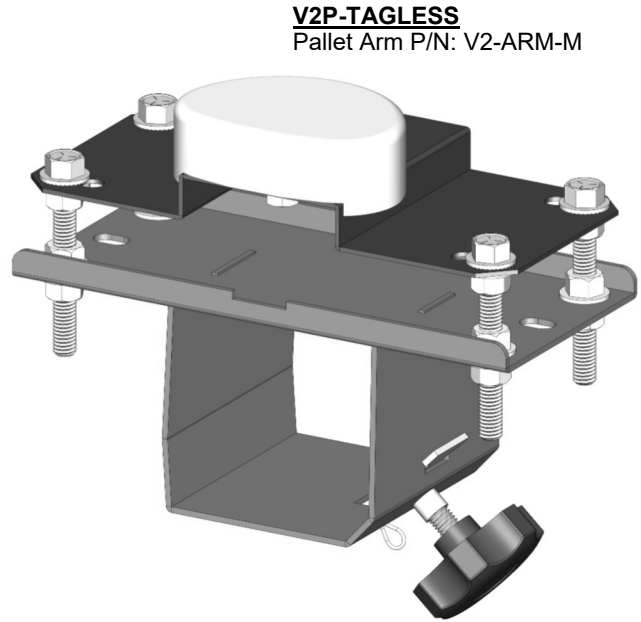


<i>Pallet Options</i>	Style 1	Style 2	Style 3
Part Number:	<b>VP-H1</b>	<b>VP-H2</b>	<b>VP-H3</b>
Length x Width (L x W):	5.13" x 3" (13 x 7.6cm)	4.88" x 3" (12.4 x 7.6cm)	3.56" x 2.5" (9 x 6.4cm)

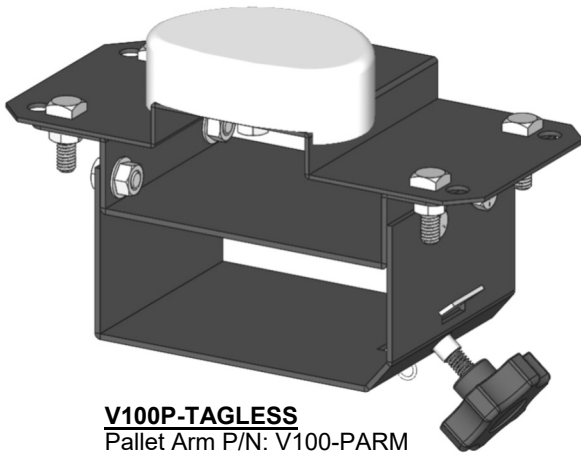
<i>Specifications</i>	Cap Package Base
V-2000 Part Number:	<b>V2P-TAGLESS</b>
V-1000 Part Number:	<b>V1P-TAGLESS</b>
V-100 Part Number:	<b>V100P-TAGLESS</b>
Shipping Weight:	16Lbs (7.3kg)



**V1P-TAGLESS**  
Pallet Arm P/N: V1-ARM-M

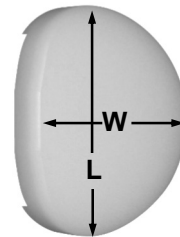
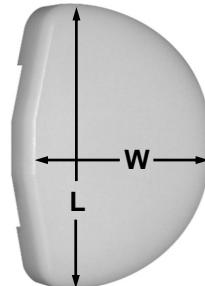


**V2P-TAGLESS**  
Pallet Arm P/N: V2-ARM-M



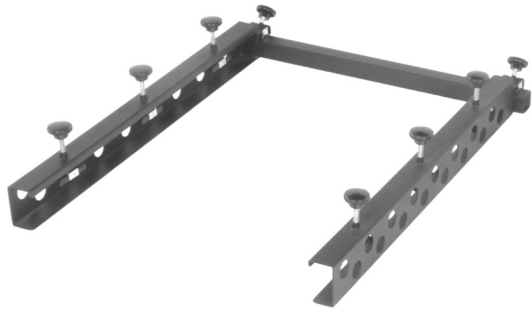
**V100P-TAGLESS**  
Pallet Arm P/N: V100-PARM

## Pallet Options



<i>Pallet Options</i>	Style 1	Style 2	Style 3
Part Number:	<b>VP-H1</b>	<b>VP-H2</b>	<b>VP-H3</b>
Length x Width (L x W):	5.13" x 3" (13 x 7.6cm)	4.88" x 3" (12.4 x 7.6cm)	3.56" x 2.5" (9 x 6.4cm)

**SC-2230/SC-2630**



**SC-2212/SC-2612**



**SC-2212:** Clamp-on side clamps

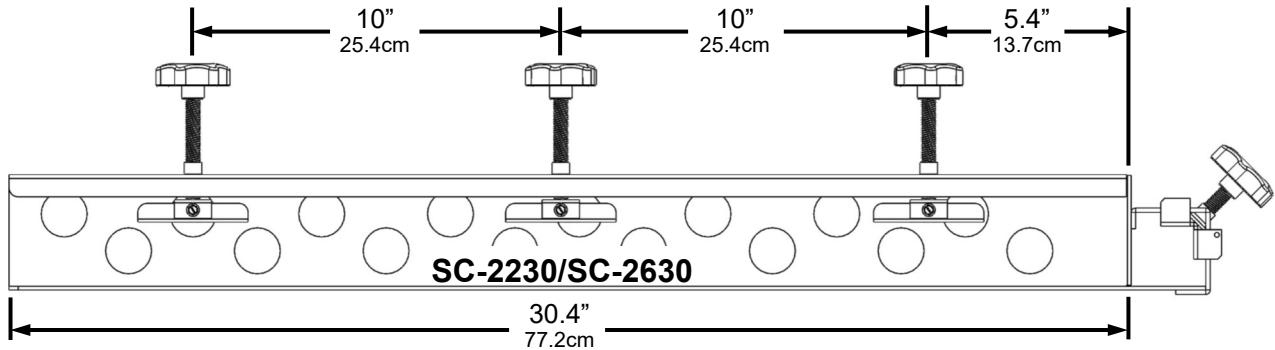
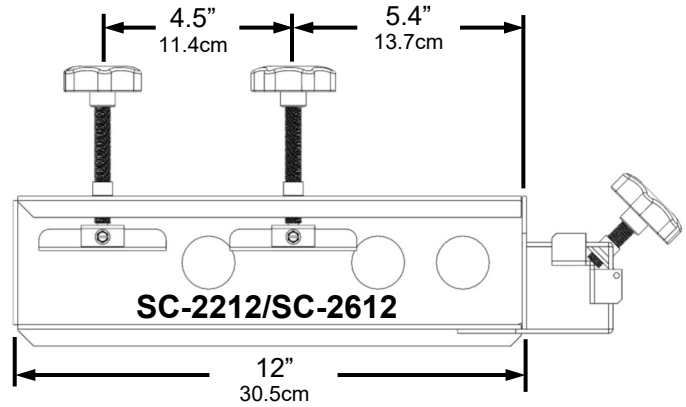
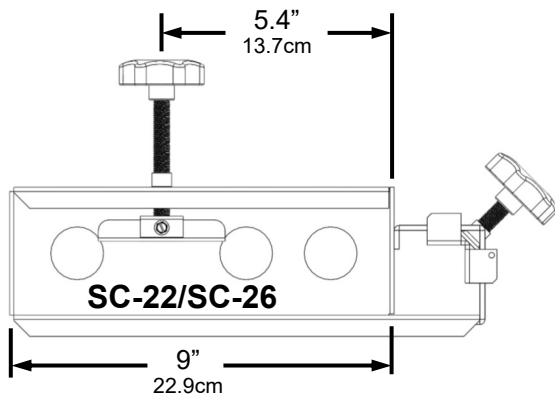
**SC-22/SC-26**



**SC-26:** Clamp-on side clamps

**SC-2230:** Clamp-on side clamps  
\*\*Not available for V-1000\*\*

Side clamps are available in two widths, 22" & 26". Fixed side clamps are available to V-2000 owners. All rear clamp presses can use the clamp-on side clamps (shown above).\*\*



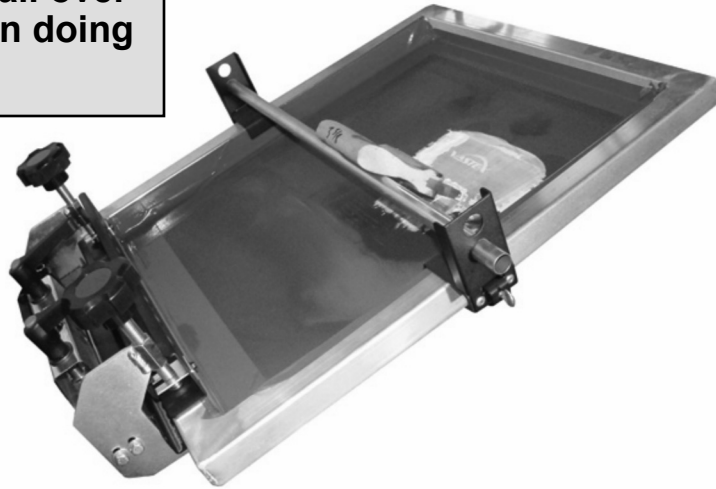
<i>Specifications</i>	SC-22	SC-26	SC-2212	SC-2612	SC-2230	SC-2630
<b>Max Screen Width:</b>	22" (55.9cm)	26" (66cm)	22" (55.9cm)	26" (66cm)	22" (55.9cm)	26" (66cm)
<b>Attachment weight:</b>	8.5lb (3.9kg)	8.5lb (3.9kg)	10.5lb (4.8kg)	10.5lb (4.8kg)	16lb (7.3kg)	16lb (7.3kg)
<b>Shipping Weight:</b>	10.5lb (4.8kg)	10.5lb (4.8kg)	12.5lb (5.7kg)	12.5lb (5.7kg)	18lb (8.2kg)	18lb (8.2kg)

\*\*SC-2230 and SC-2630 not available for V-1000 due to weight limitations.

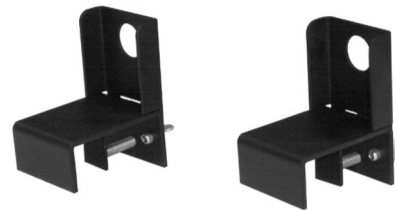
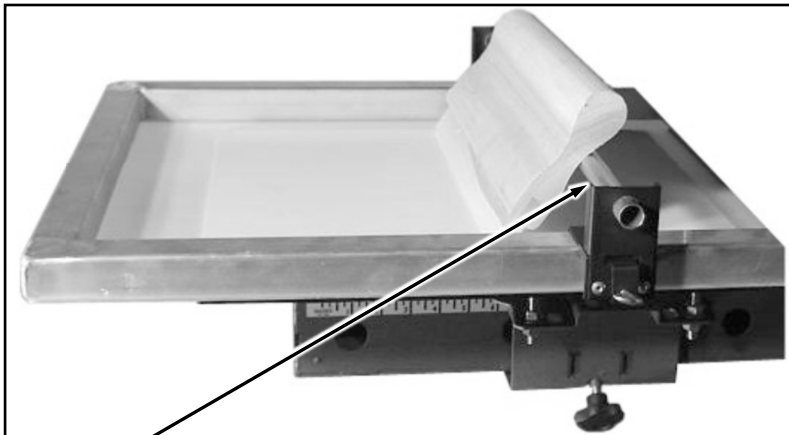




**Stop getting ink all over your screen when doing pocket images!**



Great for any application! Will fit on any screen, round or square framed, with a diameter or width of 2" or less.



Squeegee Rest  
P/N: VN-WT2  
-Includes 2 Clamp Assemblies

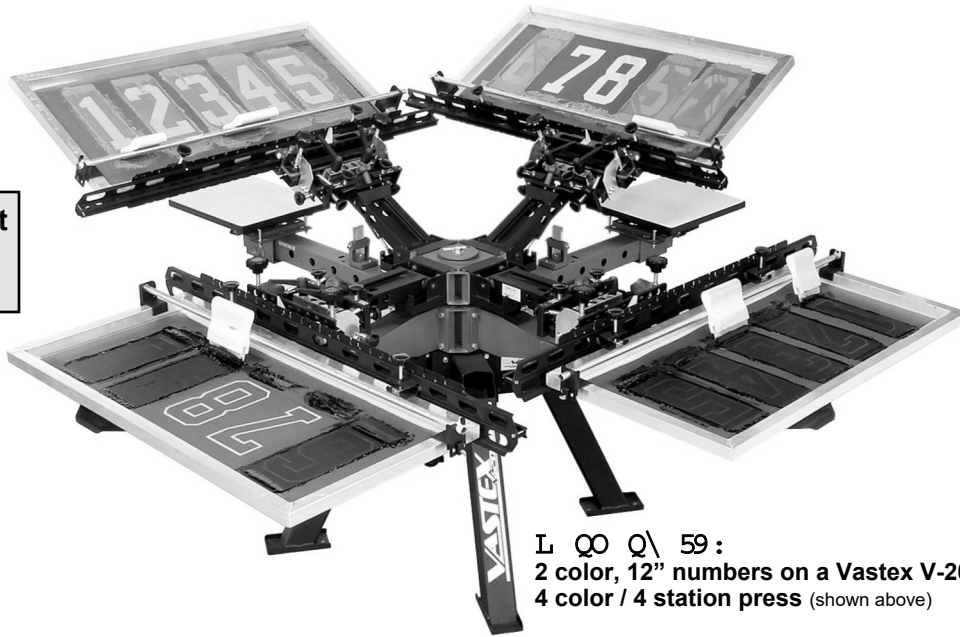
Support tube (customer supplied)  
-5/8" dia. wood dowel or  
1/2" emt conduit  
-Cut 1" longer than width of screen

To use with round tube framed screens, you must attach friction tape to the clamping surfaces.

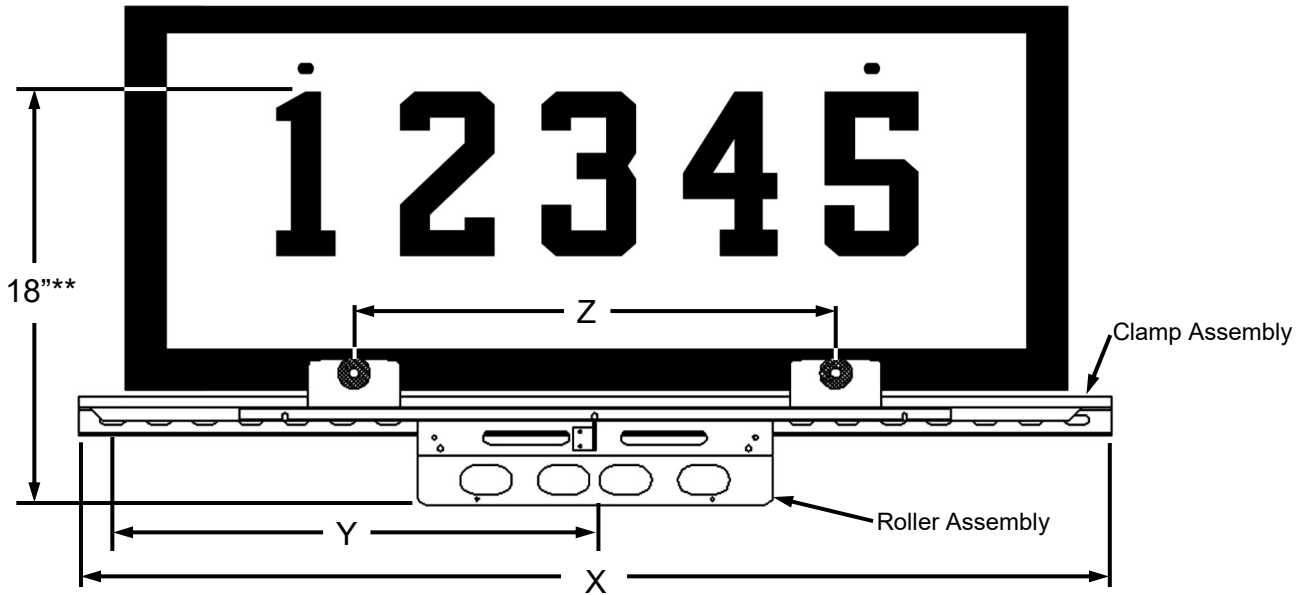
Specifications	Squeegee Rest
Part Number:	VN-WT2
Screen Rail Width:	Will work with up to 2" screen rails, square or round. Will NOT work on Newman Roller M3's
Shipping Weight (one set):	1lb (.45kg)



Works on almost any rear clamp press!!

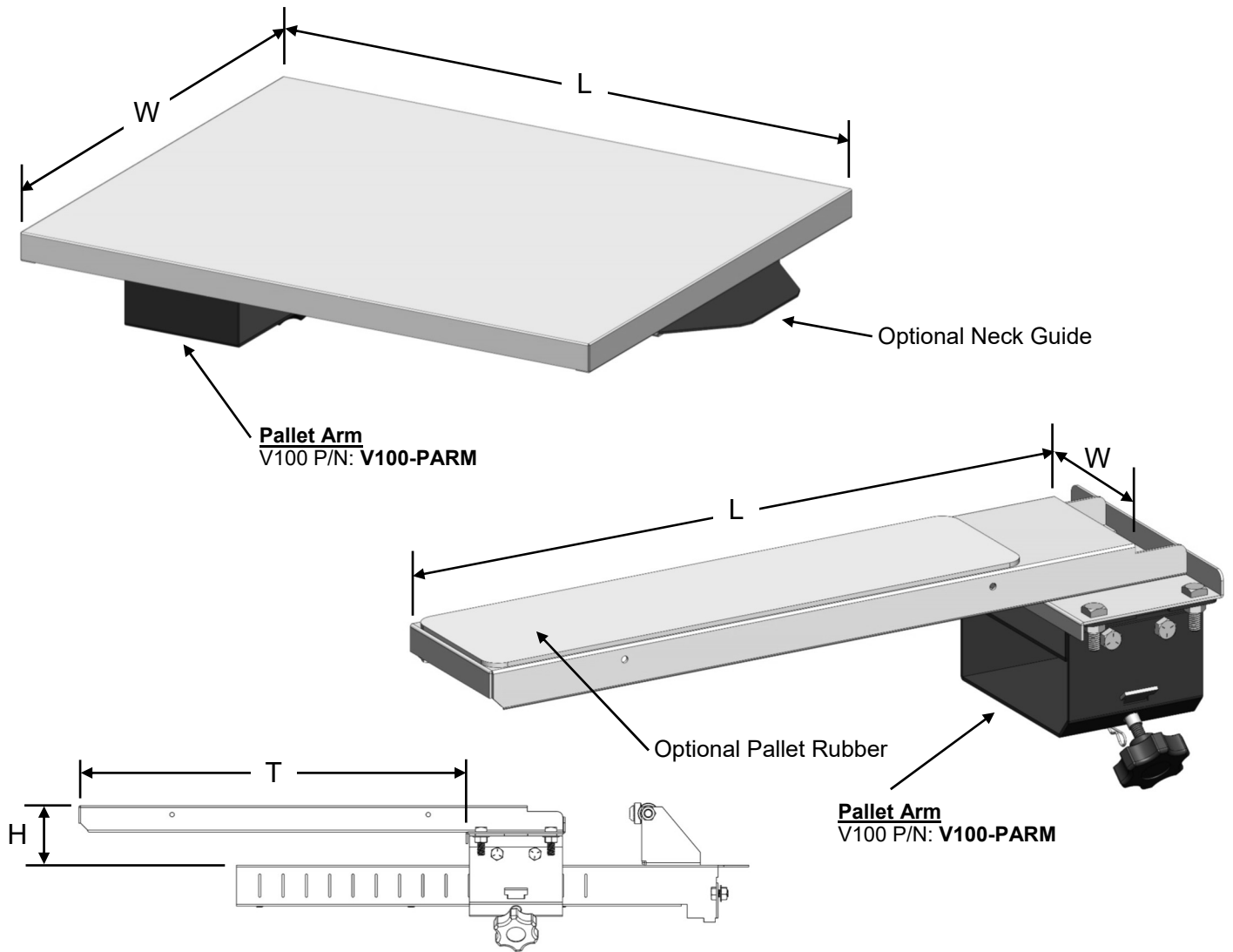


L ∞ Q\ 59:  
2 color, 12" numbers on a Vastex V-2000  
4 color / 4 station press (shown above)



\*\*This dimension of 18" is critical when determining how the DiGiT system will work on your press. From the top edge of the number, to the back of your screen clamps is 18". Your pallet must be able to move to this position. 19" is the recommended minimum for this dimension.

Specifications	DiGiT-8	DiGiT-12
Standard number size capability	4", 6", & 8"	4", 6", 8", 10", 12"
X: Length of Screen Holder	45" (114.3cm)	56" (142.2cm)
Y: Amount of movement from center point	14.5" (36.8cm)	19" (48.3cm)
Z: Distance between screen clamps	21" (53.3cm)	27" (68.6cm)
Weight of each attachment with screen	26 lbs	29 lbs
Shipping Weight and Dimensions	(2x) 48" x 9" x 9" @ 28lbs (122 x 23 x 23cm @ 12.7kg)	(2x) 59" x 9" x 9" @ 33lbs (150 x 23 x 23cm @ 15kg)



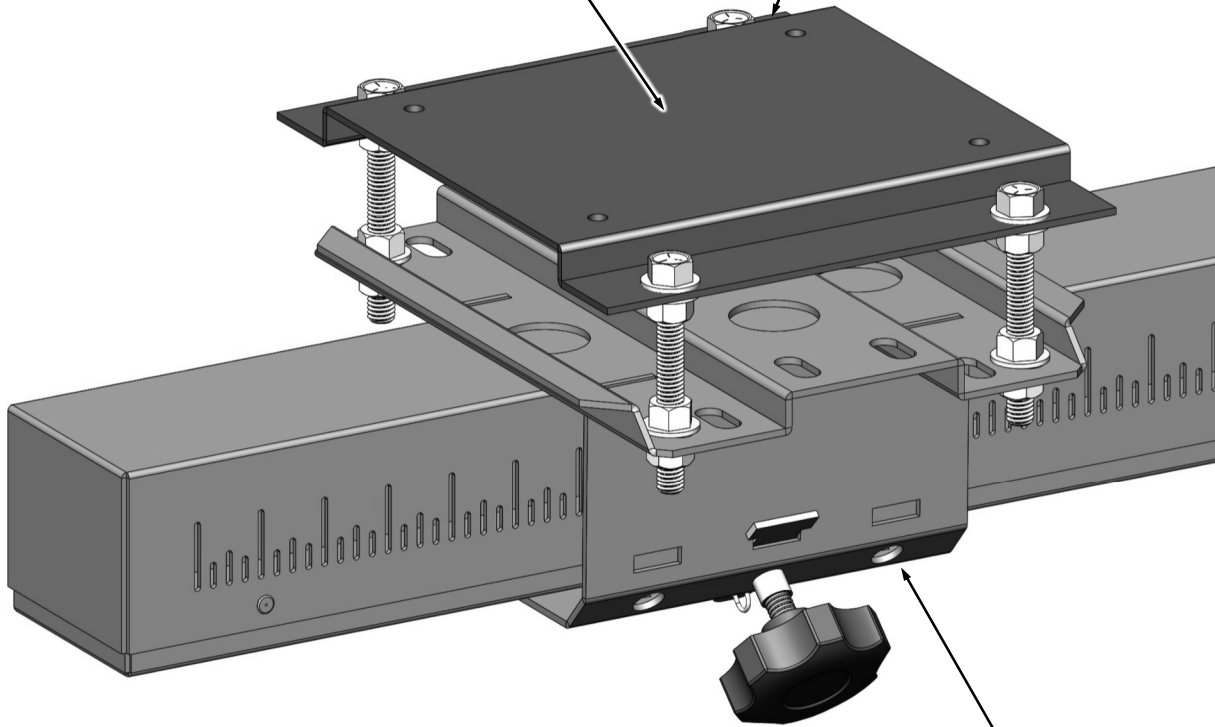
Specifications	Youth Pallet	Standard Pallet	Oversize Pallet	Long Sleeve
Part Number:	<b>V100P-1016</b>	<b>V100P-1416</b>	<b>V100P-1620</b>	<b>V100P-SLS416</b>
Length x Width (L x W):	10" x 16" (25.4 x 40.7cm)	14" x 16" (35.6 x 40.7cm)	16" x 20" (40.7 x 50.8cm)	4" x 19" (10.2 x 48.3cm)
H x T:	N/A	N/A	N/A	1.4" x 16.6" (3.6 x 42.2cm)
Max Image Size:	9.5" x 15.5" (24.1 x 39.4cm)	13.5" x 15.5" (34.3 x 39.4cm)	15.5" x 19.5" (39.4 x 49.5cm)	3.5" x 15.5" (8.9 x 39.4cm)
Neck Guide P/N (Optional):	14-06-009-0	14-06-009-0	14-06-009-0	N/A
Pallet Rubber P/N (Optional):	VPR-1016	VPR-1416	VPR-1620	VPR-416
**Suggested Screen Size:	20" x 24" (51 x 61cm)	20" x 24" (51 x 61cm)	20" x 24" (51 x 61cm)	23" x 31" (58.4 x 78.7cm)
Shipping Weight:	10lb (4.5kg)	10lb (4.5kg)	12lb (5.4kg)	11lb (5kg)

\* To order a pallet **without** a Vastex Pallet Arm, add "-NA" after the pallet's part number. Ex: **V2P-1517-NA**

\*\* Based on utilizing max image area on pallet. Using smaller screens than indicated will limit max image size.

**Mount your custom pallets to this surface!**

**Universal Pallet Mount:** Used to mount custom pallets to any Vastex Press  
p/n: 05-15-037-0



**Standard V-2000 Pallet Arm**  
p/n: V2-ARM

Pallet arms are available separately for V-2000 and V-1000 model printers. Pallet arms can be purchased to enable you to make custom pallets out of any material you desire and in any shape you need.

### **V-2000 has 3 different size Pallet Arms available**

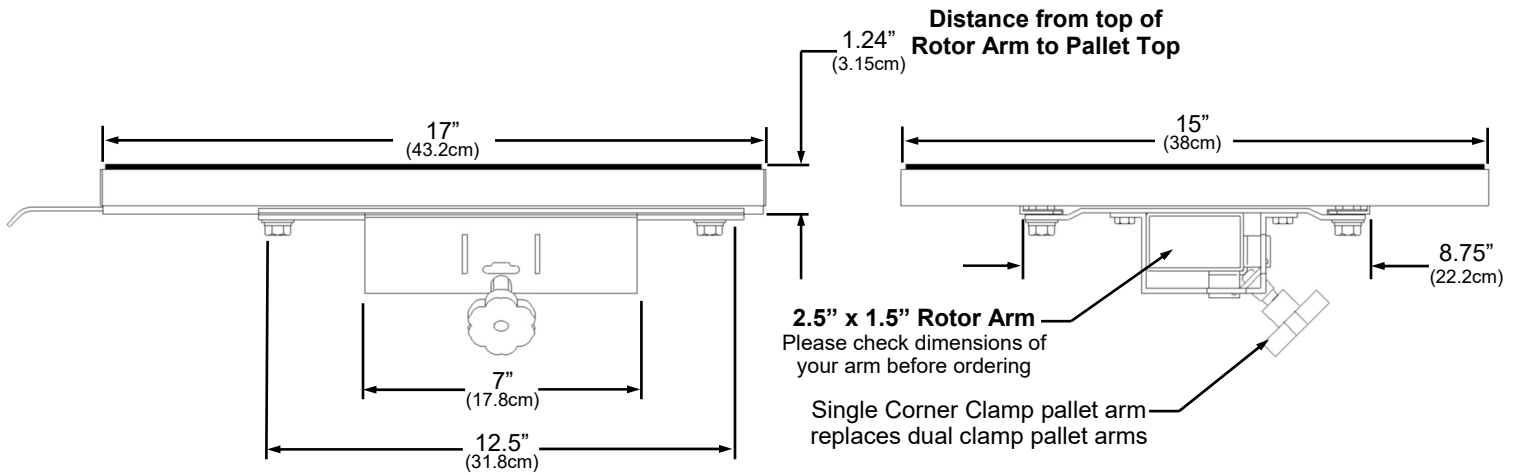
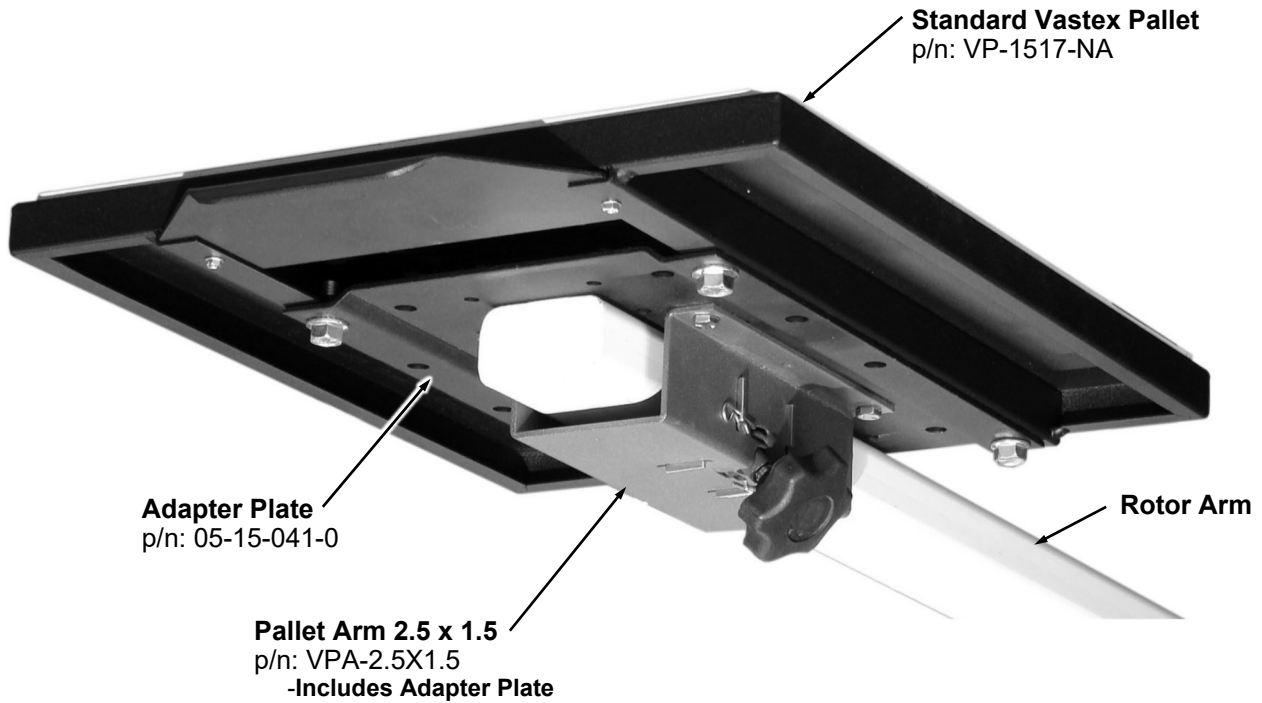
- Mini Pallet arm– For use with small custom pallets up to 9” square.
- Standard Pallet arm (shown above)– For use with pallets up to 24” in length.  
-Optional second knob available for standard pallet arm only
- HD Pallet arm– For use with all over-sized pallets.

### **V-1000 has 2 different size Pallet Arms available**

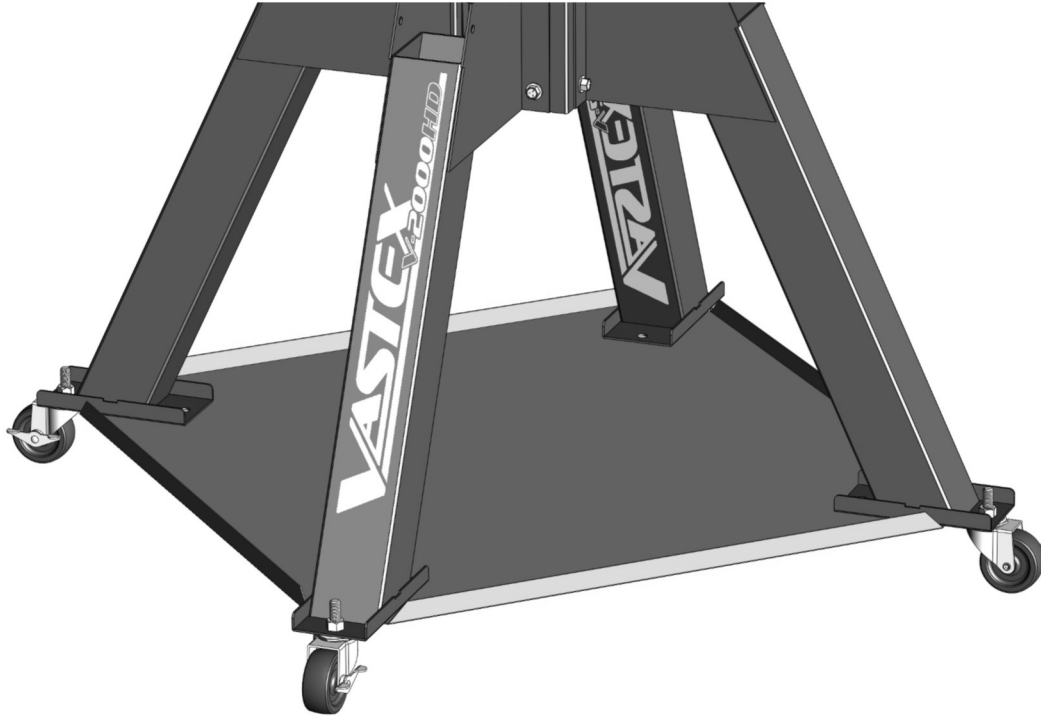
- Mini Pallet arm– For use with small custom pallets up to 9” square.
- Standard Pallet arm– For use with custom pallets up to 24” in length

# Pallet Arm Adapter

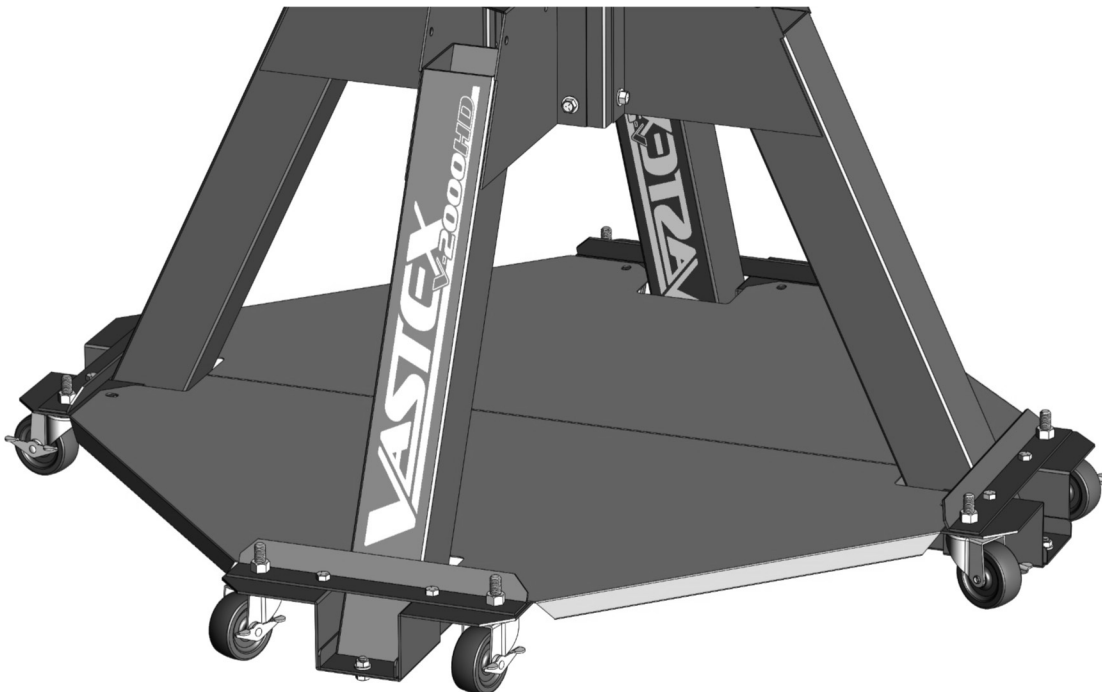
Works with **Hopkins, Workhorse, Printa**, and any other press that uses a Rotor Arm measuring 2.5" x 1.5" (6.35 x 3.81cm).



Use our The Pallet Arm Adapter and replace your stock, multi knob pallet arms, with our single corner clamp Pallet Arm Adapter. You can also use just the Adapter Plate with our pallets and your original stock arm.



**V-2000 Service Pan and Wheels** (shown above) raise machine height 4.25".  
Wheels are available without Service Pan. **P/N: VSP-WS (Pan and Wheels)**



**V-2000 Drop Down Wheels and Service Pan** (shown above) Raises machine height about .5". **P/N: SP-VHD (Pan) WS-VHD (Wheels, sold individually)**



**V-1000 Service Pan and Wheels** (shown above) raise machine height 4.25".  
Wheels are **not** available without Service Pan. **P/N: V1SP-WS**



**Vastex International Headquarters Team Members**

Vastex Sales	sales@vastex.com
Technical Support	techsupport@vastex.com
Doug Grigar (screen printing support)	dgrigar@vastex.com

**Vastex International Inc.  
7 Emery Street  
Bethlehem, PA USA 18015-1982**

**1.800.482.7839 or +1.610.625.2702  
Fax: +1.610.625.2775  
www.vastex.com**