

Epson® SureColor® P700/P900

Start Here

IMPORTANT: Before using this product, make sure you read these instructions and the safety instructions in the online *User's Guide*.

Note: This printer is designed for use with Epson® cartridges only, not third-party cartridges or ink. For important ink information, visit www.epson.com/epsonink (U.S.) or www.epson.ca/epsonink (Canada) or see your printer box.

The illustrations show the SureColor® P700, but the steps are the same for the SureColor P900, unless otherwise specified.

Choose a location for the printer

Choose a location for the printer that is near a wall outlet where the power cord can be easily unplugged. Avoid places subject to rapid changes in temperature and humidity. Also keep the printer away from direct sunlight, strong light, or heat sources.

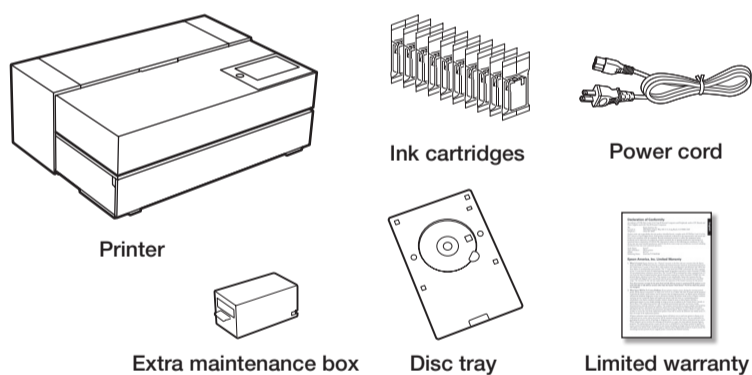
Make sure the product's rubber feet rest completely on a sturdy surface capable of supporting the following weight:

SureColor P700: 30 lb (13.7 kg)

SureColor P900: 35 lb (15.9 kg)

Unpack

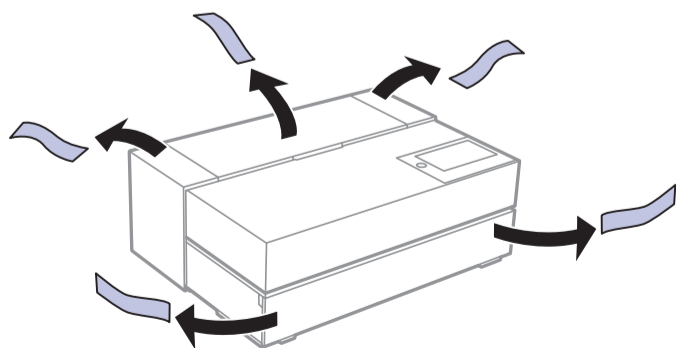
1 Make sure you have these items:



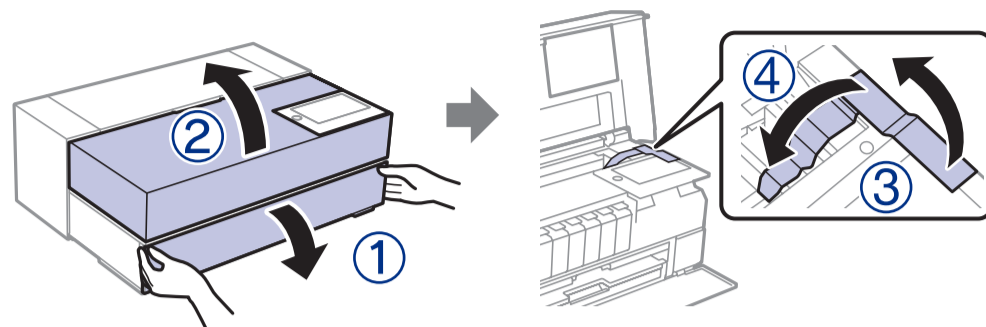
Note:

- See the online *User's Guide* for instructions on using the disc tray.
- Do not open ink cartridge packages until you are ready to install the ink. Cartridges are vacuum packed to maintain reliability.
- Your product includes an extra maintenance box. Use it to replace the installed maintenance box when you are prompted to do so. For instructions on how to replace the maintenance box, see the online *User's Guide*.

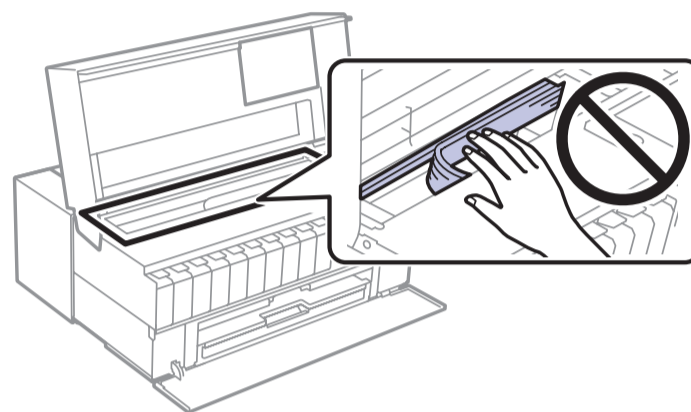
2 Remove all protective materials from the product.



3 Open the front and printer covers, and remove all protective materials from inside the product.

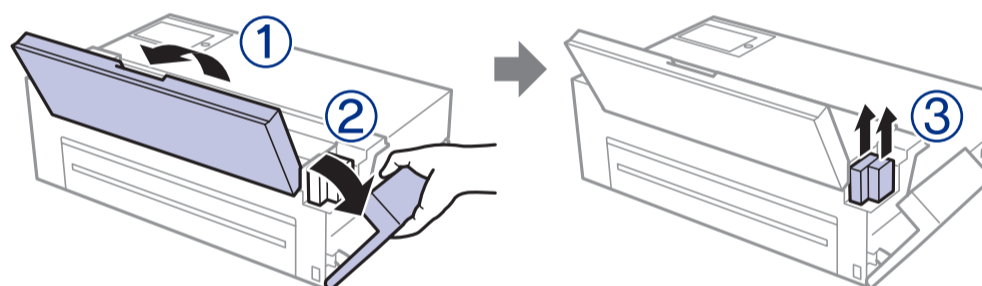


Caution: Do not touch the ink tube.



4 Close the printer and front covers.

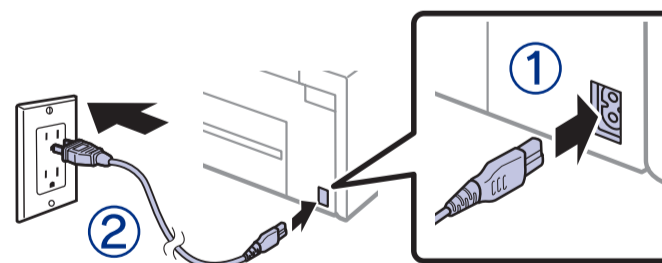
5 Open the rear paper feeder and port cover, and remove all protective materials.



6 Close the port cover and rear paper feeder.

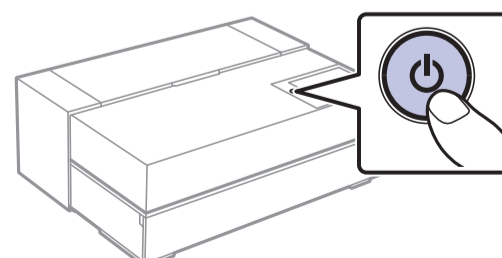
Turn on

1 Connect the power cable.



Caution: Do not connect to your computer yet.

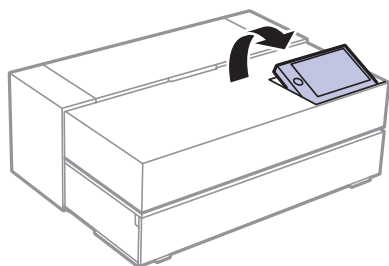
2 Press the  power button.



414072600

EPSON®
EXCEED YOUR VISION

- 3 Raise the control panel if necessary.



- 4 Select your language, date, and time on the LCD screen.

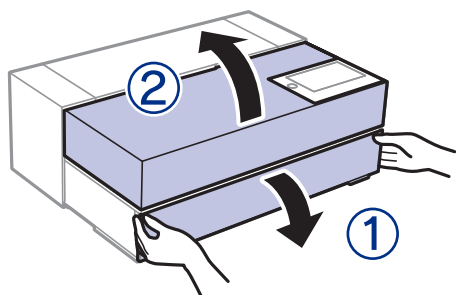
Note: You can change these settings later using the product's control panel. For more information, see the online *User's Guide*.

Install ink cartridges

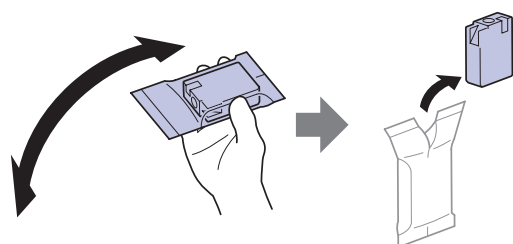
Caution: Keep the ink cartridges out of the reach of children and do not drink the ink.

Note: The included initial cartridges are designed for reliable printer setup and cannot be used as replacement cartridges or resold. The ink supplied with your printer is used during initial setup. In order to produce the highest quality prints, the printer needs to be and will be fully charged with ink. After setup is complete, the ink remaining in the cartridges, and the service life of the maintenance box will be limited. Even if ink levels are low, or the service life of the maintenance box is nearing an end, you can continue to print until the printer displays replacement instructions. However, we recommend being prepared with replacement ink cartridges. An additional maintenance box is included with the printer.

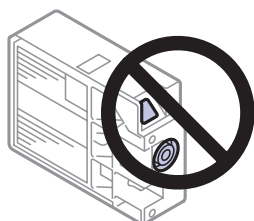
- 1 Open the front and printer covers.



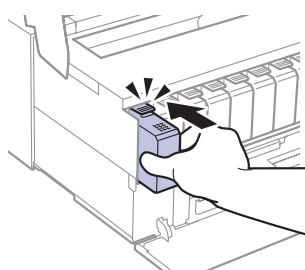
- 2 Shake the ink cartridges gently about 15 times, then unpack them.



Caution: Do not touch the areas shown below. Doing so may prevent normal operation and printing.



- 3 Insert the cartridges in the slot for each color. Push the cartridges in until they click.



- 4 Close the front and printer covers.

- 5 When you see a message to begin ink charging on the LCD screen, select **OK**.

The printer begins charging the ink delivery system. This takes about 15 minutes. When you see a completion message on the LCD screen, charging is complete.

Caution: Don't turn off the printer, load paper, or open any covers while the printer is charging or you'll waste ink.

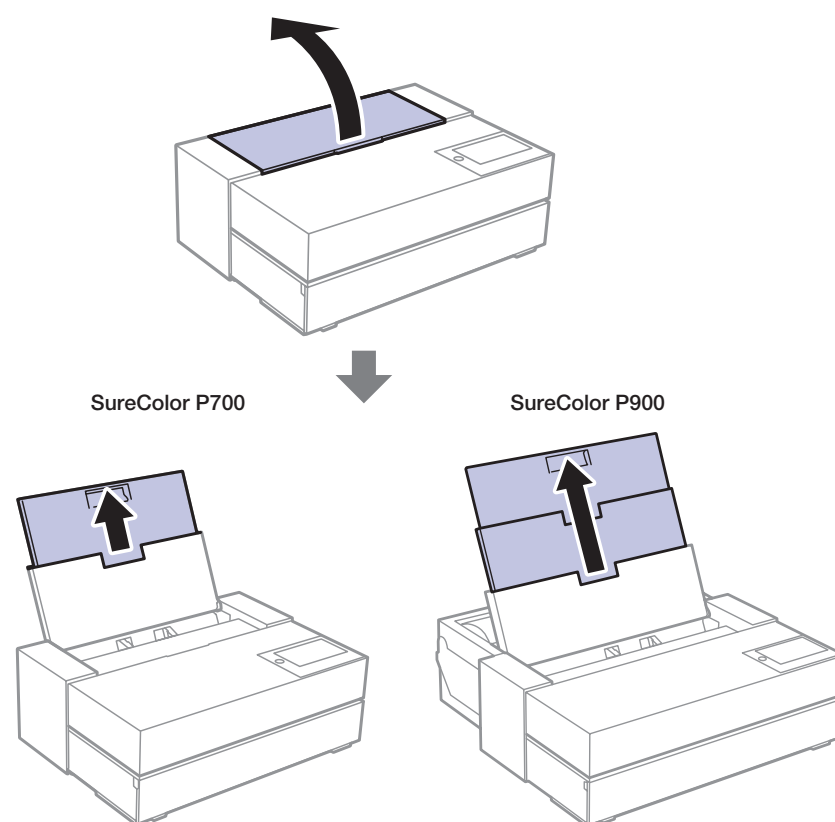
Load paper

See the online *User's Guide* for information about loading capacity, available paper types and sizes, and using the disc tray.

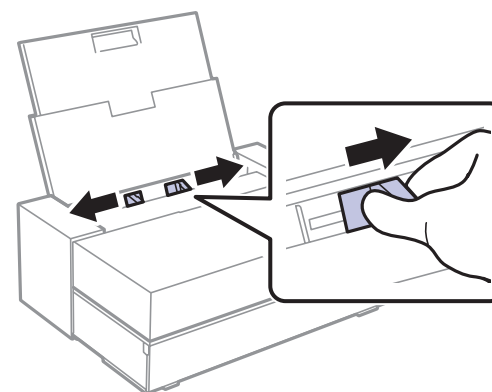
Rear paper feeder

You can load plain paper, and most glossy and matte papers, in the rear paper feeder.

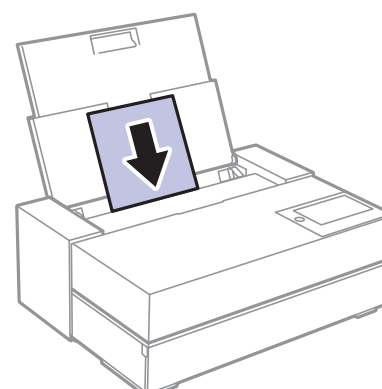
- 1 Open and extend the rear paper feeder.



- 2 Slide the edge guides all the way out.



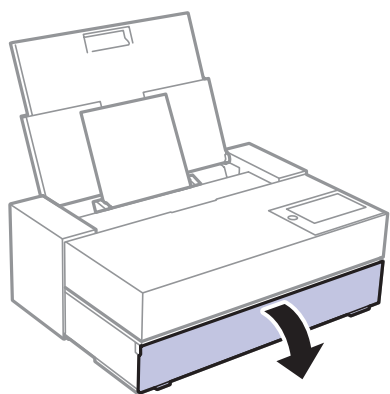
- 3 Insert paper, glossy or printable side up, and short edge first.



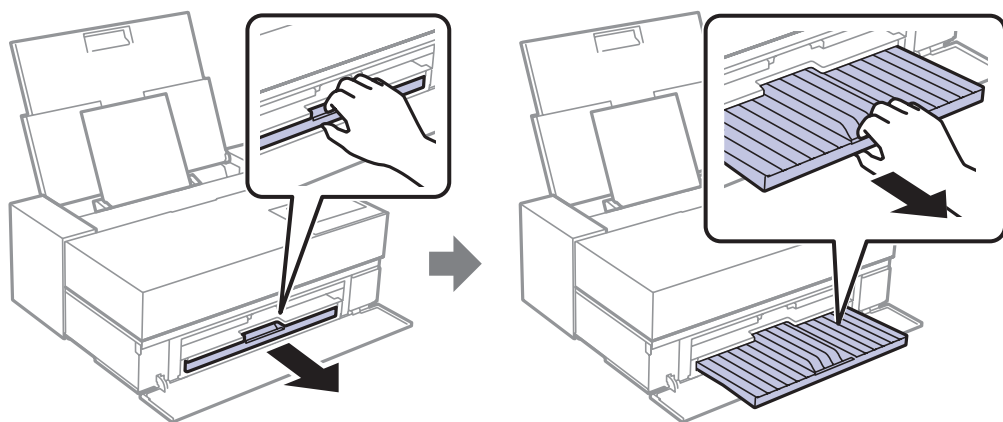
- 4 Slide the edge guides against the paper, but not too tightly.



- 5 Open the front cover.



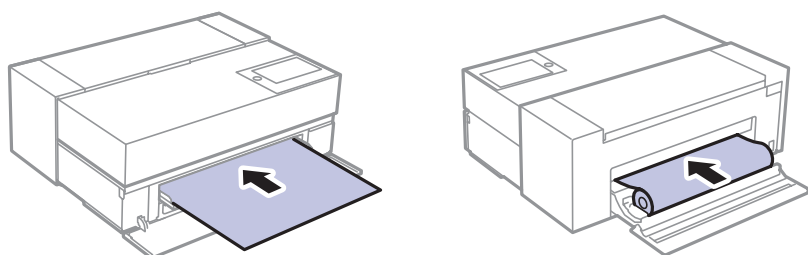
- 6 Pull out the output tray.



- 7 Follow the instructions on the LCD screen to select paper settings.

Front paper feeder or roll media

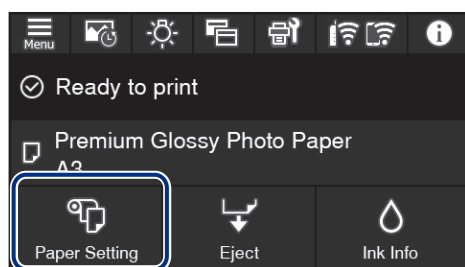
You can load fine art media, poster boards, and other thick media in the front paper feeder, or roll media in the back of the printer (SureColor P700). To load roll media in the SureColor P900, you need to install the optional roll media adapter (part number C12C935221).



Note: When using the front paper feeder, leave the following amount of space behind the printer:

SureColor P700: 13 inches (330 mm)
SureColor P900: 16 inches (405 mm)

- 1 Select **Paper Setting** on the product's control panel.



- 2 Select the media type you want to load.
3 Follow the instructions on the LCD screen to load the paper.

Install software

Note: An Internet connection is required to obtain the product software.

Firmware Update Notice: The printer is designed to work only with genuine Epson-branded cartridges. Other brands of ink cartridges and ink supplies are not compatible and, even if described as compatible, may not function properly or at all. Epson periodically provides firmware updates to address issues of security, performance, minor bug fixes and ensure the printer functions as designed. These updates may affect the functionality of third-party ink. Non-Epson branded or altered Epson cartridges that functioned prior to a firmware update may not continue to function.

- 1 Make sure the product is **NOT CONNECTED** to your computer.

Windows®: If you see a Found New Hardware screen, click **Cancel** and disconnect the USB cable.

- 2 Download and run your product's software package:

SureColor P700

www.epson.com/support/p700 (U.S.)

www.epson.ca/support/p700 (Canada)

SureColor P900

www.epson.com/support/p900 (U.S.)

www.epson.ca/support/p900 (Canada)

- 3 Follow the instructions on the screen to run the setup program.

- 4 When you see the Select Your Connection screen, select one of the following:

- **Wireless connection**

In most cases, the software installer automatically attempts to set up your wireless connection. If setup is unsuccessful, you may need to enter your network name (SSID) and password.

- **Direct USB connection**

Make sure you have a USB 2.0 or 3.0 cable (not included).

Note: If you do not use a USB 2.0 or 3.0 cable, print speed and performance may decline.

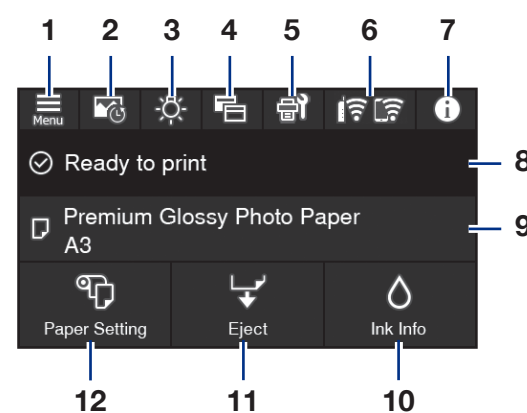
- **Wired network connection**

Make sure you have an Ethernet cable (not included).

Epson Print Layout

Epson Print Layout makes it easy to print photos with a simple print process. Select your application, operating system, and printer driver settings within a single window and preview your changes in real time before you print. This free software is available for download from your product's support page as an Adobe® Photoshop® plug-in or as a standalone application. For more information, see www.epson.com/epsonprintlayout (U.S.) or www.epson.ca/epsonprintlayout (Canada).

Using the LCD screen



- 1 Accesses printer settings
- 2 Displays your print history
- 3 Turns on or off the printer's interior light
- 4 Switches the screen view to display additional information

| | |
|----|---|
| 5 | Displays maintenance settings |
| 6 | Displays the network connection status |
| 7 | Displays notifications |
| 8 | Displays the printer's status |
| 9 | Displays the paper settings |
| 10 | Displays ink and maintenance box levels |
| 11 | Ejects loaded paper |
| 12 | Selects paper size and type settings |

Any problems?

Network setup was unsuccessful.

- Print a network connection report to identify network problems and solutions. See your online *User's Guide* for instructions.
- Make sure you select the right network name (SSID).
- Restart your router (turn it off and then on), then try to connect to it again.
- If you see a firewall alert message, click **Unblock** or **Allow** to let setup continue.
- If your network has security enabled, make sure you enter your network password (WEP key or WPA passphrase) correctly. Be sure to enter your password in the correct case.

Any questions?

User's Guide

Windows: Click the icon on your desktop or Apps screen to access the online *User's Guide*.

Mac: Click the icon in Applications/Epson Software/Guide to access the online *User's Guide*.

If you don't have a User's Guide icon, go to the Epson website, as described below.

Videos

Visit www.epson.com/support (U.S.) or www.epson.ca/support (Canada) and search for your product to view support videos.

Support

Visit www.epson.com/support (U.S.) or www.epson.ca/support (Canada) and search for your product to download software and utilities, view manuals, get FAQs and troubleshooting advice, or contact Epson.

Call (562) 276-7272 (U.S.) or (905) 709-2567 (Canada), 6 AM to 8 PM, Pacific Time, Monday through Friday, and 7 AM to 4 PM, Pacific Time, Saturday. Days and hours of support are subject to change without notice. Toll or long distance charges may apply.

Recycling

Epson offers a recycling program for end-of-life hardware and ink cartridges. Please go to www.epson.com/recycle (U.S.) or www.epson.ca/recycle (Canada) for information on how to return your products for proper disposal.

Need paper and ink?

Ensure brilliant results with Epson specialty and plain papers, engineered specifically for Epson printers. Find Epson papers and Epson Genuine Ink at www.epson.com (U.S. sales) or www.epson.ca (Canadian sales) and at Epson authorized resellers. Call 800-GO-EPSON (800-463-7766).

Genuine Epson paper

Epson offers a variety of specialized papers to meet your needs. For more information on Signature Worthy® and Legacy Papers, visit www.epson.com/professional-imaging-media (U.S.) or www.epson.ca/professional-imaging-media (Canada).

Signature Worthy Papers

Representing the finest in color fidelity, smoothest tonal transitions, and exceptional black density and longevity, Signature Worthy Papers are developed and tested at the highest levels to work collectively with Epson's industry-leading professional printers and inks.



Legacy Papers

Designed for artists who intend to sell their prints. Legacy Papers marry the artistry of revered European papermaking with the latest advancements in inkjet coating technology.



Epson SureColor P700/P900 replacement ink cartridges

| Color | SureColor P700 (25 ml) | SureColor P900 (50 ml) |
|---------------------|------------------------|------------------------|
| Photo Black | T7701 | T46Y1 |
| Cyan | T7702 | T46Y2 |
| Vivid Magenta | T7703 | T46Y3 |
| Yellow | T7704 | T46Y4 |
| Light Cyan | T7705 | T46Y5 |
| Vivid Light Magenta | T7706 | T46Y6 |
| Gray | T7707 | T46Y7 |
| Matte Black | T7708 | T46Y8 |
| Light Gray | T7709 | T46Y9 |
| Violet | T7700 | T46YD |



EPSON, Signature Worthy, and SureColor are registered trademarks and EPSON Exceed Your Vision is a registered logomark of Seiko Epson Corporation.

Windows is a registered trademark of Microsoft Corporation in the United States and/or other countries.

Mac is a trademark of Apple Inc., registered in the U.S. and other countries.

General Notice: Other product names used herein are for identification purposes only and may be trademarks of their respective owners. Epson disclaims any and all rights in those marks.

This information is subject to change without notice.

© 2020 Epson America, Inc., 9/20

CPD-58608R1