

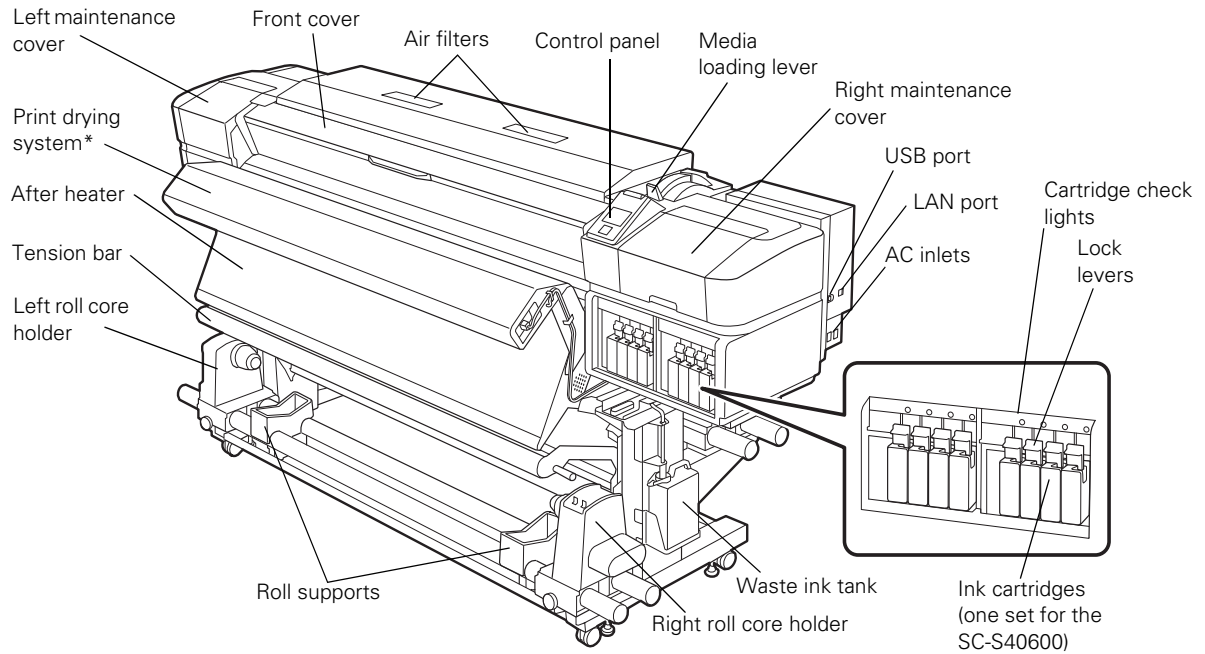
Contents

Printer parts	2
Front	2
Inside	3
Back	3
Loading media	4
Supported papers	14
Print start position	15
Using the auto take-up reel unit	16
Selecting media settings	22
Removing the take-up roll	22
Printing the amount of media remaining	22
Cutting media	23
Removing media	25
Maintaining the printer	27
Precautions	27
When to perform maintenance	28
Cleaning platen heater and media edge plates	28
Print head maintenance	29
Checking ink status	31
Ink cartridge part numbers	31
Shaking ink cartridges	32
Replacing ink cartridges	32
Disposing of waste ink	34
Disposing of used consumables	36
Ordering supplies and optional accessories	36
Where to get help	37

Printer parts

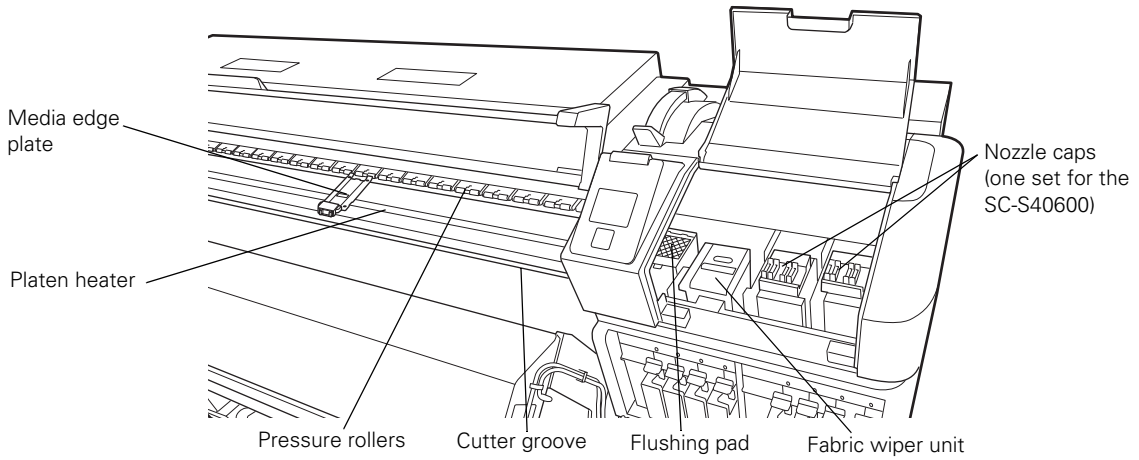
Note: Unless otherwise indicated, the illustrations in this manual show the SureColor® S40600, but the instructions apply to all models.

Front

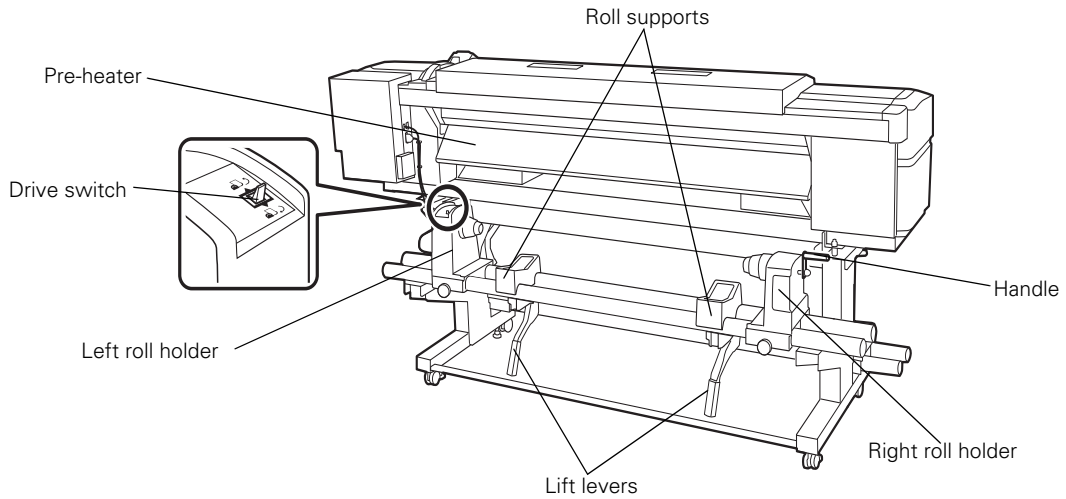


* Included with the SC-S60600 and optional for the SC-S40600/SC-S80600.

Inside




Back

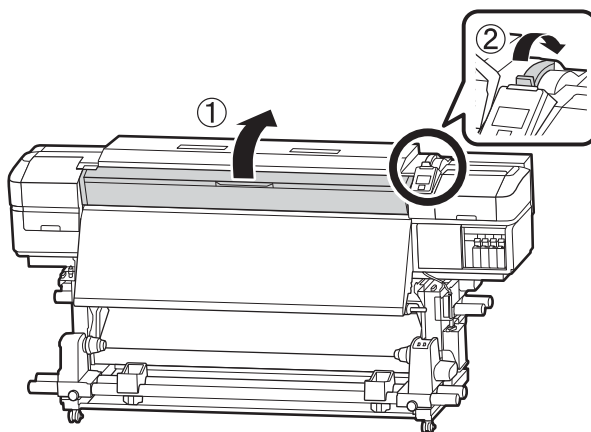


Loading media

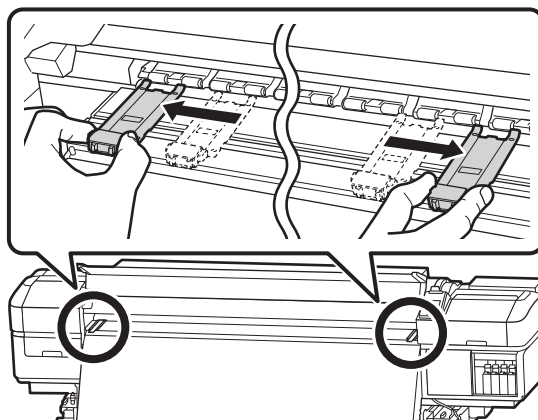
Follow the steps in this section to load media.

WARNING: The heaters and media holding plates may be hot; be careful to avoid burns. Heavy media rolls may require two people for loading and removing.

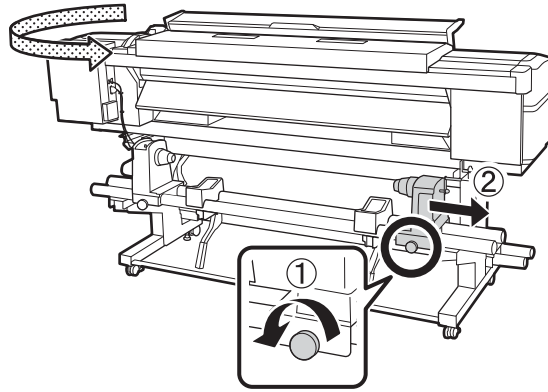
1. Press the  power button to turn on the printer, if necessary, and wait until you see **Load media** displayed on the LCD screen.
2. Open the front cover and raise the media loading lever.



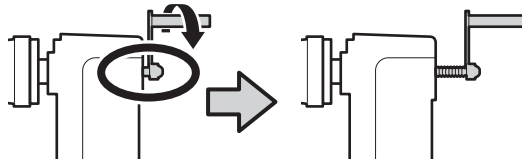
3. Grasp the tabs on both media edge plates and slide the plates outward.



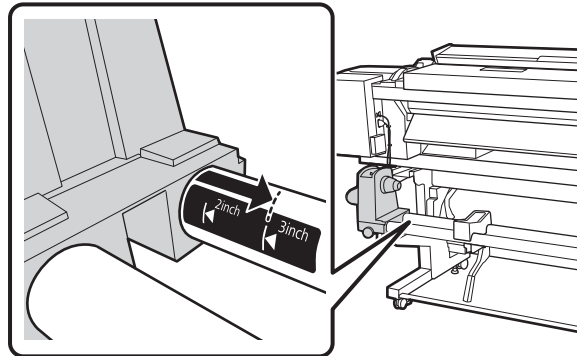
4. At the back of the printer, loosen the knob for the right roll holder and slide the roll holder outward.



5. Rotate the handle on the roll holder counterclockwise until it stops.

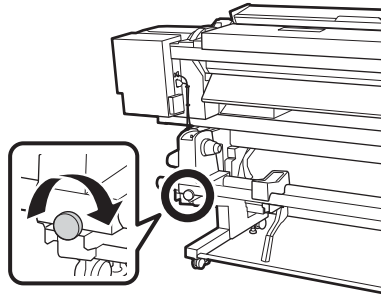


6. Slide the left roll holder to the media core size being loaded.



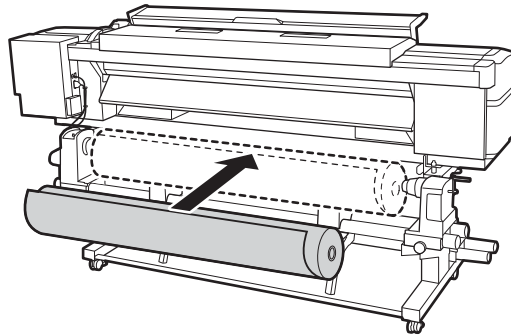
6 | Loading media

7. Fully tighten the knob on the left roll holder.



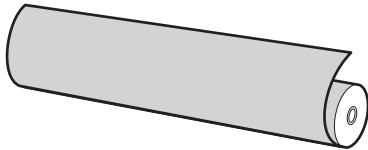
Note: Make sure to tighten the knob completely; otherwise, the roll holder may move during printing and cause the media to feed incorrectly.

8. Place the media you want to load on the roll supports.

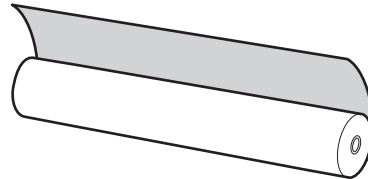


Note: Load the roll based on the printable side.

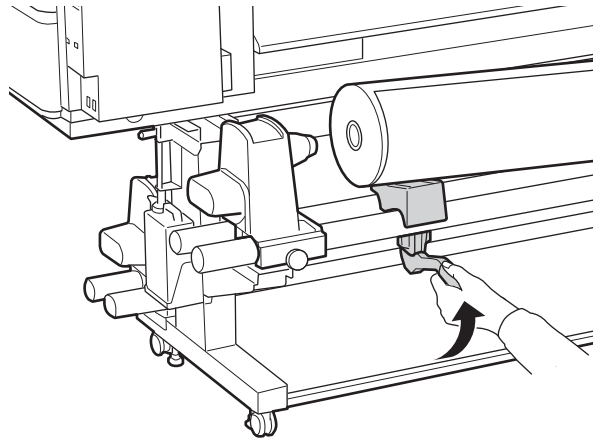
Printable side out



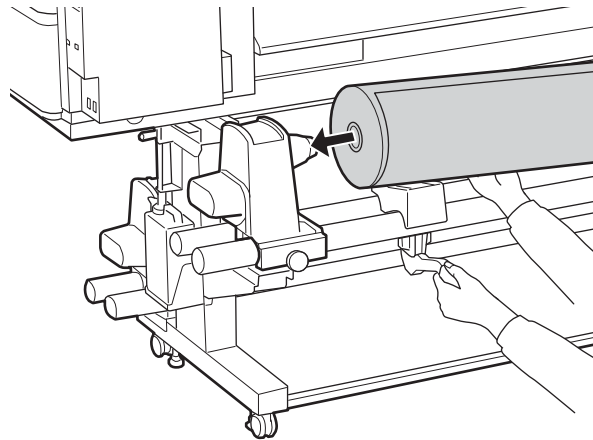
Printable side in



9. Raise the left lift lever to position the roll for insertion.

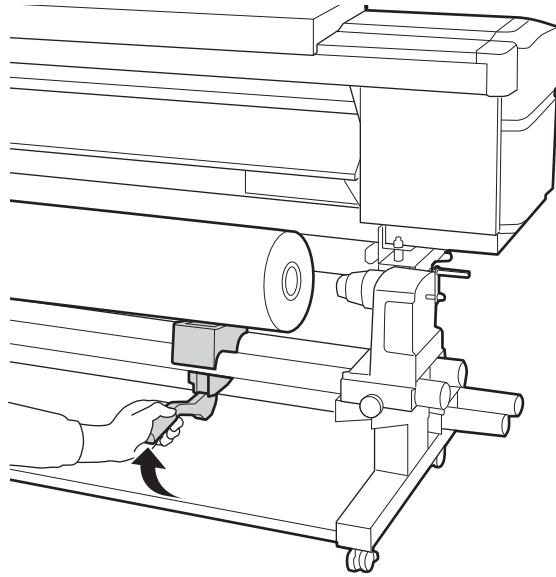


10. Firmly insert the roll media into the left roll holder.

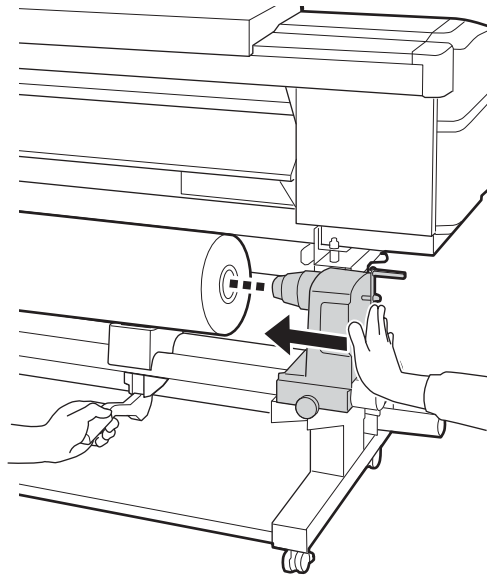


Note: If the outer diameter of the roll media is less than 5.5 inches (140 mm), you need to manually lift the roll media to insert it into the roll holder.

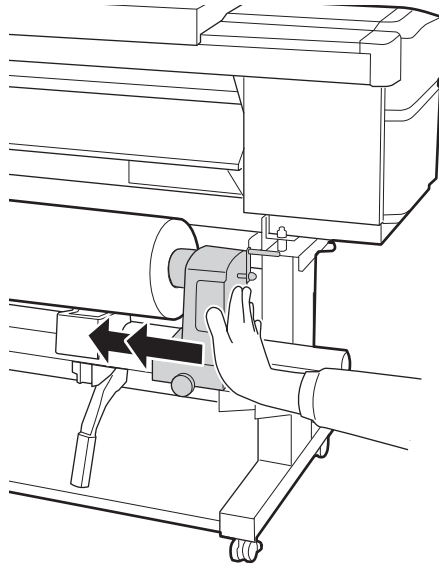
11. Raise the right lift lever.



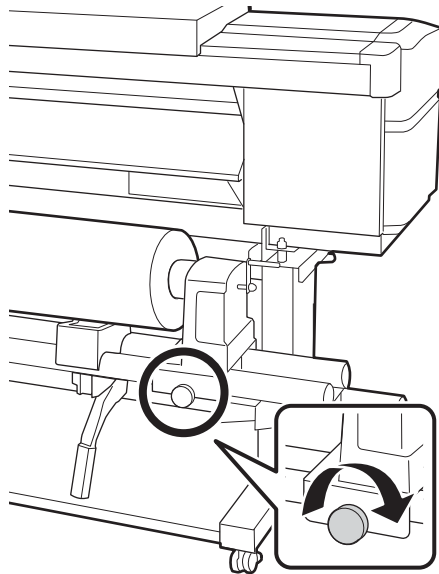
12. Push the right roll holder into the roll media.



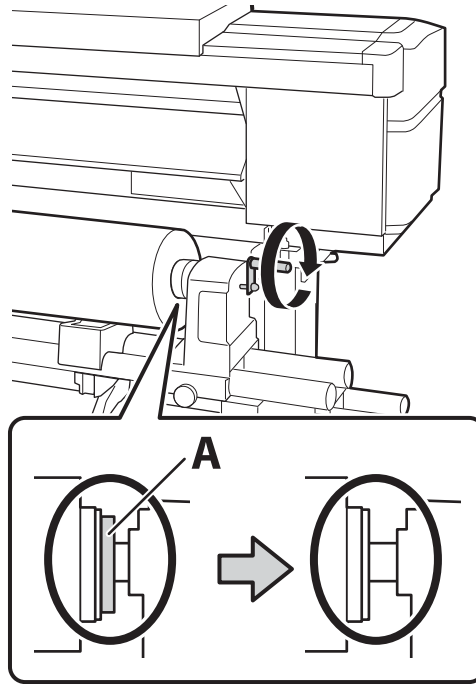
Note: Make sure the roll holder is inserted into the roll core all the way by pushing in the roll holder twice. Otherwise, media may not feed correctly and cause banding in your printouts.



13. Fully tighten the knob on the roll holder.

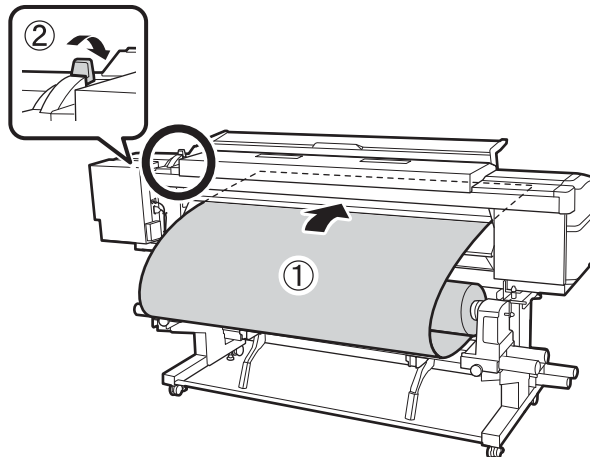


14. Rotate the handle until part A (shaded area) in the illustration below is fully inserted into the roll core.

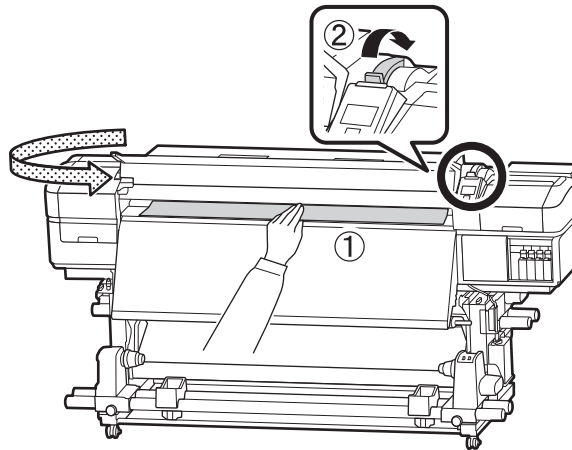


Caution: To avoid damaging the roll holder, do not continue turning the handle after part A is fully inserted.

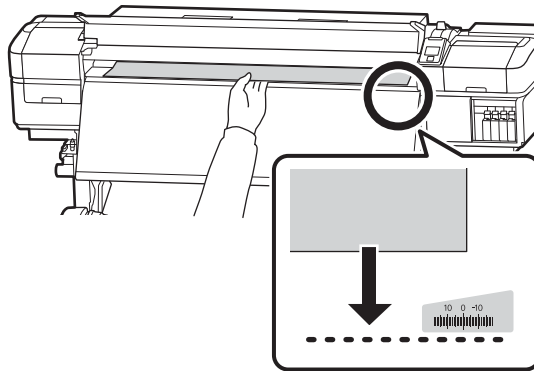
15. Insert your media approximately 12 inches (30 cm) into the opening, then lower the media loading lever.



16. Move to the front of the printer, grasp the media as shown, and raise the media loading lever.

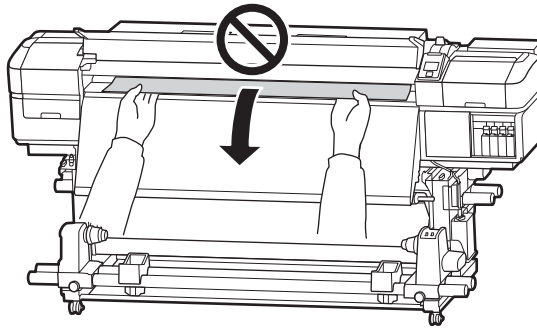


17. Use one hand to pull the center of the media straight out until it is aligned with the bottom edge of the label on the after heater.

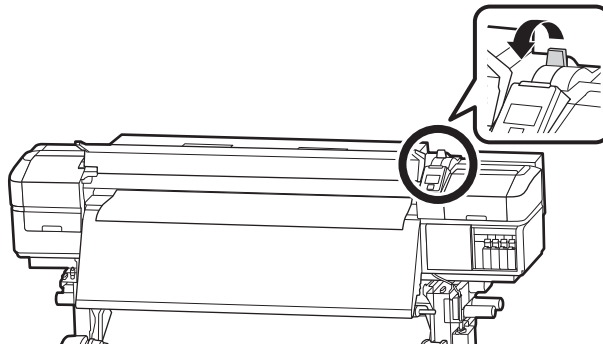


12 | Loading media

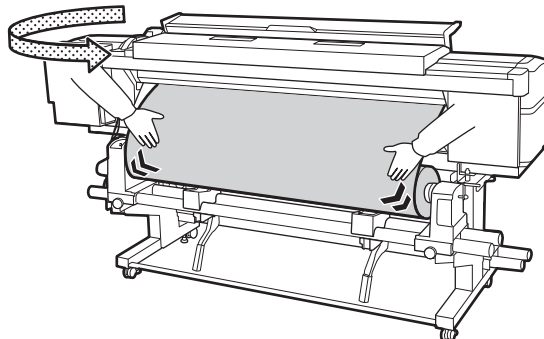
Note: Do not use two hands to pull the media as this can cause the media to be skewed.



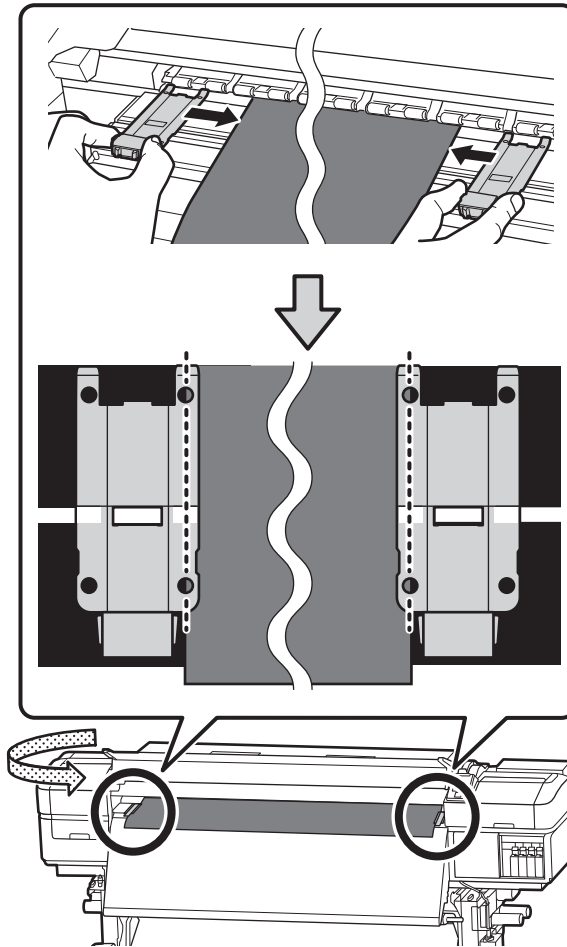
18. Lower the media loading lever to hold the media in place.



19. Lightly tap both ends of the media and check if there is a difference in tension between the left and right sides. If there is a difference in tension, raise the media loading lever, adjust the looseness of the media, and then lower the media loading lever.

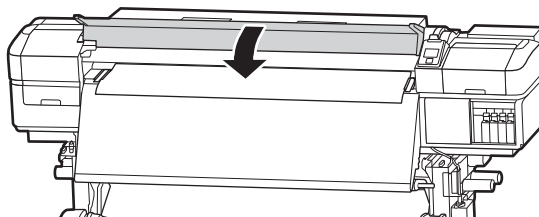


20. Slide the media edge plates against the media. Adjust the position so that the edges of the media are aligned with the center of the round holes in the plates.



Caution: To avoid damaging the print head, do not use the media edge plates with media that is more than 0.02 inch (0.4 mm) thick. Move the media holding plates to the edges of the platen when they are not in use.

21. Close the front cover.



Note: To remove your media, follow the steps in this section in reverse order.

Supported papers

One of the key elements for achieving professional quality prints is selecting paper that is specifically optimized for your printer. Epson offers a variety of canvas, fine art, photo and proofing papers, as well as other media, for your printer. Most Epson professional media are available in sizes from small cut sheets to wide-format rolls. Check the Epson Pro Imaging website at www.proimaging.epson.com or your Epson Professional Imaging Authorized Reseller for available media.

The following papers are supported:

Roll paper

Roll core size	2 or 3 inches (50.8 to 76.2 mm)
Roll outer diameter	Media feeding unit: Up to 9.8 inches (250 mm) Auto take-up reel unit: Up to 7.9 inches (200 mm)
Media width	11.8 to 64.0 inches (300 to 1,626 mm)
Media thickness	Up to 1 mm
Roll weight	Up to 99 lb (45 kg)

Cut paper

Media width	11.8 to 64.0 inches (300 to 1,626 mm)
Media length	19.7 inches (500 mm) or longer
Media thickness	Up to 1 mm

Always test samples of media in the printer before purchasing large quantities or printing large jobs. If you use non-Epson paper or other media, you may need to adjust various settings and create special paper configurations. See the online *User's Guide* for details.

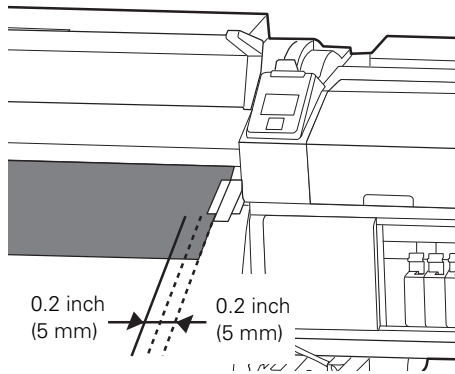
Print start position

You can adjust the starting position of the print area in your printouts.

Right print start position

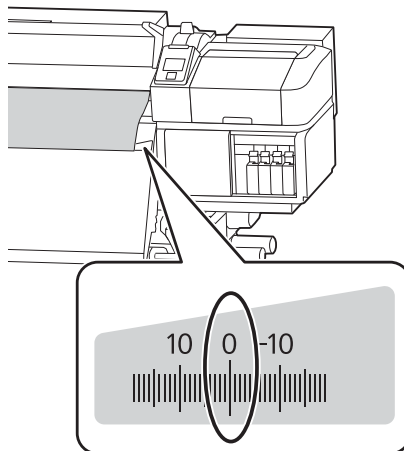
The right print start position is dependent upon the **Media Size Check** setting.

If **Media Size Check** is turned on, the print start position is approximately 0.4 inch (10 mm) from the right edge of the media when using the media edge plates, and 0.2 inch (5 mm) when not using the media edge plates.



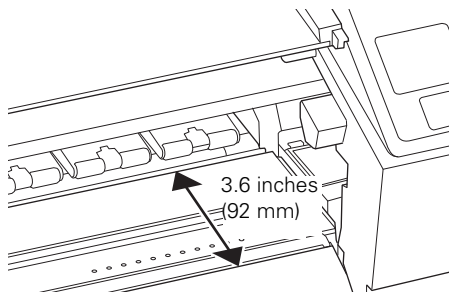
Note: You can adjust the print start position by changing the **Print Start Position** or **Side Margin (Right)** settings from the setup menu.

If **Media Size Check** is turned off, the print start position is indicated on the after heater.



Top print start position

The top print start position is approximately 3.6 inches (92 mm) inside the printer from the cutter groove.

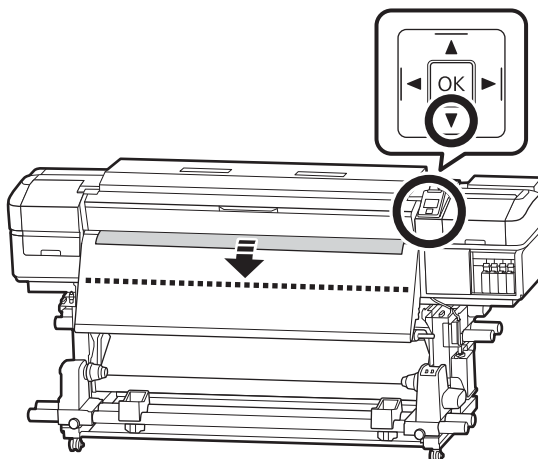


Using the auto take-up reel unit

The auto take-up reel unit automatically takes up media as it is printed, improving the efficiency of unmanned operation. The auto take-up reel unit can take up media with the printed surface on either the outside or inside of the roll.

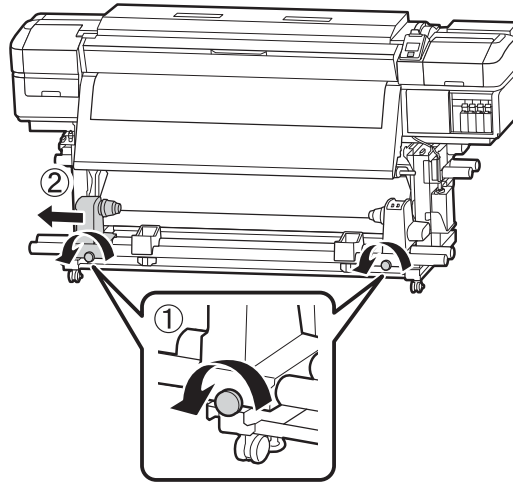
Caution: Be careful not to get your hands caught in the media feeding unit or the auto take-up reel unit while the printer is operating.

1. Press the ▼ button to feed the media down to the center of the after heater.

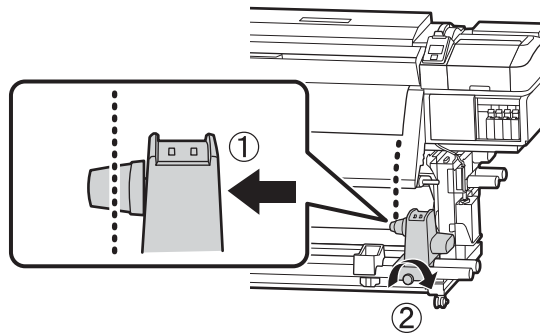


Note: Always use the ▼ button to feed media. If you pull the media with your hand, it may twist during take-up.

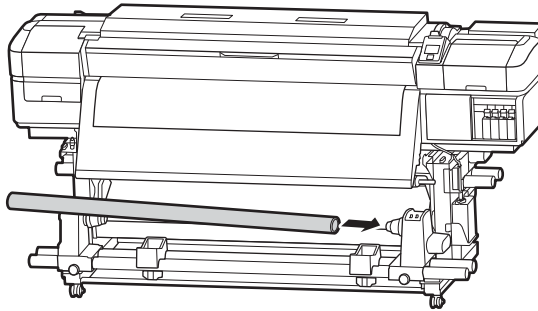
2. Loosen the core holder knobs and slide the core holders apart. Center the roll supports between the roll holders.



3. Align the right roll core holder with the right edge of the media and tighten the knob.

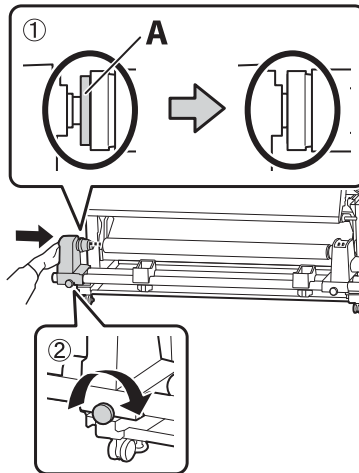


4. Insert the roll core into the right holder.



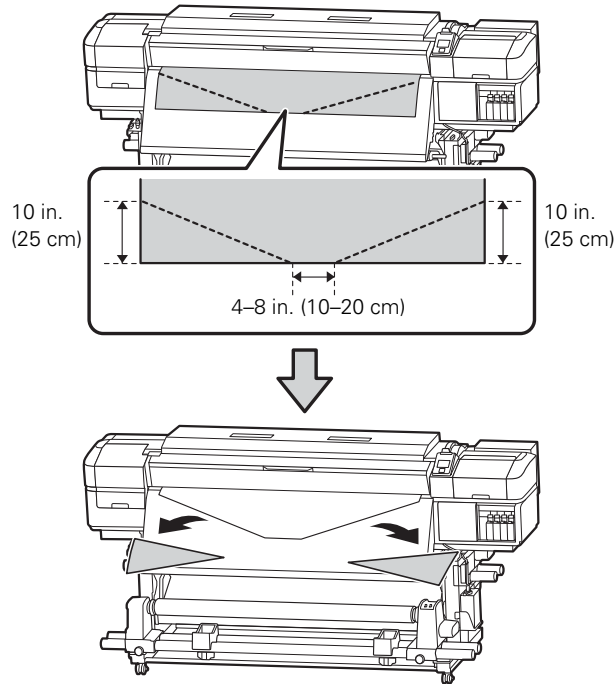
Note: Use a roll core that is wider than the width of the media. This allows the media to be taken up without protruding from the core.

5. Push the holder until part A (shaded area) in the illustration below is fully inserted into the roll core, then tighten the knob.

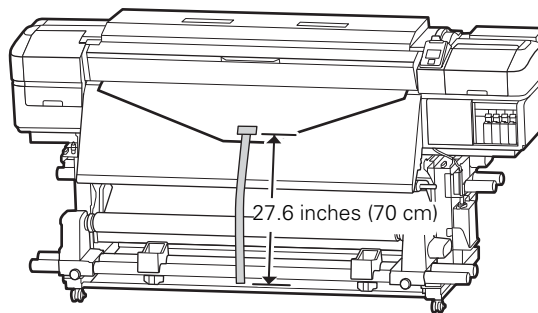


Caution: Stop when part A is no longer visible. Do not push the holder too far in.

6. Trim the left and right corners of the media, leaving a straight section at the center about 4 to 8 inches (10 to 20 cm) wide.

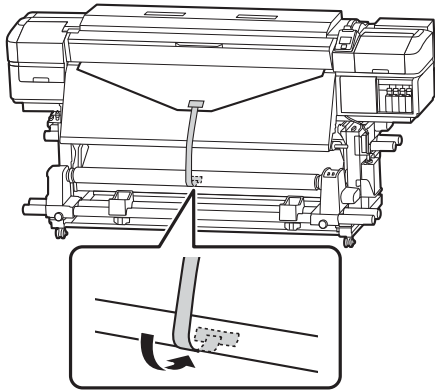


7. Cut a strip about 27.6 inches (70 cm) in length from the included paper tape and attach one end to the center of the media using adhesive tape.

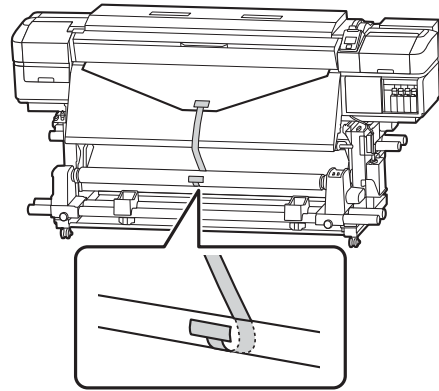
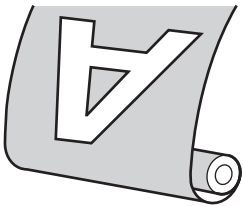


Note: You can also use commercially available tape or strips cut from media to attach your media to the roll core. The paper tape or cut media strip should be about 0.8 to 1 inch (20 to 25 mm) wide and 27.6 inches (70 cm) long.

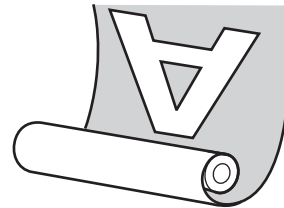
8. Pull the other end of the tape straight down and attach it to the roll core using adhesive tape as shown.



To take-in with the printable side facing out

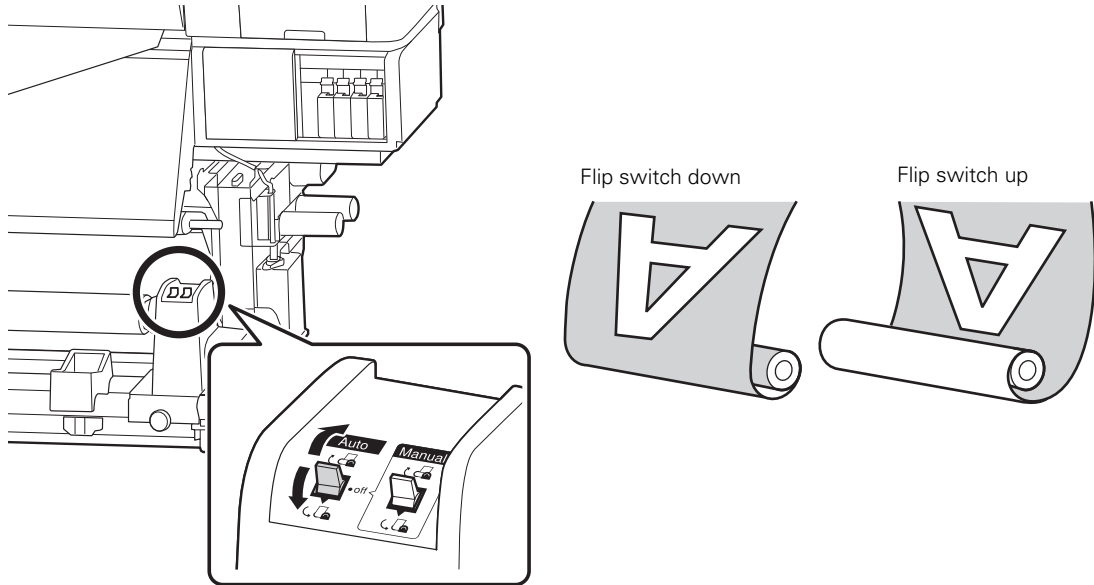


To take-in with the printable side facing in

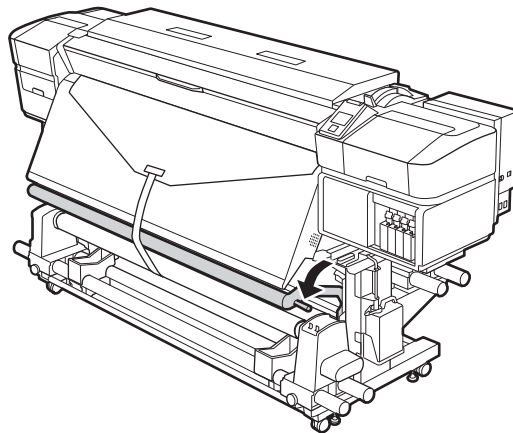


Note: Make sure the tape is taut; otherwise the media may move during take-up.

9. If you are taking-up with the printable side facing outside, flip the Auto switch down. If you are taking-up with the printable side facing inside, flip the Auto switch up.

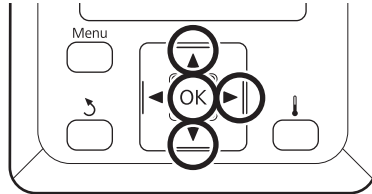


10. Lower the tension bar until it lightly touches the paper tape.



Selecting media settings

After you have finished loading your media, follow the instructions on the control panel to select your media settings. Use the following buttons to make your selections.



When you are finished selecting your settings, you see the **Ready** message displayed on the LCD screen.


Removing the take-up roll

See these sections to cut and remove your media.

Printing the amount of media remaining


Use **Print Remaining Length** to print the amount of media remaining on the current roll before replacing it with another type of media. You can then enter this number as the media length the next time the roll is used.

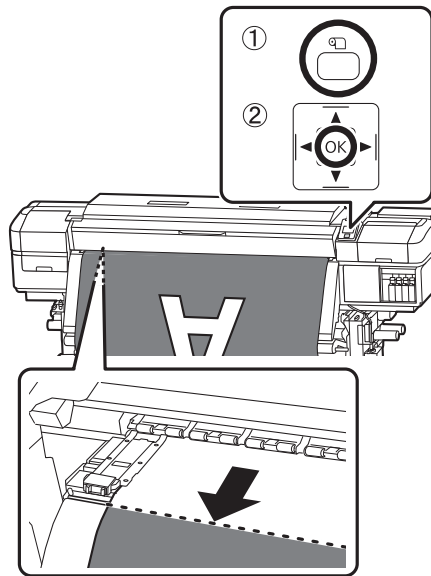
Note: Remaining Setup must be turned on to use this feature.


1. Make sure **Ready** is displayed on the LCD screen.
2. Press the  button.
3. Select **Media Remaining** and press the **OK** button.
4. Select **Print Remaining Length** and press the **OK** button.
5. Press the **OK** button to print the amount of media remaining.

Cutting media

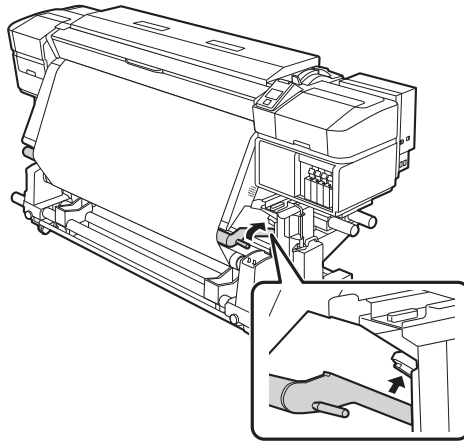
WARNING: The heaters and media holding plates may be hot; be careful to avoid burns. When cutting media, be careful not to cut your fingers or hands with the cutter or other blades.

1. Press the  button.
2. Select **Feed To Cut Position** and press the **OK** button. The printer feeds the media to the cutting position (cutter groove).

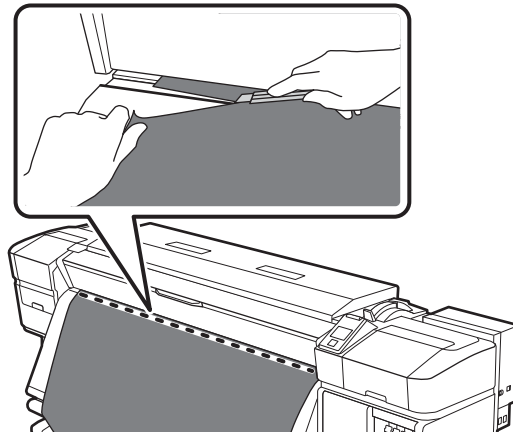


Note: If you have printed the amount of media remaining, press the  button to rewind the media so this information remains on the roll after the media is cut.

3. If you are using the auto take-up reel, raise the tension bar.

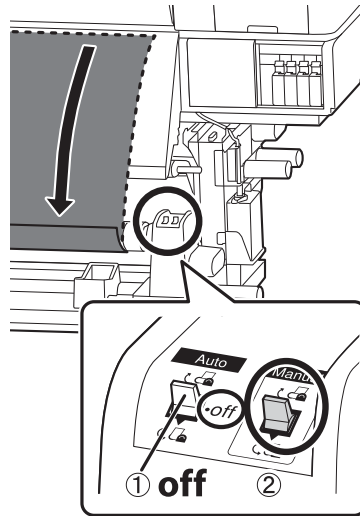


4. Using a razor blade or other cutting tool, cut off your print along the cutter groove.



WARNING: Do not place your fingers in the path of the cutting tool to avoid injuring yourself.

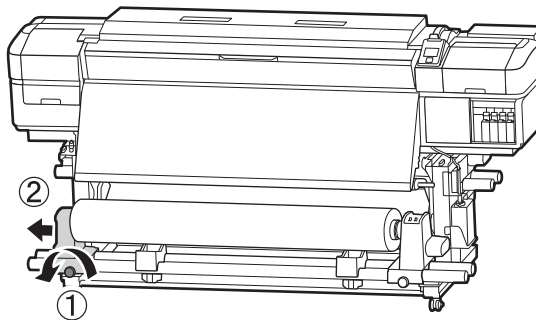
5. Set the Auto switch to off. Then take up the cut media completely using the Manual switch.



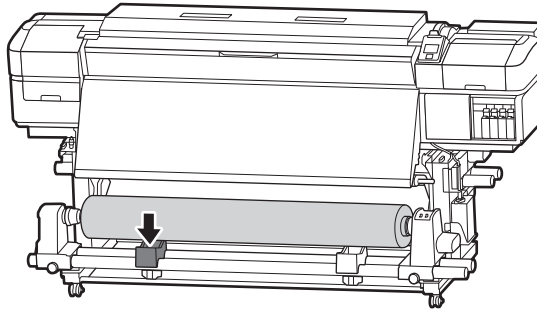
Removing media

WARNING: The heaters and media holding plates may be hot; be careful to avoid burns. Heavy media rolls may require two people for loading and removing.

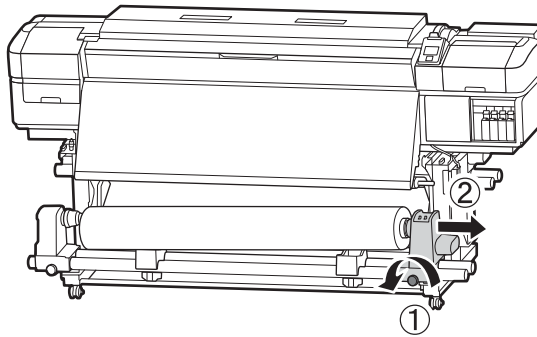
1. Loosen the left roll core holder knob and carefully remove the roll core holder from the roll. Make sure to support the end of the roll so that it does not drop.



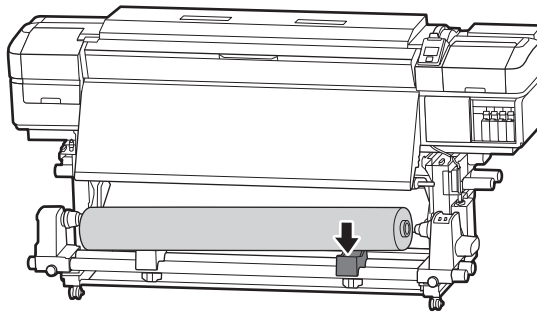
2. Lower the roll onto the support.



3. Loosen the right roll core holder knob and carefully remove the roll core holder from the roll. Make sure to support the end of the roll so that it does not drop.



4. Lower the roll onto the support.



Maintaining the printer

See these sections to perform basic maintenance on your printer.

Precautions

Read these cautions before performing maintenance on your printer.

- Store ink cartridges, cleaning cartridges, ink cleaner, grease, and waste ink in a location out of reach of children.
- During maintenance, wear protective clothing, including protective eyewear, gloves, and a mask. If ink, waste ink, ink cleaner, or grease contact your skin or enter your eyes or mouth, do the following:
 - If fluid gets on your skin, wash it thoroughly with soap and water. Consult a doctor if the skin appears irritated or is discolored.
 - If fluid gets into your eyes, flush them immediately with water. If you continue to experience eye problems after a thorough washing, consult a doctor.
 - If fluid gets into your mouth, spit it out and consult a doctor immediately.
 - If fluid is swallowed, see a doctor immediately. Do not try force yourself to vomit as the fluid may get caught in your trachea.
- Wash your hands and gargle thoroughly after you replace the waste ink bottle or use the ink cleaner.
- Remove media from the printer before performing maintenance.
- Do not touch the belts, circuit boards, or any parts that do not require cleaning; otherwise your printer may become damaged or print quality may decline.
- Use only the supplied cleaning sticks or sticks contained in the maintenance kit. Other types of sticks that produce lint will damage the print head.
- Do not re-use cleaning sticks as they can make stains harder to remove.
- Do not touch the tips of the cleaning sticks. Oil from your hands could damage the print head.
- Do not use water or alcohol to clean around the print head or the cap as it can congeal the ink.
- Touch a metallic object before starting maintenance to discharge any static electricity.

When to perform maintenance

See the following table for maintenance procedures you will need to perform and their timing:

Procedure	Frequency	Instructions
Clean the platen heater and media edge plates	Daily	see below
Remove and shake ink cartridges	Once every 3 weeks; daily for the White and Metallic Silver ink cartridges (SC-S80600 only)	page 32
Clean around the print head, caps, and flushing pad	Once a month or when you see a message appear on the LCD screen to perform head maintenance	see online <i>User's Guide</i>
Replace air filters, flushing pad, and wiper unit	When you see a message appear on the LCD screen indicating this maintenance is needed	see online <i>User's Guide</i>
Replace waste ink bottle	When you see a message appear on the LCD screen indicating this maintenance is needed	see online <i>User's Guide</i>
Replace ink cartridge	When you see a message appear on the LCD screen indicating this maintenance is needed	page 32
Clean the print head of clogged nozzles	As needed	page 29
Grease the carriage rod	When you see a message appear on the LCD screen indicating this maintenance is needed	see online <i>User's Guide</i>
Pre-storage maintenance*	If the printer is going to be turned off and not used for a long time	see online <i>User's Guide</i>

* Make sure to perform pre-storage maintenance if the printer is turned off and not going to be used for a long time, otherwise a print head nozzle may become permanently clogged.

Cleaning platen heater and media edge plates

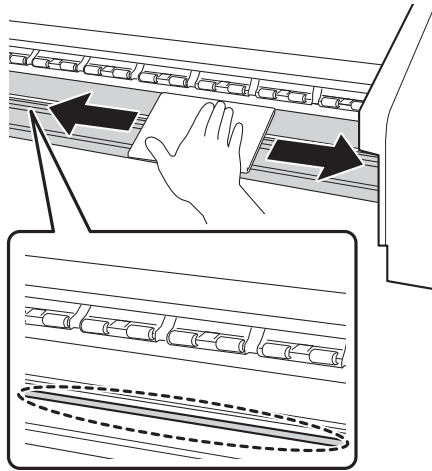
Lint, dust, and particles of ink and paper on the platen heater and media edge plates can clog your print head nozzles or cause ink drops to appear in your printouts. To help prevent this, it's recommended that you clean these parts daily.

WARNING: The heaters and media holding plates may be hot; be careful to avoid burns. Be careful not to trap your hand or fingers when opening or closing the front cover.

Caution: Do not use ink cleaner to clean inside the printer; otherwise, you may damage the printer.

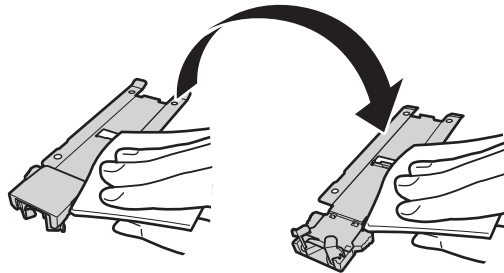
1. Make sure the printer is turned off and unplug both power cables. If the optional print drying system is installed, unplug the power cable for that as well.
2. Wait about a minute, then open the front cover.

3. Dampen a soft cloth in water, wring it out thoroughly, and use it to remove lint, dust, and ink from the platen heater. Make sure to clean inside the grooves on the platen as well.



4. Use the cloth to clean the media edge plates as well.


Note: If you are using media with glue, dampen the cloth with a mild detergent, wring it out thoroughly, and use it to clean the plates. Remove the plates and clean both sides if necessary.



Print head maintenance

If your printout shows a color shift or horizontal lines, you may need to perform maintenance on the print head.

Cleaning the print head

1. Make sure the printer is turned on and in a ready state.
2. Press the  button. You see the Maintenance menu.

3. Press the ▼ or ▲ buttons to select **Cleaning**, and press the **OK** button.
4. Select a cleaning level, and press the **OK** button.
Note: Select **Cleaning (Light)** first. If you need to run a second and third cleaning cycle, select **Cleaning (Medium)** and then **Cleaning (Heavy)**.
5. Select the cleaning method you want to use for each row of nozzles.
6. Press the ▼ or ▲ buttons to select the nozzle arrays you want to clean, and press the **OK** button.
7. Select **Execute with Selection** and press the **OK** button to start the cleaning cycle. When the cleaning cycle is finished, a confirmation message is displayed on the LCD screen.
8. Press the ▼ or ▲ buttons to select **Nozzle Check** and press the **OK** button.
9. Select the desired print position and press the **OK** button.
10. Cut the media, if necessary, and then checked the printed pattern to see if there are gaps in the lines.
11. If there are no gaps, you are finished. If there are gaps are the pattern is faint, clean the print head again.

If you don't see any improvement after cleaning the print head and selecting **Cleaning (Heavy)** for the cleaning level, perform **Auto Head Maintenance** as described below.

Auto Head Maintenance

Perform **Auto Head Maintenance** if your printouts show ink drops or if your nozzles are clogged even after cleaning the print head, as described below.

Caution: Do not perform this feature repeatedly in one day. Using this feature too frequently could damage the print head.

1. Make sure there the printer is turned on and in a ready state.
2. Press the ☰ button. You see the **Maintenance** menu.
3. Press the ▼ or ▲ buttons to select **Auto Head Maintenance**, and press the **OK** button.
4. Press the **OK** button again to start auto head maintenance. When maintenance is finished, the setup menu closes.

If you don't see any improvement after performing **Auto head Maintenance**, clean around the print head and caps. See the online *User's Guide* for details.

Checking ink status

Before you begin a large print job, you should check the LCD screen to view the printer's ink levels. If one of your cartridges is low, you can wait until the ink is expended, replace the cartridge, and then continue the job. For best results though, it's recommended that you replace the cartridge before you start printing as you may see a slight color difference if you switch cartridges in the middle of a print job.

Ink cartridge part numbers

Use these part numbers when you order or purchase new ink cartridges (see page 36 for ordering information):

SC-S40600/SC-S60600 ink cartridges

Slot	Color	Part number
BK	Black	T890100
C	Cyan	T890200
M	Magenta	T890300
Y	Yellow	T890400

SC-S80600 ink cartridges

Slot	Color	Part number
BK	Black	T890100
C	Cyan	T890200
M	Magenta	T890300
Y	Yellow	T890400
LC	Light Cyan	T890500
LM	Light Magenta	T890600
LK	Light Black	T890700
OR	Orange	T890800
R	Red	T890900
WH	White	T890A00
MS	Metallic Silver	T890B00

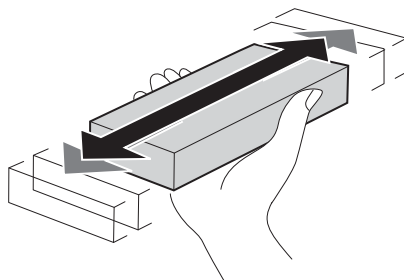
Note: Epson recommends the use of genuine Epson ink cartridges. Epson cannot guarantee the quality or reliability of non-genuine ink. The use of non-genuine ink may cause damage that is not covered by Epson's warranties, and under certain circumstances, may cause erratic printer behavior.

Shaking ink cartridges

Ink cartridges installed in the printer must be removed and thoroughly shaken once every three weeks to maintain print quality. See page 32 for instructions on removing and installing the ink cartridges.

Note: White and Metallic Silver ink cartridges (SC-S80600 only) must be shaken daily.

Hold the ink cartridge horizontally and shake it about 15 times in 5 seconds.



Caution: Be careful handling the ink cartridge as there may be ink around the ink supply port. If ink gets on your skin, into your eyes, or into your mouth, see page 27 for instructions.

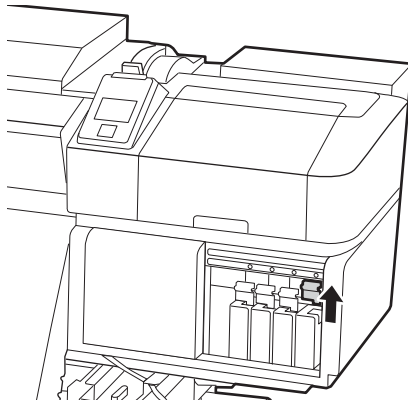
Replacing ink cartridges

Before you begin, make sure you read the important safety instructions on page 27 and have your replacement cartridges handy.

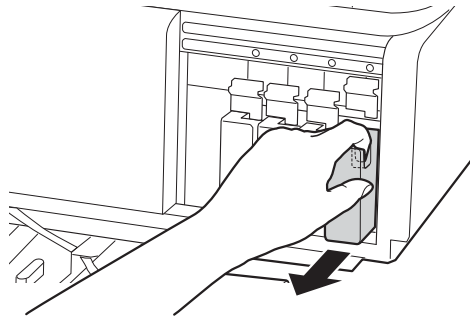
Caution: Leave your old cartridges in the printer until you are ready to replace them to prevent the print head nozzles from drying out. Do not open ink cartridge packages until you are ready to install the ink. Cartridges are vacuum packed to maintain reliability. For SC-S80600 users, if you see a message on the LCD screen that the White or Metallic Silver ink cartridge is expended, replace the expended cartridge immediately to avoid damage to your printer.

1. Make sure the printer is turned on.

- Lift the lock lever for the cartridge that needs replacing.

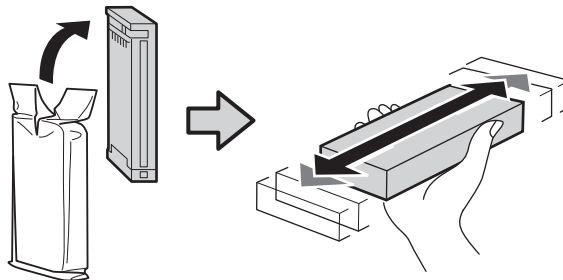


- Insert a finger into the depression on top of the ink cartridge and pull the cartridge straight out.

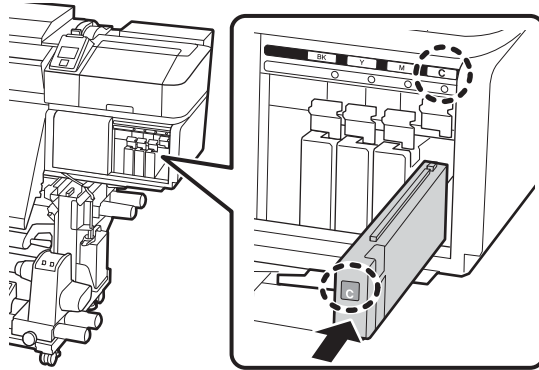


Caution: Be careful handling the ink cartridge as there may be ink around the ink supply port.

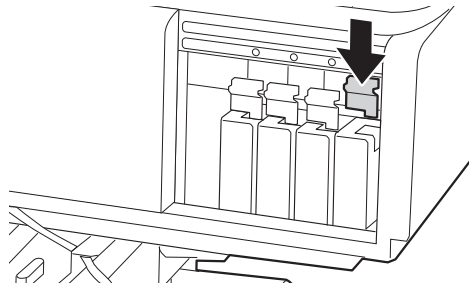
- Unpack the new cartridge and shake it about 15 times in 5 seconds. If you are replacing an Orange, White, or Metallic Silver ink cartridge, shake it about 50 times in 15 seconds.



5. Make sure the label on the cartridge matches the label on the printer, then insert the cartridge into the slot.



6. Lower the lock lever.



Note: Make sure an ink cartridge is installed in each slot. You cannot print if an ink cartridge slot is empty. Dispose of used cartridges carefully; see page 36 for additional information. Do not take the used cartridge apart or try to refill it.

Disposing of waste ink

When Prepare empty waste ink bottle is displayed on the LCD screen, the waste ink bottle beneath the printer is nearly full and will need to be replaced soon. Make sure you have a new waste ink bottle handy.

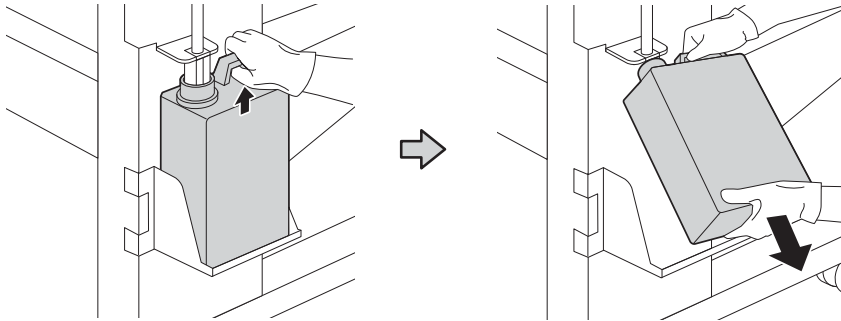
When Replace waste ink bottle and press OK is displayed on the LCD screen, the waste ink bottle is full and needs to be replaced. You can also replace the waste ink bottle before this message shows up by selecting Replace Ink Bottle from the setup menu.

Note: The printer uses a waste ink counter to track waste ink. If you replace the waste ink bottle when the message to replace the waste ink bottle is displayed on the LCD screen, the counter is reset automatically.

Caution: Do not remove the waste ink bottle while the printer is performing the following operations unless you are instructed to do so on the LCD screen: printing, head cleaning, head washing, ink refresh, pre-storage maintenance.

Before you begin, make sure you read the important safety instructions on page 27 and have a replacement waste ink bottle or an appropriate waste disposal container on hand.

1. Put on plastic gloves, then remove the waste ink bottle from its holder.



2. Insert the waste ink tube into the mouth of the new tank and place the tank in the holder.

Caution: Make sure you keep the lid from the waste ink bottle so you can use it when disposing of waste ink.

3. Tightly seal the lid on the used waste ink bottle.
4. Press the OK button, then make sure the new bottle is installed correctly, and press OK again to reset the waste ink counter.
5. Wash your hands thoroughly.

Note: Dispose of the waste ink in compliance with industrial waste disposal laws and local government ordinances as required in your area. See page 36 for additional information.

Disposing of used consumables

The used parts in this section are considered industrial waste and proper disposal, in compliance with the industrial waste disposal laws and ordinances of your local government, is required. In some cases (e.g., you contracted an industrial waste disposal company to dispose of your waste ink), you may need to submit a Safety Data Sheet (SDS). You can download one for your printer from the Epson support website.

- Cleaning stick
- Clean-room wiper
- Ink cleaner
- Waste ink
- Waste ink bottle
- Wiper unit
- Flushing pad
- Air filter
- Media that has been printed on

Ordering supplies and optional accessories

Part	Part number
Ink cartridges	See page 31 for a complete list
Cleaning cartridge	T696000
Maintenance parts kit; includes wiper unit, flushing pad, air filters, and gloves	C13S210044
Ink cleaner	T699300
Waste ink bottle	C13T724000
Cleaning sticks	C13S090013
Clean room wiper*	C13S090016
Print drying system (optional for the SC-S40600/SC-S80600)	C12C932381
Media edge guide	C12C932411

*Not available in some countries and regions.

You can purchase optional equipment and genuine Epson ink and media from an Epson Professional Imaging Authorized Reseller. To find the nearest reseller, visit www.proimaging.epson.com (U.S. sales), www.epson.ca (Canadian sales), or call 800-GO-EPSON (800-463-7766). Or you can purchase online at www.proimaging.epson.com (U.S. sales) or www.epson.ca (Canadian sales).

Where to get help

Epson provides technical support and information on the installation, configuration, and operation of professional printing products through the Epson PreferredSM Limited Warranty Plan.

Dial (888) 377-6611, 6 AM to 6 PM, Pacific Time, Monday through Friday. Days and hours of support are subject to change without notice. Before you call, make sure you have your:

- Printer serial number: _____
- Proof of purchase and date: _____

Tip: If you experience difficulty with the toll-free line, call (562) 276-1305.

Visit Epson's support website at www.epson.com/support (U.S.) or www.epson.ca/support (Canada) and select your product for solutions to common problems. You can download drivers, firmware, and documentation, view FAQs, or e-mail Epson with your questions.

EPSON and SureColor are registered trademarks, and EPSON Exceed Your Vision is a registered logomark of Seiko Epson Corporation. Epson Preferred is a service mark of Epson America, Inc.

General Notice: Other product names used herein are for identification purposes only and may be trademarks of their respective owners. Epson disclaims any and all rights in those marks.

This information is subject to change without notice.