



F-100 & F-1000 Flash

ASSEMBLY AND OPERATING INSTRUCTIONS

Models:

- F-100**
- F-100-240**
- F-1000**
- F-1000-240**



Contents	Page#
• Component Identification	2
• Safety Information	3
• Assembly	4
• Electrical Requirements	5
• Controls	5
• Operation	5
• Maintenance and Troubleshooting	6
• Warranty / Terms and Conditions	7

Vastex International, Inc.
 7 Emery St.
 Bethlehem, Pa. 18015 USA
 Phone# 610 625-2702 Fax# 610 625-2775
 Web Site www.vastex.com

Authorized Representative in Europe:
 Certification Experts BV
 Nieuwstad 100 1381 CE Weesp,
 The Netherlands
 Tel : + 31 (0) 294 – 48 33 55
 Fax : + 31 (0) 294 – 41 46 87

Vastex E-mail assistance

Purchasing & Product Info:
sales@vastex.com
 Electrical Support:
stech@vastex.com
 Tech Support, Mechanical Setup, and Operation:
techsupport@vastex.com
 Screen Printing Issues & Support:

Electrical Drawing #: _____ Rev: _____

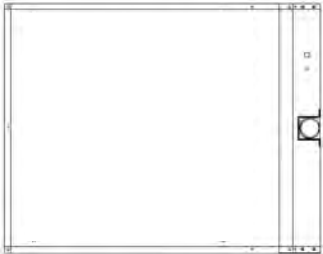

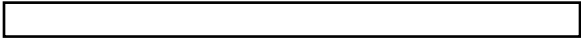










Serial #: VTX _____ Date: ___/___/___

(Please log your machine's serial number and date of purchase for future reference.)

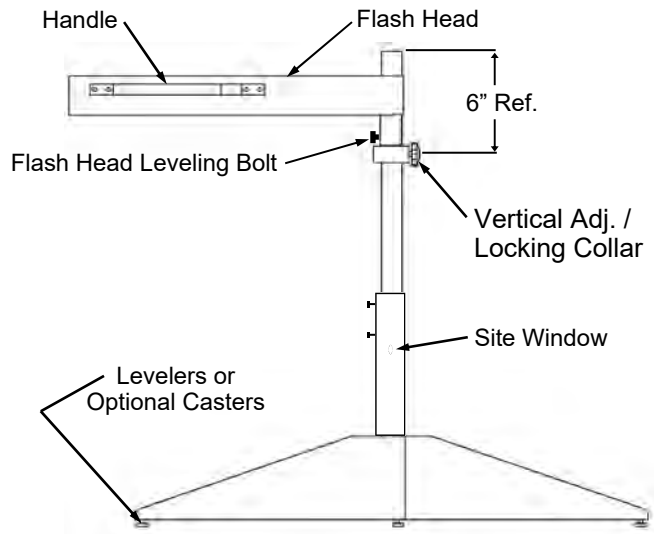
F-100 & F-1000 Flash

Component Identification

Inspect all packages while unpacking and notify the shipping company if any damages are detected. The flash heater head was assembled, tested (burned-in) and packaged in perfect condition in a proven container. Review the manual before starting assembly.

- (1) Heater Head 
- (4) Legs Part# 07-01-011 
- (1) Round Post Part# 07-04-007-0 
- (1) Square Post Part# 07-04-008-0/07-04-009-0 
- (1) Knob # 04-05-106 
- (1) Lock Collar # 04-05-004 
- (8) 1/4-20 x 1/2 Hex Head Bolts # 04-05-013 
- (1) 1/4-20 x 2 1/4 Hex Head Bolt # 04-05-164 
- (9) 1/4-20 Serrated Lock Nuts # 04-05-289 
- (4) 3/8-16 Threaded Levelers # 04-06-027 
- (4) 3/8-16 Hex Nuts # 04-05-285 
- (3) Handles # 07-04-016-0 
- (8) #8 x 3/8 Sht Metal Screws # 04-05-080 

Overall Assembly Diagram



Safety Information

- The operator should read and understand the instruction manual before operating this equipment. Store this manual and safety information near the equipment for easy access to operators.
- VASTEX flash units are intended for the curing of non-flammable inks on screen printed materials. Do not use for any other purpose unless authorized by Vastex International, Inc. Use of this equipment for any other purpose can be dangerous and may cause damage to this equipment, voiding the warranty.
- It is recommended that the area around this equipment be designated as a work area and only authorized employees are allowed in this area.
- Children and pets must be kept clear from the work area.
- Do Not place any objects on top of the heater or control box; surfaces are hot.
- Never leave equipment unattended.
- DO NOT operate any flash units with any cover or guard removed.
- Do Not operate if the power cord or heater face is damaged.
- Operator must be familiar with the controls of the flash unit before operating.
- Before starting production, check that all covers and guards are in place, no material has been left on the flash unit, and the work area is clear of obstructions.
- Make certain when turning on the heater that it is not positioned over any flammable material, including the printer pallet. If heater is allowed to dwell over pallet for extended periods of time it will damage the pallet surface.
- Always turn off power at the main disconnect at the end of production.
- Do Not remove any cover or guard until power at the main disconnect is switched off and locked out. No unauthorized persons are to be allowed inside the control boxes.
- Turn off and lock out power at the main disconnect before cleaning and maintenance.
- Only qualified technicians should be allowed to make repairs on VASTEX Flash Units.
- **Noise and vibration:** These units do not produce noise exceeding 70 dB(A).

Warning

Heat Control and/or power switch should be switched off before plugging and/or unplugging the power cord.

Instructions for placing your equipment into service and use

To place your flash unit into service:

- 1.) Review the Component Identification section on page 2 to familiarize yourself with the various components of your machine.
- 2.) Follow steps 1 through 10 on pages 4 and 5 (Assembly Instructions)

To use your flash unit:

- 1.) Familiarize yourself with the function of the controls on your unit (see page 5).
- 2.) Follow the “Heating Operation” procedures on page 5.
- 3.) When finished using your unit, follow the “Shutdown” instructions on page 5.

Stability during use, transportation, assembly, testing, and foreseeable breakdowns

This equipment is designed and expected to be stable during all foreseeable conditions, provided that the cautions and instructions in this manual are followed. Do not place any objects on machine heads. If it is necessary to remove the head/round post assembly from the square post on the base, head assembly flat on the ground — do not try to balance it upright.

Safe transport, handling, and storage

This equipment is designed to be as safe as possible under all foreseeable conditions of transport, handling, and storage. Be certain to switch the equipment off, unplug it, and let it cool before handling any parts that become hot during operation, and before storing. When handling your machinery, be aware of the following weights:

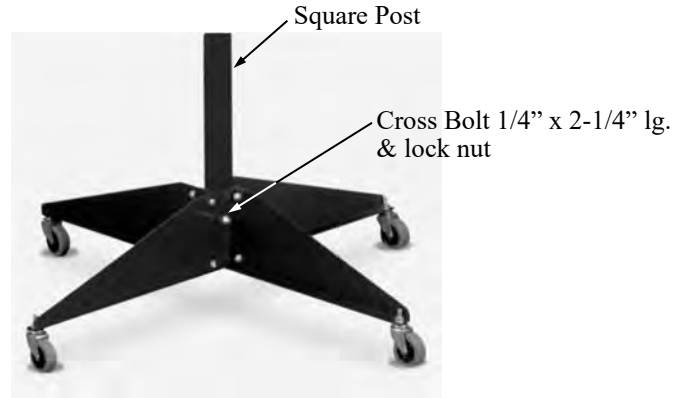
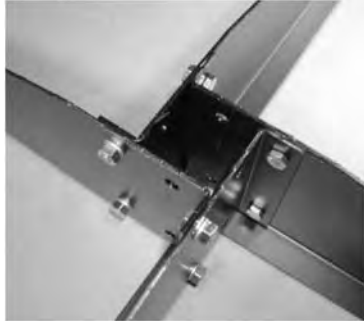
F-100: 39 lbs (18 kg); F-1000: 42 lbs (19 kg)

— Assembly Instructions

Tools Required:

1/4" Wrench or nut driver
 7/16", 1/2" & 9/16" Wrench
 Adjustable Wrench

1) Position the legs as shown below and bolt together with 1/4" bolts and serrated lock nuts. Do not fully tighten at this time.



2) Slide the square post, with the center hole at the bottom and the (2) 5/16" bolts/floating nuts at the top, into the square hole created by the legs. Insert the 1/4-20 x 2 1/4" lg. hex head bolt through legs and square post and fasten with 1/4" serrated lock nut. Tighten with a 7/16" wrench. Evenly tighten all hardware in the assembly. (Do not over tighten.)

3) Turn the assembly over and install four levelers or (optional) casters, one at the end of each leg with (4) 3/8" nuts and washers. Tighten using 9/16" wrench.

4) Loosen slightly both 5/16" bolts, only enough for the round post to slide past. Install round post into square post. Slide the post down until the end can be seen through the site window. Tighten both 5/16" bolts to secure the round post. **Do not over tighten bolts.**

5) Thread the knob into the lock collar and install the lock collar onto the post. Position the lock collar 6" (15 cm) down from the top of the post and tighten knob fully.

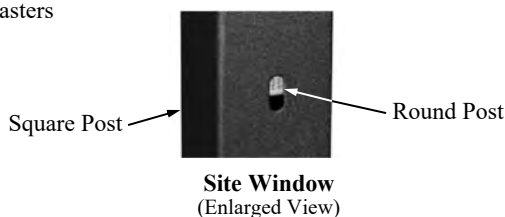
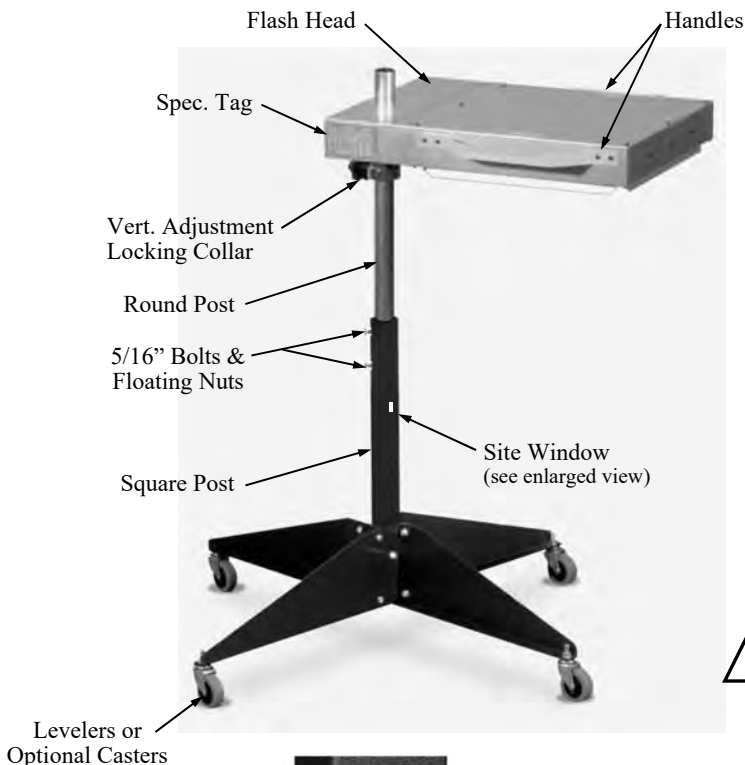
6) Unpack the heater head assembly and uncoil the line cord.

Be careful not to damage the heater surface!



7) Attach 3 handles, one to each side of the heater head with (12) #8 x 3/8" sheet metal screws using 1/4" wrench.

8) Carefully slide the heater head over the post to rest onto the vertical adjustment locking collar.



— Assembly Instructions Cont.

9) While firmly supporting the heater head, loosen the locking knob and adjust the position of the heater to 2-3" (5-10 centimeters) above the pallet.

10) Adjust the flash head parallel to the pallet. Use a 9/16" wrench to turn in or out the flash head leveling bolt.

— Electrical Requirements

Models:

Plugs and receptacles listed below are for domestic (USA) models.

International models are supplied with the appropriate powercords.

F-100

120Volts, 12.5 Amps, 1.65 KW

Nema Plug 5-15P

Requires dedicated 15 amp circuit with a good quality 5-15R receptacle.

F-100-240

240Volts, 6.3 Amps, 1.65 KW

Nema Plug 6-15P

Requires good quality 6-15R receptacle.

F-1000

120Volts, 15 Amps, 1.95 KW

Nema Plug 5-20P

Requires dedicated 20 amp circuit with a good quality 5-20R receptacle.

F-1000-240

240Volts, 11 Amps, 2.6 KW

Nema Plug 6-15P

Requires good quality 6-15R receptacle.

Receptacle Configurations USA Versions



— Controls

Models:

F100, F-100-240

-Power Switch

Turns on heater

-Heat On Light

This RED light will illuminate when the main power switch is on.

Models:

F-1000, F-1000-240

-Heat Controller

The control has positions LO-2-3-4-5-6 and HI. The controller turns the power to the heater on and off to vary the temperature. The higher the number on the control the longer the on cycle and shorter the off cycle is. The "HI" position keeps the power on constantly.

-Heat On Light

This RED light is wired to the controller. It will illuminate when the control is turned on, even if the controller has failed.



Heater surfaces are very **HOT**.

Do Not leave Flash Unit turned on and unattended.

Do Not allow Flash Unit to dwell over the pallet for extended periods of time or damage to pallet top will result.

— Heating Operation

Startup: Check that power switch or heat control is turned off. Plug in the flash unit. Switch on breaker. Turn on power switch or heat control to "HI". Allow heater to reach full temperature, approx. 20 min.

Shutdown: Turn off power switch or heat control. Switch off circuit breaker. Unplug flash unit.

Operation: The FLASH will effectively flash dry all types of plastisols and thermoset inks. Set the control to position 5 and a distance of 2-3" from the face of the heater to the surface of the garment. The normal dwell time under the heater is the time you spend printing another garment. Nevertheless, 8-12 seconds is the time needed to effectively "skin-over" the ink deposit. Adjust the heat control and/or distance from the pallet to the heater to achieve proper cure.

Maintenance and Troubleshooting

Safe maintenance and troubleshooting:

- Before beginning any maintenance or troubleshooting on your equipment, unplug your machine from its electrical outlet.
- The heat control and/or power switch should be switched off before plugging and/or unplugging the power cord.
- Allow time for the equipment to cool before attempting any service on the heater
- Do not remove any panels with the equipment powered on; any such service must be performed by qualified personnel only.
- If your machine appears to be operating abnormally and the troubleshooting charts below do not resolve your problem, shut your unit off, unplug it, and contact Vastex for further assistance.

In the event of a malfunction or breakdown:

Shut off power to the equipment and unplug from electrical outlet. Then, following the troubleshooting charts below. If this does not resolve your issue, please contact Vastex for support.

Troubleshooting Chart—All Models:

Symptom	Possible Cause	Solution
No Heat (all models) F-1000, F-1000-240: F100, F-100-240: (all models)	Machine unplugged? Faulty temperature controller Faulty power switch Faulty heater	Plug into appropriate outlet Contact Vastex for assistance Contact Vastex for assistance Contact Vastex for assistance
Heat on, cannot be controlled (F1000, F-1000-240):	Faulty temperature controller	Contact Vastex for assistance

Maintenance:

Your equipment is designed to provide a long service life with little maintenance required. On all models, periodically check the heater face and power cord to ensure that neither has become damaged. Periodically verify correct functioning of all controls.

Vastex Warranty

Doc#01-00-005D Revised 2/20/2018

(1.) Vastex, hereinafter referred to as "seller" warrants only to its original "purchaser", who holds a copy of the original invoice and is the original end user of the equipment in question, its new equipment against manufacturer defects in materials or workmanship on a pro-rated basis. Warranty period begins from date of shipment to the buyer and will only apply to customers paid in full. Warranty periods are as follows: one (1) year for E-1000, three (3) years for all other complete machines (including F-Flash), fifteen (15) years for infrared heaters (excluding F-Flash) installed by Vastex in a new dryer, three (3) years for replacement infrared heaters, and one (1) year for replacement parts. Rubber blankets, light bulbs and glass on exposure units are particularly subject to wear while in use. Wear is not covered by this warranty but as stated above only manufacturers defects are covered. All sales made through Vastex dealers must be certified by that dealer before a warranty replacement is issued. All equipment is thoroughly tested and inspected before packaging. This warranty does not cover minor cosmetic damages that occur during shipment that do not affect the functionality of the equipment.

(2.) **This warranty is expressly contingent upon the buyer delivering to seller, at the address below, with all transportation charges prepaid, the part or parts claimed to be defective within the above mentioned warranty periods stated in paragraph one. The defective part or parts will be repaired or replaced at the discretion of Vastex International, Inc. If the equipment in question is less than one (1) year old, it will be shipped to the customer at no charge, with an RGA issued by Vastex for the defective part. The defective part must be shipped back to Vastex freight prepaid within 30 days or the account will be billed. If the equipment is more than a year old, the part will be shipped after we receive the defective part. If it's necessary to expedite the movement of parts and to minimize down time to the buyer, the replacement part shall be supplied on a C.O.D. basis. If testing and analysis of said part by the seller or its supplier discloses that said part is defective, the cost of said part will be refunded to the buyer on a prorated basis.**

(3.) Except as otherwise provided herein, the equipment is being sold "as-is". Final determination of the suitability of the equipment for the use contemplated by the buyer, is the sole responsibility of buyer, and seller shall have no responsibility in connection with the suitability.

(4.) All warranties implied by law, including the implied warranties of merchantability and fitness are hereby limited to manufacturer defects in materials or workmanship during the warranty period stated in paragraph one. The express warranty and remedies contained herein and such implied limited warranties are made solely to the sole warranties and remedies and are in lieu of all other warranties, guarantees, agreements, and other liabilities, whether express or implied, and all other remedies for breach of warranty or any other liability of seller, in no event shall seller be liable for consequential damages.

No person, agent, distributor, or service representative is authorized to change, modify or extend the terms hereof in any manner whatsoever.

These terms and conditions are an essential part of the transaction between the parties and constitute the entire agreement between them with respect to the same.

Some states do not allow limitation on how long an implied warranty lasts of the exclusion or limitation of incidental, or consequential damages, so the above limitation may not apply to you.

This warranty gives you specific legal rights, and you may also have other rights which vary from state to state.

Infrared heaters are the only replacement parts covered for a period of (3) years from date of shipment and contingent to receipt of payment in full.

Electrical components cannot be returned once installed unless proven defective.

Please refer to doc. 01-00-015 for specific terms and conditions of sale and the limited warranty.

Please refer to doc. 01-00-017 for V-2000HD printer warranty.

Updates: V1000 to 3 year warranty 01/09/12, Heater warranty to 15 years 01/02/2012.

TERMS AND CONDITIONS OF SALE AND LIMITED WARRANTY Doc.#01-00-015

- Buyer's order will constitute an offer in accordance with the terms hereof and such offer, upon acknowledgment of Seller, will constitute the agreement between Buyer and Seller. Buyer's order after such acknowledgment by Seller will not be subject to cancellation, change or reduction in amount, or suspension by Buyer of deliveries, unless prior to such action Buyer has obtained Seller's written consent. Notwithstanding anything to the contrary in Buyer's Purchase Order or other communications, the parties agree to be bound by these Terms and Conditions. Acceptance of the product by the Buyer shall be deemed to constitute unconditional acceptance of these Terms and Conditions.
- Any of these terms, conditions and provisions of Buyer's order which are inconsistent with Seller's acknowledgment and these Terms and Conditions of Sale shall not be binding on the Seller and shall be considered not applicable to any sale so made. No waiver, alteration or modification of any of the provisions on either side of the document shall be binding upon Seller unless agreed to in writing by Seller.
- (a) All prices are F.O.B. Seller's Plant and method of delivery and routing shall be at Seller's discretion, unless specifically otherwise stated herein. Notwithstanding any agreement to pay freight, delivery of products purchased hereunder to a common carrier or licensed trucker shall constitute delivery to Buyer and be determinative of the date and time of shipment and all risk of loss or damage in transit shall be borne by Buyer. If the Buyer fails to accept the goods from the common carrier or licensed trucker, the Seller shall be entitled to claim payment from the Buyer. Seller shall arrange for storage, the risk and the cost, including insurance costs, to be borne by the Buyer (and Buyer agrees to pay such amounts upon demand) except if the failure to accept delivery is due to any of the exceptions noted in Paragraph 4.
(b) Terms of payment shall be as stated on invoice.
- It is understood that deliveries will be made in accordance with Seller's regular production schedule. Every reasonable effort will be made to meet the Buyer's required delivery dates but Seller will not be liable for damages or be deemed to be in default by reason of any failure to deliver or delay in delivery due to any preference, priority, allocation or allotment order issued by the Government, whether Federal, State or local, or causes beyond its control including but not limited to, Acts of God or a public enemy, acts of Government, fires, floods, epidemics, quarantine restrictions, strikes, lockouts, freight embargoes, severe weather, unavailability of materials or shipping space, delays of carriers or suppliers or delays of any subcontractors. Should delay in delivery be caused by any of the circumstances mentioned in this paragraph, such extension of the delivery period shall be granted as is reasonable under the circumstances of the case. Should delay be caused by an event not specifically mentioned in this paragraph, damages will be limited to cancellation of the purchase order without penalty, and refund of any monies deposited or prepaid on the purchase order with no liability for any consequential or incidental damages.
- Seller reserves the right to increase the prices prior to Seller's acceptance of order and/or after expiration of any price quoted by Seller.
- Unless otherwise stated in writing, Seller's prices do not include sales, excise, value-added or other taxes. Consequently, in addition to the price specified herein, the amount of any present or future sales, use, excise, value-added or other tax applicable to the manufacture, sale, purchase or use of the products hereunder shall be paid by Buyer, or in lieu thereof, Buyer shall provide Seller with a valid tax exemption certificate acceptable to the taxing authorities.
- Seller reserves the right, at any time, to revoke any credit extended to Buyer because of Buyer's failure to pay for any products when due or for any other reason deemed good and sufficient by Seller and in such event, all subsequent shipments shall be paid for prior to at delivery at Seller's option.
- (a) SELLER'S LIABILITY SHALL BE LIMITED TO SELLER'S STATED SELLING PRICE PER UNIT OF ANY DEFECTIVE GOODS AND SHALL IN NO EVENT INCLUDE BUYER'S MANUFACTURING COSTS, LOST PROFITS, GOODWILL, OR ANY OTHER SPECIAL, INDIRECT, INCIDENTAL OR CONSEQUENTIAL DAMAGES, ARISING OUT OF THE AGREEMENT, THIS CONTRACT, THE SALE OF THE PRODUCTS TO THE BUYER OR THE USE OR THE PERFORMANCE OF THE PRODUCTS. Seller may at its discretion repair, replace or give the Buyer credit (pro-rated) for such defective products.
(b) Notwithstanding anything herein to the contrary, Seller shall have no liability for alleged defects with the products which are not specified in written notice from the Buyer to the Seller within thirty-six (36) months from the date of shipment of machines. Seller shall pass to Buyer any warranty received by Seller from the manufacturer of Limited Life Components, which in most cases is 12 to 18 months.
(c) Seller shall have no liability under this Limited Warranty unless Buyer has paid in full for the products. Further, this Limited Warranty is expressly contingent on Buyer's delivery to Seller, all costs prepaid, the defective part(s) within thirty-six (36) months of shipment to Buyer, together with a written statement specifying the alleged defect(s). Any replacement part(s) shall be shipped to Buyer on a C.O.D. basis.
(d) SELLER SPECIFICALLY EXCLUDES ALL WARRANTIES, EXPRESSED, IMPLIED OR OTHERWISE, EXCEPT AS STATED EXPLICITLY IN THESE TERMS AND CONDITIONS OF SALE. SELLER DISCLAIMS THE WARRANTY OF MERCHANTABILITY AND FITNESS FOR A PARTICULAR PURPOSE.
- The remedies herein reserved by Seller shall be cumulative and in addition to any other legal remedies. No waiver of a breach of any portion of this contract shall constitute a waiver of continuing or future breach of such provision or of any other provisions hereof.
- These Terms and Conditions constitute the entire agreement of the parties. No amendments, changes, revisions or discharges hereof in whole or in part shall have any force or effect unless set forth in writing and signed by the parties hereto. This contract shall not be assignable by Buyer voluntarily by operation of law or otherwise without Seller's written consent.
- This contract shall be governed and shall be construed according to the domestic laws of the Commonwealth of Pennsylvania.
- Anything herein to the contrary notwithstanding, any action for alleged breach by Seller of the contract between the parties, including but not limited to any action for breach of the warranties herein set forth, shall be barred unless commenced by Buyer within one (1) year from the date such cause of action accrued.
- This agreement shall inure to the benefit of and be binding upon the parties hereto, their respective successors and permitted assigns.
- All notices required by this contract to be given by either party shall be sent in writing or by facsimile and shall be addressed to the last known address of such other party. Notices shall be deemed to have been received on the fifth business day following deposit in the mail.**