

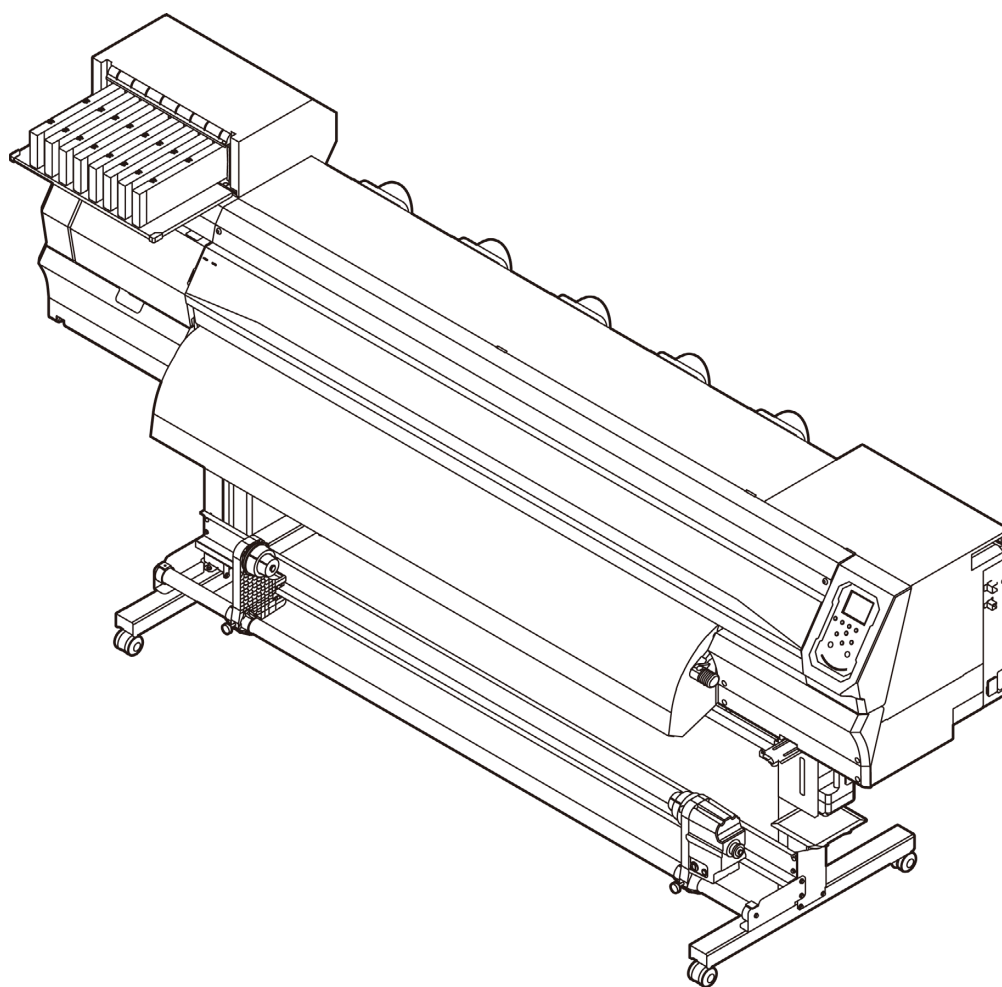
# Operation Manual

## **COLOR INKJET PRINTER**

# ***JV300-130/160***

# ***JV300-130/160 Plus***

## **Operation Manual**



You can also download the latest manual from our website.

**MIMAKI ENGINEERING CO., LTD.**

<https://mimaki.com/>

D202681-35

Original instructions

# TABLE OF CONTENTS

---

Foreword .....	v
DISCLAIMER OF WARRANTY .....	v
Requests .....	v
FCC Statement (USA) .....	v
Interference to televisions and radios .....	v
About usable ink .....	v
Safety Precautions .....	vi
Symbols .....	vi
Safety interlock .....	ix
Warning labels .....	x

## Chapter 1 Before Use

Moving This Machine .....	1-2
Where to Install This Machine .....	1-2
Working Environmental Temperature.....	1-2
Moving This Machine .....	1-2
Names of Parts and Functions .....	1-3
Front Side of the Machine .....	1-3
Rear Side and Right Side of the Machine .....	1-4
Operation Panel .....	1-5
Media sensor.....	1-7
Carriage.....	1-7
Cutter blade and slot for cutting .....	1-7
Capping station .....	1-7
Pinch rollers and Feed rollers.....	1-7
Connecting Cables .....	1-8
Connecting the LAN cable.....	1-8
Connecting USB2.0 Interface Cable .....	1-8
Connecting the power cable.....	1-9
Inserting ink cartridges .....	1-10
Caution in handling of ink cartridges .....	1-10
Inserting ink cartridges .....	1-10
Changing an ink cartridge .....	1-11
For Ink cartridge lamps.....	1-11
Restrictions concerning the product.....	1-11
How to assemble ink 600ml ink cartridge.....	1-12
Media .....	1-13
Usable sizes of media .....	1-13
Caution in handling of medias.....	1-13
Menu mode .....	1-14

## Chapter 2 Basic Operations

Workflow .....	2-2
Turning the Power ON/OFF .....	2-3
Turning the Power ON.....	2-3
Turning the Power OFF.....	2-3
Setting a Media .....	2-4
Adjusting the Head Height.....	2-4
Setting a roll media.....	2-5

Media Edge Guide.....	2-7
Take-up device.....	2-8
Setting leaf media.....	2-9
Changing the printing origin.....	2-10
Preparing for the Heaters.....	2-10
Changing the Temperature Settings for the Heaters.....	2-10
Test Printing.....	2-11
Test Printing.....	2-11
Perform test printing with the normal test pattern.....	2-12
Perform test printing with the test pattern for checking white ink....	2-12
Head Cleaning.....	2-13
About head cleaning.....	2-13
Perform head cleaning depending on the test printing result.....	2-13
Setting of Media Correction.....	2-14
Setting of Media Correction.....	2-14
If the Positions of Dots Shift... ..	2-14
Printing Data.....	2-15
Starting a Printing Operation.....	2-15
Stopping a Printing Operation.....	2-15
Deleting Received Data (Data Clear).....	2-15
Cutting a media.....	2-15

## Chapter 3 Setup

About SETUP MENU.....	3-2
SETUP MENU table.....	3-3
Register the optimal print conditions to match the use.....	3-4
Setting of Media Correction.....	3-5
If the Positions of Dots Shift... ..	3-6
Setting the HEATER.....	3-7
Setting of Logical Seek.....	3-7
Setting of Drying Time.....	3-8
Setting of Left and Right Margins.....	3-8
Setting of Vacuum Fan.....	3-9
Setting of Feed Speed.....	3-9
Setting of MAPS.....	3-9
Setting Auto Cleaning.....	3-10
Setting Interval wiping.....	3-11
About MACHINE SETUP MENU.....	3-12
MACHINE SETUP MENU table.....	3-13
Setting a AUTO Power-off.....	3-14
Setting a AUTO Power-on.....	3-14
Setting Take-up unit.....	3-15
Setting Top Blower.....	3-15
Setting the Display of Media Residual.....	3-16
When using 600 ml cartridge.....	3-16
Setting a LANGUAGE.....	3-19
Setting Time.....	3-19
Setting Unit (Temperature/ Length).....	3-19
Setting a KEY BUZZER.....	3-19
Setting the CONFIRM. FEED.....	3-20
Setting the SPACE FEED MODE.....	3-20
Set the network.....	3-20

Setting event mail function .....	3-21
Automatic remote .....	3-25
Initializing the Settings.....	3-25
About NOZZLE CHECK MENU .....	3-26
INFORMATION MENU table.....	3-26
Printing Check Flow .....	3-27
Printing Operations at “Nozzle Missing” Judgment and Error Occurrence 3-27	
Setting the Printing Check.....	3-28
Setting the NOZZLE RECOVERY .....	3-28
Setting the Judgment Condition .....	3-28
About INFORMATION MENU .....	3-29
INFORMATION MENU table.....	3-29
Displaying the Information.....	3-30

## Chapter 4 Maintenance

Maintenance .....	4-2
Precautions for Maintenance.....	4-2
About Cleaning Solution .....	4-2
Cleaning the Exterior Surfaces.....	4-2
Cleaning the Platen .....	4-2
Cleaning the Media Sensor .....	4-3
Cleaning the Media Press .....	4-3
Cleaning the Jam Sensor .....	4-3
Replacing the exhaust BOX filter or exhaust BOX .....	4-3
Replace the blow down fan filter .....	4-4
Replace the CP pad set .....	4-5
Cleaning or replace the pinch roller.....	4-5
About MAINTENANCE MENU .....	4-6
MAINTENANCE MENUs at-a-glance.....	4-7
Daily care other than the maintenance menu .....	4-7
Maintaining the Capping Station .....	4-8
Cleaning the Wiper and Cap .....	4-8
Washing the Head Nozzle.....	4-9
Washing the Ink Discharge Passage .....	4-10
When the Machine Is Not Used for a Long Time .....	4-11
Cleaning the Ink Head and the Area around It .....	4-13
Nozzle Recovery Function .....	4-14
Reset the set value.....	4-15
Set Whether to Enable NOZZLE RECOVERY During TEST PRINT .....	4-15
Automatic Maintenance Function .....	4-15
Setting the Refreshing Intervals .....	4-15
Setting the Pump Tube & Nozzle Wash Intervals .....	4-16
Setting the Cleaning Intervals and Type .....	4-16
Fill up Ink .....	4-17
Ink Maintenance .....	4-17
Ink Maintenance (Except white and orange ink) .....	4-17
White Ink Maintenance.....	4-17
Orange Ink Maintenance .....	4-18
Replacing consumables .....	4-18
Replacing the wiper.....	4-18
If a Waste Ink Tank Confirmation Message Appears .....	4-19



Replacing the waste ink tank before the waste ink tank confirmation message is displayed	4-20
Replacing the Cutter Blade .....	4-20

## Chapter 5 Troubleshooting

Troubleshooting .....	5-2
Power does not turn on .....	5-2
The machine does not start printing .....	5-2
Media get jammed / media is soiled .....	5-2
The heater's temperature will not rise to the set level .....	5-3
Image quality is poor .....	5-3
Nozzle is clogged .....	5-3
Ink cartridge warning appears .....	5-4
When the ink leakage occurs .....	5-4
Warning / Error Messages .....	5-5
Warning messages .....	5-5
Error messages .....	5-8

## Chapter 6 Appendix

Specifications .....	6-2
Machine specifications .....	6-2
Ink specifications .....	6-4
Setting orders of ink cartridges .....	6-5
LICENSE Library .....	6-6
Sheet for inquiry .....	6-7

## Foreword

Congratulations on your purchase of MIMAKI color ink jet printer "JV300-130/160", "JV300-130/160 Plus".

"JV300-130/160" and "JV300-130/160 Plus" (called as this machine hereafter) is a color inkjet printer that can print on 1.3m or 1.6m-width media with solvent ink (4-color, 6-color and 8-color) and sublimation dye ink (4-color and 6-color) realizing high image quality.

### DISCLAIMER OF WARRANTY

THIS LIMITED WARRANTY OF MIMAKI SHALL BE THE SOLE AND EXCLUSIVE WARRANTY AND IS IN LIEU OF ALL OTHER WARRANTIES, EXPRESS OR IMPLIED, INCLUDING, BUT NOT LIMITED TO, ANY IMPLIED WARRANTY OF MERCHANTABILITY OR FITNESS, AND MIMAKI NEITHER ASSUMES NOR AUTHORIZES DEALER TO ASSUME FOR IT ANY OTHER OBLIGATION OR LIABILITY OR MAKE ANY OTHER WARRANTY OR MAKE ANY OTHER WARRANTY IN CONNECTION WITH ANY PRODUCT WITHOUT MIMAKI'S PRIOR WRITTEN CONSENT.

IN NO EVENT SHALL MIMAKI BE LIABLE FOR SPECIAL, INCIDENTAL OR CONSEQUENTIAL DAMAGES OR FOR LOSS OF PROFITS OF DEALER OR CUSTOMERS OF ANY PRODUCT.

### Requests

- This manual is describing the operations and maintenance of this machine.
- The illustrations used in this manual may vary depending on the machine.
- This manual has been carefully prepared for your easy understanding, however, please do not hesitate to contact a distributor in your district or our office if you have any inquiry.
- The contents of this Operation Manual are subject to change for improvement without notice.
- You can also download the latest manual from our website.

### FCC Statement (USA)

This machine has been tested and found to comply with the limits for a Class A digital device, pursuant to Part 15 of the FCC Rules. These limits are designed to provide reasonable protection against harmful interference when the printer is operated in a commercial environment. This machine generates, uses and can radiate radio frequency energy and, if not installed and used in accordance with the operation manual, may cause harmful interference to radio communications.

Operation of this machine in a residential area is likely to cause harmful interference in which case the user will be required to correct the interference at his/her own expense.

The limits stipulated by FCC rules might be exceeded if Mimaki-recommended cable is not used for connections of this machine.

To prevent this, use of Mimaki-recommended cable is essential for connecting this machine.

### Interference to televisions and radios

The printer described in this manual generates high frequency when operating.

This machine can interfere with the reception of radios and televisions if set up or used under improper conditions.

This machine is not guaranteed against any damage to specific-purpose radios and televisions.

If you feel that this machine might be causing reception interference with your radio or television, check by turning this machine's power switch on and off. If the reception interference disappears when the printer's power is turned off, it is likely that this machine is the cause of the interference.

If this is the case, try to eliminate it by performing any or a combination of the following procedures.

- Change the direction of the receiving antenna of your radio/television until there is no reception interference.
- Move the receiver away from the product.
- Plug the power cord of this machine into an outlet which is isolated from power circuits connected to the television set or radio.

### About usable ink

You can use aqueous solvent ink (SS21) and sublimation dye ink (Sb53/Sb54) for this machine.



- For usable ink, refer to P.6-4 "Ink specifications" and P.6-5 "Setting orders of ink cartridges".

Reproduction of this manual is strictly prohibited.  
All Rights Reserved. Copyright  
© 2016 MIMAKI ENGINEERING Co., Ltd.












# Safety Precautions

## Symbols

Symbols are used in this Operation Manual for safe operation and for prevention of damage to the machine. The indicated sign is different depending on the content of caution.

Symbols and their meanings are given below. Please follow these instructions as you read this manual.

### Examples of symbols

Meaning	
	Failure to observe the instructions given with this symbol can result in death or serious injuries to personnel. Be sure to read it carefully and use it properly.
	Failure to observe the instructions given with this symbol can result in injuries to personnel or damage to property.
	Important notes in use of this machine are given with this symbol. Understand the notes thoroughly to operate the machine properly.
	Useful information is given with this symbol. Refer to the information to operate the machine properly.
	Indicates the reference page for related contents.
	The symbol "  " indicates that the instructions must be observed as strictly as the CAUTION instructions (including DANGER and WARNING instructions). A sign representing a precaution (the sign shown at left warns of hazardous voltage) is shown in the triangle.
	The symbol "  " indicates that the action shown is prohibited. A sign representing a prohibited action (the sign shown at left prohibits disassembly) is shown in or around the circle.
	The symbol "  " indicates that the action shown must be taken without fail or the instructions must be observed without fail. A sign representing a particular instruction (the sign shown at left instructs to unplug the cable from the wall outlet) is shown in the circle.

## Warning for Use

### WARNING



- The set of power cables provided with this machine is for use with this machine only. It cannot be used with other electrical devices. Do not use any power cables other than the ones provided with the machine. It may cause a fire or electric shock.
- Do not damage, break or work upon the power cable. If a heavy material is placed on the power cable, or if it is heated or pulled, the power cable may be damaged, resulting in fire or electric shocks.
- Avoid use in humid places. Also, do not pour water on the unit. It may cause a fire, electric shock, or malfunction.
- Use of the machine under an abnormal condition where it produces smoke or strange smell can result in fire or electric shocks. Be sure to turn off the power switch immediately and unplug the cable from the power outlet. Check first that the machine no longer produces smoke, and then contact your distributor or our sales office for repair.
- Never disassemble or modify your machine or ink cartridge by yourself. It may cause an electric shock or malfunction.
- Do not use extension cables. It may cause a fire or electric shock.
- Keep the power plug prong clear of any foreign object such as a piece of metal. It may cause a fire or electric shock.
- Do not use multi-outlet extension. It may cause a fire or electric shock.
- If the power cable is damaged or the core wire is exposed or broken, ask your service representative to replace it. Using it as it is may cause a fire or electric shock.
- Do not handle the power plug with wet hands. It may cause an electric shock.
- Grasp by holding the plug itself when removing the power plug from power outlet. Do not pull the power cable. The cable may be damaged, resulting in a fire or electric shock.
- Do not use a voltage other than the displayed. It may cause a fire or electric shock.
- Do not use a power frequency other than the indicated. It may cause a fire or electric shock.
- If a foreign object such as metal, water, or liquid enters this machine, turn it off immediately. After that, be sure to remove the power plug from the outlet and contact your service representative. Using it as it is may cause a fire or electric shock.
- If ink leaks, turn off the main power switch, disconnect the power plug, and contact your local distributor, our sales office, or call center.
- Make sure that dust and dirt do not adhere to the heater on the media transport surface. It may cause a fire or electric shock.




- Keep children away from this machine.



- Since solvent ink may ignite, do not use fire in the place where the machine is used.


**⚠ WARNING**

-  Do not use a flammable spray or solvent inside or around the machine. It may cause a fire or electric shock due to ignition.
- Do not place containers or small metal objects containing vases, flower pots, cups, cosmetics, medicines, water, etc. on or near the machine. If it spills or gets inside, it may cause a fire or electric shock.


## Precautions in Use

**⚠ CAUTION**



**Handling of the power cable**

-  Connect to a socket-outlet with determinate polarity.
- For Inlet 1 and 2, be sure to supply power from the outlet of the same voltage.
- Be sure to connect it to a power outlet near the machine so that it can be easily removed.
- Unplug the cable from the power outlet and clean the blade of the plug and the surrounding area, at least once a year. If dust accumulates, it may cause a fire.
- Do not use a voltage other than the displayed.
- Check the voltage of the power outlet and the capacity of the circuit breaker before you plug the power cable. Plug each power cable to different outlet that has independent circuit breaker. If you plug more than one power cable to power outlets that share the same circuit breaker, the power may be cut off by the breaker.


**Power supply**

-  Leave the breaker turned ON at all times.
- Do not turn off the main power switch on the right side.

**Note on maintenance**


-  Pay close attention to ventilation and be sure to wear the included safety glasses and gloves provided, and the filtering face mask, when handling ink, maintenance cleaning solution, waste ink, or other solutions used in this machine. Failure to do so may result in ink or other liquids splashing and coming into contact with the skin, eyes, or mouth.
-  Gloves are consumables. Use a commercial product when the attached gloves are used up.

**Be careful with the movable parts**


-  Keep fingers and other parts of the body away from dangerous moving parts.
- Do not touch the rolling grit roller; otherwise, you may hurt your fingers or tear off your finger nails.
- Keep your head and hands away from any moving parts during cutting operation; otherwise, you may get your hair caught in the machine or get injuries.
- Wear proper clothes. (Do not wear loose-fit clothes or accessories). Bind a long hair.

**⚠ CAUTION**


**Caution with heater**

-  Do not spill liquid on the Media Transfer Surface as this may cause failure of the heater or firing.
- Do not touch Media Transfer Surface heaters with a bare hand while the heater is hot; otherwise, you can get burned.


**Handling of ink**

-  There are precautionary notes on ink on the ink cartridge. Read it carefully and fully understand it before using it.
- Before using ink and cleaning solution, be sure to read the Safety Data Sheet (SDS).
- Keep ink away from fire. Also, be sure that the room is well ventilated when using or handling ink.
- Immediately wipe off any ink, maintenance washing liquid, waste ink, or other liquid used with the product that contacts your skin. Wash using soap and rinse with plenty of water. Failure to wash off liquid may result in skin inflammation. If your skin becomes irritated or painful, seek medical attention immediately.
- If ink, maintenance washing liquid, waste ink, or any other liquid used in the product comes into contact with your eyes, rinse immediately with plenty of clean water. Rinse for at least 15 minutes. If you wear contact lenses and they can be easily removed, remove after rinsing for at least 15 minutes with clean water. Be sure to rinse the undersides of your eyelids. Failure to rinse off liquid may result in blindness or impaired vision. If your eyes become irritated or painful, seek medical attention immediately.
- If ink, maintenance washing liquid, waste ink, or any other liquid used in the product enters your mouth or is swallowed, gargle with water immediately. Do not induce vomiting. Seek medical attention promptly. Inducing vomiting may cause liquid to enter the airway.
- If a large amount of vapor is inhaled, move to a well-ventilated area, keep warm, and rest in a posture that allows easy breathing. If the condition does not improve, seek medical attention promptly.

**Notes on handling media**

-  When setting the roll media, set it by two or more people. The weight of the roll media may hurt your back.
- When changing media, be careful not to get your fingers caught or injured.
- There is a media cutter inside the machine. When replacing or replenishing media or removing a media jam, do not touch anything other than the locations specified in this manual. It may cause injury.

**Caution with cutters**

-  Do not touch the cutter blade, which is very sharp.
- Store the cutter blade in a place that is out of the reach of children. In addition, dispose of used cutter blades according to regional laws and regulations.

**CAUTION**

**Notes When Handling the Main Unit**



- Do not use in poorly ventilated or sealed rooms.
- Provide sufficient ventilation when using.
- Contact your service representative for cleaning inside the unit. If dust is accumulated inside the projector and it is not cleaned for a long time, it may cause a fire or malfunction.

**CAUTIONS and NOTES**

**WARNING**

**Clump lever**

- Do not raise the clamp lever during printing. Printing will end.

**Periodic replacement parts**

- Some parts of this machine must be replaced with a new one regularly. In order to use the machine for a long time, be sure to subscribe to an annual maintenance contract.

**Notes on maintenance**

- Use in a room with as little dust as possible.
- Dust can also cause ink drops to fall from the head to the media during printing. In this case, clean around the head.
- Clean the capping station and wiper frequently (removal of dust and paper powder).
- Keep the front cover closed even when not printing. Dust may accumulate on the head nozzles.

**Handling of ink cartridges**

- Safety is evaluated by our recommended ink. Please use our recommended ink for safe use.
- If the ink cartridge is moved from a cold place to a warm place, leave it in the room temperature for three hours or more before using it.
- Open the ink cartridge just before installation. If the ink is left open for a long time, normal printing performance may not be ensured.
- Make sure to store ink cartridges in a cool and dark place.
- Keep ink cartridges and waste ink tank out of reach of children.
- Be sure to thoroughly consume the ink cartridge within 3 months after opening it. If it has passed for a long time after opening, the print quality would be poor.
- When you no longer need ink cartridges, ink packs, and waste ink, please hand them over to your distributor or service representative. If you dispose them by yourself, please follow the regulations stipulated by the industrial waste disposer or the local regulations of each country.
- Do not hit the ink cartridge strongly or shake it violently. Ink may leak from the cartridge.
- Do not refill ink in the ink pack or ink cartridge. We are not responsible for any problems caused by using refilled ink.
- Do not touch or stain the contact area of the ink cartridge PCB. It may cause a PCB failure.
- Make sure that you shake the white and silver ink cartridges several times before printing.

**WARNING**

**Handling of media**

- Use recommended media.  
Use our recommended media to print with stable and high image quality.
- Pay attention to the expansion and contraction of the media.  
Do not use media that has just been opened. The media may expand and contract depending on the room temperature and humidity. Open the package and expose it to the place of use for at least 30 minutes before attaching it to the unit.
- Do not use curled media.  
In addition to causing media jams, it also affects the image quality.  
Also, use media with tight curls after removing the curls. If a regular-sized coated sheet of media is rolled and stored, the coated side has to face outside.
- Be careful to dusts on the edge face of the media.  
Some rolls have dusts contained in the package gathered on the edge surface of the roll. If you use as it is, the drawing quality may be degraded due to nozzle missing or ink drops. Be sure to set the roll after removing dusts adhering on the edge face of the roll.
- Set the heater temperature according to the characteristics of the media. (Heater-equipped machine)
- Set the temperature of the Pre-heater, Print heater and Post-heater according to the media type and characteristics. In addition, there is a method to specify the automatic temperature setting from the operation panel by specifying the profile from the dedicated RIP. Refer to the instruction manual of your RIP for the specification method. (Heater-equipped machine)
- Do not leave the media on for a long time with the heater ON. (Heater-equipped machine)




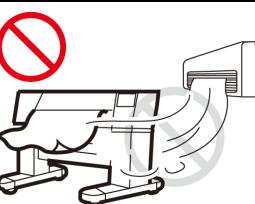

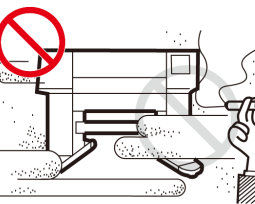
**Protection of media from dust**

- Store media in a bag. Wiping off dust accumulated on media will adversely affect the media due to static electricity.
- When leaving the workshop after the working hours, do not leave any media on the roll hanger. Dust will adhere on the media.

**Disposition of this machine**

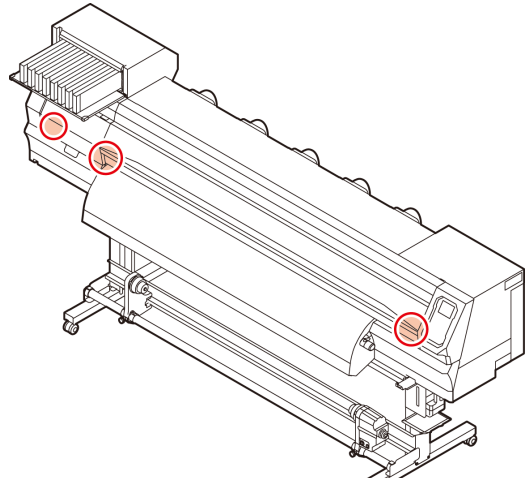
- Consult your sales or service representative for proper disposal of this machine. Otherwise, commission an industrial waste disposal company.

**Cautions on Installation**

<b>⚠ CAUTION</b>	
A place exposed to direct sunlight	On an inclined surface
	
A place that vibrates	A place exposed to direct air flow from an air conditioner or the like.
	
A place where temperature or humidity varies significantly	Around a place where fire is used
<div style="text-align: center;"></div> <ul style="list-style-type: none"> <li>• Use the machine under the following environmental conditions:</li> <li>• Operating environment: 20 to 30 °C (68 to 86 °F) 35 to 65 % (Rh)</li> </ul>	

**Safety interlock**

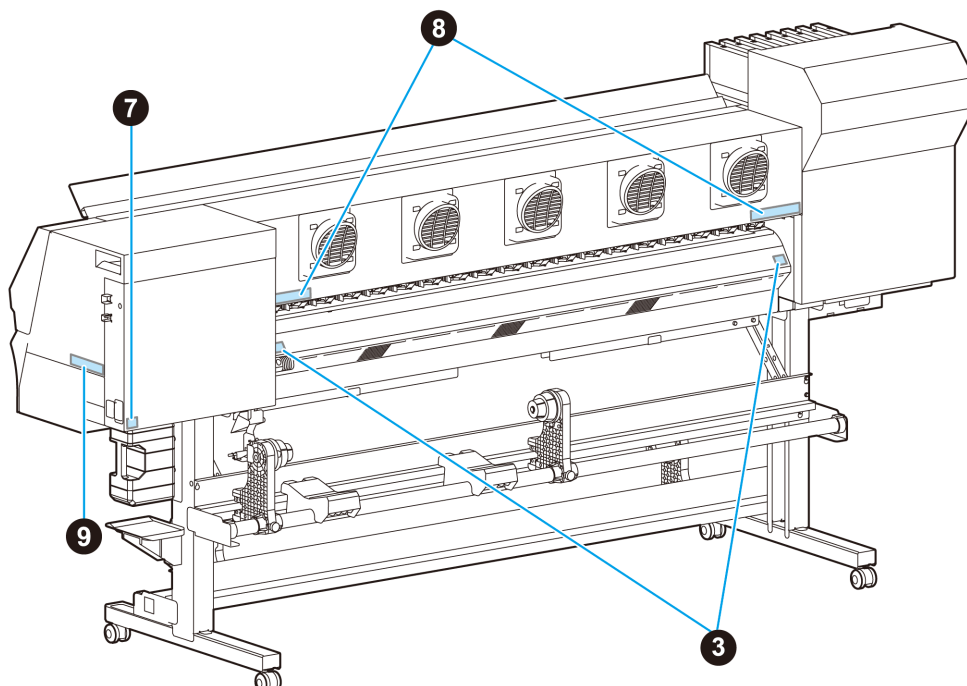
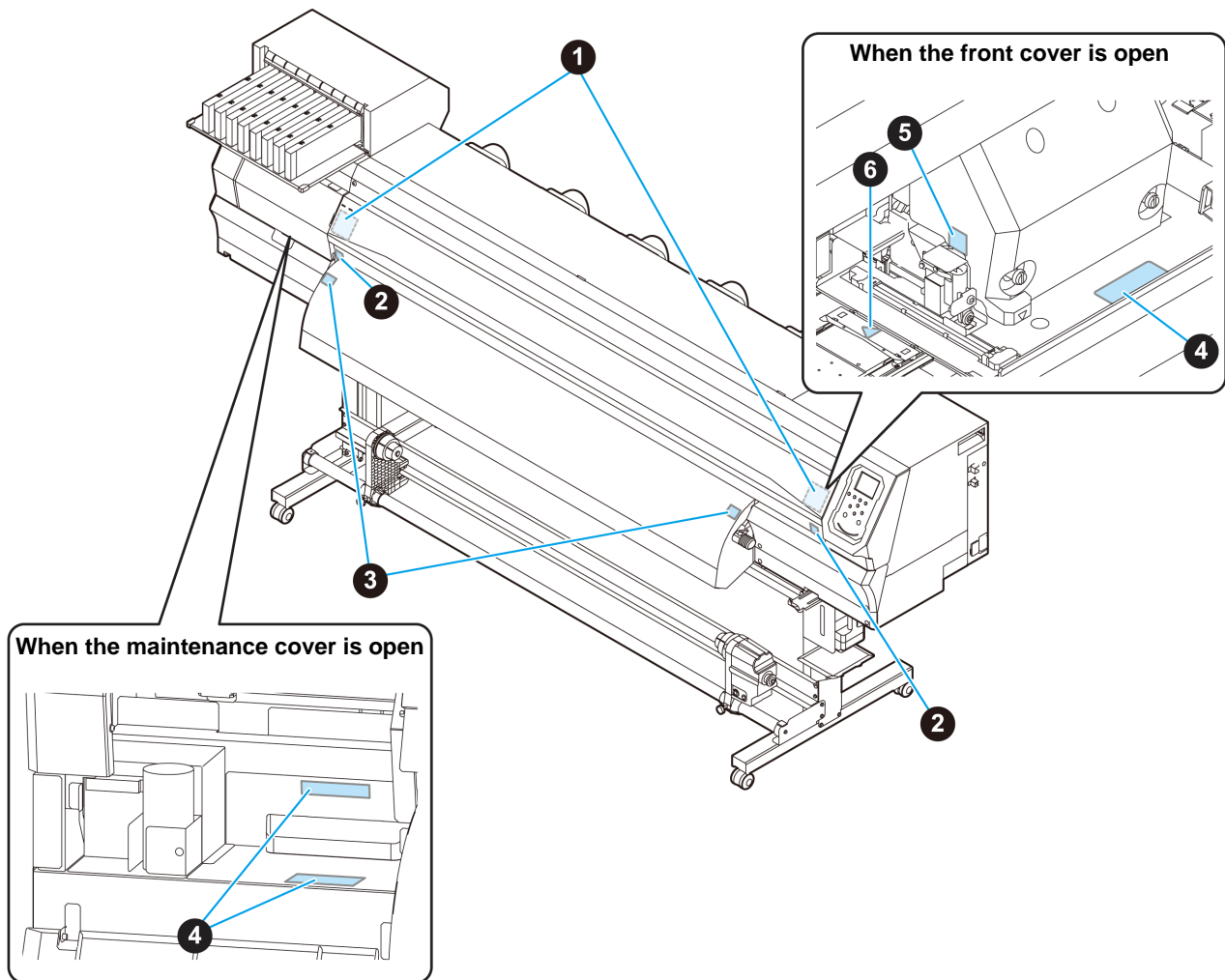
This machine is equipped with interlocks to terminate the operation for your safety when the cover opens during printing etc. (red circle parts in the figure below).









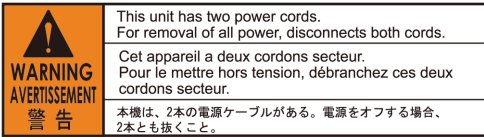




# Warning labels

Warning labels are stuck on the machine. Be sure to fully understand the warning given on the labels. If a warning label is illegible due to stains or has come off, purchase a new one from a distributor or our sales office.



No.	Reorder	Label
1	M910931	 <p><b>CAUTION</b> <b>ATTENTION</b></p> <p><b>COVER HAZARD</b> May result in severe injury. When open and close the cover, hold a cover until the end.</p> <p><b>COUVERCLE-DANGER</b> Peut entraîner de graves blessures. Lors de l'ouverture ou de la fermeture du couvercle, tenir le couvercle jusqu'à la fin.</p> <p>カバー急落下あり 指を挟まれると、ケガや骨折の恐れあり。 カバーの開閉は、最後まで手を添えて行ってください。</p> <p>M910931</p>
2	M907833	
3	M903239	
4	M903330	
5	M903405	
6	M906144	
7	M907935	
8	M905811	 <p>▲ 警告 ▲ 警告 ▲ WARNING ▲ WAARSCHUWING ▲ AVERTISSEMENT</p> <p>手指和身体请勿靠近运转部位，以免造成危险 危険な稼働部 指や体を近づけないように -HAZARDOUS MOVING PARTS- Keep fingers and other body parts away. GEFÄHRLICHE BEWEGLICHE TEILE Finger und andere Körperteile fernhalten. PIÈCES MOBILES DANGEREUSES Doigts et autres parties du corps sont hors de portée.</p>
9	M906031	 <p><b>WARNING</b> <b>AVERTISSEMENT</b> 警告</p> <p>This unit has two power cords. For removal of all power, disconnects both cords.</p> <p>Cet appareil a deux cordons secteur. Pour le mettre hors tension, débranchez ces deux cordons secteur.</p> <p>本機は、2本の電源ケーブルがある。電源をオフする場合、2本とも抜くこと。</p>



# Chapter 1

## Before Use



### This chapter

describes the items required to understand before use, such as the name of each part of the machine or the installation procedures.

Moving This Machine .....	1-2	Connecting USB2.0 Interface Cable .....	1-8
Where to Install This Machine .....	1-2	Connecting the power cable .....	1-9
Working Environmental Temperature .....	1-2	Inserting ink cartridges .....	1-10
Moving This Machine .....	1-2	Caution in handling of ink cartridges .....	1-10
Names of Parts and Functions.....	1-3	Inserting ink cartridges .....	1-10
Front Side of the Machine .....	1-3	Changing an ink cartridge .....	1-11
Rear Side and Right Side of the Machine ...	1-4	For Ink cartridge lamps .....	1-11
Operation Panel .....	1-5	Restrictions concerning the product .....	1-11
Media sensor .....	1-7	How to assemble ink 600ml ink cartridge ..	1-12
Carriage .....	1-7	Media .....	1-13
Cutter blade and slot for cutting .....	1-7	Usable sizes of media .....	1-13
Capping station .....	1-7	Caution in handling of medias .....	1-13
Pinch rollers and Feed rollers .....	1-7	Menu mode .....	1-14
Connecting Cables.....	1-8		
Connecting the LAN cable .....	1-8		

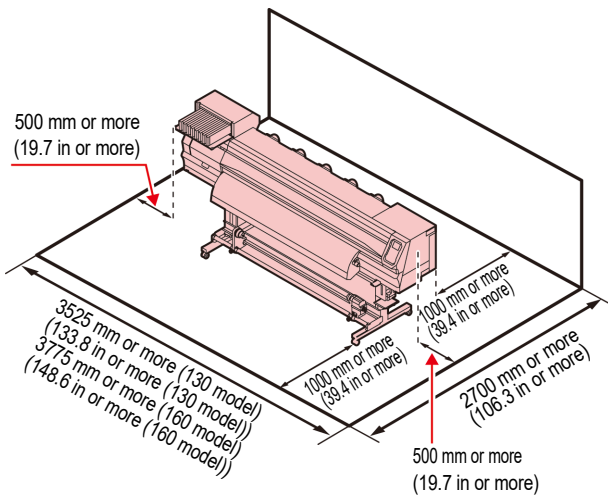
# Moving This Machine

## Where to Install This Machine

Secure a suitable installation space before assembling this machine.

The place of installation must have enough space for not only this machine itself, but also for the printing operation.

Model	Width	Depth	Height	Gross weight
JV300-130 JV300-130 Plus	2525mm (99.4in)	700mm (27.6in)	1392mm (54.8in)	170kg (374.8 lb)
JV300-160 JV300-160 Plus	2775mm (109.3in)	700mm (27.6in)	1392mm (54.8in)	200kg (440.9 lb)



## Working Environmental Temperature

Use this machine in an environment of 20 to 30°C to ensure reliable printing.

## Moving This Machine

Move this machine according to the following steps when this machine needs to be moved on the same step-free floor.



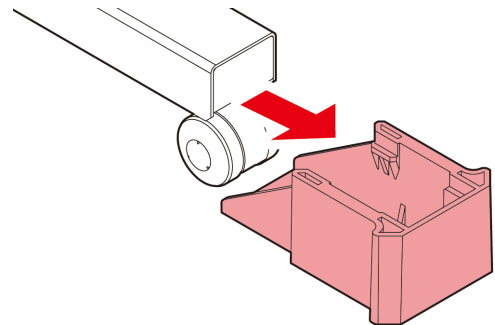
- When the machine is moved to any place other than on the same step-free floor, contact your distributor or our service office. If you move it by yourself, failure or damage may occur. Be sure to request your distributor or our service office to move this machine.



- When moving this machine, take care that it does not receive a significant impact.
- Be sure to lock the casters after moving of this machine.

**1**

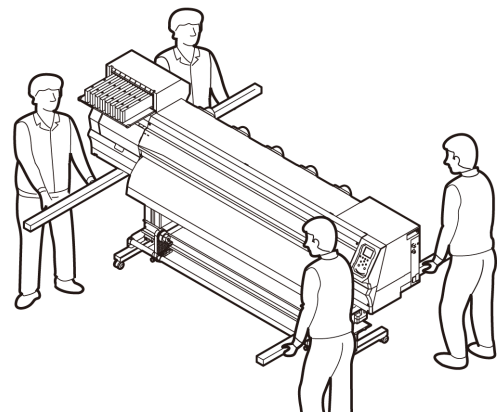
**Remove the caster blocks.**



**2**

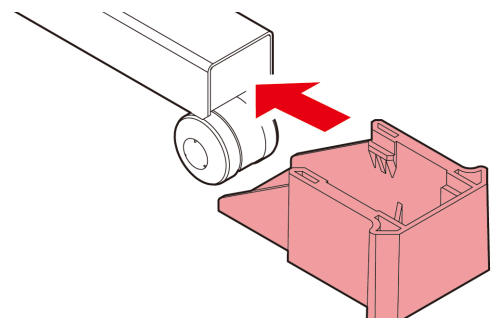
**Move this machine as shown in the figure.**

- For safety, be sure to operate it with 4 people or more.
- Do not push the cover to move this machine since the cover may be broken.



**3**

**Reinstall the caster blocks.**



# Names of Parts and Functions

## Front Side of the Machine

### Maintenance cover (upper)

Open the cover in maintenance.  
Even when the power switch is off, keep all covers closed.

### Ink cartridges

Each cartridge contains an ink of a particular color.

### Cartridge protection cover

This prevents an injury or breakage of the machine due to a protrusion of the ink cartridge. (It is located under the ink cartridge.)

### Front cover

Open the cover in setting of medias, taking of measures against jamming of medias or in maintenance inside the station.  
Even when the power switch is off, keep this cover and the other covers closed.

### Clamp lever (front)

Moves the pinch rollers up and down to hold or release the media.

### Carriage

Move the print head unit from side to side.

### Operation panel

This panel has the operation keys required for operating the machine and the LCDs for displaying setting items, etc.

### CleaningSolutionCartridge slot

Insert the cleaning solution cartridge.

### Waste ink tank

Waste ink gathers in this tank.

### Stand

Supports the main body of the machine. It is provided with casters that are used to move this machine.

### Take-up device

Automatically winds up the roll media printed.

### Maintenance cover (lower)

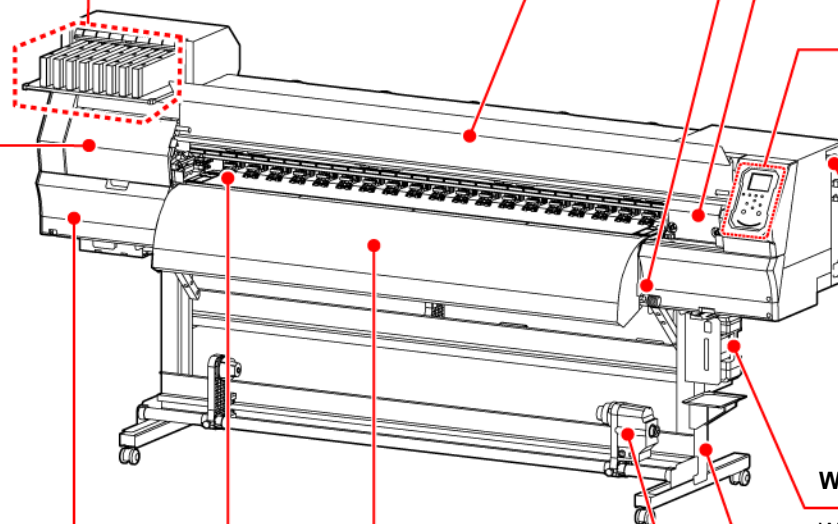
Open the cover in maintenance.  
Even when the power switch is off, keep all covers closed.

### Post-heater

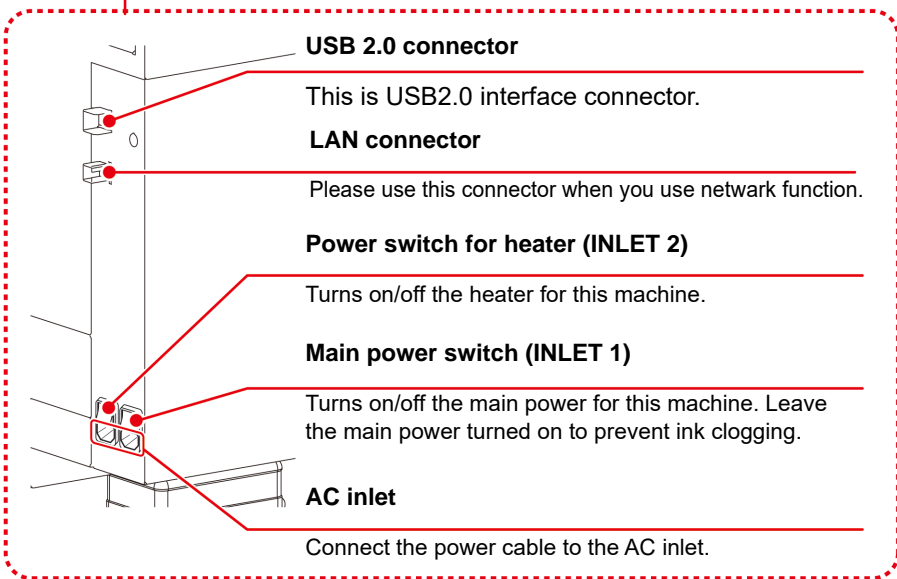
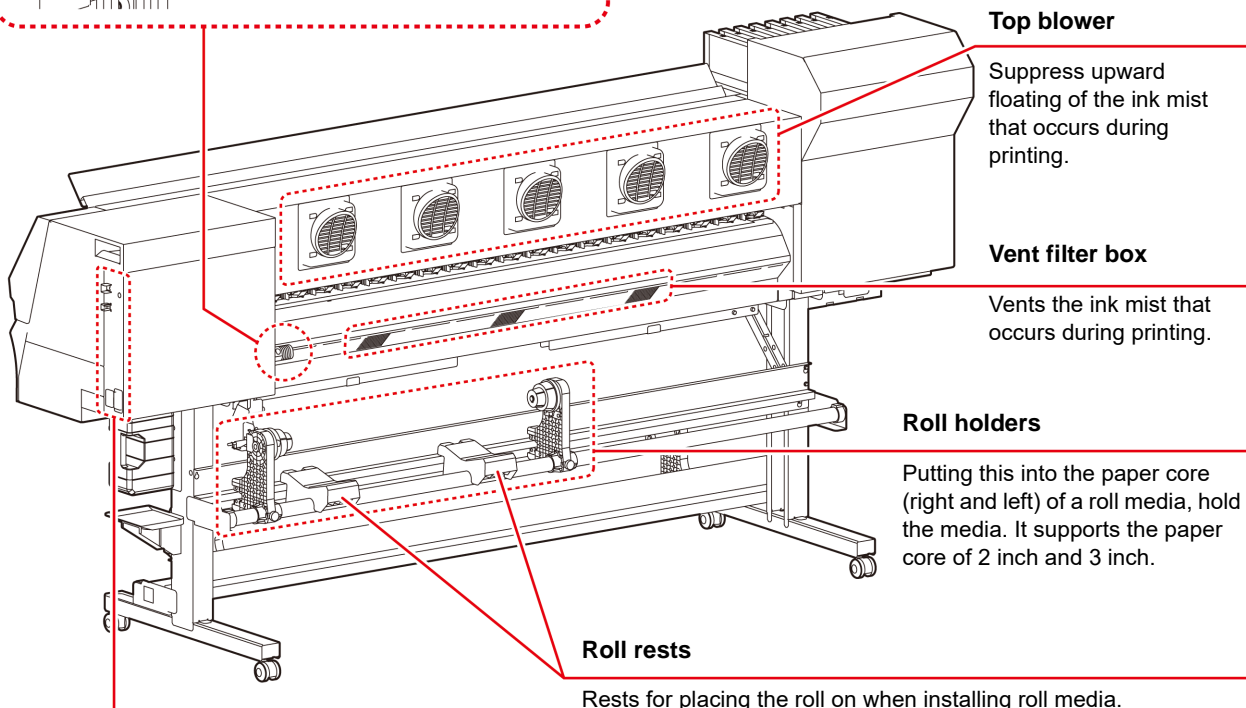
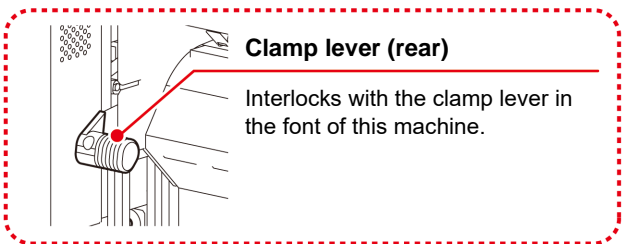
Dries ink after printing.

### Platen

Print area.



**Rear Side and Right Side of the Machine**



## Operation Panel

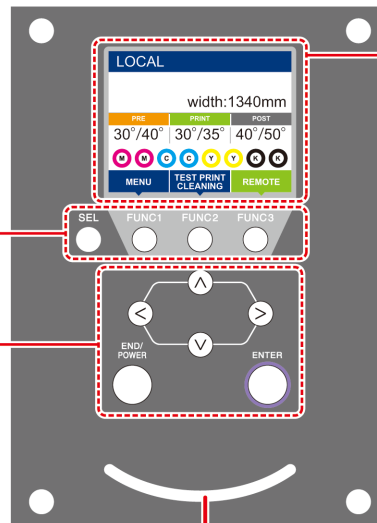
Use the operation panel to make settings for printing or operate this machine.

### SEL key

Changes over the functions of the function keys ([FUNC1]–[FUNC3]).

### [FUNC1] / [FUNC2] / [FUNC3] key

Press this to set various functions or to do test printing. The function keys' functions are changed each time [SEL] key is pressed.



### Display

Displays the following items:

- Printer status
- Set media width
- Heater temperature (current temperature/set temperature)
- Ink status <sup>\*1</sup>
- Functions assigned to [FUNC1] to [FUNC3] <sup>\*2</sup>

### JOG key

Use these keys to shift the carriage or the media in [LOCAL]. Also use them to select an item of printing conditions.

### [END/POWER] key

Cancels the last input value or returns the setting menu to the immediate higher level of the hierarchy. Also, press this to turn the power on or off. (Give it a long press to turn the power off.)

### [ENTER] key

Registers the last input value as the setting value or goes to the immediate lower level of the hierarchy.

### Status indicator lamp

Indicates the machine's status (printing, error occurred, etc).

Condition of Lamp	Condition of machine
OFF	Machine is in LOCAL mode, no print data has been received, and no errors have occurred.
Lit steady Light blue	Switched to REMOTE mode.
Flashing Light blue	Currently printing.
	In test printing: printing a pattern stored inside the machine.
Lit steady blue	Print data still remains in the machine.
Flashing red	Error has occurred.
Lit steady red	Error (SYSTEM HALT) has occurred.



- The power switch under the operation panel lights in blue when the power is turned on, and off when the power switch is turned off. The ink clogging prevention function is periodically operated even when the power switch is OFF if the main power switch keeps being ON. (Auto maintenance function) P.1-4















## \*1 : Ink Status

Ink status (e.g., remaining ink levels) and ink errors are indicated by icons.

Icon	Details																		
	The ink remaining levels will be indicated with the nine types of the following icons. <table border="1" style="width: 100%; text-align: center;"> <tr> <td></td> <td></td> <td></td> <td></td> <td></td> <td></td> <td></td> <td></td> <td></td> </tr> <tr> <td>Ink full</td> <td>Approx. 1/8 used</td> <td>Approx. 1/4 used</td> <td>Approx. 3/8 used</td> <td>Approx. 1/2 used</td> <td>Approx. 5/8 used</td> <td>Approx. 3/4 used</td> <td>Approx. 7/8 used</td> <td>Near end</td> </tr> </table>										Ink full	Approx. 1/8 used	Approx. 1/4 used	Approx. 3/8 used	Approx. 1/2 used	Approx. 5/8 used	Approx. 3/4 used	Approx. 7/8 used	Near end
Ink full	Approx. 1/8 used	Approx. 1/4 used	Approx. 3/8 used	Approx. 1/2 used	Approx. 5/8 used	Approx. 3/4 used	Approx. 7/8 used	Near end											
	Displayed when ink near end. The remaining ink is little, so provide new ink.																		
	Displayed when ink end or ink error occurs. The printing cannot be performed.																		
	Displayed when the ink expiration date expires. Replace with new ink or use it up as soon as possible. It is possible to print.																		

## \*2 : Functions assigned to [FUNC1] to [FUNC3]

Contents of functions assigned to [FUNC1] to [FUNC3] are described below.

Icon	Contents
	Displays "MENU" for setting functions.
	Displays maintenance functions such as test print, cleaning, etc.
	Shifts to REMOTE from LOCAL and starts printing.
	Displays adjustment functions such as FEED COMP, DROP.POScorrect, etc.
	Sets the heater temperature.
	Executes data clear.
	Suspends printing in REMOTE and shifts to LOCAL.
	Executes media cut.
	When there are multiple items on the MENU screen or other screens, it moves to the previous page.
	When there are multiple items on the MENU screen or other screens, it moves to the next page.
	Used for completing confirmation when warning message has been displayed and so on.
	Used for turning functions OFF or cancelling them, for example, when turning heater settings OFF and so on.
	Some kind of setting or function is assigned. Operate according to the description of each function.
	Switches between enable/disable when selecting multiple items, for example, when selecting target head for cleaning and so on.

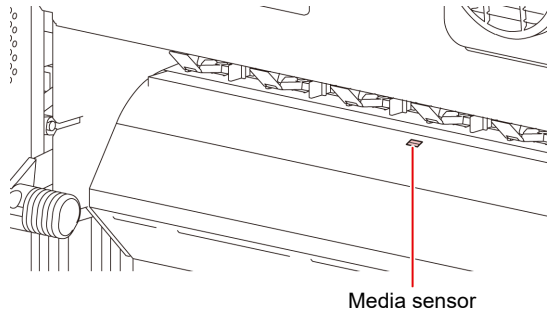


- The color of icons changes according to the state of the printer.
  - When the icon is green : The printer is in REMOTE mode.
  - When the icon is dark blue : The printer is in LOCAL mode.
  - When the icon is yellow : A warning has been issued.
  - When the icon is red : An error has been issued.

## Media sensor

The media sensor detects the presence of the media and the media length.

This machine has one media sensor on the platen (in the rear).



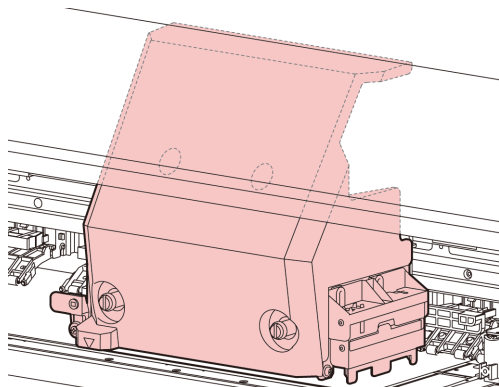
**Important!**

- When setting a media, be sure to cover the media sensors located on the rear of the platen. The media cannot be detected unless it is placed over the sensor.

## Carriage

The carriage is provided with the ink heads for printing, the cutter unit for cutting off the sheet of media, etc.

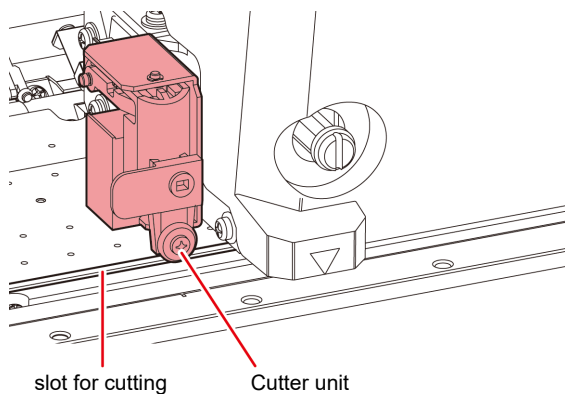
A lever is also provided to adjust the height of Head in 3 stages according to the thickness of media. (☞ P.2-4)



## Cutter blade and slot for cutting

The carriage is provided with a cutter unit for cutting off the media that has been printed on.

The cutter cuts off the sheet of media along the slot for cutting on the platen.



## Capping station

The capping station consists of the ink caps, the wiper for cleaning the heads, etc.

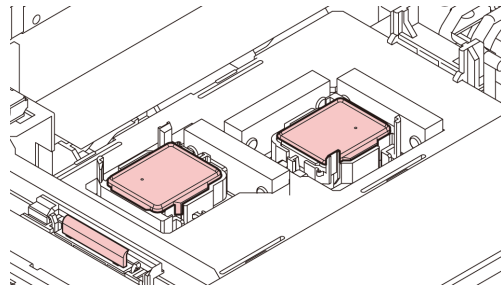
The ink caps prevent the nozzles in the ink heads from drying up.

The wiper cleans the nozzles in the heads.

The wiper is consumable. If the wiper is deformed or the media is stained, replace the wiper with a new one.



- Be sure to wear the attached safety glasses in cleaning within the capping station to protect your eyes against ink. Otherwise, you may get ink in your eyes.

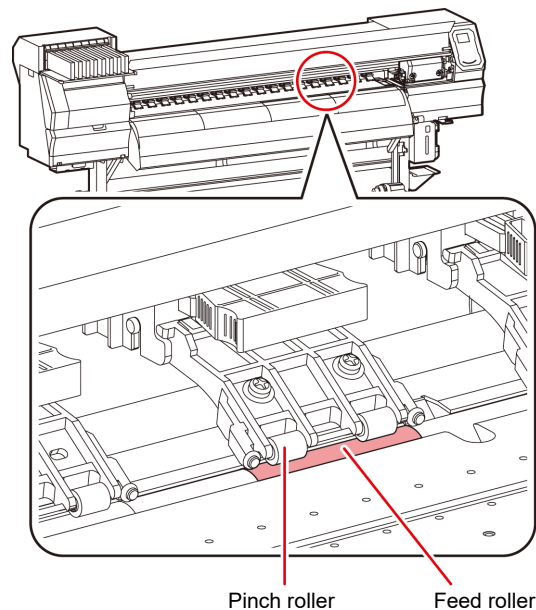


## Pinch rollers and Feed rollers

This machine retains the media with the pinch rollers and feed rollers. During printing operation, the feed rollers feed the media forward.

**Important!**

- Keep the pinch rollers lifted up when this machine is not in use. If the pinch rollers are left lowered for an extended period of time, they can be deformed and fail to securely retain the media.





# Connecting Cables

## Connecting the LAN cable

When connecting LAN cable, be sure to follow the note below:

- Surely insert LAN cable until clicking noise sounds.
- Do not plug in or unplug any cable during data transferring.

## Printing Via a Network

### ● Applicable model: Plus series

If printing via a network, you need to configure your network with the following environment.

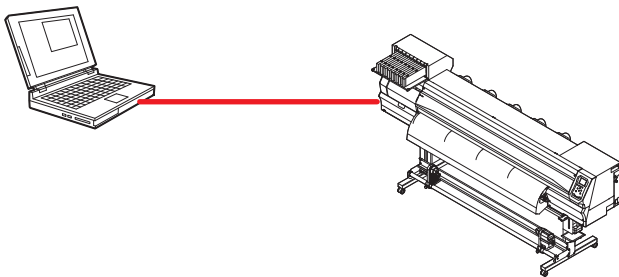
If you configure it with an inappropriate environment, it could cause printing to stop.

- Use LAN cables that are category 6 or higher.
- Use a switching hub and PC that support 1000BASE-T.

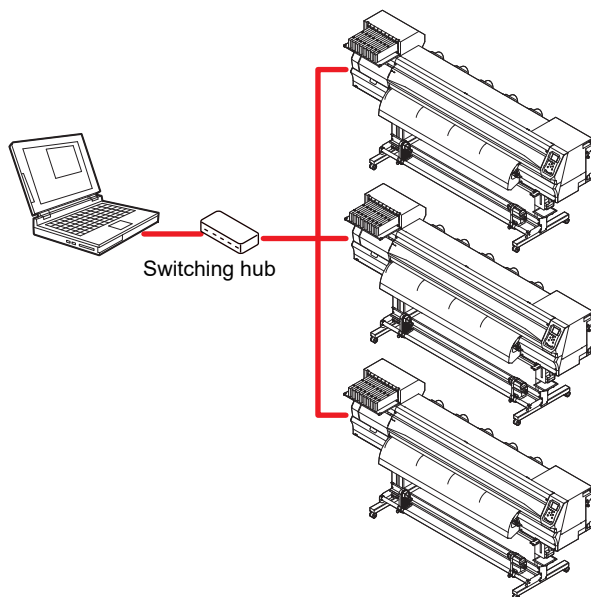


- Set the PC sending the print data and the printer to the same network.
- You cannot connect via a router.

### ● If connecting directly to the printer



### ● If connecting via a switching hub



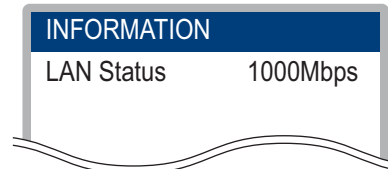
If the PC or device connected to the printer is not 1000BASE-T, you cannot perform printing. After connecting, check the following.

(1) Check the printer screen display.

- On the local screen or the media detection screen, press the [Enter] key several times to display the information screen.
- Check that "1000 Mbps" is displayed for the LAN status item.



- If "100 Mbps", "10 Mbps", or "No connect" is displayed, you cannot print using the LAN.
- If "100 Mbps" or "10 Mbps" is displayed, you can use event mail (Chapter 3 "Enable the event mail function").



(2) Check the green light of the LAN connector.

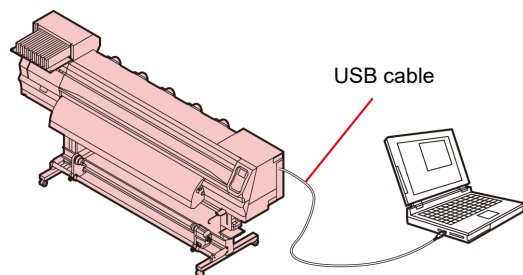
- After turning on the machine, the lamp for the LAN connector will light up as follows.

Color	State	Condition
Green	Lighting	Connected with 1000 BASE-T
	OFF	Connected without 1000 BASE-T
Yellow	Lighting	Link-up
	Blinking	Receiving data
	OFF	Link-down



- If the yellow light only lights up, or is blinking, the status is not 1000 Mbps. Check the specifications of the PC, device, and cables.

## Connecting USB2.0 Interface Cable



Connect the PC and this machine with the USB2.0 interface cable.



- Your RIP must be compatible with USB 2.0.
- Contact a RIP maker near your location or our office when the USB2.0 interface is not attached to the PC.

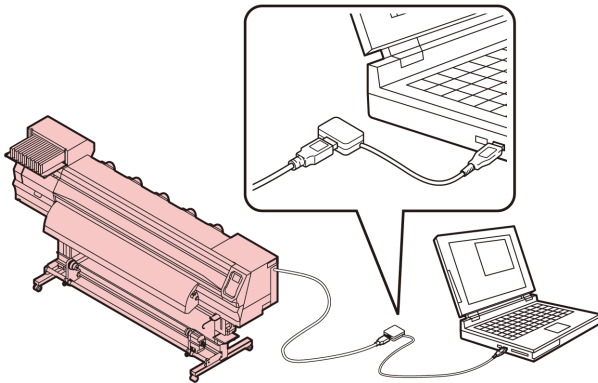


## Notes on USB 2.0 Interface

**Important!** • Your RIP must be compatible with USB 2.0.

### ● When two or more JV300 machines are connected to one personal computer

When two or more JV300 machines are connected to one personal computer, the personal computer may not recognize all the JV300 machines normally. Reconnect the unrecognized JV300 machine to another USB port, if available, and check to see if it is recognized. If the JV300 machine is not recognized by the newly connected USB port, use USB 2.0 repeater cables available on the market.



### ● Notes on peripheral devices in USB high speed mode

When a peripheral device (USB memory or USB HDD) to be operated in USB high speed mode is connected to the same personal computer that a JV300 machine is connected to, the USB device may not be recognized.

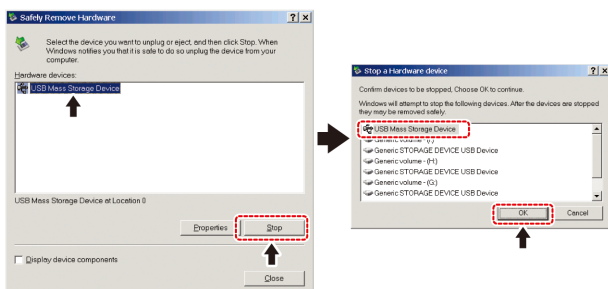
When JV300 is connected to the personal computer to which an external HDD is connected via USB, the speed of data output to JV300 may drop. That can cause the head unit to stop temporarily at the right or left end during printing.

### ● Removing USB memory

If a USB memory module is inserted in the personal computer to which a JV300 machine is connected, click "Stop" in the "Safely Remove Hardware" window by following the instructions given there first and then remove the module.

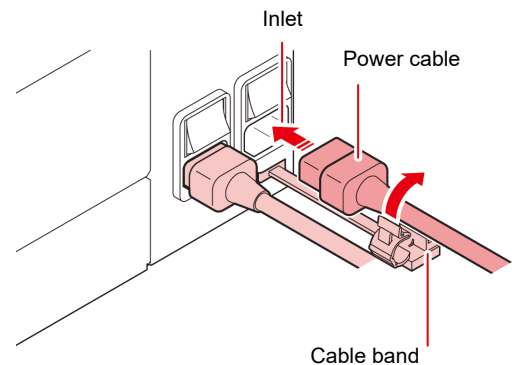
Leaving a USB memory module inserted can cause [ERROR 10 COMMAND ERROR].

Copy the data onto the hard disk before outputting it for printing.



## Connecting the power cable

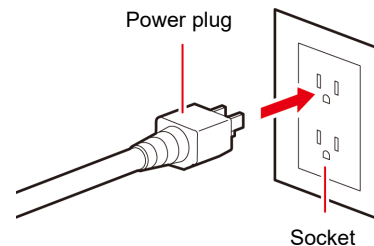
### 1 Insert the power cable into an inlet of the machine.



### 2 Secure a cable band.

- Secure the cable with the cable band attached to this machine.

### 3 Insert the power plug into a plug socket.



- Do not use any power cables other than the attached power cable.



- Be sure to connect the power cable to the outlet near this machine, and make sure that the power cable can be easily removed.
- Connect the power cable to the grounded outlet. Otherwise, it may result in fire or an electric shock.

# Inserting ink cartridges

## Caution in handling of ink cartridges



- There are precautionary notes on ink on the ink cartridge. Read it carefully and fully understand it before using it.
- Before using ink and cleaning solution, be sure to read the Safety Data Sheet (SDS).
- Keep ink away from fire. Also, be sure that the room is well ventilated when using or handling ink.
- Immediately wipe off any ink, maintenance washing liquid, waste ink, or other liquid used with the product that contacts your skin. Wash using soap and rinse with plenty of water. Failure to wash off liquid may result in skin inflammation. If your skin becomes irritated or painful, seek medical attention immediately.
- If ink, maintenance washing liquid, waste ink, or any other liquid used in the product comes into contact with your eyes, rinse immediately with plenty of clean water. Rinse for at least 15 minutes. If you wear contact lenses and they can be easily removed, remove after rinsing for at least 15 minutes with clean water. Be sure to rinse the undersides of your eyelids. Failure to rinse off liquid may result in blindness or impaired vision. If your eyes become irritated or painful, seek medical attention immediately.
- If ink, maintenance washing liquid, waste ink, or any other liquid used in the product enters your mouth or is swallowed, gargle with water immediately. Do not induce vomiting. Seek medical attention promptly. Inducing vomiting may cause liquid to enter the airway.
- If a large amount of vapor is inhaled, move to a well-ventilated area, keep warm, and rest in a posture that allows easy breathing. If the condition does not improve, seek medical attention promptly.
- Safety is evaluated by our recommended ink. Please use our recommended ink for safe use.
- If the ink cartridge is moved from a cold place to a warm place, leave it in the room temperature for three hours or more before using it.
- Open the ink cartridge just before installation. If the ink is left open for a long time, normal printing performance may not be ensured.
- Make sure to store ink cartridges in a cool and dark place.
- Keep ink cartridges and waste ink tank out of reach of children.
- Be sure to thoroughly consume the ink cartridge within 3 months after opening it. If it has passed for a long time after opening, the print quality would be poor.
- When you no longer need ink cartridges, ink packs, and waste ink, please hand them over to your distributor or service representative. If you dispose them by yourself, please follow the regulations stipulated by the industrial waste disposer or the local regulations of each country.
- Make sure that you shake the white and silver ink cartridges several times before printing.



- Do not hit the ink cartridge strongly or shake it violently. Ink may leak from the cartridge.
- Do not refill ink in the ink pack or ink cartridge. We are not responsible for any problems caused by using refilled ink.
- Do not touch or stain the contact area of the ink cartridge PCB. It may cause a PCB failure.

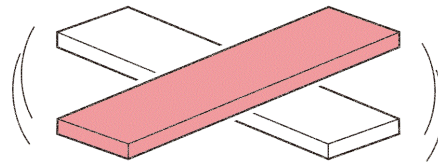


- Do not disassemble the ink cartridges.

## Inserting ink cartridges

### 1

Shake the ink cartridge as shown.



- When you use white ink:  
When 24 hours have passed with the power supply is ON, or, when the power supply is ON, the message is displayed.  
As the component of white ink is easy to settle out, it is necessary to shake it periodically.

Shake white cartridge

[ENT]

- When using orange ink:  
As orange ink components precipitates easily compared to the other colors, please shake the following cases.
  - Around once a week
  - 24 hours after the last printing
- If using a solvent ink (SS21/ES3) other than the above: Shake about once a month.
- If you use Sublimation dye inks (Sb53/Sb54) other than the above colors: Shake about once a week.

### ● When 600ml cartridge is used

To prevent ink from leaking when you shake the cartridge, wear gloves and firmly cover the A part of the upper surface of the cartridge and the B part of the bottom surface of the cartridge with paper towels. Then, shake it more than twenty times right and left so that ink flows inside the cartridge.



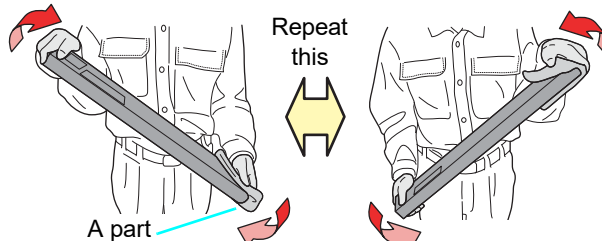
A part

(the place to stick a needle)



B part

(the slot on the bottom)



Repeat this

A part

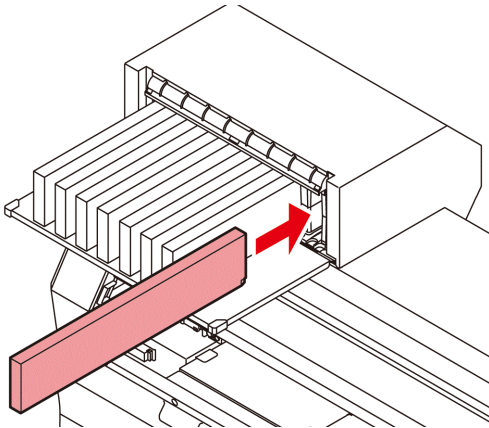
Cover with paper towel firmly and shake ink slowly



- If you shake it too strong, the pack inside may be damaged and it may cause ink leakage. Therefore, perform this carefully.
- If the remaining amount of ink is less, ink in the cartridge cannot be beaten enough. Tilt the cartridge until it becomes vertical.
- Shake the 2L ink pack in the same way. However, the MBIS (optional) must be attached and removed no more than 10 times in total.

## 2 Insert the ink cartridge.

- Insert the ink cartridge lengthwise with the surface having ink IC chips pointing to the left side.



- Colors are displayed on the display as follows. Black: K, Cyan: C, Magenta: M, Yellow: Y, Blue: B, Light cyan: c, Light magenta: m, Light blue: b
- For ink cartridge setting order, refer to P.6-5 "Setting orders of ink cartridges".

## Changing an ink cartridge

Perform as follows when [INK END] or [INK NEAR END] is displayed on the display.

### ● When [INK END] is displayed

- (1) Pull out an ink cartridge to be replaced.
- (2) Insert a new ink cartridge, paying attention to the direction of ink IC chip.

### ● When [INK NEAR END] is displayed

There is a little of ink left. It is recommended to replace the ink cartridge soon since ink may become empty in printing while printing is continuously enabled.

When you press the [FUNC1]-[ENTER] key in local mode, you can check the cartridge to be replaced in the information menu.

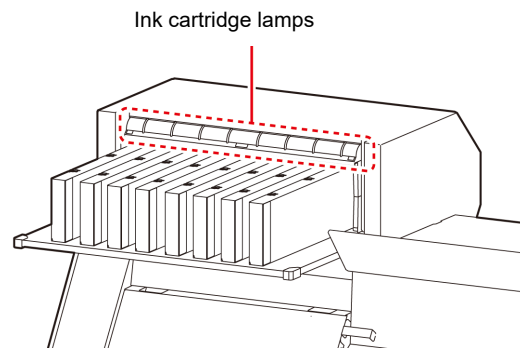
(☞ P.3-30)



- During [INK NEAR END] is displayed, Auto cleaning does not operate. (☞ P.3-10)
- If you are using a 600ml ink cartridge, be sure to change the ink IC chip when you changed the ink pack.

## For Ink cartridge lamps

The condition of the ink cartridges set in the machine is confirmable with lamps located over the ink cartridges.



Condition of Lamp	Description
Lit to green	No error (ink is being supplied)
OFF	No error
Lit or blinks to yellow	One of the following errors occurs. <ul style="list-style-type: none"> <li>• Ink near-end</li> <li>• Ink end</li> <li>• Expiration of a term of ink validity (one month)</li> </ul>
Blinks to red	Expiration of a term of ink validity (two months)
Lit to red	One of the following errors occurs. <ul style="list-style-type: none"> <li>• No ink left</li> <li>• No ink cartridge inserted</li> <li>• Other ink errors (☞ P.5-7)</li> </ul>

## Restrictions concerning the product

The ink expiration date is indicated on the Ink cartridge. Expired ink may cause printing defects or alter the color tone. Printing is possible even if the ink has passed its expiration date. Nevertheless, we recommend replacing with new ink or use up as quickly as possible.

Example: The expiration date is April.

May: Replace with new ink or use up as quickly as possible. Printing is possible.

June (Yellow lamp illuminated): Replace with new ink or use up as quickly as possible. Printing is possible.

July (Red lamp flashing): Printing is not possible.



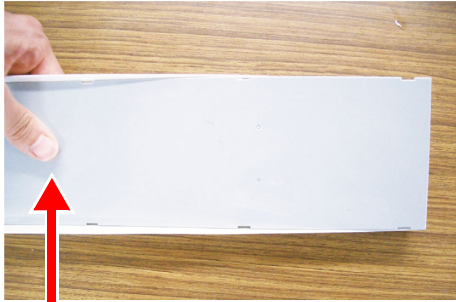
- The message appears on the display.

## How to assemble ink 600ml ink cartridge

Before setting the ink cartridge, it is required to set the ink pack on the eco cartridge. By following the next procedures, assemble the ink cartridge.

### 1 Open the cover of the eco cartridge.

- (1) Press the center part of the cover with your finger.
  - The claw on the side without attaching part of ink IC chip comes off.

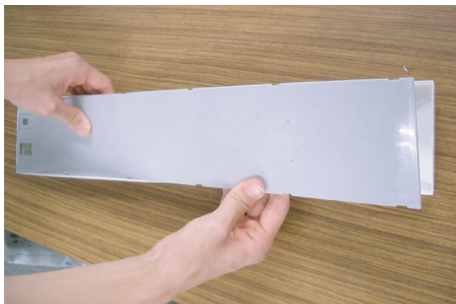


Press the center part with your finger.

- (2) Raise the cover as described in the photo.
  - At this time, the claw on the ink IC chip side does not come off.
  - Do not raise the cover forcedly so that you may not damage the claw.



- (3) Remove the remaining claw while pressing the cover as indicated in the photo, and remove the cover.



### 2 Set the ink pack on the eco case.

- (1) Turn the side with double coated tape downward and insert the stopper.
  - After inserting the stopper, push it firmly with your finger.



- (2) Peel the seal of double coated tape.



### 3 Firmly fix the ink pack on the eco case with double coated tape so that it may not move.

- Fix the ink pack after pulling it so that the ink pack may not go slack.



**Important!**

- Fix the ink pack so that it may not be biased in the eco case.

#### Good example



The corner of the case matches the ink pack corner.

#### Bad example



The ink pack has gone too far downward.



The ink pack goes slack in spots.



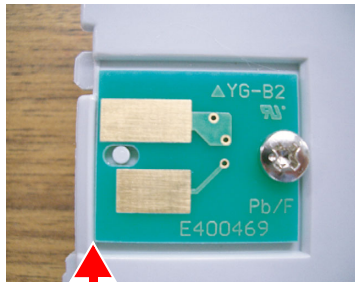
## 4 Attach the cover.

- Hang the claw on the ink IC chip side and then insert the cover into the case.



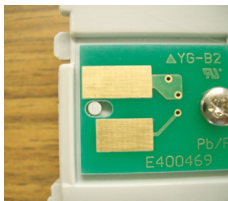
## 5 Attach the ink IC chip.

- Attach the ink IC chip as indicated in the photo.
- Attach it so that there is no gap in the part indicated with an arrow.

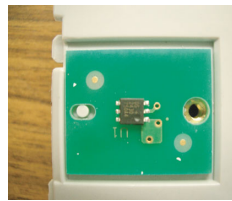


No gap shall be found.

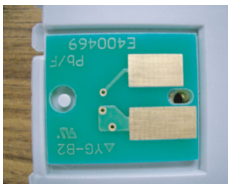
- Bad example of attaching ink IC chip



There is a gap.



The ins and the outs is reverse.



The back and the forth is reverse.

## 6 Registering weight of eco case.

- Register the eco case weight on this machine to calculate the remaining ink quantity from the weight of the 600 ml cartridge.



**Register the weight of the eco case in the following cases.**

- For using the 600 ml cartridge for the first time
  - When the case weight is changed by replacing the eco case.
- Important!**
- The weight of each eco case slightly differs respectively. To control accurate ink quantity, be sure to register the weight of each eco case.
  - For details on how to register the weight, refer to P.3-17 "When using 600 ml cartridge for the first time".

## Media

Usable media sizes and notes for handling are described.

### Usable sizes of media

Model	JV300-130	JV300-160	JV300-130 Plus	JV300-160 Plus
Type of Recommended media	Tarpaulin/ FF(Flexible Face)/ Weatherproof PVC			
Maximum width	1371mm (54.0 in)	1620mm (63.8 in)	1371mm (54.0 in)	1620mm (63.8 in)
Minimum width	210mm (8.3 in)	210mm (8.3 in)	210mm (8.3 in)	210mm (8.3 in)
Maximum printing width	1361mm (53.6 in)	1610mm (63.4 in) <sup>*1</sup>	1361mm (53.6 in)	1610mm (63.4 in) <sup>*1</sup>
Thickness	1.0mm(0.04 in ) or less			
Roll outside diameter	Paper media : Φ250mm(Φ9.8 in) or less  Other media : Φ210mm(Φ8.3 in) or less		When the media edge guide is not used: Paper media : Φ250mm(Φ9.8 in) or less Other media : Φ210mm(Φ8.3 in) or less When using the media edge guide: Φ200mm(Φ7.87 in) or less <sup>*2</sup>	
Roll weight	40kg(88.2 lb) or less		45kg(99.2lb) or less	
Roll inside diameter	3 or 2 inches			
Side printed	Side facing outward			
Roll end treatment	The roll end is gently fixed to the core with weak-adhesive tape or weak glue for easy removal.			

\*1. When "MARGIN(RIGHT/LEFT)" in the Setup menu has been set to the minimum (-10 mm).

\*2. φ200mm(Φ7.87 in) to 120mm(Φ4.73 in) or less (depending on the mounting position of the Media edge guide)

### Caution in handling of medias

Pay attention to the followings for handling of medias.



- Use recommended media.  
Use our recommended media to print with stable and high image quality.
- Pay attention to the expansion and contraction of the media.  
Do not use media that has just been opened. The media may expand and contract depending on the room temperature and humidity. Open the package and expose it to the place of use for at least 30 minutes before attaching it to the unit.
- Do not use curled media.  
In addition to causing media jams, it also affects the image quality.  
Also, use media with tight curls after removing the curls. If a regular-sized coated sheet of media is rolled and stored, the coated side has to face outside.
- Be careful to dusts on the edge face of the media.  
Some rolls have dusts contained in the package gathered on the edge surface of the roll. If you use as it is, the drawing quality may be degraded due to nozzle missing or ink drops. Be sure to set the roll after removing dusts adhering on the edge face of the roll.
- Be careful to dusts on the edge face of the media.  
Some rolls have dusts contained in the package gathered on the edge surface of the roll. If you use as it is, the drawing quality may be degraded due to nozzle missing or ink drops. Be sure to set the roll after removing dusts adhering on the edge face of the roll.

# Menu mode

This machine has 4 modes. Each menu mode is described below.

## NOT-READY mode

This is the mode in which the media has not been detected yet.

## LOCAL mode

Local mode is the mode for the drawing preparation state.

All the keys are effective.

The machine can receive data from the computer. However, it does not perform printing.

### Screen display in Local mode

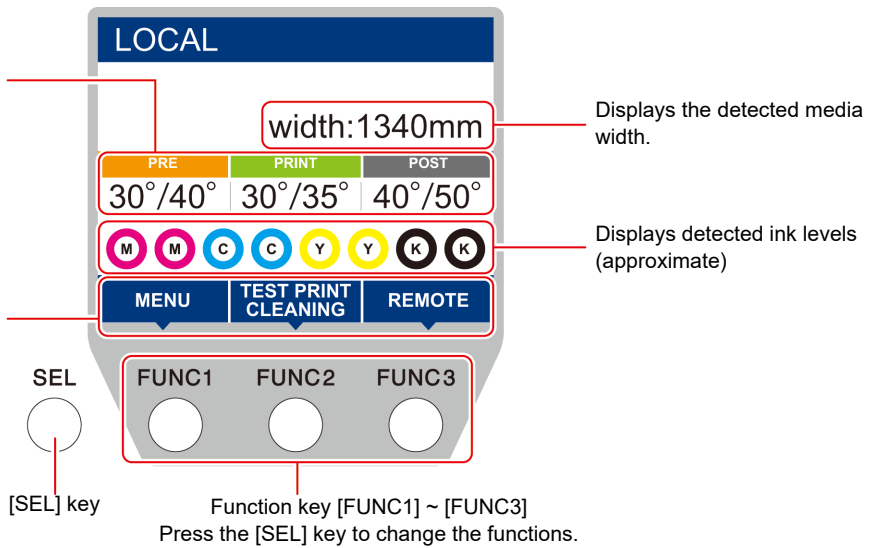
Displays the current heater temperature.

The color of the icon above the temperature display changes with the current heater status.

Orange : Temperature rising

Green : Set temperature reached

Displays the functions that have been set for the function keys [FUNC1] – [FUNC3].



This mode permits the following operations:

- Pressing the JOG keys to set up a drawing origin and drawing area.
- Pressing the [ENTER] key to check the remaining amount of ink, the description of the cartridge error, the model name, the firmware version, and so on.

## MENU mode

To set MENU mode, press the [FUNC1] key when this machine is in LOCAL mode.

In this mode, each function can be set.

## REMOTE mode

This machine prints the data it receives.

# Chapter 2

## Basic Operations



### This chapter

describes procedures and setting methods for ink and media preparation, and printing.

Workflow .....	2-2	for checking white ink .....	2-12
Turning the Power ON/OFF .....	2-3	Head Cleaning .....	2-13
Turning the Power ON .....	2-3	About head cleaning .....	2-13
Turning the Power OFF .....	2-3	Perform head cleaning depending on the	
Setting a Media .....	2-4	test printing result .....	2-13
Adjusting the Head Height .....	2-4	Setting of Media Correction .....	2-14
Setting a roll media .....	2-5	Setting of Media Correction .....	2-14
Media Edge Guide .....	2-7	If the Positions of Dots Shift... ..	2-14
Take-up device .....	2-8	Printing Data .....	2-15
Setting leaf media .....	2-9	Starting a Printing Operation .....	2-15
Changing the printing origin .....	2-10	Stopping a Printing Operation .....	2-15
Preparing for the Heaters .....	2-10	Deleting Received Data (Data Clear) .....	2-15
Changing the Temperature Settings for		Cutting a media .....	2-15
the Heaters .....	2-10		
Test Printing .....	2-11		
Test Printing .....	2-11		
Perform test printing with the normal test			
pattern .....	2-12		
Perform test printing with the test pattern			

## Workflow

**1** Turning the Power ON/OFF

Referring to “Turning the Power ON/OFF” (☞ P.2-3).

**2** Setting a Media

Referring to “Setting a Media” (☞ P.2-4).

**3** Test Printing

Referring to “Test Printing” (☞ P.2-11).

**4** Head Cleaning

Referring to “Head Cleaning” (☞ P.2-13).

**5** Printing Data

Referring to “Printing Data” (☞ P.2-15).



## Turning the Power ON/OFF

### Turning the Power ON

This machine is provided with the following two power switches:

#### Main power switch :

It is located on the side of this machine. Keep this switch ON all the time.

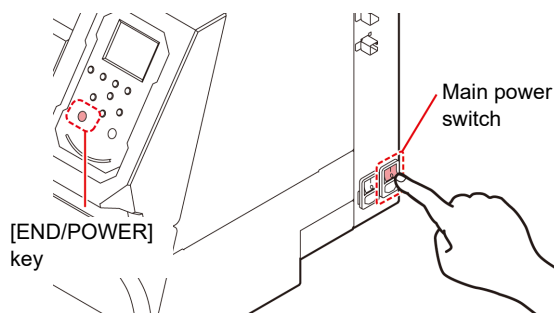
#### [END/POWER] key :

Normally, use this key to turn the power ON/OFF.

The nozzle clogging prevention function periodically operates even with the [END/POWER] key turned OFF when the main power switch is turned ON.

#### 1 Turn the main power switch ON.

- Set the main power switch located on the side of this machine to the "I" side.



- The firmware version is displayed when the power is turned ON, and then the machine performs its initial operation.

#### 2 Turn the power on, by pressing the [END/POWER] key.

- The machine enters LOCAL.

#### 3 Turn ON the power of the connected PC.

**Important!**

- Turn the power ON after the front cover and maintenance cover are closed.
- The head nozzle may result in nozzle clogging if the main power switch is left OFF for a long time.

### Turning the Power OFF

When having ended the operation of the machine, turn the power OFF by pressing the power switch located on the front side.

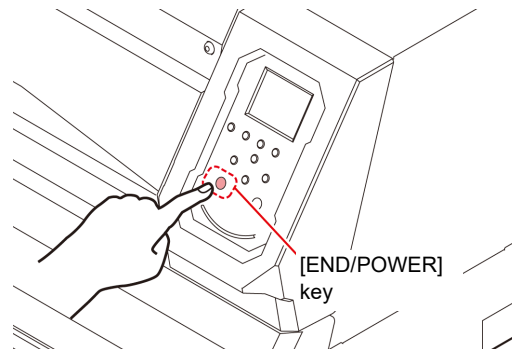
Check the following items when turning the power OFF.

- If the machine is receiving data from the PC or if there is any data that has not been output yet
- If the head has returned to the capping station
- If any error has occurred  
(☞ P.5-8 "Error messages")

#### 1 Turn OFF the power of the connected PC.

#### 2 Turn the power off, by giving the [END/POWER] key a long press.

- Do not turn OFF the main power switch located on the side of the machine.
- To use this machine again, press the [END/POWER] key .



### Cautions about Turning the Power OFF

#### ● Do not turn the main power switch OFF.

When the main power switch is ON, the power periodically turns ON and the nozzle clogging prevention function (flushing function) operates. When the main power switch has been turned OFF, the auto maintenance functions, such as flushing, do not operate, and this may cause nozzle clogging.

#### ● Keep the front cover and the maintenance cover closed.

If the cover is opened, the auto maintenance function such as the flushing function does not work.

#### ● Turn the power OFF after having checked the position of the head.

If the power is turned OFF in a state where the head has not returned to the capping station, the ink head dries, which may cause nozzle clogging.

In this case, turn the power ON again and check that the head has returned to the capping station, and then turn the power OFF.

#### ● Do not turn the power OFF during printing.

The head may not return to the capping station.

#### ● After having turned the power switch OFF by pressing [END/POWER] key, turn the main power switch OFF.

When turning the main power switch off for moving the machine or for solving the error or the like, press the [END/POWER] key a long time on the front of the machine, check the display is turned off on the operation panel, and then turn the main power switch off.

# Setting a Media

This machine can be used with a roll media and leaf media.

For usable medias, refer to P.1-13 "Usable sizes of media".

**Important!**

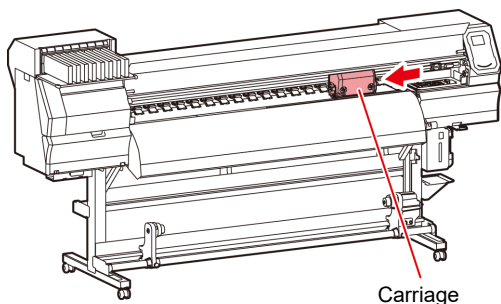
- Take care not to drop the media on your foot when setting the media. It may cause an injury due to the media.
- When setting a roll media, work by two or more people. Otherwise, you may hurt your back by the weight of the roll media.
- Adjust the head height prior to setting the media. If the head height is adjusted after the media is set, this may cause a media jamming, deterioration of the print quality or head damage.
- The range of the initial head height is adjustable by 2 levels according to the purpose of use.
- The range of the printing height of this machine is from L range (2 mm/3 mm) to H range (3 mm/4 mm). (Set to L range 2 mm at shipping)

## Adjusting the Head Height

Adjust the head height according to the thickness of the media you use.

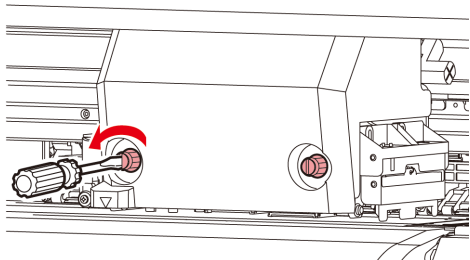
- 1 Move the carriage to the platen.**

  - When the machine is turned ON :Execute [ST.MAINTENANCE - CARRIAGE OUT] of the Maintenance functions. (P.4-8 Step1,2)
  - When the machine is turned off : Open the front cover, then move the carriage by hand.



- 2 Loosen the screw in front.**

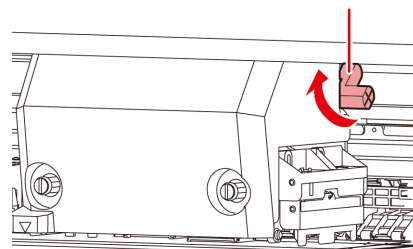
  - Loosen the screws, rotating each by one turn of a standard screwdriver.



- 3 Adjust the height-adjusting lever according to the media.**

  - Adjust the position of the lever, referring to P.2-4 "For the Adjusting Lever and the Range".
  - Set the height-adjusting lever to the highest stage or the lowest stage. Setting it to the intermediate height, a printing fault can result.

Height-adjusting lever

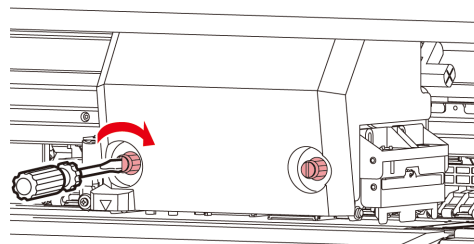


- 4 Fix the carriage.**

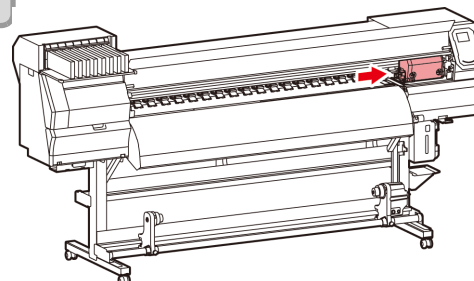
  - Fasten the screw securely.

**Important!**

  - Please do not press, and do not push up Height-adjusting lever up below when you tighten the screw when Height-adjusting lever is set to L range or H range.



- 5 Return the carriage to the station position.**



## For the Adjusting Lever and the Range

Range	Head height	Note
L range	2mm (The set position at shipping)	You can raise the base of the head height 1 to 2 mm higher. To do this, contact one of our sales representatives.
M range	2.5mm	
H range	3mm	



- Set the lever to "H range" when the media is prone to gather dust in the head or is often stained with ink traces.



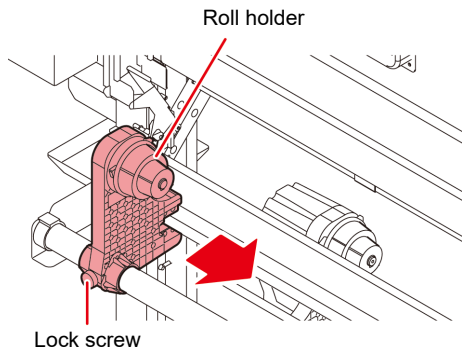
- When the ink is changed from dye ink to other aqueous ink, or on the contrary, after the machine is installed, the adjustment is required for the head initial height (H/L range). Consult with our sales office about it.

## Setting a roll media

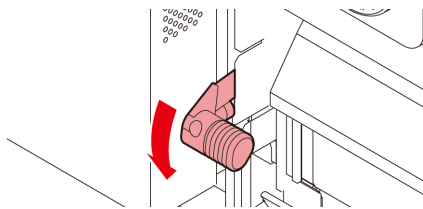
Set a roll media to the roll media hanger located on the back of this machine.

**1** Move the roll holder located in the back of the device to the direction of the middle of the device.

- Loosen the roll holder fixing screw and then move it.



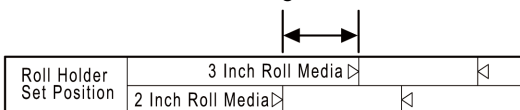
**2** Check the clamp lever is lowered.



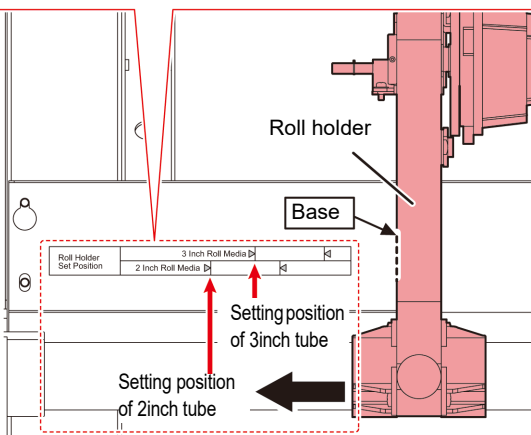
**3** Move the roll holder to the roll setting position.

- Check the roll stopper is not caught between the roll stopper arm and this machine.

Set the base position of roll holder within this range.



- There are two types of the internal diameter of the roll media paper tube: 2 inch and 3 inch.



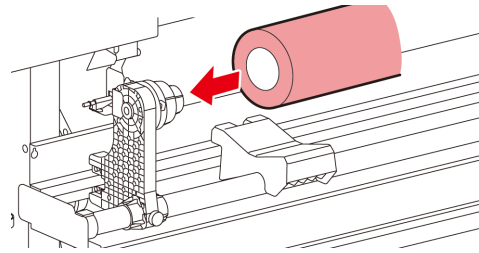
**Roll Holder Side (The back of this machine)**

**4** Tighten the roll holder fixing screw.

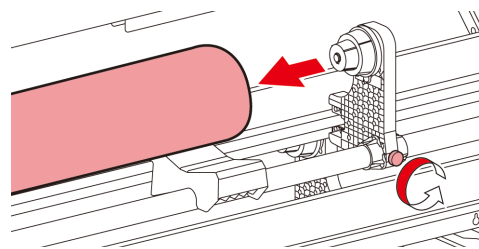
- Check the Step 2 to 3 again.

**5** Set the left end of the core of the roll media on the left roll holder.

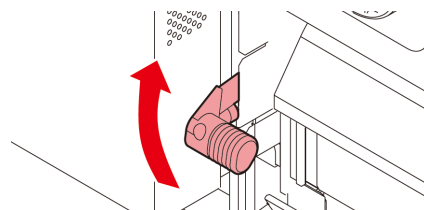
- Push the roll media onto the roll holder until the roll core is all the way seated.



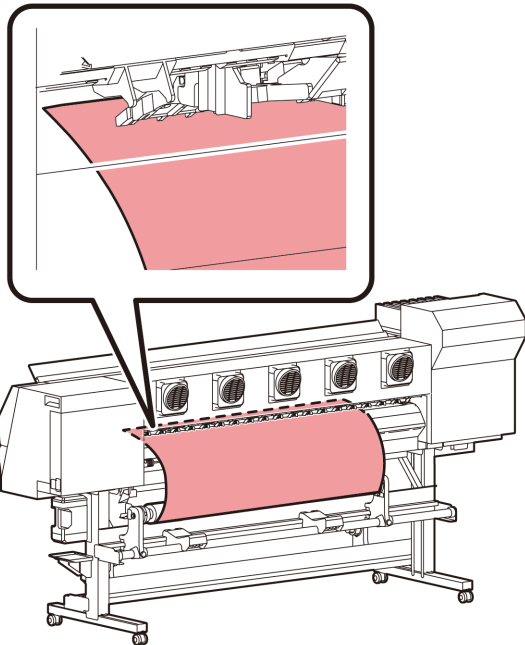
**6** Loosen the screw of the right side roll holder then insert the holder into the core of the roll media.



**7** Raise the clamp lever in the rear of this machine.



**8** Insert the roll media in this machine.

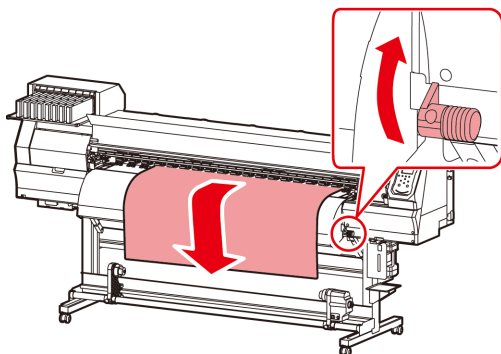


- The roll media can be smoothly inserted by slanting the media.

- (1) Pull the media out of the roll to the head of the platen.
- (2) Insert the media between the platen and the pinch roller.
  - Pull the media out of the roll so that the media can be grasped from the front of the machine.
- (3) Push down the clamp lever from the back of this machine.
  - The media is held.

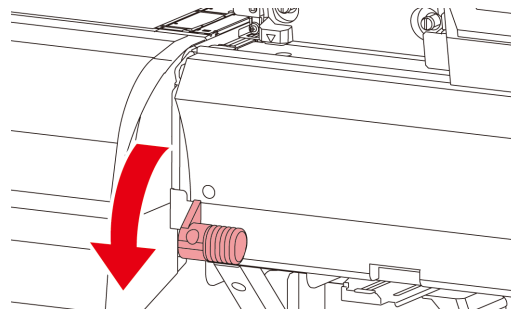
**9** Pull out the roll media out.

- (1) Open the front cover.
- (2) Raise the clamp lever from the front of this machine.
- (3) Pull out the roll media gently and then stop pulling when locked lightly.



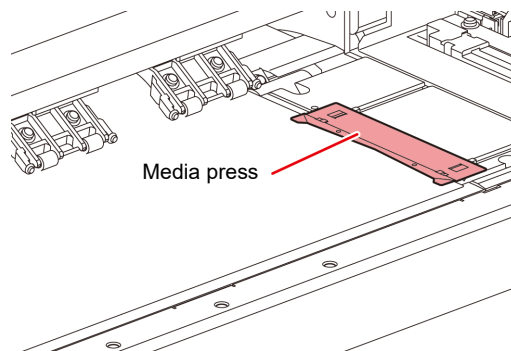
**10** Make the roll media even then lower the clamp lever.

- Pulling several positions of the media lightly, Lower the clamp lever after confirming that the amount of the roll media pulled out is almost even.

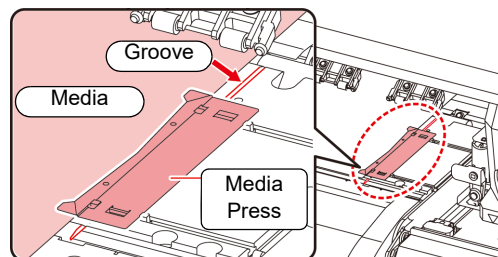


**11** Hold the media with the media press gently.

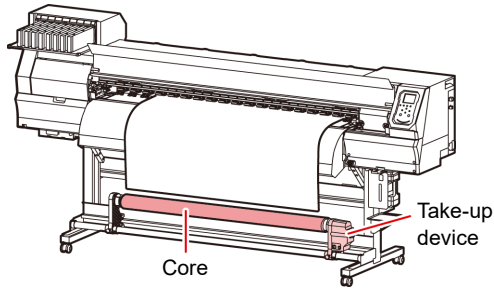
- Set the media so that no media sticks out from the right end pinch roller to the right side.
- When using a thick media, remove the media press from the media before printing.



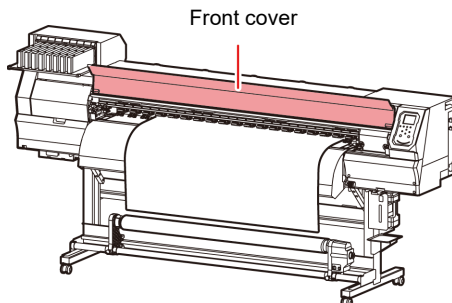
- When installing the media, align the media's right edge with the groove in the platen. Placing the media rightward of the groove will make it rise up if it moves obliquely, and this could cause damage to the head.
- If a media is misaligned to the right/left more than fixed position, a error message "MEDIA SET POSITION R" is displayed. Set the media again.



- 12** Set an empty core of the roll media on the take-up device.




- 13** Close the front cover.

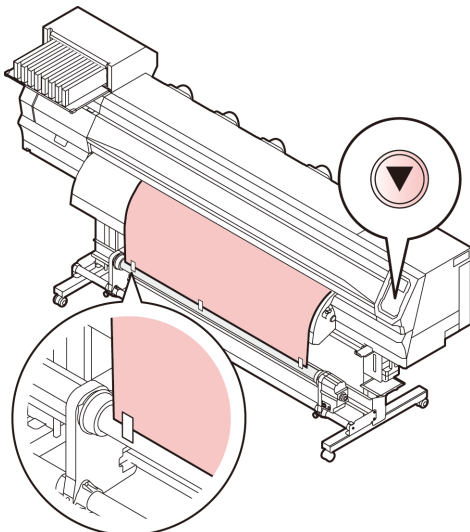


- 14** Press the  key to select "ROLL".

- Detects the media width.
- When [MEDIA RESIDUAL] of the maintenance function is "ON" (☞ P.3-16), the screen for entering media remaining amount is displayed after detecting the media width. (☞ P.2-7)

- 15** Secure the media on the take-up device. (☞ P.2-8)

- (1) Feed the media up to the core of the roll media of the take-up device by pressing the  key.
- (2) Fix the middle of the media with adhesive tape.
- (3) In the same manner, fix the left side and right side of the media.
  - Make sure that there is no slack or wrinkle on the media in such condition that the roll media is pulled to right and left evenly, and then stick the tape.



## Media Edge Guide

- Applicable model: Plus series

The media edge of the taken up roll media may shift laterally. In such cases, use the Media Edge Guide to prevent the lateral shifting.

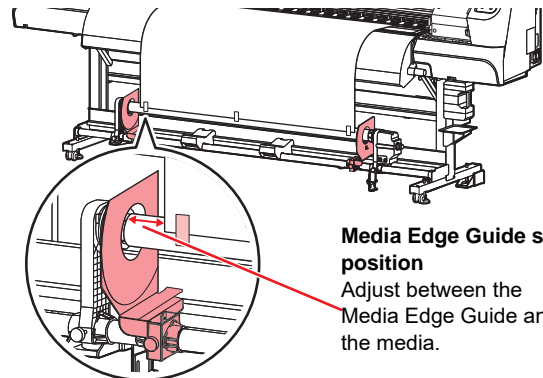


- When using the media edge guide, the roll media diameter is limited.
- Use within dia.200mm to 120mm. (Varies depending on the position of the edge guide)

- 1** Adjust and fix the position of the Media Edge Guide.

- The set position of the Media Edge Guide defers depending on the diameter of the roll media of before printing. Refer to the table below for adjustment.

Roll media diameter	Media Edge Guide set position
~Φ 120mm	1mm
~Φ 170mm	3mm
~Φ 200mm	5mm

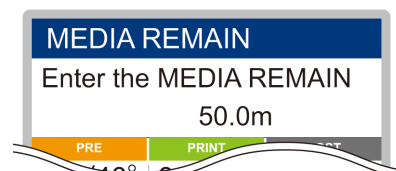


**Media Edge Guide set position**  
Adjust between the Media Edge Guide and the media.


## Entering the media remaining amount

When [MEDIA RESIDUAL] of the maintenance function is "ON" (☞ P.3-16), the screen for entering media remaining amount is displayed after detecting the media width.

- 1** Display the screen for entering media remaining amount.







- 2** Press   to enter the media remaining amount.

- 3** Press the  key.



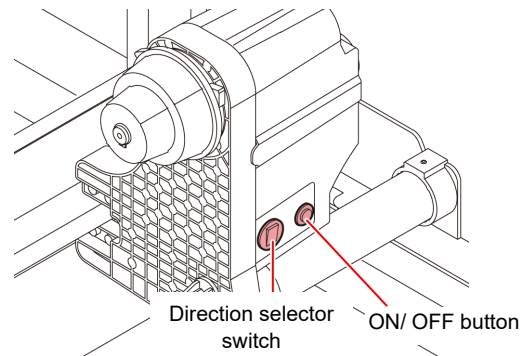
## About the media residual print

When [MEDIA RESIDUAL] of the maintenance function is "ON" (☞ P.3-16), You can print a list of print the current date and media remaining.

- 1** In Local, Press     .
  - It enters into the origin setting mode.
- 2** Press the **FUNC3** key.
  - Appear the confirmation screen of media remaining print.
- 3** Press the **ENTER** key.
  - Media residual print starts.

## Take-up device

With the switch of the narrow take-up device, select the take-up direction of the media or others.



Direction selector switch	UP (REVERSE)	The take-up device winds the media with the printed side facing in.
	DOWN (FORWARD)	The take-up device winds the media with the printed side facing out.
ON/OFF button		Turns the winding motion on/off. (When you press the button and operate the take-up device, the machine keeps taking up the media until you press the button again. *1)

\*1. You can also change the setting so that the taking-up operation only lasts while the ON/OFF button is being pressed. For details, refer to "Setting Take-up unit" (☞ P.3-15) in machine settings.

## Setting the torque limiter

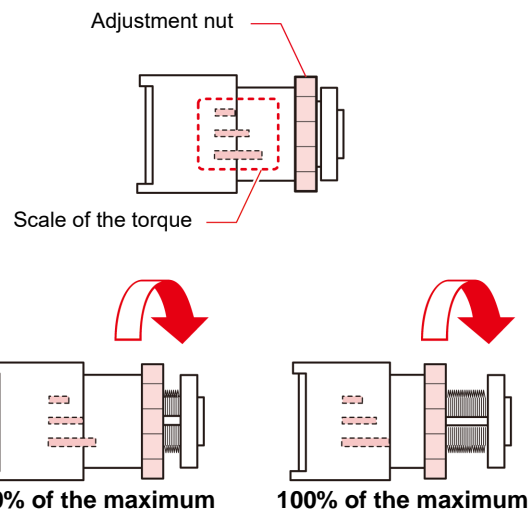
The take-up device is provided with a torque limiter. The take-up torque can be adjusted with the torque limiter. (The torque limiter is set to "Medium" at delivery.) If the tension is too strong to use a thin sheet of media, lower the take-up torque with the torque limiter.

### Clockwise turn :

Increases torque (a heavy and thicker media such as tarpaulin or the like)

### Counterclockwise turn :

Decreases torque (For light media)



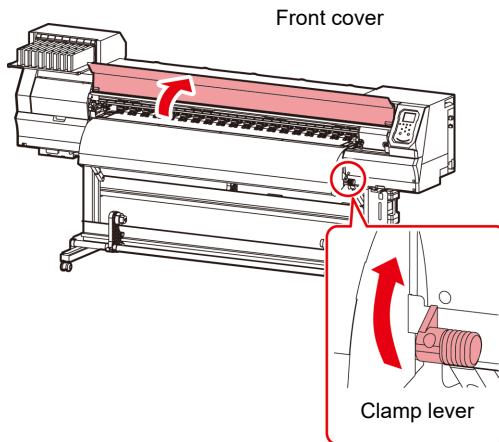
**Important!**

- **When the torque limiter is adjusted too weak ;**  
The media can not be taken up firmly.
- **When the torque limiter is adjusted too strong ;**  
The slack may occur depending on the media and cause influence on the image quality.

## Setting leaf media

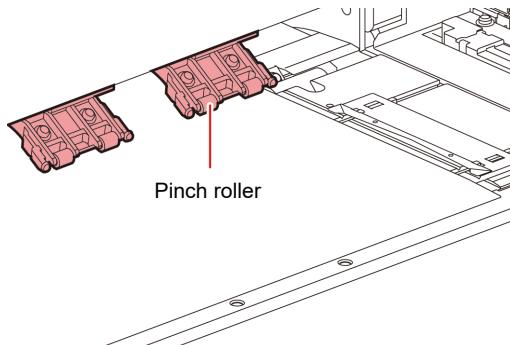
Unlike roll media, leaf media does not need to be retained with the roll holders.

- 1** Open the front cover, and raise the clamp lever.



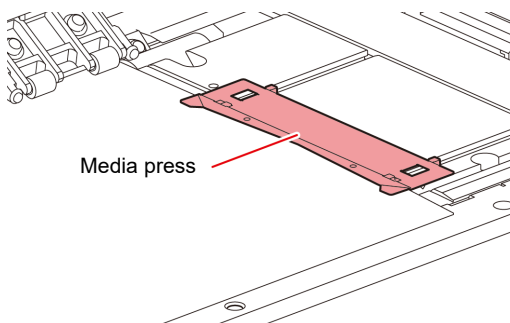
- 2** Insert the leaf media between the platen and the pinch rollers.

- Set the media so that no media sticks out from the right end pinch roller to the right side.



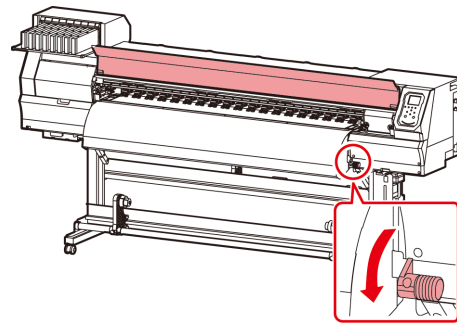
- 3** Hold the media with the media press gently.

- Set the media so that no media sticks out from the right end pinch roller to the right side.
- When using a thick media, remove the media press from the media before printing.



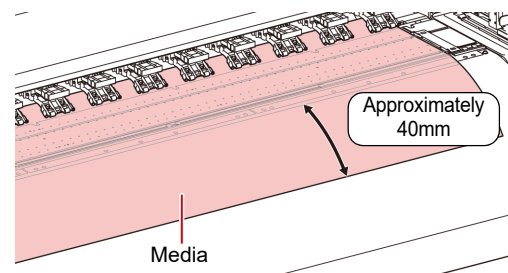
- 4** Push down the clamp lever and close the front cover.

- Set the media straight.



**Important!**

- Set the media on the black part of the platen so that it comes out approximately 40mm. If it is shorter than that, it may not be able to perform the media detection.



- 5** Press the **ENTER** key.

- 6** Press the **▶** key to select "LEAF".

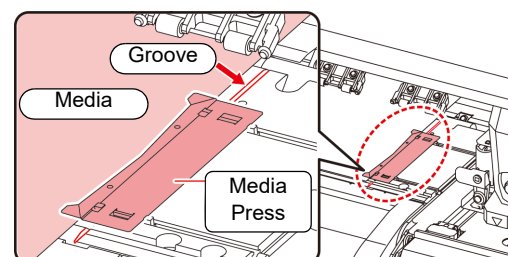
- 7** The media detection is started.

- The media width is detected.
- The media is fed then the rear end of media is detected.
- It returns to the Local when the detection is completed.

### Notes when using media press






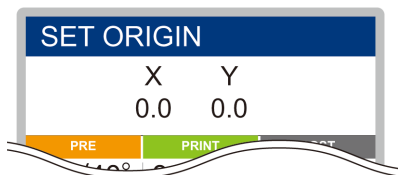
- When installing the media, align the media's right edge with the groove in the platen. Placing the media rightward of the groove will make it rise up if it moves obliquely, and this could cause damage to the head.
- If a media is misaligned to the right/left more than fixed position, a error message "MEDIA SET POSITION R" or is displayed. Set the media again.





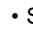
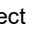
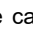
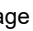



## Changing the printing origin

The position of the printing origin can be changed. Moving the LED pointer to the changing position and deciding the position.

- 1 In Local, Press**     .
  - It enters into the origin setting mode.

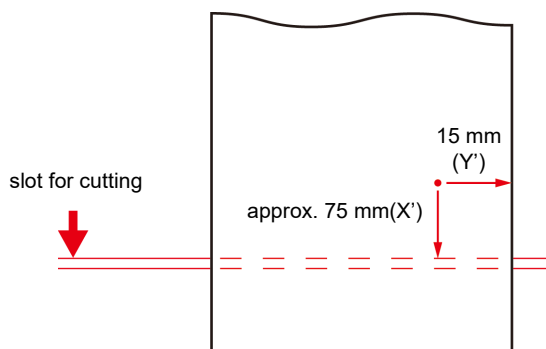


- 2 Set a light point of the LED pointer to the changing position by pressing**
    .
  - Select the carriage and media, moving the point with [][][][].

- 3 After determining the origin, press the**  **key.**
  - The printing origin is changed.

### Typical setting position of printing origin

The printing origin in the depth direction (X') is positioned at about 75 mm rearward from the slot for cutting on the platen. The printing origin in the scanning direction (Y') is positioned at 15 mm from the right end of the media. The value in the scanning direction (Y') can be changed using [MARGIN] in FUNCTION mode. (P.3-8)  
This can be changed by using the Jog key.



## Preparing for the Heaters

### Changing the Temperature Settings for the Heaters

You can change/save the temperature settings for the heaters with "Heater" of the setting mode. (P.3-7)



Here, changing method of the temperature set in the setting mode is explained.

Set the heater temperature according to the characteristics of the media you use.

The temperature of the heaters has been set to "OFF" as default.

Appropriate temperature adjustment can be made because the temperature can be adjusted even during printing.

It may take several minutes to tens of minutes for the set temperature to be reached, depending on the ambient temperature.

- 1 Press the**  **key, and press the**  **(Heater) in LOCAL.**
  - The heater temperature adjustment screen will be displayed.

- 2 Press**     **to set the temperature of each heater.**
  - Heater selecting** : Select with [][]
  - Temperature setting** : Set with [][]

- The heater starts to get hot.

- 3 The heating of the heater stops.**
  - When the heater temperature reaches the set temperature, the heater icon lights in green.

- 4 Press the**  **key to stop heating.**
  - The screen returns to LOCAL.

**Important!**

- Use this machine under 20 to 30°C. The temperature may not reach the set value due to the environmental temperature condition.



- Press [FUNC3] (OFF) in Step 2 to turn all heaters OFF.  
Or, press [FUNC1] to raise all heaters by 10°C.

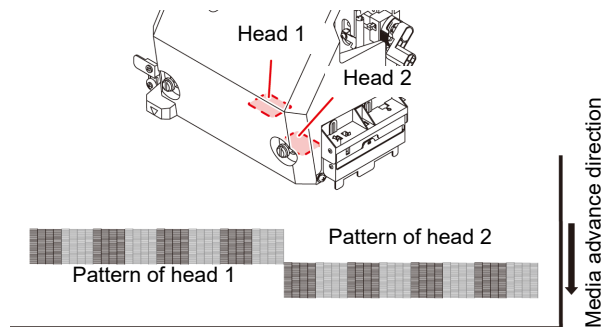


# Test Printing

Print a test pattern to check that there are no discharging defects such as nozzle clogging (slight touching of ink or nozzle missing).

## Relationship between head row and test pattern

The relations between head row and test pattern print position are as follow.

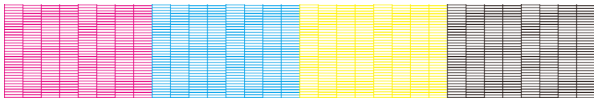


## About test patterns

This machine provides you two test patterns.

### ● Normal test pattern (when using ink other than white ink)

When you use ink that you can check by printing a test pattern on a white media, print this test pattern.



### ● Test pattern for checking white ink



## Note on test printing

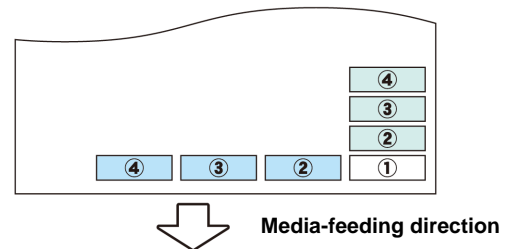
**Important!**



- When using leaf media, set a media of more than A3 size put horizontally. If a media with narrow width is set, printing will only be conducted to midway.
- When using a roll media, rewind the media by hand before printing so that it is not loose. When the roll media has not been rewound tightly, it may cause image quality to deteriorate.

## Test Printing



Print a test pattern to check that there are no discharging defects such as nozzle clogging (slight touching of ink or nozzle missing).

In addition, you can select the orientation of the test pattern to print from two types in order to perform test printing repeatedly. Select one depending on your use.



-  : When the set value is "FEED DIR."
-  : When the set value is "SCAN DIR."

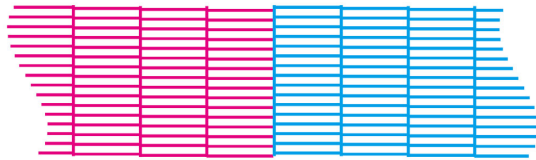
### Check before test printing.

- If a media has been set  P.2-4
- If the origin position has been set
- If the head gap has been adjusted  P.2-4

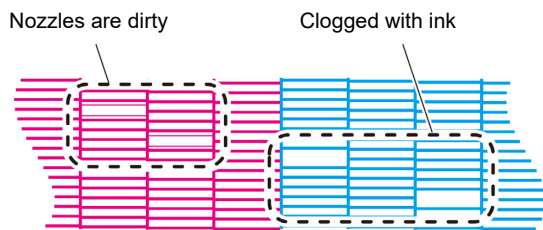
### Perform test printing with the normal test pattern

- 1** Press the **FUNC2** (TEST PRINT/CLEANING), and press the **ENTER** key in LOCAL.
  - TEST PRINT MENU will be displayed.
  - Press [▲][▼] to change the test pattern orientation. The orientation selected here will be reflected on when you will print next time.
  - When performing test printing after having changed the orientation from "SCAN DIR." to "FEED DIR.", the line is fed to the position of the first test printing.
- 2** Press the **ENTER** key.
  - Test printing starts.
  - When the printing has been completed, the screen returns to LOCAL.
- 3** Check the printed test pattern.
  - When the result is normal, end the operation.
  - When the result is abnormal, perform head cleaning. (☞ P.2-13)

Normal pattern



Abnormal pattern



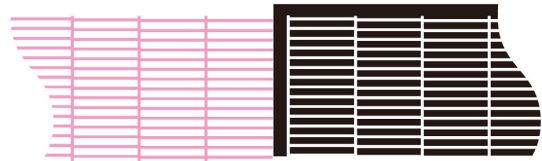
- ☛ When a recovery nozzle is registered in "Nozzle Recovery" (☞ P.4-14) in the maintenance menu and the test print setting (☞ P.4-15) is set to "ON", the pattern recovered with other nozzle is printed.

### Perform test printing with the test pattern for checking white ink

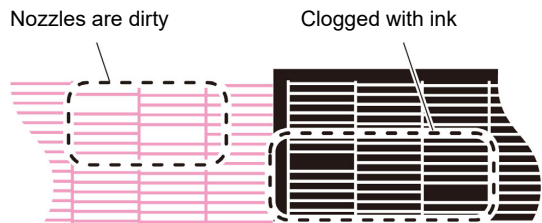
It makes easier to check if print the background to the white ink locations in the pattern.

- 1** Press the **FUNC2** (TEST PRINT/CLEANING), and press the **ENTER** key in LOCAL.
  - TEST PRINT MENU will be displayed.
- 2** Press **▲** **▼** to select "SpotColor Check".
- 3** Press the **ENTER** key.
  - Print a test pattern in the following orders.
    - (1) Print the pattern daubed with black.
    - (2) Dry the pattern for thirty seconds.
      - When press the [ENTER] key, cancel waiting time and shift to step (3).
    - (3) Return the media automatically and print the test pattern.
- 4** Check the printed test pattern.
  - When the result is normal, end the operation.
  - When the result is abnormal, perform head cleaning. (☞ P.2-13)

Normal pattern



Abnormal pattern



- ☛ When a recovery nozzle is registered in "Nozzle Recovery" (☞ P.4-14) in the maintenance menu and the test print setting (☞ P.4-15) is set to "ON", the pattern recovered with other nozzle is printed.

# Head Cleaning

## About head cleaning

Check the printed test pattern result and perform cleaning depending on the status.

Select one from the four types below:

**NORMAL** : When any line is missing

**SOFT** : When only head wiping is needed (when lines are bent)

**HARD** : When poor image quality cannot be improved even by NORMAL or SOFT cleaning

**ULTRA** : When poor image quality cannot be improved even by HARD cleaning

## Perform head cleaning depending on the test printing result

There are four types of head cleaning. Use one by checking the test pattern.

**1** Press the **FUNC2** (TEST PRINT/CLEANING) key in LOCAL.

- CLEANING MENU will be displayed.

**2** Press **▲** **▼** to select the cleaning type.

- **NORMAL** : Select this if any line is missing.
- **SOFT** : When only head wiping is desirable. (in case of bent lines)
- **HARD** : Select this if inferior printing cannot be improved even by [NORMAL] or [SOFT] cleaning.
- **ULTRA** : Select this if inferior printing cannot be improved even by [HARD] cleaning.

**3** Press the **ENTER** key.

**4** Press **▲** **▼** to select the cleaning head, and press the **FUNC2** (✓) key.

- After selecting the head, press the [FUNC2] key and put a check in the check box. The head whose box has been checked will be cleaned.
- To have both head 1 and head 2 cleaned, put a check in both their check boxes.

**5** Press the **ENTER** key.

**6** Perform test printing again, and check the result.

- Repeat the cleaning and the test printing until the printing result becomes in normal.



**When the image quality is not improved after the head cleaning.**

- Clean the wiper and ink cap. (P.4-8)
- Wash the head nozzle. (P.4-9)

## When 600ml cartridge is used

- **Even when [Ink Level] is displayed, enough ink for head cleaning may remain in the ink pack.**

When [Ink Level] appears, see P.3-18 “When [Ink Level low] is displayed” and enter the current weight of the 600ml cartridge.

- **When the remaining ink is not enough for head cleaning**

When the remaining ink is not enough for head cleaning, an error message “Error” shown on the step 3. Replace with a new ink pack, and then perform head cleaning again.

## Setting of Media Correction

Correct the media feed amount to match the type of media you are using.

If the correction value is not appropriate, stripes may appear on the printed image, thus resulting in a poor printing.



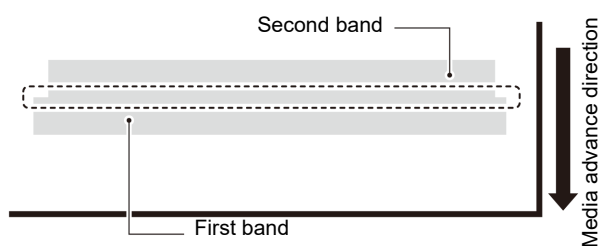
- On completion of [MEDIA COMP.] during use of a roll media, the media returns to the printing origin. Then the roll media in the rear of this machine will slacken. Before printing, take up the slack in the roll media by hand; a loose roll media can result in an inferior image quality.
- When printing with a take-up device, set the media first and then perform media correction.

### Setting of Media Correction

A pattern for media correction is printed and a media-feeding rate is corrected.



- Two bands are printed in the correction pattern.
- Make adjustment so that an even color density is obtained in the boundary between the two bands.



**1** Set a media. (☞ P.2-4)

**2** Press the **SEL** key, and press the **FUNC2** (ADJUST) in LOCAL.

- ADJUST MENU will be displayed.

**3** Press the **ENTER** key twice to print the correction pattern

**4** Check the correction pattern and enter a correction value.

- A screen for entering the correction value will be displayed.
- **Enter a correction value in "+":**  
The boundary between the two bands is widened.
- **Enter a correction value in "-":**  
The boundary between the two bands is narrowed.
- When you change the correction value by "30", the width of the boundary changes by about 0.1 mm.

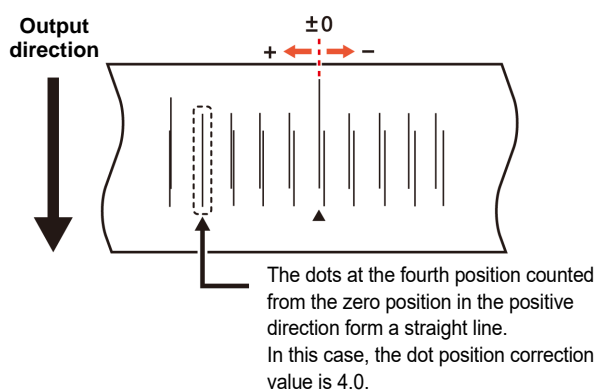
## If the Positions of Dots Shift...

When the condition for printing (media thickness/ink type/ etc.) has been changed, perform the following operation to correct the ink drop position for bidirectional (Bi) printing and obtain the proper printing result.



- When using leaf media, set a media of more than A3 size put horizontally. If a media with narrow width is set, printing will only be conducted to midway.

### Example of a Printed Pattern



**1** Press the **SEL** key, and press the **FUNC1** (ADJUST) in LOCAL.

- ADJUST MENU will be displayed.

**2** Press **▼**, and press the **ENTER** key.

- "DROP.POScorrect" will be selected.

**3** Press the **ENTER** key.

- Printing of the Drop position correct printed pattern will start.
- Multiple test patterns are printed. (The printed patterns are called Pattern 1, Pattern 2, Pattern 3... in the order of printing.)

**4** Press **▲▼** to enter a correction value of Pattern 1, and press the **ENTER** key.

- Corrected feeding rate: -40 to 40
- Check the test patterns. The position where an outward feeding line and a return feeding line become one straight line is the correction value.
- When the correction value is not between -40 and 40, adjust the height of the printing heads and then perform the operations in Step 2 and later.

**5** In the same way as in Step 4, enter a correction value of Pattern 2 and later, and press the **ENTER** key.

**6** Press the **END/POWER** key several times to end the setting.

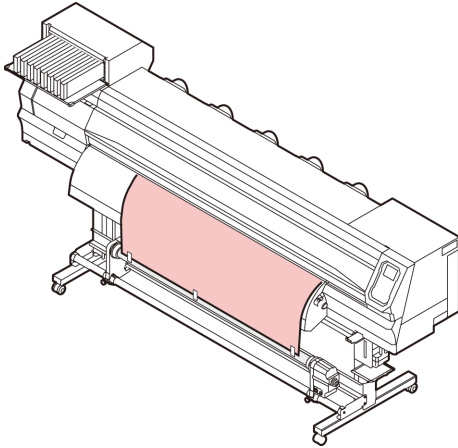
# Printing Data

## Starting a Printing Operation

**Important!**

- When using a roll media, rewind the media by hand before printing so that it is not loose. When the roll media has not been rewound tightly, it may cause the image quality to deteriorate.

### 1 Setting a Media (🔗 P.2-4)

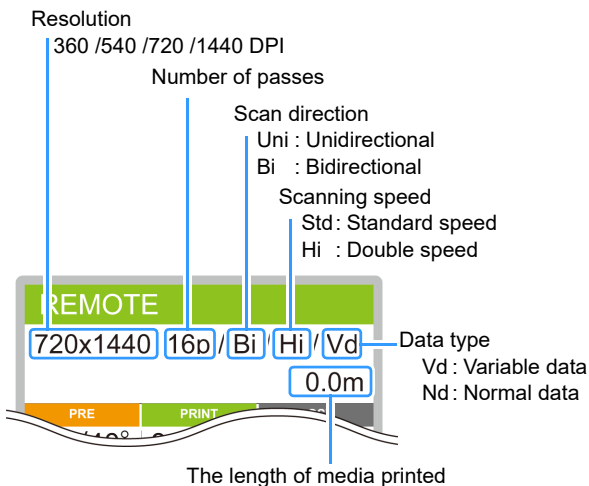


### 2 Press the **FUNC3** (REMOTE) key in LOCAL.

- The screen changes to REMOTE, and data can be received from the PC.

### 3 Transmit data to be printed from the PC.

- The ACTIVE lamp blinks and the printing conditions are displayed.
- For the method of data transmission, see the instruction manual for the output software.



### 4 Start printing.

- The printing speed may change, depending on the width of the set media or the position of the print origin even when the same data is printed. This is because of a difference in resolution.

## Stopping a Printing Operation

Perform the following operation when stopping a printing operation halfway.

### 1 Press the **FUNC3** (LOCAL) during printing.

- The printing operation stops.
- Interrupt data sending at the PC side during the data is sent from the PC.
- Printing restarts from the interrupted data by repressing the [REMOTE] key.

## Deleting Received Data (Data Clear)

When you want to stop printing, delete the already received data.

### 1 Press the **SEL** key, and press the **FUNC3** (DATA CLEAR) in LOCAL.

### 2 Press the **ENTER** key.

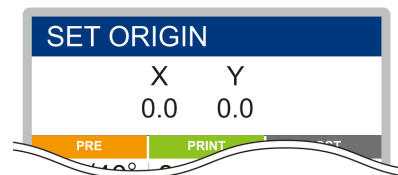
- The received data is erased then it returns to the Local.

## Cutting a media

By using the keys on the operation panel, you can cut the media at any position.

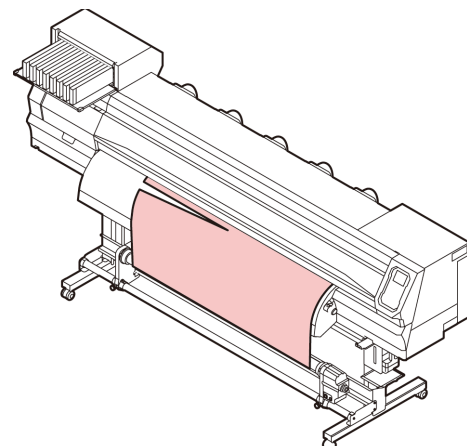
### 1 In Local, Press **▲** **▼** **◀** **▶**.

- It enters into the origin setting mode.
- By pressing [**▼**], feed the media to the cutting position.



### 2 Press the **FUNC2** **ENTER** key.

- The media is cut.
- When the cutting has been completed, the current mode returns to LOCAL.







# Chapter 3

## Setup



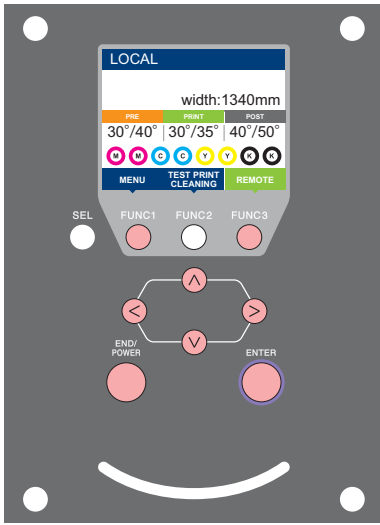
### This chapter

describes various settings of this machine.

About SETUP MENU .....	3-2	Setting a LANGUAGE.....	3-19
SETUP MENU table .....	3-3	Setting Time.....	3-19
Register the optimal print conditions to match the use .....	3-4	Setting Unit (Temperature/ Length) .....	3-19
Setting of Media Correction.....	3-5	Setting a KEY BUZZER.....	3-19
If the Positions of Dots Shift.....	3-6	Setting the CONFIRM. FEED .....	3-20
Setting the HEATER .....	3-7	Setting the SPACE FEED MODE .....	3-20
Setting of Logical Seek .....	3-7	Set the network.....	3-20
Setting of Drying Time.....	3-8	Setting event mail function.....	3-21
Setting of Left and Right Margins.....	3-8	Automatic remote.....	3-25
Setting of Vacuum Fan.....	3-9	Initializing the Settings.....	3-25
Setting of Feed Speed .....	3-9	About NOZZLE CHECK MENU .....	3-26
Setting of MAPS.....	3-9	INFORMATION MENU table .....	3-26
Setting Auto Cleaning .....	3-10	Printing Check Flow.....	3-27
Setting Interval wiping .....	3-11	Printing Operations at “Nozzle Missing” Judgment and Error Occurrence .....	3-27
About MACHINE SETUP MENU .....	3-12	Setting the Printing Check.....	3-28
MACHINE SETUP MENU table .....	3-13	Setting the NOZZLE RECOVERY .....	3-28
Setting a AUTO Power-off.....	3-14	Setting the Judgment Condition.....	3-28
Setting a AUTO Power-on.....	3-14	About INFORMATION MENU .....	3-29
Setting Take-up unit.....	3-15	INFORMATION MENU table .....	3-29
Setting Top Blower.....	3-15	Displaying the Information .....	3-30
Setting the Display of Media Residual .....	3-16		
When using 600 ml cartridge .....	3-16		

# About SETUP MENU

On SETUP MENU, you can set the print conditions to match the media you usually use.



- FUNC1** : Press this to select SETUP MENU, or to switch to the previous screen.
- FUNC3** : Press this to switch to the next screen.
- ▲ ▼** : Use these to select a setting item.
- ENTER** : Press this to confirm a setting, etc..

## ◆ SETUP MENUS at-a-glance

Select "SETUP 1 to 4" or "Temporary", and then press the **ENTER** key.

## SETUP MENU table



- For each setting item below, you can set it so that the machine may operate according to the value specified when you printed from your RIP software in the connected host PC.
- **Set Item** : DRYING TIME/ MARGIN (LEFT and RIGHT)/ VACUUM FAN/ FEED SPEED
- When you operate the machine according to the contents specified with the RIP software, set each item to "Host" when registering this machine type. When you set it other than "Host", the machine operates according to the machine setting.
- For the specifying method with the RIP software, refer to the operation manual of the RIP software.

Function name		Set value	When no instruction from RIP exists *1	Outline	
FEED COMP. (☞ P.3-5)	Each Print Cond. (Plus series) (☞ P.3-6)	-9999 to <u>0</u> to 9999	_____	Used to print a pattern for correcting a media-feeding rate and correct it.	
		ON/OFF		You can perform feed correction and apply correction values for each print mode having different feed conditions.	
DROP.POScorrect (☞ P.3-6)		-40.0 to <u>0</u> to 40.0	_____	Used to adjust the dot position in go and return printing.	
HEATER (☞ P.3-7)	PRE	OFF/ 20 to 60 °C (OFF/ 68 to 140°F)	_____	Sets each heater's conditions.	
	PRINT				
	POST	OFF TIME	NONE/ 0 to 90 min	Set the time from the print completion until the heater to be OFF.	
LOGICAL SEEK (☞ P.3-7)		HOST/ON / OFF	OFF	Sets the scan movable area during printing.	
DRYING TIME (☞ P.3-8)	SCAN	HOST/0.0 to 9.9 sec	0 sec	Sets the time to wait for ink drying.	
	PRINT END	HOST/0 to 120 min	0 min		
MARGIN/LEFT (☞ P.3-8)	-10 to 85mm		0 mm	Sets a non-printing area along the right and left edges of the media.	
MARGIN/RIGHT (☞ P.3-8)			0 mm		
VACUUM FAN (☞ P.3-9)		HOST/ WEAK/ STANDARD/ STRONG	STRONG	Sets the absorbability of the media.	
FEED SPEED *2 (☞ P.3-9)		10 to <u>100</u> to 200 %	100 %	Changes the media feeding speed in printing.	
AUTO CLEANING (☞ P.3-10)	OFF, FILE, LENGTH, TIME		_____	Sets the automatic cleaning operation for the head performed before printing or during printing.	
	FILE	INTERVAL	1 to 1000		_____
		TYPE	NORMAL/ SOFT/ HARD		_____
	LENGTH	INTERVAL	0.1 to 100.0m		_____
		TYPE	NORMAL/ SOFT/ HARD		_____
	TIME	INTERVAL	10 to 120 min		_____
	TYPE	NORMAL/ SOFT/ HARD	_____		
Cleaning Check		ON/ OFF	_____	Set to run or not a nozzle check after auto cleaning.	
INTERVAL WIPING (☞ P.3-11)		3 to 255 min, OFF	_____	Sets the wiping operation performed after printing is completed.	
EXTERNAL HEATER		ON/OFF	_____	Set to "ON" when use the external heater for drying the media. For more information, please refer to the separate manual, "Compact Relay BOX Operation Manual".	
MAPS (☞ P.3-9)	AUTO			Change the effect of "MAPS".	
	MANUAL	Speed	50 ~ 100%		
		Smoothing level	0 ~ 100%		
RESET SETTING (☞ P.3-5)		The configuration in the settings 1-4 can be reset individually.			

\*1. This is the setting value to be used for printing when setting value is not specified at the RIP software (host) side, or, you give priority to the setting value at the machine side.

\*2. When you set this to "100%" or more, required time for completion of printing will be shortened. However, enough drying time cannot be ensured and it may affect the image quality.

## Register the optimal print conditions to match the use

In this machine, you will be able to register print conditions, SETUP 1 to 4 individually to match the media in advance.

For example, after print on different types of media, return to the media always use. In such case you can set the optimum printing conditions by simply selecting the registered SETUP 1 to 4.



- Print conditions that can be pre-registered with the machine are the four types, "SETUP 1" to "SETUP 4".
- If you print with the print condition which do not often use, you will be able to set the print conditions by selecting "Temporary". If turn on the power again, settings in "Temporary" will return to the original state when it was purchased. Also if turn on the power again in "Temporary" state, it will be the state in selecting "SETUP 1".

## Register the print conditions to SETUP 1 to 4

- 1 Press the **FUNC1 (MENU)** ➔ **ENTER** key in LOCAL.
- 2 Press **▲** **▼** to select SETUP 1 to 4, and press the **ENTER** key.
  - The item selected indicates ● and others show ○.
  - SETUP MENU will be displayed.
- 3 Press **▲** **▼** to select and set each item in the setup menu list.
  - Please see the reference page in the setup menu list for detailed configuration procedure.

## How to use [Temporary]

[Temporary] is not only to set the print condition to be used only once, but also can be used for partial change of the registered SETUP "1 to 4", or for reflecting the print conditions set by the [Temporary] to SETUP 1 to 4.

### ● Register the print conditions in [Temporary]

Registration of the print conditions to [Temporary] can be done as the same method as to SETUP 1 to 4.

- 1 Press the **FUNC1 (MENU)** ➔ **ENTER** key in LOCAL.
- 2 Press **▲** **▼** to select "Temporary", and press the **ENTER** key.
  - SETUP MENU will be displayed.
- 3 Press **▲** **▼** to select and set each item in the setup menu list.
  - Please see the reference page in the setup menu list for detailed configuration procedure.

### ● Copy the contents of SETUP 1 to 4 to [Temporary]

You can use it with changing the part of registration contents of SETUP 1 to 4.

Select "RESET SETTING" then "COPY" from the registration screen of [Temporary], and specify the copy source (SETUP 1 to 4).

- 1 Press the **FUNC1 (MENU)** ➔ **ENTER** key in LOCAL.
  - 2 Press **▲** **▼** to select "Temporary", and press the **ENTER** key.
    - SETUP MENU will be displayed.
  - 3 Press the **FUNC1 (<<)**.
  - 4 Press **▲** **▼** to select "RESET SETTING", and press the **ENTER** key.
  - 5 Press **▲** **▼** to select "COPY", and press the **ENTER** key.
    - Selection screen of the copy source will be displayed.
  - 6 Press **▲** **▼** to SELECT the copy source (SETUP 1 to 4) and press the **ENTER** key.
    - Confirmation screen of the copy will be displayed.
  - 7 Press the **ENTER** key.
    - Settings selected in step 5 is copied to Temporary.
  - 8 Press **▲** **▼** to select the setting item to be changed, and press the **ENTER** key.
    - Please see the reference page in the setup menu list for detailed configuration procedure.
- ### ● Reflect The Content Set In [Temporary] To Setup 1 To 4
- 1 Press the **FUNC1 (MENU)** ➔ **ENTER** key in LOCAL.
  - 2 Press **▲** **▼** to select "Temporary", and press the **ENTER** key.
    - SETUP MENU will be displayed.
  - 3 Press **▲** **▼** to select and set each item in the setup menu list.
    - Please see the reference page in the setup menu list for detailed configuration procedure.
  - 4 Display the last page of Temporary and select "SAVE SETTING", and press the **ENTER** key.
    - Selection screen of the save location will be displayed.
  - 5 Press **▲** **▼** to select the location selected (SETUP 1 to 4), and press the **ENTER** key.
    - Save confirmation screen will be displayed.

- 6** Press the **ENTER** key.
  - Settings of Temporary will be saved to the location selected in step 5.
- 7** Press the **END/POWER** key several times to end the setting.

### Reset the registered contents

Reset the contents registered to SETUP 1 to 4.

- 1** Press the **FUNC1 (MENU) → ENTER** key in LOCAL.
- 2** Press **▲ ▼** to select **SETUP 1 to 4** to be reset and press the **ENTER** key.
  - SETUP MENU will be displayed.
- 3** Press the **FUNC1 (<<)**.
- 4** Press **▲ ▼** to select **"RESET SETTING"**, and press the **ENTER** key.
  - Confirmation screen of reset settings will be displayed.
- 5** Press the **END/POWER** key several times to end the setting.

### Setting of Media Correction

Correct the media feed amount to match the type of media you are using.

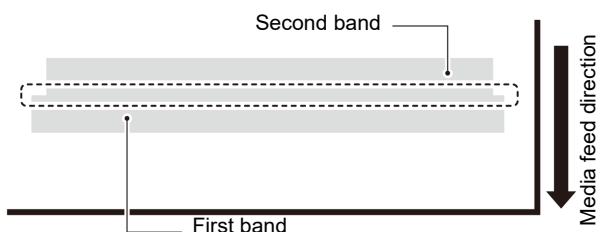
If the correction value is not appropriate, stripes may appear on the printed image, thus resulting in a poor printing.

- Important!**
- On completion of [MEDIA COMP.] during use of a roll media, the media returns to the printing origin. Then the roll media in the rear of this machine will slacken. Before printing, take up the slack in the roll media by hand; a loose roll media can result in an inferior image quality.
  - When printing with a take-up device, set the media first and then perform media correction.

A pattern for media correction is printed and a media-feeding rate is corrected.



- Two bands are printed in the correction pattern.
- Make adjustment so that an even color density is obtained in the boundary between the two bands.



- 1** Set a media. (👉 P.2-4)
- 2** Press the **FUNC1 (MENU) → ENTER** key in LOCAL.
- 3** Press **▲ ▼** to select **SETUP 1 to 4**, and press the **ENTER** key.
  - SETUP MENU will be displayed.
- 4** Press **▲ ▼** to select **"FEED COMP"**, and press the **ENTER** key.
- 5** Press **ENTER** the key twice to print a correction pattern.
- 6** Check the correction pattern and enter a correction value.
  - A screen for entering the correction value will be displayed.
  - Enter a correction value in "+":  
The boundary between the two bands is widened.
  - Enter a correction value in "-":  
The boundary between the two bands is narrowed.
  - When you change the correction value by "30", the width of the boundary changes by about 0.1 mm.
- 7** Press the **ENTER** key.
  - Print a correction pattern again and check it.
  - When media correction is needed, perform the operation in Step 6 to make correction.
- 8** Press the **END/POWER** key several times to end the setting.

### Correcting Media-feeding during Printing

A media-feeding rate can be corrected even in the remote mode or when image data is printed.

- 1** Press the **FUNC1 (ADJUST) → ENTER** key in the Remote.
- 2** Press **▲ ▼** to enter a corrected feeding rate.
  - Corrected feeding rate: -9999 to 9999
  - The value entered here is reflected in the corrected feeding rate soon.
- 3** Press the **ENTER** twice key.
  - key. The changed value is registered.
  - When you press the [ENTER] key instead of the [END] key, the value entered here will be valid temporarily. (When you perform media detection again or turn the power OFF, the correction value is cleared.)

## Feed Comp by print condition

### ● Applicable model: Plus series (FW Ver.1.20 or later)

Conditions such as feed speed differ depending on the print mode.

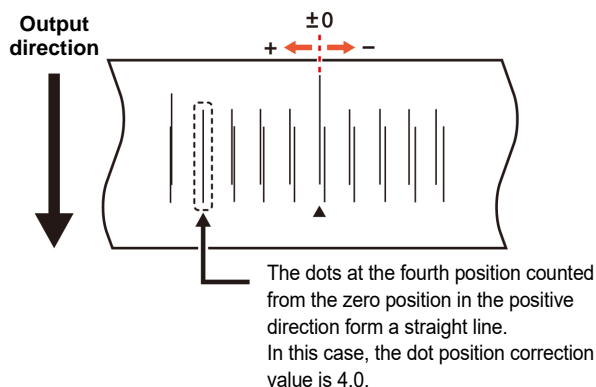
By providing the correction value according to each mode, it is possible to reduce the work of changing correction values when outputting different print modes within the same setting.

- 1** Set the media. (☞ P.2-4)
  - 2** Press **FUNC1** (MENU) → **ENTER** key in local mode.
  - 3** Press **▲** **▼** to select settings 1 to 4, and press the **ENTER** key.
    - The setting menu is displayed.
  - 4** Press **▲** **▼** to select "Feed Comp.", and press the **ENTER** key.
  - 5** Press **FUNC1** (MENU) on the screen waiting for "Print Start" to switch ON / OFF.
    - When ON:
      - You can correct for each condition and enter the correction value.
      - Each correction value is applied according to the printing conditions.
      - (1) 360x360
      - (2) 540x360
      - (3) All print modes except the above (resolution).
    - When OFF:
      - One correction value is applied to all print modes(resolution).
- !** • If the advanced setting is set to "ON", perform adjustment in all print modes (resolution) used.

## If the Positions of Dots Shift...

When the condition for printing (media thickness/ink type/ etc.) has been changed, perform the following operation to correct the ink drop position for bidirectional (Bi) printing and obtain the proper printing result.

### Example of a Printed Pattern



- 1** Set a media on the machine. (☞ P.2-4)
  - In order to print a pattern, a media that is 500 mm wide at least is necessary.
- 2** Press the **FUNC1** (MENU) → **ENTER** key in LOCAL.
- 3** Press **▲** **▼** to select SETUP 1 to 4, and press the **ENTER** key.
  - SETUP MENU will be displayed.
- 4** Press **▲** **▼** to select "DROP.POS correct", and press the **ENTER** key.
- 5** Press the **ENTER** key.
  - Start the pattern printing.
  - Multiple test patterns are printed. (The printed patterns are called Pattern 1, Pattern 2, Pattern 3... in the order of printing.)
- 6** Press **▲** **▼** to enter a correction value of Pattern 1, and press the **ENTER** key.
  - Corrected feeding rate: -40 to 40
  - Check the test patterns. The position where an outward feeding line and a return feeding line become one straight line is the correction value.
  - When the correction value is not between -40 and 40, adjust the height of the printing heads and then perform the operations in Step 2 and later.
- 7** In the same way as in Step 4, enter a correction value of Pattern 2 and later, and press the **ENTER** key.
- 8** Press the **END/POWER** key several times to end the setting.



## Setting the HEATER

Pre-heater /Print heater / Post-heater are equipped on the platen.

Type of HEATER	Function
Pre-heater	Used for pre-heating of the media prior to printing to prevent rapid temperature changing.
Print-heater	Improves the image quality in printing.
Post-heater	Dries ink after printing.

Here, in addition to the temperature setting of each heater, the time from the print completion until the heater to be OFF can be set up.

**1** Press the **[FUNC1] (MENU)** → **[ENTER]** key in LOCAL.

**2** Press **[▲]** **[▼]** to select **SETUP 1 to 4**, and press the **[ENTER]** key.

- SETUP MENU will be displayed.

**3** Press **[▲]** **[▼]** to select “HEATER”, and press the **[ENTER]** key.

**4** Set each heater temperature by pressing **[▲]** **[▼]** **[◀]** **[▶]**.

- Heater selecting : by the **[▲]****[▼]** keys
- Temperature setting : by the **[◀]****[▶]** keys

**5** Press **[▲]** **[▼]** to select “OFFTIME”, and press the **[ENTER]** key.

**6** Press **[▲]** **[▼]**, set the time until the heater to be OFF after printing, and press the **[ENTER]** key.

**7** Press the **[END/POWER]** key several times to end the setting.

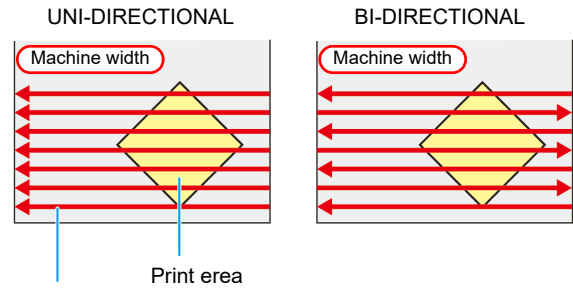


- press **[FUNC3]** (off) in Step 3 to turn all heaters OFF.
- or, press **[FUNC1]** to raise all heaters by 10°C.
- If press keys or receive data during OFF is set in step 6, automatically returns to the set temperature.

## Setting of Logical Seek

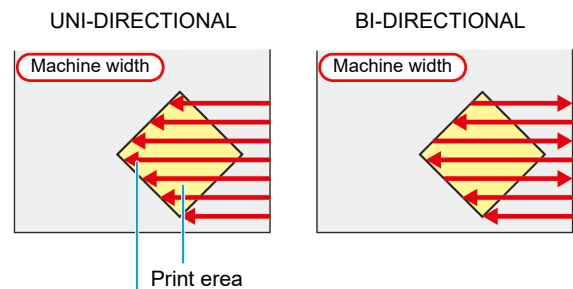
The head's operation varies depending on the LOGICAL SEEK settings, as shown in the figure below.

### Movement of heads when LOGICAL seek is OFF



Red arrow :  
Movement of head

### Movement of heads when LOGICAL seek is ON



Red arrow :  
Movement of head

**1** Press the **[FUNC1] (MENU)** → **[ENTER]** key in LOCAL.

**2** Press **[▲]** **[▼]** to select **SETUP 1 to 4**, and press the **[ENTER]** key.

- SETUP MENU will be displayed.

**3** Press **[▲]** **[▼]** to select “LOGICAL SEEK”, and press the **[ENTER]** key.

**4** Press **[▲]** **[▼]** to select a set value, and press the **[ENTER]** key.

- Set value : HOST / ON / OFF

**5** Press the **[END/POWER]** key several times to end the setting.

## Setting of Drying Time

In the drying time setting, the following items for ink drying time are set.

- **SCAN** : Ink drying time for each scanning is set. (During bidirectional printing, the machine stops for a certain period of time specified for each of the outward and return scanning.)
- **PRINT END** : Ink drying time after printing has been complete is set.

- Important!**
- When you give priority to the setting at the RasterLink side, make the setting value "Host".
  - "SCAN" set in this machine is displayed as "Pause Time per Scan" in the RasterLink.
  - You cannot specify the print end at the RasterLink side. When you set this machine to "Host", printing will be performed in "PRINT END= 0 min." status.

- 1 Press the **FUNC1 (MENU)** ➔ **ENTER** key in LOCAL.
- 2 Press **▲** **▼** to select **SETUP 1 to 4**, and press the **ENTER** key.
  - SETUP MENU will be displayed.
- 3 Press **▲** **▼** to select **"DRYING TIME"**, and press the **ENTER** key.
- 4 Press the **ENTER** key.
- 5 Press **▲** **▼** **◀** **▶** to set drying time, and press the **ENTER** key.
  - Set the drying time for canning and after printing is completed. To enable the drying time specified in your RIP, select "Host".
  - **Scanning setting value** : Host or 0.0 sec. to 9.9 sec.
  - **Print end setting value** : Host or 0 sec. to 120 min.
  - **Item selecting** : by the **▲**/**▼** keys
  - **Time setting** : by the **◀**/**▶** keys
- 6 Press the **END/POWER** key several times to end the setting.

## Setting of Left and Right Margins

Set a non-printing area along the left and right edges of the media.

The offset value against the standard margin 15mm is set hereupon.

- Important!**
- When you give priority to the setting at the RIP software side, make the setting value "Host".
  - You cannot specify the margins at the attached RIP software (RasterLink). When you use the RasterLink, if you set this machine to "Host", printing will be performed in "Margins for right and left off set value= 0 mm" status.
  - The margin setting is reflected when the media width is detected.

- 1 Press the **FUNC1 (MENU)** ➔ **ENTER** key in LOCAL.
- 2 Press **▲** **▼** to select **SETUP 1 to 4**, and press the **ENTER** key.
  - SETUP MENU will be displayed.
- 3 Press the **FUNC3 (>>)**.
- 4 Press **▲** **▼** to select **"Margin/L"** or **"Margin/R"**, and press the **ENTER** key.
- 5 Press **▲** **▼** to select a set value, and press the **ENTER** key.
  - Set value : HOST / -10 to 85 mm
- 6 Press the **END/POWER** key several times to end the setting.



- Pay attention to that printing may start on the media press if a right and left margin is set to 5 mm or less when the media press is used in printing.

## Setting of Vacuum Fan

Sets the absorbability of the media.  
By setting the absorption power to match the media, you can prevent print errors due to media rise-up.

- 1 Press the **FUNC1 (MENU)** → **ENTER** key in LOCAL.
- 2 Press **▲** **▼** to select **SETUP 1 to 4**, and press the **ENTER** key.
  - SETUP MENU will be displayed.
- 3 Press the **FUNC3 (>>)**.
- 4 Press **▲** **▼** to select “**VACUUM FAN**”, and press the **ENTER** key.
- 5 Press the **ENTER** key.
- 6 Press **▲** **▼** to select a set value, and press the **ENTER** key.
  - Set value : HOST/WEAK /STANDARD/ STRONG
- 7 Press the **END/POWER** key several times to end the setting.

## Setting of Feed Speed

Changes the media feeding speed in printing.

- 1 Press the **FUNC1 (MENU)** → **ENTER** key in LOCAL.
- 2 Press **▲** **▼** to select **SETUP 1 to 4**, and press the **ENTER** key.
  - SETUP MENU will be displayed.
- 3 Press the **FUNC3 (>>)**.
- 4 Press **▲** **▼** to select “**FEED SPEED**”, and press the **ENTER** key.
- 5 Press the **ENTER** key.
- 6 Press **▲** **▼** to select a set value, and press the **ENTER** key.
  - Set value : HOST / 10 to 200%
- 7 Press the **END/POWER** key several times to end the setting.

**Important!** • Some settings do not change the speed depending on the print conditions.

## Setting of MAPS

The MAPS (Mimaki Advanced PassSystem) function to disperse the pass boundary to make the feeding stripes less visible.

With this function, the degree of application of MAPS can be changed.



• MAPS provides two setting options: “AUTO” and “MANUAL” MAPS applies the one most suitable for your printing conditions, so please normally use “AUTO” (default value).



• Changing the MAPS settings may change the color tone. Check the effects before use.  
• MAPS may not be effective depending on image to be printed. Use it after checking effect in advance.

## Setting Auto Cleaning

You can set the machine so that it counts the number of printed files or the length or time after printing has been completed, and performs cleaning automatically if required. You can select the auto cleaning setting from three types below:

- **PAGE** : Set the cleaning intervals by the number of printed files.
- **LENGTH** : Set the cleaning intervals by the printed length.
- **TIME** : Set the cleaning intervals by the printed time.

Besides, automatic nozzle check after auto cleaning can be set. (Cleaning Check function)

The machine can perform a stable printing operation with its heads always kept clean.

**1** Press the **FUNC1 (MENU)** ➔ **ENTER** key in **LOCAL**.

**2** Press **▲ ▼** to select **SETUP 1 to 4**, and press the **ENTER** key.

- SETUP MENU will be displayed.

**3** Press the **FUNC3 (>>)** .

**4** Press **▲ ▼** to select “**AUTO CLEANING**”, and press the **ENTER** key.

**5** Press **ENTER** key, and press **▲ ▼** to select the type of auto cleaning.

- There are “PAGE”, “LENGTH” and “TIME” for auto cleaning.

**FILE:** When the set number of prints has been completed, the machine performs head cleaning automatically.

**LENGTH:** When the set length has passed, the machine performs head cleaning automatically.

**TIME:** When the set time has passed, the machine performs head cleaning automatically.

- If you do not set auto cleaning, first select “OFF” and then proceed to the Step 7.

**6** Press **ENTER** key, and press **▲ ▼** to select the cleaning interval.

- Depending on the auto cleaning type selected in the Step 3, the setting value differs.

**For FILE** : 1 to 1000 file

**For LENGTH** : 0.1 to 100.0m (in 0.1m increment)

**For TIME** : 10 to 120min (in 10min increment)

**7** Press **ENTER** key, and press **▲ ▼** to select the cleaning type.

- Set Value : NORMAL/ SOFT/HARD

**8** Press **ENTER** key, and press **▲ ▼** to select “Cleaning Check”.

**9** Press **ENTER** key, and press **▲ ▼** to select set value.

- Set Value : ON/ OFF

**10** Press the **ENTER** key.

**11** Press the **END/POWER** key several times to end the setting.

**Important!**

- Depending on the state of the heads, etc., the image quality deterioration may not be improved even with this function performed. In this case, contact our service office or the distributor in your region.

## Setting Interval wiping

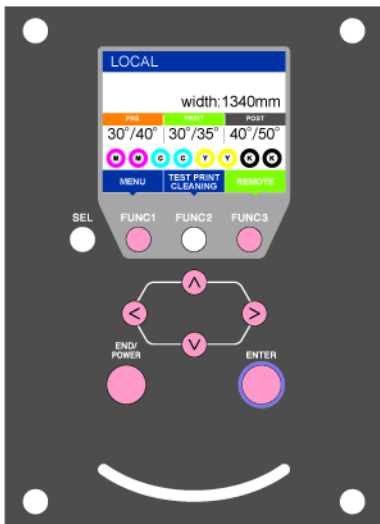
When the set time has passed, nozzle face of the head is cleaned automatically to remove ink droplets on the nozzle face.

In case that deflection, nozzle missing, or symptom which ink droplets fall down occurred, set the interval between each operation shorter.

- 1** Press the **FUNC1 (MENU)** → **ENTER** key in LOCAL.
- 2** Press **▲** **▼** to select **SETUP 1 to 4**, and press the **ENTER** key.
  - SETUP MENU will be displayed.
- 3** Press the **FUNC1 (<<)**.
- 4** Press **▲** **▼** to select “**INTERVAL WIPING**”, and press the **ENTER** key.
- 5** Press **▲** **▼** to set intervals.
  - Set Value : 3 to 255 Minutes, OFF
  - When [OFF] is set, periodical wiping is not executed.
- 6** Press the **ENTER** key.
- 7** Press the **END/POWER** key several times to end the setting.

# About MACHINE SETUP MENU

Common settings are functions for using this machine easily.  
The following items can be set in Machine settings.



- FUNC1** : Press this to select MACHINE SETUP MENU, or to switch to the previous screen.
- FUNC3** : Press this to switch to the next screen.
- ▲ ▼** : Use these to select a setting item.
- ENTER** : Press this to confirm a setting, etc..

## ◆ MACHINE SETUP MENUS at-a-glance

The sequence of screens shown is:





- LOCAL screen (width:1340mm)
- MENU screen (MACHINE SETUP selected)
- MACHINE SETUP screen (AUTO Power-off 30min)
- MACHINE SETUP screen (AUTO Power-on \*1)
- MACHINE SETUP screen (TAKE-UP UNIT)
- MACHINE SETUP screen (Drying/Exhaust FAN)
- MACHINE SETUP screen (Top blower ON)
- MACHINE SETUP screen (MEDIA REMAIN OFF)
- MACHINE SETUP screen (Media Detect Speed \*1 NORMAL)
- MACHINE SETUP screen (LANUGAGE)
- MACHINE SETUP screen (TIME)
- MACHINE SETUP screen (UNIT/TEMP. °C)
- MACHINE SETUP screen (UNIT/LENGTH mm)
- MACHINE SETUP screen (600ml cartridge \*1)
- MACHINE SETUP screen (KEY BUZZER ON)
- MACHINE SETUP screen (CONFIRM. FEED ON)
- MACHINE SETUP screen (SPACE FEED MODE)
- MACHINE SETUP screen (NETWORK)
- MACHINE SETUP screen (EVENT MAIL)
- MACHINE SETUP screen (Auto Remote \*1 OFF)
- MACHINE SETUP screen (RESET)

\*1: [AUTO POWER ON], [Media Detect Speed], [600ml cartridge], [Auto Remote] Applicable model: Plus series



## MACHINE SETUP MENU table

Function name		Set value		Default	Meaning
AUTO Power-off (☞ P.3-14)		NONE/ 10 ~ 600min		30min	When no operation has been performed for the set time, the power supply is automatically turned "OFF".
AUTO Power-on (Plus series) (☞ P.3-14)	SETUP	ON/OFF		OFF	The machine starts automatically at the set day of the week and time.
	Time	0:00 ~ 23:59 [1 minute unit]		0:00	
	Day	Each day of the week. ON/OFF		ON (All)	
TAKE-UP UNIT (☞ P.3-15)	TAKE-UP UNIT	ON/ OFF		ON	For setting whether the take-up unit is used or not used.
	TENSION BAR	ON/ OFF		OFF	For setting whether the optional tension bar is used or not used.
	TAKE-UP SW	Continuance/ Temporary		Continuance	Set the operation method when press the ON / OFF button on the take-up unit.
Drying/Exhaust FAN		Set when use the optional Drying / exhaust fan. For more information, please refer to the instruction manual that came with the Drying/exhaust fan.			
Top blower(☞ P.3-15) (ON)	ON / OFF		ON	Set the operation of the top blower in print.	
	STRENGTH	AUTO/WEAK/STANDARD		AUTO	Set the strength of the top blower in print.
MEDIA REMAIN (☞ P.3-16)		ON/ OFF		OFF	You can control the remaining amount of media.
Media Detect Speed (Plus series)		HIGH / NORMAL		NORMAL	Set the media detect speed.
LANGUAGE (☞ P.3-19)				English	Displayed language is changed.
TIME (☞ P.3-19)		+4h ~ -20h		Japan time	Time difference is corrected.
UNIT/ TEMP. (☞ P.3-19)		°C (Centigrade)/°F (Fahrenheit)		°C	A unit for displaying temperature is set.
UNIT/ LENGTH (☞ P.3-19)		mm / inch		mm	A unit for displaying length and area is set.
600ml cartridge *1 (Plus series) (☞ P.3-16)	case weight			-	Setting the weight of eco-cases.
	cartridge weight			-	Setting the weight of cartridges.
KEY BUZZER (☞ P.3-19)		OFF / ON		ON	A buzzer sound when keys are pressed is set.
CONFIRM. FEED (☞ P.3-20)		ON / OFF		ON	Set whether media feeding is performed for checking the result of the test printing etc. or not.
SPACE FEED MODE (☞ P.3-20)		INTERMITTENT / CONTINUOUS		INTERMITTENT	Change the feed mode of the margin included in the image data.
NETWORK (☞ P.3-20)	Set the network.				
	Check IP Addr.	The IP address currently used by this machine is displayed.			
	Check MAC Addr.	The IP address currently used by this machine is displayed.			
	DHCP	ON / OFF		-	When it is ON, the IP address given by the DHCP server is used.
	AutoIP	ON / OFF		-	When it is ON, the IP address is determined by the AutoIP protocol. However, DHCP is ON, DHCP has priority.
	IP Address *2	Set the IP address used by this machine.			
	Default Gateway *2	Set the default gateway used by this machine.			
	DNS Address *2	Set the DNS server address used by this machine.			
	SubNet Mask *2	Set the digit number of the subnet mask used by this machine.			
EVENT MAIL	Mail Delivery (☞ P.3-21)	ON / OFF		OFF	Set whether you send/ do not send the e-mail when the set event occurs.
	Select Event (☞ P.3-21)	Print Start Event	ON / OFF	OFF	Set whether you send/ do not send the e-mail at the start of printing.
		Print End Event	ON / OFF	OFF	Set whether you send/ do not send the e-mail at the end of printing.
		Error Event	ON / OFF	OFF	Set whether you send/ do not send the e-mail when a error occurs.
		Warning Event	ON / OFF	OFF	Set whether you send/ do not send the e-mail when a warning occurs.
		Other Event	ON / OFF	OFF	Set whether you send/ do not send the e-mail when an event other than the above occurs.
	Mail Address (☞ P.3-22)	Set the e-mail address to which you send the event mail.		-	Alphanumeric characters and symbols (within 96 characters)
Message Subject (☞ P.3-22)	Set the characters to write in the subject of the event mail.		-	Alphanumeric characters and symbols (within 8 characters)	

Function name		Set value	Default	Meaning	
EVENT MAIL	Server Setup (  P.3-22)	SMTP Address	-	Set the SMTP server.	
		SMTP Port No.	-	Set the SMTP port number.	
		SENDER ADDRESS		-	Set the e-mail address to be used as the sender mail address.
		Authentication	POP before SMTP	-	Set the SMTP server authentication method (SMTP authentication).
			SMTP Authentication	-	
			OFF	-	
		User Name *3		-	Set the user name used for the authentication.
		Pass Word *3		-	Set the password used for the authentication.
	POP3 Address *4		-	Set the POP server.	
	APOP *4		-	Set ON/ OFF of APOP.	
Transmit Test (  P.3-24)	Send the test e-mail.				
Auto Remote (Plus series) (  P.3-25)	ON / OFF	OFF	When data is received in the local mode, it automatically switches to the remote mode and sets whether to start printing.		
RESET(  P.3-25)		-	All setting values are returned to the status default.		

\*1. It is not displayed when the 600ml cartridge is not set in the ink slot. (Applicable model: Plus series)








\*2. Settable when both of DHCP and AutoIP are [OFF]

\*3. Settable only when Auth. is not OFF

\*4. Settable only when Auth. is POP before SMTP

## Setting a AUTO Power-off

When no operation has been performed for the set time, the power supply is automatically turned "OFF".

- 1 Press the **FUNC1 (MENU)**   (twice)  **ENTER** key in LOCAL.
  - MACHINE SETUP MENU will be displayed.
- 2 Press   to select "AUTO POWER OFF", and press the **ENTER** key.
- 3 Press   to select a set value, and press the **ENTER** key.
  - Set Value : none, 10 to 600min
- 4 Press the **END/POWER** key several times to end the setting.

## Setting a AUTO Power-on

- Applicable model: Plus series (FW Ver.1.30 or later)















The machine starts automatically at the set day of the week and time.

Combining the "AUTO Power-on" setting with the heater setting shortens the waiting time until print preparation.



- If you want to turn off the power automatically, use the "AUTO Power-off" function.

- 1 Press the **FUNC1 (MENU)**   (twice)  **ENTER** key in local mode.
  - MACHINE SETUP MENU will be displayed.

- 2 Press   to select "AUTO POWER ON", and press the **ENTER** key.
- 3 With "SETUP" selected, press the **ENTER** key.
- 4 Press   to select a set value, and press the **ENTER** key.
  - Set Value: ON/ OFF
  - ON: Auto Power-on
  - OFF: Not Auto Power-on
- 5 Press   to select "Time", and press the **ENTER** key.
- 6 Press **FUNC2**   to set the auto power-on time and press the **ENTER** key.
  - Set Value: 0:00 to 23:59 (24 hour system, 1 minute unit)
  - FUNC2**: Change in hours.
  -  : Change in minutes.
- 7 Press   to select "Day", and press the **ENTER** key.
- 8 Press   to select the day of the week to change the setting, and press **FUNC2** key to switch ON/OFF.
  - Set Value: ON/ OFF (Each day of the week)
  - ON: Auto power-on on the specified day of the week.
  - OFF: Do not turn on auto power-on the specified day of the week.

**9** After setting ON/OFF for all days, press the **ENTER** key.

**10** Press the **END/POWER** key several times to end the setting.

### Setting Take-up unit

Set the operation method when press the ON / OFF button on the take-up unit.

Also, when the optional tension bar is installed, for setting whether the tension bar is used or not used.

**1** Press the **FUNC1 (MENU)** (twice) **ENTER** key in LOCAL.

- MACHINE SETUP MENU will be displayed.

**2** Press **▲ ▼** to select "TAKE-UP UNIT", and press the **ENTER** key.

**3** Press the **ENTER** key.

- "TAKE-UP UNIT" will be selected.

**4** Press **▲ ▼** to select a set value, and press the **ENTER** key.

- Set Value : ON/ OFF

**5** Press **▼**, and press the **ENTER** key.

- "TENSION BAR" will be selected.

**6** Press **▲ ▼** to select a set value, and press the **ENTER** key.

- Set Value : ON/ OFF

**7** Press **▼**, and press the **ENTER** key.

- "TAKE-UP SW" will be selected.

**8** Press **▲ ▼** to select a set value, and press the **ENTER** key.

- Set Value : Continuance/ Temporary

Continuance :

Switching ON / OFF the winding operation when pressing the switch each time. (Take-up unit in operation does not stop until press again ON / OFF switch.)

Temporary :

Do the winding operation only while holding down the switch. (When release the switch, winding operation is stopped. )

**9** Press the **END/POWER** key several times to end the setting.

### Setting Top Blower

Set the operation of the top blower in print.

**1** Press the **FUNC1 (MENU)** (twice) **ENTER** key in LOCAL.

- MACHINE SETUP MENU will be displayed.

**2** Press **▲ ▼** to select "Top blower", and press the **ENTER** key.

**3** Press **▲ ▼** to select ON, and press the **ENTER** key.

- Select "ON" and it allows to select "strength".
- "Select OFF to not set top blower. Proceed to Step 6.

**4** Press **▲ ▼** to select "strength", and press the **ENTER** key.

- Set Value : AUTO / WEAK / STANDARD

**Important!**

• Basically, we recommend using the top blower by selecting "AUTO". An appropriate level of strength will be applied according to the ink type and profile\*1 you are using.

\*1) When using RL6

• When using top blower in Sb54 ink set, if bleeding or the like occurs, set to "WEAK".

When "WEAK" is selected, bleeding may be eliminated.

• If you mind the smell of ink, use by turning the top blower setting OFF. Note that when the machine is used with the top blower setting turned OFF, its drying performance goes down.

**5** Press the **END/POWER** key several times to end the setting.

## Setting the Display of Media Residual

Whether the screen displays the remaining amount of a media is set.

<b>When the media remaining amount display is turned to "ON"</b>	the remaining amount of a media is displayed in Remote. (However, when a leaf media is used, the length of the media to be printed is displayed.)
<b>When the media remaining amount display is turned to "OFF"</b>	the remaining amount of a media is not displayed in the Remote.



- The amount of a media that has been fed by the printing and jog keys is reflected in the remaining amount of a media.
- The length of a media (initial value of the remaining amount) is entered when a roll media is detected. (P.2-7)
- The setting configured here does not become effective unless media detection is performed after the setting has been complete.

**1** Press the **FUNC1 (MENU)** (twice) → **ENTER** key in LOCAL.

- MACHINE SETUP MENU will be displayed.

**2** Press **▲ ▼** to select "MEDIA REMAIN", and press the **ENTER** key.

**3** Press **▲ ▼** to select ON/OFF.

**4** Press the **ENTER** key.

**5** Press the **END/POWER** key several times to end the setting.



- When set "ON" the media remaining display, you can print the list of current media remaining amount and the date. (P.2-8)

## When using 600 ml cartridge

### Requisite for the 600 ml cartridge

Eco Case	The 600 ml ink pack and the attached ink IC chip are put in the eco case and used.
600 ml Ink Pack	This is referred to as "600 ml cartridge" in this manual.
Ink IC Chip *1	
Scale	To calculate the remaining ink quantity, input the weight of the eco case and the 600 ml cartridge into this machine. Use a scale for weight measuring. (To manage the accurate remaining ink quantity, prepare the scale that can weigh in one gram unit.)

\*1. Attached to the 600ml ink pack.

### Mounting/removing 600 ml ink pack

Be sure to put the ink pack and the ink IC chip in the eco case for setting the 600 ml cartridge on the ink station.

### Precaution for using 600 ml cartridge

Be sure to put the ink pack and the ink IC chip in the eco case for setting the 600 ml cartridge on the ink station.



- This machine cannot judge whether the 600 ml ink pack is in the eco case or not. When using the 600 ml cartridge, be sure to attach the ink pack.
- Setting an eco case without ink IC chip on the machine will break this machine. Be sure to attach the ink IC chip to the eco case before use.

### Registering weight of eco case

Register the eco case weight on this machine to calculate the remaining ink quantity from the weight of the 600 ml cartridge.



#### Register the weight of the eco case in the following cases.



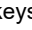
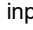

- For using the 600 ml cartridge for the first time
- When the case weight is changed by replacing the eco case.



- The weight of each eco case slightly differs respectively. To control accurate ink quantity, be sure to register the weight of each eco case.















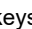
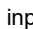
## When using 600 ml cartridge for the first time



When the 600 ml cartridge is set in the slot of the ink station, the weight registration function of the eco case automatically starts.

- 1 Measure the weight of the eco case.**
  - Measure the weight of the eco case only in advance.
  - If the 600 ml ink pack is in the eco case, remove the 600 ml ink pack and perform measurement.
- 2 Set the 600 ml cartridge in the ink station.**
  - Mount the 600 ml ink pack and the ink IC chip on the eco case, and set it to the ink slot.
  - The input screen for the weight of the eco case will be displayed.
- 3 Press   to input the weight of the eco case.**
  - Press the [][] keys to input the weight.
- 4 Press the  key.**
  - For setting 600 ml cartridges in multiple slots, repeat the procedures in Step 2 and 3.
  - After all registration is completed, the device will return to the status before the weight registration function was initiated.

## When the eco case weight is changed



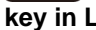












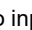


When the case weight is changed by replacing the eco case, register the weight of the eco case in the following procedures.

- 1 Press the   (twice)  key in LOCAL.**
  - MACHINE SETUP MENU will be displayed.
- 2 Press the  .**
- 3 Press   to select "600ml Cartridge", and press the  key.**
  - When the 600 ml cartridge is not set, "600 ml Cartridge" will not be displayed.
  - It is recommended to measure the weight of the eco case in advance and perform the procedure from the Step 3.
- 4 Press the  key.**
- 5 Press   and  key, to select the [Slot].**
  - The selected slot is highlighted.
- 6 Press the  key.**
- 7 Press   to input the weight of the eco case.**
  - Press the [][] keys to input the weight.

- 8 Press the  key.**
  - The slot selection screen is displayed again.
  - When you want to register the weight of another slot continuously, repeat the Step 4 to select a slot.
- 9 Press the  key several times to end the setting.**

## Registering the total weight of the ink cartridge

When you have to correct the amount of remaining ink, follow the steps below to register the total weight of the ink cartridge.

- 1 Press the   (twice)  key in LOCAL.**
  - MACHINE SETUP MENU will be displayed.
- 2 Press the  .**
- 3 Press   to select "600ml Cartridge", and press the  key.**
  - When the 600 ml cartridge is not set, "600 ml Cartridge" will not be displayed.
  - It is recommended to measure the weight of the eco case in advance and perform the procedure from the Step 3.
- 4 Press  , and press the  key.**
- 5 Press   key, to select the [Slot].**
- 6 Press the  key.**
- 7 Press   to input the weight of the cartridge.**
  - Press the [][] keys to input the weight.
- 8 Press the  key.**
  - The slot selection screen is displayed again.
  - When you want to register the weight of another slot continuously, repeat the Step 4 to select a slot.
- 9 Press the  key several times to end the setting.**

## When [Ink Level low] is displayed

When quantity of the remaining 600 ml ink becomes low, a warning [Ink Level] appears.

Enter the weight of the cartridge with the Ink Level Set function.

**Important!**

- This machine recalculates usable amount of remaining ink by entering the weight of the 600 ml cartridge.
- Ink Level Set function starts by resetting the 600 ml cartridge indicating [Ink Level] warning in the local mode or remote mode (during waiting or printing).
- Weight the cartridge exactly down to the gram. Entering a larger weight than the actual one may cause Nozzle Drop Out.

### Using Ink Level Set function

#### 1 If [Ink level low] is displayed, remove the 600ml cartridge and measure the weight of the 600ml cartridge.

- Be sure to measure the weight of the eco case including the 600 ml ink pack.



Ink Level Low  
2.45

Displays the cartridge causing [Ink Level] warning.



- Use the “Ink level End” display as a guide for replacing the ink pack.
- If ink remains much in the ink pack even when “Ink level End” is displayed, proceed to the Step 2 and the subsequent steps.

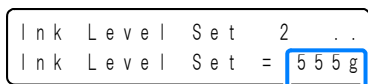
**Important!**

- Ink in the ink pack cannot be completely used up. To prevent ink supply errors, about 30 ml of ink must remain in the ink pack.

#### 2 Reset the 600 ml cartridge.

#### 3 Press .

#### 4 Press to input the weight of the 600ml cartridge.




Ink Level Set 2 . . .  
Ink Level Set = 555g

- Press the [][] keys to input the weight.


#### 5 Press the key twice.

- Usable amount of remaining ink is recalculated.
- The contents displayed differ depending on the amount of remaining ink.
- If the [Ink Level] warning has occurred on multiple cartridges, repeat step 4.

##### (1) When ink still remains

- Return to the local mode or the remote mode.
- [Ink Level] warning disappears and the state of the 600 ml cartridge that Ink Level Set function was performed changes to [INK NEAR END] warning.
- [INK NEAR END] warning can be checked on the guidance function. ( P.3-30)

##### (2) When no ink remains

- A message for replacing the ink pack is displayed.
- Press the [ENTER] key to return to the local mode or the remote mode.
- [Ink Level] warning is still displayed and the state of the 600 ml cartridge that Ink Level Set function was performed changes to [INK END] warning.
- [INK END] warning can be checked on the guidance function. ( P.3-30)

**Important!**

- Once a message for replacing the ink pack appears, immediately replace the target ink pack with a new one. (Usable ink has been used up.)
- Ink in the ink pack cannot be completely used up. To prevent ink supply errors, about 30 ml of ink must remain in the ink pack. (Before shipping, more than 630 ml of ink is filled in the ink pack to use 600 ml.)

### When an error occur in the Step 5

This function stores the calculated quantity of remaining ink in the ink IC chip of the 600ml cartridge.

If the 600ml cartridge is removed or there is a problem on the contact of this machine and the ink IC chip, the data storage in the ink IC chip cannot be performed. In this case, the error message “ERROR 614 Preservation Fail” will be displayed.

If the message is displayed, reinsert the 600ml cartridge and follow the procedures from the Step 2 again.

## Error when performing maintenance function

When performing the maintenance function such as the head cleaning or the ink filling for the 600 ml cartridge, selected functions can be performed if the quantity of remaining ink is enough to execute the function, even if the ink near end occurs.

If the quantity of remaining ink is not enough, a error message “ERROR 614 Preservation Fail” appears, and selected maintenance function is not performed.



## Setting a LANGUAGE

You can change the displayed language.

- 1 Press the **FUNC1 (MENU)**  $\rightarrow$  **▼** (twice)  $\rightarrow$  **ENTER** key in LOCAL.
  - MACHINE SETUP MENU will be displayed.
- 2 Press the **FUNC3 (>>)** .
- 3 Press **▲** **▼** to select "LANGUAGE", and press the **ENTER** key.
- 4 Press **▲** **▼** to select language, and press the **ENTER** key.
- 5 Press the **END/POWER** key several times to end the setting.

## Setting Time

You can set time of your country (time difference).

- 1 Press the **FUNC1 (MENU)**  $\rightarrow$  **▼** (twice)  $\rightarrow$  **ENTER** key in LOCAL.
  - MACHINE SETUP MENU will be displayed.
- 2 Press the **FUNC3 (>>)** .
- 3 Press **▲** **▼** to select "TIME", and press the **ENTER** key.
- 4 Press **▲** **▼** **◀** **▶** to enter time, and press the **ENTER** key.
  - Year/Month/Day/Time selecting: by the [**◀**][**▶**] keys.
  - Year/Month/Day/Time inputting: by the [**▲**][**▼**] keys.
- 5 Press the **END/POWER** key several times to end the setting.



• -20 hours to +4 hours can be set.

## Setting Unit (Temperature/ Length)

Units used by this machine are set.

- 1 Press the **FUNC1 (MENU)**  $\rightarrow$  **▼** (twice)  $\rightarrow$  **ENTER** key in LOCAL.
  - MACHINE SETUP MENU will be displayed.
- 2 Press the **FUNC3 (>>)** .
- 3 Press **▲** **▼** to select "UNIT/TEMP." or "UNIT/LENGTH", and press the **ENTER** key.
  - MACHINE SETUP MENU will be displayed.
- 4 Press **▲** **▼** to select a set value, and press the **ENTER** key.
  - Set value of tempture : °C / °F
  - Set value of length : mm / inch
- 5 Press the **END/POWER** key several times to end the setting.

## Setting a KEY BUZZER

You can turn off the buzzer sound when pressing the key.

- 1 Press the **FUNC1 (MENU)**  $\rightarrow$  **▼** (twice)  $\rightarrow$  **ENTER** key in LOCAL.
  - MACHINE SETUP MENU will be displayed.
- 2 Press the **FUNC3 (>>)** .
- 3 Press **▲** **▼** to select "KEY BUZZER", and press the **ENTER** key.
- 4 Press **▲** **▼** to select a set value, and press the **ENTER** key.
  - Set value : ON/ OFF
- 5 Press the **END/POWER** key several times to end the setting.



• When the key buzzer is set to "OFF", the buzzer sound for errors, warnings, operation completion, etc. cannot be shut off.

## Setting the CONFIRM. FEED

Set whether media feeding is performed for checking the result of the test printing etc. or not.


- 1 Press the **FUNC1 (MENU)** (twice) → **ENTER** key in LOCAL.  
• MACHINE SETUP MENU will be displayed.
- 2 Press the **FUNC1 (<<)**.
- 3 Press **▲ ▼** to select “CONFIRM. FEED”, and press the **ENTER** key.
- 4 Press **▲ ▼** to select a set value, and press the **ENTER** key.  
• Set value : ON/ OFF
- 5 Press the **END/POWER** key several times to end the setting.

## Setting the SPACE FEED MODE

Change the feed mode of the margin included in the image data (the space of no data to be printed). If print data with much margin, set to “continuous”, then the print time can be shorten.

- 1 Press the **FUNC1 (MENU)** (twice) → **ENTER** key in LOCAL.  
• MACHINE SETUP MENU will be displayed.
- 2 Press the **FUNC1 (<<)**.
- 3 Press **▲ ▼** to select “SPACE FEED MODE”, and press the **ENTER** key.
- 4 Press **▲ ▼** to select a set value, and press the **ENTER** key.  
INTERMITTENT : Perform intermittent feed operation of the path division unit  
CONTINUOUS : Feed the no data part at a time
- 5 Press the **END/POWER** key several times to end the setting.

## Set the network

- 1 Press the **FUNC1 (MENU)** (twice) → **ENTER** key in LOCAL.  
• MACHINE SETUP MENU will be displayed.
- 2 Press the **FUNC1 (<<)**.
- 3 Press **▲ ▼** to select “NETWORK”, and press the **ENTER** key.
- 4 Press the **ENTER** key.  
• “CHECK IP ADDRESS” will be selected.  
• The IP address currently used by this machine is displayed.  
• When you have finished the check, press the [ENTER] key.  
 • After connecting with the network, it takes time until the IP address is determined. If the IP address has not been determined, “0.0.0.0” is displayed.
- 5 Press **▼**, and press the **ENTER** key.  
• “CHECK MAC ADDRESS” will be selected.  
• The MAC address currently used by this machine is displayed.  
• When you have finished the check, press the [ENTER] key.
- 6 Press **▼**, and press the **ENTER** key.  
• “DHCP” will be selected.
- 7 Press **▲ ▼** to select a set value, and press the **ENTER** key.  
• Set value : ON/ OFF  
• When it is ON, the IP address given by the DHCP server is used.
- 8 Press **▼**, and press the **ENTER** key.  
• “AutoIP” will be selected.
- 9 Press **▲ ▼** to select a set value, and press the **ENTER** key.  
• Set value : ON/ OFF  
• When it is ON, the IP address is determined by the AutoIP protocol. However, DHCP is ON, DHCP has priority.
- 10 Press **▼**, and press the **ENTER** key.  
• “IP ADDRESS” will be selected.
- 11 Press **▲ ▼** to select a set value, and press the **ENTER** key.  
• Set value : ON/ OFF  
• Both of DHCP and AutoIP is OFF, you can set IP Address. For other than above, proceed to the Step 14.

- 12** Press the **FUNC3** key .
- The setting items DEFAULT GATEWAY, DNS ADDRESS and SUBNET MASK will be displayed.
  - Both of DHCP and AutoIP is OFF, you can set DEFAULT GATEWAY/ DNS ADDRESS/ SUBNET MASK. For other than above, proceed to the Step 14.
- 13** Press the **▼** several times to select setting item, and press the **ENTER** key.
- 14** Press **▲▼** to select a set value, and press the **ENTER** key.
- 15** Press the **END/POWER** key several times to end the setting.



- To reflect network setting, once turn off the power supply and then turn it on again.

### Setting event mail function

Set the function to send e-mails to the set e-mail address when events such as cutting start/ end and stop due to an error.

- Disclaimer
- The customer is responsible for the communication fee for Internet communication such as e-mail notification.
- The notification by the event mail function may not be delivered due to Internet environment, failure of the device/ the power supply, etc. Mimaki has absolutely no responsibility for any damages or loss resulting from non-delivery or delays.



- You can use event mail function by connecting LAN to this machine. Please prepare for LAN cable connection beforehand.
- Not compatible with SSL communication.

### Enable the event mail function

- 1** Press the **FUNC1** (MENU) **▶▼** (twice times) **▶ENTER** key in LOCAL.
- MACHINE SETUP MENU will be displayed.
- 2** Press the **FUNC1** (**>>**) .
- 3** Press **▲▼** to select “EVENT MAIL”, and press the **ENTER** key.
- 4** Press the **ENTER** key.
- “MAIL DELIVERY” will be selected.
- 5** Press **▲▼** to select “ON”, and press the **ENTER** key.
- 6** Press the **END/POWER** key several times to end the setting.

### Set the event to send an event mail

- 1** Press the **FUNC1** (MENU) **▶▼** (twice times) **▶ENTER** key in LOCAL.
- MACHINE SETUP MENU will be displayed.
- 2** Press the **FUNC1** (**>>**) .
- 3** Press **▲▼** to select “EVENT MAIL”, and press the **ENTER** key.
- 4** Press **▼**, and press the **ENTER** key.
- “SELECT EVENT” will be selected.
- 5** Press **▲▼** to select the event, and press the **FUNC2** (**✓**).
- After selecting the event, press the [FUNC2] key and put a check in the check box.  
An email will be sent when the event whose box has been checked occurs.
  - To select multiple events, use [**▲**][**▼**] to put the cursor over the events you want, and put a check in their boxes by pressing [FUNC2].

Event name	Outline
PRINT START	Sets sending/not sending of an email when printing starts.
PRINT END	Sets sending/not sending of an email when printing ends.
ERROR	Sets sending/not sending of an email when printing is stopped due to occurrence of an error.
WARNING	Sets sending/not sending of an email when a warning occurs during printing.
etc.	Sets sending/not sending of an email when an event other than the above occurs.

- 6** Press the **END/POWER** key several times to end the setting.


## Set the e-mail address



- 1 Press the **FUNC1 (MENU)** (twice times) **ENTER** key in LOCAL.
  - MACHINE SETUP MENU will be displayed.
- 2 Press the **FUNC1 (>>)**.
- 3 Press **▲ ▼** to select “EVENT MAIL”, and press the **ENTER** key.
- 4 Press **▼** twice, and press the **ENTER** key.
  - “MAIL ADDRESS” will be selected.
- 5 Press **▲ ▼ ◀ ▶** to set mail address, and press the **ENTER** key.
  - Set the e-mail address to which you send the event mail.
  - Set it with alphanumeric characters and symbols within 96 characters.
- 6 Press the **END/POWER** key several times to end the setting.

## Set the subject

- 1 Press the **FUNC1 (MENU)** (twice times) **ENTER** key in LOCAL.
  - MACHINE SETUP MENU will be displayed.
- 2 Press the **FUNC1 (>>)**.
- 3 Press **▲ ▼** to select “EVENT MAIL”, and press the **ENTER** key.
- 4 Press **▼** 3 times, and press the **ENTER** key.
  - “MESSAGE SUBJECT” will be selected.
- 5 Press **▲ ▼ ◀ ▶** to set subject, and press the **ENTER** key.
  - Set the characters to write in the subject of the event mail.
  - Set it with alphanumeric characters and symbols within 8 characters.
- 6 Press the **END/POWER** key several times to end the setting.




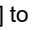
## Set the server

- 1 Press the **FUNC1 (MENU)** (twice times) **ENTER** key in LOCAL.
    - MACHINE SETUP MENU will be displayed.
  - 2 Press the **FUNC1 (>>)**.
  - 3 Press **▲ ▼** to select “EVENT MAIL”, and press the **ENTER** key.
  - 4 Press **▼** 4 times, and press the **ENTER** key.
    - “SERVER SETUP” will be selected.
  - 5 Press the **ENTER** key.
    - “SMTP ADDRESS” will be selected.
  - 6 Press **▲ ▼ ◀ ▶** to set SMTP Address, and press the **ENTER** key.
    - Press the jog key [**▲**][**▼**][**◀**][**▶**] to set SMTP address.
    - Input the SMTP address name.
  - 7 Press **▼**, and press the **ENTER** key.
    - “SMTP PORT No.” will be selected.
  - 8 Press **▲ ▼** to set SMTP Port No., and press the **ENTER** key.
    - Set the SMTP port number.
  - 9 Press **▼**, and press the **ENTER** key.
    - “SENDER ADDRESS” will be selected.
  - 10 Press **▲ ▼ ◀ ▶** to set SENDER ADDRESS, and press the **ENTER** key.
    - Press [**▲**][**▼**][**◀**][**▶**] and set the e-mail address to be used as the sender mail address.
    - Set it with alphanumeric characters and symbols within 64 characters.
-  Depending on your server, if you do not set the e-mail address not supporting the account, sending/ receiving e-mails may be unavailable.
- 11 Press **▼**, and press the **ENTER** key.
    - “AUTHENTICATION” will be selected.
  - 12 Press **▲ ▼** to set authentication method, and press the **ENTER** key.
    - Set the authentication method of the SMTP server.
    - When you select [OFF], proceed to the Step 20.
  - 13 Press **▼**, and press the **ENTER** key.
    - “USER NAME” will be selected.
  - 14 Press **▲ ▼ ◀ ▶** to set User Name, and press the **ENTER** key.
    - Press [**▲**][**▼**][**◀**][**▶**] to set the user name to use for the authentication.
    - Set it with alphanumeric characters and symbols within 30 characters.

**15** Press , and press the  key.

- “PASSWORD” will be selected.

**16** Press     to set Pass Word, and press the  key.

- Press [][][][] to set the password to use for the authentication.
- Set it with alphanumeric characters and symbols within 15 characters.

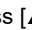


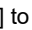


- On the password setting screen, you can only check the value that you are currently inputting.
- When you select [POP before SMTP] in the Step 11, set the items in the Step 16 to 19.

**17** Press , and press the  key.




- “POP3 ADDRESS” will be selected.


**18** Press     to set POP3 Address, and press the  key.

- Press [][][][] to set POP server.
- Input the POP server name.

**19** Press , and press the  key.

- “APOP” will be selected.

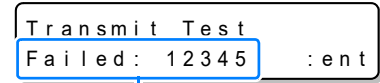
**20** Press   to set ON/ OFF, and press the  key.

**21** Press the  key several times to end the setting.

### Send a test e-mail

- 1** Press the **FUNC1 (MENU)**  $\rightarrow$  **▼** (twice times)  $\rightarrow$  **ENTER** key in LOCAL.
  - MACHINE SETUP MENU will be displayed.
- 2** Press the **FUNC1 (>>)** .
- 3** Press **▲** **▼** to select “EVENT MAIL”, and press the **ENTER** key.
- 4** Press the **FUNC3 (>>)**  $\rightarrow$  **ENTER** key.
  - “TRANSMIT TEST” will be selected.

- 5** Press the **ENTER** key.
  - The sent result is displayed.
  - If sending test e-mail has failed, an error code is displayed.  
Refer to the next page to solve the problem.



- 6** Press the **END/POWER** key several times to end the setting.

**Important!**

- The sent result of the test e-mail is the result of e-mail sending process performed by this machine to the e-mail server. It does not indicate that the e-mail was received at the address.
- If the spam e-mail filter etc. has been set in the terminal in which e-mails are received, even if “Sending has been completed” is displayed, the e-mail cannot be received in some cases.
- If sending test e-mail has failed, the error code below is displayed.
- If the error cannot be solved, try again after a while.
- For the server setting etc., contact with the network administrator or the provider.

Error Code	The expected casus	Remedy
10	Network connection error	<ul style="list-style-type: none"> <li>• Check that the machine is connected with the network.</li> <li>• Check that the machine IP address is correct.</li> <li>• Check that the machine is in the environment where DNS is available.</li> </ul>
20	No valid e-mail address.	<ul style="list-style-type: none"> <li>• Enter the correct e-mail address.</li> </ul>
11003 11004	The POP server cannot be found. Or cannot access DNS server.	<ul style="list-style-type: none"> <li>• Check the POP server address.</li> <li>• Check that the machine is in the environment where DNS is available.</li> </ul>
11021	Cannot connect with the POP server.	<ul style="list-style-type: none"> <li>• Check the POP server setting.</li> <li>• Check the firewall setting.</li> </ul>
12010	An error returns from the POP server.	<ul style="list-style-type: none"> <li>• Check the POP server setting.</li> </ul>
13000	The POP authentication has failed.	<ul style="list-style-type: none"> <li>• Check the user name and the password.</li> <li>• Check the APOP setting.</li> <li>• Confirm the authentication method.</li> </ul>
10013 10014	The SMTP server cannot be found. Or cannot access DNS server.	<ul style="list-style-type: none"> <li>• Check the SMTP server address.</li> <li>• Check that the machine is in the environment where DNS is available.</li> </ul>
10021	Cannot connect with the SMTP server.	<ul style="list-style-type: none"> <li>• Check the SMTP server setting.</li> <li>• Check the SMTP port number.</li> <li>• Check the firewall setting.</li> </ul>
10*** 11*** 20*** 21***	An error returns from the SMTP server. Or, there was no response.	<ul style="list-style-type: none"> <li>• Check the SMTP server setting.</li> <li>• Cannot communicate with a server that requires mandatory SSL communication.</li> <li>• Check protocol filter settings.</li> </ul>
12***	It is invalid sender address.	<ul style="list-style-type: none"> <li>• Check that the e-mail address supporting the account entered in the user name/ the password is set in SENDER ADDRESS.</li> </ul>
13***	The e-mail address cannot be found. Or, it is invalid sender address.	<ul style="list-style-type: none"> <li>• Check the e-mail address.</li> <li>• Even if there is a mistake in the e-mail address, this error cannot be detected in some cases.</li> <li>• Check that the e-mail address supporting the account entered in the user name/ the password is set in SENDER ADDRESS.</li> </ul>
22000 22008	SMTP authentication error	<ul style="list-style-type: none"> <li>• Confirm the authentication method.</li> </ul>
23*** 24*** 25***	The SMTP authentication has failed.	<ul style="list-style-type: none"> <li>• Check the user name and the password.</li> </ul>

“\*\*\*” is the error code returned from the e-mail server.

## Automatic remote

### ● Applicable model: Plus series (FW Ver.1.30 or later)

When data is received in local mode, it automatically switches to remote mode and starts printing.

- 1 Press **FUNC1 (MENU)** → **▼** (twice) → **ENTER** key in local mode.
  - MACHINE SETUP MENU will be displayed.
- 2 Press **FUNC3 (>>)**.
- 3 Press **▲ ▼** to select "Auto Remote", then press the **ENTER** key.
- 4 Press **▲ ▼** to select "ON/OFF", then press the **ENTER** key.
  - **ON**: When data is received in local mode, it automatically shifts to REMOTE and starts printing.
  - **OFF**: Remote transfer by pressing.
- 5 Press the **END/POWER** key several times to end the setting.

## Initializing the Settings

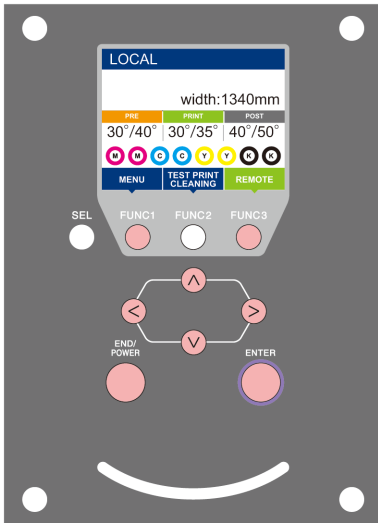
You can return the setting of "SETUP", "MAINTENANCE" and "MACHINE SETUP" to the status before shipment.

- 1 Press the **FUNC1 (MENU)** → **▼** (twice) → **ENTER** key in LOCAL.
  - MACHINE SETUP MENU will be displayed.
- 2 Press the **FUNC1 (>>)** .
- 3 Press **▲ ▼** to select "RESET", and press the **ENTER** key.
- 4 Press the **ENTER** key.
  - The already configured settings are initialized.
- 5 Press the **END/POWER** key several times to end the setting.



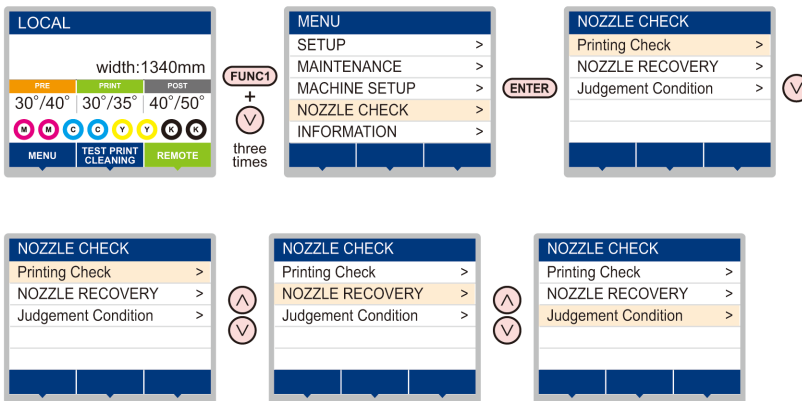
# About NOZZLE CHECK MENU

Set operations concerning the nozzle missing detection function.



- FUNC1** : Press this to select INFORMATION MENU, or to switch to the previous screen.
- FUNC3** : Press this to switch to the next screen.
- ▲ ▼** : Use these to select a setting item.
- ENTER** : Press this to confirm a setting, etc..

## ◆ NCU MENUs at-a-glance



## INFORMATION MENU table

Function name		Set value	Default	Meaning	
(ON)	Printing Check (☞ P.3-28)	ON/OFF	OFF	Set this when you want to conduct nozzle check at the beginning of online printing.	
		Check Interval	LENGTH	0.1 to 50.0m	30.0 m
	FILE		1 to 100	30 file	Conducts nozzle check at each set number of files. *1
	Action	CLEANING	OFF/ SOFT/ NORMAL/ HARD	SOFT	Sets the type of cleaning performed during recovery work.
RETRY COUNT		0 to 3	0	Repeats the retry operation for the set number of times.	
NOZZLE RECOVERY (☞ P.3-28)		ON/OFF	OFF	Set this when you want to conduct automatic nozzle recovery.	
Judgement Condition (☞ P.3-28)		1 to 180	1	Sets how many missing nozzles are detected for "Nozzle Missing" judgment to be made according to each color. (Maximum 16 per 1 nozzle line)*2	

\*1. When the set length is reached during printing, nozzle check is conducted at the start of the next printing.

\*2. Depending on the print conditions, nozzle recovery is not applied in some cases.

## Printing Check Flow

Nozzle check is conducted according to the following flow at the start of printing.



- Turn the “Printing Check” setting ON to be enabled.
- Perform RETRY COUNT and NOZZLE RECOVERY settings only when the settings are enabled.

### 1 nozzle check → Judgment

Detects missing nozzles.

### 2 Recovery operation → nozzle check → Judgment

If more missing nozzles than “Judgment Condition” are detected after the nozzle check, cleaning is performed and nozzle check is conducted again.

### 3 Retry → Judgment

If more missing nozzles than “Judgment Condition” are detected after the recovery operation, the recovery operation is conducted again.

- If the “RETRY COUNT” setting is configured to 1 or more, this becomes effective.

### 4 Nozzle Recovery → Judgment

Nozzle recovery is automatically conducted following nozzle check and recovery operation.

- Turn the “NOZZLE RECOVERY” setting ON to be enabled.

### 5 Nozzle Missing judgment

If more missing nozzles than “Judgment Condition” are eventually detected, it is determined that printing can not be continued, and printing is stopped.

3

## Printing Operations at “Nozzle Missing” Judgment and Error Occurrence

- When judged to be “Nozzle Missing” → Printing is stopped.
- When error occurs during nozzle check → Printing is stopped and “Printing Check” is automatically turned OFF. After recovering from the error, set “Printing Check” once again.

## Setting the Printing Check

Select ON when you want to conduct nozzle check at the start of online printing.

- 1** Press the **FUNC1 (MENU) → ▾** (3 times) → **ENTER** key in LOCAL.
  - NOZZLE CHECK MENU will be displayed.
- 2** Press the **ENTER** key.
  - “Printing Check” will be selected.
- 3** Press **▲ ▾** to select ON, and press the **ENTER** key.
  - The “Check Interval” setting screen will be displayed.
  - “Select OFF to not set nozzle check. Proceed to Step 11.
- 4** Press the **ENTER** key.
- 5** Press **▲ ▾** to select setting item, and press the **ENTER** key.
  - select the nozzle check interval from “LENGTH” or “FILE”.
    - LENGTH** : nozzle check is conducted when the printed length reaches the set length.
    - FILE** : nozzle check is conducted when the number of printed files reaches the set number.
- 6** Press **▲ ▾** to select setting value, and press the **ENTER** key.
  - The set value will differ according to the setting selected in Step 5.
    - LENGTH** : 0.1 to 100 m
    - FILE** : 1 to 300 files
- 7** Press the **ENTER** key twice.
  - The “Action” setting screen will be displayed.
- 8** Press the **ENTER** key.
  - “CLEANING TYPE” will be selected.
- 9** Press **▲ ▾** to select cleaning type, and press the **ENTER** key.
  - Setting value : OFF/SOFT/ NORMAL/ HARD
- 10** Press **▲ ▾** to select retry count, and press the **ENTER** key.
  - Setting value : 0 to 3
- 11** Press the **END/POWER** key several times to end the setting.


## Setting the NOZZLE RECOVERY

set this if you want to conduct automatic nozzle recovery when nozzle missing is detected.

- 1** Press the **FUNC1 (MENU) → ▾** (3 times) → **ENTER** key in LOCAL.
  - NOZZLE CHECK MENU will be displayed.
- 2** Press **▾**, and press the **ENTER** key.
  - “NOZZLE RECOVERY” will be selected.
- 3** Press **▲ ▾** to select ON/OFF, and press the **ENTER** key.
- 4** Press the **END/POWER** key several times to end the setting.

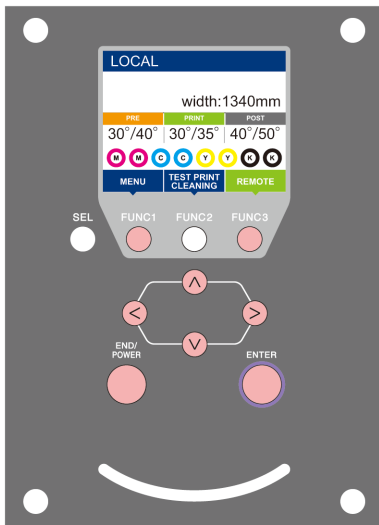
## Setting the Judgment Condition

Set the conditions for judging nozzle missing.

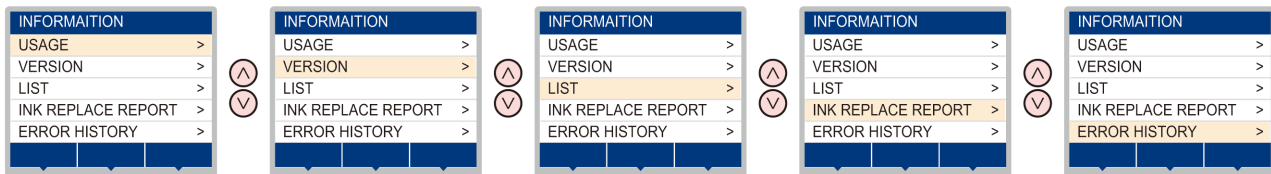
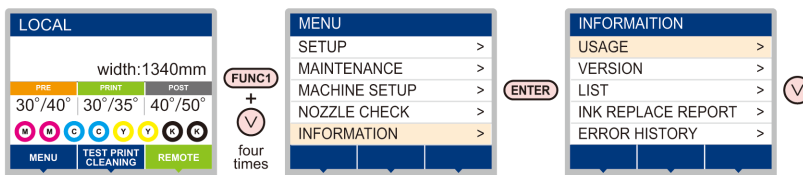
- 1** Press the **FUNC1 (MENU) → ▾** (3 times) → **ENTER** key in LOCAL.
  - NOZZLE CHECK MENU will be displayed.
- 2** Press **▾** twice, and press the **ENTER** key.
  - “Judgement Condition” will be selected.
- 3** Press **▲ ▾** to select color, and press the **ENTER** key.
  - The type of color changes depending on the ink set.
    - 
- 4** Press **▲ ▾** to set the number of nozzles for judgment, and press the **ENTER** key.
- 5** Press the **END/POWER** key several times to end the setting.

# About INFORMATION MENU

The information of this machine can be confirmed.  
The following items can be confirmed as machine information.



- FUNC1** : Press this to select INFORMATION MENU, or to switch to the previous screen.
- FUNC3** : Press this to switch to the next screen.
- ▲▼** : Use these to select a setting item.
- ENTER** : Press this to confirm a setting, etc..



## INFORMATION MENU table

Item		Description
USAGE	WIPING	This displays how many wipings have been done.
	WASTE TANK	This displays how much waste ink has built up in the waste ink tank, as a rough percentage of the tank capacity.
	PRINT LENGTH	This displays the total length of the printing done to date.
	PRINT AREA	This displays the total area of the printing done to date.
	USE TIME	This displays the total time for which the printer has been used to date.
	Spout Rubber	This displays the total time for which Spout Rubber has been used. (Only displayed when MBIS is used)
VERSION		This displays the version information of this machine.
LIST		This allows you to print the settings of this machine.
Ink REPL. Report		This prints ink history of this machine.
ERROR HISTORY		This displays the history of errors and warnings to date. When you press [▲][▼], the date of occurrence (year/month/day/hour/minute) and the error/warning information are displayed alternately in the order of occurrence.

## Displaying the Information

1

Press the **FUNC1 (MENU)** → **▼** (4 times) → **ENTER** key in LOCAL.

- INFORMATION MENU will be displayed.

2

Press **▲** **▼** to select a information.

- Refer to the “INFORMATION MENU”, and select the information to be displayed.

3

Press the **ENTER** key.

- If you selected [LIST] in step 2, the machine's settings will be printed.

4

Press the **END/POWER** key several times to end the setting.



- When you reset the used count of the wiper, press the [FUNC2] key while [RESET?] is displayed. When you press the [ENTER] key, the number of wipings is reset.
- By pressing the function key during display of “WIPING information,” “WASTE TANK information” and “Spout Rubber” in USAGE, the used counts can be reset.

**When resetting WIPING information** : Press the [FUNC2]

**When resetting WASTE TANK information** : Press the [FUNC1]

**When resetting Spout Rubber** : Press the [FUNC3]

# Chapter 4

## Maintenance



### This chapter

describes the items required to use this machine more comfortably, which are the methods for the daily care, the maintenance of the ink cartridges etc.








Maintenance .....	4-2	Nozzle Recovery Function .....	4-14
Precautions for Maintenance .....	4-2	Reset the set value .....	4-15
About Cleaning Solution.....	4-2	Set Whether to Enable NOZZLE RECOVERY	
Cleaning the Exterior Surfaces .....	4-2	During TEST PRINT .....	4-15
Cleaning the Platen .....	4-2	Automatic Maintenance Function .....	4-15
Cleaning the Media Sensor .....	4-3	Setting the Refreshing Intervals .....	4-15
Cleaning the Media Press .....	4-3	Setting the Pump Tube & Nozzle Wash Intervals	
Cleaning the Jam Sensor .....	4-3	4-16	
Replacing the exhaust BOX filter or exhaust		Setting the Cleaning Intervals and Type ....	4-16
BOX .....	4-3	Fill up Ink .....	4-17
Replace the blow down fan filter .....	4-4	Ink Maintenance .....	4-17
Replace the CP pad set .....	4-5	Ink Maintenance (Except white and orange ink)	
Cleaning or replace the pinch roller .....	4-5	.....	4-17
About MAINTENANCE MENU .....	4-6	White Ink Maintenance .....	4-17
MAINTENANCE MENUs at-a-glance .....	4-7	Orange Ink Maintenance .....	4-18
Daily care other than the maintenance menu ....		Replacing consumables .....	4-18
.....	4-7	Replacing the wiper .....	4-18
Maintaining the Capping Station .....	4-8	If a Waste Ink Tank Confirmation Message Ap-	
Cleaning the Wiper and Cap .....	4-8	pears .....	4-19
Washing the Head Nozzle .....	4-9	Replacing the waste ink tank before the waste ink tank con-	
Washing the Ink Discharge Passage .....	4-10	firmation message is displayed .....	4-20
When the Machine Is Not Used for a Long Time		Replacing the Cutter Blade .....	4-20
.....	4-11		
Cleaning the Ink Head and the Area around It			
.....	4-13		

# Maintenance

Maintain the machine regularly or as necessary so that its accuracy will be maintained and it can continue to be used for a long time.

## Precautions for Maintenance

Pay attention to the following items when maintaining this machine.

- 
    - Turn off the main power and unplug the power cable before maintenance.
- |  |  |
|--|--|
| <br> | <ul style="list-style-type: none"> <li>• Pay close attention to ventilation and be sure to wear the included safety glasses and gloves provided, and the filtering face mask, when handling ink, maintenance cleaning solution, waste ink, or other solutions used in this machine. Failure to do so may result in ink or other liquids splashing and coming into contact with the skin, eyes, or mouth.</li> </ul>  |
|   | <ul style="list-style-type: none"> <li>• Never disassemble the machine. Disassembling it can result in electric shock hazards or damage to the machine. Before maintenance, be sure to turn off the power switch and unplug the power cable; otherwise, an unexpected accident may occur.</li> </ul>   |
|    | <ul style="list-style-type: none"> <li>• Prevent moisture from entering the machine. Moisture inside the machine can cause electric shock hazards or damage to the machine.</li> </ul>   |
|   | <ul style="list-style-type: none"> <li>• To ensure stable ink jetting, it is necessary for the machine to eject a small amount of ink (flushing) regularly when a printing (outputting) operation has not been performed for a long time.</li> <li>• When the machine is not to be used for a long time, turn off only the power switch on the front side, leave the main power switch at the right side turned ON (in the position of   ), and leave the power cable connected.</li> </ul>  |
|   | <ul style="list-style-type: none"> <li>• Do not wipe the nozzle face of the heads, wiper, caps, etc. with water or alcohol. Doing so can cause nozzle clogging or machine failure.</li> <li>• Do not use benzine, thinner, or any chemical agent containing an abrasive. Such materials can deteriorate or deform the surface of the cover.</li> <li>• Do not apply a lubricant, etc. to any parts inside the machine. Doing so can cause printing failure.</li> <li>• Be careful that the cleaning solution, ink, etc. not to stick to the cover because this may cause the surface of the cover to deteriorate or deform.</li> </ul> |

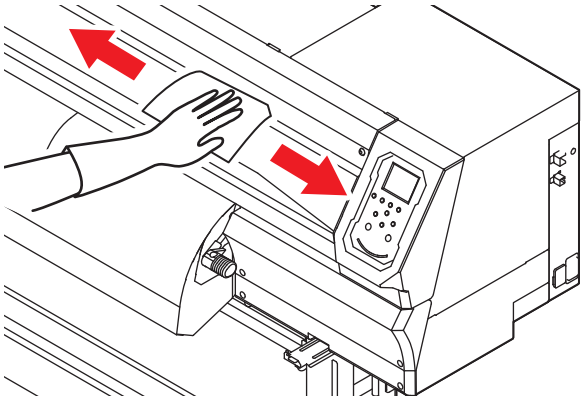
## About Cleaning Solution

Use the cleaning liquid dedicated for the ink being used.


Type of Ink	Applicable maintenance washings
Solvent ink	Maintenance washing liquid kit (SPC-0369) [Sold separately]
Sublimation dye ink	Cleaning Liquid Bottle Kit A29 (SPC-0137) [Sold separately]

## Cleaning the Exterior Surfaces

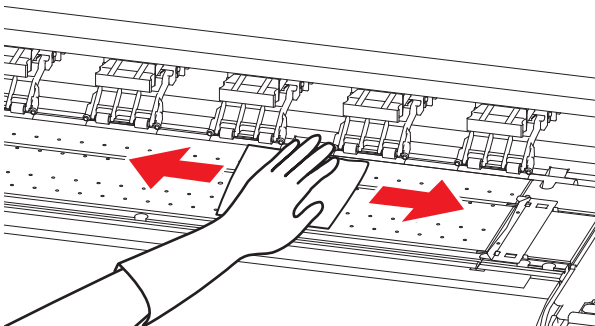
When the exterior surfaces of the machine are stained, dampen a soft cloth with water or a neutral detergent diluted with water, squeeze it, and wipe the surfaces with the cloth.






## Cleaning the Platen

- 
  - Turn off the main power and unplug the power cable before maintenance.

Continuing to use the media while it is dirty may cause media to be fed incorrectly, or rubbing dirt or solid ink onto the head nozzle surface, resulting in discharge failure (nozzle clogging, deflection, etc.).



- 
  - Do not allow liquids to enter the machine. There is a risk of equipment failure, electric shock, or fire.
- 
  - If the dirt is noticeable, use a soft cloth soaked in a neutral detergent diluted with water, wrung out, and then wiped off.
  - Before cleaning the platen, make sure that the platen has cooled adequately.
- 
  - The groove that slides the media press and the groove that cuts the media are particularly easy to collect dust. Please carefully remove the dust.



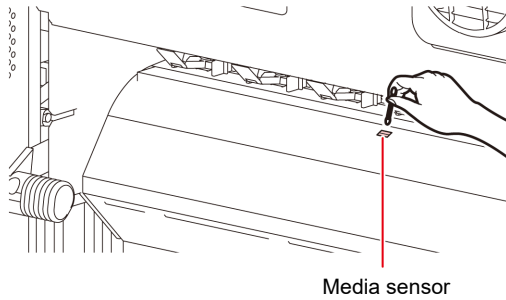
## Cleaning the Media Sensor

The media sensors are located on the platen in the backside and the bottom surface of the head. When the sensor is covered with dust, etc., it may cause false detection of media.

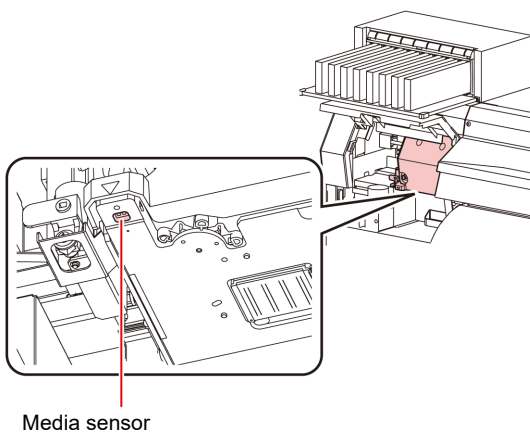
Using a cotton swab, remove the dust, etc. accumulated on the surface of the sensor.

When cleaning the sensor on the lower surface of the head is cleaned, move the carriage to the left end by the operations of step 1 of P.4-13 "Cleaning the Ink Head and the Area around It", and then clean it.

The backside of the machine



The lower surface of the head

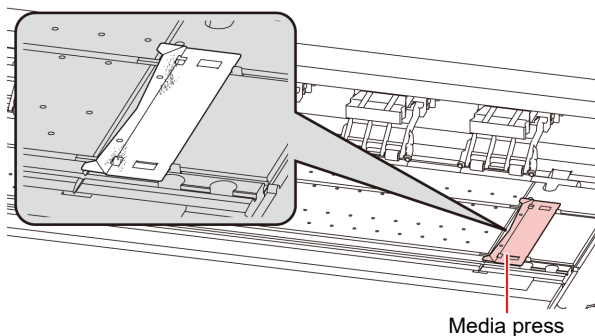


- Don't touch the cutter around the media sensor. Sharp cutter tip may injure you.

## Cleaning the Media Press

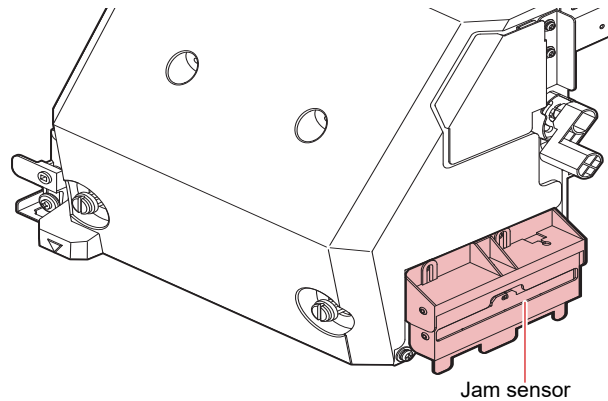
When the media press is covered with lint, dust, etc., a media cannot be fed normally during printing or dust sticks to the nozzles, which may result in abnormal printing.

Clean the media press regularly.



## Cleaning the Jam Sensor

The jam sensor unit is attached to the right side of the carriage. If ink stains or dust accumulate on the sensor unit, it may cause a media jam. Clean the jam sensor periodically.

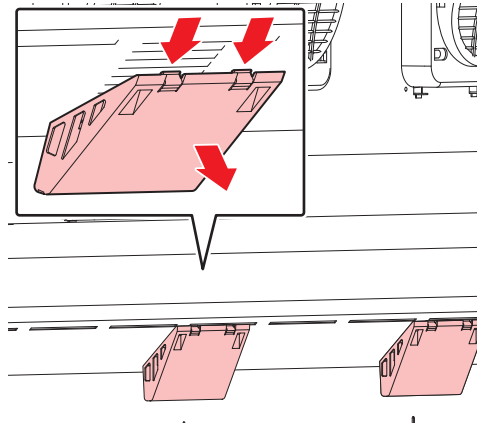


## Replacing the exhaust BOX filter or exhaust BOX

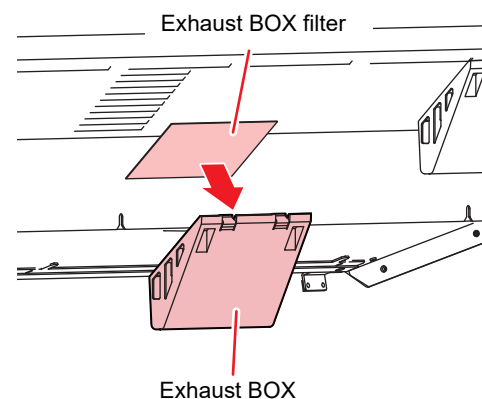
Replace the exhaust BOX filter (product number: SPA - 0249) or the exhaust BOX (product number: SPA - 0248) when it is dirty with ink.

### 1 Remove the tabs (2 locations) on the exhaust BOX.

- There are tabs engaged at the rear of the exhaust box also.



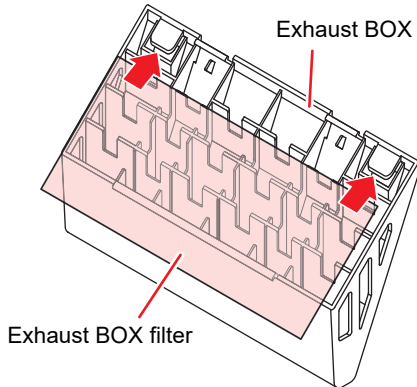
### 2 Remove the exhaust BOX and exhaust BOX filter.



**3** Replace the exhaust BOX filter or the exhaust BOX with a new one.

**4** Attach the exhaust BOX filter to the exhaust BOX.

- Insert the exhaust BOX filter in the exhaust BOX tabs.



**5** Attach the exhaust BOX to its original location.

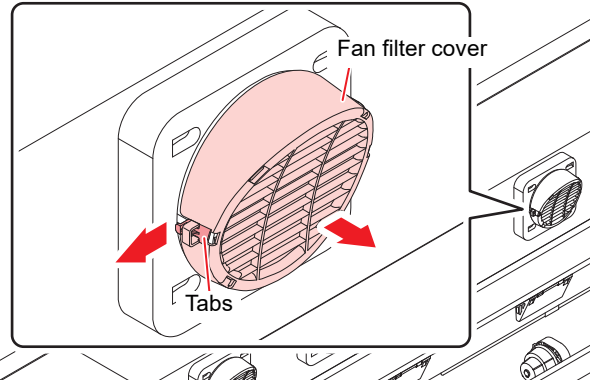
- Engage the exhaust box rear tabs into the machine body, then push in the front part of the box.

## Replace the blow down fan filter

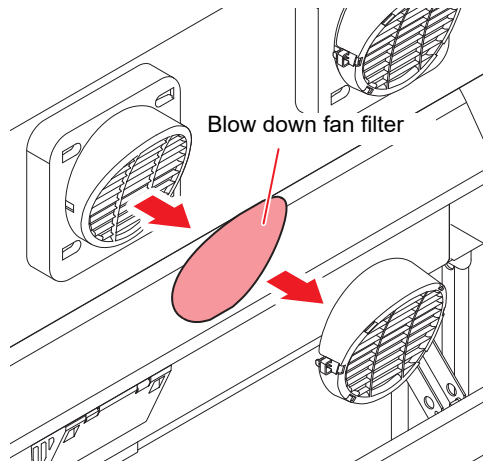
Replace the blow down fan filter (SPC-0774) when it is dirty.

**1** Remove the fan filter cover.

- Push the fan filter cover's tab outward, and pull the cover out toward you.

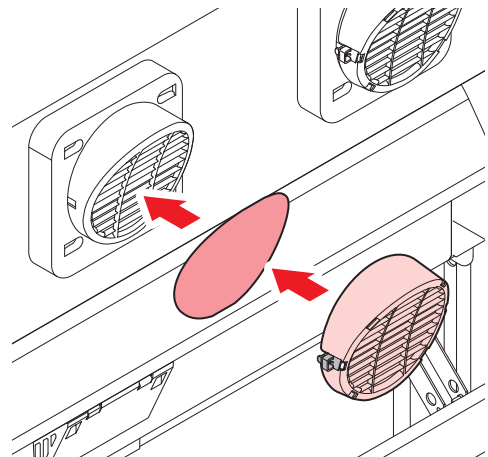


**2** Remove the blow down fan filter.



**3** Attach a new blow down fan filter and return the fan filter cover.

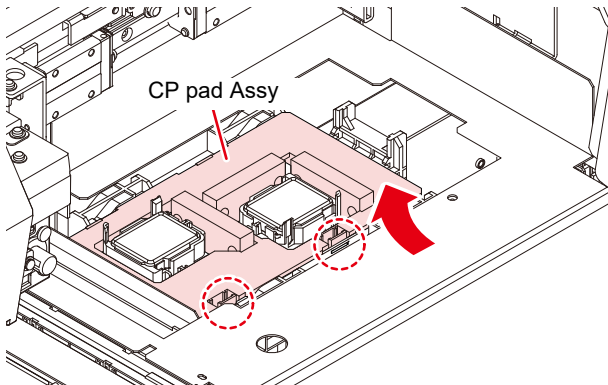
- Fit the fan filter cover on firmly, so that it clicks into place.



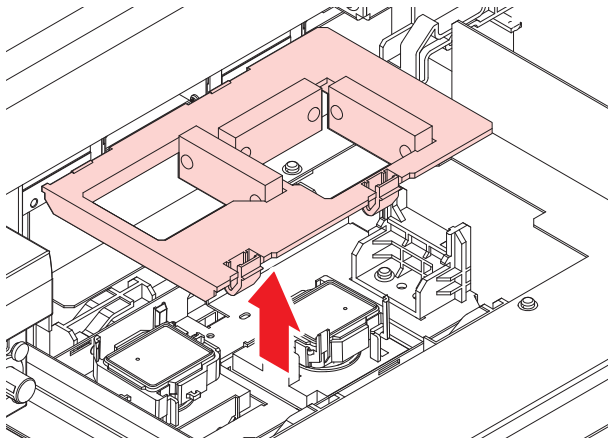
## Replace the CP pad set

Replace CP pad set (SPA-0257) when it is dirty.

### 1 Push up the tabs (2places) of CP pad Assy.

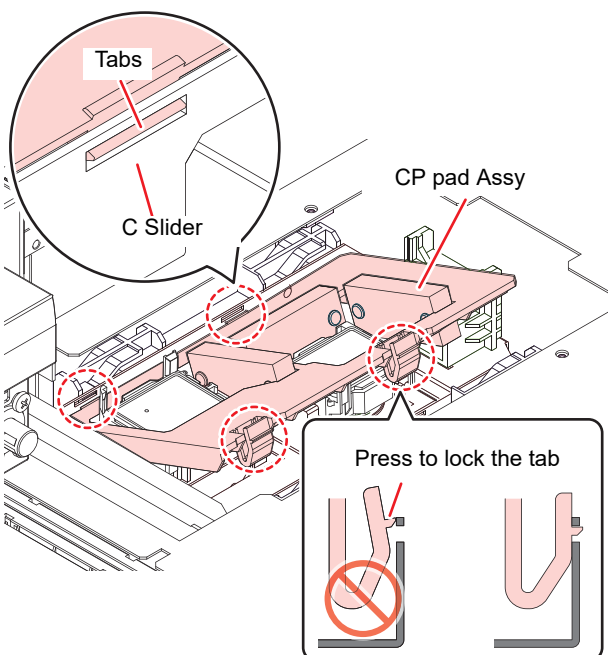


### 2 Remove the CP pad Assy.



### 3 Attach a new CP pad Assy.

- After inserting the tabs of CP pad Assy to the slit of C slider, fit the whole.



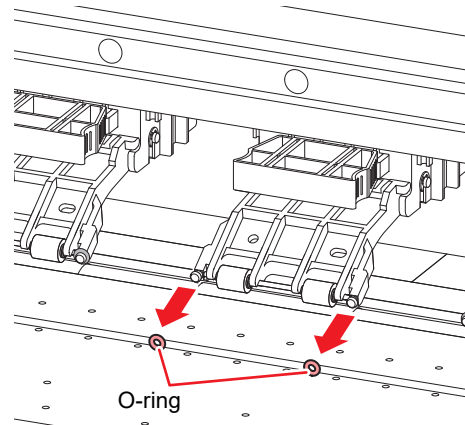
## Cleaning or replace the pinch roller

Cleaning the pinch roller (SPA-0247) when it is dirty. Also replace the pinch roller when it is worn or dirty.

### 1 Raise the clamp lever to keep the pinch roller lifted.

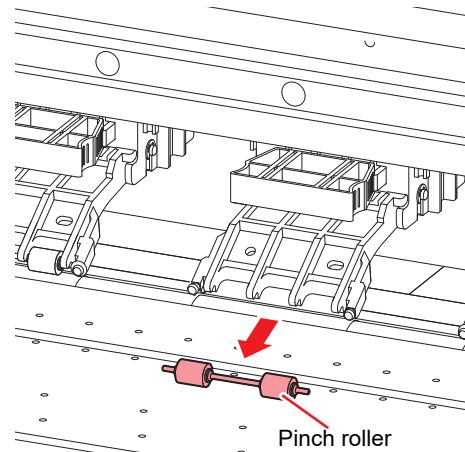
### 2 Remove the O-ring retaining the pinch roller.

- Important!**
- Be careful not to drop the parts in the gap of the device as they are small.



### 3 Remove the pinch roller.

- Important!**
- Be careful not to drop the parts in the gap of the device as they are small.

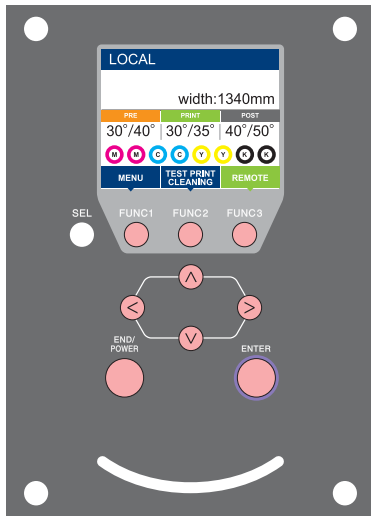


### 4 Clean the O-ring and pinch roller.

- Wipe off the ink sticking to the O-ring and pinch roller with a clean stick dipped in cleaning solution for maintenance. Wipe off so that cleaning solution for maintenance will not remain.
- Attach a new pinch roller, and reattach a new O-ring to their original position when dirt does not fall even if it cleans it.

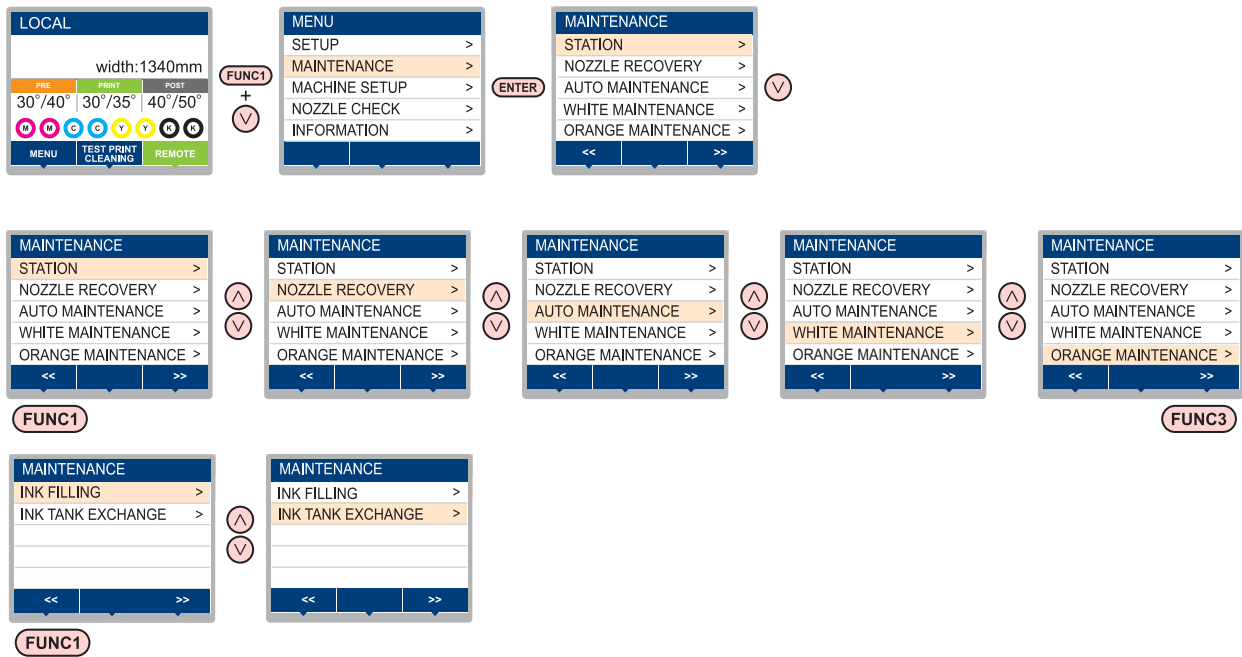
# About MAINTENANCE MENU

This provides various settings for doing maintenance on the machine.  
The following items can be set in Maintenance settings.

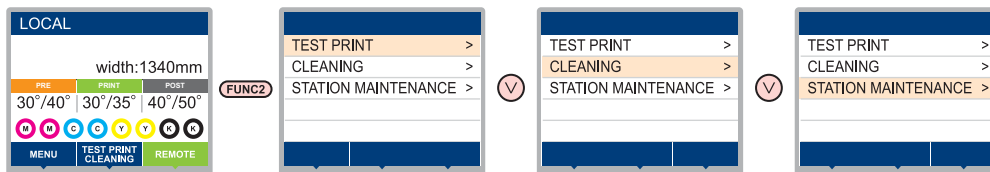


- FUNC1** : Press this to select MAINTENANCE MENU, or to switch to the previous screen.
- FUNC2** : Press this to use the maintenance function.
- FUNC3** : Press this to switch to the next screen.
- ▲ ▼** : Use these to select a setting item.
- ENTER** : Press this to confirm a setting, etc.

## ◆ MAINTENANCE MENUs at-a-glance



## ◆ Screen transition when **FUNC2** key is pressed



## MAINTENANCE MENUS at-a-glance

Item	Set value	Meaning	
STATION MAINTENANCE	For carrying out maintenance on the carriage and station periphery.		
	CARRIAGE OUT (☞ P.4-8)	_____	Moves the carriage out, for carrying out cleaning of the cap periphery, head, wipers, etc.
	NOZZLE WASH (☞ P.4-9)	1 to 99min	Soaks the nozzle surfaces in maintenance cleaning fluid, for carrying out recovery from nozzle clogging or bent.
	DISWAY WASH (☞ P.4-10)	_____	Executes washing of the suction pump tubes.
	CUSTODY WASH (☞ P.4-11)	1 to 99min	Carried out when the machine is going to be out of use for an extended period. Washes the nozzles and tubes beforehand, to keep the machine in fine condition.
	WIPER EXCHANGE (☞ P.4-18)		Used when replacing the wiper. If the wiper is replaced, the number of times the wiper was used that is managed in this machine is reset.
	MAINT.WASH		Fill the cleaning solution to the cleaning path to prevent ink from coagulating in the cleaning path.
NOZZLE RECOVERY (☞ P.4-14)	For printing using another nozzle, if nozzle wash and so forth fail to effect recovery from nozzle clogging, etc.		
	PRINT		Prints a pattern, to identify the nozzle that is clogged.
	ENTRY		Registers the faulty nozzle identified by "PRINT".
	RESET		Resets a registered faulty nozzle.
AUTO MAINTENANCE (☞ P.4-15)	For having the various maintenance functions executed automatically. Set the execution interval for each maintenance function.		
	REFRESH	The set value will differ according to the ink type being used.	For setting the activation interval for refresh.
	PUMP TUBE & NOZZLE WASH		Set the operation interval for cleaning the pump tube and the head nozzle, and set the leaving time for cleaning the head nozzle.
	CLEANING		For setting the activation interval for head cleaning.
CLEANING TYPE	NORMAL/SOFT/HARD	For setting the type of head cleaning.	
WHITE MAINTENANCE (☞ P.4-17)	Executes the white ink maintenance.		
ORANGE MAINTENANCE (☞ P.4-18)	Executes the orange ink maintenance.		
INK FILLING (☞ P.4-17)	Supplies ink to correct nozzle clogging.		
INK TANK EXCHANGE (☞ P.4-20)	Resets or corrects the used count for the waste ink tank.		

## Daily care other than the maintenance menu

Item	Meaning	
Ink Maintenance (☞ P.4-17)	Ink Maintenance (Except white and orange ink)(☞ P.4-17)	Executes the ink maintenance.
	Orange Ink Maintenance(☞ P.4-18)	Executes the orange ink maintenance.
Replacing consumables (☞ P.4-18)	Replacing the wiper(☞ P.4-18)	Replace the wiper.
	Replacing and Adjusting the Cutter Blade(☞ P.4-20)	Replace and adjust the blade of the cutter.

# Maintaining the Capping Station

Maintain the ink cap, wiper, etc. located in the capping station. (SATION MAINT.)

- Important!**
- To keep the nozzle status normal, perform wiper cleaning frequently.

The ink cap and wiper function as follows.

- Wiper** : It wipes off ink sticking to the head nozzles.
- Ink cap** : It prevents the head nozzles from clogging due to dryness.

As the machine is used repeatedly, the wiper and ink cap gradually become dirty with ink, dust, etc. If nozzle missing cannot be corrected even after head cleaning (☞ P.2-13) has been performed, use a cleaning solution kit and clean stick.

## Tools required for Maintenance

- |  |          |                  |
|--|----------|------------------|
| • Cleaning solution MS2/ES3/HS kit 200 (SPC-0369) or Cleaning-Solution Bottle kit A29 (SPC-0137) |          |                  |
| • Clean stick (SPC-0527)   | • Gloves | • Safety glasses |



- Be sure to wear the supplied safety glasses and gloves when maintaining the capping station. Otherwise, you may get ink in your eyes.
- Do not move the carriage out of the capping station by hand. When it is desirable to move the carriage, press the [FUNC1] key to execute the carriage-out. (☞ P.4-8Steps 1 to 2)

## Cleaning the Wiper and Cap

It is recommended that the wiper and cap be cleaned frequently in order to maintain the high image quality of the machine and keep the machine itself in good working order.

- Important!**
- Replace the wiper with a new one when it is extremely dirty or bent. (☞ P.4-18)
  - When cleaning the wiper, be careful that lint from the clean stick does not get left on the wiper. Remaining lint may cause image quality to deteriorate.

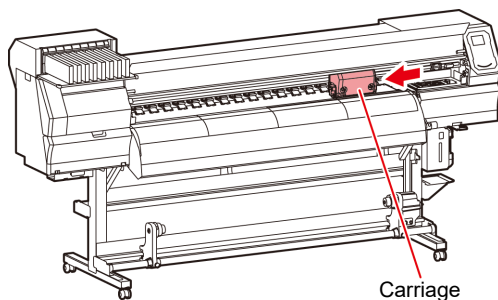
**1** Press the **[FUNC1] (MENU)** **[ENTER]** key in LOCAL.

- MAINTENANCE MENU will be displayed.

**2** Press the **[ENTER]** key twice.

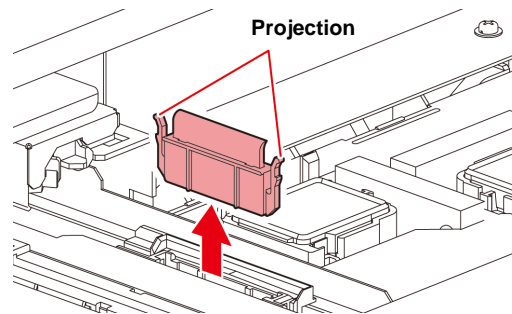
- The carriage moves onto the platen.

**3** Open the front cover.



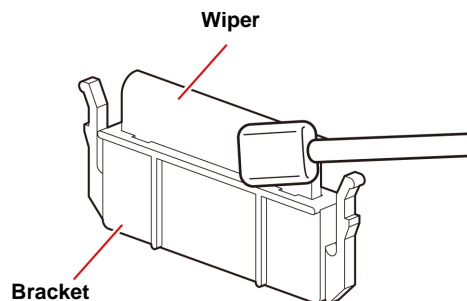
**4** Remove the wiper.

- Pull out the wiper by holding the projections at its both ends.



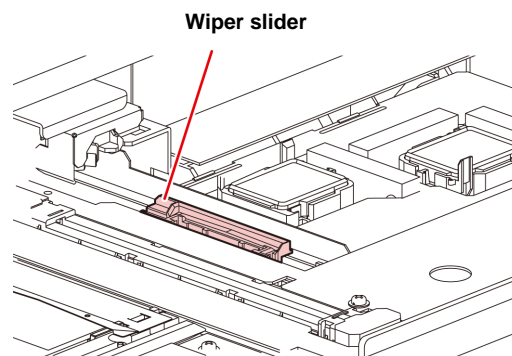
**5** Clean the wiper and bracket.

- Wipe off the ink sticking to the wiper and bracket with a clean stick dipped in cleaning solution for maintenance. Wipe off so that cleaning solution for maintenance will not remain.



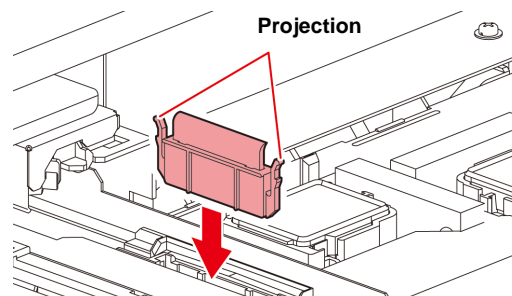
**6** Clean the wiper slider.

- Wipe off the ink sticking to the wiper slider with a clean stick dipped in cleaning solution for maintenance. Wipe off so that cleaning solution for maintenance will not remain.



**7** Set the wiper at the original position.

- Insert the wiper by holding the projections at its both ends.

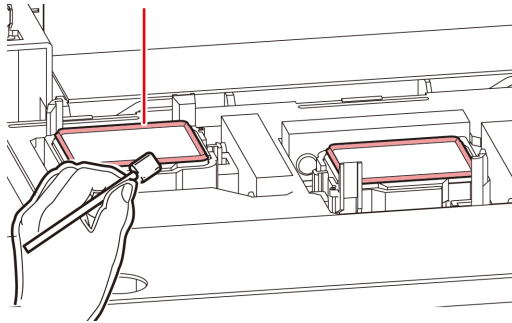




## 8 Clean the cap rubber.

- Wipe off the ink sticking to the cap rubber with a clean stick dipped in maintenance solution for maintenance.
- Wipe off so that maintenance solution for maintenance will not remain.

Cap rubber



## 9 Press the **ENTER** key after the cleaning.

## 10 Close the front cover then press the **ENTER** key.

- After its initial operation, the machine returns to step1.

## Washing the Head Nozzle

### 1 Press the **FUNC1** (MENU) **ENTER** key in LOCAL.

- MAINTENANCE MENU will be displayed.

### 2 Press the **ENTER** key.

- "STATION" will be selected.

### 3 Press **▼**, and press the **ENTER** key.

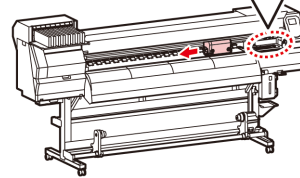
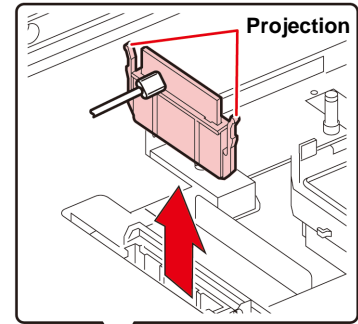
- "NOZZLE WASH" will be selected and the carriage will move onto the platen.

### 4 Open the front cover.

### 5 Clean the wiper and the bracket, and press the **ENTER** key.

- Open the right maintenance cover then pull out it by holding projections at both ends of the wiper.
- Clean the wiper and bracket with a clean stick dipped in maintenance washing liquid for maintenance. (SPC-0369: for solvent ink / SPC-0137: for sublimation dye ink)
  - Wipe off so that maintenance washing liquid for maintenance will not remain.

- Insert it in the original position by holding the projections at both ends of the wiper.

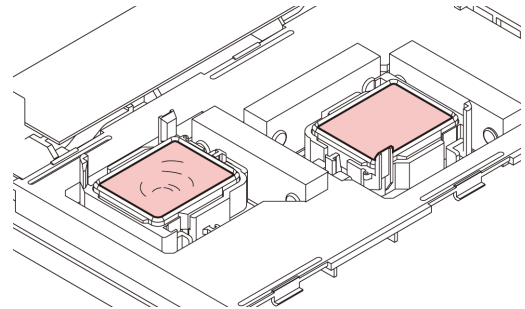


### 6 Clean the cap rubber, and press the **ENTER** key.

- Wipe off the ink sticking to the cap rubber with a clean stick dipped in maintenance washing liquid for maintenance.
- Wipe off so that maintenance washing liquid for maintenance will not remain.
- At this time, the discharge passage is cleaned automatically.

### 7 Fill up the cap with cleaning solution for maintenance.

- If the cleaning solution cartridge is usable, maintenance solution is automatically filled. If there is not enough maintenance solution, press the [FUNCTION] key to add maintenance solution.



### 8 Close the front cover, and press the **ENTER** key.

### 9 Press **▲▼** to set the time for the maintenance washing liquid to be left as it is, and press the **ENTER** key.

- Set value** : 1 to 99 minutes (Unit: minute)
- The maintenance washing liquid filled in the cap is absorbed.
- "Please Wait" will be displayed in the display until the time you set has elapsed.

#### Important!

- When nozzle missing is not cleared even after nozzle recovery (P.4-14) or this washing is carried out several times, contact the distributor in your region or our service office.



## Washing the Ink Discharge Passage

Wash the ink discharge passage regularly (about once a week) to prevent the head nozzles from clogging due to ink coagulation inside the passage.

**Important!**

- Before washing the ink discharge passage, make sure that the maintenance washing liquid is set. If the maintenance washing liquid is not set, washing operation will not be conducted and the passage could be clogged.

**1** Press the **FUNC1 (MENU)**  **▼**  **ENTER** key in LOCAL.

- MAINTENANCE MENU will be displayed.

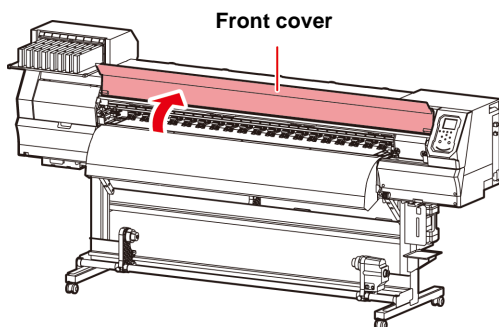
**2** Press the **ENTER** key.

- "STATION" will be selected.

**3** Press **▼** twice, and press the **ENTER** key.

- "DISWAY WASH" will be selected and the carriage will move onto the platen.
- Dry suction operation is performed repeatedly until the washing work is completed.

**4** Open the front cover.

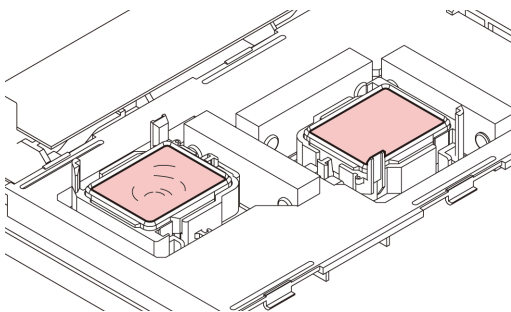


**5** Press the **ENTER** key.

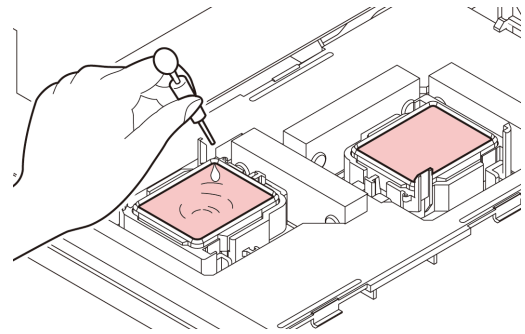
- Dry suction operation is performed repeatedly until the washing work is completed.

**6** Fill up the cap with cleaning solution for maintenance.

- If the cleaning solution cartridge is usable, maintenance solution is automatically filled. If there is not enough maintenance solution, press the [FUNCTION] key to add maintenance solution.



- If the cleaning solution cartridge is not usable, suck maintenance solution into a dropper and fill up the cap with it. Fill up the cap with maintenance solution on the verge of overflow from the cap.



**7** Close the front cover and press the **ENTER** key.

## When the Machine Is Not Used for a Long Time

When the machine is not going to be used for a week or more, use the cleaning function for custody to clean the head nozzles and ink discharge passage. After this, keep the machine in custody.

- Important!**
- Use the machine with always turning "ON" the main power. The function preventing nozzle clogging operates automatically to protect the head of the nozzle.
  - The head nozzle may result in nozzle clogging if the main power switch is left OFF for a long time.

### Check the items on the right beforehand.

#### Is [NEAR END] or [INK END] displayed?

- The cleaning solution or ink is absorbed when the nozzles are washed.
- At this time, if the state of "no ink" or "almost no ink" is detected, the nozzle washing operation cannot start.
- Replace the cartridge with another from which the state of "almost no ink" or "no ink" is not detected.



- When the warning messages "Check waste ink" are indicated, check the waste ink tank, and then operate it, referring to P.4-19 "If a Waste Ink Tank Confirmation Message Appears" according to the situation.

### 1 Press the **FUNC1** (MENU) **ENTER** key in LOCAL.

- MAINTENANCE MENU will be displayed.

### 2 Press the **ENTER** key.

- "STATION" will be selected.

### 3 Press 3 times, and press the **ENTER** key.

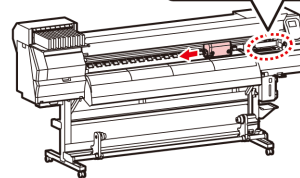
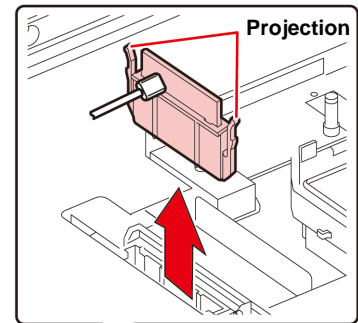
- "CUSTODY WASH" will be selected and the carriage will move onto the platen.

- Important!**
- Until wiper/ bracket cleaning is completed, "COMPLETED" is displayed on the screen. After the work up to the step 3 is completed, press the [ENTER] key. If you press the [ENTER] key before cleaning is completed, the machine moves to the next washing procedure.

## 4

### Clean the wiper and the bracket.

- (1) Open the front cover then pull out it by holding projections at both ends of the wiper.
- (2) Clean the wiper and bracket with a clean stick dipped in cleaning solution for maintenance. (SPC-0137 or SPC-0369) Wipe off so that cleaning solution for maintenance will not remain.
- (3) Insert it in the original position by holding the projections at both ends of the wiper.



## 5

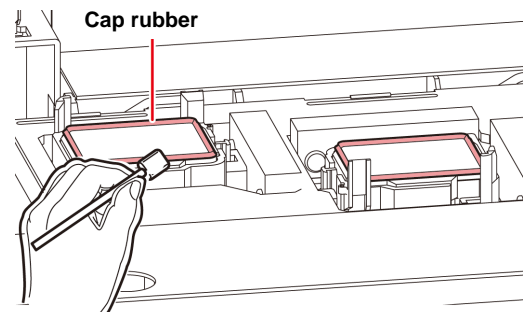
### Press the **ENTER** key.

- Important!**
- Until wiper cleaning is completed, [COMPLETED (NEXT): ENT] is displayed on the screen. After the work up to the step 5 is completed, press the [ENTER] key. If you press the [ENTER] key before cleaning is completed, the machine moves to the next washing procedure.

## 6

### Clean the cap rubber.

- Wipe off the ink sticking to the cap rubber with a clean stick dipped in maintenance solution for maintenance.
- Wipe off so that maintenance solution for maintenance will not remain.
- At this time, the discharge passage is cleaned automatically.



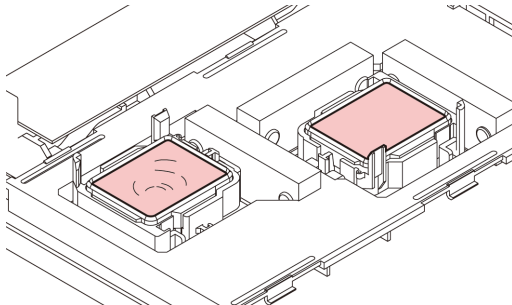
**7** Press the **ENTER** key.

**Important!**

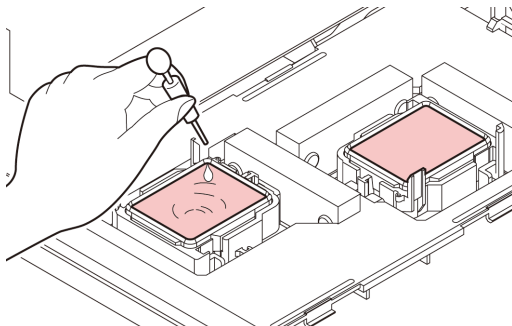
- Until washing liquid is filled, [COMPLETED (NEXT): ENT] is displayed on the screen. After the work up to the Step 8 is completed and you close the front cover, press the [ENTER] key. If you press the [ENTER] key before washing liquid is filled, the carriage returns to the original position.

**8** Fill up the cap with cleaning solution for maintenance.

- If the cleaning solution cartridge is usable, maintenance solution is automatically filled. If there is not enough maintenance solution, press the [FUNCTION] key to add maintenance solution.



- If the cleaning solution cartridge is not usable, suck maintenance solution into a dropper and fill up the cap with it. Fill up the cap with maintenance solution on the verge of overflow from the cap.



**9** Close the front cover and press the **ENTER** key.

**10** Press **▲ ▼** to set the time for the cleaning solution to be left as it is.

- Set Value: 1 to 99 min (by the unit of 1 min)

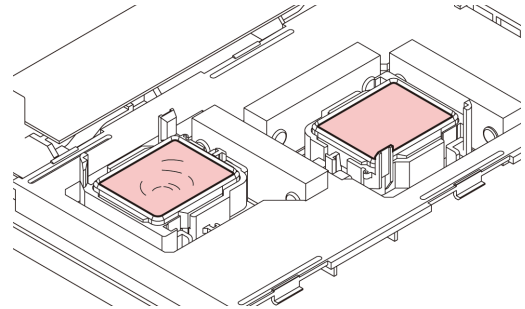
**11** Press the **ENTER** key.

- The nozzles are washed.
- When the nozzles have been completely washed, the head moves to the maintenance position.

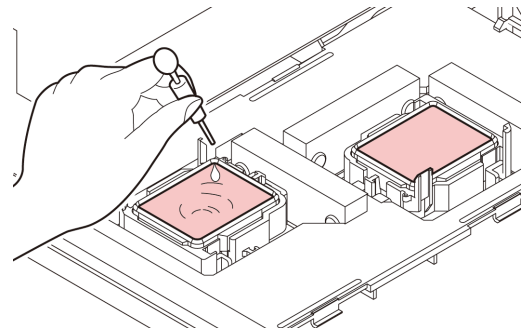
**12** Open the front cover.

**13** Fill up the cap with cleaning solution for maintenance.

- If the cleaning solution cartridge is usable, maintenance solution is automatically filled. If there is not enough maintenance solution, press the [FUNCTION] key to add maintenance solution.



- If the cleaning solution cartridge is not usable, suck maintenance solution into a dropper and fill up the cap with it. Fill up the cap with maintenance solution on the verge of overflow from the cap.



**14** Close the front cover and press the **ENTER** key.

- After its initial operation, the machine returns to step2.

# Cleaning the Ink Head and the Area around It

Because the ink head employs a very precise mechanism, due care needs to be taken when it is cleaned.

Using a clean stick, etc., rub off gelatinous ink or dust that may stick to the lower part of the slider and the area around the ink head. In doing so, never rub the nozzles of the head.

## Tools required for cleaning

- |                          |          |
|--------------------------|----------|
| • Clean stick (SPC-0527) | • Gloves |
| • Safety glasses         |          |



- Be sure to wear the attached safety glasses and gloves when cleaning the area around the ink head. Otherwise, you may get ink in your eyes.
- The ink contains organic solvent. If you get the ink on your skin or in your eyes, wash it away with plenty of water immediately.

**1** Press the **FUNC1 (MENU)** **ENTER** key in LOCAL.

- MAINTENANCE MENU will be displayed.

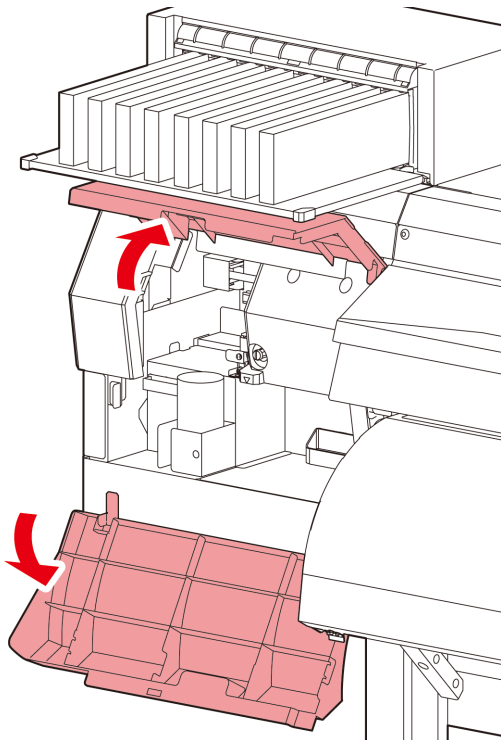
**2** Press the **ENTER** key twice.

- "CARRIAGE OUT" will be selected.

**3** Press , and press the **ENTER** key.

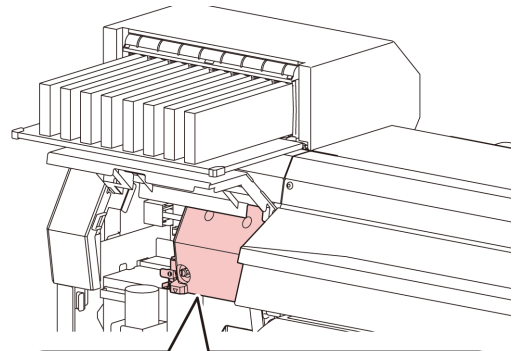
- "HEAD MAINTENANCE" will be selected and the carriage will move to the left end of this machine.

**4** Open the maintenance cover.



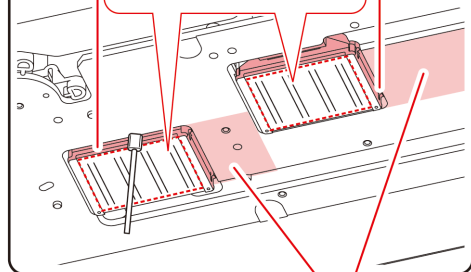
**5** Use a clean stick soaked in maintenance cleaning fluid to wipe ink off the head surface or other surfaces.

- Never rub the nozzles.



Clean the side surface of the head (shown in deep gray) with a clean stick.

The nozzle part (Never touch it.)



Clean with a clean stick or a waste cloth.

**6** Press the **ENTER** key after the cleaning.

**7** Close the maintenance cover, and press the **ENTER** key.

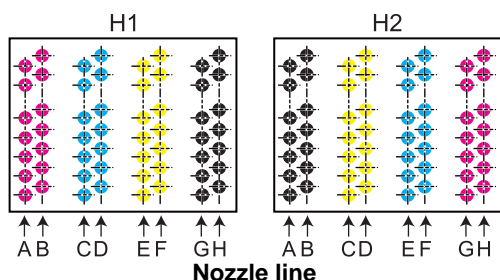
- After its initial operation, the machine returns to LOCAL.

# Nozzle Recovery Function

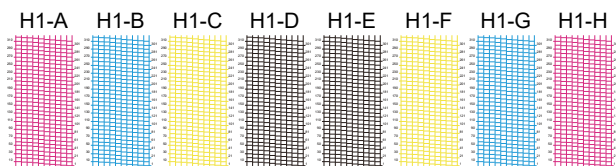
**NOZZLE RECOVERY:** When nozzles missing can not be improved at specific points, other good nozzles can be used as alternatives for printing.

- 1** Press the **FUNC1 (MENU)** key and press the **ENTER** key in **LOCAL**.
  - MAINTENANCE MENU will be displayed.
- 2** Press **▼**, and press the **ENTER** key.
  - “NOZZLE RECOVERY” will be selected.
- 3** Press the **ENTER** key twice.
  - Printing of the nozzle pattern will start.
  - Select “ENTRY” then “Move to select of the Nozzle line (Step 4) without drawing a pattern”

### Overhead view

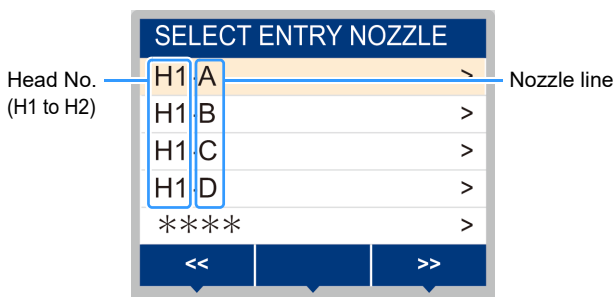


### Nozzle pattern of Head 1



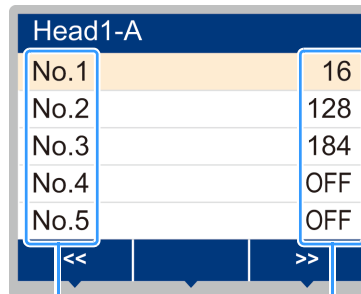
- Important!**
- For 6-color ink sets, the nozzle patterns “H1-B” and “H1-D” are not printed.
  - When using leaf media, set a media of more than A3 size put horizontally. If a media with narrow width is set, printing will only be conducted to midway.

- 4** Select the Nozzle line that needs **NOZZLE RECOVERY** by pressing **▲** **▼**, and press **ENTER** key.



- 5** Register the Nozzle number that needs **NOZZLE RECOVERY** and press **ENTER** key.

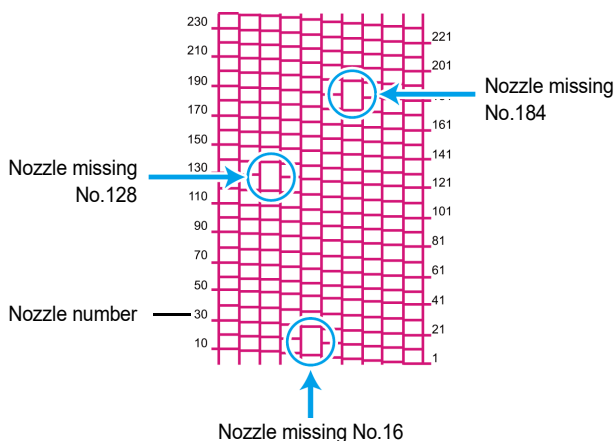
- (1) Select the registration number from 1 to 10 by pressing **▲**/**▼** key and press the **ENTER** key.
- (2) Register the nozzle number that needs recovery by pressing **▲**/**▼** key and press the **ENTER** key.



Recovery nozzle No. or OFF

Registration number : 1 to 10

### Example of nozzle to be recovered



Registration number	Recovery Nozzle No.	State
1	16	Target for nozzle recovery
2	128	Target for nozzle recovery
3	184	Target for nozzle recovery
4	OFF	No registration
5	OFF	No registration

- 6** Press the **END/POWER** key several times to end the setting.

- Important!**
- Up to 10 nozzles can be registered per 1 nozzle line.
  - Even if you use this function, time required for drawing does not change.
  - When printing has been done with the lowest path, nozzle recovery is not reflected. Moreover, depending on the conditions, there are cases where only 20 to 120 nozzles are enabled at both head ends (front and rear). Perform test printing to confirm.
  - When you use white ink, print on the clear film to check.





## Reset the set value

- 1** Press the **FUNC1 (MENU)**  $\rightarrow$  **▼**  $\rightarrow$  **ENTER** key in LOCAL.
  - MAINTENANCE MENU will be displayed.
- 2** Press **▼**, and press the **ENTER** key.
  - "NOZZLE RECOVERY" will be selected.
- 3** Press **▼** twice, and press the **ENTER** key.
  - "RESET" will be selected.
- 4** Press **▲** **▼** and **FUNC1 (PAGE>)** **FUNC3 (<<)** to select the nozzle line that need reset, and press the **ENTER** key.
  - A reset confirmation message will be displayed.
- 5** Press the **ENTER** key.
- 6** Press the **END/POWER** key several times to end the setting.

## Set Whether to Enable NOZZLE RECOVERY During TEST PRINT

By setting the following to "ON" and registering the nozzle numbers you want to recover using P.4-14 "Nozzle Recovery Function", the Nozzle Recovery Function is enabled when performing test printing (P.2-11).

- 1** Press the **FUNC1 (MENU)**  $\rightarrow$  **▼**  $\rightarrow$  **ENTER** key in LOCAL.
  - MAINTENANCE MENU will be displayed.
- 2** Press **▲** **▼** to select "NOZZLE RECOVERY", and press the key.
- 3** Press **▲** **▼** to select "TEST PRINT", and press the **ENTER** key.
- 4** Press **▲** **▼** to select ON/OFF, and press the **ENTER** key.
- 5** Press **END/POWER** several times to end the setting.



- Available with the following firmware versions or later.  
JV300 BS: Ver.2.80  
JV300 Plus BS: Ver.1.10

## Automatic Maintenance Function

To use this machine comfortably, you can set various maintenances to be performed automatically. Here, set performing intervals of various automatic maintenances.

You can prevent troubles such as ink clogging by performing automatic maintenance periodically (automatic maintenance function).

For the auto maintenance functions, the following items can be set:



- When you perform maintenance manually, after manual maintenance is completed and when time set with the automatic maintenance function has passed, maintenance starts automatically.

Function name	Descriptions
REFRESH	The interval between each refreshing operation is set.
PUMP TUBE & NOZZLE WASH	Set the operation interval for cleaning the pump tube and the head nozzle, and set the leaving time for cleaning the head nozzle. After setting the leaving time, the nozzle surface is immersed in the cleaning solution and then washed.
CLEANING (Interval)	The interval between each cleaning operation is set.
CLEANING (Type)	The cleaning type is set.



- If the "Check waste ink" warning message is displayed, the operation set in the auto maintenance function is not carried out. Perform the operations of P.4-19 "Replace the waste ink tank with another" if required.
- When the power switch on the front of the machine is turned off, check the waste ink tank.

## Setting the Refreshing Intervals

The interval between each operation of ejecting a small amount of ink from the nozzles to prevent nozzle clogging is set.

- 1** Press the **FUNC1 (MENU)**  $\rightarrow$  **▼**  $\rightarrow$  **ENTER** key in LOCAL.
  - MAINTENANCE MENU will be displayed.
- 2** Press **▲** **▼** to select "AUTO MAINTENANCE", and press the **ENTER** key.
- 3** Press **▲** **▼** to select the "REFRESH", and press the **ENTER** key.
- 4** Press **▲** **▼** to set the refreshing interval, and press the **ENTER** key.
  - Set value : The set value will differ according to the ink type being used.
- 5** Press the **END/POWER** key several times to end the setting.

## Setting the Pump Tube & Nozzle Wash Intervals

To prevent ink clogging due to coagulation of ink on the ink discharge path and the head nozzle surface, set the interval for cleaning the ink discharge path and the head nozzle surface. When cleaning the head nozzle, also set the leaving time (Time to immerse the nozzle surface in the cleaning solution filled in the cap).

**Important!**

- When using the auto maintenance function, make sure that the cleaning solution for maintenance is set. If the cleaning solution for maintenance is not set, the pump tube and nozzle cleaning operations will not be regularly performed, and the pump tube and the head nozzle may be clogged.
- Hard cleaning is performed at the end of nozzle cleaning. (Ink consumption: approx. 33 ml / 1 time) Therefore, when cleaning cannot be performed (for example, ink shortage), nozzle cleaning is not performed and only pump tube cleaning is performed.  
Please be careful.

- 1 Press the **FUNC1 (MENU)** key in local mode.
  - MAINTENANCE MENU will be displayed.
- 2 Press **▲▼** to select “AUTO MAINTENANCE”, and press the **ENTER** key.
- 3 Press **▲▼** to select “PUMP TUBE & NOZZLE WASH”, and press the **ENTER** key.
- 4 Press **▲▼** to select “INTERVAL”, and press the **ENTER** key.
- 5 Press **▲▼** to set the pump tube and nozzle washing interval, and press the **ENTER** key.
  - **Set value:** 24 to 48 hours (h)  
The default setting differs depending on the ink type used.
- 6 Press **▲▼** to select “LEAVING TIME”, and press the **ENTER** key.
- 7 Press **▲▼** to set the leaving time to immerse the nozzle surface in the cleaning solution, and press the **ENTER** key.
  - **Set value:** OFF, 1 to 99 minutes (1 minute unit)
  - If the leaving time is set to OFF, nozzle cleaning will not be performed. Only pump tube cleaning is performed.

**Important!**

  - By default, the leaving time is set to “OFF”. Therefore, nozzle cleaning is not performed. If you want to execute nozzle cleaning, set the leaving time. **Recommended value is 1 minute.**
- 8 Press the **END/POWER** key several times to end the setting.

## Setting the Cleaning Intervals and Type

This is a function operated instead of the pump tube and nozzle washing when the cleaning solution for maintenance has been used up.

The cleaning type and the interval between each cleaning operation are set.

- 1 Press the **FUNC1 (MENU)** key in LOCAL.
  - MAINTENANCE MENU will be displayed.
- 2 Press **▲▼** to select “AUTO MAINTENANCE”, and press the **ENTER** key.
- 3 Press the **▲▼** to select “Interval” or “Type”, and press the **ENTER** key.
- 4 Press **▲▼** to select a set value, and press the **ENTER** key.
  - **Set value :** The set value will differ according to the ink type being used.
  - **Set value of type :** SOFT/ NORMAL/ HARD
- 5 Press the **END/POWER** key several times to end the setting.








### When 600ml cartridge is used

- **Even when [Ink Level] is displayed, enough ink for head cleaning may remain in the ink pack.**  
When [Ink Level] appears, see P.3-18 “When [Ink Level low] is displayed” and enter the current weight of the 600ml cartridge.
- **When the remaining ink is not enough for head cleaning**  
When the remaining ink is not enough for head cleaning, an error message “Error” shown on the step 3. Replace with a new ink pack, and then perform head cleaning again.



## Fill up Ink

Supplies ink to correct nozzle clogging.

- 1** Press the **FUNC1 (MENU)**  **ENTER** key in LOCAL.
  - MAINTENANCE MENU will be displayed.
- 2** Press   to select "FILL UP INK", and press the **ENTER** key.
- 3** Press   to select the filling type.
  - **Standard** : When nozzle drop outs or nozzle missing parts that cannot be recovered by soft filling occurs (JV300Plus:FW version 2.3 or later, JV300:FW version 4.3 or later)
  - **Soft** : Use this in cases where head cleaning will not achieve recovery, such as when multiple clogged nozzles occur or nozzle cluster dropout occurs.
  - **Normal** : Use this if nozzle cluster dropout occurs in initial ink filling.
  - **Hard** : Use this in cases where the dumper has become empty, such as in dumper replacement.
- 4** Press the **ENTER** key.
  - If you selected "Standard" or "Soft" in step 4, a Select Fill Up Color screen will be displayed. If you selected "Normal" or "Hard", go to step 6.
- 5** Press   to select the filling color, and press the **ENTER** key.
- 6** Press the **ENTER** key.
  - Ink is supplied automatically.
- 7** Press the **END/POWER** key several times to end the setting.

## Ink Maintenance

Shake the ink periodically. If you do not shake the ink periodically, the print quality may deteriorate rapidly. The frequency of shaking depends on the type and color of the ink.

Please use our recommended ink cartridge.

### Ink Maintenance (Except white and orange ink)

Shake the ink periodically. (☞ P.1-10)

The frequency of shaking (recommended) is as follows.

Solvent ink (SS21/ES3): Once a month  
 Sublimation dye ink (Sb53/Sb54): Once a week

### White Ink Maintenance




White ink precipitates easier than other inks.

If not printing more than two weeks, white ink may precipitate in the ink cartridge or inside of this machine.

When an ink precipitates, the nozzle may be clogged and it can not draw normally.

Make sure to perform periodical maintenance to avoid precipitation and to keep white ink in good condition.


- (1) Remove the ink cartridge and shake gently in the following cases. (☞ P.1-10)
  - When 24 hours have passed with the power supply is ON.
  - When the power supply is ON, the warning message "SHAKE WHITE INK CARTRIDGES" is displayed.
- (2) Perform the maintenance below before working once a week.

- 1** Press the **FUNC1 (MENU)**  **ENTER** key in LOCAL.
  - MAINTENANCE MENU will be displayed.
- 2** Press **FUNC1 (<<)**, and press the **ENTER** key.
- 3** Press   to select "WHITE MAINT", and press the **ENTER** key.
- 4** Press the **ENTER** key.
  - The automatic discharging operation and the filling operation are performed, then, cleaning is performed.
- 5** Press the **END/POWER** key several times to end the setting.

## Orange Ink Maintenance

Orange ink precipitates easier than other inks. If you print by precipitated white ink, the print quality will deteriorate rapidly. Perform the following maintenance to prevent the degradation of print quality.

- (1) Remove the ink cartridge and shake gently in the following cases. (☞ P.1-10)
  - Around once a week
  - 24 hours after the last printing
- (2) If the printer is not used for over a week, please remove the orange cartridge and shake gently. Reinsert ink cartridge into the machine and operate [INK FILLING (Hard cleaning)] once. If print result goes not well, please execute [INK FILLING] again. (☞ P.4-17)

- 1** Press the **FUNC1 (MENU)**  **ENTER** key in LOCAL.
  - MAINTENANCE MENU will be displayed.
- 2** Press **FUNC1 (<<)**, and press the **ENTER** key.
- 3** Press **▲ ▼** to select “ORANGE MAINT”, and press the **ENTER** key.
- 4** Press the **ENTER** key.
  - The automatic discharging operation and the filling operation are performed, then, cleaning is performed.
- 5** Press the **END/POWER** key several times to end the setting.

## Replacing consumables


### Replacing the wiper

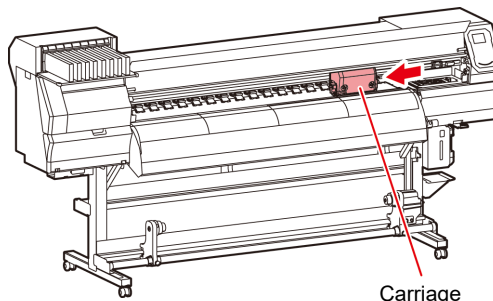
The wiper is consumable. When the display indicates the warning message “Replace a WIPER” it is necessary to check and replace the wiper, immediately replace the wiper with a new one.

Also, wipe ink sticking to the lower surface of the slider off.

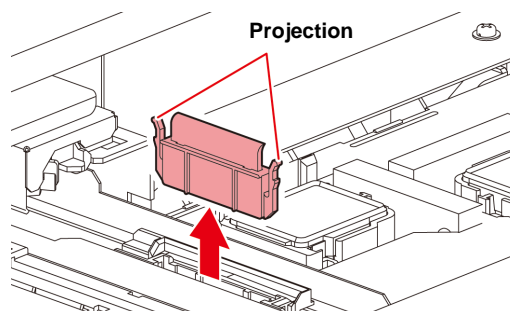
**Important!**

- When the warning message for replacing wiper is shown, confirm whether there is no damage and fuzz at the top edge of the wiper film. If there is no damage on the top edge of the wiper film, it is possible to use the wiper continuously without replacing it.
- A cleaning wiper is an option. Buy one through the dealer in your region or at our service office.

- 1** Press the **FUNC1 (MENU)**  **ENTER** key in LOCAL.
  - MAINTENANCE MENU will be displayed.
- 2** Press the **ENTER** key.
  - “STATION” will be selected.
- 3** Press **▼** 4 times, and press the **ENTER** key.
  - “WIPER EXCHANGE” will be selected and the number of times the wiper was used will be reset.
- 4** Press the **ENTER** key.
  - The carriage will move onto the platen.

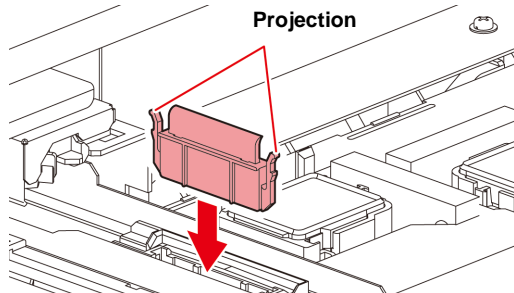


- 5** Remove the wiper.
  - Pull out the wiper by holding the projections at its both ends.



## 6 Insert a new wiper.

- Insert the wiper by holding the projections at its both ends.



## 7 Close the front cover, and press the [ENTER] key.

- After its initial operation, the machine returns to LOCAL.

## If a Waste Ink Tank Confirmation Message Appears

Ink used in head cleaning, etc. is stored in the waste ink tank on the lower right side of the machine. This machine counts the accumulated amount of discharged ink. When that reaches a specified amount, the machine displays a confirmation message. (When this message is displayed, consider the replacement of the waste ink tank.)



- The message is displayed when it reaches 80% (1.6L) of the 2L tank.

## Confirmation Message in LOCAL

### 1 The warning message "Check waste ink" is displayed.

### 2 Check the state of the waste ink tank

- When it is different from the actual amount, press [▲][▼] and correct.
- When you correct (80%), press the [ENTER] key to return to LOCAL.
- When you replace (disposal) and clear the count, perform the procedures in "Replace the waste ink tank with another". (P.4-19)



- Check the waste ink level in the waste ink tank frequently. Continuing to use the product without disposing of the waste ink may result in waste ink overflowing from the waste ink tank.

## Replace the waste ink tank with another

### 1 The warning message "Check waste ink" is displayed.

### 2 Press the [FUNC1] (MENU) [▼] [ENTER] key in LOCAL.

- MAINTENANCE MENU will be displayed.

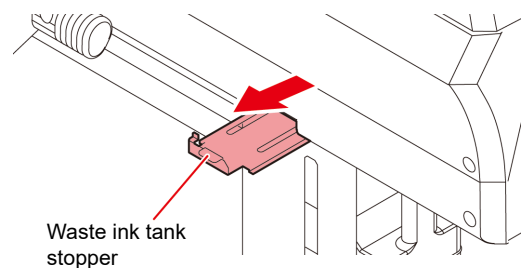
### 3 Press [▲] [▼] to select "INK TANK EXCHANGE", and press the [ENTER] key.

### 4 If the amount of waste ink needs to be adjusted, press the [ENTER] key.

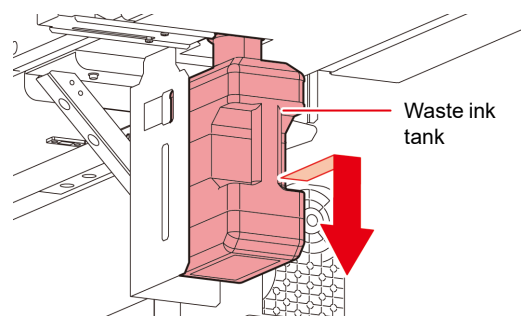
- Compare the amount of waste ink shown on the display and the amount you visually confirmed. If there is no major problem with the value shown on the display, instead of the [ENTER] key, press the [END] key and proceed to Step 6.

### 5 Press [▲] [▼] to adjust the level, and press the [ENTER] key.

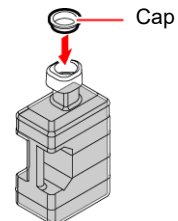
### 6 Pull the waste ink tank stopper to open to the front.



### 7 Pull it frontward to remove by holding the waste ink tank handle.

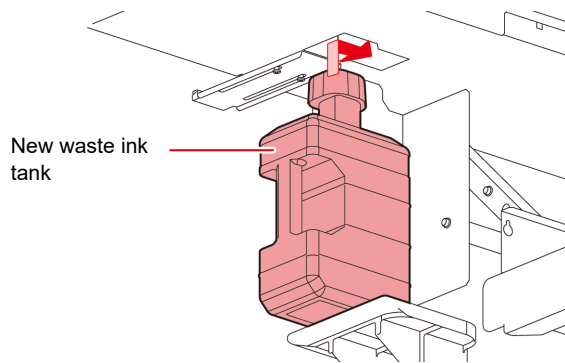


- Put a cap on the waste ink tank removed.



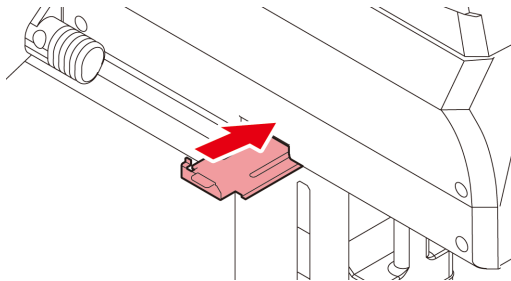
## 8 Replace the waste ink tank.

- (1) Prepare a new waste ink tank (SPC-0246).
- (2) Insert the waste ink tank by holding a handle of the tank.



- Waste ink is equivalent to waste oil of industrial waste. Request an industrial waste disposal company for disposal of waste ink.

## 9 Close the waste ink tank stopper.



## 10 Press the **ENTER** key.

- The ink discharging amount that is controlled by the machine is reset and the message is cancelled.

## Replacing the waste ink tank before the waste ink tank confirmation message is displayed

If you replace the waste ink tank before the waste ink tank confirmation message is displayed (before the 2L tank is 80% (1.6L) full), set the waste ink information to 0% in the Information menu.

### 1 Perform steps 6 through 9 in "Replace the waste ink tank with another" (P.4-19) to empty the waste ink tank.

### 2 Press the **FUNC1** (MENU) **ENTER** key in LOCAL.

- MAINTENANCE MENU will be displayed.

### 3 Press **DOWN** 4 times, and press the **ENTER** key.

- "INK TANK EXCHANGE" will be selected.

### 4 Waste ink tank information is displayed.

### 5 Press **UP** **DOWN** to adjust the level, and press the **ENTER** key.

- The reset screen for the waste ink tank amount will be displayed.

### 6 Press the **ENTER** key.

- The waste ink tank amount that is managed in this machine will be reset.

## Replacing the Cutter Blade

The cutter blade is consumable. When the cutter blade gets dull, replace it with a new one (SPA-0107).



- Do not touch the cutter blade, which is very sharp.
- Store the cutter blade in a place that is out of the reach of children. In addition, dispose of used cutter blades according to regional laws and regulations.



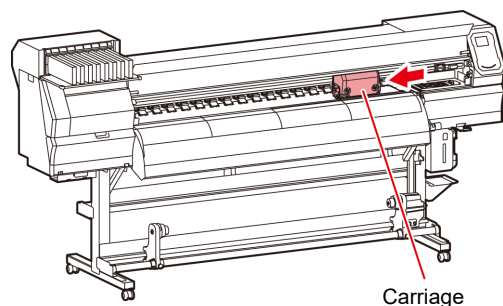
- When replacing the cutter blade, it is recommended to place a sheet of paper under the cutter blade. This will help pick up the cutter blade if it drops.

### 1 Press the **FUNC1** (MENU) **ENTER** key in LOCAL.

- MAINTENANCE MENU will be displayed.

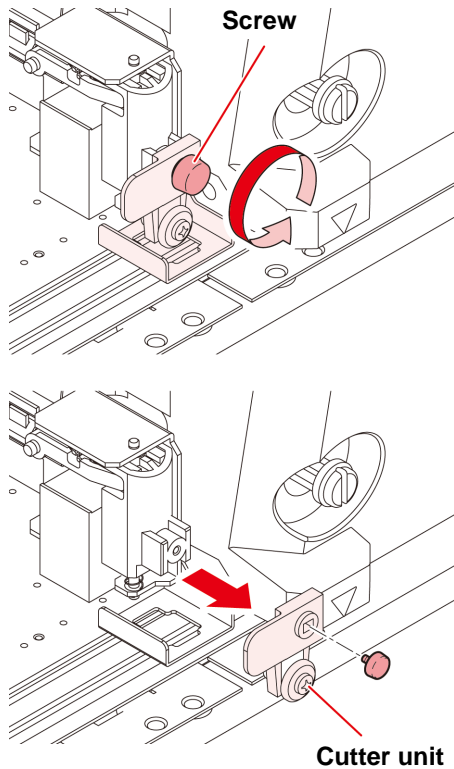
### 2 Press the **ENTER** key twice, and open the front cover.

- The carriage moves onto the platen.



**3** Replace the cutter unit by the carriage.

- (1) Loosen the screw of the cutter unit.
- (2) Remove the cutter unit.
- (3) Mount a new cutter unit.
- (4) Fasten the screw of the cutter unit to secure the cutter unit.

**4** Close the FRONT cover.**5** Press the **ENTER** key.



# Chapter 5

## Troubleshooting



### This chapter

describes the corrective measures to be taken for a phenomenon suspected to be trouble and the procedures to clear the error number displayed on the LCD.

Troubleshooting .....	5-2
Power does not turn on .....	5-2
The machine does not start printing .....	5-2
Media get jammed / media is soiled .....	5-2
The heater's temperature will not rise to the set level .....	5-3
Image quality is poor .....	5-3
Nozzle is clogged .....	5-3
Ink cartridge warning appears .....	5-4
When the ink leakage occurs .....	5-4
Warning / Error Messages .....	5-5
Warning messages .....	5-5
Error messages .....	5-8



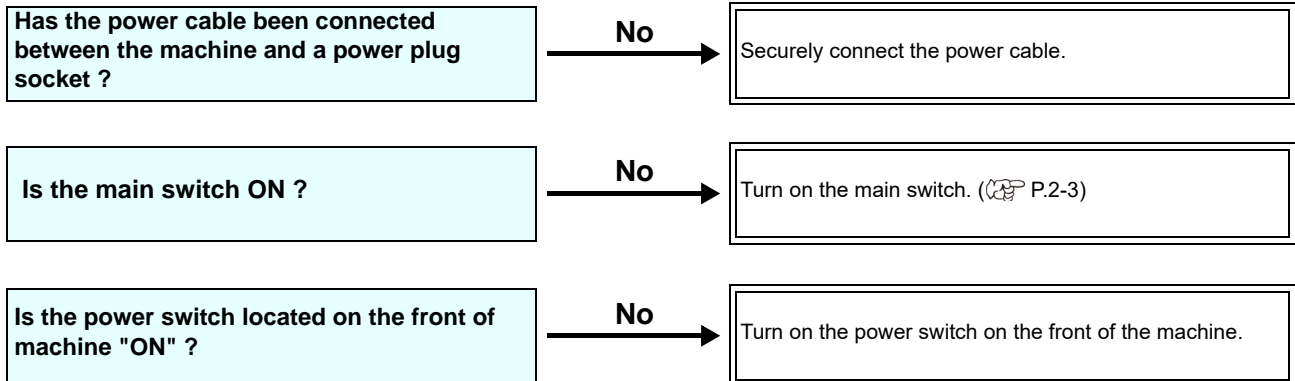
# Troubleshooting

Take appropriate actions as described below before taking the trouble as a failure.

If still the problem is not solved after troubleshooting, contact your local distributor, our sales office, or service center.

## Power does not turn on

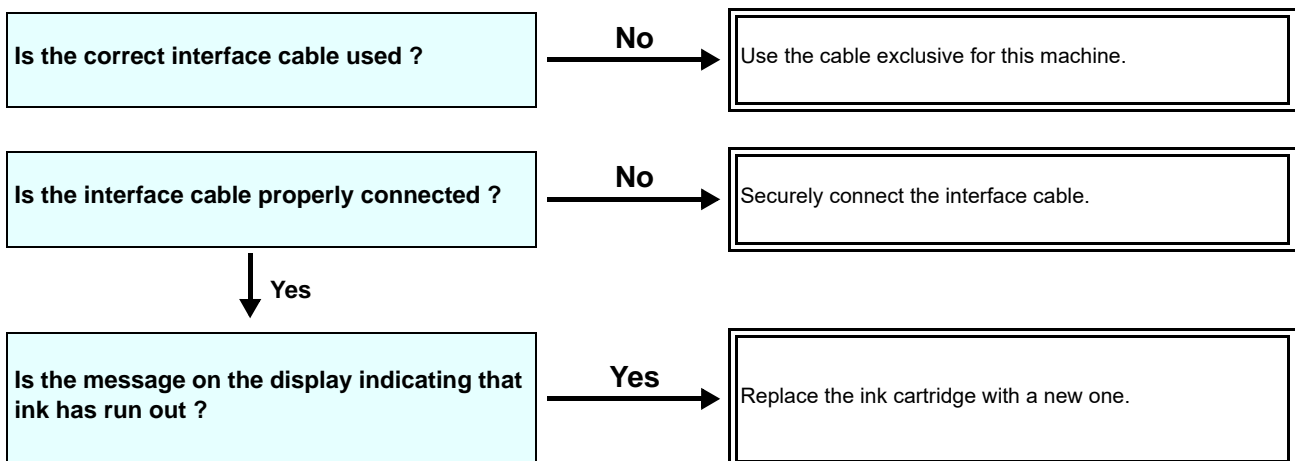
In most cases, this is due to improper connection of the power cable for the machine or computer. Check that the power cable is connected properly.



## The machine does not start printing

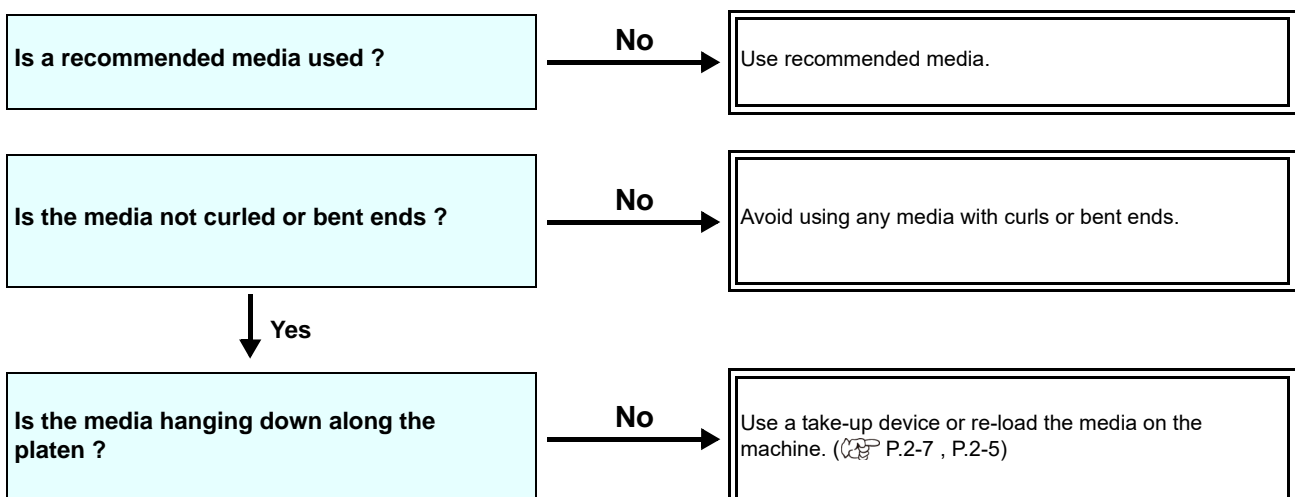
This occurs when the data is not being transmitted to the machine properly.

It can also occur when the printing function does not work properly or the media is not set correctly.



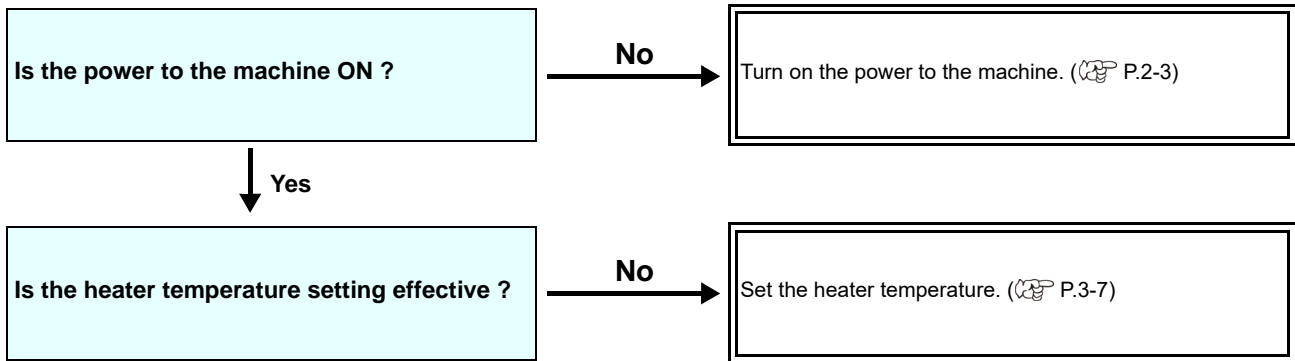
## Media get jammed / media is soiled

Media jamming or stained media is considered to be due to the use of an unsuitable media or improper setting of media.



## The heater's temperature will not rise to the set level

Check the basic operation.



## Image quality is poor

This section describes the corrective actions to be taken in case the image quality is not satisfactory.

Take remedy for particular problems with image quality. If the remedy does not work, contact your local distributor, our sales office, or service center.

Phenomenon	Measures
White lines / blur / dark stripes (in the direction of travel of the heads)	<ol style="list-style-type: none"> <li>(1) Execute the head cleaning. (☞ P.2-13)</li> <li>(2) Perform maintenance of the inside of the station. (☞ P.4-8)</li> <li>(3) Execute the [FEED COMP.] function. (☞ P.3-5)</li> <li>(4) If any pieces of paper or dust is attached on the path of the heads such as media press, remove it.</li> </ol>
Characters are double- or triple-printed in the media feed direction	<ol style="list-style-type: none"> <li>(1) Execute the [FEED COMP.] function. (☞ P.3-5)</li> </ol>
Disagreement in print positions between outward trip and homeward trip	<ol style="list-style-type: none"> <li>(1) Execute the [DROP POSITION] function. (☞ P.3-6)</li> </ol>
Ink drops falling on media during printing	<ol style="list-style-type: none"> <li>(1) Execute the wiper cleaning. (☞ P.4-8)</li> <li>(2) Execute the ink cap cleaning. (☞ P.4-8)</li> <li>(3) Clean around the head. (☞ P.4-13)</li> <li>(4) Execute the head cleaning [NORMAL]. (☞ P.2-13)</li> <li>(5) Set the INTERVAL WIPING operation. (☞ P.3-11)</li> </ol>

## Nozzle is clogged

When nozzle clogging is not dissolved even after the head cleaning referring to P.2-13, make sure the following operations.

- Wash the head nozzle by the operations of P.4-9.
- Wash the head nozzle surface by the operations of P.4-13.
- Recovery the nozzle by the operations of P.4-14.

## Ink cartridge warning appears

If an ink cartridge trouble is detected, the cartridge LED “red” is lit, and a warning message appears. None of printing, cleaning and all the other operations that use ink is available. In this case, replace the ink cartridge in question immediately.



- Once cartridge trouble is displayed, do not leave the ink cartridge without replacing it for a long time; otherwise, the machine will lose the nozzle clogging prevention function. If nozzles are clogged, the machine must be repaired by MIMAKI's service engineer.

## Displaying the description of ink cartridge trouble

The contents of cartridge error are confirmable by the following operations.

1

Press the  key in LOCAL.

2

Press the  key.

## When the ink leakage occurs

If the ink leakage occurs, unplug the power plug to turn off the main power switch, and contact your local distributor, our sales office, or service center.

## Warning / Error Messages

If some trouble occurs, the buzzer sounds and the display shows a corresponding error message.

Take an appropriate remedy for the displayed error.

### Warning messages

#### Errors when performing operations

Message	Cause	Solution
INVALID OPERATION :MEDIA UNDETECT	Operation cannot be performed because no media is detected.	• Execute after media is detected.
INVALID OPERATION :MOTOR POWER OFF	The motor is OFF after the cover was opened etc.	• Return to LOCAL and execute the operation after completion of initialization.
INVALID OPERATION INK ERROR	An ink error occurred.	• Execute the operation after replacing with a new ink cartridge.
INVALID OPERATION COVER OPEN	The front cover or the maintenance cover is opened.	• Execute the operation after closing the cover.
INVALID OPERATION DATA REMAIN	Data was received.	• Execute the operation after executing data clear. (☞ P.2-15)

#### Message displayed in LOCAL

Message	Cause	Solution
Can't print/cartridge	Multiple ink errors (unusable ink) have occurred, making it impossible to feed ink (printing and cleaning, etc.).	Replace with a new ink cartridge.
Check waste ink	The waste ink tank count has exceeded the prescribed amount.	Check the amount of waste ink in the waste ink tank. Conduct maintenance and waste ink tank replacement, and reset the amount of waste ink.
Replace WIPER	The used count of wiper has exceeded the prescribed number.	Execute maintenance, station maintenance and wiper exchange and replace the wiper.
HEATER Temp. error Powered off	Displayed when power is forcibly turned OFF and restarted after occurrence of "ERROR 710 heater temp error".	When displaying again, contact your local distributor, our sales office, or service center.
NO MEDIA	No media is set. Or, the sensor is faulty.	Set the media. If the same error message still appears after setting the media, contact your local distributor, our sales office, or service center.
DATA REMAIN	Print data is received in LOCAL.	Shift to REMOTE and execute printing. Or, execute data clear and cancel printing.
MACHINE TEMP./H **°C	Stable printing cannot be done because temperature in the installed environment (printer) is too high.	Adjust the ambient temperature to within the specified scope (20°C to 35°C).
MACHINE TEMP./L **°C	Stable printing cannot be done because temperature in the installed environment (printer) is too low.	

Message	Cause	Solution
Shake WHITE INK - cartridges	A warning to prevent settling of the white ink cartridge is regularly displayed.	Shake the white ink cartridge to prevent the ink components from settling.
Wash liquid cartridge none	The maintenance washing liquid cartridge is not set. Wiper washing and pump tube and nozzle washing cannot be executed. (Auto maintenance operation)	Set the maintenance washing liquid cartridge.
Wash liquid end	There is no remaining maintenance washing liquid. Wiper washing and pump tube and nozzle washing cannot be executed. (Auto maintenance operation)	Replace with a new washing liquid cartridge.
NCU SENSOR LEVEL LOW	The NCU sensor sensitivity is falling.	Replacement of the NCU is recommended. Contact your local distributor, our sales office, or service center.
Nozzle Missing Print Stopped	Because the nozzle check found nozzles missing, printing was stopped.	Perform head cleaning (☞ P.2-13) and deal with the nozzles clogging (☞ P.5-3).
NCU FLUSH POS Nozzle check OFF	Because an NCU-related error occurred during nozzle check, printing was stopped and the nozzle check function was turned OFF.	• Take steps according to the explanation for "ERROR 655 / NCU FLUSH POS".
NCU CENTER POS Nozzle check OFF		• Take steps according to the explanation for "ERROR 654 / NCU CENTER POS".
NCU SN ADJST Nozzle check OFF		• Take steps according to the explanation for "ERROR 656 / NCU SN ADJST".
NCU NZK CHK (HW) Nozzle check OFF		• Take steps according to the explanation for "ERROR 652 / NCU NZK CHK (HW)".
NCU NZK CHK (MARK) Nozzle check OFF		• Take steps according to the explanation for "ERROR 653 / NCU NZK CHK (MARK)".
NCU CONNECT	The NCU unit is not connected. The nozzle check function cannot be used.	• Turn off the power on the machine and turn it on after a while. When displaying again, contact your local distributor, our sales office, or service center.
REPLACE NCU	The NCU sensor sensitivity is too low to correctly judge nozzle missing. The nozzle check function cannot be used.	• NCU replacement is necessary. • Contact your local distributor, our sales office, or service center.
REPLACE NCU INK PAD	The NCU ink pad is full.	• It is necessary to replace the NCU ink pad. • Contact your local distributor, our sales office, or service center.
NCU ERROR Nozzle check OFF	Because an NCU-related error occurred during nozzle check, printing was stopped and the nozzle check function was turned OFF.	• Contact your local distributor, our sales office, or service center.

## Ink Error

Ink error is displayed also in the local guidance. (☞ P.3-30)

Message	Cause	Solution
WRONG INK IC	The ink IC chip of the ink cartridge cannot be read normally.	<ul style="list-style-type: none"> <li>Remove the cartridge generating the warning once and install it again.</li> <li>When displaying again, contact your local distributor, our sales office, or service center.</li> </ul>
INK TYPE	The ink of the ink cartridge is different in type from the ink currently supplied.	<ul style="list-style-type: none"> <li>Check the ink type of the cartridge generating the warning.</li> </ul>
INK COLOR	The ink of the ink cartridge is different in color from the ink currently supplied.	<ul style="list-style-type: none"> <li>Check the ink color of the cartridge generating the warning.</li> </ul>
WRONG CARTRIDGE	An error occurred in the ink IC chip information of the ink cartridge.	<ul style="list-style-type: none"> <li>Check the cartridge generating the warning.</li> <li>Make sure there is no nozzle clogging (Especially, white ink).</li> </ul>
NO CARTRIDGE	An ink cartridge has not been installed in the slot.	<ul style="list-style-type: none"> <li>Install an appropriate cartridge in the slot generating the warning.</li> </ul>
INK END	The ink of the ink cartridge has been completely used up.	<ul style="list-style-type: none"> <li>Replace the cartridge generating the warning with a new one.</li> </ul>
INK NEAR END	There is only a little bit of ink left in the ink cartridge.	<ul style="list-style-type: none"> <li>The ink will soon be used up. Be careful.</li> </ul>
Expiration	The ink has expired.	<ul style="list-style-type: none"> <li>Replace with new ink or use up as soon as possible. It is possible to print.</li> </ul>
Expiration:1MONTH	One month has passed since the ink expired.	<ul style="list-style-type: none"> <li>Replace with new ink or use up as soon as possible. It is possible to print.</li> </ul>
Expiration:2MONTH	Two months have passed since the ink expired.	<ul style="list-style-type: none"> <li>Replace with new ink. Cannot print.</li> </ul>
ERROR 63c INK REMAIN ZERO	The ink remaining has become 0 (Only when ink end / 4 color ink set).	<ul style="list-style-type: none"> <li>Replace the cartridge with a new one.</li> </ul>
INK LVL LOW	When using a 600ml cartridge, the remaining ink has dropped to less than 60ml.	<ul style="list-style-type: none"> <li>Remove and weigh the 600ml cartridge, then set it again.</li> <li>(☞ P.3-18 "When [Ink Level low] is displayed")</li> </ul>
INK LVL END	When using a 600ml cartridge, the remaining ink has dropped to less than 25ml.	

## Error messages

When an error message is displayed, eliminate the error according to the chart below.

When displaying again, contact your local distributor, our sales office, or service center.

Message	Cause	Solution
ERROR 122 CHECK:SDRAM	SDRAM is defective.	<ul style="list-style-type: none"> <li>• Turn off the power to the machine and turn it on after a while.</li> <li>• When displaying again, contact your local distributor, our sales office, or service center.</li> </ul>
ERROR 128 HDC FIFO OVER	Head control circuit board is defective.	
ERROR 128 HDC FIFO UNDER		
ERROR 129 BATTERY EXCHANGE	The battery life end of the internal clock is detected.	<ul style="list-style-type: none"> <li>• Contact your local distributor, our sales office, or service center.</li> </ul>
ERROR 130 HD DATA SEQ	Head data transferring sequence error occurred.	<ul style="list-style-type: none"> <li>• Turn off the power to the machine and turn it on after a while.</li> <li>• When displaying again, contact your local distributor, our sales office, or service center.</li> </ul>
ERROR 146 E-LOG SEQ	Sequential number abnormality of the event log occurred.	
ERROR 151 Main PCB V1R2	Error occurs in the power supply system of the main board.	
ERROR 152 Main PCB V2R5		
ERROR 153 Main PCB V3R3		
ERROR 154 Main PCB V05		
ERROR 157 Main PCB VTT		
ERROR 16e Main PCB V3R3B		
ERROR 15f HEAD DRIVE HOT		
ERROR 171 NEW HEAD CONNECT	New Print Head was recognized.	
ERROR 186 HDC OVERFLOW	An error is detected on the waveform printed on.	
ERROR 186 HDC UNDERFLOW		
ERROR 187 HDC SLEW RATE		
ERROR 188 HDC MEMORY		
ERROR 18a Main PCB V_CORE	An error occurred in the main PCB .	



Message	Cause	Solution
ERROR 18c Main PCB V12	An error occurred in the main PCB .	<ul style="list-style-type: none"> <li>• Turn off the power to the machine and turn it on after a while.</li> <li>• When displaying again, contact your local distributor, our sales office, or service center.</li> </ul>
ERROR 190 Main PCB V42-1		
ERROR 192 COMIO PCB V1R2	An error occurred in the COM16/32IO PCB .	
ERROR 193 COMIO PCB V2R5		
ERROR 194 COMIO PCB V3R3		
ERROR 195 COMIO PCB V24		
ERROR 1a0 SLDR2H PCB V1R2	An error occurred in the SLIDER2H PCB.	
ERROR 1a6 SLDR2H PCB V2R5		
ERROR 1a7 SLDR2H PCB V3R3		
ERROR 1a8 SLDR2H PCB V5		
ERROR 1a9 SLDR2H PCB V42		
ERROR 1e6 Size Shortage	PRAM board connection failure (including unconnected), Or breakdown. * Online printing cannot be performed when this error occurs. For other functions including maintenance function It can be used.	<ul style="list-style-type: none"> <li>• Turn off the power to the machine and turn it on after a while.</li> <li>• When displaying again, contact your local distributor, our sales office, or service center.</li> </ul>
ERROR 201 COMMAND ERROR	The machine received some data other than print data. Or, an error occurred in the transmitted print data.	<ul style="list-style-type: none"> <li>• Securely connect the interface cable in position.</li> <li>• Use an interface cable conforming to the specifications.</li> </ul>
ERROR 202 PARAMETER ERROR	An error occurred in the transmitted print data.	
ERROR 304 USB INIT ERR	An error occurred in the communication of USB.	<ul style="list-style-type: none"> <li>• Turn off the power on the machine and turn it on after a while.</li> <li>• When displaying again, contact your local distributor, our sales office, or service center.</li> </ul>
ERROR 305 USB TIME OUT		
ERROR 401 MOTOR X	An excessive load was applied to the X motor.	
ERROR 402 MOTOR Y	An excessive load was applied to the Y motor.	

Message	Cause	Solution
ERROR 403 X CURRENT	An error due to an excessive current of the X motor was detected.	<ul style="list-style-type: none"> <li>• Turn off the power on the machine and turn it on after a while.</li> <li>• When displaying again, contact your local distributor, our sales office, or service center.</li> </ul>
ERROR 404 Y CURRENT	An error due to an excessive current of the Y motor was detected.	
ERROR 423 TAKE-UP TENSION-BAR	Error in the option tension bar. <ul style="list-style-type: none"> <li>• The tension bar origin could not be found.</li> <li>• No change could be seen in the tension bar angle.</li> </ul>	<ul style="list-style-type: none"> <li>• Check the set state of the media.</li> <li>• Make sure that the media can be wound using the manual SW. Also, make sure that the tension bar rises. If it does not rise, adjust the counterweight while referring to the user manual attached to the AMF kit.</li> </ul>
ERROR 425 Take-UP WRONG	A problem has occurred in the option tension bar. <ul style="list-style-type: none"> <li>• The tension bar control position has deviated from the lowest point for a certain period.</li> </ul>	
ERROR 429 Take-UP LimitDETECT	LIMIT position of the tension bar has been detected. <ul style="list-style-type: none"> <li>• The tension bar control position has deviated from the highest point for a certain period.</li> </ul>	
ERROR 44f Take-UP Roll Sns Err	Roller sensor abnormality <ul style="list-style-type: none"> <li>• The roller sensor cannot be correctly read.</li> </ul>	<ul style="list-style-type: none"> <li>• Confirm that the winding unit of machine setting and tension bar setting are ON.</li> <li>• Check the set state of the media.</li> <li>• Confirm that the winding unit operates using the manual SW.</li> </ul>
ERROR 48a Detect Winding Failure	Detect Winding Failure <ul style="list-style-type: none"> <li>• Printing was stopped because the small take-up unit could not take up the media correctly.</li> </ul>	<ul style="list-style-type: none"> <li>• Check the status of the media set.</li> <li>• If the media has not been taken-up, reset it properly.</li> </ul>
ERROR 505 MEDIA JAM	The media jam occurs.	<ul style="list-style-type: none"> <li>• Remove the media and reset it.</li> <li>• When using Plus series: After a media jam occurs and printing stops, the head automatically returns to the station. After that, the following message is displayed. "Media jam occurred. Operation stopped. Media jam cause damage to the head. Please reset the media."</li> </ul>
ERROR 509 HDC POSCNT	An error occurred in the control position.	<ul style="list-style-type: none"> <li>• Turn off the power on the machine and turn it on after a while.</li> <li>• When displaying again, contact your local distributor, our sales office, or service center.</li> </ul>
ERROR 50a Y ORIGIN	Y-origin could not be detected.	
ERROR 50f L-SCALE BLACK	Abnormal linear scale.	
ERROR 529 LEnc.Count HPC[ ]		
ERROR 52a LEnc.Count HDC[ ]		
ERROR 50c MEDIA WIDTH SENSOR	The media width could not be correctly read.	<ul style="list-style-type: none"> <li>• Check the media set position. (☞ P.2-4)</li> <li>• Clean the media sensor. (☞ P.4-3)</li> <li>• Turn off the power on the machine and turn it on after a while.</li> </ul>
ERROR 516 MEDIA SET POSITION R	The media is set outside the proper area.	<ul style="list-style-type: none"> <li>• Check the media set position. (☞ P.2-5)</li> </ul>

Message	Cause	Solution
ERROR 528 PUMP MOTOR SENSOR	Pump sensor detection error	<ul style="list-style-type: none"> <li>• Turn off the power on the machine and turn it on after a while. When displaying again, contact your local distributor, our sales office, or service center.</li> </ul>
ERROR 602 CARTRIDGE END	Ink end (cannot be used, can only be used when cleaning with the 4-color ink set)	<ul style="list-style-type: none"> <li>• Replace with new ink.</li> </ul>
ERROR 608 WRONG INK IC	The ink IC chip for ink cartridge cannot be correctly read.	<ul style="list-style-type: none"> <li>• Make sure that the cartridge is correctly inserted.</li> <li>• Reinsert the cartridge.</li> <li>• Turn off the power on the machine and turn it on after a while. When displaying again, contact your local distributor, our sales office, or service center.</li> </ul>
ERROR 612 INK LVL LOW	When using a 600ml cartridge, the remaining ink has dropped to less than 60ml.	<ul style="list-style-type: none"> <li>• Remove and weigh the 600ml cartridge, then set it again.</li> </ul>
ERROR 613 INK LVL END	When using a 600ml cartridge, the remaining ink has dropped to less than 25ml.	<ul style="list-style-type: none"> <li>• (☞ P.3-18 “When [Ink Level low] is displayed”)</li> </ul>
ERROR 614 Preservation Failure	Writing in IC failed in the 600ml cartridge use and the weight input.	<ul style="list-style-type: none"> <li>• Make sure that the cartridge is correctly inserted.</li> <li>• Reinsert the cartridge.</li> <li>• Turn off the power on the machine and turn it on after a while. When displaying again, contact your local distributor, our sales office, or service center.</li> </ul>
ERROR 627 RE-INSERT CARTRIDGE	There is a slot in which the cartridge has not been inserted more than a certain time.	<ul style="list-style-type: none"> <li>• Set a cartridge.</li> </ul>
ERROR 628 WRONG INK CARTRIDGE	A problem has occurred in the ink IC chip information for ink cartridge. The used count has exceeded the prescribed value.	<ul style="list-style-type: none"> <li>• Make sure there is no nozzle clogging (especially for the white ink).</li> </ul>
ERROR 63c INK REMAIN ZERO	Remaining ink is 0 in the cartridge (ink end/ only when the 4-color ink set is used)?	<ul style="list-style-type: none"> <li>• Replace with new ink.</li> </ul>
ERROR 64C NCU ERROR	The nozzle check has been suspended due to some problem.	<ul style="list-style-type: none"> <li>• Turn off the power on the machine and turn it on after a while. When displaying again, contact your local distributor, our sales office, or service center.</li> </ul>
ERROR 650 NCU CONECT	The NCU unit is not connected.	
ERROR 651 REPLACE NCU	The NCU sensor sensitivity is too low to correctly judge nozzle missing. The nozzle check function cannot be used.	
ERROR 652 NCU NZK CHK (HW)	The NCU cannot correctly recognize the ink discharge, because there are frequent nozzle missing and ink droplet misalignment.	<ul style="list-style-type: none"> <li>• Check the state of the nozzles, and if there are frequent nozzle missing and ink droplet misalignment, conduct cleaning to restore.</li> </ul>
ERROR 653 NCU NZK CHK (MARK)		
ERROR 654 NCU CENTER POS	Adjustment of the discharge position to the NCU has failed.	
ERROR 655 NCU FLUSH POS		

Message	Cause	Solution
ERROR 656 NCU SN ADJUST	Sensor sensitivity adjustment has failed.	<ul style="list-style-type: none"> <li>Check the state of the nozzles, and if there are frequent nozzle missing and ink droplet misalignment, conduct cleaning to restore.</li> <li>If the same error message still appears after restoring the state of the nozzles, contact your local distributor, our sales office, or service center.</li> </ul>
ERROR 657 REPLACE NCU INK PAD	The NCU ink pad is full.	<ul style="list-style-type: none"> <li>Contact your local distributor, our sales office, or service center.</li> </ul>
ERROR 658 NCU SENSOR LV LOW	The NCU sensor sensitivity is falling.	<ul style="list-style-type: none"> <li>Replacement of the NCU is recommended. contact your local distributor, our sales office, or service center.</li> </ul>
ERROR 702 THERMISTOR CONNECT	The thermistor connection of a heater is defective.	<ul style="list-style-type: none"> <li>Turn off the power on the machine and turn it on after a while.</li> <li>When displaying again, contact your local distributor, our sales office, or service center.</li> </ul>
ERROR 710 HEATER TEMP ERROR	The temperature abnormality of the heater has been detected. When this error occurred and if the temperature abnormality cannot be resolved, the power supply of the machine is forcibly turned off.	<ul style="list-style-type: none"> <li>Turn off the power on the machine and turn it on after a while.</li> <li>When displaying again, contact your local distributor, our sales office, or service center.</li> </ul>
ERROR 901 INVALID OPERATION	Due to a certain error, the function cannot be performed.	<ul style="list-style-type: none"> <li>Return to the local screen, check the error status and take a countermeasure.</li> </ul>
ERROR 902 DATA REMAIN	There remains received data that has not yet been printed.	<ul style="list-style-type: none"> <li>Execute the data clear function. (☞ P.2-15)</li> </ul>
ERROR 90d NO HEAD SELECT	An error occurred in the mounted heads.	<ul style="list-style-type: none"> <li>Turn off the power on the machine and turn it on after a while.</li> <li>When displaying again, contact your local distributor, our sales office, or service center.</li> </ul>
ERROR 90f PRINT AREA SHORT	The media width or the media length required for printing is not enough.	<ul style="list-style-type: none"> <li>Change the media to the one with enough width or length.</li> <li>When the media width narrows because the origin moved, slide the origin to the right to widen the effective media width.</li> </ul>
ERROR 04 PARAM ROM	An error occurred in the main PCB FROM.	<ul style="list-style-type: none"> <li>Turn off the power on the machine and turn it on after a while.</li> <li>When displaying again, contact your local distributor, our sales office, or service center.</li> </ul>

## SYSTEM HALT

Message	Solution
SYSTEM HALT (*) 000 : MESSAGE	<ul style="list-style-type: none"> <li>Turn off the power on the machine and turn it on after a while. When displaying again, check the number and contact your local distributor, our sales office, or service center. ("000" is the error No.)</li> </ul>
SYSTEM HALT (*) 406 : WIPER ORG	<ul style="list-style-type: none"> <li>Perform cleaning around the wiper.</li> <li>Turn off the power on the machine and turn it on after a while. When displaying again, check the number and contact your local distributor, our sales office, or service center.</li> </ul>

# Chapter 6

## Appendix



### **This chapter**

contains the lists of the specifications and functions of this machine.

Specifications .....	6-2
Machine specifications .....	6-2
Ink specifications .....	6-4
Setting orders of ink cartridges .....	6-5
LICENSE Library .....	6-6
Sheet for inquiry .....	6-7

# Specifications

## Machine specifications

Item		JV300-130	JV300-160	JV300-130 Plus	JV300-160 Plus	
Print head	Method	Drop-on-demand piezoelectric print heads				
	Specification	2 head staggered				
Printing mode (scan x feed)		360×360dpi/ 540×360dpi/ 540×720dpi/ 720×1080dpi/ 720×1440dpi/ 1440×1440dpi				
Usable inks		Sublimation dye ink (Sb) : 6-colors (Y,M,BI,K or Dk,LBI,Lm) Solvent ink (SS) : 9-colors (Y,M,C,K, Lc,Lm, Or, Lk, W) Solvent ink (ES) : 6-colors (M, C, Y, K, Lm, Lc)				
Ink supply		Supplying from ink cartridges through tubes. Ink cartridge replacement type : Supplying by Toggle switch over with 2 cartridges/color (4-colors ink set)				
Capacity of ink cartridge		Y,M,C,K, Lc,Lm, Or, Lk, BI, LBI, Dk : 440ml cartridge W : 220ml		M, C, Y, K, Lm, Lc, Or, Lk : 440ml cartridge 600ml cartridge(SS21) 600ml Echo cartridge W : 220ml cartridge		
Usable media		Tarpaulin/ FF(Flexible Face)/ Weatherproof PVC				
Max. printing width		1361mm (53.6 in)	1610mm (63.4 in)	1361mm (53.6 in)	1610mm (63.4 in)	
Roll Media size	Maximum		1371mm (54.0 in)	1620mm (63.8 in)	1371mm (54.0 in)	1620mm (63.8 in)
	Minimum		210mm (8.3 in)			
	Thickness		1.0mm(0.04 in) or less			
	Printing surface		Side facing outward			
	Feed	Roll outside diameter <sup>*1</sup>	Paper media : Φ250mm(Φ9.8 in) or less Other media : Φ210mm(Φ8.3 in) or less		When the media edge guide is not used: Paper media: Φ250mm(Φ9.8 in) or less Other media: Φ210mm(Φ8.3 in) or less When using the media edge guide: Φ200mm(Φ7.87 in) or less <sup>*4</sup>	
		Roll weight <sup>*1, *2</sup>	40kg(88.2 lb) or less		45kg(99.2 lb) or less	
		Roll inside diameter	2 or 3 inches			
	Take-up	Roll outside diameter <sup>*1</sup>	Paper media : Φ250mm(Φ9.8 in) or less Other media : Φ210mm(Φ8.3 in) or less		When the media edge guide is not used: Paper media: Φ250mm(Φ9.8 in) or less Other media: Φ210mm(Φ8.3 in) or less When using the media edge guide: Φ200mm(Φ7.87 in) or less <sup>*4</sup>	
		Roll weight <sup>*1, *2</sup>	40kg(88.2lb) or less		45kg(99.2lb) or less	
		Roll inside diameter	2 or 3 inches			
		Roll end treatment	The roll end is gently fixed to the core with weak-adhesive tape or weak glue for easy removal.			
		Winding misalignment	-		~ Φ120 mm(4.8 in): ± 1 mm (0.04 in) ~ Φ 170 mm(6.7 in): ± 3 mm (0.12 in) ~ Φ 200mm(7.9 in): ± 5 mm (0.2 in) (When using the media edge guide)	
Leaf media size	Maximum	1371mm (54.0in)	1620mm (63.8in)	1371mm (54.0in)	1620mm (63.8in)	
	Minimum	210mm (8.3in)				
Margin	Leaf media	Left end and right end: 15 mm (0.6 in) (Default) Front:120 mm(4.7 in) Rear: 150 mm(5.9 in)				
	Roll media	Left end and right end: 15 mm (0.6 in) (Default) Front:120 mm(4.7 in) Rear: 150 mm(5.9 in)				

Item		JV300-130	JV300-160	JV300-130 Plus	JV300-160 Plus
Distance accuracy	Absolute accuracy	Whichever the larger one of $\pm 0.3$ mm(0.01 in) or $\pm 0.3\%$ of the designated			
	Reproducibility	Whichever the larger one of $\pm 0.2$ mm(0.008 in) or $\pm 0.1\%$ of the designated			
Perpendicularity		$\pm 0.5$ mm / 1000 mm( $\pm 0.02$ in / 39.4 in)			
Media skew		5 mm or less / 10 m (0.2 in or less / 32.8 ft)			
Head height adjustment		Select for manual 3-stage (2.0/2.5/3.0) + 1 mm(0.04 in) or + 2 mm(0.08 in) at installation. Base height can be raised.			
Cutting of media		Cutting of Y direction by the head cutter. Cutting accuracy (steps) : 0.5 mm( 0.02 in) or less.			
Media delivery		Take-up device supplied as a standard accessory (switching possible between face in and face out).			
Waste ink tank		Bottle type (2,000 ml)			
Interface	Print data transfer	USB 2.0		USB 2.0 、 Ethernet 1000BASE-T	
	E-mail function	Ethernet 10 BASE-T / 100 BASE-TX / 1000BASE-T			
Command		MRL- V			
Noise	during standby	Less than 58 dB (A) (FAST-A, Front & Rear & Left & Right 1 m)			
	during continuous printing <sup>*3</sup>	Less than 65 dB (A)			
	during discontinuous printing	Less than 70 dB (A)			
Safety Standard		VCCI-Class A, FCC-Class A, UL 60950, CE Marking (EMC,Low Voltage Directive,Machinery Directive, RoHS Directive), CB Report, IEC 62368-1 ETL, EAC mark, RoHS			
Power		AC100 - 120V/ 220 - 240V $\pm 10\%$ $\times 2$ 50/60Hz $\pm 1$ Hz			
Power consumption		1440W x 2 or less (AC 100 - 120V)			
Recommended Environment	Available temp.	20 °C to 30 °C (68 °F to 86 °F)			
	Humidity	35 to 65% Rh (No condensation)			
	Guaranteed temp.	20 °C to 25 °C (68 °F to 77 °F)			
	Temperature change	$\pm 10$ °C / h or less ( $\pm 50$ °F / h or less)			
	Dust	Equivalent to normal office level			
	Highest operation height	2000 m (6561.7 ft)			
Weight		170 kg (374.8 lb)	200 kg (440.9 lb)	170 kg (374.8 lb)	200 kg (440.9 lb)
Outside dimensions	Width	2525mm (99.4 in)	2775mm (109.3 in)	2525mm (99.4 in)	2775mm (109.3 in)
	Depth	700mm (27.6 in)		700mm (27.6 in)	
	Height	1392 mm (54.8 in)		1392 mm (54.8 in)	

\*1. It is outside diameter and weight after take-up media.

\*2. Without deflection of the roll when it is retained at both ends.

\*3. Operating Condition: Full load Measuring Method: According to clause 1.7.4.2 of Machinery Directive 2006/42/EC

\*4. Use within dia.200mm to 120mm. (Varies depending on the position of the edge guide)



## Ink specifications

Item		Sublimation dye ink	Solvent ink
Supply		Dedicated sublimation dye ink cartridge	
Color		Black ink cartridge Blue ink cartridge Magenta ink cartridge Yellow ink cartridge Light blue ink cartridge Light magenta ink cartridge Deep black ink cartridge	Black ink cartridge Cyan ink cartridge Magenta ink cartridge Yellow ink cartridge Light cyan ink cartridge Light magenta ink cartridge Light black ink cartridge Orange ink cartridge White ink cartridge
Ink capacity		440ml per cartridge	220ml / 440ml per cartridge 600ml cartridge(SS21) *1 600ml Echo cartridge *1
Shelf life		The period is printed on the ink cartridge. Within three months after opening the package even in the available period.	
Storage temperature	Storage	10 to 35°C(50 to 95°F) (Average daily temperature) Be sure to keep a vessel in the airtight condition. Be sure to keep a vessel in a dry, well-ventilated, cool and dark location.	
	Transportation	0 to 40°C (32 to 104°F) Avoid the condition lower than 0 °C and higher than 40 °C. (Avoid the condition lower than 32 °F and higher than 104 °F.)	

\*1. Applicable model: Plus series



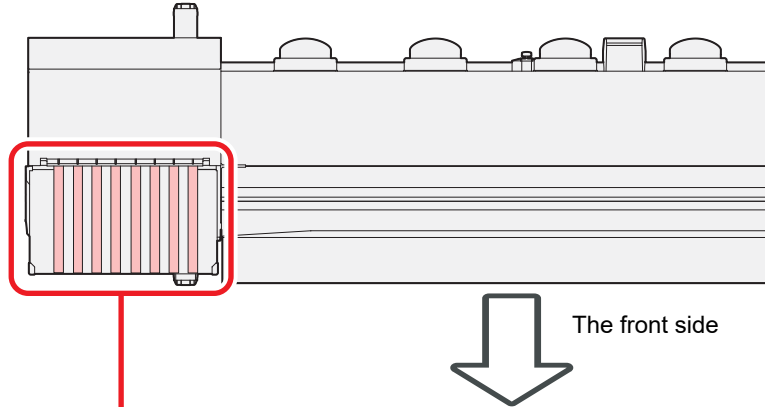
- Do not disassemble ink cartridges and do not refill them with ink.
- Ink could freeze if kept in a cold place for an extended period.
- When aqueous ink is used, if the ink freezes, the quality is changed and the ink becomes unusable. Store the ink in an environment that will not freeze the ink.

# Setting orders of ink cartridges

The setting value and the setting orders of the ink cartridges differ depending on the ink type you use.



- Set the ink cartridge according to the cartridge label under the ink station.



<b>4-colors model</b>	Sublimation dye ink (Sb53)	M	M	Bl	Bl	Y	Y	K or Dk	K or Dk
	Sublimation dye ink (Sb54)	M	M	Bl	Bl	Y	Y	K	K
	Solvent ink (SS21/ ES3)	M	M	C	C	Y	Y	K	K
<b>6-colors model</b>	Sublimation dye ink (Sb53)	M	M	Bl	Bl	Y	Lm	K or Dk	LBl
	Sublimation dye ink (Sb54)	M	M	Bl	Bl	Y	Lm	K	LBl
	Solvent ink (ES3)	M	M	C	C	Y	Lm	K	Lc
<b>6 + special colors model</b>	Solvent ink (SS21/ ES3)	M	W	C	W	Y	Lm	K	Lc
		M	W	C	W	Y	Or	K	Lk
	Solvent ink (SS21)	M	Or	C	Lk	Y	Lm	K	Lc

# LICENSE Library

Mimaki printer Firmware

Copyright ©2020 MIMAKI ENGINEERING CO.,LTD. All rights reserved.

This product contain open source software listed in the tables below.

Component	License
StarterWare for ARM® based TI Sitara Processors	BSD-TI

The following license terms and conditions shall apply to the open source software listed in the table above:

## BSD-TI

Copyright (C) 2010 Texas Instruments Incorporated - <http://www.ti.com/>

Redistribution and use in source and binary forms, with or without modification, are permitted provided that the following conditions are met:

1. Redistributions of source code must retain the above copyright notice, this list of conditions and the following disclaimer.
2. Redistributions in binary form must reproduce the above copyright notice, this list of conditions and the following disclaimer in the documentation and/or other materials provided with the distribution.
3. Neither the name of Texas Instruments Incorporated nor the names of its contributors may be used to endorse or promote products derived from this software without specific prior written permission.

THIS SOFTWARE IS PROVIDED BY THE COPYRIGHT HOLDERS AND CONTRIBUTORS "AS IS" AND ANY EXPRESS OR IMPLIED WARRANTIES, INCLUDING, BUT NOT LIMITED TO, THE IMPLIED WARRANTIES OF MERCHANTABILITY AND FITNESS FOR A PARTICULAR PURPOSE ARE DISCLAIMED. IN NO EVENT SHALL THE COPYRIGHT OWNER OR CONTRIBUTORS BE LIABLE FOR ANY DIRECT, INDIRECT, INCIDENTAL, SPECIAL, EXEMPLARY, OR CONSEQUENTIAL DAMAGES (INCLUDING, BUT NOT LIMITED TO, PROCUREMENT OF SUBSTITUTE GOODS OR SERVICES; LOSS OF USE, DATA, OR PROFITS; OR BUSINESS INTERRUPTION) HOWEVER CAUSED AND ON ANY THEORY OF LIABILITY, WHETHER IN CONTRACT, STRICT LIABILITY, OR TORT (INCLUDING NEGLIGENCE OR OTHERWISE) ARISING IN ANY WAY OUT OF THE USE OF THIS SOFTWARE, EVEN IF ADVISED OF THE POSSIBILITY OF SUCH DAMAGE.

# Sheet for inquiry

Use this sheet for troubles and abnormal functions of the machine.  
Fill in the following necessary items, and then fax the sheet to our sales office.

<b>Company name</b>	
<b>Person in charge</b>	
<b>Telephone number</b>	
<b>machine model</b>	
<b>Operating OS</b>	
<b>Machine information *1</b>	
<b>Error message</b>	
<b>Contents of inquiry</b>	

\*1. Refer to "Confirming Machine information" of "Convenient using" then fill in necessary information. (P.3-29)



# **JV300-130/160, JV300-130/160 Plus Operation Manual**

---

---

November 2022

**MIMAKI ENGINEERING CO.,LTD.**

2182-3 Shigeno-otsu, Tomi-shi, Nagano 389-0512 JAPAN

---

---

D202681-35-01112022



KM

FW : 4.30 (JV300)

2.30 (JV300 Plus)