



TF-1620PSD

**Toyota Falcon Pneumatic Semi-Auto Dual
16" X 20" Heat Press With Lasers**

MANUAL



Please read these operating instructions carefully so you can start production with your press without problems. Reproduction of these operating instructions in any form requires the written approval of Toyoda Falcon. We reserve all rights to change technical data and product features. Toyoda Falcon does not assume any liability for direct or indirect damage resulting from use of this product.

BRIEF OVERVIEW

TF-1620PSD

Toyoda Falcon Pneumatic Semi-Auto Dual 16" X 20" Heat Press With Lasers

The design of the Toyoda Falcon Pneumatic Semi-Auto Dual 16" X 20" Heat Press With Lasers combines a heavy-duty solid steel industrial grade pressing framework with accurate and easy to use electronics. Utilize it's semi-auto feature as the press will automatically open within your desired time. This provides the operator with the best possible features and equipment needed for today's various heat transfer applications.

Double station heat presses significantly add to the productivity of heat transfer pressing by relieving the operator of the major manual tasks normally associated with the manual heat press processes.

FEATURES

- Auto open
- Pneumatic double station transfer press for medium and large batches
- Pressure balancing system on heat plate and bottom plate
- Industrial grade heavy duty heat press machine 16" x 20"
- Thick cast aluminum heat plate for evenly distributed temperature
- Flexibly adjustable air pressure by air reducing valve with water separator
- Two-hand operation for safety use
- 5CE & ROHS approved
- 0.8MPa (120 PSI) for heavy pressure application
- Self-pressure balancing system
- Powered by an air compressor (Not Included)
- Includes teflon sheet on the heat plate
- Laser system included
- Table included

FEATURE DIAGRAM

- A.** Power switch
- B.** Two hand control press buttons
(works on manual mode)
- C.** Temperature controller
- D.** Manual/automatic switch button
- E.** Laser positioning system
- F.** Emergency stop button
- G.** Handle
- H.** Air reducing valve
- I.** Heat plate
- L.** Bottom platen
- K.** Bottom pressure balancing system
- L.** Stand
- M.** Height adjustable foot



SAFETY PRECAUTIONS

Please read these instructions and safety precautions carefully before using your press for the first time!

- Never reach into the heat press with your hands when it is connected to the power supply, particularly when it is switched on and heated up – danger of severe burns!
- Do not open the cover or attempt to modify the machine yourself without instruction.
- In case you are requested by the Toyota Falcon customer support to open the heating plate cover, please make sure you are wearing respiratory protection and only touch the contained insulation wool with gloves. Any disposal of the wool must be contained in a closed bag.
- Ensure that liquids and metal objects do not get into the inside of the heat press.
- Ensure that the power socket used is grounded. Note that it is only permissible to operate a heat press from a power socket protected by a ground fault protection switch.
- Disconnect machine from power outlet when not in use.
- Never operate the heat press within the reach of children and never leave the machine unsupervised when switched on.
- Ensure that the machine is used only in dry rooms.
- Pay attention that the used compressor is attuned to the air consumption and the pressure

CONTROLLER

With the temperature controller, not only can you adjust the temperature of the press (°C and °F) but also the press time. Toyota Falcon heat presses allow you to display both the set value and the temperature of the press all on the same screen. Utilize the in-press counter (reset after power off) function to count the number of transfers that have been made during the current session.



Press and hold the SET button to enter parameter setting interface. Press and hold the SET button to exit parameter setting interface.





Press the down key to decrease the corresponding parameter value.



Press the up key to increase the corresponding parameter value. Press and hold the up key to start self-tuning (°C or °F on the panel blinks.) Once the machine begins self-tuning, do not unplug or press any key until the self-tuning is done (°C or °F stop blinking). Before apply self-tuning, set temperature to normal working temperature and let the heat plate cool down to room temperature. Apply self-tuning when the machine could not control temperature properly. Self-tuning will change PID parameter automatically.

Do not change parameters except Pb and SL2 without our instruction.

Parameter code		Function
	Pb	Temperature calibration: If measured temperature 1°C or 1°F lower than the showing temperature, decrease the value 1.
	SL2	0: Celsius (°C) 1: Fahrenheit (°F)

OPERATION

Pneumatic Connection

- TF-1620PSD requires air compressor with minimum 800w (1 hp) and 30L (8 gallon) hold tank.
- Connect 5mm inner diameter (usually 8mm outer diameter) air hose to the machine. Charge the compressor to 0.6-0.7 Mpa, up to 0.8 Mpa (120 psi) if possible.
- Set the desired air pressure on the air reducing valve of the heat press by pulling up the cap at the top end and then turning it. After the pressure is set, push the cap back down. The set pressure should be lower than on the manometer of the compressor. Commonly used pressures are between 0.4 to 0.6 Mpa (60 to 90 psi).

Power Supply

- Connect the heat press to a power socket using the connection cable supplied.
- Switch on the press with the red power switch.

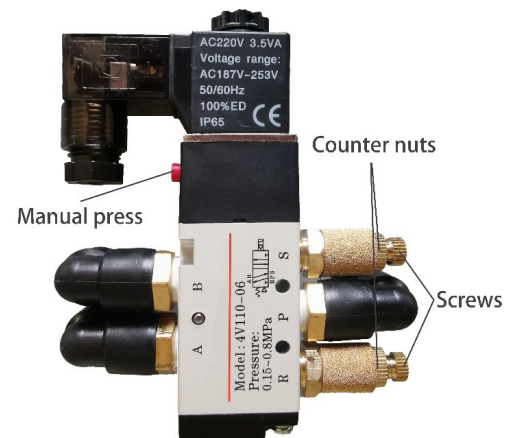
Operating Transfers

- Set the desired air pressure on the air reducing valve of the heat press by pulling up the cap at the top end and then turning it. After the pressure is set, push the cap back down.
- Bring the press head into an end position right or left.
- Manual mode: Shuttle the upper platen over the garment and design. Press both Press Buttons located on the side of the head to press.
- Semi-auto mode: The heat plate will press automatically when the head reaches either end.
- After the timer count to zero, the heat plate lifts automatically.
- By pressing the red emergency stop button, transfer process can be stopped at any time.



Operation of Solenoid Valve

- On the side of the solenoid valve there are two silver/golden screws which restricting the air flow speed of the cylinder.
- If the screws are screwed out, it accelerates up/down process of the cylinder.
- When the screws are screwed in, it slows down up/down process of the cylinder
- Fix the respective setting with the corresponding counter nuts by tightening them by hand.



MAINTENANCE AND CLEANING

Maintenance work should always be accomplished with the press switched off and cooled down. The plug must first be disconnected from the power socket. Consult Technical Support before carrying out any maintenance work. Clean the press regularly with a soft cloth and mild household cleaner to remove adhesive residues etc.

SPECIFICATIONS

Model: TF-1620PSD

Electrical: 110V, 15amps, 1800w

Max Temp: 260°C (500°F)

Time Range: 0-999sec

Platen: 16" x 20"

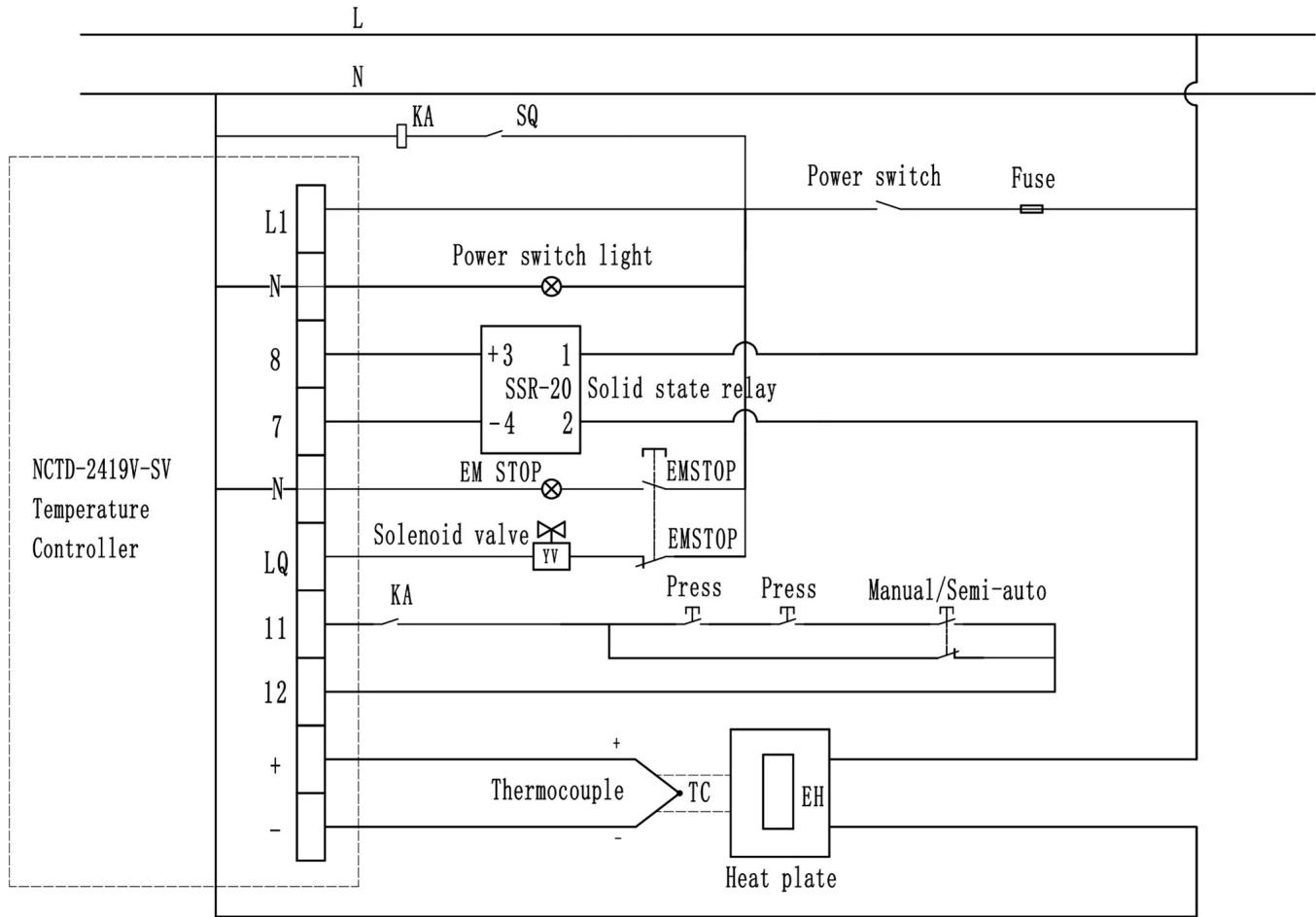
Dimensions: 42.5" x 27.8" x 23.2"

Weight: 320 lbs

Crate Size: 48" x 32" x 28"

Crate Weight: 340 lbs

CIRCUIT DIAGRAM



CERTIFICATION

CE Certification

We herewith declare that the product meets the provisions of the following EC Directives and Harmonized Standards:



Certificate Number: M.2020.206.C9752

- 2006/42/EC Machinery Directive
- 2014/35/EU Low Voltage Directive
- Related Standards: EN ISO 12100:2010, EN 60204-1:2018

RoHS Test

We herewith declare that the product conforms to RoHS Directive 2011/65/EU Annex II amending Annex (EU) 2015/863 and amending Annex (EU) 2017/2102.



Report No.: B-R2203A0560