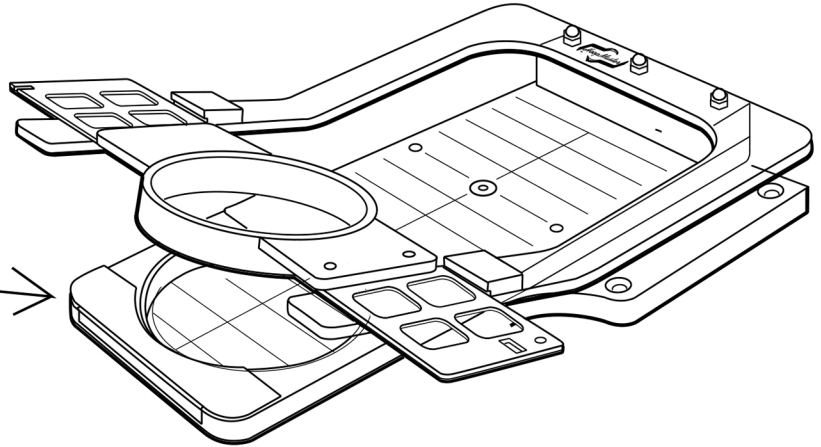


# Difference between the normal fixture and the cap back fixture

## Normal Fixture

The normal fixture has a bigger front because of the backing holder. You can still hoop small items like cap backs, but some caps are more difficult on this normal fixture.



Most customers use this normal fixture, because it is also good for sleeves and items that need backing material.

## Cap Back Fixture

If you do not do many sleeves or items that need backing material. Then the cap back fixture is a better choice. The front of the cap back fixture is smaller because there is not a magnetic backing holder. This allows the fixture to hoop smaller items even easier than the normal fixture. The only drawback is that you do not have the backing holder for items like sleeves.

