

ENTRY LEVEL MANUAL SCREEN PRINTERS

CRAFTPRINTER

V-10-11

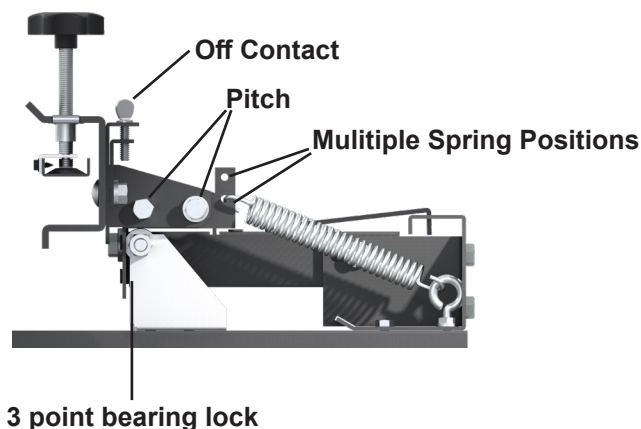
1 Station/1 Color Tabletop Press*

Standard size 14" x 16"
(36 x 41 cm) steel pallets



V-10 features

- VALUE** Quality at an entry level price
- LONG LASTING** All steel construction including pallet
- PRECISE** Accurate registration for repeatable prints
- INNOVATIVE** Floating Head, 3 point bearing lock
- COMPACT** Only 14" wide x 28.5" deep (35.9 x 72.4 cm)
- PORTABLE** At only 25 lbs (11.4 kg), it's easy to transport
- ADJUSTABLE** Screen off contact and level adjustments
- CAPACITY** Holds up to 23" x 31" (58 x 78 cm) screens
- GUARANTEED** 1 year warranty on manufacturer's defects
- SHIPS UPS** Ships UPS with easy step by step instructions



V-10-11-PK

V-10 w/ Pallet Kit Includes
press, 10x16", 14x16", 16x20"
and 4x16" pallets



Pallet Options

- V10P-1016 (Youth) - 10 x 16" (25 x 41 cm)
- V10P-1416 (Standard) - 14 x 16" (36 x 41 cm)
- V10P-1620 (Oversized) - 16 x 20" (41 x 51 cm)
- V10P-SLS416 (Sleeve) - 4 x 16" (25 x 41 cm)
- Other pallets available including adapters, attachments and quick stretches
- Pallet rubber with adhesive
- Neck guide

Shipping V-10

	Dimensions	Weight
Press Only	25" x 17" x 7"	30 lbs
	(64 x 43 x 18 cm)	(13.6 kg)
Pallet Kit	25" x 19" x 7"	24 lbs
(includes 3 pallets)	(64 x 49 x 18 cm)	(10.9 kg)

* Press comes unassembled with easy step by step assembly instructions.

