

Epson® SureColor® T3475/T5475

Start Here

IMPORTANT: Before using this product, make sure you read these instructions and the safety instructions in the online *User's Guide*.

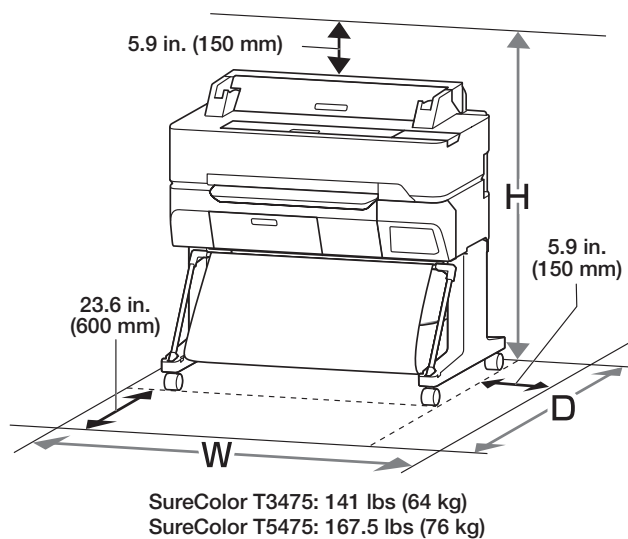
The illustrations show the SureColor® T3475, but the steps are the same for all models, unless otherwise specified.

Note: Availability of models varies by country.

Choose a Location for the Printer

Choose a location for the printer that is near a wall outlet where the power cord can be easily unplugged. Avoid places subject to rapid changes in temperature and humidity. Also keep the printer away from direct sunlight, strong light, or heat sources.

Make sure to place the printer on a flat, stable surface capable of supporting the weights indicated below and with enough space on all sides (see illustration below).

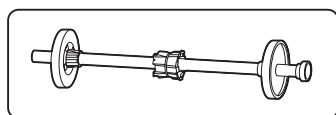


WARNING: The SureColor T3475 printer requires two people to lift and move it (three people for the SureColor T5475).

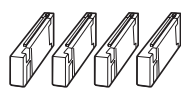
Unpack and Place Printer

1 Make sure you have these items:

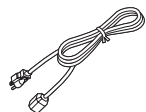
Printer



Printer and roll spindle



Ink cartridges (4)

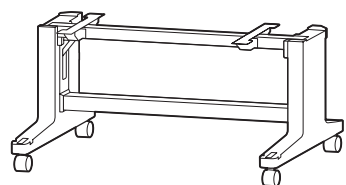


Power cord



Limited warranty

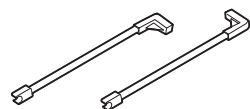
Stand



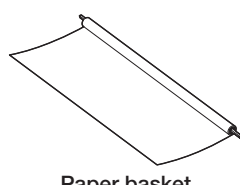
Stand (assembled)



Bolts (4)



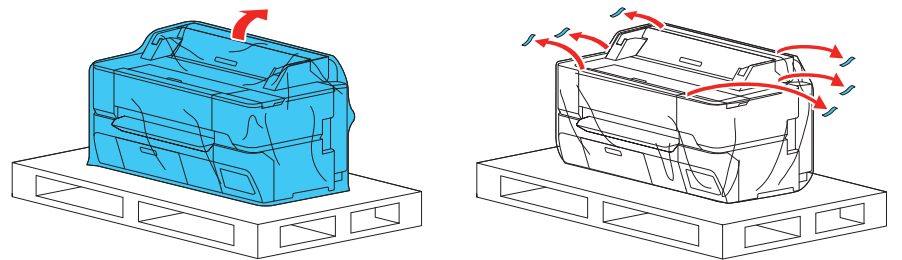
Basket rods



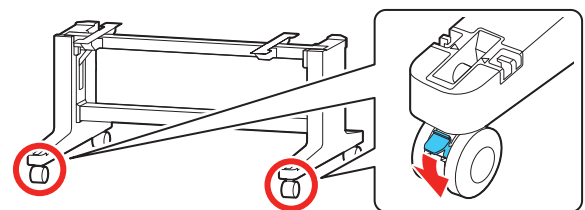
Paper basket

Note: To assemble the stand, see the instructions included with the stand packaging.

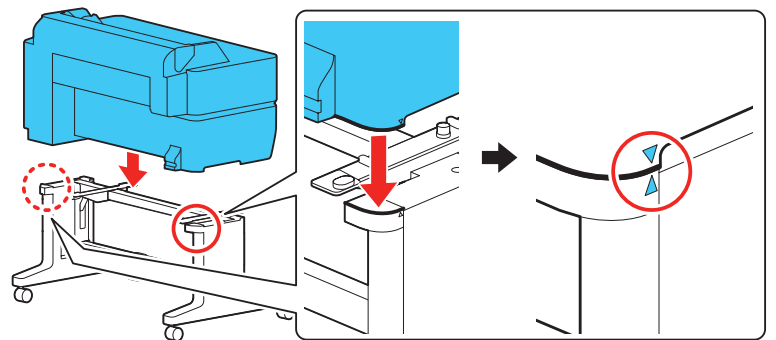
2 Remove the protective plastic from the outside of the printer.



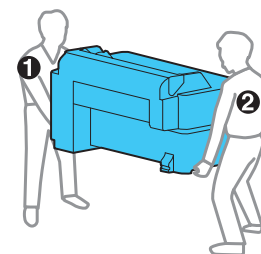
3 If you are installing the printer on the stand, lock the front casters by pushing the tabs down.



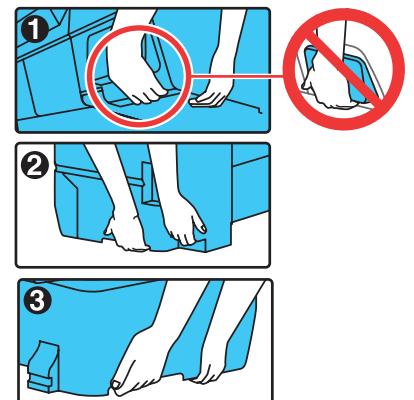
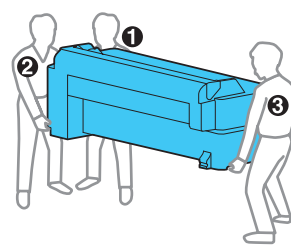
4 Lift and place the printer on the stand. Make sure to grip the printer as shown in the illustrations.



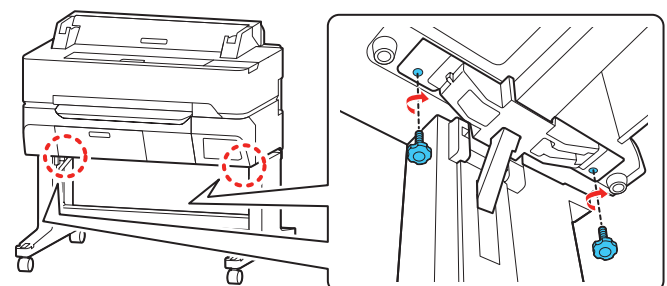
SureColor T3475



SureColor T5475

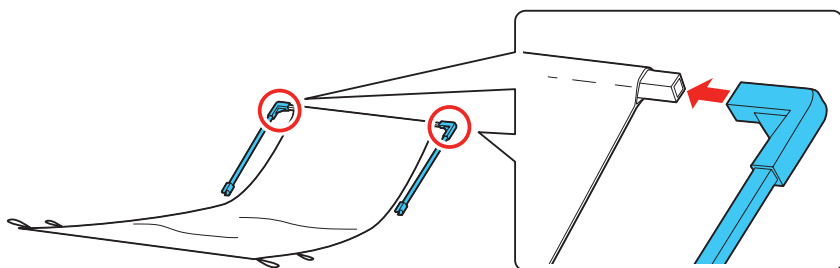


5 Secure the printer to the stand using the supplied bolts.

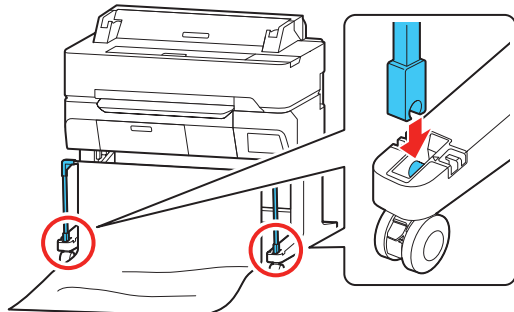


Install Paper Basket

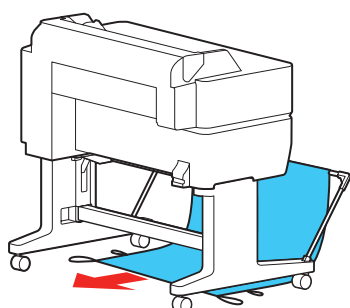
- 1 Attach the rods to the paper basket as shown.



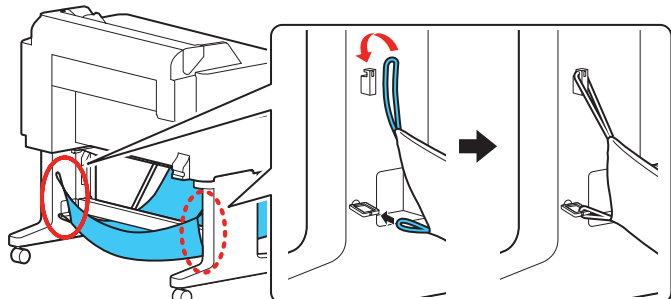
- 2 Insert the end of the rods into the front legs of the stand until they snap into place.



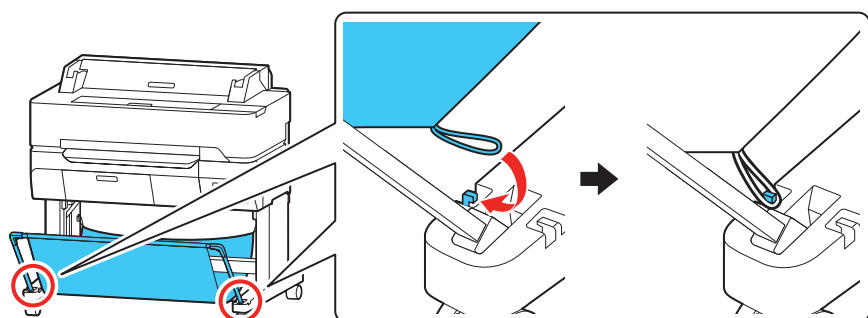
- 3 Push the basket canvas through to the back of the printer. Make sure the canvas is underneath the support brace.



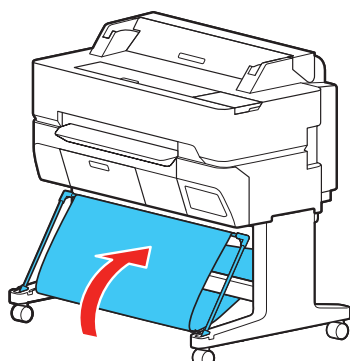
- 4 Attach the basket loops to the hooks on the stand as shown.



- 5 Attach the basket loops to the hooks on the front legs of the stand.



- 6 Close the paper basket by pushing it towards the printer stand.

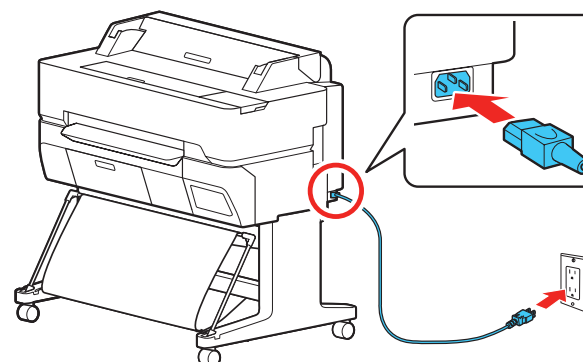


Install Ink Cartridges

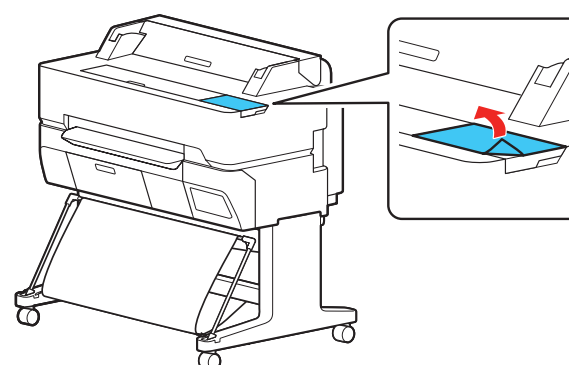
Note:

- The printer is designed for use with Epson® cartridges only, not third-party cartridges or ink.
- The cartridges included with the printer are designed for printer setup and not for resale. After some ink is used for initializing, the rest is available for printing.

- 1 Connect the power cord to the printer and plug the other end into an outlet.

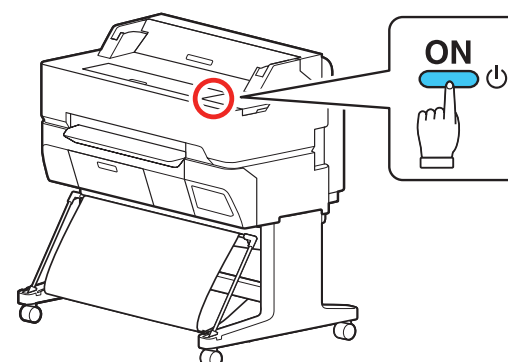


- 2 Remove the protective film from the touchscreen.



Note: The touchscreen will not operate if you do not remove the protective film.

- 3 Press the **ON** button on the control panel to turn on the printer. Raise the control panel if necessary.



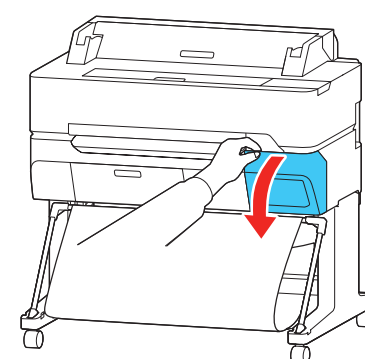
- 4 Select your language on the LCD screen.

- 5 Select the date and time.

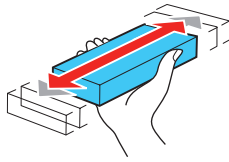
- 6 Follow the prompts to begin ink initialization.

Note: Select **See Guide** to view additional instructions.

- 7 Open the ink cartridge cover.

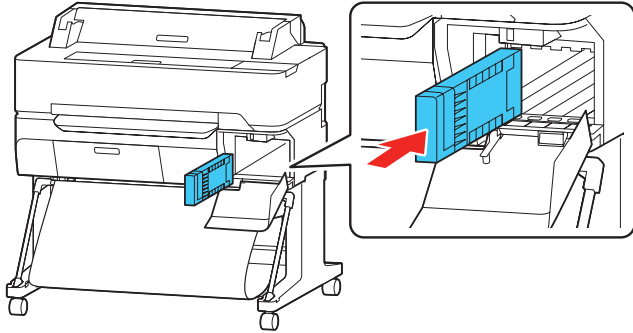


- 8 Gently shake one of the ink cartridges for about 10 seconds, then remove it from its packaging.



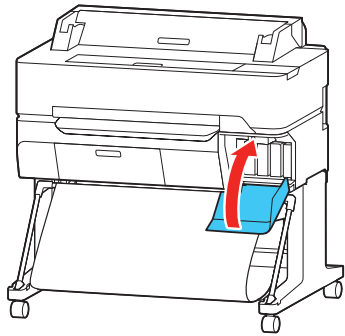
Caution: Do not touch the green chip on top of the cartridge.

- 9 Insert the cartridge into the slot for the corresponding color and push it in firmly.



- 10 Repeat steps 8 and 9 for the remaining ink cartridges.

- 11 Close the ink cartridge cover.



- 12 The printer starts initializing the ink. This takes 20 to 30 minutes. The home screen appears when charging is complete.

Caution: Do not turn off or unplug the printer or perform any other operations during ink charging.

- 13 To load paper, select **Paper Setting**, then select your paper source and follow the on-screen instructions.

Note: See the online *User's Guide* for detailed instructions on loading paper.

Install Software

Note: An internet connection is required to obtain the product software.

- 1 Download and run your product's software package:

SureColor T3475

U.S.: www.epson.com/support/t3475

Canada: www.epson.ca/support/t3475

SureColor T5475

U.S.: www.epson.com/support/t5475

Canada: www.epson.ca/support/t5475

- 2 Follow the instructions on the screen to run the setup program.

- 3 When you see the Select Your Connection screen, select one of the following and follow the on-screen instructions:

- **Wireless connection**

In most cases, the software installer automatically attempts to set up your wireless connection. If setup is unsuccessful, you may need to enter your network name (SSID) and password.

- **Direct USB connection**

Make sure you have a USB 2.0 or 3.0 cable (not included).

Note: If you do not use a USB 2.0 or 3.0 cable, print speed and performance may decline.

- **Wired network connection**

Make sure you have an Ethernet cable (not included).

Product Support

User's Guide

Instructions for using and maintaining your printer.

Windows®: Click the icon on your desktop or Apps screen to access the online *User's Guide*.

Mac: Click the icon in Applications/Epson Software/Guide to access the online *User's Guide*.

If you don't have a User's Guide icon, go to the Epson website, as described below.

Epson technical support

Visit www.epson.com/support (U.S.) or www.epson.ca/support (Canada) and search for your product to download software and utilities, view manuals, get FAQs and troubleshooting advice, or contact Epson.

Epson provides technical support and information on the installation, configuration, and operation of professional printing products through the Epson PreferredSM Limited Warranty Plan. Dial (888) 377-6611, 6 AM to 6 PM, Pacific Time, Monday through Friday. Days and hours of support are subject to change without notice. Before you call, make sure you have your:

- Printer serial number: _____
- Proof of purchase and date: _____

Note: If you experience difficulty with the toll-free line, call (562) 276-1305.

Recycling

Epson offers a recycling program for end of life hardware and ink cartridges. Please go to www.epson.com/recycle (U.S.) or www.epson.ca/recycle (Canada) for information on how to return your products for proper disposal.

Need Ink?

You can purchase ink from an Epson authorized reseller. To find the nearest reseller, call 800-GO-EPSON (800-463-7766).

Epson SureColor T3475/T5475 replacement ink cartridges

Color	110 ml	350 ml	700 ml
● Black	T41W520	T41P520	T41N520
● Cyan	T41W220	T41P220	T41N220
● Magenta	T41W320	T41P320	T41N320
● Yellow	T41W420	T41P420	T41N420



EPSON and SureColor are registered trademarks and EPSON Exceed Your Vision is a registered logomark of Seiko Epson Corporation.

Epson Preferred is a service mark of Epson America, Inc.

Windows is a registered trademark of Microsoft Corporation in the United States and/or other countries.

Mac is a trademark of Apple Inc., registered in the U.S. and other countries.

General Notice: Other product names used herein are for identification purposes only and may be trademarks of their respective owners. Epson disclaims any and all rights in those marks.

This information is subject to change without notice.

© 2020 Epson America, Inc., 3/20

Printed in U.S.A.

CPD-58909