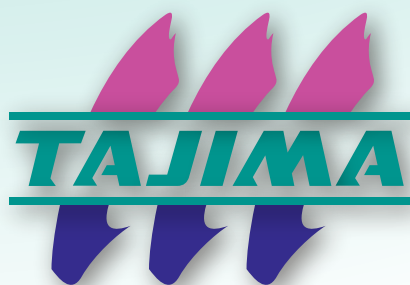


# ***PARTS LIST***

---

## ***TFMX-II C***

### ***TYPE-2***



# Table of Contents

● GENERAL VIEW	
● FRAMING.....	MJ-1
● TABLE.....	MJ-2
● MAIN SHAFT DRIVE SYSTEM.....	MJ-3
● GEAR BOX.....	MJ-4
● CYLINDER BED.....	MJ-5
● COLOR CHANGE SYSTEM A.....	MJ-6a
● COLOR CHANGE SYSTEM B.....	MJ-6b
● ARM 1.....	MJ-7-1
● ARM 2.....	MJ-7-2
● ARM 3.....	MJ-7-3
● NEEDLE BAR CASE 1.....	MJ-8-1
● NEEDLE BAR CASE 2.....	MJ-8-2
● FRONT COVER.....	MJ-9
● ATH DRIVE SYSTEM.....	MJ-10
● X-AXIS DRIVE SYSTEM 1.....	MJ-11-1
● X-AXIS DRIVE SYSTEM 2.....	MJ-11-2
● Y-AXIS DRIVE SYSTEM.....	MJ-12
● AUXILIARY DRIVE SYSTEM A.....	MJ-13a
● AUXILIARY DRIVE SYSTEM B.....	MJ-13b
● TENSION BASE.....	MJ-14
● THREAD STAND.....	MJ-15
● EMBROIDERY FRAME.....	MJ-16
● ELECTRICAL PARTS.....	MJ-17
● OPERATION PANEL.....	MJ-18

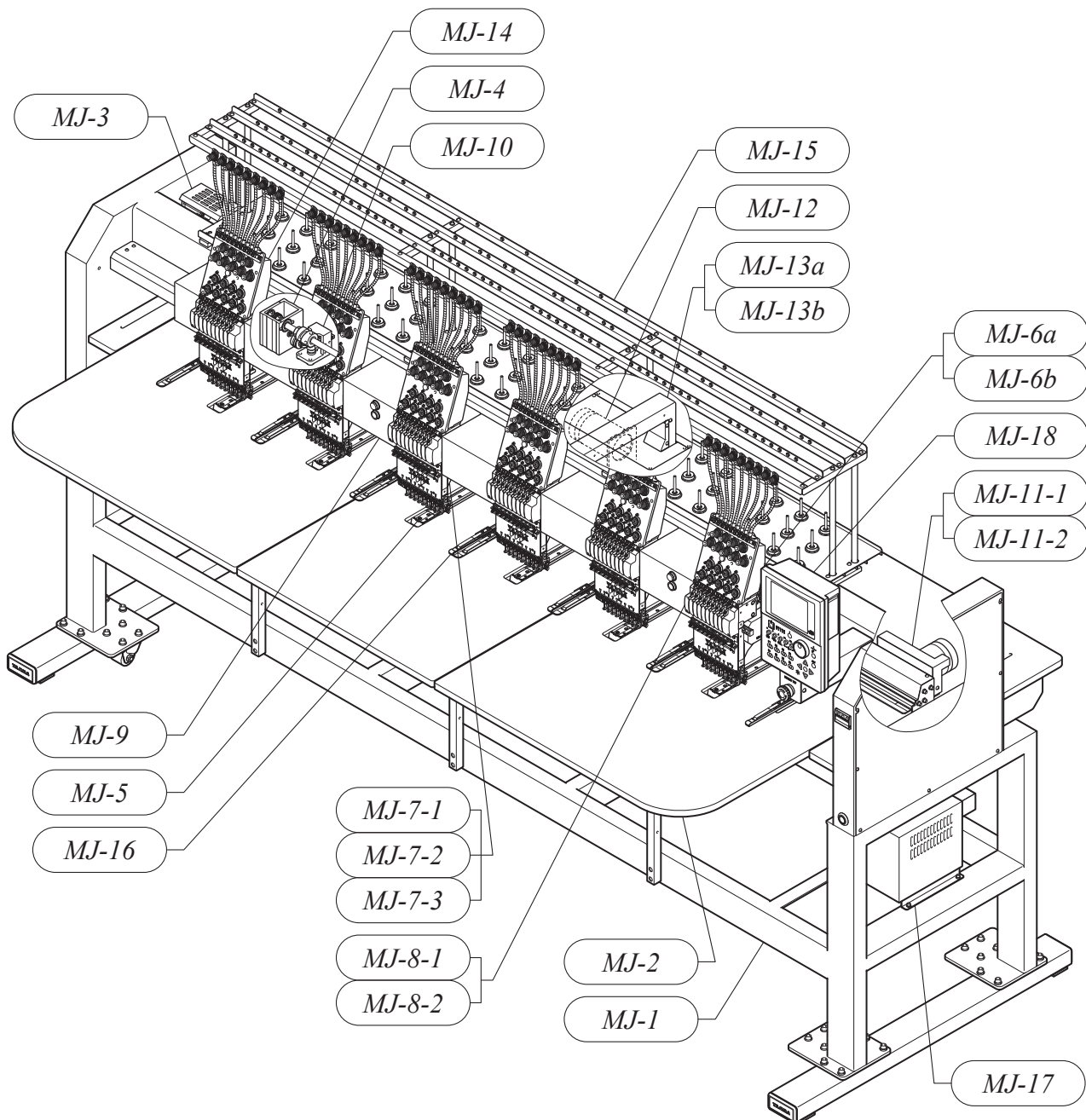
Part Nos. of screws, nuts, washers etc. are listed at the end of volume.

\*Regarding the part number that contains description of @, the part differs depending on model, spec. etc.

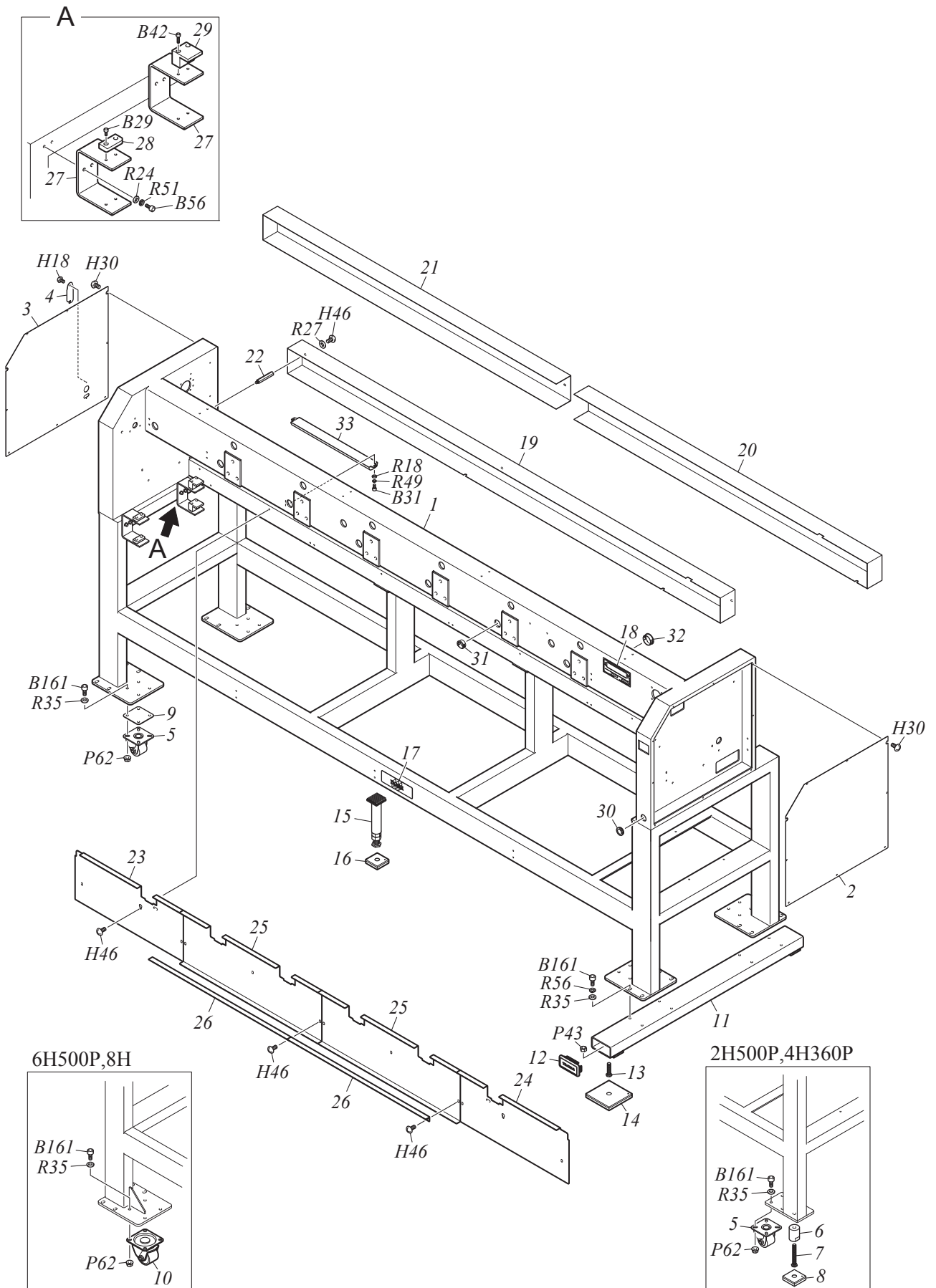
\*When you place an order of such a part, please also inform us of your model, embroidery space and manufacturing number of the machine.

<b>Ex.</b>	TFMX-IIC906	450 x 360S	No.MJ901234
	[Model]	[Emb. Space]	[Mfg. No.]

GENERAL VIEW



FRAMING



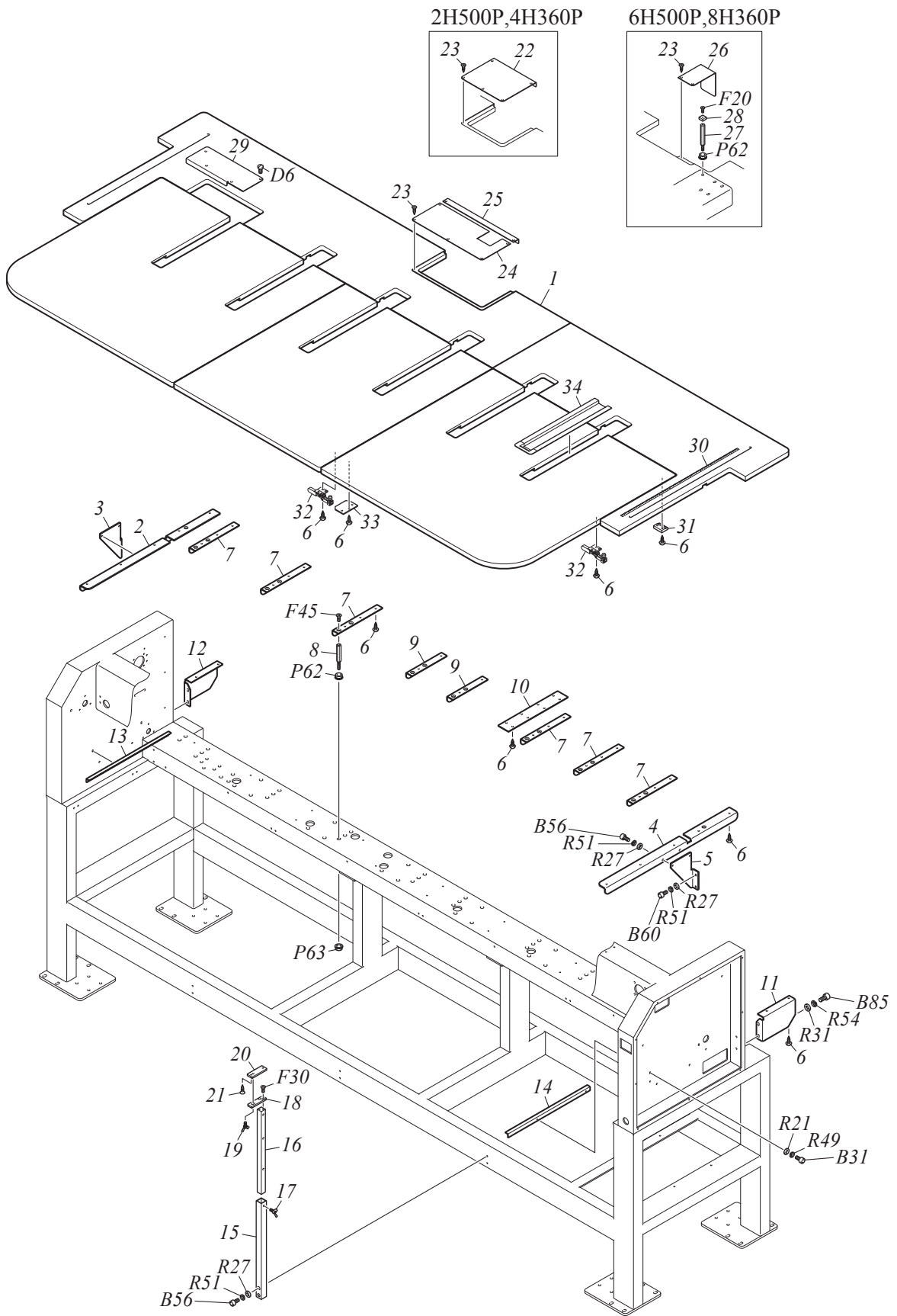
# FRAMING

MJ-1

No.	Part Name	Part No.	Remark
1	STAND[A]	MQ4@@@@@A10	
2	COVER :RIGHT-SIDE BOX	030430760000	
3	COVER :LEFT-SIDE BOX	030430770000	
4	LID :HANDLE	030490050000	
5	CASTER :J38NZB050S	614300250000	
6	LEVELING BLOCK	030530080000	
7	LEVELING BOLT :M12*90	030530070000	
8	VIBRATION-PREVENTIVE BASE[S]	03052014@S00	
9	SPACER :NO.2 :T2.3	510200590000	
10	CASTER :65P*50MM WIDE	614300230000	
11	FRAME :STAND	11045026C010	4H500P, 6H, 8H
12	COVER :STAND BASE	030440610010	
13	LEVELING BOLT :M12*50	030530040000	
14	VIBRATION-PREVENTIVE BASE[S]	03052013@S00	4H500P, 6H360P
14	VIBRATION-PREVENTIVE BASE[S]	03052009@S00	6H500P, 8H
15	CENTER SUPPORT :NO.1[A]	03051029@A10	6H500P, 8H
16	VIBRATION-PREVENTIVE BASE[S]	03052004@S00	
17	TAJIMA BRAND NAME PLATE	030710120000	
18	MAIN NAME PLATE :TFMX-2C	14Q40@@@0040	
19	WIRING COVER	1B5@@@010010	
20	WIRING COVER :A	1B5@@@01A000	
21	WIRING COVER :B	1B5@@@01B010	
22	STUD :NO.1 :M8-75	505105200000	
23	STAND FRONT FACE COVER :L :360P	030410731010	360P
23	STAND FRONT FACE COVER :L :500P	030410741010	500P
24	STAND FRONT FACE COVER :R :360P	030410732010	360P
24	STAND FRONT FACE COVER :R :500P	030410742010	500P
25	STAND FRONT FACE COVER :360P	03041062@010	360P
25	STAND FRONT FACE COVER :500P	03041065@010	500P
26	TABLE HOLDER :STAND FRONT FACE COVER	15213001@000	
27	TABLE HOLDER :FRONT :C	15213002C000	2H, 4H360P, 6H500P, 8H
27	TABLE HOLDER :FRONT :D	15213002D000	4H500P, 6H360P
28	STOPPER :TABLE :FRONT	152130070060	
29	STOPPER :TABLE :REAR	152130060010	
30	GROMMET WITH FILM :26A	644500210000	
31	BUSHING :HARNESS	0J1501100020	
32	BUSHING :HARNESS :B :40MM DIA.	0J15011B0010	
33	LAMP :LED LIGHT :16W	0J7101800000	Option
34			
35			
36			
37			
38			
39			
40			
41			
42			
43			
44			
45			

Note: As for parts with mark @, please follow our instructions on Table of Contents in your parts order.

(ZJ05)



# TABLE

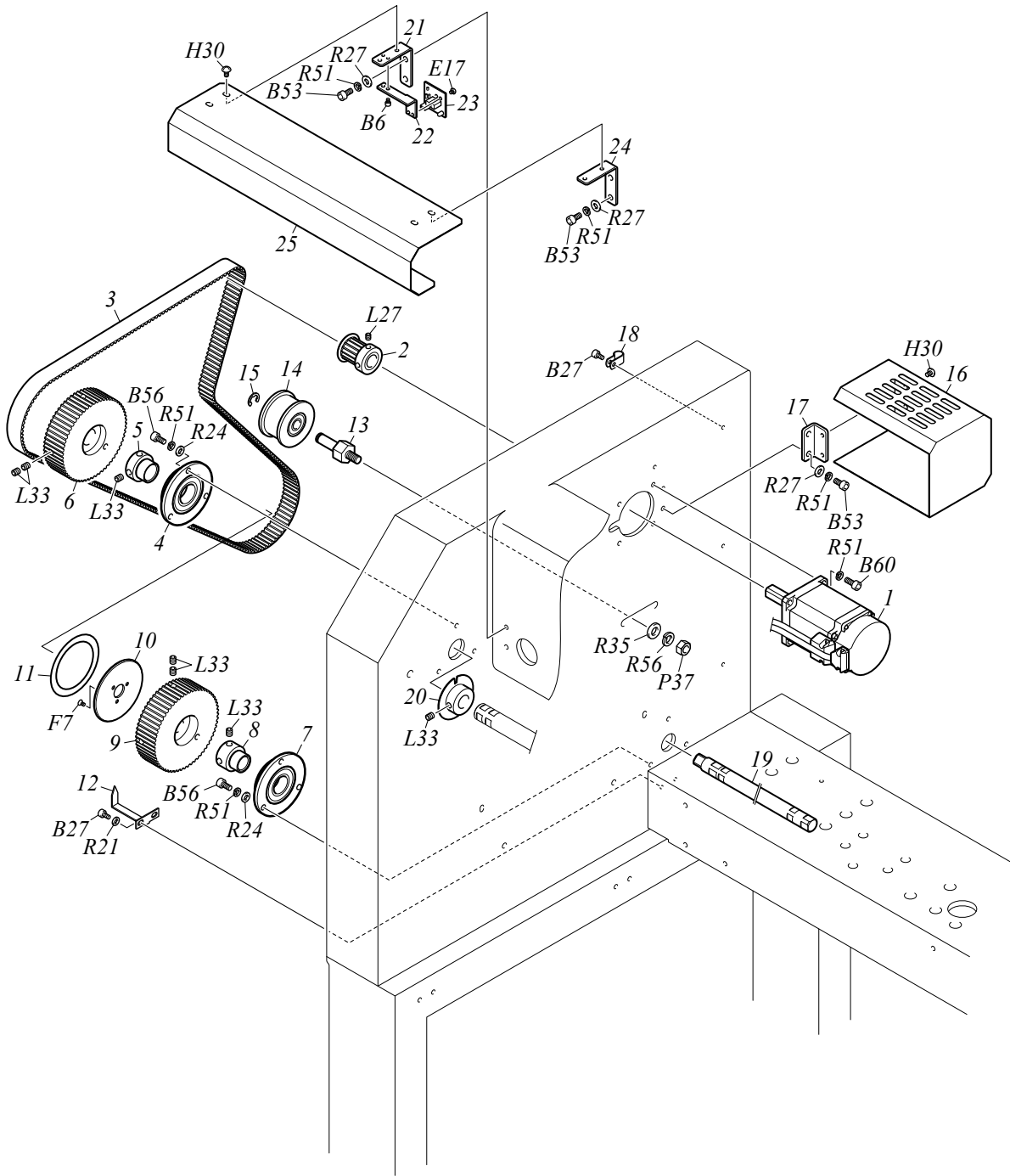
MJ-2

No.	Part Name	Part No.	Remark
1	TABLE	2Q4@@@40000	
2	TABLE SUPPORT :NO.12 :L	15121002L050	
3	BRACKET :TABLE SUPPORT :L	15121007L000	
4	TABLE SUPPORT :NO.12 :R	15121002R050	
5	BRACKET :TABLE SUPPORT :R	15121007R000	
6	TRUSS HEAD TAPPING SCREW :4P*18	S530041801SD	
7	TABLE SUPPORT :NO.12	15121004L050	
8	STUD :NO.1 :M8*35	505108160000	
9	TABLE SUPPORT :NO.12	151210060050	
10	JOINT :TABLE	152140100020	
11	TABLE SUPPORT :NO.12 :L	15121005L050	
12	TABLE SUPPORT :NO.12 :R	15121005R050	
13	TABLE HOLDER :L	15213013L000	
14	TABLE HOLDER :R	15213013R000	
15	HOLDER :TABLE STAY	030540010000	
16	STAY :TABLE[S]	030540020S10	
17	WING BOLT :M6*L20	S180062001SD	
18	BRACKET :TABLE STAY	030390170010	
19	WING BOLT :TYPE 2 :H :M6*10	S180061001SD	
20	BASE :TABLE STAY	030390160010	
21	COUNTERSUNK TAPPING SCREW :3.5P*20	S550532001SD	
22	COVER :Y MOTOR :A	13425006A000	
22	COVER :Y MOTOR :A/GES	0L2230420000	2H GES Spec.
23	COUNTERSUNK TAPPING SCREW :3P*12	S550031202SD	
24	COVER :Y MOTOR :B	13425006B000	
25	COVER :Y MOTOR :C	13425006C000	
26	COVER :Y MOTOR	134250050000	
27	STUD :NO.1 :M8-82	505108020000	
28	FELT :LID HOLDER	030790040000	
29	TABLE COVER :ATH BOX	134290070000	
30	TRAVERSE SCALE	0P1200020000	
31	STOPPER :TABLE	030620030020	
32	TOGGLE CLAMP :GY1001	615500030001	
33	TABLE ALIGNING PLATE	152130050000	Excluding 2 Head M/C
34	CUT SECTION COVER :CYLINDER :STANDARD[S]	134290200S00	
35			
36			
37			
38			
39			
40			
41			
42			
43			
44			
45			
46			
47			
48			
49			

Note: As for parts with mark @, please follow our instructions on Table of Contents in your parts order.

(YK04)

MAIN SHAFT DRIVE SYSTEM





# MAIN SHAFT DRIVE SYSTEM

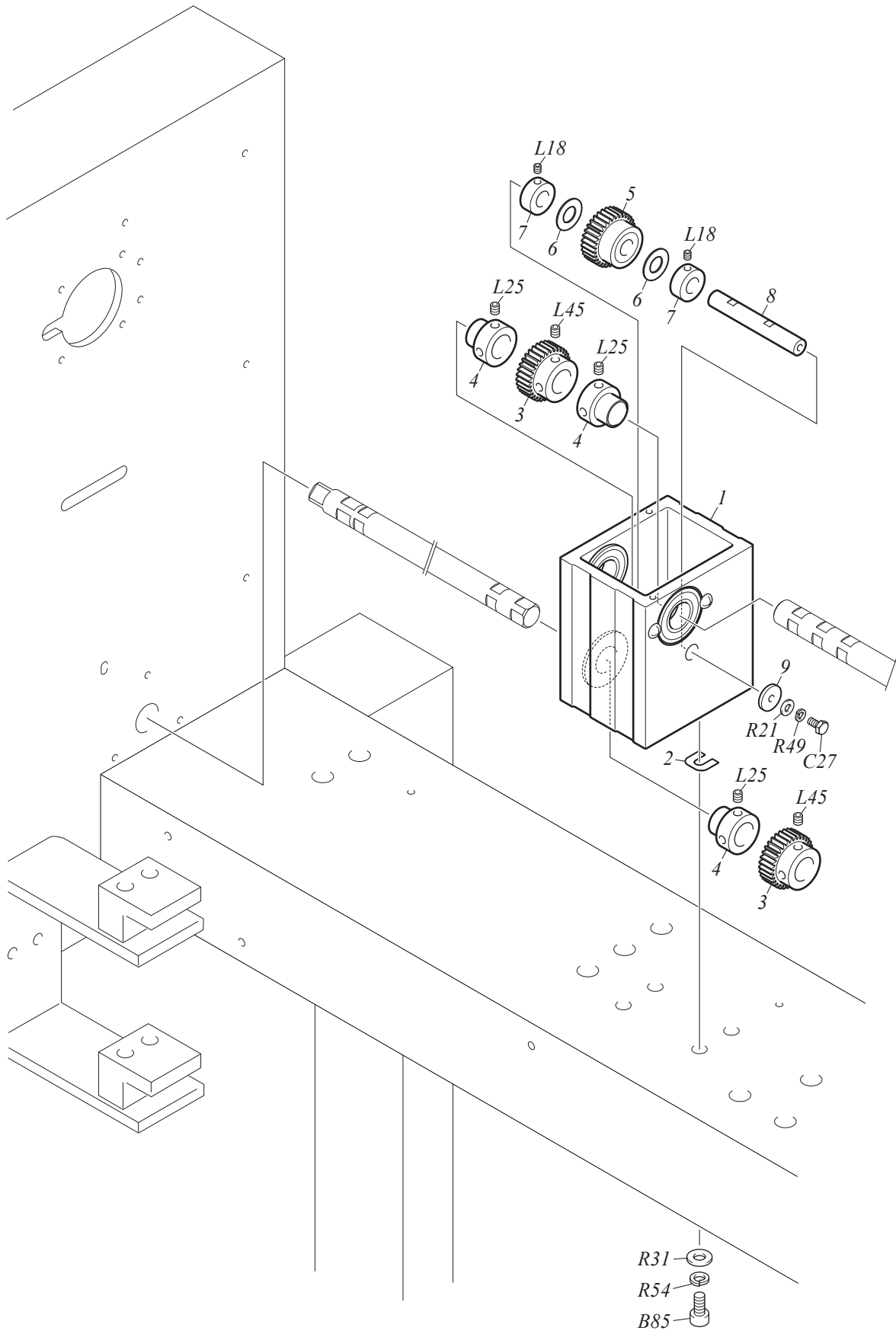
MJ-3

No.	Part Name	Part No.	Remark
1	SERVO MOTOR :200W	0J6300800000	2H
1	SERVO MOTOR :400W	0J6300900000	
2	TIMING PULLEY :MAIN SHAFT :W15-16[S]	501430150S00	2H
2	TIMING PULLEY :W20-16	501440030000	
3	TIMING BELT :SPTG :W15-S5M1195/G	623200230000	2H
3	TIMING BELT :SPTG :W20-S5M1270/G	623300210000	4H, 6H360P
3	TIMING BELT :SPTG :W20-S5M1350/G	623300190000	6H500P, 8H
4	BEARING CASE :NO.2 :22MM DIA.[S]	508222020S00	
5	BEARING COLLAR :18MM DIA.	502718010010	
6	TIMING PULLEY :A :W15-40	50143303A000	2H
6	TIMING PULLEY :A :W20-60	50144601A000	
7	BEARING CASE :NO.2 :20MM DIA.[S]	508220060S00	
8	BEARING COLLAR :15MM DIA.	502715040010	
9	TIMING PULLEY :B :W15-40	50143303B000	2H
9	TIMING PULLEY :B :W20-60	50144601B000	
10	BASE :ANGLE INDICATOR	040420210010	2H
11	ANGLE INDICATOR	040420230010	
12	POINTER	040410070010	2H
12	POINTER	040410100010	
13	SCREW WITH ROLLER PIN :NO.3 :M8	514308050000	2H
13	SCREW WITH ROLLER PIN :NO.3 :M8	514308080000	
14	FLAT PULLEY :40MM DIA.[S]	501901010S30	2H
14	FLAT PULLEY :45MM DIA.[S]	501902020S00	
15	E-RING :7MM DIA.	611100100000	
16	COVER :MAIN MOTOR	03015017@000	
17	BRACKET :COVER	030460050010	
18	CLAMP :5N	644500050000	
19	BASE SHAFT :ROTARY HOOK :15P*343	040130080010	360P
19	BASE SHAFT :ROTARY HOOK :15P*480	040130090000	500P
20	ROTATING DETECTING PLATE[S]	040360050S10	
21	BASE :SENSOR :WITH SPACER	040360030010	
22	BRACKET :SENSOR	040360020010	
23	CARD :PHOTO-INTERRUPTER	0J4204500000	
24	BRACKET :SHAFT COVER :B	030460130010	
25	SHAFT COVER :360-500P	17016008@000	
26			
27			
28			
29			
30			
31			
32			
33			
34			
35			
36			
37			
38			
39			
40			

Note: As for parts with mark @, please follow our instructions on Table of Contents in your parts order.

(ZJ06)

GEAR BOX



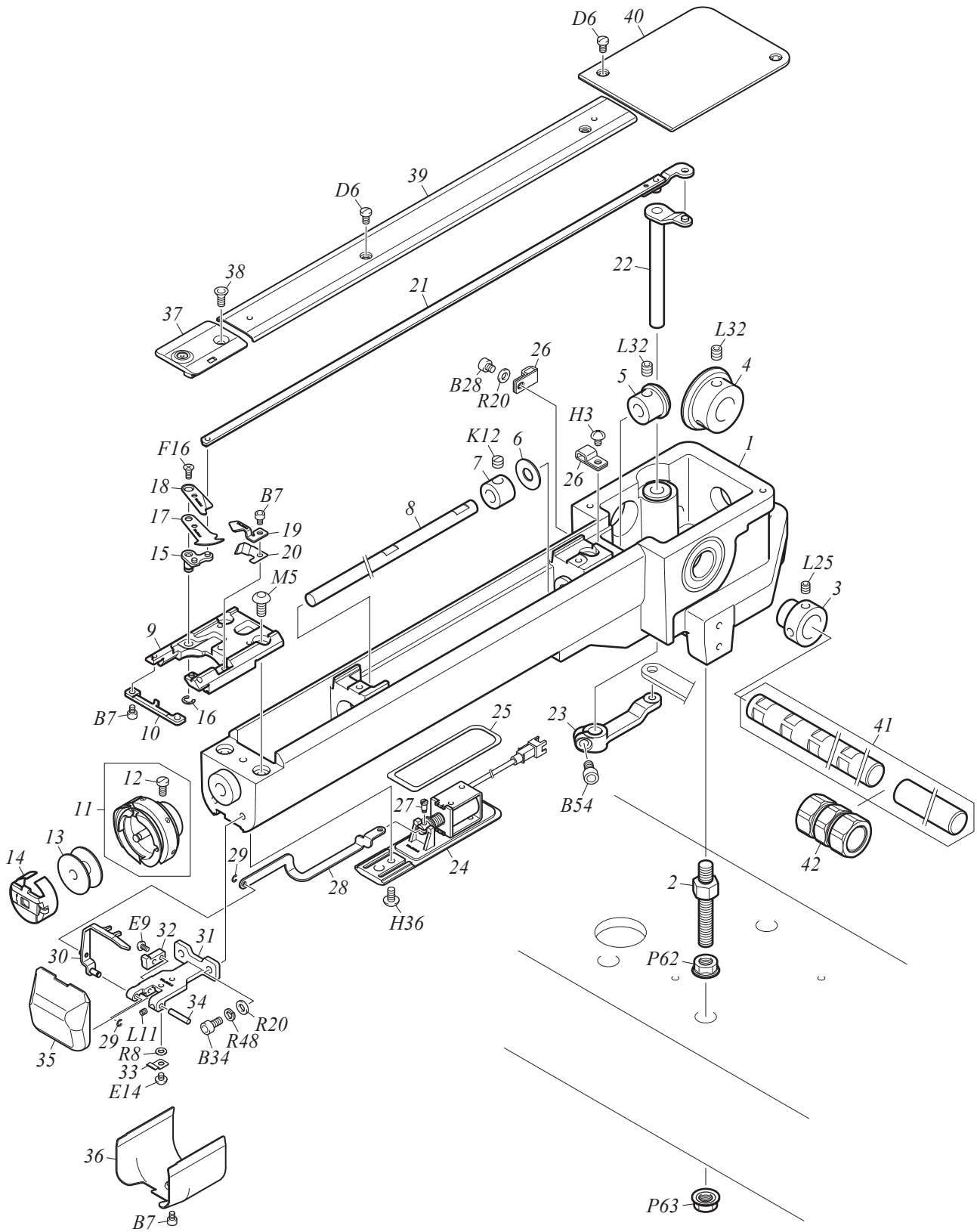
# GEAR BOX

MJ-4

No.	Part Name	Part No.	Remark
1	GEAR BOX :REGULAR ROTARY HOOK[S]	040130100S20	
1	GEAR BOX :JUMBO ROTARY HOOK[S]	04013010JS20	
2	SPACER :NO.3 :T0.1-1	51030006@000	
3	SPUR GEAR :32T	506132030000	
4	BEARING COLLAR :15MM DIA.	502715080000	
5	SPUR GEAR :32T[S]	506132020S00	
6	PLASTIC WASHER :10.2*15*T0.5	519212030000	
7	STOPPER COLLAR :10MM DIA.	502110070000	
8	BASE SHAFT :ROTARY HOOK	040130020010	
9	PLAIN WASHER :4*15*T2.0	S301041501SD	
10			
11			
12			
13			
14			
15			
16			
17			
18			
19			
20			
21			
22			
23			
24			
25			
26			
27			
28			
29			
30			
31			
32			
33			
34			
35			
36			
37			
38			
39			
40			
41			
42			
43			
44			
45			
46			
47			
48			
49			

Note: As for parts with mark @, please follow our instructions on Table of Contents in your parts order.

(XL03)



# CYLINDER BED

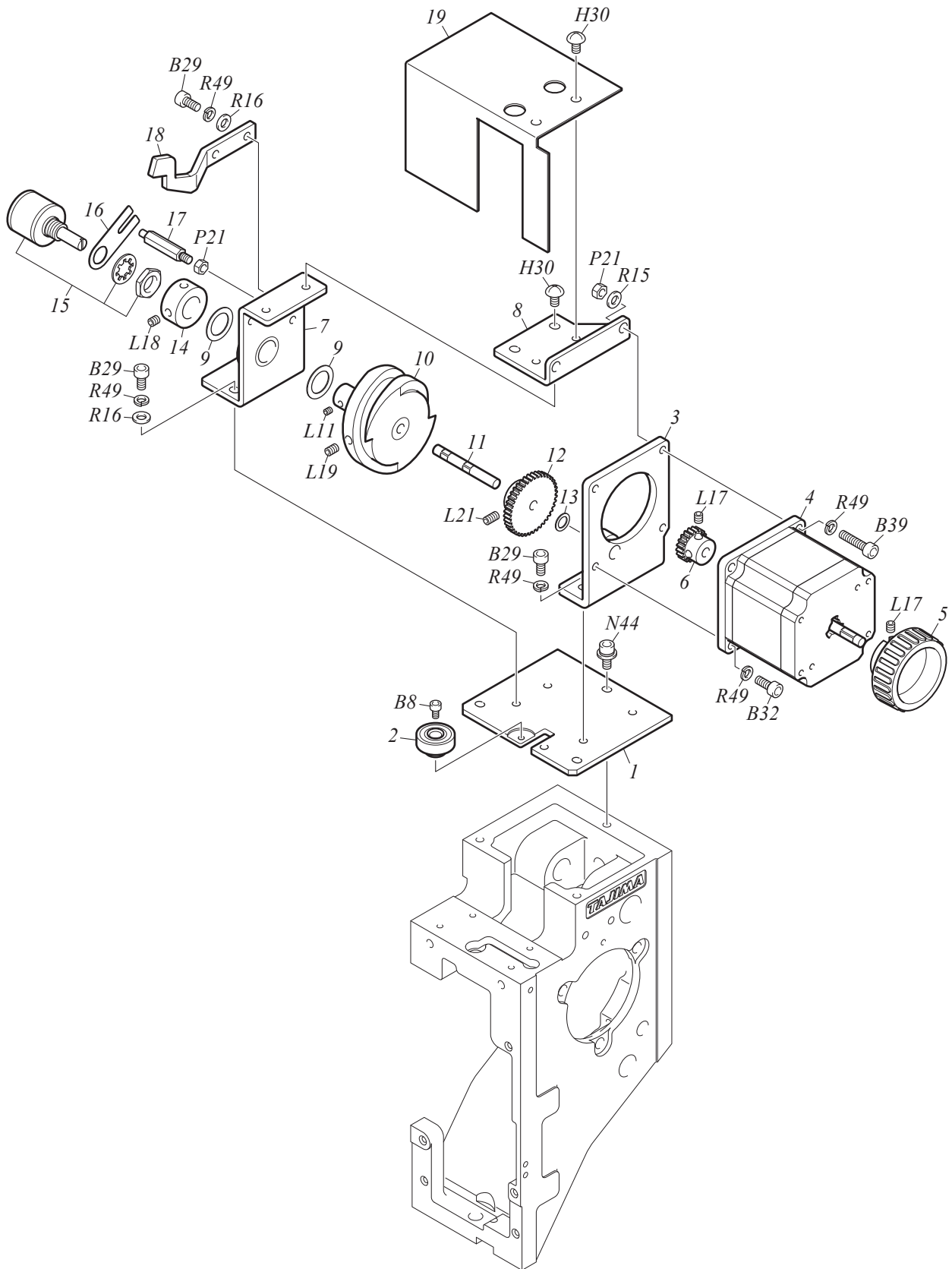
MJ-5

No.	Part Name	Part No.	Remark
1	CYLINDER BED[S]	050120090S10	
2	ROTARY HOOK BASE STUD	050310110000	
3	BEARING COLLAR :15MM DIA.	502715080000	
4	SPIRAL BEVEL GEAR :NO.1 :28T	506528030000	
5	SPIRAL BEVEL GEAR :NO.1 :14T	506514030000	
6	PLAIN WASHER :7.94*19*T0.8	519108030000	
7	STOPPER COLLAR :7.94MM DIA.	502107020000	
8	SHAFT :ROTARY HOOK :7.94MM DIA.	050330430000	
9	NEEDLE PLATE BRACKET[S]	050330640S10	
10	ROTARY HOOK SUPPORT	050330660000	
11	ROTARY HOOK :KHS12-RYPTFS2	050230080020	
12	ROTARY HOOK SET SCREW :11/64*7.2	050290020000	
13	BOBBIN :REGULAR ROTARY HOOK	050260010020	
14	BOBBIN CASE :REGULAR ROTARY HOOK :STANDARD	050240150010	
15	LEVER SHAFT :KNIFE[S]	050321510S00	
16	E-RING :4MM DIA.	611100070000	
17	THREAD SEPARATING PLATE :DIRECT MOVEMENT 2-BLADE TYPE	050320930010	
18	MOVABLE KNIFE :DIRECT MOVEMENT 2-BLADE TYPE	050320920010	
19	FIXED KNIFE :DIRECT MOVEMENT 2-BLADE TYPE	050321520000	
20	UNDER THREAD PRESSER	050321530000	
21	CONNECTING PLATE :KNIFE[S]	050321540S00	
22	LEVER SHAFT :KNIFE CONNECTING PLATE[S]	050320850S20	
23	LEVER :KNIFE CONNECTING PLATE SHAFT	050321000000	
24	BASE :SOLENOID[A]	050321450A00	
25	RUBBER PACKING	050321560000	
26	CORD CLAMP	644100040000	
27	STEPPED SCREW :NO.1 :M2.5*6	512130010010	
28	CONNECTING PLATE :PICKER	050321480000	
29	E-RING :2MM DIA.	611100050000	
30	PICKER[S]	050321470S40	
31	HOLDER :PICKER	050321490000	
32	STOPPER :PICKER	050320700000	
33	PLATE SPRING :ROTARY HOOK COVER :T0.3	507802060000	
34	STRAIGHT PIN :NO.1 :3MM DIA.	503101100000	
35	ROTARY HOOK COVER[S]	050330680S00	
36	COVER :NEEDLE PLATE BRACKET	050330670000	
37	NEEDLE PLATE	05034055@010	
38	HEXAGON SOCKET HEAD COUNTERSUNK SCREW :M4*10	S125041001MZ	
39	COVER :CYLINDER BED :FRONT	050330690000	
40	COVER :CYLINDER BED	050330350010	
41	R. H. BASE CONNECTING SHAFT :15MM DIA.	QQ4@020@0000	
42	N-COUPLING :N-15-15	504715010000	
43			
44			
45			
46			
47			
48			
49			
50			

Note: As for parts with mark @, please follow our instructions on Table of Contents in your parts order.

(XL10)

COLOR CHANGE SYSTEM A



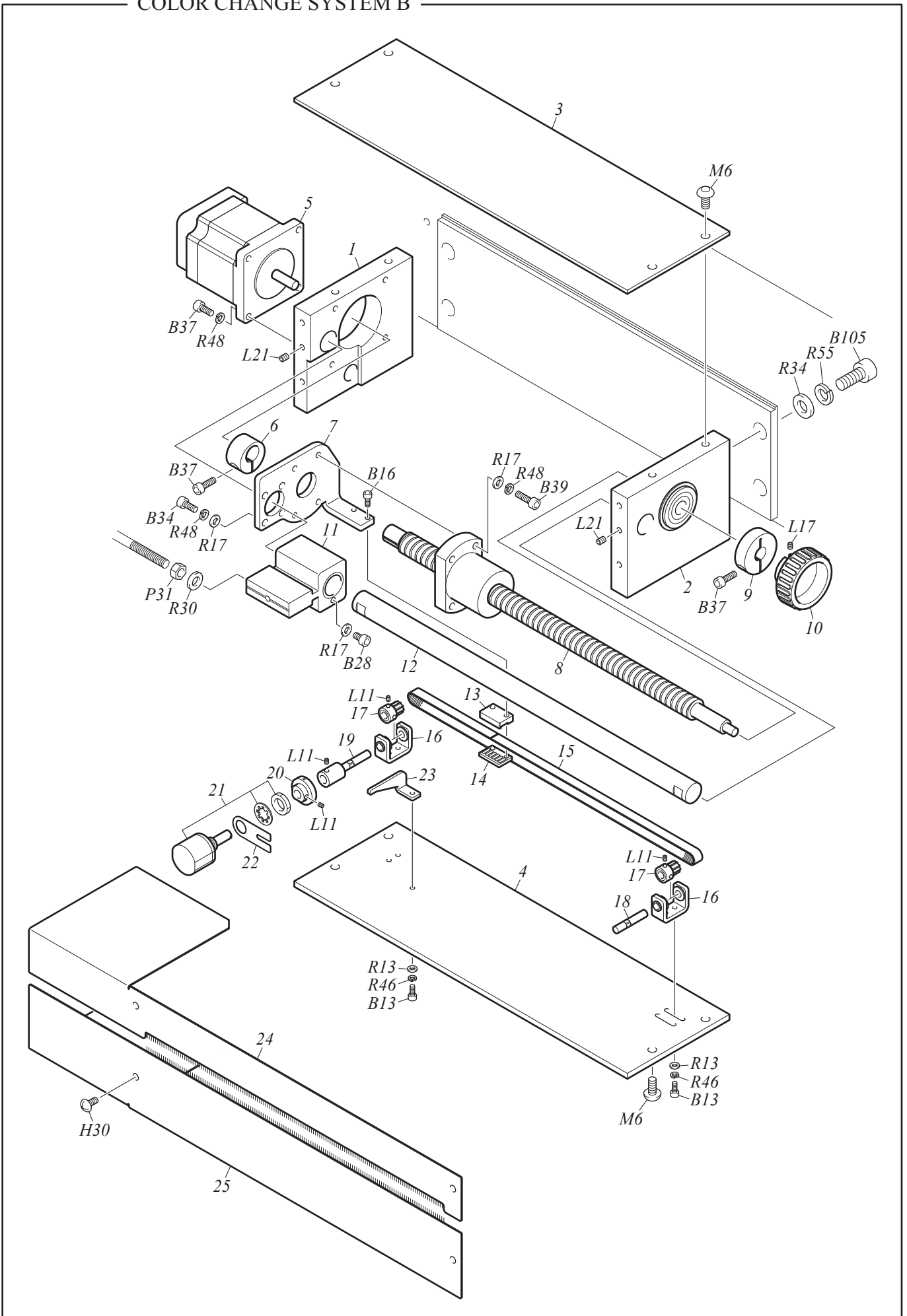
# COLOR CHANGE SYSTEM A

MJ-6a

No.	Part Name	Part No.	Remark
1	BASE :CHANGE	070120420010	
2	ROLLER PIN[S]	080290040S10	
3	BASE :CHANGE MOTOR[S]	070120440S20	
4	PULSE MOTOR :56MM SQUARE :DOUBLE-END	0J6110600000	
5	KNOB :B	08052001B010	
6	SPUR GEAR :20T	506120040020	
7	BEARING CASE :CHANGE[S]	070120450S30	
8	REINFORCING PLATE :CHANGE MOTOR BASE	070120480010	
9	RULON WASHER :TW-1225	638400080000	
10	CAM :CHANGE	070110090000	
11	SHAFT :CHANGE CAM	070120130000	
12	SPUR GEAR :40T	506140060020	
13	RULON WASHER :TW-0613	638400070000	
14	STOPPER COLLAR :12MM DIA.	502112050000	
15	POTENTIOMETER	640900010001	
16	BRACKET :POTENTIOMETER	0C0420020010	
17	STUD :NO.4 :M4-27.5	505404030020	
18	SENSOR ARM	0C0230210000	
19	COVER :CHANGE	070120430010	
20			
21			
22			
23			
24			
25			
26			
27			
28			
29			
30			
31			
32			
33			
34			
35			
36			
37			
38			
39			
40			
41			
42			
43			
44			
45			
46			
47			
48			
49			
50			

Note: As for parts with mark @, please follow our instructions on Table of Contents in your parts order.

(YK11)





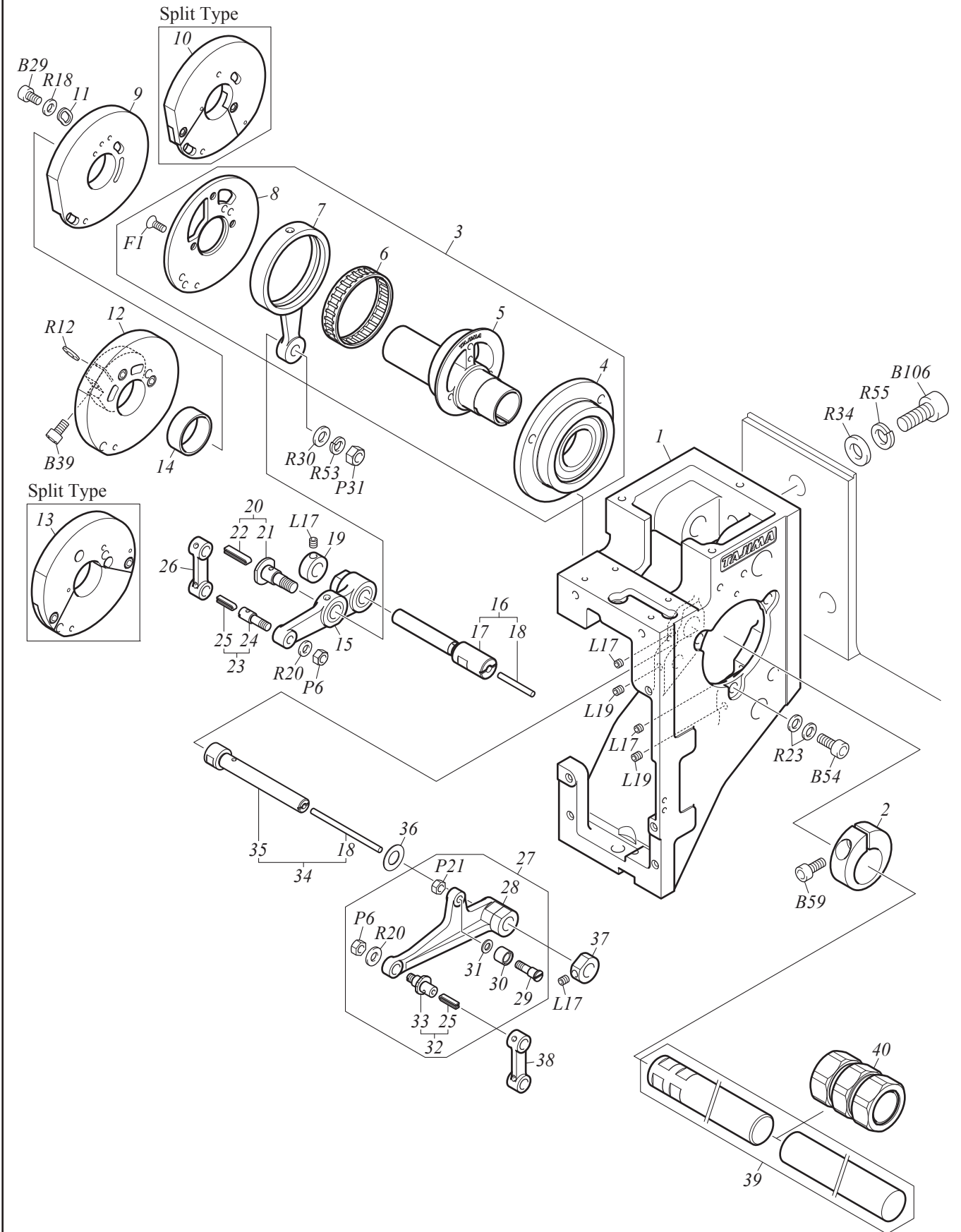
# COLOR CHANGE SYSTEM B

MJ-6b

No.	Part Name	Part No.	Remark
1	SIDE BASE :CHANGE :L	07041001@000	
2	SIDE BASE :CHANGE :R[S]	07041002@S00	
3	JOINT PLATE :CHANGE :UPPER	07041003@000	
4	JOINT PLATE :CHANGE :LOWER	07041004@000	
5	PULSE MOTOR :56MM SQUARE :WITH SENSOR[A]	0J6108302A00	
6	TIGHTENING COLLAR :12MM DIA.	502212020000	
7	BASE :BALL SCREW	070420020000	
8	BALL SCREW :CHANGE	07032012@000	
9	TIGHTENING COLLAR :10MM DIA.	502210040000	
10	KNOB :C	08052001C010	
11	DRIVE BLOCK[S]	070420110S10	
12	GUIDE SHAFT :06/12/15-NEEDLE	07042001@000	
13	BELT PRESSER PLATE :S3M-W6MM	070420040000	
14	BELT CATCHER :S3M	0L0350310000	
15	TIMING BELT :SPTG :W6	6211900@0000	
16	BEARING CASE :TIMING PULLEY :B[S]	070320020S00	
17	TIMING PULLEY :W6-10	501221010000	
18	STRAIGHT PIN :NO.2	503102190010	
19	STEPPED PIN :NO.2	503202050010	
20	KNOB :CLUTCH LEVER	080310170000	
21	POTENTIOMETER	640900010001	
22	BRACKET :POTENTIOMETER	0C0420020010	
23	GUIDE PLATE :POTENTIOMETER	070420050000	
24	COVER :CHANGE :UPPER[S]	07043001@S00	
25	COVER :CHANGE :LOWER[S]	07043002@S00	
26			
27			
28			
29			
30			
31			
32			
33			
34			
35			
36			
37			
38			
39			
40			
41			
42			
43			
44			
45			
46			
47			
48			
49			
50			

Note: As for parts with mark @, please follow our instructions on Table of Contents in your parts order.

(XL03)



# ARM 1

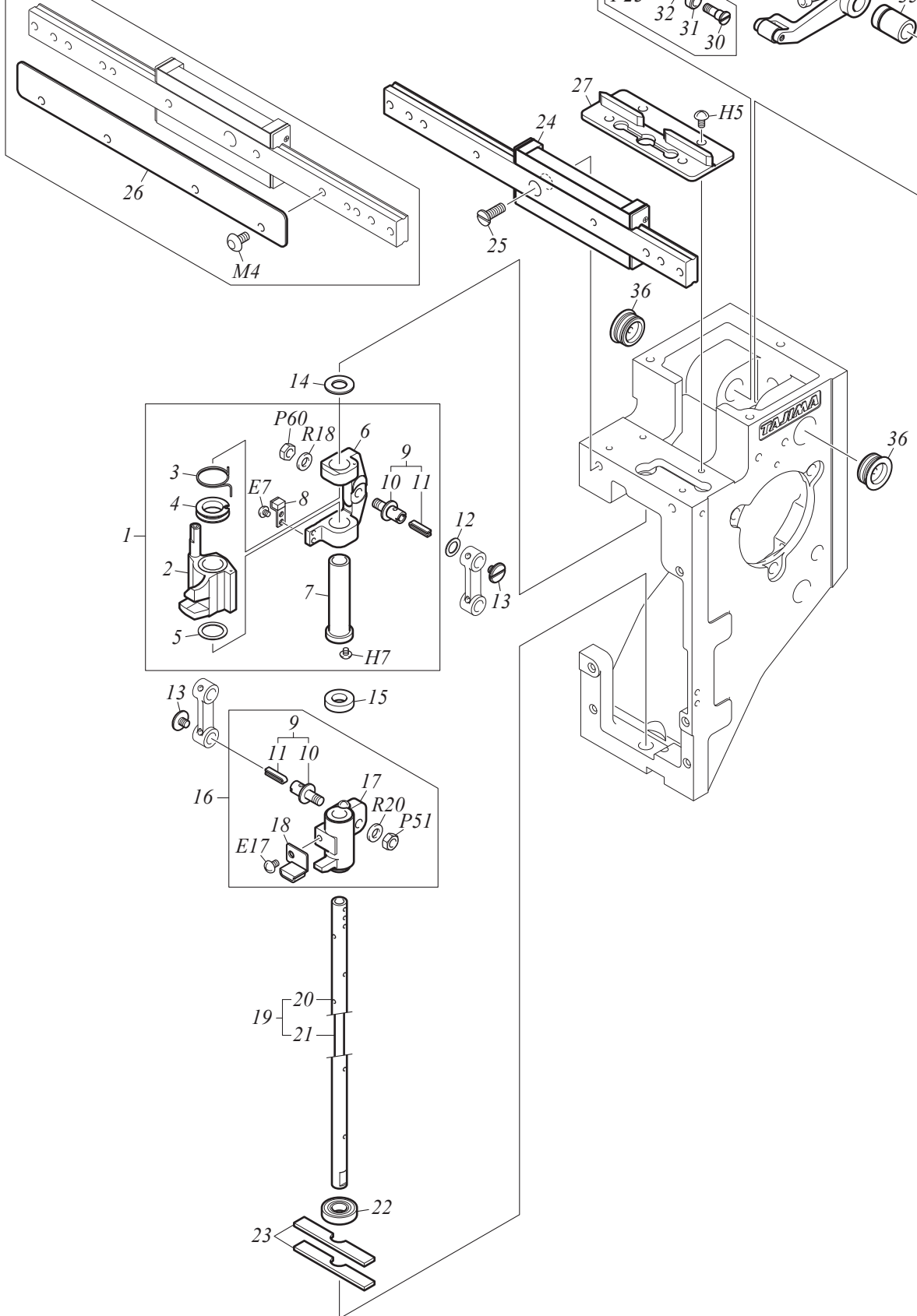
MJ-7-1

No.	Part Name	Part No.	Remark
1	HEAD :STANDARD	080120070010	
2	TIGHTENING COLLAR :21MM DIA.	502221010010	
3	CAM :NEEDLE BAR[A]	080220010A00	
4	BEARING CASE :NO.2 :22MM DIA.[S]	508222010S00	
5	CAM :NEEDLE BAR	080220010000	
6	NEEDLE CAGE :KT404310NE01B2	634400070001	
7	CONNECTING ROD :51.7	080220040000	
8	BASE :TAKE-UP LEVER CAM	080220400000	
9	CAM :TAKE-UP LEVER :REGULAR ROTARY HOOK	080220060010	
9	CAM :TAKE-UP LEVER :JUMBO ROTARY HOOK	080220070010	
10	CAM :SPLIT TYPE :TAKE-UP LEVER FOR 47 :REGULAR ROTARY HOOK[A]	9A0802700A00	
10	CAM :SPLIT TYPE :TAKE-UP LEVER FOR 47 :JUMBO ROTARY HOOK[A]	9A08027J0A00	
11	WASHER :CAM	080220180000	
12	CAM :PRESSER FOOT[A]	080220021A20	
13	CAM :PRESSER FOOT :SPLIT TYPE	9A0802400010	
14	COLLAR :NO.1 :21MM DIA.	502521010000	
15	LEVER :NEEDLE BAR[S]	080230050S10	
16	STEPPED PIN :NO.4[S]	503204070S10	
17	STEPPED PIN :NO.4	503204070010	
18	WICK :3P*61	080240230000	
19	STOPPER COLLAR :8MM DIA.	502108020010	
20	STEPPED SCREW :NO.2 :M6*13[S]	512206010S10	
21	STEPPED SCREW :NO.2 :M6*13	512206010010	
22	WICK :3.5*1*34	080240140000	
23	SCREW WITH PIN :NO.3 :11/64-7.7[A]	513354020A10	
24	SCREW WITH PIN :NO.3 :11/64-7.7	513354020010	
25	WICK :2.5*1*22	080240120010	
26	CONNECTING ROD	080230210000	
27	LEVER :DRIVE :PRESSER FOOT :45	U8K000000100	
28	LEVER :PRESSER FOOT[S]	080230140S50	
29	STEPPED SCREW :NO.1 :M4*5.3	512104160020	
30	ROLLER :5*8*5	515105020010	
31	PLAIN WASHER :4*7.5*T0.8	519104060000	
32	SCREW WITH ROLLER PIN :NO.4 :11/64E[S]	514454020S00	
33	SCREW WITH ROLLER PIN :NO.4 :11/64E	514454020000	
34	STEPPED PIN :NO.4[S]	503204030S00	
35	STEPPED PIN :NO.4	503204030020	
36	PLAIN WASHER :8*15*T0.5	519108050000	
37	STOPPER COLLAR :8MM DIA.	502108050010	
38	CONNECTING ROD :26	080230400000	
39	MAIN SHAFT :18MM DIA.	QQ4@010@0000	
40	N-COUPLING :N-18-18	504718010000	
41			
42			
43			
44			
45			
46			
47			
48			

Note: As for parts with mark @, please follow our instructions on Table of Contents in your parts order.

(YK11)

12, 15-Needle



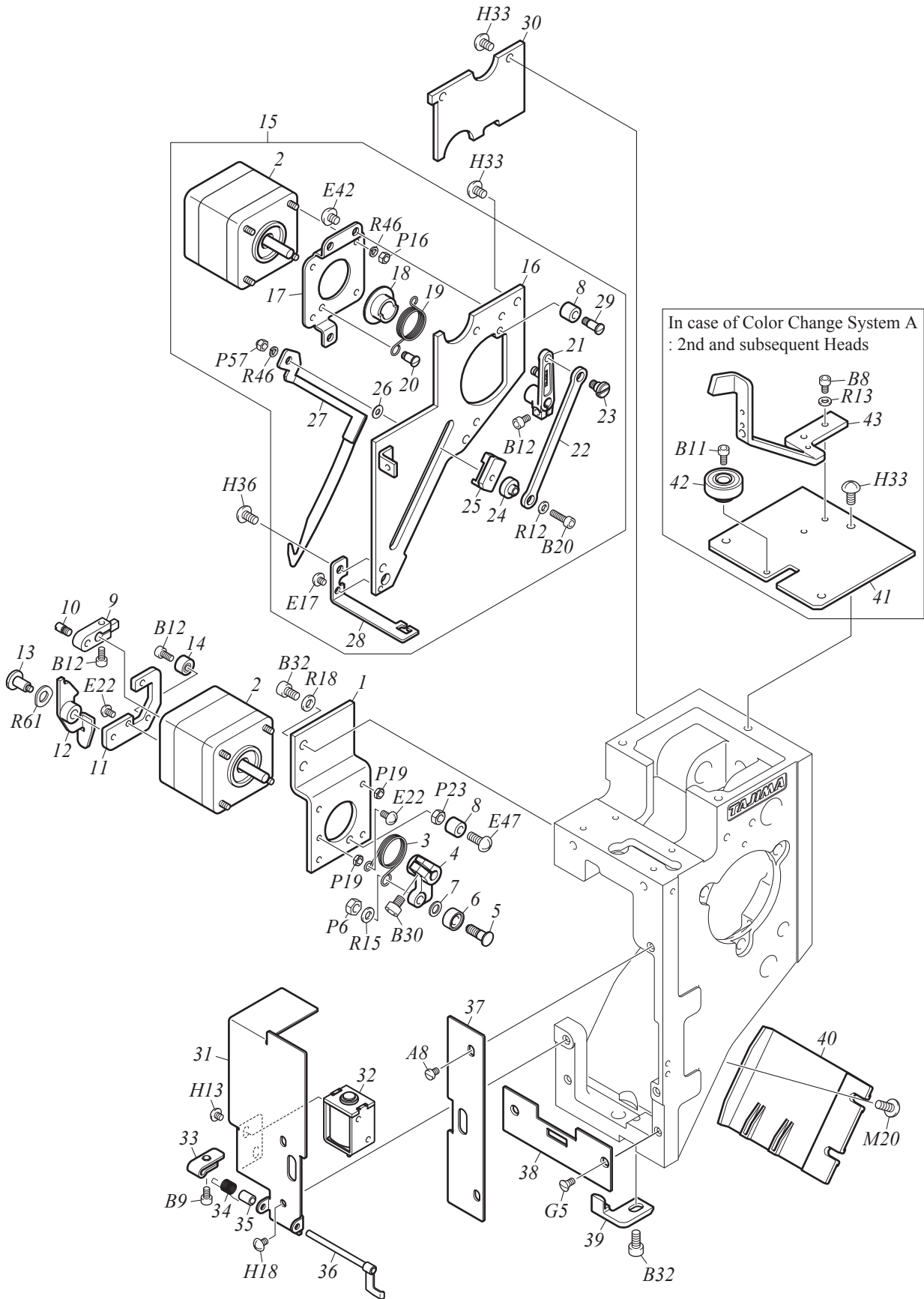
# ARM 2

MJ-7-2

No.	Part Name	Part No.	Remark
1	NEEDLE BAR RECIPROCATOR :GN[A]	080210360A80	
2	NEEDLE BAR RECIPROCATOR[S]	080210270S40	
3	TORSION SPRING :0.7MM DIA.	507307010010	
4	HOLDER :JUMP SPRING	080210110010	
5	PLAIN WASHER :10.3*14*T0.5	519112010000	
6	RECIPROCATING SLIDE BLOCK	080210410050	
7	PLASTIC BUSHING :NO.2 :7.24MM DIA.	509472050020	
8	DAMPER BRACKET :NEEDLE BAR RECIPROCATOR	080210090000	
9	SCREW WITH PIN :NO.3 :11/64-7.9[A]	513354060A20	
10	SCREW WITH PIN :NO.3 :11/64-7.9	513354060020	
11	WICK :2.5*1*22	080240120010	
12	PLAIN WASHER :6*9.5*T0.05-0.5	51910604@020	
13	FLAT FILLISTER HEAD SCREW :9/64*4	511153010010	
14	FELT :14MM DIA.	080240060000	t1
15	FELT :14MM DIA.	080240220000	t3
16	PRESSER FOOT RECIPROCATOR :47MM ST[A]	080210420A20	
17	PRESSER FOOT RECIPROCATOR :47MM ST[S]	080210420S10	
18	DAMPER BRACKET :PRESSER FOOT RECIPROCATOR[S]	080210180S20	
19	NEEDLE BAR DRIVE SHAFT :AUTOMATIC LUBRICATION[S]	0L0210030S10	
20	NEEDLE BAR DRIVE SHAFT :AUTOMATIC LUBRICATION	0L0210030000	
21	WICK :3.5P*158	080240020020	
22	GUIDE :NEEDLE BAR CASE[S]	080250170S20	
23	FELT :NEEDLE BAR DRIVE SHAFT :D	080240170000	
24	LINEAR WAY :NEEDLE BAR CASE	08025004@000	
25	COUNTERSUNK HEAD SCREW :11/64*40*13	511454010000	
26	REINFORCING PLATE	08025005@000	
27	TAKE-UP LEVER GUIDE	080280070010	
28	LEVER :TAKE-UP LEVER[S]	080230020S00	
29	LEVER :TAKE-UP LEVER	080230020000	
30	STEPPED SCREW :NO.1 :M4*12.2	512104180000	
31	ROLLER :4.7*7.94*4	515121050020	
32	PLAIN WASHER :4*7.5*T0.8	519104060000	
33	STRAIGHT PIN :NO.1 :8MM DIA.	503101130000	
34	ARM :TAKE-UP LEVER[S]	080230060S00	
35	BEARING BUSHING :NO.1 :8MM DIA.	509508080000	
36	LID :TAKE-UP LEVER SHAFT HOLDER :15.3MM DIA.	080290270000	
37			
38			
39			
40			
41			
42			
43			
44			
45			
46			
47			
48			
49			
50			

Note: As for parts with mark @, please follow our instructions on Table of Contents in your parts order.

(ZJ04)



# ARM 3

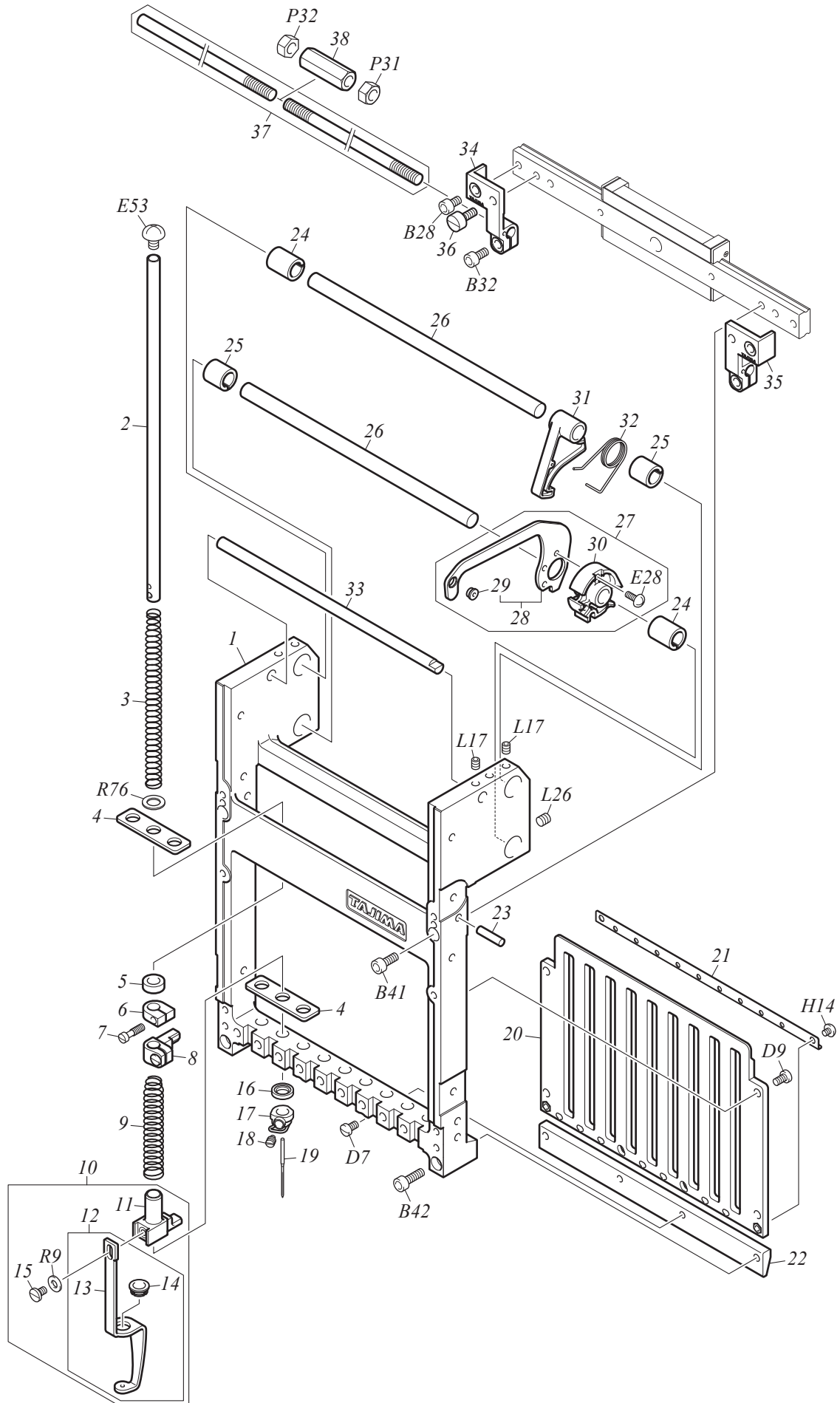
MJ-7-3

No.	Part Name	Part No.	Remark
1	BRACKET :JUMP MOTOR	080320490000	
2	PULSE MOTOR :42MM SQUARE :DOUBLE-END[T]	0J6110700T10	
3	TORSION SPRING :0.9MM DIA.	507309040020	
4	LEVER :JUMP	080320420010	
5	STEPPED SCREW :NO.1 :11/64*14.7	512154010020	
6	ROLLER :4.7MM DIA.	515110010010	
7	WASHER :4.8*8*T0.8	S301040801KC	
8	DAMPER RING :4MM DIA.	080320410000	
9	LEVER :SEQUIN	0L0431030010	
10	SCREW WITH PIN :NO.1 :9/64-4	513153060010	
11	BASE :CLUTCH LEVER	080320380000	
12	CLUTCH LEVER[S]	080320370S30	
13	STEPPED SCREW :NO.1 :M3*2.8	512203010010	
14	DAMPER RING :3MM DIA. E	050320470010	
15	UPPER THREAD HOLDER[A]	0B0110740A00	
16	SIDE COVER :HEAD :LOWER	080430220000	
17	BASE :HOOK MOTOR	0B0110420000	
18	COLLAR :SPRING GUIDE	502522010010	
19	TORSION SPRING :0.8MM DIA.	507308190010	
20	STEPPED SCREW :NO.1 :9/64*7.5	512153040000	
21	LEVER :HOOK	0B0110470000	
22	CONNECTING PLATE :HOOK	0B0110080010	
23	STEPPED SCREW :NO.1 :M4*6.7	512104100040	
24	SPACER :SLIDE HOOK	0B0110370010	
25	SLIDE :HOOK	0B0110510000	
26	WASHER :2.6*7*T0.5	519204010000	
27	HOOK[S]	0B0110650S10	
28	GUIDE :HOOK	0B0110520020	
29	STEPPED SCREW :NO.1 :9/64*10	512153020000	
30	SIDE COVER :HEAD :UPPER	080430010000	
31	HEAD FRONT COVER :L	08042002L020	
32	SOLENOID :OPEN FRAME	640600121001	
33	LEVER :SOLENOID	080270010010	
34	TORSION SPRING :0.5MM DIA.	507305020020	
35	COLLAR :NO.1 :3.1MM DIA.	502505010000	
36	LEVER :DRIVE[S]	080270040S20	
37	HEAD FRONT COVER :R	08042002R000	
38	GUIDE PLATE :NEEDLE BAR CASE	080250190020	
39	GUIDE BRACKET :NEEDLE BAR CASE	080250200000	
40	COVER :HOOK	0B0120050000	
41	BASE :BEARING	080290020010	
42	ROLLER PIN[S]	080290040S10	
43	SENSOR ARM	0C0230090010	
44			
45			
46			
47			
48			
49			
50			

Note: As for parts with mark @, please follow our instructions on Table of Contents in your parts order.

(XL03)

NEEDLE BAR CASE 1





# NEEDLE BAR CASE 1

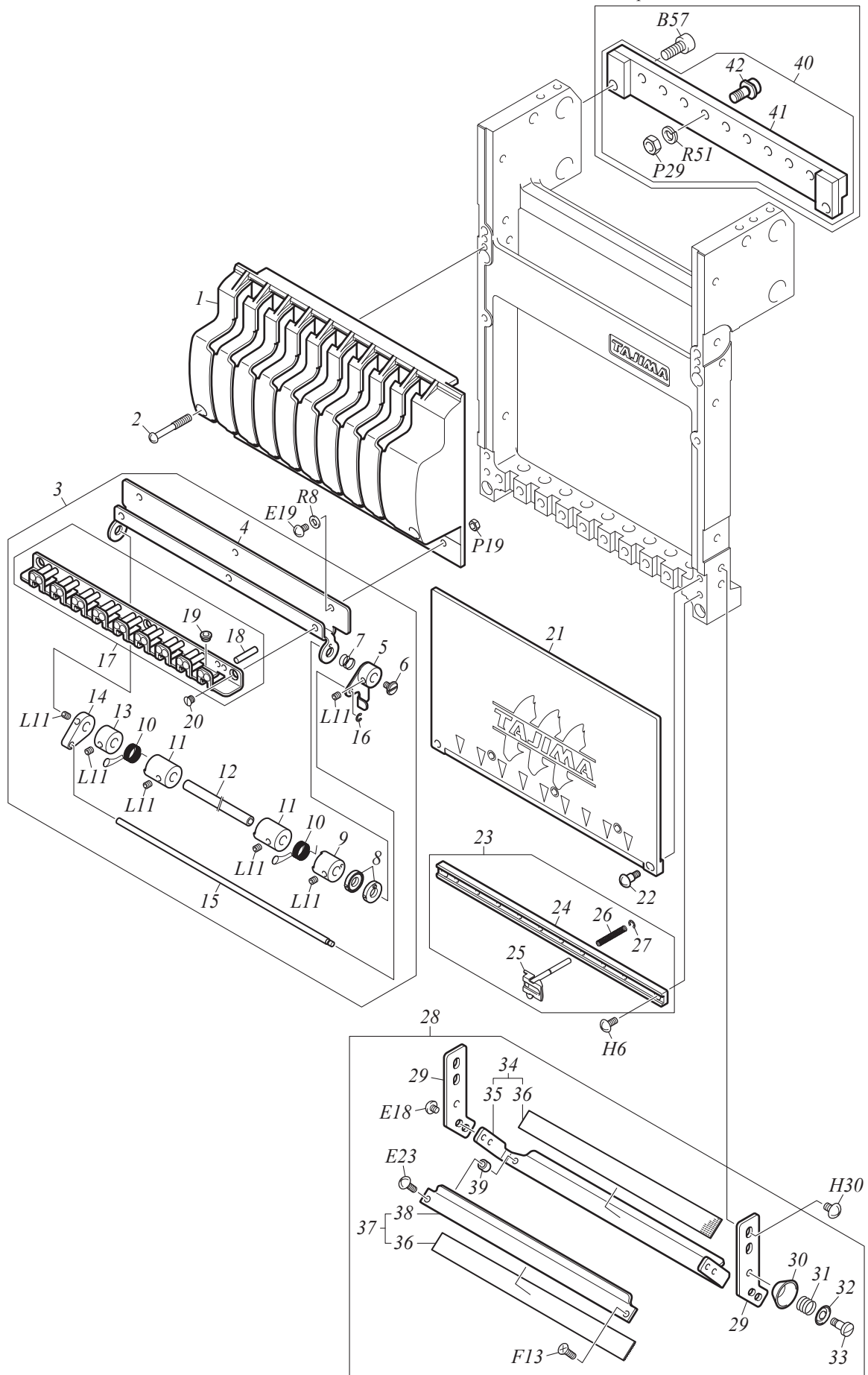
MJ-8-1

No.	Part Name	Part No.	Remark
1	NEEDLE BAR CASE	09012001@030	
2	NEEDLE BAR	090410020010	
3	COMPRESSION SPRING :0.5MM DIA.	507605030040	
4	FELT PACKING	090430040000	
5	DAMPER RING :F	090430020010	
6	STOPPER :UPPER DEAD POINT	090420090000	
7	FLAT FILLISTER HEAD SCREW :9/64*10.5	511153030000	
8	NEEDLE BAR CONNECTING STUD[A]	090420060A10	
9	COMPRESSION SPRING :0.9MM DIA.	507609060000	
10	PRESSER FOOT :A[A]	09046023AA00	2mm Dia.
10	PRESSER FOOT :A[A]	09046007AA00	3mm Dia. (Thick Thread)
11	PRESSER FOOT CONNECTING STUD	090420020020	
12	PRESSER FOOT[A]	090460230A00	2mm Dia.
12	PRESSER FOOT[A]	090460070A00	3mm Dia. (Thick Thread)
13	PRESSER FOOT	090460230000	2mm Dia.
13	PRESSER FOOT	090460070000	3mm Dia. (Thick Thread)
14	SPLIT COLLAR :PRESSER FOOT	090460040030	
15	FLAT FILLISTER HEAD SCREW :1/8*44	090470020010	
16	DAMPER RING :A	090430070040	
17	NEEDLE CLAMP[S]	090420010S70	
18	SLOTTED HEAD SET SCREW :11/64*6B	511754010010	
19	NEEDLE :DB-K5Z1 #11	616500080000	
20	NEEDLE BAR GUIDE	0904500@@010	
21	RAIL GUIDE	08027006@020	
22	RAIL :CASE :LOWER	09044005@000	
23	PARALLEL PIN :4*16-H7	611200050000	
24	SPLIT COLLAR :NO.1 :8MM DIA.	502308010010	
24	SPLIT COLLAR :NO.1 :8MM DIA.	502308020010	15-Needle
25	SPLIT COLLAR :NO.2 :8MM DIA.	502408020010	
25	SPLIT COLLAR :NO.2 :8MM DIA.	502408010020	15-Needle
26	GUIDE SHAFT :TAKE UP LEVER	09033001@000	
27	TAKE-UP LEVER[A]	09031005BA00	
28	TAKE-UP LEVER[S]	09031005BS00	
29	THREAD GUIDE COLLAR :2MM DIA.	51650302B000	
30	BOSS :TAKE-UP LEVER	090310040010	
31	LEVER :STOPPER	090320010000	
32	TORSION SPRING :1MM DIA.	507310040010	
33	SPRING HOOK BAR	09033002@000	
34	BRACKET :CHANGE ROD :L	08026001L000	
35	BRACKET :CHANGE ROD :R	08026001R000	
36	FLAT FILLISTER HEAD SCREW :M4*10	511104010010	
37	CHANGE ROD :6MM DIA.	QQ5@040@@000	Color change system is A spec.
37	CHANGE ROD :6MM DIA.	QQ4@040@@000	Color change system is B spec.
38	SCREW JOINT :M6	504506010010	
39			
40			
41			
42			
43			
44			

Note: As for parts with mark @, please follow our instructions on Table of Contents in your parts order.

(ZJ06)

First head when color change system is A spec.



# NEEDLE BAR CASE 2

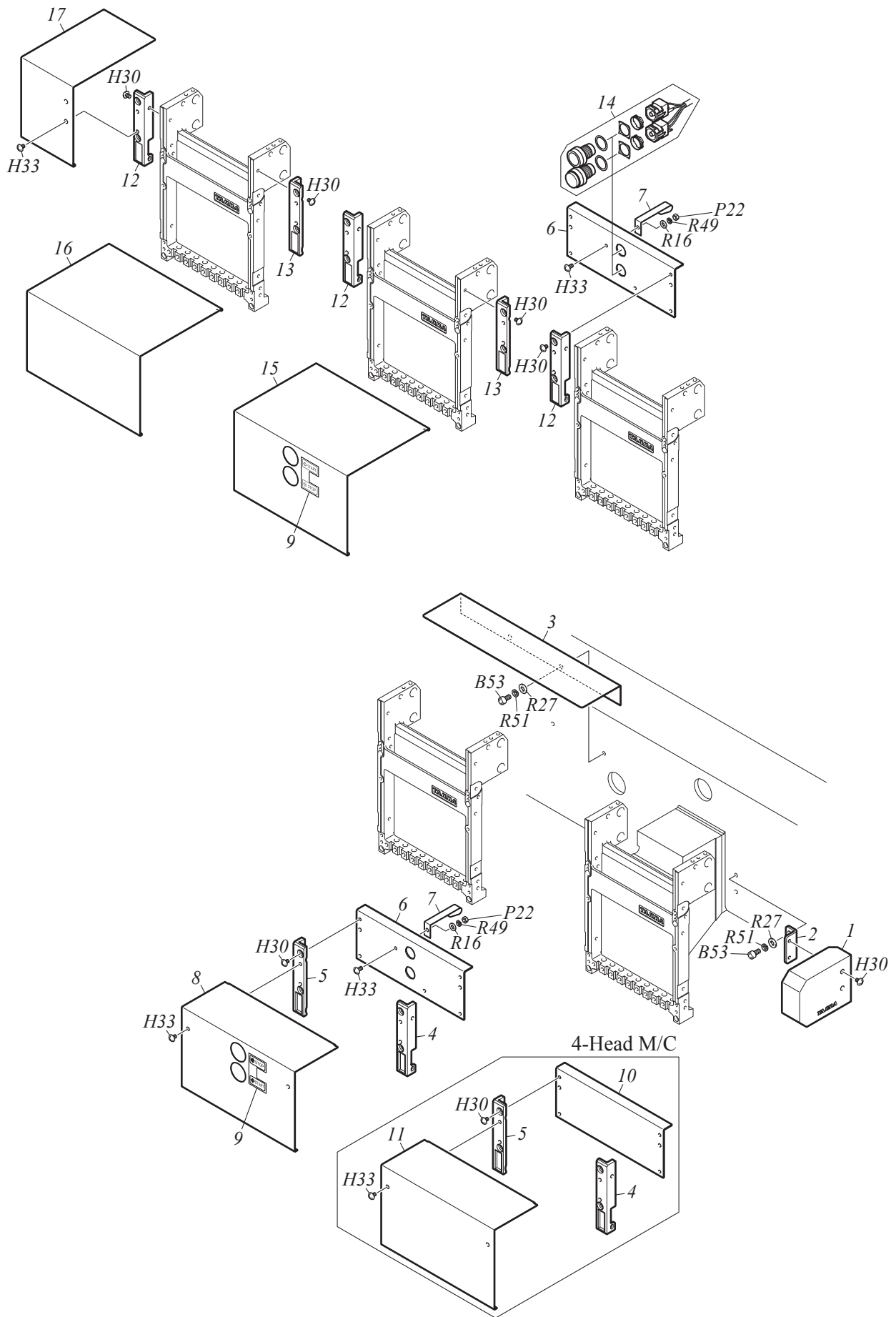
MJ-8-2

No.	Part Name	Part No.	Remark
1	TAKE-UP LEVER COVER	09053002@000	
2	PAN HEAD SCREW :9/64*25	511353010000	
3	ROLLER-TYPE MIDDLE THREAD GUIDE[A]	09021025@A00	
4	BASE :ROLLER-TYPE MIDDLE THREAD GUIDE	09021025@000	
5	ADJUSTING LEVER[S]	090210140S10	
6	FLAT FILLISTER HEAD SCREW :M3*4.3	511103010000	
7	COMPRESSION SPRING :0.7MM DIA.	507607160000	
8	RATCHET	090210050020	
9	TENSION COLLAR :NO.1	090210160010	
10	THREAD TAKE-UP SPRING :NO.2 :0.4MM DIA.	507204010010	
11	TENSION COLLAR :NO.2	090210170010	
12	STRAIGHT PIN :5MM DIA.	09021023@000	
13	STOPPER COLLAR :5MM DIA.	090210180010	
14	HOLDER :STRAIGHT PIN	090210190010	
15	STRAIGHT PIN :3MM DIA.	09021022@000	
16	E-RING :2MM DIA.	611100050000	
17	ROLLER-TYPE MIDDLE THREAD GUIDE[S]	09021009@S30	
18	STRAIGHT PIN :NO.1 :3MM DIA.	503101150020	
19	THREAD GUIDE COLLAR :1.8MM DIA.	516503010010	
20	ROUND COUNTERSUNK HEAD SCREW :9/64*3.5	511553010010	
21	FACE COVER :NEEDLE BAR CASE	09051001@060	
21	FACE COVER :NEEDLE BAR CASE :15-NEEDLE	09051001X090	
22	STEPPED SCREW :NO.1 :9/64*8.8	512153150000	
23	UPPER THREAD LOCK[A]	08027005@A10	
24	BASE :UPPER THREAD LOCK	08027005@000	
25	LOCK SHAFT[S]	080270030S10	
26	COMPRESSION SPRING :0.3MM DIA.	507603040030	
27	E-RING :1.5MM DIA.	611100040000	
28	UPPER THREAD HOLDER :04-12-NEEDLE[A]	0B020036@A10	
28	UPPER THREAD HOLDER :15-NEEDLE[A]	0B020033XA10	
29	BRACKET :UPPER THREAD HOLDER	0B0200010000	
30	THREAD SUSPENDER DISK	0B0200050000	
31	COMPRESSION SPRING :0.3MM DIA.	507603020010	
32	PRESSER :THREAD SUSPENDER SPRING	0B0200060000	
33	STEPPED SCREW :NO.1 :9/64*7.5	512153040000	
34	BASE :UPPER THREAD HOLDER[S]	0B020009@S10	
34	BASE :UPPER THREAD HOLDER :15-NEEDLE[S]	0B020034XS10	
35	BASE :UPPER THREAD HOLDER	0B020009@000	
35	BASE :UPPER THREAD HOLDER :15-NEEDLE	0B020034X000	
36	HOOK AND LOOP FASTENERS :W13	0B020062@000	
36	HOOK AND LOOP FASTENERS :W12 :L235	0B020054X000	15-Needle
37	UPPER THREAD HOLDER :04-12-NEEDLE[S]	0B020036@S10	
37	UPPER THREAD HOLDER :15-NEEDLE[S]	0B020033XS10	
38	UPPER THREAD HOLDER	0B020036@000	
38	UPPER THREAD HOLDER :15-NEEDLE	0B020033X000	
39	COLLAR :NO.1 :3MM DIA.	502503070010	
40	BASE :CHANGE ROLLER[A]	070110@@@A00	
41	BASE :CHANGE ROLLER[S]	070110@@@S10	
42	SCREW WITH ROLLER PIN :NO.1 :M5[S]	514105030S20	
43			

Note: As for parts with mark @, please follow our instructions on Table of Contents in your parts order.

(ZJ01)

FRONT COVER



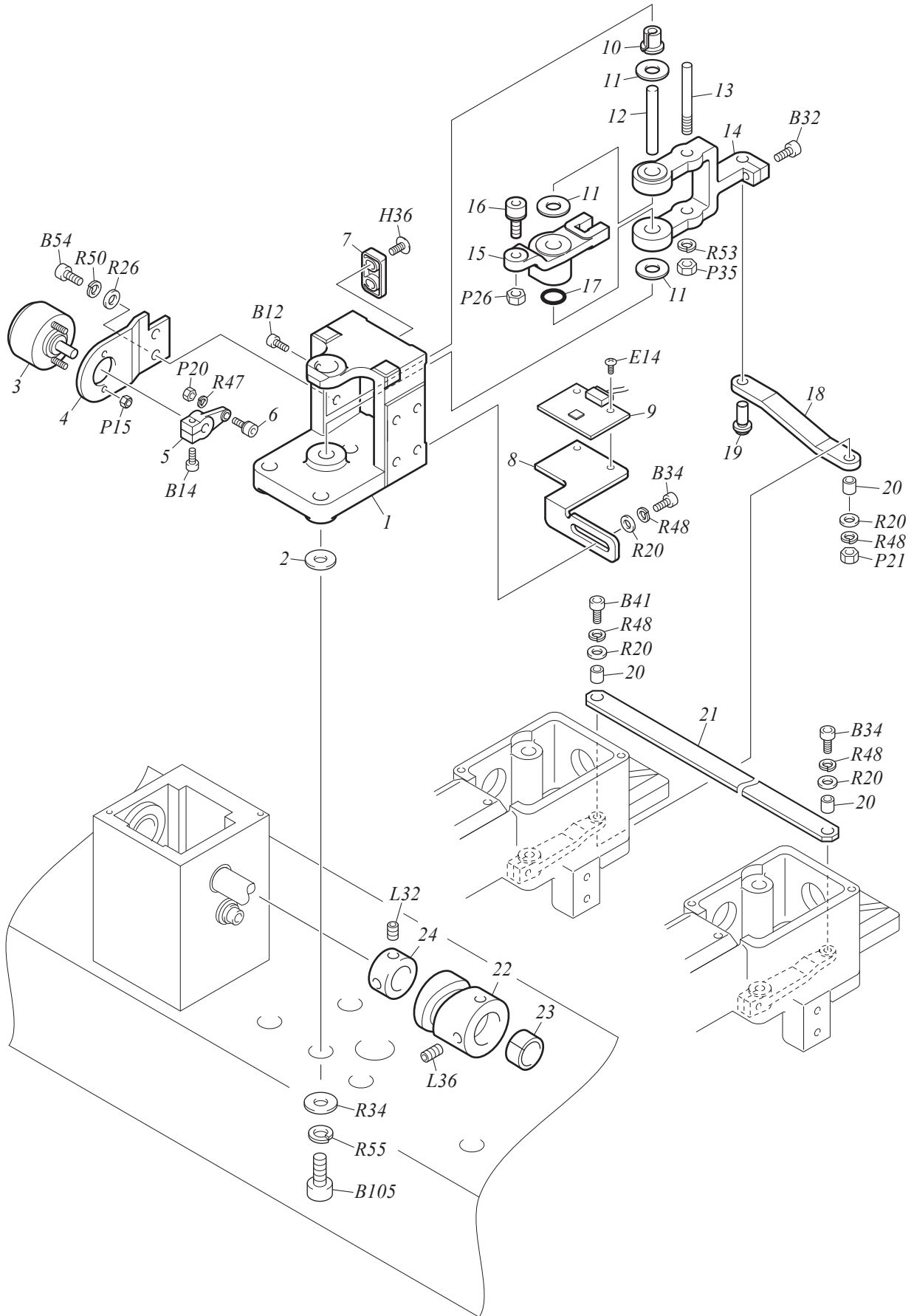
# FRONT COVER

MJ-9

No.	Part Name	Part No.	Remark
1	COVER :TIGHTENING COLLAR	170110080000	
2	BRACKET :COVER	030460050010	
3	TOP COVER :330-750P	17016007@000	
4	BRACKET :FRONT COVER :L[S]	17111015LS00	
5	BRACKET :FRONT COVER :R[S]	17111015RS00	
6	BASE :START/STOP SWITCH	17133@@@0020	
7	CORD CLAMP	0J1501800000	
8	FRONT COVER :NO.2 :1ST	17102@@@0000	
9	LABEL :START/STOP SWITCH	0P0600220000	
10	JOINT PLATE	17121@@@0010	
11	FRONT COVER :NO.1 :1ST	17101@@@0000	
12	BRACKET :FRONT COVER :L[S]	17111014LS00	
13	BRACKET :FRONT COVER :R[S]	17111014RS00	
14	SWITCH :CYLINDER HEAD[A]	0J0603300A30	
15	FRONT COVER :NO.2	17046@@@0000	
16	FRONT COVER :NO.1	17045@@@0000	
17	FRONT COVER :NO.7 :L90	170120010000	
18			
19			
20			
21			
22			
23			
24			
25			
26			
27			
28			
29			
30			
31			
32			
33			
34			
35			
36			
37			
38			
39			
40			
41			
42			
43			
44			
45			
46			
47			
48			
49			
50			

Note: As for parts with mark @, please follow our instructions on Table of Contents in your parts order.

(YK11)



# ATH DRIVE SYSTEM

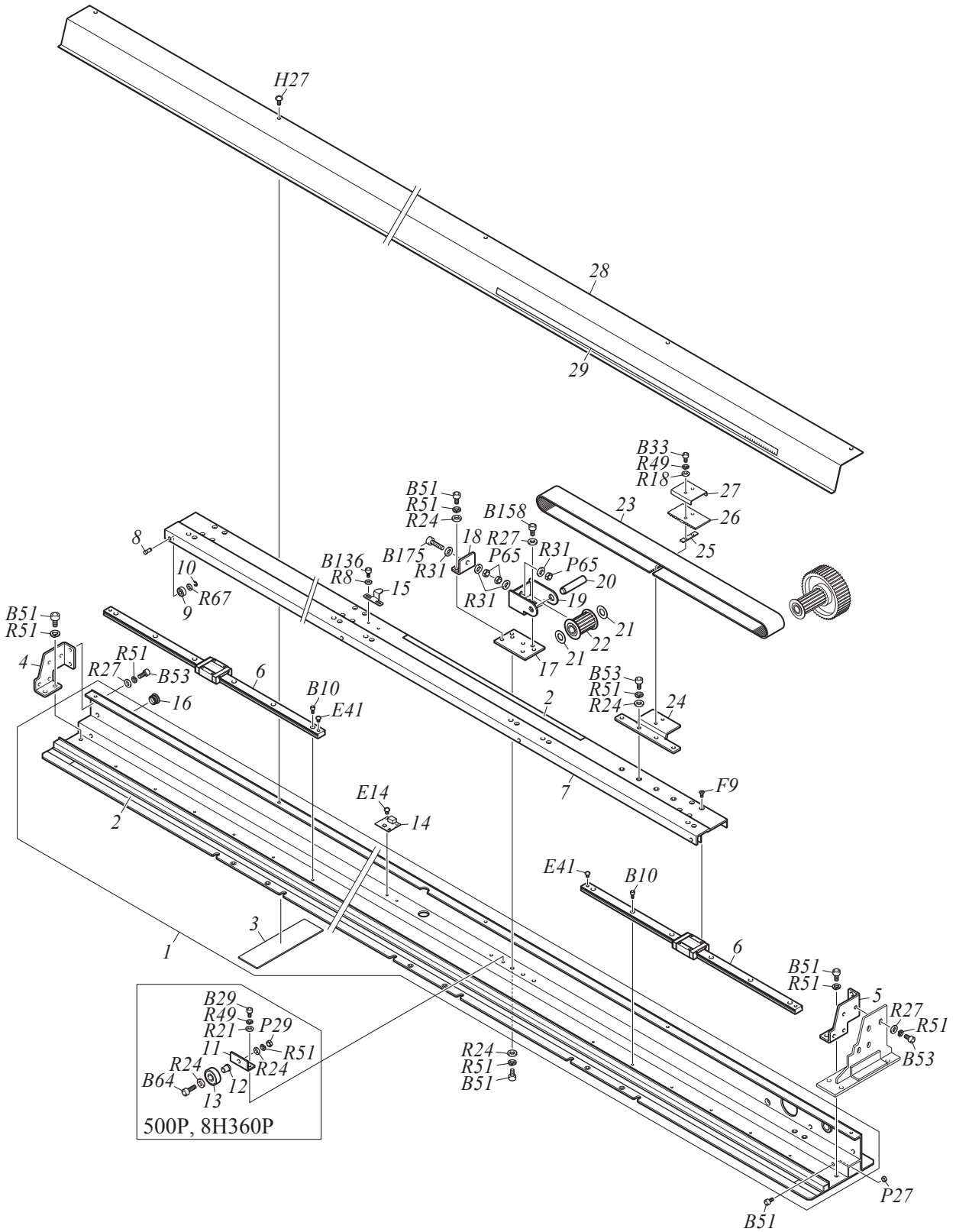
MJ-10

No.	Part Name	Part No.	Remark
1	BASE :ATH	0E0110080010	
2	PLAIN WASHER :12.5*22*T0.1-1	51911401@000	
3	SOLENOID :ROTARY	640600090011	
4	BRACKET :ATH SOLENOID	0E0210450010	
5	LEVER :ATH SOLENOID	0E0210570000	
6	SCREW WITH ROLLER PIN :NO.1[S]	514131010S10	
7	STOPPER :ATH CONNECTING PLATE ARM	0E0210540000	
8	BRACKET :RETRACTABLE SENSOR	0E0210630000	
9	CARD :MAGNETIC SENSOR A	0J4204400000	
10	SPLIT COLLAR :NO.2 :8MM DIA.	502408020010	
11	PLASTIC WASHER :8.2*12*T0.5	519210010000	
12	STRAIGHT PIN :NO.1 :8MM DIA.	503101190010	
13	SCREW WITH PIN :NO.4 :M6-36	513106010010	
14	ARM :ATH CONNECTING PLATE	0E0210420000	
15	LEVER :ATH CAM	0E0210400000	
16	ROLLER PIN[S]	514405020S00	
17	O-RING :P-8	612200060000	
18	CONNECTING PLATE :ATH ARM	0E0210170000	
19	MAGNET PIN[S]	0E0210680S10	
20	COLLAR :NO.1 :4.1MM DIA.	502541010000	
21	CONNECTING PLATE :ATH	0E02600@0000	
21	CONNECTING PLATE :ATH	05032052@000	6H500P, 8H360P
22	CAM :ATH	0E0210160010	
23	SPLIT COLLAR :NO.1 :15MM DIA.	502315020010	
24	STOPPER COLLAR :15MM DIA.	502115030000	
25			
26			
27			
28			
29			
30			
31			
32			
33			
34			
35			
36			
37			
38			
39			
40			
41			
42			
43			
44			
45			
46			
47			
48			
49			

Note: As for parts with mark @, please follow our instructions on Table of Contents in your parts order.

(YK09)

X-AXIS DRIVE SYSTEM 1





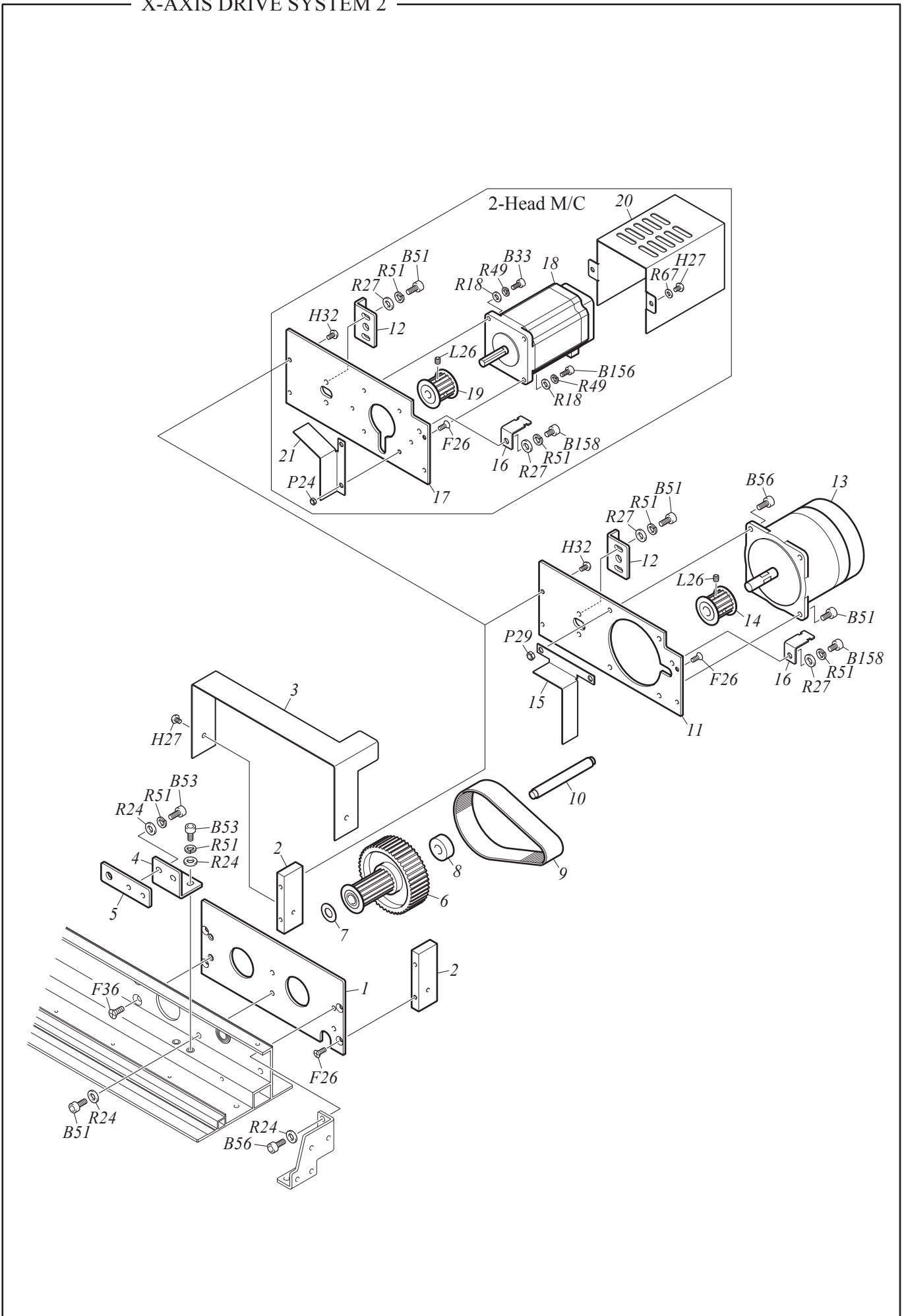
# X-AXIS DRIVE SYSTEM 1

MJ-11-1

No.	Part Name	Part No.	Remark
1	Z-SPEC. FRAME :0002/500S[S]	0F4110140S30	
1	Z-SPEC. FRAME[S]	0F4110@@0S20	4H, 6H360P, 8H500P
1	Z-SPEC. FRAME[S]	0F41101@0S40	6H500P, 8H360P
2	RAIL PLATE :0.5*10	518102@@0000	
3	FELT :T1.9[S]	0G0140020S20	
4	BRACKET :Z-SPEC. FRAME DRIVE BASE :L	0F416034L000	
5	BRACKET :Z-SPEC. FRAME DRIVE BASE :R	0F416034R000	
6	LINEAR WAY	660300@@0000	
7	SLIDE BASE[S]	0F4120@@0S10	2H500P, 4H, 6H360P
7	SLIDE BASE[S]	0F41201@0S20	6H500P, 8H
8	STEPPED PIN :NO.1	503201010010	
9	BEARING :R1340ZZ	630200330000	
10	E-RING :3MM DIA.	611100060000	
11	BASE :ROLLER PIN	0F4160450000	
12	BEARING COLLAR :5MM DIA.	502705010000	
13	BEARING :628ZZ	631200210000	
14	CARD :MAGNETIC SENSOR A	0J4204400000	
15	SENSOR PLATE :NO.1[S]	0F4140060S00	
16	LID :TAKE-UP LEVER BEARING CASE :13MM DIA.	080290010000	
17	PLATE :TENSION BASE	0F4160410000	
18	BASE :TENSION	0F4160420000	
19	HOLDER :TIMING PULLEY	0F4160350000	
20	STEPPED PIN :NO.1	503201020000	
21	PLASTIC WASHER :10.2*15*T0.5	519212030000	
22	TIMING PULLEY :W30-16[S]	501463010S00	
23	TIMING BELT :MA5 :W30-207E/LY	623C00010000	360P
23	TIMING BELT :MA5 :W30-263E/LY	623C00020000	500P
24	BASE :BELT CATCHER	0F4160380000	
25	SPACER :NO.2 :T1.6	510200400010	
26	BELT CATCHER :X	0F4160370000	
27	REINFORCING PLATE :BELT CATCHER PLATE	0F4160470010	
28	COVER :Z-SPEC. FRAME :0002/360S	0F4110340000	
28	COVER :Z-SPEC. FRAME	0F41102@0000	
29	TRAVERSE SCALE	0P1200020000	
30			
31			
32			
33			
34			
35			
36			
37			
38			
39			
40			
41			
42			
43			
44			
45			

Note: As for parts with mark @, please follow our instructions on Table of Contents in your parts order.

(XL03)



# X-AXIS DRIVE SYSTEM 2

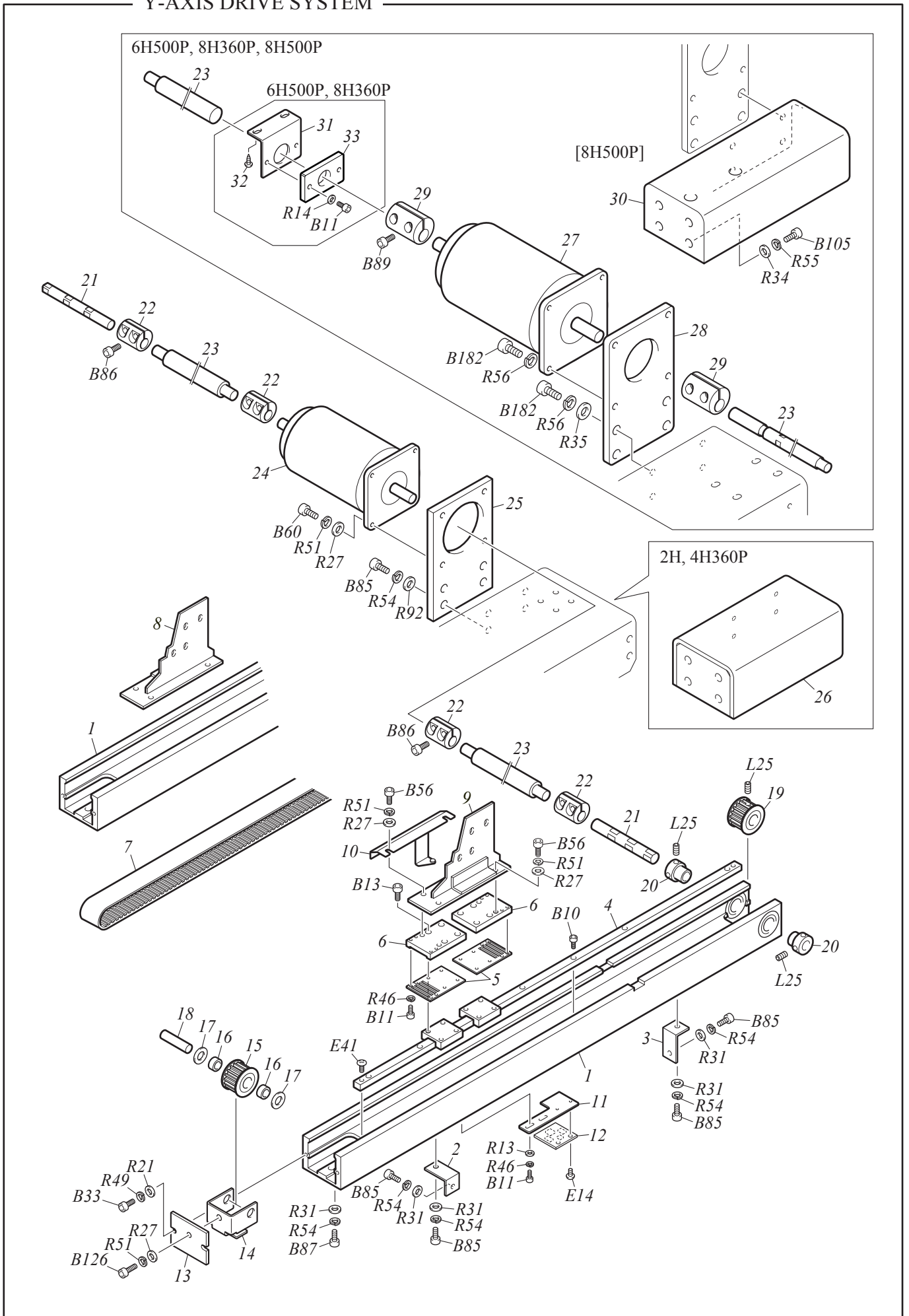
MJ-11-2

No.	Part Name	Part No.	Remark
1	PLATE :X MOTOR	0F4150110000	
2	JOINT BLOCK :PLATE	0F4150130000	
3	COVER :SPEED REDUCTION BOX	0F4150120000	
4	BASE :BEARING CASE PLATE	0F4160400000	
5	BEARING CASE PLATE	0F4160390000	
6	TIMING PULLEY :W20-48[S]	501445080S10	
7	PLASTIC WASHER :10.2*15*T0.5	519212030000	
8	COLLAR :NO.1 :10MM DIA.	502510050000	
9	TIMING BELT :SPTG :W20-S5M0325/G	623300020000	
10	STEPPED PIN :NO.1	503201030000	
11	PLATE :86MM DIA. MOTOR	0F4150100000	
12	BASE :TENSION SHAFT HOLDER	0F4150150000	
13	PULSE MOTOR :86MM DIA. :WITH SENSOR[A]	0J6107200A10	
14	TIMING PULLEY :W20-16[S]	501440050S00	
15	WIRING GUARD :86MM DIA. MOTOR	0F4160440000	
16	STAY :WIRING	0F4160360010	
17	PLATE :60MM SQUARE MOTOR	0F4150090000	
18	PULSE MOTOR :60MM SQUARE :WITH SENSOR[A]	0J6105400A10	
19	TIMING PULLEY :W20-16[S]	501440040S00	
20	COVER :60MM SQUARE MOTOR	0F4150140000	
21	WIRING GUARD :60MM SQUARE MOTOR	0F4160430000	
22			
23			
24			
25			
26			
27			
28			
29			
30			
31			
32			
33			
34			
35			
36			
37			
38			
39			
40			
41			
42			
43			
44			
45			
46			
47			
48			
49			
50			

Note: As for parts with mark @, please follow our instructions on Table of Contents in your parts order.

(XL03)

Y-AXIS DRIVE SYSTEM



# Y-AXIS DRIVE SYSTEM

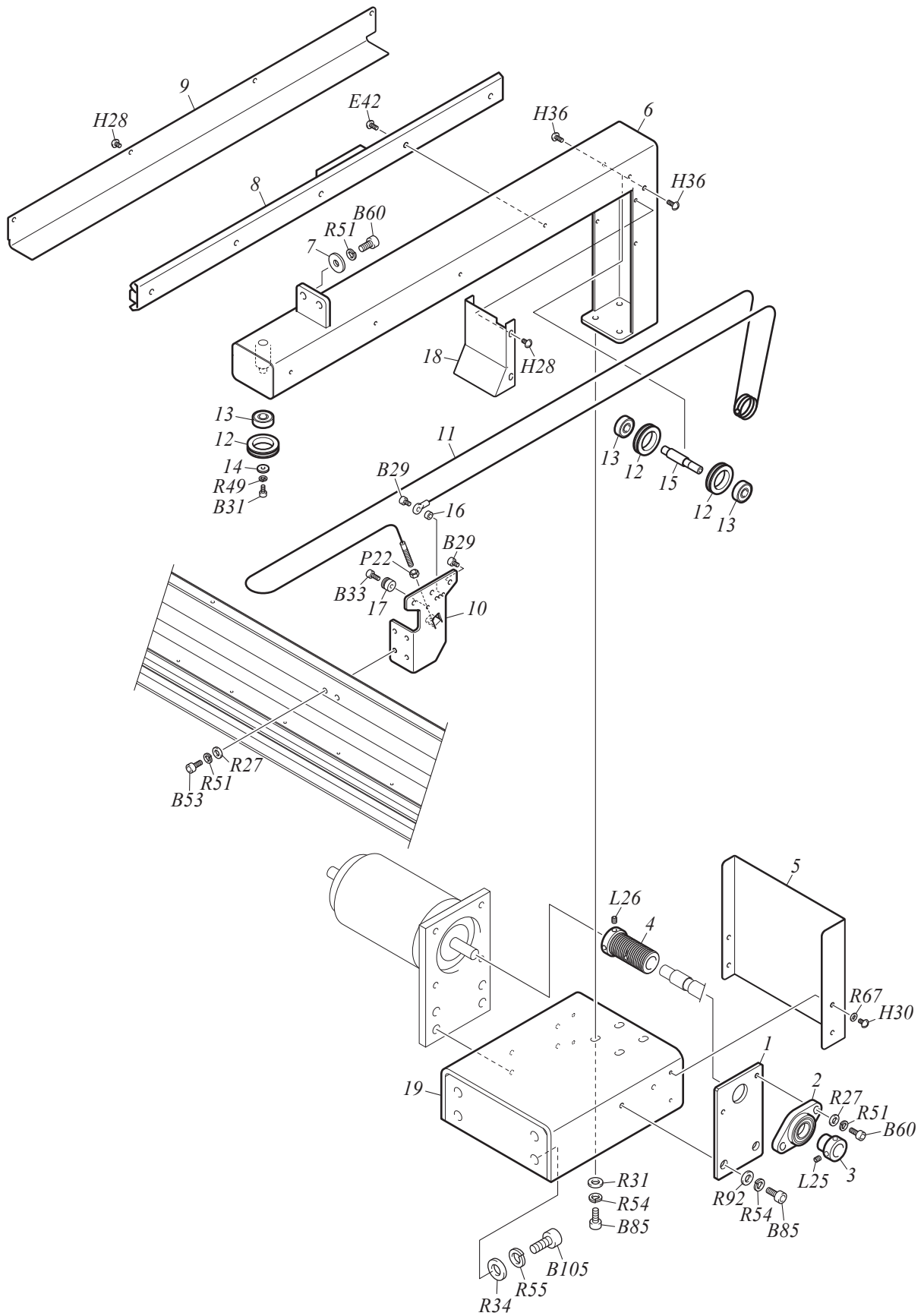
MJ-12

No.	Part Name	Part No.	Remark
1	Y-DRIVE BASE :NO.9 :A :R[S]	16091005AS10	2H, 4H, 6H360P
1	Y-DRIVE BASE :NO.9 :B :R[S]	16091005BS10	6H500P, 8H
2	BRACKET :Y-DRIVE BASE	0F4220020020	
3	BRACKET :Y-DRIVE BASE	0F4220030020	
4	LINEAR WAY :LWL-15C2R580	660300050000	
5	BELT CATCHER :NO.2 :Y	0F4230230010	
6	BELT CATCHER :NO.1 :Y	0F4230240000	
7	TIMING BELT :MA5 :W25-249E/LY	623B00010000	2H, 4H, 6H360P
7	TIMING BELT :MA5 :W25-272E/LY	623B00020000	6H500P, 8H
8	Z-SPEC. FRAME ARM :L	0F423036L010	
9	Z-SPEC. FRAME ARM :R	0F423036R010	
10	BRACKET :Y-AXIS SENSOR[S]	0F0110170S00	
11	BRACKET :ORIGIN SENSOR	0F4230250010	
12	CARD :MAGNETIC SENSOR A	0J4204400000	
13	SIDE COVER :Y-DRIVE BASE	0F4230220000	
14	HOLDER :TIMING PULLEY	0F4210010010	
15	TIMING PULLEY :W25-16	501452040010	
16	NEEDLE BEARING :HK-1010	634100060000	
17	PLASTIC WASHER :10.2*15*T0.5	519212030000	
18	STRAIGHT PIN :NO.1 :10MM DIA.	503101200010	
19	TIMING PULLEY :W25-16	501452020010	
20	BEARING COLLAR :12MM DIA.	502712020000	
21	SHAFT :Y-AXIS PULLEY	0F0170110010	
22	TIGHTENING JOINT :12MM DIA.	504312010010	
23	Y SHAFT	QQ4@030@@010	
24	PULSE MOTOR :86MM DIA. :WITH SENSOR[A]	0J6106700A20	
25	BRACKET :Y MOTOR	0F4230200000	
26	BASE :Y MOTOR	0F4230350000	
27	PULSE MOTOR :106MM DIA. :WITH SENSOR[A]	0J6105700A20	
28	BRACKET :Y MOTOR	0F4320120010	
29	TIGHTENING COUPLING :15MM DIA.	504315010000	
30	BASE :Y MOTOR	0F4230410000	
31	BRACKET :20MM DIA. SHAFT GUIDE	0F4230120020	
32	TRUSS HEAD TAPPING SCREW :4P*16	S530041601SD	
33	GUIDE :15MM DIA. SHAFT	0F4230130000	
34			
35			
36			
37			
38			
39			
40			
41			
42			
43			
44			
45			
46			
47			
48			

Note: As for parts with mark @, please follow our instructions on Table of Contents in your parts order.

(XL03)

AUXILIARY DRIVE SYSTEM A



# AUXILIARY DRIVE SYSTEM A

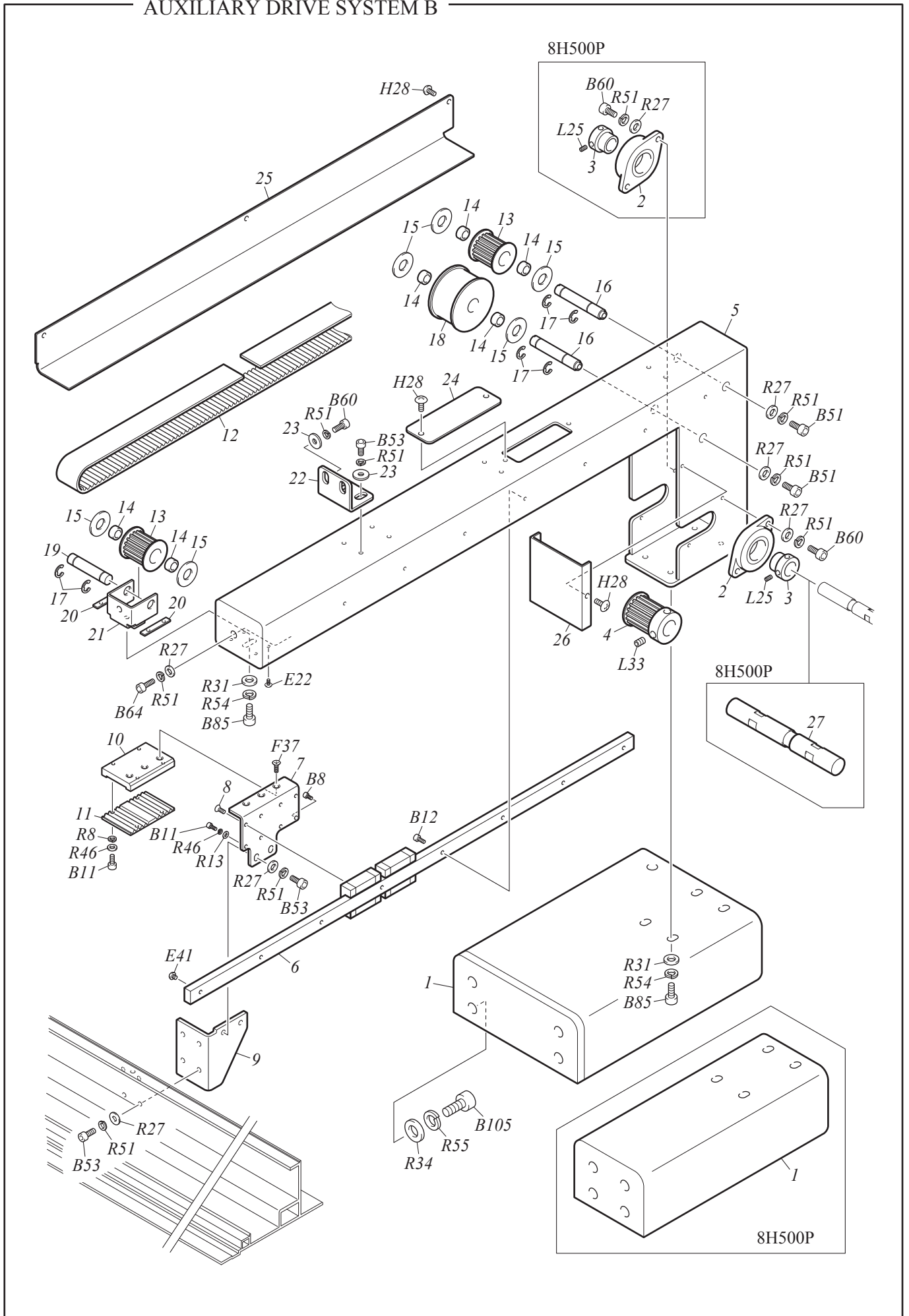
MJ-13a

No.	Part Name	Part No.	Remark
1	BRACKET :BEARING CASE	0F4310050010	
2	BEARING CASE :NO.3 :15MM DIA.[S]	508315010S00	
3	NEEDLE COLLAR :15MM DIA.	502815010000	
4	SPIRAL PULLEY :25MM DIA.	0F4310120010	
5	COVER :AUXILIARY DRIVE BASE	0F4310150000	
6	AUXILIARY DRIVE BASE :A/GES[S]	0F4310161S10	
7	PLAIN WASHER :M5*16*T2	S301051601SD	
8	SLIDE RAIL :330LMM2205	661100090010	
9	COVER :SLIDE RAIL	0F4310090000	
10	AUXILIARY DRIVE ARM	0F4310170000	
11	WIRE :AUXILIARY DRIVE[S]	0F4310100S20	
12	R PULLEY :30.2MM DIA.	501DB3020000	
13	BEARING :608ZZ	631200090000	
14	PLAIN WASHER :4*12*T2	519104040000	
15	STEPPED PIN :PULLEY	0F4310030010	
16	COLLAR :NO.1 :4.1MM DIA.	502541030010	
17	BOSS	0F4310070010	
18	COVER :R-PULLEY	0F4310020000	
19	BRACKET :AUXILIARY DRIVE BASE	0F4310140000	
20			
21			
22			
23			
24			
25			
26			
27			
28			
29			
30			
31			
32			
33			
34			
35			
36			
37			
38			
39			
40			
41			
42			
43			
44			
45			
46			
47			
48			
49			
50			

Note: As for parts with mark @, please follow our instructions on Table of Contents in your parts order.

(YK10)

AUXILIARY DRIVE SYSTEM B





# AUXILIARY DRIVE SYSTEM B

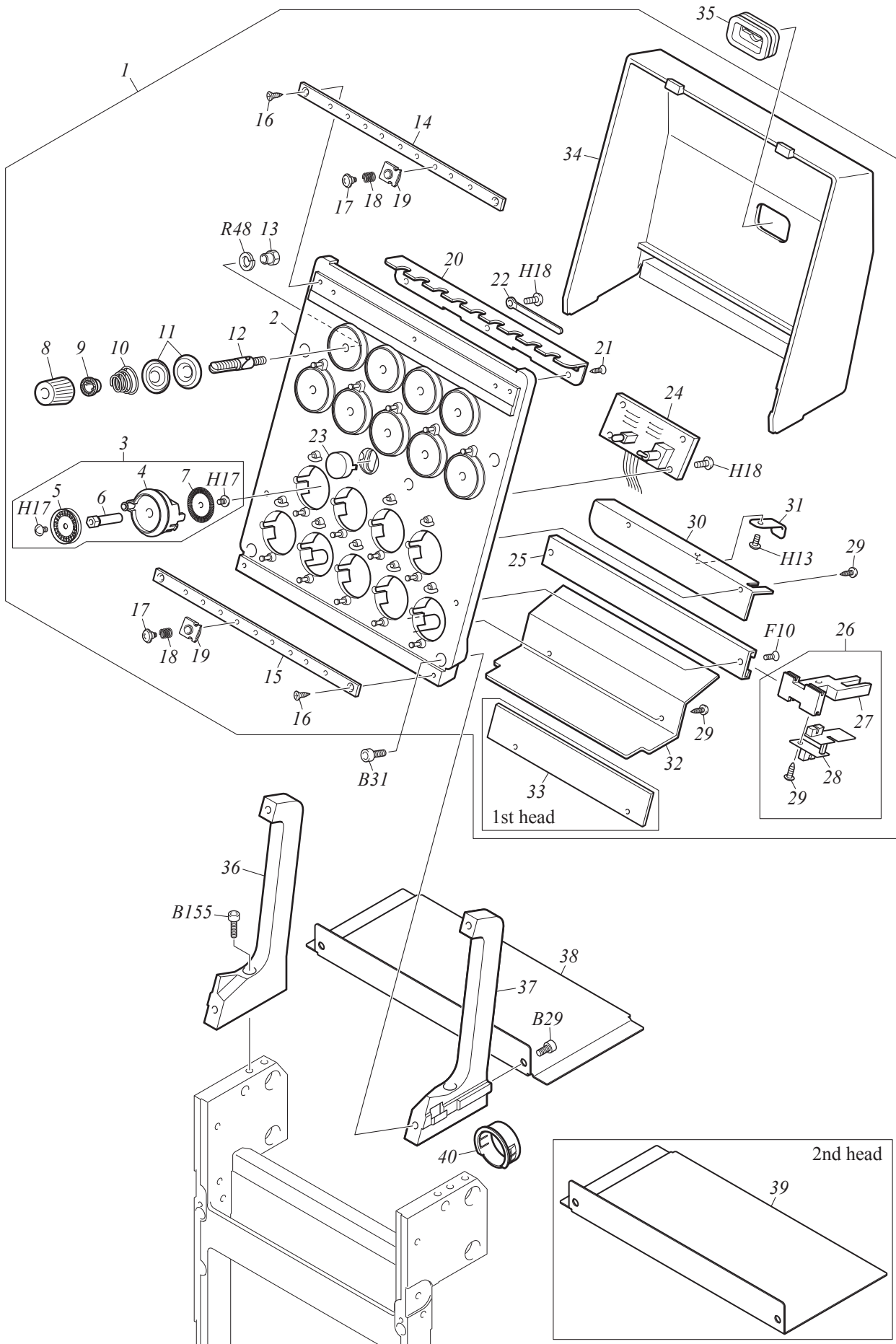
MJ-13b

No.	Part Name	Part No.	Remark
1	BRACKET :AUXILIARY DRIVE BASE	0F4320150000	6H500P, 8H360P
1	BASE :AUXILIARY DRIVE	0F4320190000	8H500P
2	BEARING CASE :NO.3 :15MM DIA.[S]	508315010S00	
3	NEEDLE COLLAR :15MM DIA.	502815010000	
4	TIMING PULLEY :W25-16[S]	501452070S10	
5	AUXILIARY DRIVE	0F4320200000	
6	LINEAR WAY :A :ZLWL-1518C2R580	66030005A000	
7	AUXILIARY DRIVE ARM	0F4320250010	
8	COUNTERSUNK HEAD SCREW :M3*6	511403010000	
9	BRACKET :AUXILIARY DRIVE ARM	0F4320170000	
10	BELT CATCHER :NO.1	0F4320260000	
11	BELT CATCHER :NO.2	0F4320270000	
12	TIMING BELT :MA5 :W25-310E/LY	623B00030000	
13	TIMING PULLEY :W25-16[S]	501452040S10	
14	NEEDLE BEARING :HK-1010	634100060000	
15	PLASTIC WASHER :10.2*15*T0.5	519212030000	
16	STEPPED PIN :NO.1	503201040000	
17	E-RING :7MM DIA.	611100100000	
18	FLAT PULLEY :50MM DIA.	501903030000	
19	STRAIGHT PIN :NO.4 :10MM DIA.	503104020010	
20	GUIDE PLATE :HOLDER	0F4320240000	
21	HOLDER :TIMING PULLEY	0F4210010010	
22	STAY :AUXILIARY DRIVE	0F4320230000	
23	PLAIN WASHER :M5*16*T2	S301051601SD	
24	COVER :AUXILIARY DRIVE	0F4320220000	
25	COVER :SLIDE RAIL	0F4320210000	
26	COVER :TIMING BELT	0F4320030000	
27	SHAFT :AUXILIARY DRIVE SYSTEM PULLEY	0F4320280000	8H500P
28			
29			
30			
31			
32			
33			
34			
35			
36			
37			
38			
39			
40			
41			
42			
43			
44			
45			
46			
47			
48			
49			

Note: As for parts with mark @, please follow our instructions on Table of Contents in your parts order.

(YK10)

TENSION BASE



# TENSION BASE

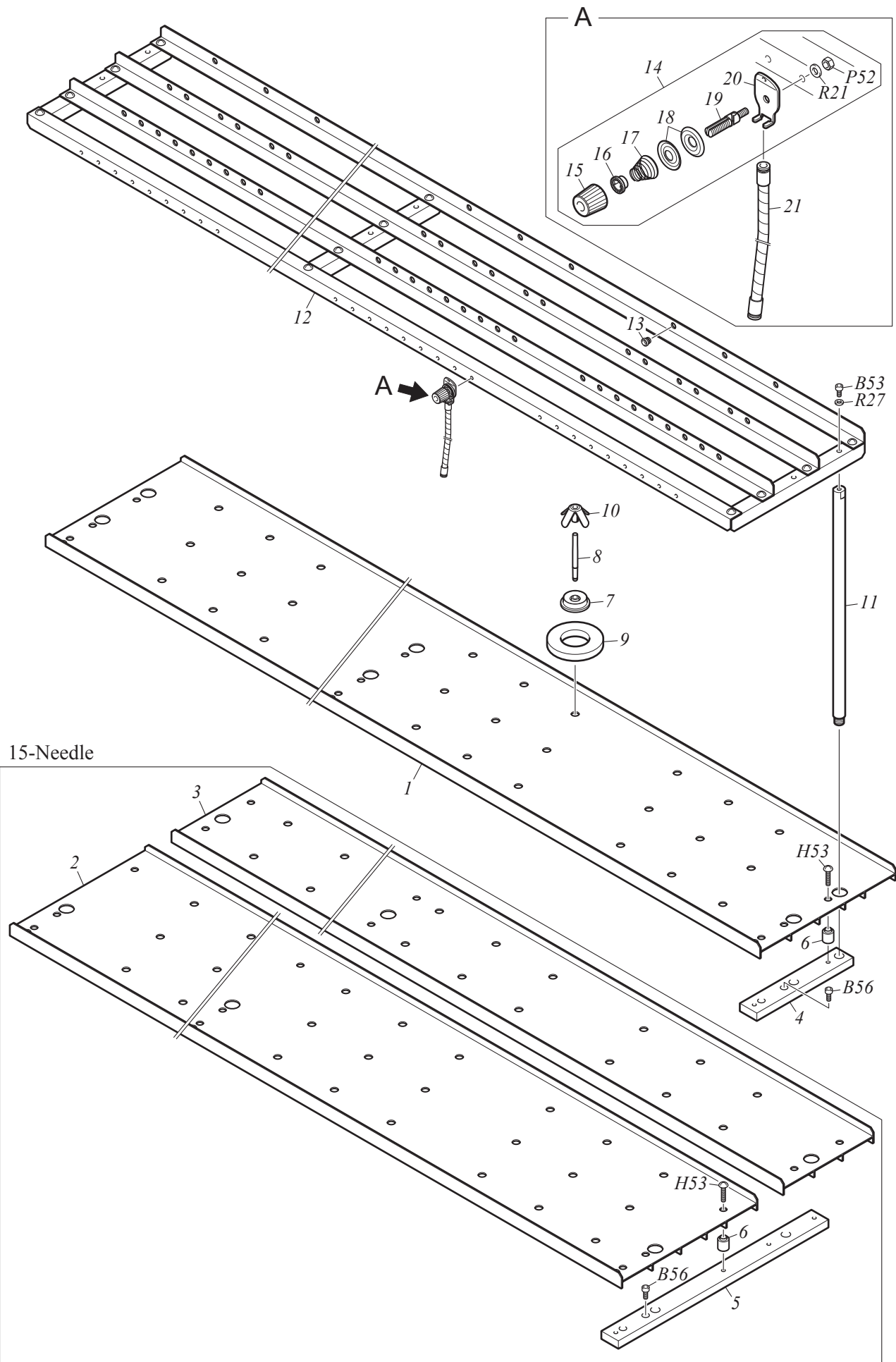
MJ-14

No.	Part Name	Part No.	Remark
1	TENSION BASE :ROTARY :TFMX :GUARD B	UC29@0000140	1st Head
1	TENSION BASE :ROTARY :TFMX	UC29@0000040	
2	TENSION BASE :ROTARY[S]	0C012002@S60	
3	ROTARY TENSION DISK[A]	0C0230190A00	
4	BASE :ROTARY TENSION DISK[S]	0C0230190S20	
5	ROTARY TENSION DISK	0C0230120010	
6	SHAFT :ROTARY TENSION DISK	0C0230130030	
7	SLIT PLATE :ROTARY DISK :50	0J4203800000	
8	KNOB :THREAD TENSION :A	0C0220150000	
9	SPRING HOOK	0C0220080000	
10	TAPER SPRING :0.6MM DIA.	507706010000	
11	TENSION DISK	0C0210060000	
12	THREAD TENSION STUD :WITH GROOVE	0C0210040000	
13	SCREW BUSHING :NO.2 :M4	509804050000	
14	BASE :THREAD PRESSER :U :06-NEEDLE	0C0220316000	
14	BASE :THREAD PRESSER :U :09-NEEDLE	0C0220339000	
14	BASE :THREAD PRESSER :U :12-NEEDLE	0C022035Y000	
14	BASE :THREAD PRESSER :U :15-NEEDLE	0C022037X000	
15	BASE :THREAD PRESSER :D :06-NEEDLE	0C0220326000	
15	BASE :THREAD PRESSER :D :09-NEEDLE	0C0220349000	
15	BASE :THREAD PRESSER :D :12-NEEDLE	0C022036Y000	
15	BASE :THREAD PRESSER :D :15-NEEDLE	0C022038X000	
16	COUNTERSUNK TAPPING SCREW :3P*10	S550031001SD	
17	TRUSS HEAD SCREW :STEPPED :M3*4*2	S132030401TD	
18	COMPRESSION SPRING :0.2MM DIA.	507602010000	
19	THREAD PRESSER	0C0220400000	
20	UPPER THREAD GUIDE :TENSION BASE	0C022017@020	
21	COUNTERSUNK TAPPING SCREW :3P*8	S550030801SD	
22	COATED CLIP :5	644500150000	
23	LAMP COVER :TENSION BASE	0C0250050000	
24	CARD :TENSION BASE	0J2601900030	
25	RAIL :THREAD BREAKAGE SENSOR	0C023014@000	
26	TC SENSOR[A]	0J2602300A30	
27	BRACKET :TC SENSOR CARD	0C0230220010	
28	CARD :TC SENSOR	0J2602100010	
29	TRUSS HEAD TAPPING SCREW :3P*6	S530030601SD	
30	DISK GUARD :A	0C023020@010	
31	PLATE SPRING :T0.3	507803050000	
32	DISK GUARD :C	0C023025@000	
33	DISK GUARD :B	0C023016@000	
34	COVER :TENSION BASE	0C015002@000	1st Head
34	COVER :TENSION BASE[S]	0C015007@S00	
35	GROMMET	0C0250090010	
36	BRACKET :TENSION BASE :L[S]	0C024003LS00	
37	BRACKET :TENSION BASE :R[S]	0C024003RS00	
38	TENSION BASE CORD COVER :06-15-NEEDLE	0C054023@000	
39	TENSION BASE CORD COVER :A :06-15-NEEDLE	0C054029@000	
40	BUSHING :HARNESS	0J1501100020	
41			
42			

Note: As for parts with mark @, please follow our instructions on Table of Contents in your parts order.

(ZJ01)

THREAD STAND



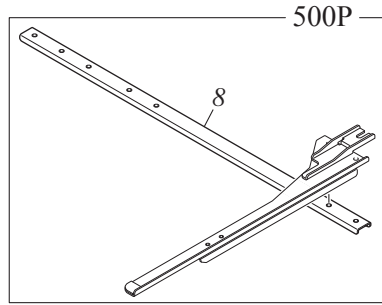
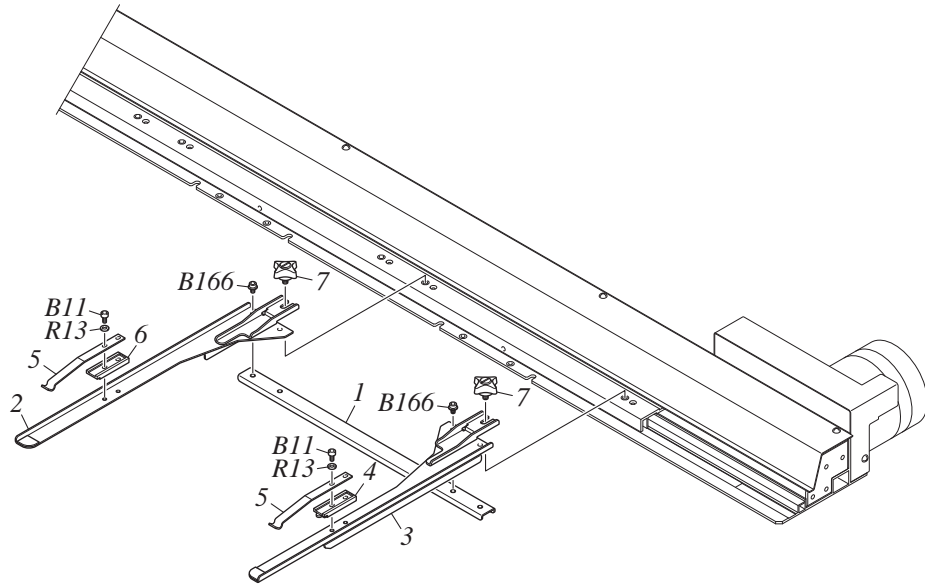
# THREAD STAND

MJ-15

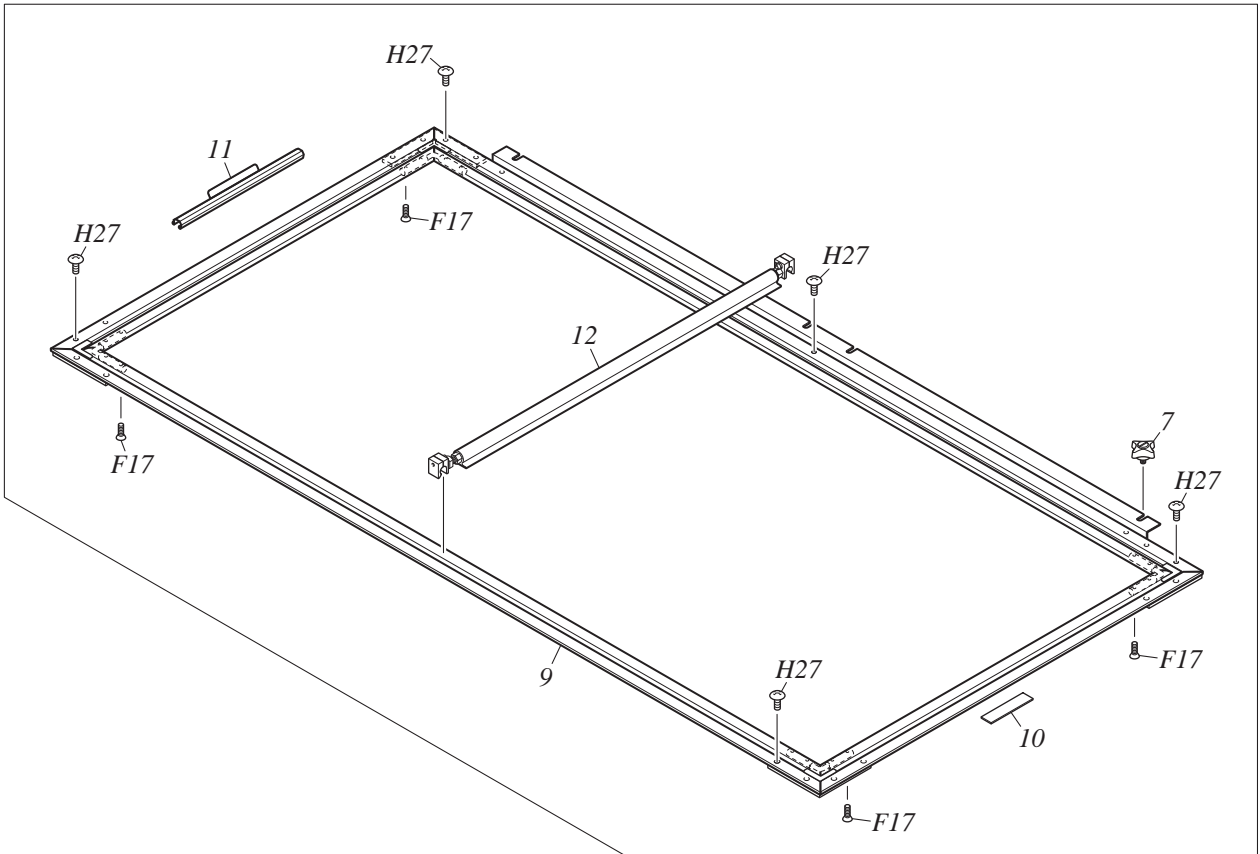
No.	Part Name	Part No.	Remark
1	THREAD STAND PLATE	1DA@@@@@010	
2	THREAD STAND PLATE :FRONT	1DA@@@01X010	
3	THREAD STAND PLATE :REAR	1DA@@@02X010	
4	BASE :THREAD STAND PLATE	0D011004A020	
5	BASE :THREAD STAND PLATE	0D011004B020	
6	COLLAR :NO.2 :7MM DIA.	502607010010	
7	BASE :THREAD STAND STUD	0D0110420000	
8	THREAD STAND STUD	0D0110410000	
9	THREAD STAND RING :T10	0D0110022010	
10	THREAD STAND BLADE	0D0110010010	
11	THREAD COURSE SUPPORT BAR :L345	0D0210313010	
12	THREAD COURSE	1EA@@@@@@00	
13	THREAD GUIDE COLLAR :BLACK :4.5MM DIA.	516501012010	
13	THREAD GUIDE COLLAR :RED :4.5MM DIA.	516501011010	
14	THREAD TENSION :TUBE :B	UD1100000200	
15	KNOB :THREAD TENSION :A	0C0220150000	
16	SPRING HOOK	0C0220080000	
17	TAPER SPRING :0.6MM DIA.	507706010000	
18	TENSION DISK	0C0220160010	
19	THREAD TENSION STUD :WITH GROOVE	0C0210040000	
20	THREAD TENSION GUIDE :TUBE	0D0210150030	
21	SPIRAL TUBE :L230[A]	0D0210052A00	
22			
23			
24			
25			
26			
27			
28			
29			
30			
31			
32			
33			
34			
35			
36			
37			
38			
39			
40			
41			
42			
43			
44			
45			
46			
47			
48			
49			

Note: As for parts with mark @, please follow our instructions on Table of Contents in your parts order.

(XL03)



Option



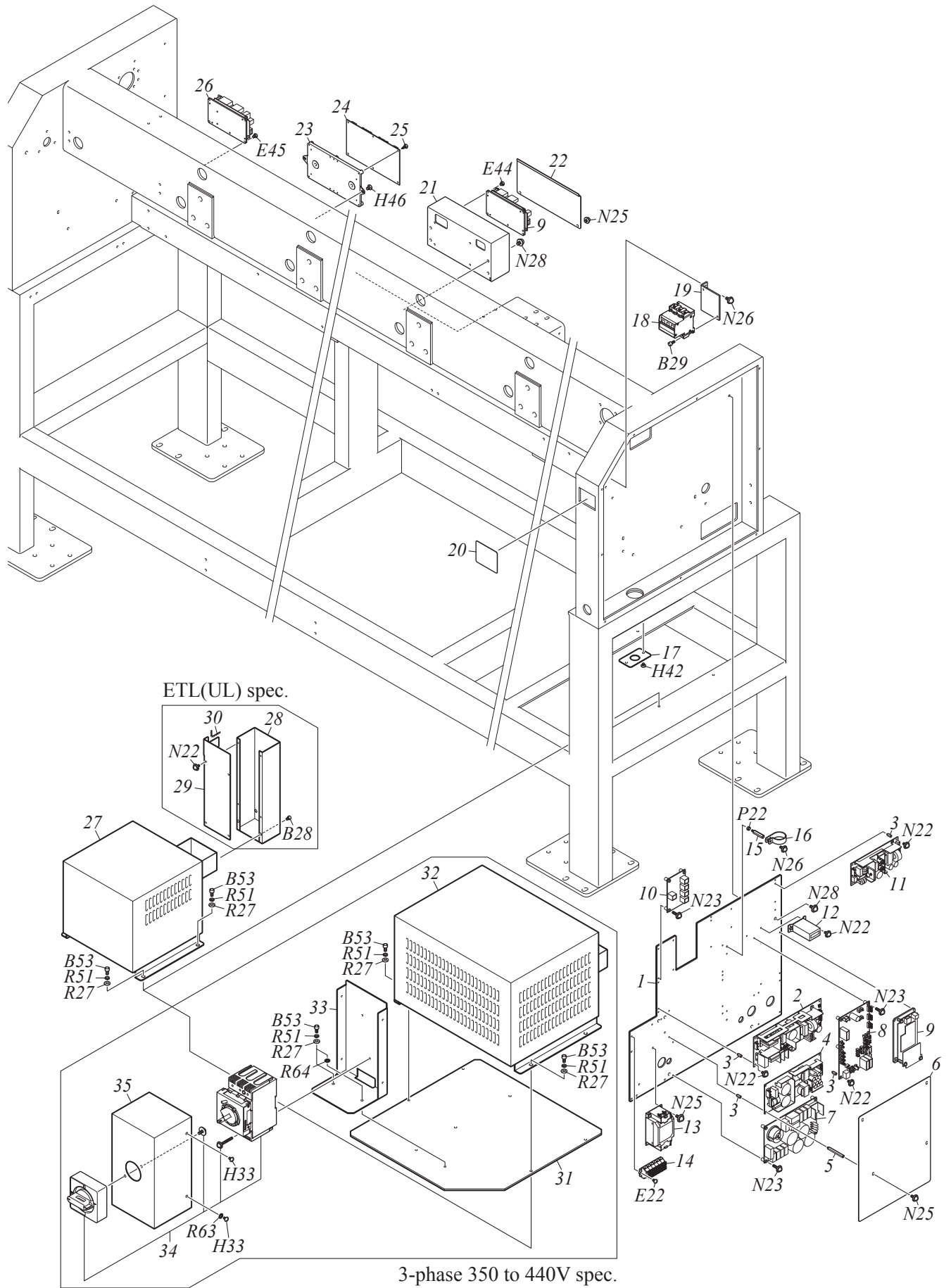
# EMBROIDERY FRAME

MJ-16

No.	Part Name	Part No.	Remark
1	JOINT PLATE :FRAME HOLDER :P360[S]	0G3140280S00	
2	FRAME HOLDER :L :Y450[S]	0G314027LS00	
3	FRAME HOLDER :R :Y450[S]	0G314027RS00	
4	STOPPER :NO.1	0G314001A020	
5	PLATE SPRING :HOLDER BASE :T1.5	507815060010	
6	STOPPER :NO.2	0G314002B020	
7	KNOBBED SCREW :NO.2 :M5*6[S]	511F05110S00	
8	JOINT PLATE :FRAME HOLDER :P500[S]	0G3140300S00	
9	BORDER FRAME[A]	308@@@010A10	
10	FELT :T1.9[S]	0G0240030000	
11	BORDER FRAME CLIP :BFF8 :L100-300[S]	0G052021@S00	
12	SUPPORTER :BS-450E[A]	930100300A00	4H500P or more
13			
14			
15			
16			
17			
18			
19			
20			
21			
22			
23			
24			
25			
26			
27			
28			
29			
30			
31			
32			
33			
34			
35			
36			
37			
38			
39			
40			
41			
42			
43			
44			
45			
46			
47			
48			
49			
50			

Note: As for parts with mark @, please follow our instructions on Table of Contents in your parts order.

(YK08)





# ELECTRICAL PARTS

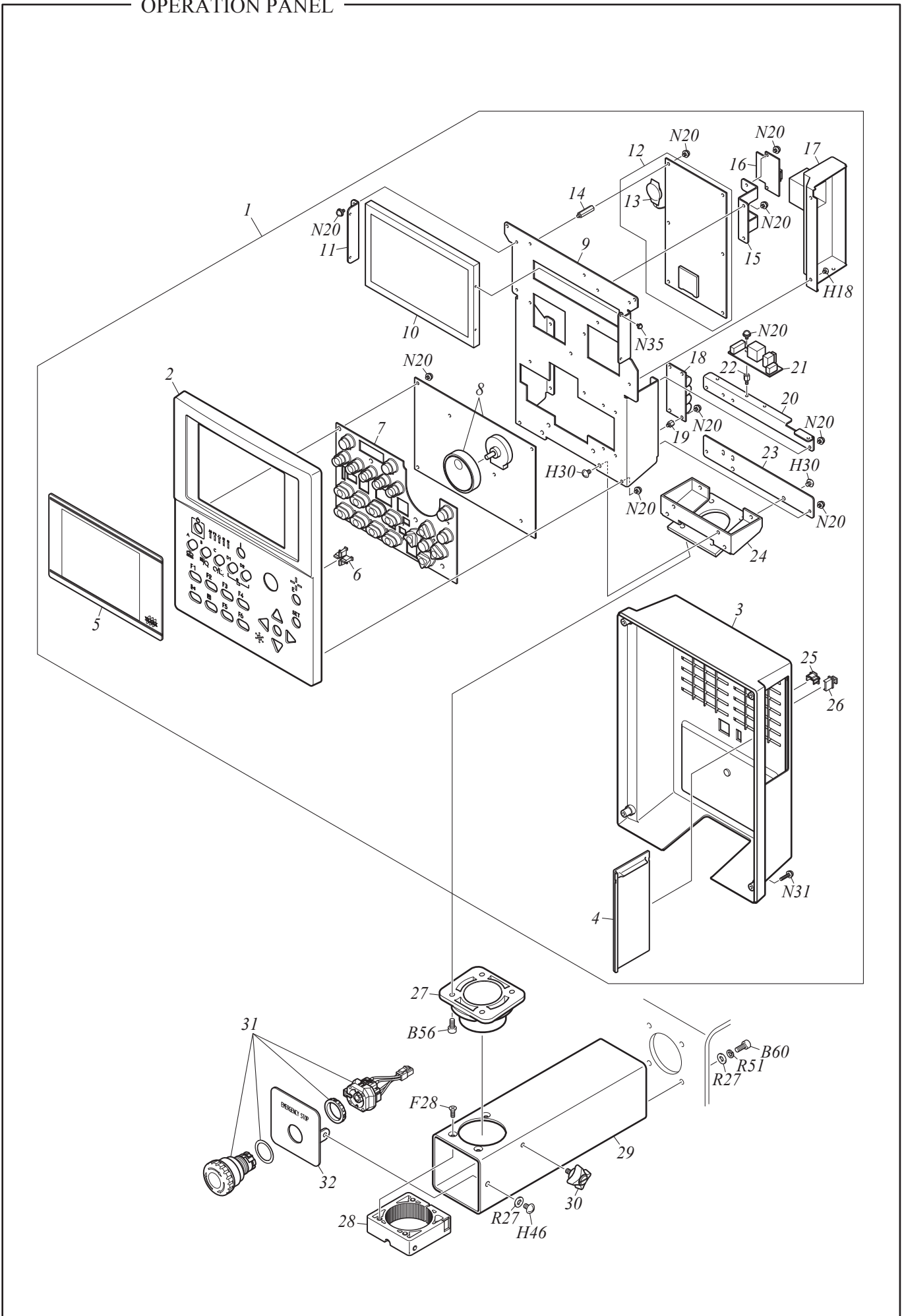
MJ-17

No.	Part Name	Part No.	Remark
1	BASE :CARD	030190340060	
2	DC POWER SUPPLY :24V	645300190011	
3	SPACER :HEXAGON :L10 :M3	644501330000	
4	DC POWER SUPPLY :5V +/-12V	645300030000	
5	STUD :NO.1 :M3-47.9	505103020000	
6	COVER :POWER SUPPLY	0J5101100010	
7	CARD :POWER SUPPLY :SINGLE-PHASE	0J2101601030	
7	CARD :POWER SUPPLY :3-PHASE	0J2101600040	
8	CARD :MACHINE	0J2502300050	
9	XY-AXIS DRIVER :X13-C[A]	0J0303500A20	
10	CARD :USB HUB	0J2503700000	
11	DC POWER SUPPLY :24V :100W	645300470000	LED Lamp (Option)
12	COUNTER :ELECTRO-MAGNETIC	0J4500200010	
13	NOISE FILTER :SINGLE-PHASE	641400140000	
13	NOISE FILTER :3-PHASE	641400200000	
14	TERMINAL BASE :6P	643400030000	
15	STUD :NO.1 :M4-30	644501630000	
16	NYLON CLAMP :18N	644500170000	
17	HOLDER HARNESS :A	03014003A010	
18	CIRCUIT PROTECTOR :3-PHASE 10A	646100090010	
19	BRACKET :BREAKER :A	03013013A000	
19	BRACKET :BREAKER :B	03013013B000	6H500P, 8H
20	BOX STICK-ON PLATE	03079008@000	3-phase 350 to 440V
21	BOX :Y DRIVER	03019025@000	
22	COVER :Y DRIVER	03019026@000	
23	BRACKET :HEAD CARD	0J1941800000	
24	CARD :HEAD :S5B	0J2706100000	
25	TRUSS HEAD TAPPING SCREW :3P*8	S530030801SD	
26	MAIN SHAFT DRIVER :X13-A :200[A]	0J0303300A20	2H
26	MAIN SHAFT DRIVER :X13-B :400[A]	0J0303400A20	
27	TRANSFORMER :SEPARATE :X13A[A]	0J0901400A30	
28	BRACKET :HARNESS	0L222001@000	
29	COVER :HARNESS	0L222002@010	
30	UNIVERSAL BUSHING :KG-010	64450162@000	
31	BASE :TRANSFORMER :C	0J1801800000	
32	TRANSFORMER :SEPARATE :X15[A]	0J0902400A00	
33	BOX :BREAKER	0J1108300000	
34	NO FUSE BREAKER :3-PHASE 15A[T]	0J0605800T00	
35	COVER :BREAKER BOX	0J1108400000	
36			
37			
38			
39			
40			
41			
42			
43			
44			
45			
46			

Note: As for parts with mark @, please follow our instructions on Table of Contents in your parts order.

(ZJ06)

OPERATION PANEL



# OPERATION PANEL

MJ-18

No.	Part Name	Part No.	Remark
1	CONTROLLER :X21[A]	0J0205100A10	
2	OPERATION PANEL :FRONT[S]	0J1404200S20	
3	OPERATION PANEL :REAR	0J1404300010	
4	SHUTTER :FDD	0J1404400010	
5	COVER :LCD PANEL	0J1414900000	
6	COVER :LAMP	0J1404700000	
7	OPERATION BUTTON	0J1404500000	
8	CARD :SWITCH :4	0J3505400000	
9	BASE :PANEL CARD	0J1415300000	
10	LCD :7 INCH WIDE	641200250000	
11	BRACKET :LCD	0J1415100000	
12	CARD :CPU :X21[A]	0J2306600A10	
13	LITHIUM BATTERY :XC[A]	645300490A01	
14	SPACER :HEXAGON :L20 :M3 :UNDER HEAD 3MM	644501750000	
15	BRACKET :USB CONNECTOR CARD	0J1415400000	
16	CARD :USB CONNECTOR	0J3200800000	
17	COVER :USB	0J1408500000	
18	CARD :CAPACITOR	0J3502600010	
19	SPACER :HEXAGON	644500880000	
20	SUPPORT :CARD BASE	0J1406500020	
21	CARD :I/F CONNECTOR	0J3200700010	
22	SPACER :HEXAGON	644500300000	
23	SUPPORT :PANEL BASE	0J1406600020	
24	BASE :OPERATION PANEL[S]	0J1405000S00	
25	DUST CAP :LAN	644501460000	
26	DUST CAP :USB	644500490000	
27	HOLDER :OPERATION PANEL	030221040000	
28	CLAMP :CONTROLLER HOLDER[S]	030220870S00	
29	PIPE :CONTROLLER	030210410010	
30	KNOBBED SCREW :NO.2 :M5*9[S]	511F05120S00	
31	SWITCH :EMERGENCY STOP[A]	0J0603900A00	
32	BASE :EMERGENCY STOP SWITCH[S]	030230170S10	
33			
34			
35			
36			
37			
38			
39			
40			
41			
42			
43			
44			
45			
46			
47			
48			
49			
50			

Note: As for parts with mark @, please follow our instructions on Table of Contents in your parts order.

(YK07)

# A, B

No.	Part No.	Remark	No.	Part No.	Remark
<b>A Flat Fillister Head Screw</b>			B17	S120031502TD	M3*15
A1	SA41730351CN	1/8*44*3.5	B18	S120031501TN	M3*15
A2	SA41730501CN	1/8*44*5	B19	S120031601TN	M3*16
A3	SA41730551CN	1/8*44*5.5	B20	S120031801TN	M3*18
A4	SA41730601CN	1/8*44*6	B21	S120032003TD	M3*20
A5	SA41740301CN	9/64*40*3	B22	S120032001TN	M3*20
A6	SA41740402CN	9/64*40*4	B23	S120032501TN	M3*25
A7	SA41740401SA	9/64*40*4	B24	S120033001TN	M3*30 Half Threads
A8	SA41740403CL	9/64*40*4	B25	S120040501TD	M4*5
A9	SA41740404CN	9/64*40*4	B26	S120040502TN	M4*5
A10	SA41740501CN	9/64*40*5	B27	S120040602TD	M4*6
A11	SA41740601CN	9/64*40*6	B28	S120040601TN	M4*6
A12	SA41740602CN	9/64*40*6	B29	S120040801TD	M4*8
A13	SA41740701CN	9/64*40*7	B30	S120040802TN	M4*8
A14	SA41740801CN	9/64*40*8	B31	S120041001TD	M4*10
A15	SA41740802CN	9/64*40*8	B32	S120041002TN	M4*10
A16	SA41740803CN	9/64*40*8	B33	S120041201TD	M4*12
A17	SA41741001CN	9/64*40*10	B34	S120041202TN	M4*12
A18	SA41741202CN	9/64*40*12	B35	S120041401TN	M4*14
A19	SA41741501CN	9/64*40*15	B36	S120041502TD	M4*15
A20	SA41750431TN	11/64*40*4.3	B37	S120041501TN	M4*15
A21	SA41750701CN	11/64*40*7	B38	S120041601TN	M4*16
A22	SA41750751CN	11/64*40*7.5	B39	S120041801TN	M4*18
A23	SA41750901SH	11/64*40*9	B40	S120042002TD	M4*20
A24	SA41751151CN	11/64*40*11.5	B41	S120042001TN	M4*20
A25	SA41751201CN	11/64*40*12	B42	S120042502TD	M4*25
A26	S141030801SC	M3*8	B43	S120042501TN	M4*25
A27	S141030802SD	M3*8	B44	S120042504TN	M4*25 Half Threads
A28	S141031001CC	M3*10	B45	S120043001TN	M4*30
A29	S141041001SC	M4*10	B46	S120043502TD	M4*35
A30	SA41740653TB	9/64*40*6.5	B47	S120043501TN	M4*35
A31	SA41741401CN	9/64*40*14	B48	S120044001TN	M4*40
			B49	S120044501TN	M4*45
<b>B Hexagon Socket Head Cap Screw</b>			B50	S120050601TN	M5*6
B1	S120020801TD	M2*8	B51	S120050801TD	M5*8
B2	S120021001TD	M2*10	B52	S120050802TN	M5*8
B3	S120480501TN	M2.6*5	B53	S120051001TD	M5*10
B4	S120030301TN	M3*3	B54	S120051002TN	M5*10
B5	S120030401TN	M3*4	B55	S120051004TP	M5*10
B6	S120030502TD	M3*5	B56	S120051201TD	M5*12
B7	S120030501TN	M3*5	B57	S120051202TN	M5*12
B8	S120030601TD	M3*6	B58	S120051401TN	M5*14
B9	S120030602TN	M3*6	B59	S120051501MZ	M5*15
B10	S120030804MZ	M3*8	B60	S120051502TD	M5*15
B11	S120030801TD	M3*8	B61	S120051503TN	M5*15
B12	S120030802TN	M3*8	B62	S120051601TN	M5*16
B13	S120031001TD	M3*10	B63	S120051801TN	M5*18
B14	S120031002TN	M3*10	B64	S120052001TD	M5*20
B15	S120031203TD	M3*12	B65	S120052002TN	M5*20
B16	S120031201TN	M3*12	B66	S120052201TN	M5*22

# B

No.	Part No.	Remark	No.	Part No.	Remark
<b>B</b>	<b>Hexagon Socket Head Cap Screw</b>		B116	S120102002TD	M10*20
B67	S120052301TN	M5*23	B117	S120102001TN	M10*20
B68	S120052501TN	M5*25	B118	S120102501TN	M10*25
B69	S120053001TN	M5*30	B119	S120103001TN	M10*30
B70	S120053503TD	M5*35	B120	S120103501TN	M10*35
B71	S120053501TN	M5*35	B121	S120104001TN	M10*40
B72	S120053502TN	M5*35 Half Threads	B122	S120123001TN	M12*30
B73	S120054001TN	M5*40	B123	S120123501TN	M12*35
B74	S120054501TN	M5*45	B124	S120081801TN	M8*18
B75	S120055001TN	M5*50	B125	S120470501TN	M2.5*5
B76	S120055002TN	M5*50 Half Threads	B126	S120052502TD	M5*25
B77	S120055501TN	M5*55	B127	S120030302TD	M3*3
B78	S120056001TN	M5*60	B128	S120051504TN	M5*15 Low Head
B79	S120056003TN	M5*60 Half Threads	B129	S120031801TD	M3*18
B80	S120060801TN	M6*8	B130	S120052801TN	M5*28
B81	S120060901TN	M6*9	B131	S120044502TN	M4*45 Half Threads
B82	S120061001TN	M6*10	B132	S120081501TD	M8*15
B83	S120061202TD	M6*12	B133	S120051802TD	M5*18
B84	S120061201TN	M6*12	B134	S120470401TN	M2.5*4
B85	S120061501TD	M6*15	B135	S120033003SD	M3*30
B86	S120061502TN	M6*15	B136	S120030402TD	M3*4
B87	S120061801TD	M6*18	B137	S120033002TN	M3*30
B88	S120061802TN	M6*18	B138	S120067502TN	M6*75
B89	S120062001TN	M6*20	B139	S120050501TN	M5*5
B90	S120062501TN	M6*25	B140	S120082001TD	M8*20
B91	S120063001TN	M6*30	B141	S120086002TD	M8*60
B92	S120063501TN	M6*35	B142	S120062002TD	M6*20
B93	S120064001TN	M6*40	B143	S120043503TD	M4*35 Half Threads
B94	S120064501TN	M6*45	B144	S120044003TN	M4*40 Half Threads
B95	S120064502TN	M6*45 Half Threads	B145	S120030605TD	M3*6 Low Head
B96	S120065001TN	M6*50 Half Threads	B146	S120042202TD	M4*22
B97	S120066501TN	M6*65	B147	S120062502TD	M6*25
B98	S120067501TN	M6*75 Half Threads	B148	S120045501TN	M4*55 Half Threads
B99	S120068001TN	M6*80 Half Threads	B149	S120123001TD	M12*30
B100	S12006A001TN	M6*100	B150	S120034001TN	M3*40
B101	S120081201TN	M8*12	B151	S120035001TN	M3*50
B102	S120081502TN	M8*15	B152	S120470502TD	M2.5*5
B103	S120081503TP	M8*15	B153	S120081202TD	M8*12
B104	S120081601TN	M8*16	B154	S120042201TN	M4*22
B105	S120082001TN	M8*20	B155	S120041802TD	M4*18
B106	S120082502TN	M8*25	B156	S120041602TD	M4*16
B107	S120083001TN	M8*30	B157	S120081504TN	M8*15 With Washer
B108	S120083501TN	M8*35	B158	S120050602TD	M5*6
B109	S120084001TN	M8*40	B159	S120045001TD	M4*50
B110	S120084002TN	M8*40 Half Threads	B160	S120044002TD	M4*40
B111	S120084501TN	M8*45	B161	S120082501TD	M8*25
B112	S120084502TN	M8*45 Half Threads	B162	S120040603SC	M4*6 Extra Low Head
B113	S120085001TN	M8*50	B163	S120470301TN	M2.5*3
B114	S120086001TN	M8*60	B164	S120031401TN	M3*14
B115	S120087001TN	M8*70	B165	S123040601TD	M4*6 With Flange

# B, C, D, E

No.	Part No.	Remark	No.	Part No.	Remark
<b>B Hexagon Socket Head Cap Screw</b>			<b>D Round Fillister Head Screw</b>		
B166	S123040603MZ	M4*6 With Flange	D1	SA43740401CL	9/64*40*4
B167	S123040801TN	M4*8 With Flange	D2	SA43740501CL	9/64*40*5
B168	S123050601MZ	M5*6 With Flange	D3	SA43740502CN	9/64*40*5
B169	S123050801MZ	M5*8 With Flange	D4	SA43740503CN	9/64*40*5
B170	S123051001MZ	M5*10 With Flange	D5	SA43740504CN	9/64*40*5
B171	S123051201TD	M5*12 With Flange	D6	SA43740601CL	9/64*40*6
B172	S123051202MZ	M5*12 With Flange	D7	SA43740602CN	9/64*40*6
B173	S123060801TD	M6*8 With Flange	D8	SA43740603CL	9/64*40*6
B174	S120053002TD	M5*30	D9	SA43740604CN	9/64*40*6
B175	S120063002TD	M6*30	D10	SA43740682CN	9/64*40*6.8
B176	S120050502TD	M5*5	D11	SA43740801CL	9/64*40*8
B177	S120043002TN	M4*30 Half Threads	D12	SA43740802CN	9/64*40*8
B178	S120020601TN	M2*6	D13	SA43741001CN	9/64*40*10
B179	S120064003TD	M6*40	D14	SA43741201CN	9/64*40*12
B180	S120064503TD	M6*45	D15	SA43750601CN	11/64*40*6
B181	S120066502TD	M6*65	D16	SA43750652CN	11/64*40*6.5
			D17	SA43751051CN	11/64*40*10.5
			D18	SA43751201CN	11/64*40*12
<b>C Hexagon Bolt</b>			D19	SA43751501CN	11/64*40*15
C1	S121030601SD	M3*6	D20	SA43812451CN	9/32*28*24.5
C2	S121040801SD	M4*8	D21	S143030501SD	M3*5
C3	S121042501SD	M4*25			
C4	S121051001SD	M5*10	<b>E Pan Head Screw</b>		
C5	S121051502SC	M5*15	E1	S160410141MZ	M1.4*1.4
C6	S121051501SD	M5*15	E2	S160020202MZ	M2*2
C7	S121052001SD	M5*20	E3	S160020301MZ	M2*3
C8	S121061501SC	M6*15	E4	S160020401MZ	M2*4
C9	S121062501TN	M6*25	E5	S160020801MZ	M2*8
C10	S121064501SD	M6*45	E6	S160470301MZ	M2.5*3
C11	S121065001SC	M6*50	E7	S160470402MZ	M2.5*4
C12	S121065002SD	M6*50	E8	S160470501MZ	M2.5*5
C13	S121065501SD	M6*55	E9	S160470801MZ	M2.5*8
C14	S121066501SD	M6*65	E10	S160471301MZ	M2.5*13
C15	S121067501SC	M6*75	E11	S160471302SD	M2.5*13
C16	S121081501TN	M8*15	E12	S160480601SD	M2.6*6
C17	S121081801TN	M8*18	E13	S160030301MZ	M3*3
C18	S121103001TN	M10*30	E14	S160030302SD	M3*3
C19	S121103502SC	M10*35	E15	S160030403CD	M3*4
C20	S121103501TN	M10*35	E16	S160030401MZ	M3*4
C21	S121104001SC	M10*40	E17	S160030402SD	M3*4
C22	S121125001TN	M12*50	E18	S160030501MZ	M3*5
C23	S12112B001TN	M12*110	E19	S160030502SD	M3*5
C24	S121082501TN	M8*25	E20	S160030601MZ	M3*6
C25	S121102501TN	M10*25	E21	S160030603SA	M3*6
C26	S121082202TN	M8*22	E22	S160030602SD	M3*6
C27	S121041001SD	M4*10	E23	S160030801MZ	M3*8
C28	S121040601SD	M4*6	E24	S160030803SA	M3*8
C29	S121061503SD	M6*15	E25	S160030802SD	M3*8
C30	S121051801SD	M5*18	E26	S160031001MZ	M3*10

# E, F

No.	Part No.	Remark	No.	Part No.	Remark
<b>E</b>	<b>Pan Head Screw</b>		E76	S160020501SD	M2*5
E27	S160031003SC	M3*10 Half Threads	E77	S160052501SD	M5*25
E28	S160031002SD	M3*10	E78	S160044001SD	M4*40
E29	S160031101SC	M3*11 Half Threads	E79	S160470403SD	M2.5*4
E30	S160031201MZ	M3*12	E80	S160021201SD	M2*12
E31	S160031202SD	M3*12			
E32	S160031401SA	M3*14	<b>F</b>	<b>Countersunk Head Screw</b>	
E33	S160031402SD	M3*14	F1	SA51741001CN	9/64*40*10
E34	S160031501SD	M3*15	F2	SA50750801CN	11/64*40*8
E35	S160031601SD	M3*16	F3	S150020601SD	M2*6
E36	S160031801SD	M3*18	F4	S150030401MZ	M3*4
E37	S160032001SD	M3*20	F5	S150030402SD	M3*4
E38	S160033001SD	M3*30	F6	S150030501MZ	M3*5
E39	S160034002SD	M3*40	F7	S150030502SD	M3*5
E40	S160035001SD	M3*50 Half Threads	F8	S151030601SD	M3*6
E41	S160040401SD	M4*4	F9	S150030601MZ	M3*6
E42	S160040501SD	M4*5	F10	S150030602SD	M3*6
E43	S160040601MZ	M4*6	F11	S150030701SD	M3*7
E44	S160040602SD	M4*6	F12	S151030801SD	M3*8
E45	S160040801SD	M4*8	F13	S150030801MZ	M3*8
E46	S160041001SD	M4*10	F14	S150030804SC	M3*8
E47	S160041201SD	M4*12	F15	S150030802SD	M3*8
E48	S160041501SD	M4*15	F16	S150030803SN	M3*8
E49	S160041801SD	M4*18	F17	S150031002MZ	M3*10
E50	S160043001SD	M4*30	F18	S150031001SD	M3*10
E51	S160045001SD	M4*50	F19	S150031201MZ	M3*12
E52	S160046001SD	M4*60	F20	S150031202SD	M3*12
E53	S160050601SD	M5*6	F21	S150031501MZ	M3*15
E54	S160050701SD	M5*7	F22	S150031601SD	M3*16
E55	S160050801SD	M5*8	F23	S150040501SD	M4*5
E56	S160051002MZ	M5*10	F24	S150040602MZ	M4*6
E57	S160051001SD	M5*10	F25	S150040601SD	M4*6
E58	S160051201SD	M5*12	F26	S150040801MZ	M4*8
E59	S160053001SD	M5*12	F27	S150040802SD	M4*8
E60	S160051501SD	M5*15	F28	S150041001MZ	M4*10
E61	S160054501SD	M5*45	F29	S150041002SD	M4*10
E62	S160055001SD	M5*50	F30	S150041201SD	M4*12
E63	S160056001SD	M5*60	F31	S150041401SD	M4*14
E64	S160047001SD	M4*70	F32	S150041501SD	M4*15
E65	S160480801SD	M2.6*8	F33	S150042001SD	M4*20
E66	S160030504SC	M3*5	F34	S150042201SD	M4*22
E67	S160480602MZ	M2.6*6	F35	S150042501SD	M4*25
E68	S160031403MZ	M3*14	F36	S150050601SD	M5*6
E69	S160042001SD	M4*20	F37	S150050801SD	M5*8
E70	S160044501SD	M4*45	F38	S150051001MZ	M5*10
E71	S160020203SD	M2*2	F39	S150051002SD	M5*10
E72	S160470502SD	M2.5*5	F40	S150051201SD	M5*12
E73	SA60740551TN	9/64*40*5.5	F41	S150051501SD	M5*15
E74	S160431001MZ	M1.7*10	F42	S150053001SD	M5*30
E75	S160043501SD	M4*35	F43	S150053501SD	M5*35

# F, G, H

No.	Part No.	Remark	No.	Part No.	Remark
<b>F</b> Countersunk Head Screw			H23	S130031002SD	M3*10
F44	S150054001SD	M5*40	H24	S130032001SD	M3*20
F45	S150061502SC	M6*15	H25	S130040401MZ	M4*4
F46	S150061503SD	M6*15	H26	S130040401SD	M4*4
F47	S150063501SD	M6*35	H27	S130040501MZ	M4*5
F48	S150081201SD	M8*12	H28	S130040502SD	M4*5
F49	S150087001TN	M8*70	H29	S130040601MZ	M4*6
F50	S150061801SD	M6*18	H30	S130040602SD	M4*6
F51	S150052501SD	M5*25	H31	S130040651SD	M4*6.5
F52	S150040502MZ	M4*5	H32	S130040801MZ	M4*8
F53	S150020301MZ	M2*3	H33	S130040802SD	M4*8
F54	S150020401MZ	M2*4	H34	S130040803MZ	M4*8 JIS
F55	S150480401MZ	M2.6*4	H35	S130041002MZ	M4*10
F56	S150031401SD	M3*14	H36	S130041001SD	M4*10
F57	S150020302MZ	M2*3 0-TYPE 1	H37	S130041201SD	M4*12
			H38	S130041502SD	M4*15
<b>G</b> Round Countersunk Head Screw			H39	S130042001SD	M4*20
G1	SA53730601CL	1/8*44*6	H40	S130050501SD	M5*5
G2	SA53740301CL	9/64*40*3	H41	S130050602MZ	M5*6
G3	SA53740351CL	9/64*40*3.5	H42	S130050601SD	M5*6
G4	SA53740401CL	9/64*40*4	H43	S130050651SD	M5*6.5
G5	SA53740601CL	9/64*40*6	H44	S130050701SD	M5*7
G6	SA53740701CL	9/64*40*7	H45	S130050801MZ	M5*8
G7	SA53740951CL	9/64*40*9.5	H46	S130050802SD	M5*8
G8	SA53741201CL	9/64*40*12	H47	S130051002MZ	M5*10
G9	SA53740681CL	9/64*40*6.8	H48	S130051001SD	M5*10
			H49	S130051201MZ	M5*12
<b>H</b> Truss Head Screw			H50	S130051202SD	M5*12
H1	SA30730701CL	1/8*44*7	H51	S130051501SD	M5*15
H2	SA30740301CL	9/64*40*3.5	H52	S130052001SD	M5*20
H3	SA30740401CL	9/64*40*4	H53	S130052502SD	M5*25
H4	SA31740401CM	9/64*40*4	H54	S130053001SD	M5*30
H5	SA30740601CL	9/64*40*6	H55	S130053501SD	M5*35
H6	SA30740801CL	9/64*40*8	H56	S130060801SD	M6*8
H7	S130470301MZ	M2.5*3	H57	S130061001SD	M6*10
H8	S130470302SD	M2.5*3	H58	S130062201SD	M6*22
H9	S130470401MZ	M2.5*4	H59	S130062501SD	M6*25
H10	S130470402SA	M2.5*4	H60	S130063501SD	M6*35
H11	S130470403SD	M2.5*4	H61	S130064001SD	M6*40
H12	S130030301MZ	M3*3	H62	S130031501SD	M3*15
H13	S130030302SD	M3*3	H63	S130043501SD	M4*35
H14	S130030402SD	M3*4	H64	S130020201SD	M2*2
H15	S130030501MZ	M3*5	H65	S130470501SD	M2.5*5
H16	S130030502SD	M3*5	H66	S130052002MZ	M5*20
H17	S130030601MZ	M3*6	H67	S130054501SE	M5*45
H18	S130030602SD	M3*6	H68	S130050502MZ	M5*5
H19	S130030603SA	M3*6	H69	S130054001SD	M5*40
H20	S130030802SD	M3*8	H70	S130055001SD	M5*50
H21	S130030803SA	M3*8	H71	S130030801MZ	M3*8
H22	S130031001MZ	M3*10	H72	S130052201SD	M5*22



# H, J, K, L, M

No.	Part No.	Remark	No.	Part No.	Remark
<b>H</b>	Truss Head Screw		L16	S170040301TN	M4*3
H73	S130041802MZ	M4*18	L17	S170040401TN	M4*4
H74	S130055501SD	M5*55	L18	S170040501TN	M4*5
H75	S130041202SD	M4*12 JIS	L19	S170040601TN	M4*6
H76	SA30740501CL	9/64*40*5	L20	S170040602TN	M4*6 Half Threads
H77	SA30741001CL	9/64*40*10	L21	S170040801TN	M4*8
H78	S130041203MZ	M4*12	L22	S170041001TN	M4*10
			L23	S170041201TN	M4*12
<b>J</b>	Round Head Screw		L24	S170050401TN	M5*4
J1	S162020301MZ	M2*3	L25	S170050501TN	M5*5
J2	S162030801SD	M3*8	L26	S170050601TN	M5*6
J3	S162030802SE	M3*8	L27	S170050801TN	M5*8
J4	S162031001MZ	M3*10	L28	S170051001TN	M5*10
			L29	S170051201TN	M5*12
<b>K</b>	Slotted Set Screw		L30	S170051501TN	M5*15
K1	SA71730351CN	1/8*44*3.5	L31	S170060501TN	M6*5
K2	SA71740601CN	9/64*40*6	L32	S170060601TN	M6*6
K3	SA71750251CN	11/64*40*2.5	L33	S170060801TN	M6*8
K4	SA71750351CN	11/64*40*3.5	L34	S170061001TN	M6*10
K5	SA71750401CN	11/64*40*4	L35	S170061801TN	M6*18
K6	SA71750501CN	11/64*40*5	L36	S170080801TN	M8*8
K7	SA71790501CN	15/64*28*5	L37	S170081001TN	M8*10
K8	SA71791001CN	15/64*28*10	L38	S170081501TN	M8*15
K9	SA71791501CN	15/64*28*15	L39	S170031001TN	M3*10
K10	SA71791701CN	15/64*28*17	L40	S170031201TN	M3*12
K11	SA71800401CN	1/4*40*4	L41	S170053001TN	M5*30
K12	SA71800451CN	1/4*40*4.5	L42	S170061201TN	M6*12
K13	SA71800501CN	1/4*40*5	L43	S174060601TN	M6*6B
K14	SA71800601CN	1/4*40*6	L44	S170050802TN	M5*8 Narrow Treading
K15	SA71800801CN	1/4*40*8	L45	S170050602TN	M5*6 Narrow Treading
K16	SA71811201CN	9/32*28*12	L46	S170031501TN	M3*15
K17	S171050601TN	M5*6	L47	S170061501TN	M6*15
K18	S171030601SD	M3*6	L48	S170080601TN	M8*6
<b>L</b>	Hexagon Socket Head Set Screw		<b>M</b>	Hexagon Socket Head Button Screw	
L1	SA70730251CN	1/8*44*2.5	M1	S124030401SC	M3*4
L2	SA70730301CN	1/8*44*3	M2	S124040601SC	M4*6
L3	SA70750901CN	11/64*28*9	M3	S124040802SC	M4*8
L4	SA70750401CN	11/64*40*4	M4	S124040803SD	M4*8
L5	SA70750601CN	11/64*40*6	M5	S124051001SC	M5*10
L6	SA70750801CN	11/64*40*8	M6	S124051002SD	M5*10
L7	SA70790401CN	15/64*28*4	M7	S124051501SD	M5*15
L8	SA70790901CN	15/64*28*9	M8	S124081201SC	M8*12
L9	S170470301TN	M2.5*3	M9	S124081202SD	M8*12
L10	S170030201TN	M3*2	M10	S124081501SD	M8*15
L11	S170030301TN	M3*3	M11	S124030501SC	M3*5
L12	S170030401TN	M3*4	M12	S124030801SC	M3*8
L13	S170030501TN	M3*5	M13	S124030502TC	M3*5
L14	S170030601TN	M3*6	M14	S124030402SD	M3*4
L15	S170030801TN	M3*8	M15	S124030601SD	M3*6

# M, N, P

No.	Part No.	Remark	No.	Part No.	Remark
<b>M</b>	Hexagon Socket Head Button Screw		N42	S660030803S1	M3*8 (P-4)
M16	S124040401SD	M4*4	N43	S660031201S1	M3*12 (P-3)
M17	S124030602SC	M3*6	N44	S620041001TD	M4*10 Hexagon Socket Head
M18	S124030503SD	M3*5			
M19	S124031002SD	M3*10	<b>P</b> Nut		
M20	S124041001SD	M4*10	P1	SB10730601CN	1/8*44*6*3
M21	S124051201SD	M5*12	P2	SB10740601CL	9/64*40*6*2
			P3	SB10740602CN	9/64*40*6*3
<b>N</b>	Screw with Washer		P4	SB10750602CN	11/64*40*6*2
N1	S660480601SE	M2.6*6	P5	SB10750603CN	11/64*40*6*3
N2	S660030601SE	M3*6	P6	SB10750701CN	11/64*40*7*3
N3	S660030801SE	M3*8	P7	SB11750701CN	11/64*40*7*3
N4	S660031001SE	M3*10	P8	S210420001XA	M1.6 Type 1
N5	S660031501SE	M3*15	P9	S210020001SD	M2 Type 1
N6	S660031601SE	M3*16	P10	S212020002SD	M2 Type 3
N7	S660031801SE	M3*18	P11	S210460002SD	M2.3 Type 1
N8	S660040601SE	M4*6	P12	S210470001MZ	M2.5 Type 1
N9	S660040801SE	M4*8	P13	S212480001SD	M2.6 Type 3
N10	S660041001SE	M4*10	P14	S210030001MZ	M3 Type 1
N11	S660041201SE	M4*12	P15	S210030002SC	M3 Type 1
N12	S660045501SE	M4*55	P16	S210030003SD	M3 Type 1
N13	S660051001SE	M5*10	P17	S215030001SD	M3 Thumbscrew Type 2
N14	S660051201SE	M5*12	P18	S212030001SC	M3 Type 3
N15	S660051401SE	M5*14	P19	S212030002SD	M3 Type 3
N16	S660051801SE	M5*18	P20	S212530001SC	M3.5 Type 3
N17	S660030801MZ	M3*8	P21	S210040001SC	M4 Type 1
N18	S660030502MZ	M3*5	P22	S210040002SD	M4 Type 1
N19	S660031502MZ	M3*15	P23	S212040001SC	M4 Type 3
N20	S660030603S1	M3*6 (P-4)	P24	S212040002SD	M4 Type 3
N21	S660030802S1	M3*8 (P-3)	P25	S217040001SD	M4 Cap
N22	S660030604S1	M3*6 (P-3)	P26	S210050001SC	M5 Type 1
N23	S660031802S1	M3*18 (P-3)	P27	S210050002SD	M5 Type 1
N24	S660040602S1	M4*6 (P-3)	P28	S212050001SC	M5 Type 3
N25	S660040802S1	M4*8 (P-3)	P29	S212050002SD	M5 Type 3
N26	S660041002S1	M4*10 (P-3)	P30	S217050001SD	M5 Cap
N27	S660043001S1	M4*30 (P-3)	P31	S210060001SC	M6 Type 1
N28	S660051002S1	M5*10 (P-3)	P32	S210060002SC	M6 Type 1 (Left)
N29	S660031803S1	M3*18 (P-4)	P33	S210060003SD	M6 Type 1
N30	S660030505S1	M3*5 (P-4)	P34	S210060004SD	M6 Type 1 (Left)
N31	S660031504S1	M3*15 (P-4)	P35	S212060001SC	M6 Type 3
N32	S660031002S1	M3*10 (P-4)	P36	S210080001SC	M8 Type 1
N33	S660040803S1	M4*8 (P-4)	P37	S210080002SD	M8 Type 1
N34	S660030504S1	M3*5 (P-3)	P38	S212080001SC	M8 Type 3
N35	S660020401S1	M2*4 (P-4)	P39	S212080002SD	M8 Type 3
N36	S660031505S1	M3*15 (P-3)	P40	S210100001SC	M10 Type 1
N37	S660041202S1	M4*12 (P-3)	P41	S213100002SD	M10 With Flange
N38	S660480401S1	M2.6*4 (P-4)	P42	S213100003SD	M10 With Disk Spring
N39	S660031003S1	M3*10 (P-3)	P43	S210120001SC	M12 Type 1
N40	S660031602S1	M3*16 (P-3)	P44	S212120001SC	M12 Type 3
N41	S660030605S1	M3*6 (P-3) FOR THIN PLATE	P45	S212120002SD	M12 Type 3

# P, R

No.	Part No.	Remark	No.	Part No.	Remark
<b>P</b>	<b>Nut</b>		R27	S301051203SD	Plain M5*12*t0.8
P46	S210160001SD	M16 Type 1	R28	S301061102SC	Plain M6*11*t1.6
P47	S212160002SC	M16 Type 1	R29	S301061151SC	Plain M6*11.5*t0.8
P48	S212160001SD	M16 Type 3	R30	S301061301SC	Plain M6*13*t1.0
P49	S210200001SC	M20 Type 1	R31	S301061302SD	Plain M6*13*t1.0
P50	S212470001SC	M2.5 Type 3	R32	S301061601SC	Plain M6*16*t1.0
P51	SB12750701SC	11/64*7*2.2 Type 3	R33	S301081601SD	Plain M8*16*t1.2
P52	S211040001SD	M4 Type 2	R34	S301081801SC	Plain M8*18*t1.6
P53	SB12740601MZ	9/64*6*2 Type 3	R35	S301081802SD	Plain M8*18*t1.6
P54	SB10750601CN	11/64*6*2.2	R36	S301081803SC	Plain M8*18*t3.2
P55	S212030003SD	M3 Type 3	R37	S301082201SC	Plain M8*22*t3.2
P56	S217060001SD	M6 Cap	R38	S301102201SC	Plain M10*22*t1.6
P57	S217030001SD	M3 Cap	R39	S301102601SC	Plain M10*26*t3.2
P58	S212200001SC	M20 Type 3	R40	S301102602SD	Plain M10*26*t3.2
P59	S212160002SC	M16 Type 3	R41	S301122051SC	Plain M12*20.5*t2
P60	SB10750702CN	11/64*7*2.2	R42	S301163201SD	Plain M16*32*t2.5
P61	SB10740605CN	9/64*40*6*1.5	R43	S402020001KD	Spring M2
P62	S213080002SD	M8 With Flange	R44	S402480001KC	Spring M2.6
P63	S213080001SD	M8 With Disk Spring	R45	S402030001KC	Spring M3
P64	S212100001SC	M10 Type 3	R46	S402030002KD	Spring M3
P65	S212060003SD	M6 Type 3	R47	S402530001KC	Spring M3.5
P66	S213040001SD	M4 With Flange	R48	S402040001KC	Spring M4
			R49	S402040002KD	Spring M4
<b>R</b>	<b>Washer</b>		R50	S402050001KC	Spring M5
R1	S301410301MZ	Plain M1.4*3*t0.3	R51	S402050002KD	Spring M5
R2	S301020351XZ	Plain M2*3.5*t0.5	R52	S402050003MZ	Spring M5
R3	S301020431SD	Plain M2*4.3*t0.3	R53	S402060001KC	Spring M6
R4	S301480501XB	Plain M2.6*5*t0.5	R54	S402060002KD	Spring M6
R5	S301480751XB	Plain M2.6*7.5*t0.5	R55	S402080001KC	Spring M8
R6	S301030602XZ	Plain M3*6*t0.3	R56	S402080002KD	Spring M8
R7	S301030603SC	Plain M3*6*t0.5	R57	S402100001KC	Spring M10
R8	S301030601SD	Plain M3*6*t0.5	R58	S402100002KD	Spring M10
R9	S301030701SD	Plain M3*7*t0.5	R59	S402120001KC	Spring M12
R10	S301030804SD	Plain M3*8*t0.3	R60	S305041101TP	Wave M4
R11	S301030805MZ	Plain M3*8*t0.5	R61	S305051001TN	Wave M5
R12	S301030801SC	Plain M3*8*t0.5	R62	S305061051TN	Wave M6
R13	S301030802SD	Plain M3*8*t0.5	R63	S304040851TP	With teeth M4
R14	S301030803SD	Plain M3*8*t1	R64	S304051001TP	With teeth M5
R15	S301040805SC	Plain M4*8*t0.5	R65	S306080001SC	Slant M8
R16	S301040802SD	Plain M4*8*t0.5	R66	S303040801SC	Disk Spring M4
R17	S301040804SC	Plain M4*8*t0.8	R67	S301041005EZ	Plain M4*10*t0.8
R18	S301040803SD	Plain M4*8*t0.8	R68	S301470252MZ	Plain M2.5*5*t0.5
R19	S301041004MZ	Plain M4*10*t0.8	R69	S301030605SD	Plain M3*6*t1.0
R20	S301041002SC	Plain M4*10*t0.8	R70	S301030604MZ	Plain M3*6*t0.5
R21	S301041003SD	Plain M4*10*t0.8	R71	S305051101TN	Wave M5
R22	S301041201SC	Plain M4*12*t1	R72	S301470253SD	Plain M2.5*5*t0.5
R23	S301051002SC	Plain M5*10*t0.8	R73	S301470251SC	Plain M2.5*5*t0.5
R24	S301051003SD	Plain M5*10*t0.8	R74	S305101451TN	Wave M10
R25	S301051204MZ	Plain M5*12*t0.8	R75	S304080001TP	With teeth M8
R26	S301051202SC	Plain M5*12*t0.8	R76	S301061152SD	Plain M6*11.5*t0.8





1st Edition    November, 2004  
16th Edition    March, 2020

■ **Manufactured by : TISM Co.,Ltd.**

Address : NO.1800, Ushiyama-cho, Kasugai, Aichi-pref., 486-0901, Japan  
TEL : 81-568-33-1161    FAX : 81-568-33-1191

■ **Distributed by : Tajima Industries Ltd.**

Address : NO.1800, Ushiyama-cho, Kasugai, Aichi-pref., 486-0901, Japan  
TEL : 81-568-37-1130    FAX : 81-568-37-1230

●Copy, reprint, or reform of a part or whole of this manual without permission is prohibited.

