

PARTS LIST

TMCS-VF



Table of Contents

● GENERAL VIEW	
● FRAMING.....	D3-1
● TABLE.....	D3-2
● MAIN SHAFT DRIVE SYSTEM.....	D3-3
● ROTARY HOOK SHAFT TRANSMISSION BOX.....	D3-4
● ROTARY HOOK BASE 1.....	D3-5-1
● ROTARY HOOK BASE 2.....	D3-5-2
● COLOR CHANGE SYSTEM.....	D3-6
● ARM 1.....	D3-7-1
● ARM 2.....	D3-7-2
● ARM 3.....	D3-7-3
● NEEDLE BAR CASE 1.....	D3-8-1
● NEEDLE BAR CASE 2.....	D3-8-2
● SHAFT COVER.....	D3-9
● ATH DRIVE SYSTEM.....	D3-10
● X-AXIS DRIVE SYSTEM 1.....	D3-11-1
● X-AXIS DRIVE SYSTEM 2.....	D3-11-2
● Y-AXIS DRIVE SYSTEM 1.....	D3-12-1
● Y-AXIS DRIVE SYSTEM 2.....	D3-12-2
● Y-AXIS DRIVE SYSTEM 3.....	D3-12-3
● TENSION BASE.....	D3-13
● THREAD STAND.....	D3-14
● EMBROIDERY FRAME.....	D3-15
● BAR SWITCH BOX.....	D3-16
● CONTROLLER BOX.....	D3-17
● ELECTRICAL PARTS.....	D3-18
● OPERATION PANEL.....	D3-19

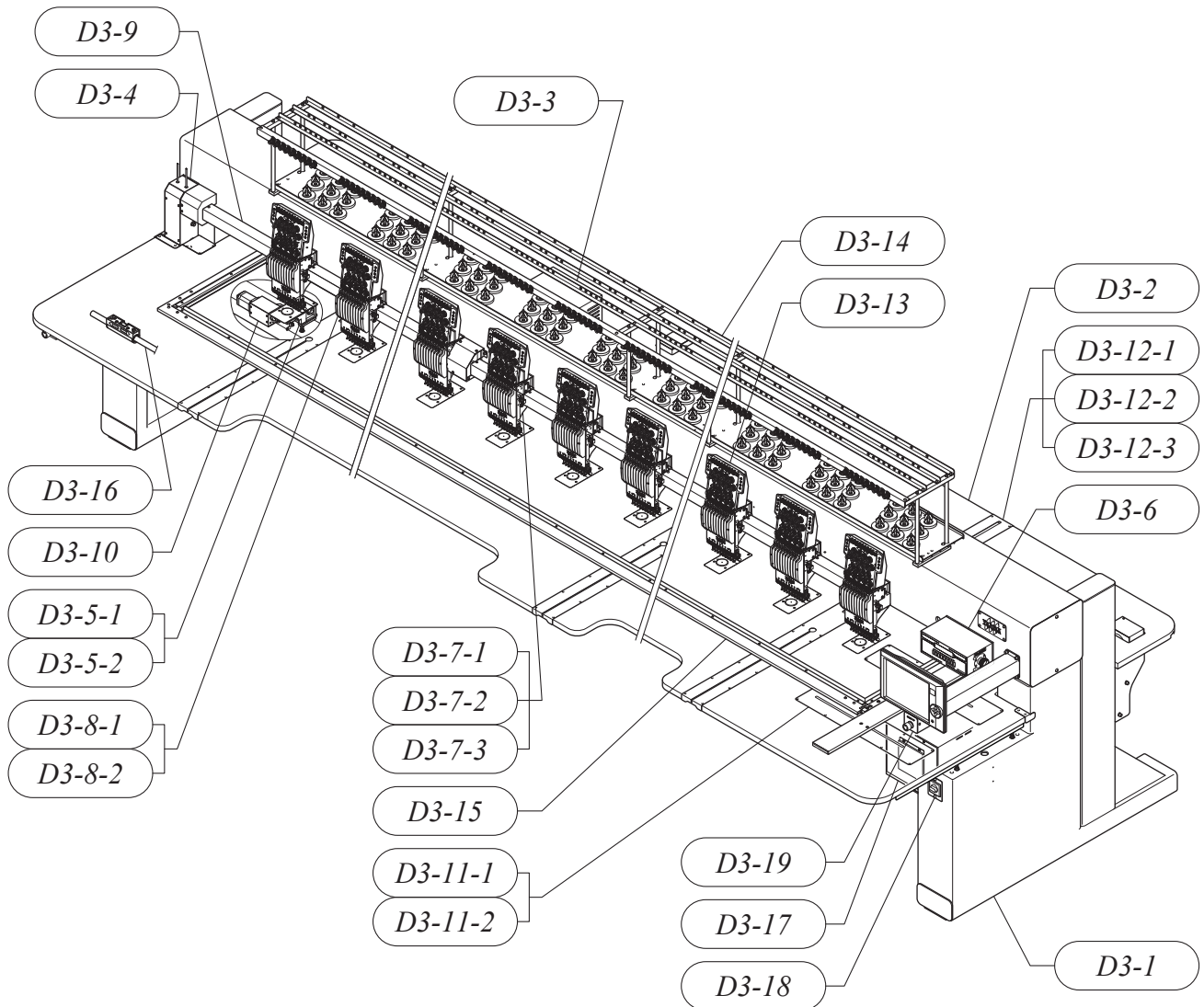
Part Nos. of screws, nuts, washers etc. are listed at the end of volume.

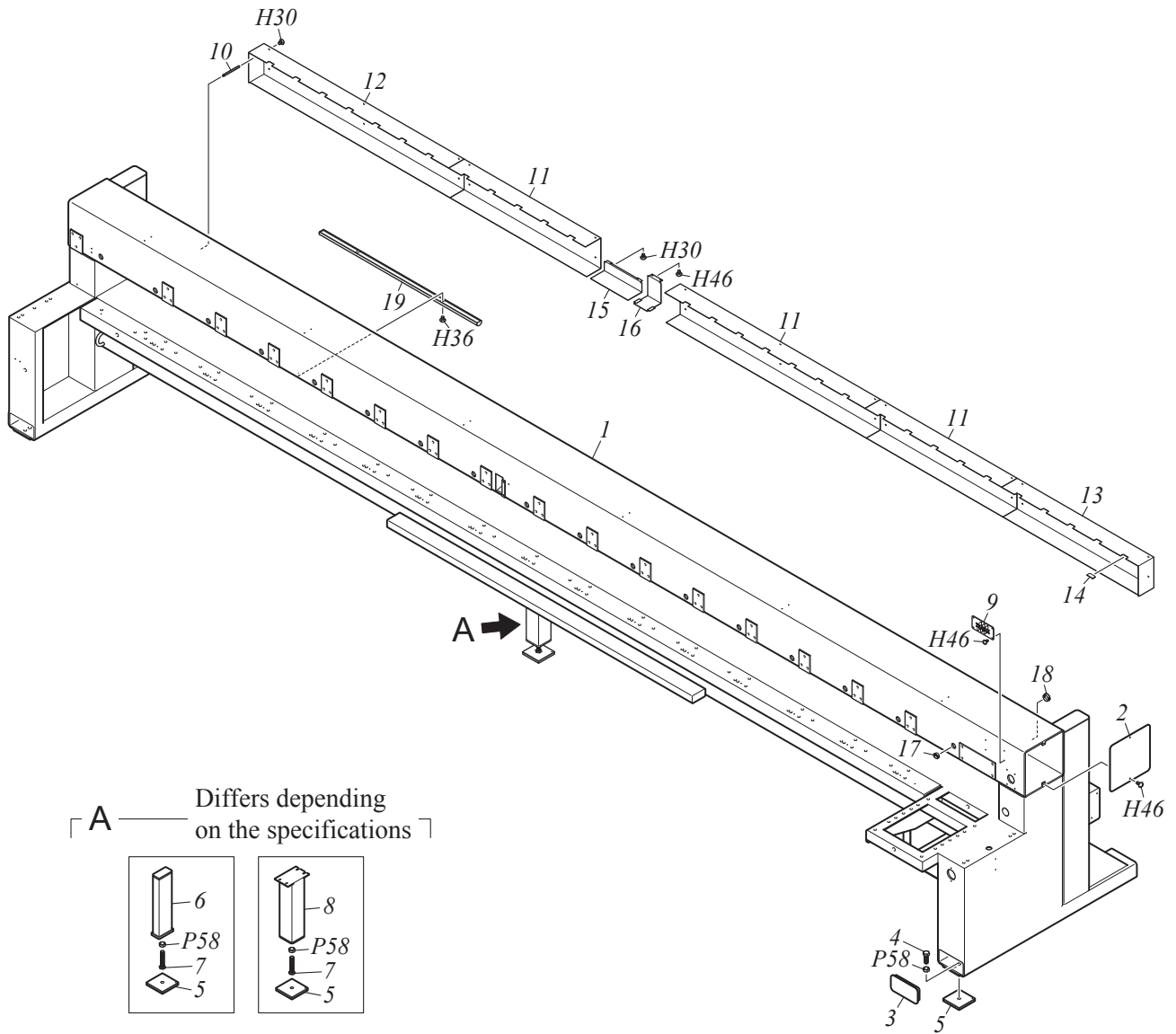
*Regarding the part number that contains description of @, the part differs depending on model, spec. etc.

*When you place an order of such a part, please also inform us of your model, embroidery space and manufacturing number of the machine.

Ex.	TMCS-V0915F	680 x 400S	No.D3901234
	[Model]	[Emb. Space]	[Mfg. No.]

GENERAL VIEW





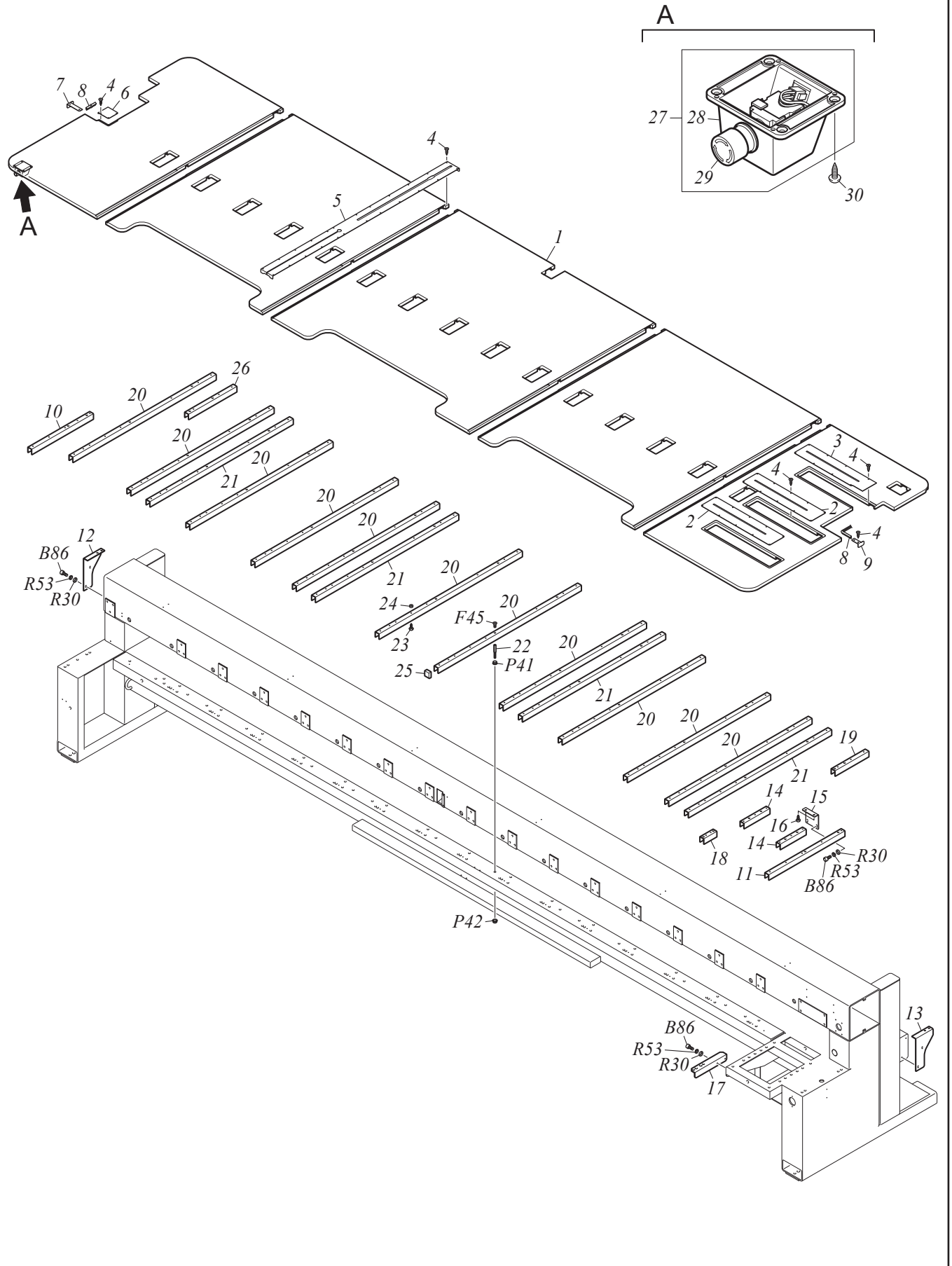
FRAMING

D3-1

No.	Part Name	Part No.	Remark
1	STAND[A]	MD3@@@@@1A10	
2	COVER :SQUARE PIPE	03042009@010	Square Pipe 300*200
2	COVER :SQUARE PIPE	03042012@000	Square Pipe 300*300
3	COVER :STAND BASE :T10	617500030000	
4	LEVELING BOLT :M20*60	030530020000	
5	VIBRATION-PREVENTIVE BASE[S]	03052009@S00	
6	CENTER SUPPORT :NO.1 :FRONT[S]	03051003@S00	G-spec. M/C, 7m M/C
7	LEVELING BOLT :M20*100	030530090000	
8	CENTER SUPPORT :NO.2	43190010@000	8m or larger M/C
9	TAJIMA BRAND NAME PLATE	030710130000	
10	STUD :NO.1 :M6-116	505106090010	
11	WIRING COVER	1BH1000@@000	
12	WIRING COVER :L	1BH2020@@000	
13	WIRING COVER :R	1BH2010@@000	
14	LID :WIRING	030490010000	
15	WIRING HOLDER :MAIN SHAFT MOTOR SECTION	C3021040@010	
16	WIRING HOLDER :MIDDLE REINFORCING SECTION	C3021030@010	8m or larger M/C
17	BUSHING :HARNESS	0J1501100020	
18	BUSHING :HARNESS :B :40MM DIA.	0J15011B0010	
19	LAMP :LED LIGHT :24W/L1200	0J7103600000	
20			
21			
22			
23			
24			
25			
26			
27			
28			
29			
30			
31			
32			
33			
34			
35			
36			
37			
38			
39			
40			
41			
42			
43			
44			
45			
46			
47			
48			
49			

Note: As for parts with mark @, please follow our instructions on Table of Contents in your parts order.

(XL08)



TABLE

D3-2

No.	Part Name	Part No.	Remark
1	TABLE	2D3@@@@@1000	
2	TABLE COVER :NO.4 :A :X	13040001@100	
3	TABLE COVER :NO.4 :B :X	13040014@100	
4	COUNTERSUNK TAPPING SCREW :3P*12	S550031201MZ	
4	COUNTERSUNK TAPPING SCREW :3P*16	S550031601MZ	
5	TABLE COVER :NO.11 :Y450-750	13111023@100	
6	TABLE COVER :N-COUPLING :B	134290110000	
7	GUIDE :FABRIC :B :L	03063006B000	
8	RUBBER BUSHING :TABLE[S]	03063010@S00	
9	GUIDE :FABRIC :A :R	03063006A000	
10	TABLE SUPPORT :NO.1 :L	15012022@070	
11	TABLE SUPPORT :NO.1 :R	15012021@070	
12	TABLE SUPPORT :NO.2 :L	15021007@050	
13	TABLE SUPPORT :NO.2 :R	15021008@050	
14	TABLE SUPPORT :NO.3	15031002@060	
15	TABLE SUPPORT :NO.3	15031004@050	
16	TRUSS HEAD TAPPING SCREW :5P*25	S530052501SD	
17	TABLE SUPPORT :NO.3	15031009@070	
18	TABLE SUPPORT :NO.3 :L	15031032@050	
19	TABLE SUPPORT :NO.4	15042007@070	
20	TABLE SUPPORT :NO.5 :L1384	15052025@070	
21	TABLE SUPPORT :NO.5 :SBC :L :L1384	15052073@000	
22	STUD :NO.1 :M10-50	505110010010	
23	TRUSS HEAD TAPPING SCREW :5P*30	S530053001SD	
24	COLLAR :TABLE SUPPORT :E	15215005E000	
25	CAP :TABLE SUPPORT :47	152150100010	
26	TABLE SUPPORT :NO.6 :L466	15062007@070	
27	SWITCH BOX :EMERGENCY STOP[A]	0J0605700A00	
28	SWITCH BOX :EMERGENCY STOP	030230250000	
29	SWITCH :EMERGENCY STOP[A]	0J0605500A00	
30	TRUSS HEAD TAPPING SCREW :4P*20	S530042001SD	
31			
32			
33			
34			
35			
36			
37			
38			
39			
40			
41			
42			
43			
44			
45			
46			
47			
48			
49			

Note: As for parts with mark @, please follow our instructions on Table of Contents in your parts order.

(WM07)

MAIN SHAFT DRIVE SYSTEM

D3-3

No.	Part Name	Part No.	Remark
1	BRACKET :MAIN MOTOR	040210850000	
2	GUIDE :MAIN MOTOR BASE	040210320000	
3	BASE :MAIN MOTOR :LOWER	040210880000	
4	BASE :MAIN MOTOR :UPPER	040210870000	
5	SERVO MOTOR :1.5KW :MH	0J6302100000	
6	TIMING PULLEY :W35-20	501472020010	
7	TIMING BELT :SPTG :W35-S5M0900/G	623500050000	Square Pipe 300*200
7	TIMING BELT :SPTG :W35-S5M1085/G	623500110000	Square Pipe 300*300
8	TIMING PULLEY :W35-48[S]	501473050S00	
9	STAR LOCK :STL21F18*35	504818010000	
10	BRACKET :NO.2 BEARING CASE :7	040440017000	
11	BEARING CASE :NO.2 :22MM DIA.[S]	508222020S00	
12	BEARING COLLAR :18MM DIA.	502718010010	
13	COVER :MAIN MOTOR[S]	04021086@S10	
14			
15			
16			
17			
18			
19			
20			
21			
22			
23			
24			
25			
26			
27			
28			
29			
30			
31			
32			
33			
34			
35			
36			
37			
38			
39			
40			
41			
42			
43			
44			
45			
46			
47			
48			
49			

Note: As for parts with mark @, please follow our instructions on Table of Contents in your parts order.

(XL08)

ROTARY HOOK SHAFT TRANSMISSION BOX

D3-4

No.	Part Name	Part No.	Remark
1	TRANSMISSION BOX	04011020@000	
2	BRACKET :TRANSMISSION BOX	040120650000	
3	BASE SHAFT :MAIN :A	040120240000	
4	BEARING :60/22ZZ	630200040000	
5	BEARING COLLAR :18MM DIA.	502718010010	
6	TIMING PULLEY :W25-32	501459010000	
7	SPECIAL SCREW :UNBRAKO :KCP :M8*8	690200010000	
8	TIMING BELT :SPTG :W25-S5M0600/G	623400180000	
9	BASE :ANGLE INDICATOR	040120260000	
10	ANGLE INDICATOR	040420230010	
11	BASE SHAFT :ROTARY HOOK	040120570010	
12	BEARING :6004ZZ	630200090000	
13	BEARING COLLAR :15MM DIA.	502715050010	
14	TIMING PULLEY :W25-32	501459030040	
15	FLAT PULLEY :40MM DIA.[S]	501903040S20	
16	STRAIGHT PIN E :TENSION PULLEY	040120640010	
17	SCREW WITH PIN :NO.1 :M8-74.5	513110030010	
18	COVER :HANDLE	04012058@050	
19	LID :HANDLE	04012055@030	
20	POINTER	040120350000	
21	CLEAR PLATE	040120630000	
22	SCREW WITH PIN :NO.1 :M4-93	513104040000	
23	COVER :TRANSMISSION BOX	04012034@000	
24	BASE :SENSOR :WITH SPACER	040360030010	
25	NYLON SADDLE :NS-3/16	644100190000	
26	BRACKET :SENSOR	040360020010	
27	CARD :PHOTO-INTERRUPTER	0J4204500000	
28	ROTATING DETECTING PLATE[S]	040360050S10	
29	BRACKET :BOX :A	040230080010	
30	SHAFT COVER :LEFT-SIDE :B	C30340200000	
31			
32			
33			
34			
35			
36			
37			
38			
39			
40			
41			
42			
43			
44			
45			
46			
47			
48			
49			
50			

Note: As for parts with mark @, please follow our instructions on Table of Contents in your parts order.

(WM05)

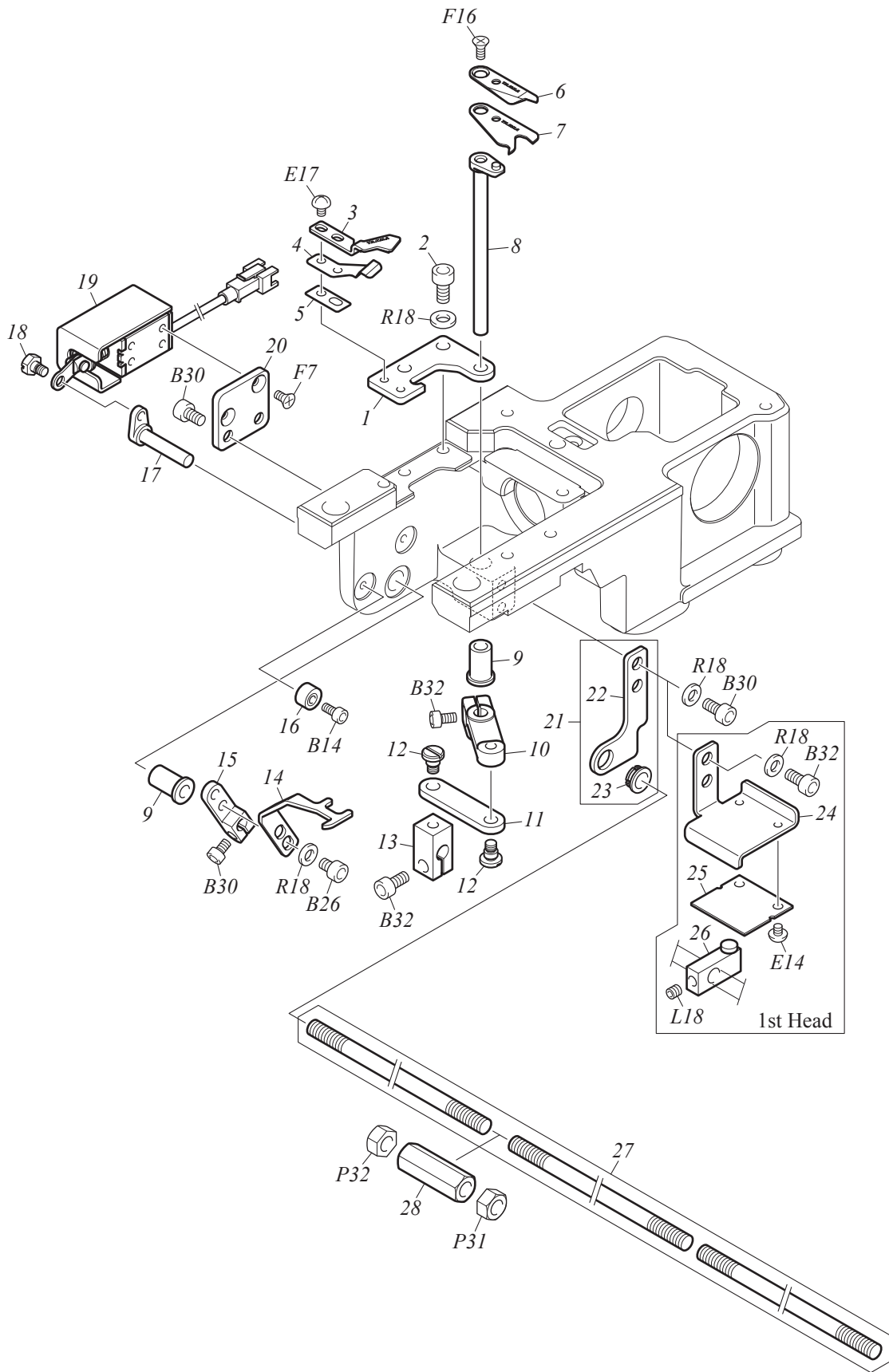
ROTARY HOOK BASE 1

D3-5-1

No.	Part Name	Part No.	Remark
1	ROTARY HOOK BASE :REGULAR ROTARY HOOK :DAMPER/LB	050110200000	
2	COVER :DAMPER	050310150000	
3	DAMPER :ROTARY HOOK BASE[S]	050310130S20	
4	STRAIGHT BOLT :M10*55	511G10010020	
5	BEARING COLLAR :15MM DIA.	502715080000	
6	BEARING :6003ZZ	630200080000	
7	SPIRAL BEVEL GEAR :NO.1 :28T	506528030000	
8	SPIRAL BEVEL GEAR :NO.1 :14T	506514030000	
9	OIL-BUSHING :NO.1 :7.94MM DIA.	509179010000	
10	SHAFT :ROTARY HOOK	050310090010	
11	PLAIN WASHER :7.94*19*T0.8	519108030000	
12	STOPPER COLLAR :7.94MM DIA.	502107010020	
13	ROTARY HOOK :REGULAR ROTARY HOOK KHS12-RYPT2	050210170010	
14	ROTARY HOOK SET SCREW :11/64*7.2	050290020000	
15	BOBBIN :REGULAR ROTARY HOOK	050260010020	
16	BOBBIN CASE :REGULAR ROTARY HOOK :STANDARD	050240150010	
17	ROTARY HOOK SUPPORT :REGULAR ROTARY HOOK	050310170000	
18	FLAT FILLISTER HEAD SCREW :11/64*9	511154030000	
19	NEEDLE PLATE :2MM DIA.	050340090020	
19	NEEDLE PLATE :2.5MM DIA.	050340093000	
19	NEEDLE PLATE :2.5MM DIA./12MM DIA. * DENT 0.7MM	050340620000	Looping measures
20	ROUND COUNTERSUNK HEAD SCREW :11/64*8.4B	511554010000	
21	TOP LID	050310060020	
22	R. H. BASE CONNECTING SHAFT :15MM DIA.	QR7@02@@0010	
23	N-COUPLING :N-15-15	504715010000	
24			
25			
26			
27			
28			
29			
30			
31			
32			
33			
34			
35			
36			
37			
38			
39			
40			
41			
42			
43			
44			
45			
46			
47			
48			

Note: As for parts with mark @, please follow our instructions on Table of Contents in your parts order.

(ZJ06)



ROTARY HOOK BASE 2

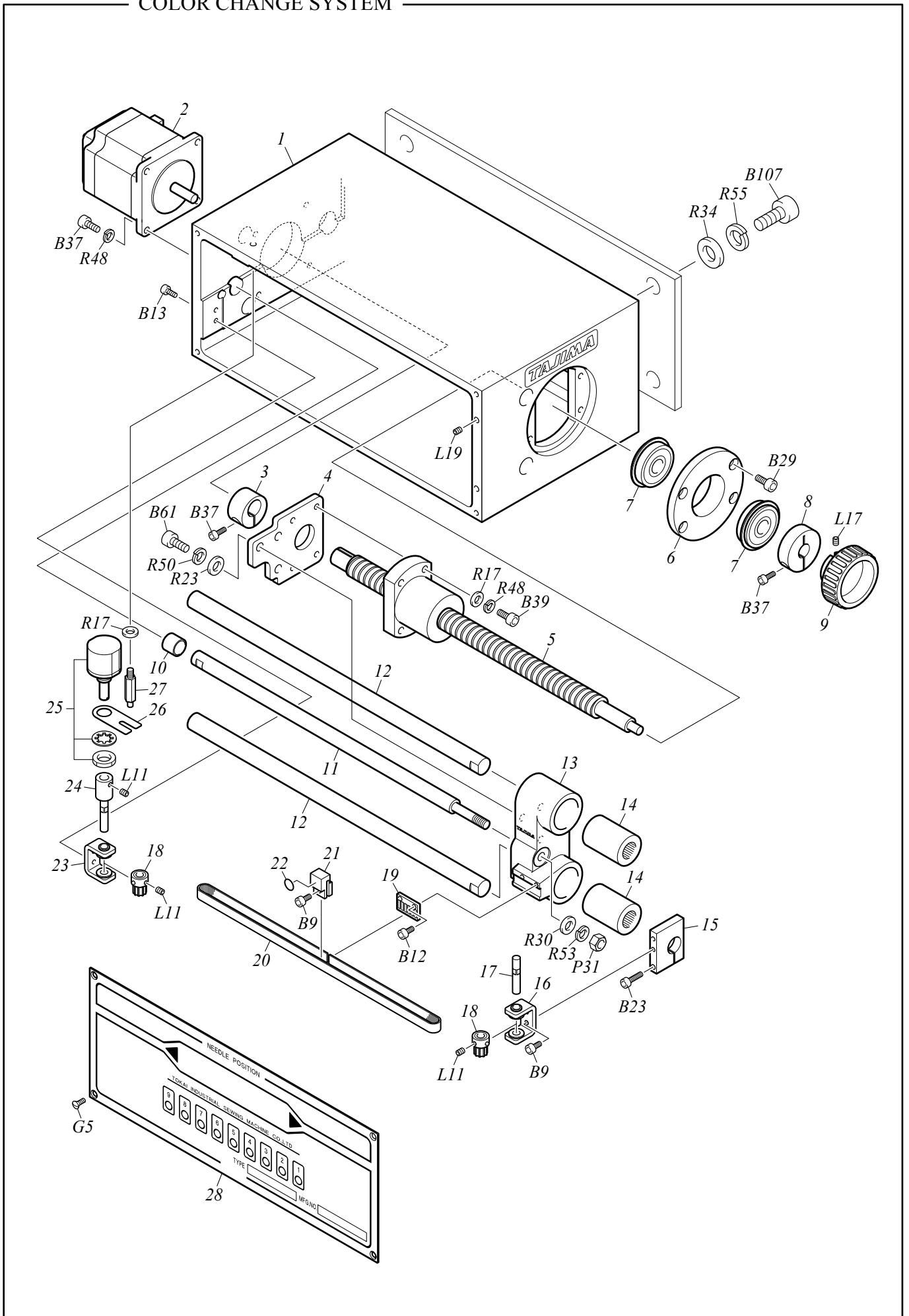
D3-5-2

No.	Part Name	Part No.	Remark
1	BASE :FIXED KNIFE	050320300000	
2	HEXAGON SOCKET HEAD CAP SCREW :11/64*10	511954010000	
3	FIXED KNIFE :REVERSE MOVE 2-BLADE TYPE	050320900030	
4	UNDER THREAD PRESSER :HOOK SEPARATING TYPE	050321420000	
4	UNDER THREAD PRESSER :UBC2	0L0340190000	M/C equipped with SBC
5	SPACER :FIXED KNIFE :T0.05	510100080000	M/C equipped with SBC
6	MOVABLE KNIFE :REVERSE MOVE 2-BLADE TYPE	050320880020	
7	THREAD SEPARATING PLATE :HOOK SEPARATING TYPE	050321430010	
8	SHAFT :MOVABLE KNIFE[S]	050320450S60	
9	OIL-BUSHING :NO.2 :5MM DIA.	509205010000	
10	LEVER :MOVABLE KNIFE	050320680000	
11	CONNECTING PLATE :MOVABLE KNIFE LEVER	050320690000	
12	STEPPED SCREW :NO.1 :M4*6.7	512104100040	
13	CLAMP :ATH ROD	050320390010	
14	PICKER :ROTARY HOOK	050321400020	
15	BRACKET :PICKER	050320230000	
16	DAMPER RING :3MM DIA. E	050320470010	
17	SHAFT :PICKER	050320870000	
18	STEPPED SCREW :NO.1 :9/64*5.5	512153070000	
19	SOLENOID :OPEN FRAME[A]	0J6600200A00	
20	BRACKET :PICKER SOLENOID	050320250000	
21	HOLDER :ATH ROD[A]	050320310A10	
22	HOLDER :ATH ROD	050320310010	
23	SPLIT COLLAR :PRESSER FOOT	090460040030	
24	BRACKET :PROXIMITY SWITCH	050320370010	
25	CARD :MAGNETIC SENSOR A	0J4204400000	
26	MAGNET BLOCK[S]	050320380S10	
27	ATH ROD :6MM DIA.	QR7@05@@0010	
28	SCREW JOINT :M6	504506010010	
29			
30			
31			
32			
33			
34			
35			
36			
37			
38			
39			
40			
41			
42			
43			
44			
45			
46			
47			
48			
49			

Note: As for parts with mark @, please follow our instructions on Table of Contents in your parts order.

(XL05)

COLOR CHANGE SYSTEM



COLOR CHANGE SYSTEM

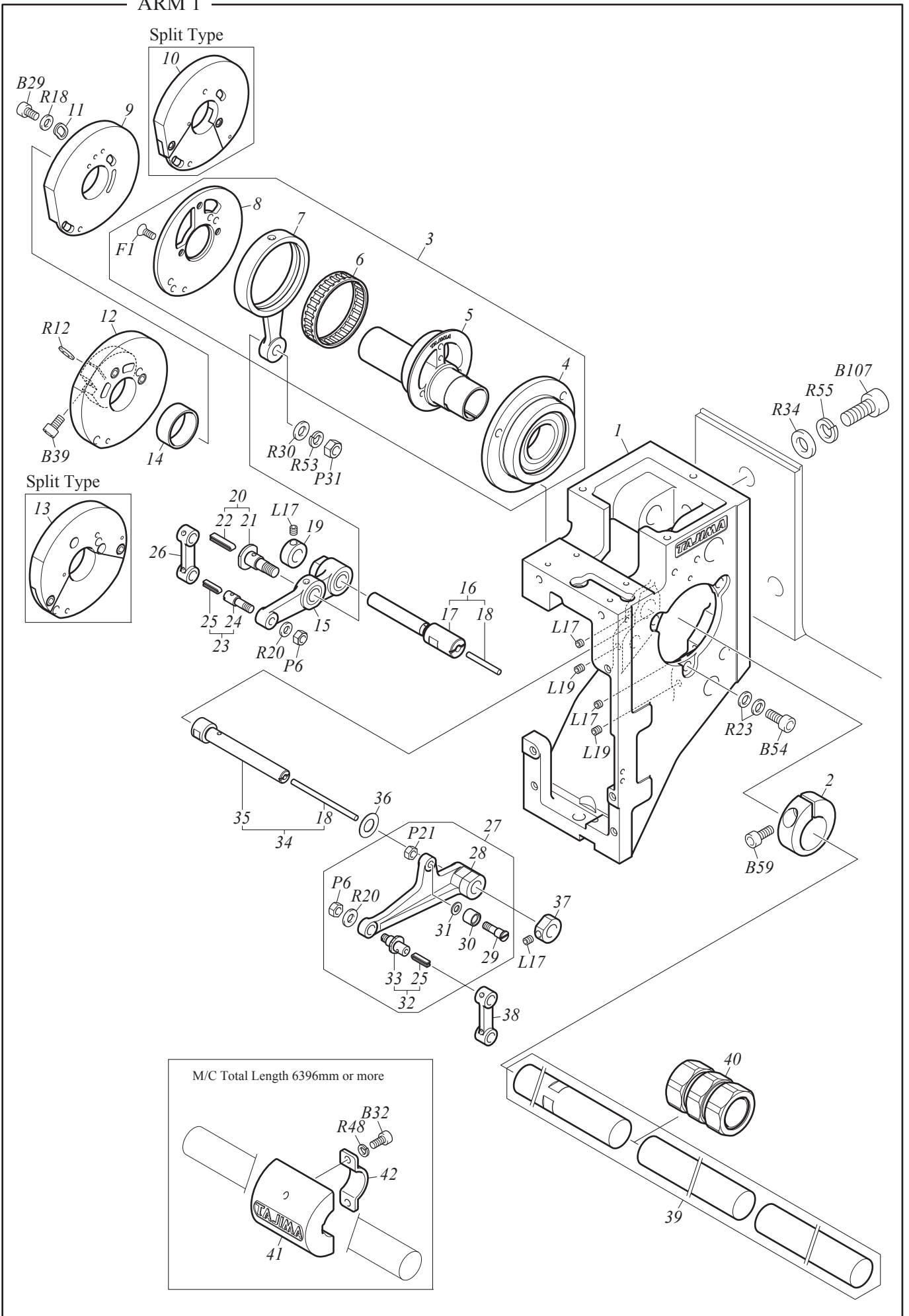
D3-6

No.	Part Name	Part No.	Remark
1	CHANGE BOX :47ST :09-12-NEEDLE	070310031000	
2	PULSE MOTOR :56 SQUARE 54L :WITH SENSOR[A]	0J6110400A00	
3	TIGHTENING COLLAR :12MM DIA.	502212020000	
4	BASE :BALL SCREW	070320140010	
5	BALL SCREW :CHANGE	07032012Y000	
6	BEARING CASE :BALL SCREW	070320080000	
7	BEARING :6200ZZNR	630300050000	
8	TIGHTENING COLLAR :10MM DIA.	502210040000	
9	KNOB :C	08052001C010	
10	OIL-BUSHING :NO.1 :MB1010DU	638100200000	
11	BASE ROD :CHANGE :09	070320189020	
12	GUIDE SHAFT	07032010Y000	
13	DRIVE BLOCK :CHANGE ROD	070320130000	
14	SLIDE BEARING :E-12	662100050000	
15	BRACKET :PULLEY BEARING CASE	070320160000	
16	BEARING CASE :TIMING PULLEY :A[S]	070320010S00	
17	STRAIGHT PIN :NO.2	503102190010	
18	TIMING PULLEY :W6-10	501221010000	
19	BELT CATCHER :S3M	070320050000	
20	TIMING BELT :SPTG :W6-S3M0486/G	621190020000	
21	BASE :NEEDLE POSITION INDICATOR	070320150000	
22	LABEL :NEEDLE POSITION INDICATION :8MM DIA.	690300010010	
23	BEARING CASE :TIMING PULLEY :B[S]	070320020S00	
24	STEPPED PIN :NO.2	503202050010	
25	POTENTIOMETER	640900010001	
26	BRACKET :POTENTIOMETER	0C0420020010	
27	STUD :NO.4 :M4-23	505404010020	
28	MAIN NAME PLATE :TMCS-VF :09-NEEDLE	14D340020000	
29			
30			
31			
32			
33			
34			
35			
36			
37			
38			
39			
40			
41			
42			
43			
44			
45			
46			
47			
48			
49			
50			

Note: As for parts with mark @, please follow our instructions on Table of Contents in your parts order.

(YK11)

ARM 1



ARM 1

D3-7-1

No.	Part Name	Part No.	Remark
1	HEAD :STANDARD	080120070010	
2	TIGHTENING COLLAR :21MM DIA.	502221010010	
3	CAM :NEEDLE BAR[A]	080220010A00	
4	BEARING CASE :NO.2 :22MM DIA.[S]	508222010S00	
5	CAM :NEEDLE BAR	080220010000	
6	NEEDLE CAGE :KT404310NE01B2	634400070001	
7	CONNECTING ROD :51.7	080220040000	
8	BASE :TAKE-UP LEVER CAM	080220400000	
9	CAM :TAKE-UP LEVER :REGULAR ROTARY HOOK	080220060010	
10	CAM :SPLIT TYPE :TAKE-UP LEVER FOR 47 :REGULAR ROTARY HOOK[A]	9A0802700A00	
11	WASHER :CAM	080220180000	
12	CAM :PRESSER FOOT[A]	080220021A20	
13	CAM :PRESSER FOOT :SPLIT TYPE	9A0802400010	
14	COLLAR :NO.1 :21MM DIA.	502521010000	
15	LEVER :NEEDLE BAR[S]	080230050S10	
16	STEPPED PIN :NO.4[S]	503204070S10	
17	STEPPED PIN :NO.4	503204070010	
18	WICK :3P*61	080240230000	
19	STOPPER COLLAR :8MM DIA.	502108020010	
20	STEPPED SCREW :NO.2 :M6*13[S]	512206010S10	
21	STEPPED SCREW :NO.2 :M6*13	512206010010	
22	WICK :3.5*1*34	080240140000	
23	SCREW WITH PIN :NO.3 :11/64-7.7[A]	513354020A10	
24	SCREW WITH PIN :NO.3 :11/64-7.7	513354020010	
25	WICK :2.5*1*22	080240120010	
26	CONNECTING ROD	080230210000	
27	LEVER :DRIVE :PRESSER FOOT :45	U8K000000100	
28	LEVER :PRESSER FOOT[S]	080230140S50	
29	STEPPED SCREW :NO.1 :M4*5.3	512104160020	
30	ROLLER :5*8*5	515105020010	
31	PLAIN WASHER :4*7.5*T0.8	519104060000	
32	SCREW WITH ROLLER PIN :NO.4 :11/64E[S]	514454020S00	
33	SCREW WITH ROLLER PIN :NO.4 :11/64E	514454020000	
34	STEPPED PIN :NO.4[S]	503204030S00	
35	STEPPED PIN :NO.4	503204030020	
36	PLAIN WASHER :8*15*T0.5	519108050000	
37	STOPPER COLLAR :8MM DIA.	502108050010	
38	CONNECTING ROD :26	080230400000	
39	MAIN SHAFT :18MM DIA.	QD3@01010000	
40	N-COUPLING :N-18-18	504718010000	
41	BALANCER	030730030000	
42	HOLDER :BALANCER	030730040000	
43			
44			
45			
46			
47			
48			
49			
50			

Note: As for parts with mark @, please follow our instructions on Table of Contents in your parts order.

(YK11)

ARM 2

D3-7-2

No.	Part Name	Part No.	Remark
1	NEEDLE BAR RECIPROCATOR :GN[A]	080210360A80	
2	NEEDLE BAR RECIPROCATOR[S]	080210270S40	
3	TORSION SPRING :0.7MM DIA.	507307010010	
4	HOLDER :JUMP SPRING	080210110010	
5	PLAIN WASHER :10.3*14*T0.5	519112010000	
6	RECIPROCATING SLIDE BLOCK	080210410050	
7	PLASTIC BUSHING :NO.2 :7.24MM DIA.	509472050020	
8	DAMPER BRACKET :NEEDLE BAR RECIPROCATOR	080210090000	
9	SCREW WITH PIN :NO.3 :11/64-7.9[A]	513354060A20	
10	SCREW WITH PIN :NO.3 :11/64-7.9	513354060020	
11	WICK :2.5*1*22	080240120010	
12	PLAIN WASHER :6*9.5*T0.05-0.5	51910604@020	
13	FLAT FILLISTER HEAD SCREW :9/64*4	511153010010	
14	FELT :14MM DIA.	080240060000	t1
15	FELT :14MM DIA.	080240220000	t3
16	PRESSER FOOT RECIPROCATOR :47MM ST[A]	080210420A20	
17	PRESSER FOOT RECIPROCATOR :47MM ST[S]	080210420S10	
18	DAMPER BRACKET :PRESSER FOOT RECIPROCATOR[S]	080210180S20	
19	NEEDLE BAR DRIVE SHAFT :AUTOMATIC LUBRICATION[S]	0L0210030S10	
20	NEEDLE BAR DRIVE SHAFT :AUTOMATIC LUBRICATION	0L0210030000	
21	WICK :3.5P*158	080240020020	
22	GUIDE :NEEDLE BAR CASE[S]	080250170S20	
23	FELT :NEEDLE BAR DRIVE SHAFT :D	080240170000	
24	SLIDE RAIL :C201-6634A	661100120011	
25	FLAT FILLISTER HEAD SCREW :11/64*9	511154030000	
26	BASE :NEEDLE BAR CASE :47ST :09-NEEDLE	080260219000	
27	TAKE-UP LEVER GUIDE	080280070010	
28	LEVER :TAKE-UP LEVER[S]	080230020S00	
29	LEVER :TAKE-UP LEVER	080230020000	
30	STEPPED SCREW :NO.1 :M4*12.2	512104180000	
31	ROLLER :4.7*7.94*4	515121050020	
32	PLAIN WASHER :4*7.5*T0.8	519104060000	
33	STRAIGHT PIN :NO.1 :8MM DIA.	503101130000	
34	ARM :TAKE-UP LEVER[S]	080230060S00	
35	BEARING BUSHING :NO.1 :8MM DIA.	509508080000	
36	LID :TAKE-UP LEVER SHAFT HOLDER :15.3MM DIA.	080290270000	
37			
38			
39			
40			
41			
42			
43			
44			
45			
46			
47			
48			
49			
50			

Note: As for parts with mark @, please follow our instructions on Table of Contents in your parts order.

(YK09)

ARM 3

D3-7-3

No.	Part Name	Part No.	Remark
1	BRACKET :JUMP MOTOR	080320490000	
2	PULSE MOTOR :42MM SQUARE :DOUBLE-END[T]	0J6110700T10	
3	TORSION SPRING :0.9MM DIA.	507309040020	
4	LEVER :JUMP	080320420010	
5	STEPPED SCREW :NO.1 :11/64*14.7	512154010020	
6	ROLLER :4.7MM DIA.	515110010010	
7	WASHER :4.8*8*T0.8	S301040801KC	
8	DAMPER RING :4MM DIA.	080320410000	
9	LEVER :SEQUIN	0L0431030010	
10	SCREW WITH PIN :NO.1 :9/64-4	513153060010	
11	BASE :CLUTCH LEVER	080320380000	
12	CLUTCH LEVER[S]	080320370S30	
13	STEPPED SCREW :NO.1 :M3*2.8	512203010010	
14	DAMPER RING :3MM DIA. E	050320470010	
15	UPPER THREAD HOLDER[A]	0B0110740A00	
16	SIDE COVER :HEAD :LOWER	080430220000	
17	BASE :HOOK MOTOR	0B0110420000	
18	COLLAR :SPRING GUIDE	502522010010	
19	TORSION SPRING :0.8MM DIA.	507308190010	
20	STEPPED SCREW :NO.1 :9/64*7.5	512153040000	
21	LEVER :HOOK	0B0110470000	
22	CONNECTING PLATE :HOOK	0B0110080010	
23	STEPPED SCREW :NO.1 :M4*6.7	512104100040	
24	SPACER :SLIDE HOOK	0B0110370010	
25	SLIDE :HOOK	0B0110510000	
26	WASHER :2.6*7*T0.5	519204010000	
27	HOOK[S]	0B0110650S10	
28	GUIDE :HOOK	0B0110520020	
29	STEPPED SCREW :NO.1 :9/64*10	512153020000	
30	HEAD COVER :C :L	08043029C000	
31	HEAD FRONT COVER :L	08042002L020	
32	SOLENOID :OPEN FRAME	640600121001	
33	LEVER :SOLENOID	080270010010	
34	TORSION SPRING :0.5MM DIA.	507305020020	
35	COLLAR :NO.1 :3.1MM DIA.	502505010000	
36	LEVER :DRIVE[S]	080270040S20	
37	HEAD FRONT COVER :R	08042002R000	
38	GUIDE PLATE :NEEDLE BAR CASE	080250190020	
39	GUIDE BRACKET :NEEDLE BAR CASE	080250200000	
40	COVER :HOOK	0B0120050000	
41	BASE :BEARING[S]	080290330S20	
42	BASE :BEARING	080290330000	
43	ROLLER PIN[S]	080290040S10	
44	SENSOR ARM	0C0230440000	
45	BASE :CARD	0C0230410010	
46	CARD :TC SENSOR :TCS131	0J2603200000	
47	MINI CLAMP :MB-3	644100200000	
48			
49			
50			

Note: As for parts with mark @, please follow our instructions on Table of Contents in your parts order.

(YK11)

NEEDLE BAR CASE 1

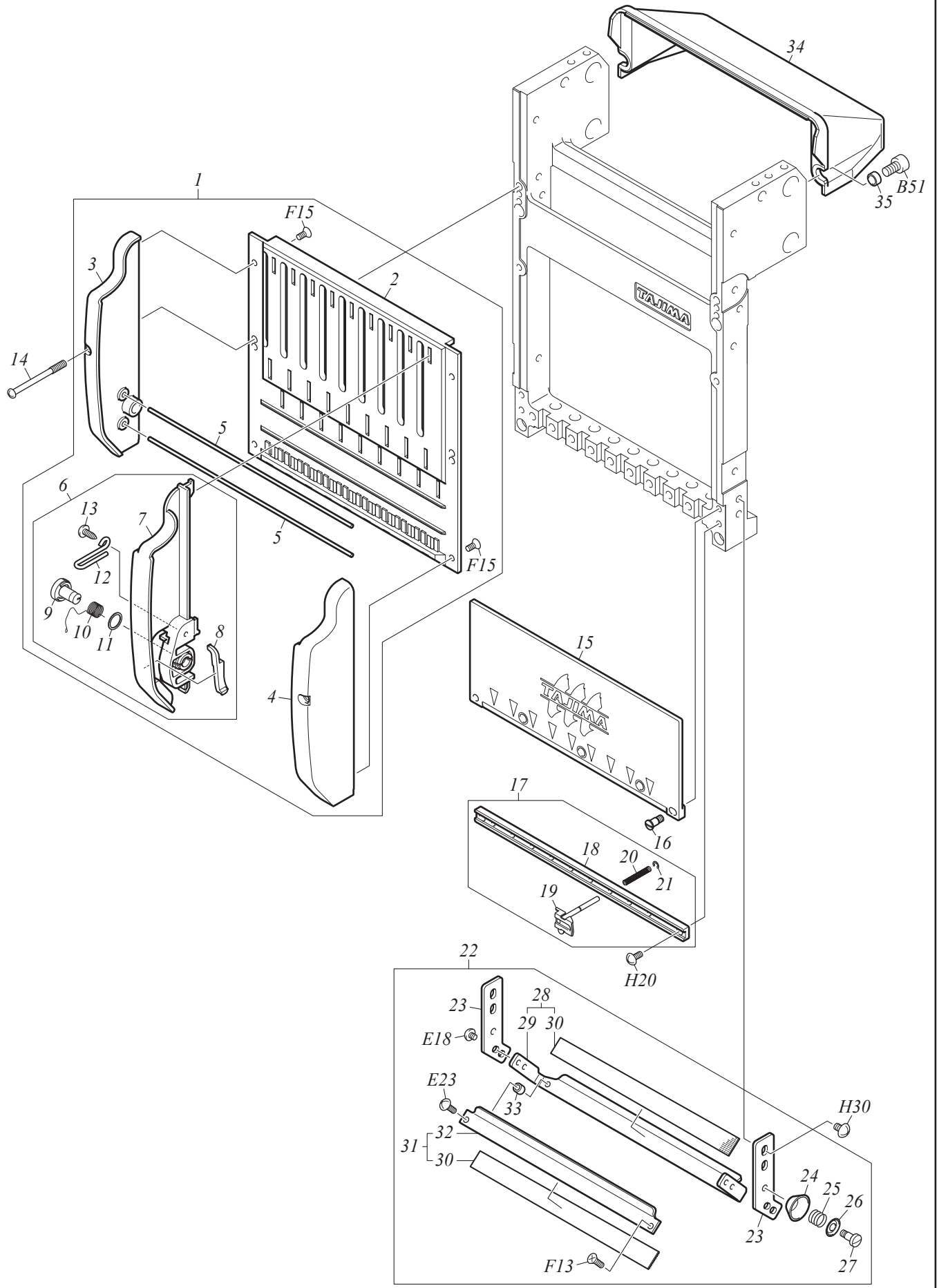
D3-8-1

No.	Part Name	Part No.	Remark
1	NEEDLE BAR CASE :09-NEEDLE	090120019030	
2	NEEDLE BAR	090410020010	
3	COMPRESSION SPRING :0.5MM DIA.	507605030040	
4	FELT PACKING	090430040000	
5	DAMPER RING :F	090430020010	
6	STOPPER :UPPER DEAD POINT	090420090000	
7	FLAT FILLISTER HEAD SCREW :9/64*10.5	511153030000	
8	NEEDLE BAR CONNECTING STUD[A]	090420060A10	
9	COMPRESSION SPRING :0.9MM DIA.	507609060000	
10	PRESSER FOOT :A[A]	09046023AA00	2mm Dia.
10	PRESSER FOOT :A[A]	09046007AA00	3mm Dia. (Thick Thread)
11	PRESSER FOOT CONNECTING STUD	090420020020	
12	PRESSER FOOT[A]	090460230A00	2mm Dia.
12	PRESSER FOOT[A]	090460070A00	3mm Dia. (Thick Thread)
13	PRESSER FOOT	090460230000	2mm Dia.
13	PRESSER FOOT	090460070000	3mm Dia. (Thick Thread)
14	SPLIT COLLAR :PRESSER FOOT	090460040030	
15	FLAT FILLISTER HEAD SCREW :1/8*44	090470020010	
16	DAMPER RING :A	090430070040	
17	NEEDLE CLAMP[S]	090420010S70	
18	SLOTTED HEAD SET SCREW :11/64*6B	511754010010	
19	NEEDLE :DB-K5Z1 #11	616500080000	
20	NEEDLE BAR GUIDE :09-NEEDLE	090450049010	
21	RAIL GUIDE :09-NEEDLE	080270069020	
22	RAIL :CASE :LOWER :09-NEEDLE	090440059000	
23	SPLIT COLLAR :NO.1 :8MM DIA.	502308010010	
24	SPLIT COLLAR :NO.2 :8MM DIA.	502408020010	
25	GUIDE SHAFT :TAKE UP LEVER :09-NEEDLE	090330019000	
26	TAKE-UP LEVER[A]	09031005BA00	
27	TAKE-UP LEVER[S]	09031005BS00	
28	THREAD GUIDE COLLAR :2MM DIA.	51650302B000	
29	BOSS :TAKE-UP LEVER	090310040010	
30	LEVER :STOPPER	090320010000	
31	TORSION SPRING :1MM DIA.	507310040010	
32	SPRING HOOK BAR :09-NEEDLE	090330029000	
33	BRACKET :CHANGE ROD	0N2570010000	
34	POSITIONING COLLAR :NEEDLE BAR CASE	0N2570030000	
35	CHANGE ROD :6MM DIA.	QR2@04@@@000	
36	SCREW JOINT :M6	504506010010	
37			
38			
39			
40			
41			
42			
43			
44			
45			
46			
47			

Note: As for parts with mark @, please follow our instructions on Table of Contents in your parts order.

(ZJ06)

NEEDLE BAR CASE 2



NEEDLE BAR CASE 2

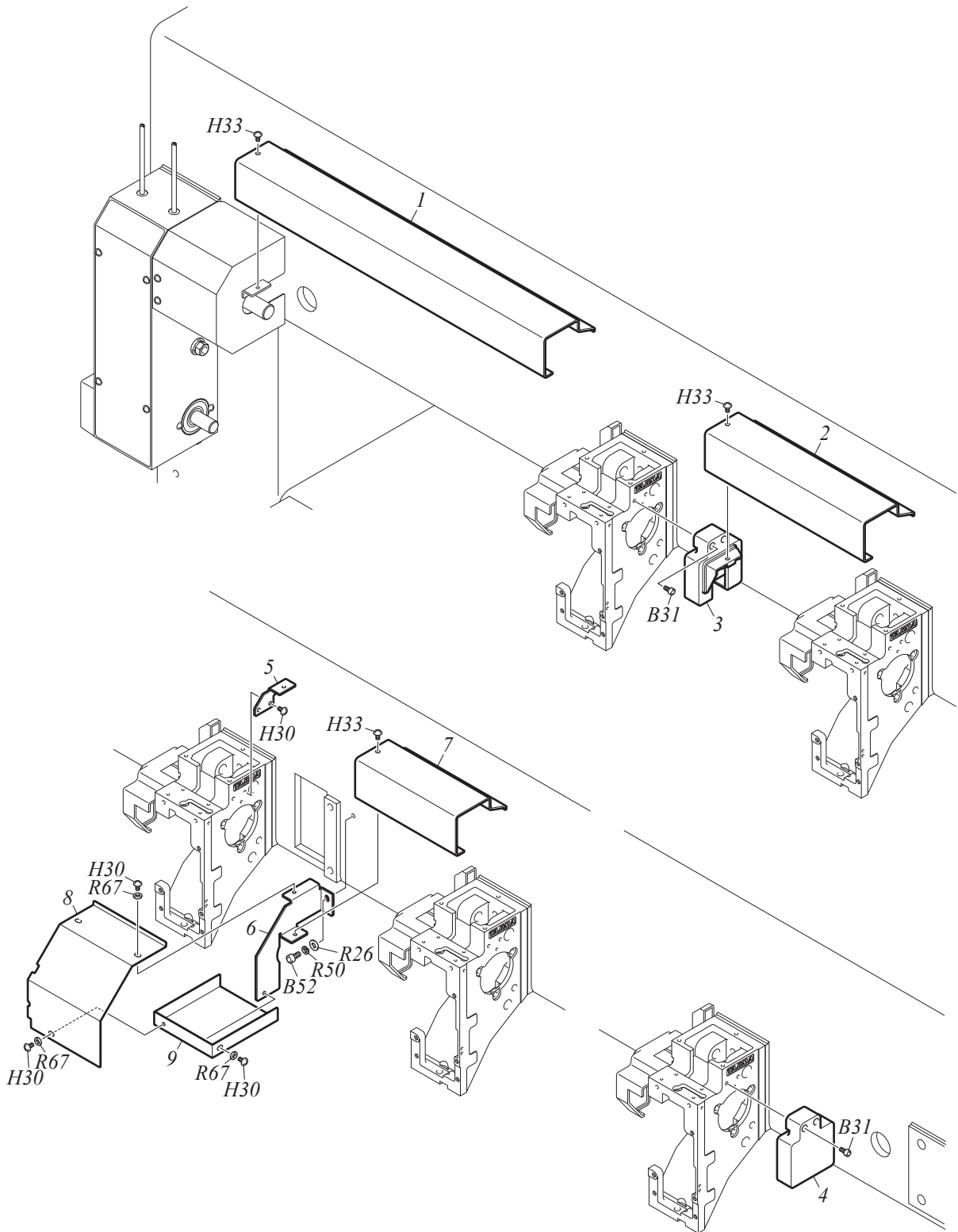
D3-8-2

No.	Part Name	Part No.	Remark
1	TOP COVER :09-NEEDLE[A]	090530239A10	
2	TOP COVER :09-NEEDLE	090530239000	
3	SIDE COVER :L	09053019L000	
4	SIDE COVER :R	09053019R000	
5	STRAIGHT PIN :2MM DIA. :09-NEEDLE	090210549000	
6	BASE :MIDDLE THREAD GUIDE :0.4MM DIA.[A]	090210511A10	
6	BASE :MIDDLE THREAD GUIDE :0.5MM DIA.[A]	090210512A10	Thick Thread
7	BASE :MIDDLE THREAD GUIDE	090210510010	
8	SIDE WALL PLATE :MIDDLE THREAD GUIDE	090210500010	
9	SPRING SHAFT :THREAD TAKE-UP SPRING	090210520000	
10	THREAD TAKE-UP SPRING :NO.2 :0.4MM DIA.	507204030010	
10	THREAD TAKE-UP SPRING :NO.2 :0.5MM DIA.	507205030000	Thick Thread
11	PLAIN WASHER :8*10*T0.5	519108110000	
12	LARGE THREAD HOLDER	090210530000	
13	TRUSS HEAD TAPPING SCREW :3P*12	S530031201SD	
14	PAN HEAD SCREW :9/64*40	511353020000	
15	FACE COVER :NEEDLE BAR CASE :09-NEEDLE	090510169000	
16	STEPPED SCREW :NO.1 :9/64*8.8	512153150000	
17	UPPER THREAD LOCK :09-NEEDLE[A]	080270059A10	
18	BASE :UPPER THREAD LOCK :09-NEEDLE	080270059000	
19	LOCK SHAFT[S]	080270030S10	
20	COMPRESSION SPRING :0.3MM DIA.	507603040030	
21	E-RING :1.5MM DIA.	611100040000	
22	UPPER THREAD HOLDER :09-NEEDLE[A]	0B0200369A10	
23	BRACKET :UPPER THREAD HOLDER	0B0200010000	
24	THREAD SUSPENDER DISK	0B0200050000	
25	COMPRESSION SPRING :0.3MM DIA.	507603020010	
26	PRESSER :THREAD SUSPENDER SPRING	0B0200060000	
27	STEPPED SCREW :NO.1 :9/64*7.5	512153040000	
28	BASE :UPPER THREAD HOLDER :09-NEEDLE[S]	0B0200099S10	
29	BASE :UPPER THREAD HOLDER :09-NEEDLE	0B0200099000	
30	HOOK AND LOOP FASTENERS :W13 :L135	0B0200629000	
31	UPPER THREAD HOLDER :09-NEEDLE[S]	0B0200369S10	
32	UPPER THREAD HOLDER :09-NEEDLE	0B0200369000	
33	COLLAR :NO.1 :3MM DIA.	502503070010	
34	TOP COVER :TAKE-UP LEVER :09-NEEDLE	090520159000	
35	COLLAR :NO.1 :5.2MM DIA.	502552010000	
36			
37			
38			
39			
40			
41			
42			
43			
44			
45			
46			
47			
48			

Note: As for parts with mark @, please follow our instructions on Table of Contents in your parts order.

(ZJ01)

SHAFT COVER



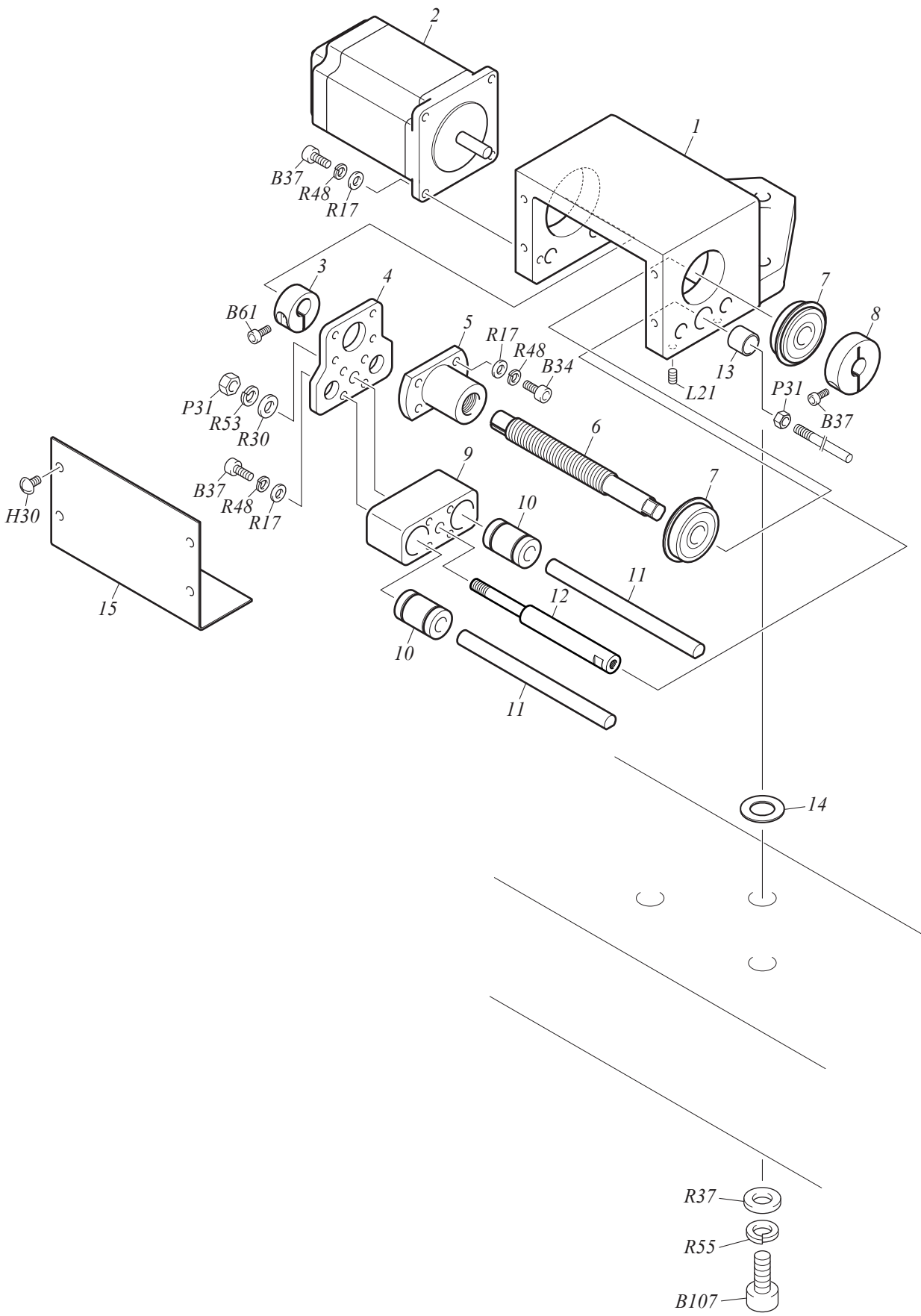
SHAFT COVER

D3-9

No.	Part Name	Part No.	Remark
1	SHAFT COVER :LEFT-SIDE :200P-	C303401@@010	
2	SHAFT COVER :200P-	C303202@@010	
3	HEAD COVER :R[S]	080430300S00	
4	HEAD COVER :SINGLE HEAD M/C :R	080430310000	1st Head
5	BRACKET :PULLEY COVER :A	172260010000	
6	BRACKET :PULLEY COVER :B	172260020000	
7	SHAFT COVER :PULLEY SECTION :275P-	C303301@@010	
8	PULLEY COVER :UPPER	17225001@010	
9	PULLEY COVER :LOWER	17225002@000	
10			
11			
12			
13			
14			
15			
16			
17			
18			
19			
20			
21			
22			
23			
24			
25			
26			
27			
28			
29			
30			
31			
32			
33			
34			
35			
36			
37			
38			
39			
40			
41			
42			
43			
44			
45			
46			
47			
48			
49			
50			

Note: As for parts with mark @, please follow our instructions on Table of Contents in your parts order.

(WM05)



ATH DRIVE SYSTEM

D3-10

No.	Part Name	Part No.	Remark
1	BASE :ATH	0E0160010010	
2	PULSE MOTOR :56 SQUARE 76L :WITH SENSOR[A]	0J6110500A00	
3	TIGHTENING COLLAR :10MM DIA.	502210010000	
4	BASE :SLIDE SCREW	0E0270020000	
5	NUT :ATMH4-12	663200010000	
6	SLIDE SCREW :ATH	0E0270010000	
7	BEARING :6200ZZNR	630300050000	
8	TIGHTENING COLLAR :10MM DIA.	502210040000	
9	DRIVE BLOCK :ATH ROD	0E0270050000	
10	LINEAR BUSHING :LME81625N	662100070000	
11	GUIDE SHAFT :ATH	0E0270030000	
12	BASE ROD :ATH	0E0270040010	
13	OIL-BUSHING :NO.1 :MB1012DU	638100210000	
14	PLAIN WASHER :12.5*22*T0.1-1	51911401@000	
15	COVER :ATH BASE	0E0150060000	
16			
17			
18			
19			
20			
21			
22			
23			
24			
25			
26			
27			
28			
29			
30			
31			
32			
33			
34			
35			
36			
37			
38			
39			
40			
41			
42			
43			
44			
45			
46			
47			
48			
49			
50			

Note: As for parts with mark @, please follow our instructions on Table of Contents in your parts order.

(YK04)

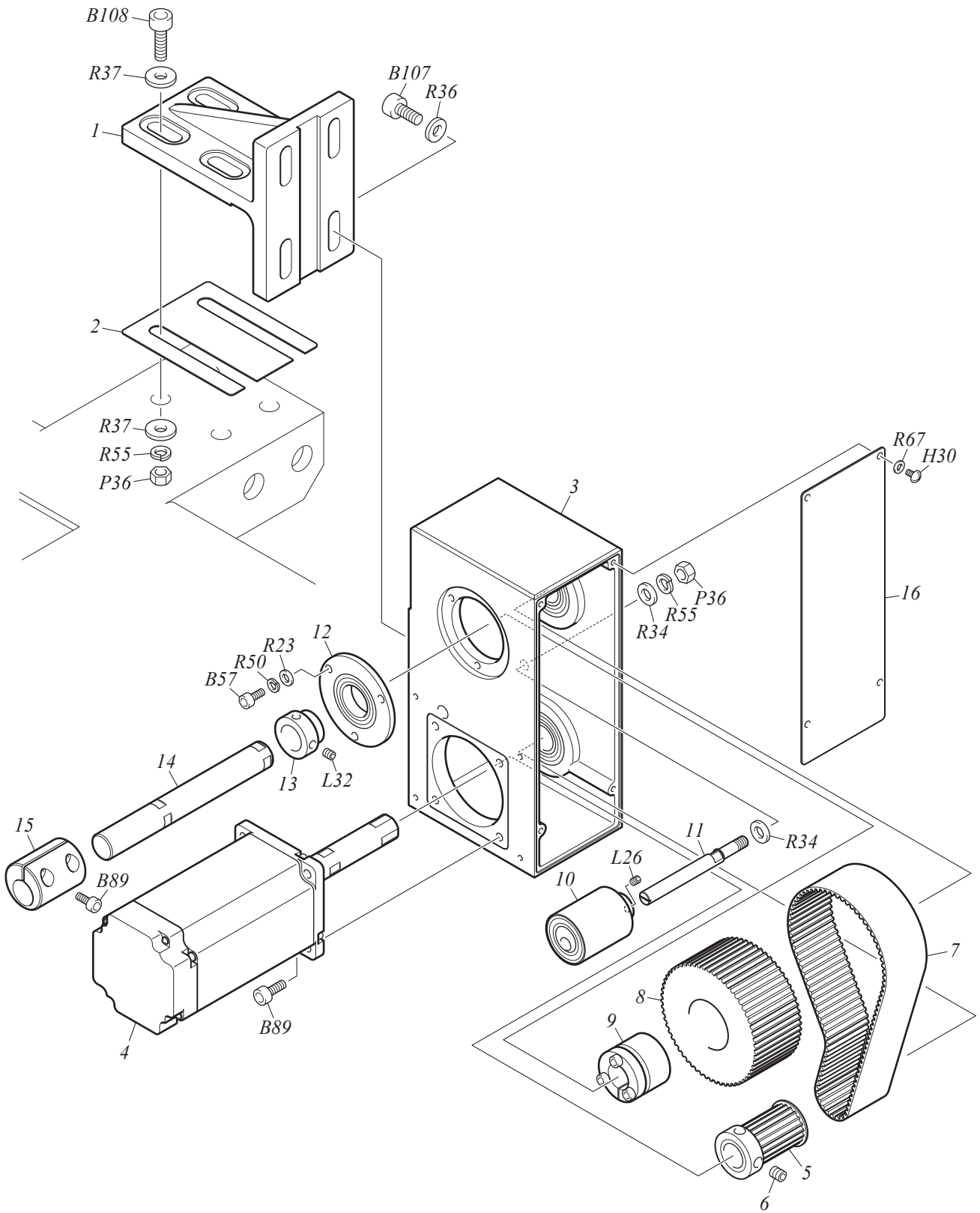
X-AXIS DRIVE SYSTEM 1

D3-11-1

No.	Part Name	Part No.	Remark
1	X-DRIVE BASE :NO.1 :X580 OR LESS	16012027@000	
2	X-DRIVE BASE :NO.2 :X580 OR LESS	16022027@000	
3	SPACER :NO.2 :T0.5-2	51020009@000	
4	LINEAR BASE :X180-1200	0F016001@000	
5	LINEAR WAY	660100@@0000	X-axis Drive System
6	STUD :NO.4 :M5-7	505405010010	
7	JOINT PLATE :BELT	0F0130020000	
8	TIMING BELT :MA5 :B :W50-E/LY :EX580 OR LESS	623E0062@000	
9	X-AXIS FEED PLATE :NO.2 :AZ :W50[S]	0F2220030S10	
10	X-AXIS FEED PLATE :NO.2 :BZ :W50[S]	0F2220040S10	
11	SENSOR PLATE :MAGNET[S]	0F0110070S00	
12	HOLDER :TENSION PULLEY	0F0120010000	
13	STRAIGHT PIN :NO.1 :12MM DIA.	503101110000	
14	BASE :TENSION PULLEY	0F0120140000	
15	TIMING PULLEY :W50-20[S]	501G91020S00	
16	RULON WASHER :TW-1225	638400080000	
17	STRAIGHT PIN :NO.4 :12MM DIA.	503104040000	
18	STRAIGHT PIN :NO.1 :14MM DIA.	503101070010	
19	BEARING CASE :NO.5 :L :25MM DIA.[S]	50852503LS00	
20	BEARING CASE :NO.5 :L	50852503L000	
21	BEARING :6905ZZ	630200310000	
22	BEARING CASE :NO.5 :R :25MM DIA.[S]	50852503RS00	
23	BEARING CASE :NO.5 :R	50852503R000	
24	BEARING COLLAR :20MM DIA.	502720010000	
25	TIMING PULLEY :W50-20	501G91010000	
26	SPECIAL SCREW :UNBRAKO :KCP :M8*8	690200010000	
27	X SHAFT :20MM DIA./W50-800	Q001X1030000	2pcs. X-axis Drive System
27	X SHAFT :20MM DIA./W50-900	Q001X2350000	3pcs. X-axis Drive System
28	CARD :MAGNETIC SENSOR A	0J4204400000	
29	CARD :MAGNETIC SENSOR B	0J4204401000	
30	BASE :PROXIMITY SWITCH	0F0110060000	
31	NUT :M4*3.2	0F0110030000	
32	KNURLED SCREW :M4*9	511D04020000	
33			
34			
35			
36			
37			
38			
39			
40			
41			
42			
43			
44			
45			
46			
47			
48			
49			

Note: As for parts with mark @, please follow our instructions on Table of Contents in your parts order.

(WM05)



X-AXIS DRIVE SYSTEM 2

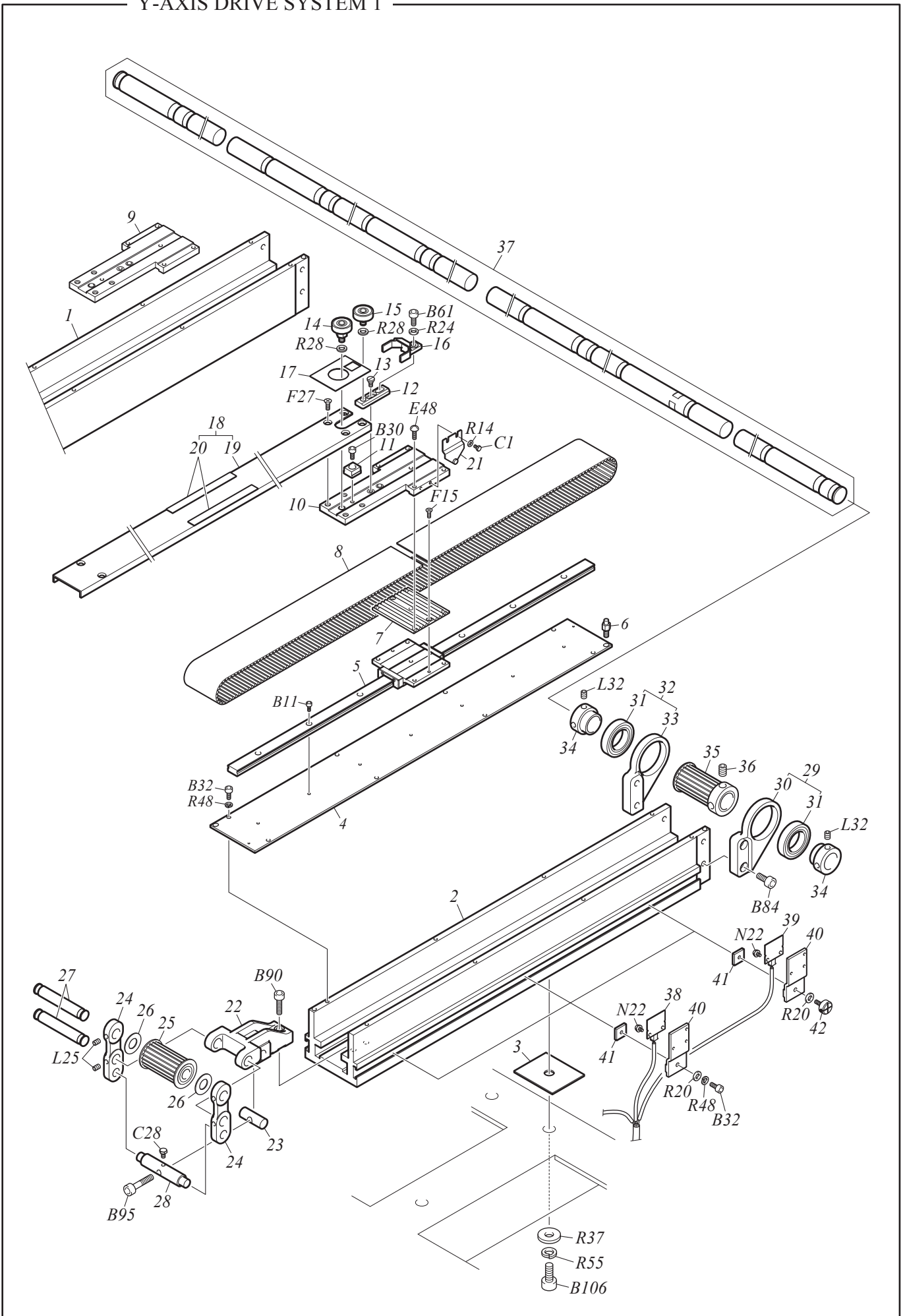
D3-11-2

No.	Part Name	Part No.	Remark
1	BRACKET :SPEED REDUCTION BOX	0F0220120000	
2	SPACER :NO.4 :T0.5-2	51040012@000	
3	SPEED REDUCTION BOX[S]	0F0210060S10	
4	SERVO MOTOR :750W :SFLAG	0J6301600010	
5	TIMING PULLEY :W40-20	501480010000	
6	SPECIAL SCREW :UNBRAKO :KCP :M8*8	690200010000	
7	TIMING BELT :SPEED REDUCTION BOX	625A00010000	
8	TIMING PULLEY :W40-60	501482010000	
9	STAR LOCK :STL21S20*39	504820010000	
10	FLAT PULLEY[S]	501908010S00	
11	SCREW WITH PIN :NO.1 :M8-74.5	513110030010	
12	BEARING CASE :NO.2 :25MM DIA.[S]	508225010S10	
13	BEARING COLLAR :20MM DIA.	502720010000	
14	SHAFT :X SPEED REDUCTION	0F0220030010	
15	TIGHTENING JOINT :20MM DIA.	504320010010	
16	COVER :SPEED REDUCTION BOX	0F0220010000	
17			
18			
19			
20			
21			
22			
23			
24			
25			
26			
27			
28			
29			
30			
31			
32			
33			
34			
35			
36			
37			
38			
39			
40			
41			
42			
43			
44			
45			
46			
47			
48			
49			
50			

Note: As for parts with mark @, please follow our instructions on Table of Contents in your parts order.

(WM05)

Y-AXIS DRIVE SYSTEM 1



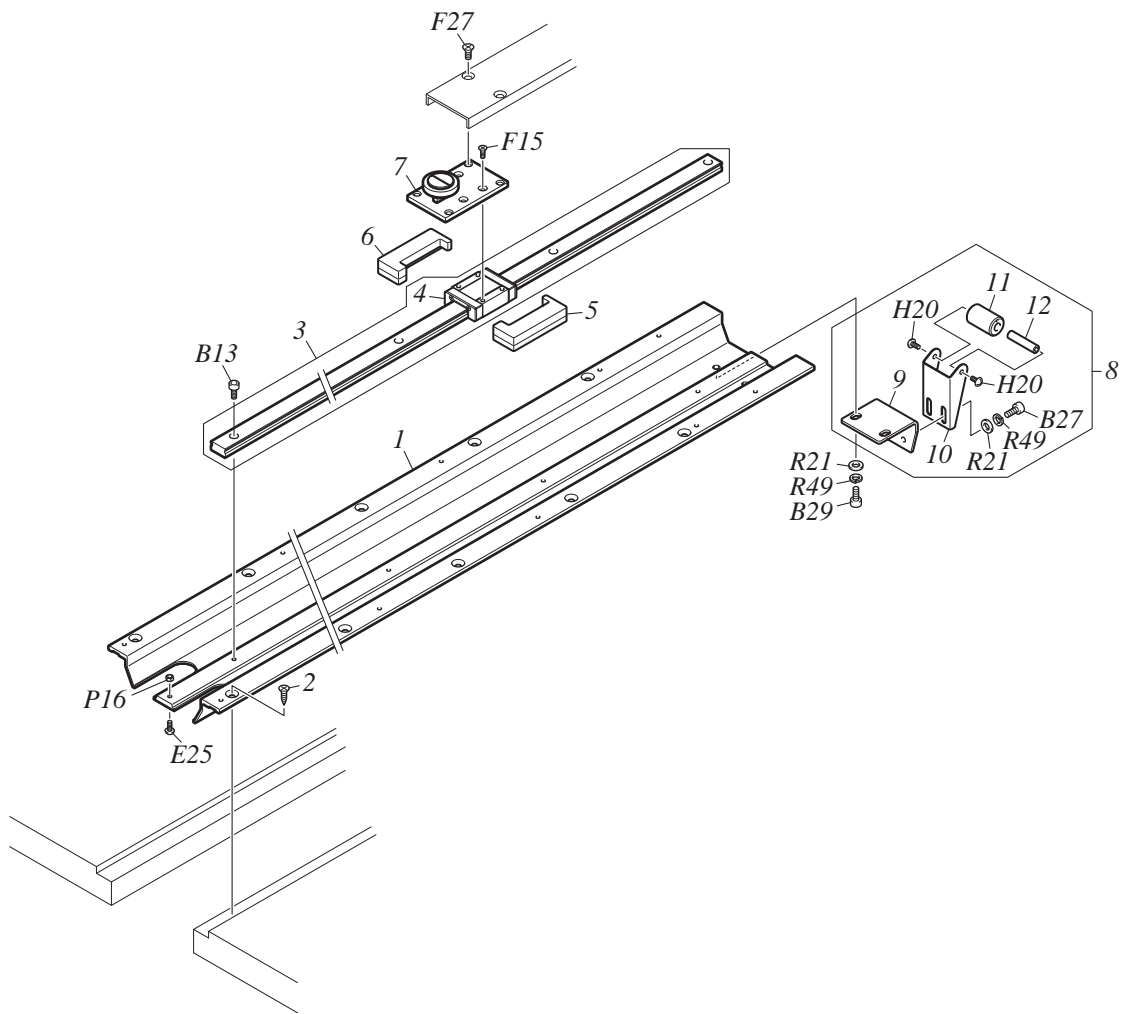
Y-AXIS DRIVE SYSTEM 1

D3-12-1

No.	Part Name	Part No.	Remark
1	Y-DRIVE BASE :NO.1 :Y550-800	16011007@000	
2	Y-DRIVE BASE :NO.2 :Y550-800	16021006@000	
3	SPACER :NO.2 :T0.5-2	51020009@000	
4	LINEAR BASE :Y300-1200	0F016003@000	
5	LINEAR WAY	660100@@0000	Y-axis Drive System
6	STUD :NO.4 :M5-7	505405010010	
7	JOINT PLATE :BELT	0F0130020000	
8	TIMING BELT :MA5 :W50/LY	623E00@@@000	
9	Y-AXIS FEED PLATE :NO.1 :A :W50[S]	0F241008AS30	
10	Y-AXIS FEED PLATE :NO.1 :B :W50[S]	0F241008BS30	
11	HOLDER BLOCK :FRAME	0F0150080010	
12	BASE :SCREW WITH ROLLER PIN	0F0150010020	
13	STEPPED SCREW :NO.1 :M4*8.2	512104060010	
14	SCREW WITH ROLLER PIN :NO.1 :M6[S]	514106290S00	
15	ROLLER PIN[S]	505406010S10	
16	COVER :FRAME BEARING	0G0200030020	
17	HOLDER :TABLE COVER	0F0140140000	
18	Y-AXIS FEED CONNECTING PLATE :Y680-1600[S]	0F014005@S20	
19	Y-AXIS FEED CONNECTING PLATE :Y300-1600	0F014005@020	
20	FELT :10*2*100	0F0170030000	
21	SENSOR PLATE :MAGNET[S]	0F0110070S00	
22	HOLDER :TENSION PULLEY	0F0120010000	
23	STRAIGHT PIN :NO.1 :12MM DIA.	503101110000	
24	BASE :TENSION PULLEY	0F0120140000	
25	TIMING PULLEY :W50-20[S]	501G91020S00	
26	RULON WASHER :TW-1225	638400080000	
27	STRAIGHT PIN :NO.4 :12MM DIA.	503104040000	
28	STRAIGHT PIN :NO.1 :14MM DIA.	503101070010	
29	BEARING CASE :NO.5 :L :25MM DIA.[S]	50852503LS00	
30	BEARING CASE :NO.5 :L	50852503L000	
31	BEARING :6905ZZ	630200310000	
32	BEARING CASE :NO.5 :R :25MM DIA.[S]	50852503RS00	
33	BEARING CASE :NO.5 :R	50852503R000	
34	BEARING COLLAR :20MM DIA.	502720010000	
35	TIMING PULLEY :W50-20	501G91010000	
36	SPECIAL SCREW :UNBRAKO :KCP :M8*8	690200010000	
37	Y SHAFT :20MM DIA.	QR7@03@@0000	
38	CARD :MAGNETIC SENSOR A	0J4204400000	
39	CARD :MAGNETIC SENSOR B	0J4204401000	
40	BASE :PROXIMITY SWITCH	0F0110060000	
41	NUT :M4*3.2	0F0110030000	
42	KNURLED SCREW :M4*9	511D04020000	
43			
44			
45			
46			
47			
48			
49			
50			

Note: As for parts with mark @, please follow our instructions on Table of Contents in your parts order.

(WM05)



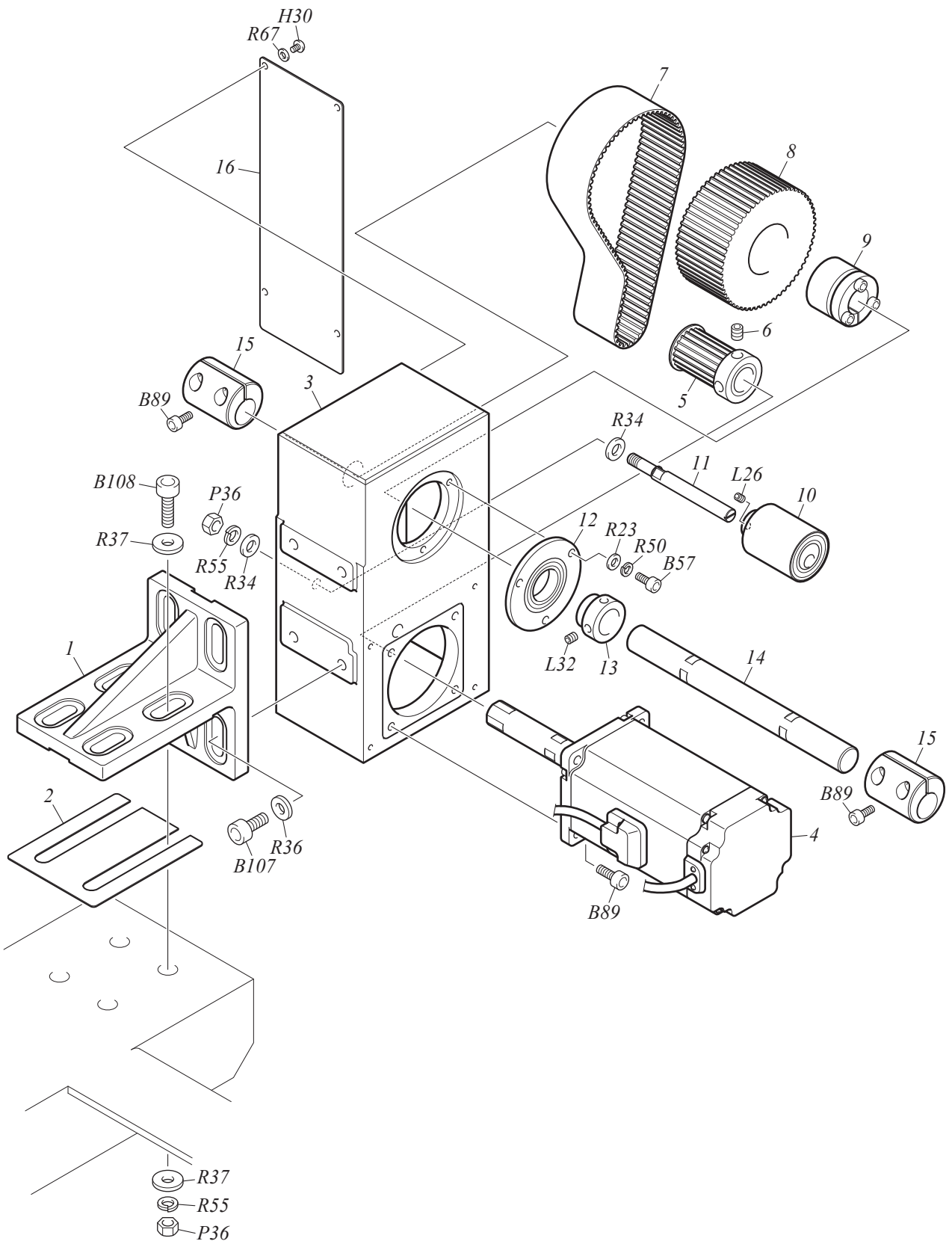
Y-AXIS DRIVE SYSTEM 2

D3-12-2

No.	Part Name	Part No.	Remark
1	BASE :RAIL :A :Y300-	0F312002@S00	
2	COUNTERSUNK TAPPING SCREW :3.5P*20	S550532001SD	
3	LINEAR WAY	660100@@0000	Y-AXIS Drive System (Front Rail)
4	SLIDE UNIT :LINEAR WAY :W32	9A1605200000	
5	WIPER :BASE RAIL :L[S]	0F329025LS00	
6	WIPER :BASE RAIL :R[S]	0F329025RS00	
7	Y-AXIS FEED PLATE :FRONT[S]	0F3210080S00	
8	BASE :ROLLER HOLDER[A]	0F3290150A00	
9	BASE :ROLLER HOLDER	0F3290150000	
10	HOLDER :ROLLER	0F3290100000	
11	ROLLER :6*15*25	515106010000	
12	STRAIGHT PIN :NO.1 :6MM DIA.	503101310010	
13			
14			
15			
16			
17			
18			
19			
20			
21			
22			
23			
24			
25			
26			
27			
28			
29			
30			
31			
32			
33			
34			
35			
36			
37			
38			
39			
40			
41			
42			
43			
44			
45			
46			
47			
48			
49			
50			

Note: As for parts with mark @, please follow our instructions on Table of Contents in your parts order.

(ZJ07)



Y-AXIS DRIVE SYSTEM 3

D3-12-3

No.	Part Name	Part No.	Remark
1	BRACKET :SPEED REDUCTION BOX	0F0220120000	
2	SPACER :NO.4 :T0.5-2	51040012@000	
3	SPEED REDUCTION BOX[S]	0F0210060S10	
4	SERVO MOTOR :750W :SFLAG	0J6301600010	
5	TIMING PULLEY :W40-20	501480010000	
6	SPECIAL SCREW :UNBRAKO :KCP :M8*8	690200010000	
7	TIMING BELT :SPEED REDUCTION BOX	625A00010000	
8	TIMING PULLEY :W40-60	501482010000	
9	STAR LOCK :STL21S20*39	504820010000	
10	FLAT PULLEY[S]	501908010S00	
11	SCREW WITH PIN :NO.1 :M8-74.5	513110030010	
12	BEARING CASE :NO.2 :25MM DIA.[S]	508225010S10	
13	BEARING COLLAR :20MM DIA.	502720010000	
14	SHAFT :Y SPEED REDUCTION	0F0220040010	
15	TIGHTENING JOINT :20MM DIA.	504320010010	
16	COVER :SPEED REDUCTION BOX	0F0220010000	
17			
18			
19			
20			
21			
22			
23			
24			
25			
26			
27			
28			
29			
30			
31			
32			
33			
34			
35			
36			
37			
38			
39			
40			
41			
42			
43			
44			
45			
46			
47			
48			
49			
50			

Note: As for parts with mark @, please follow our instructions on Table of Contents in your parts order.

(WM05)

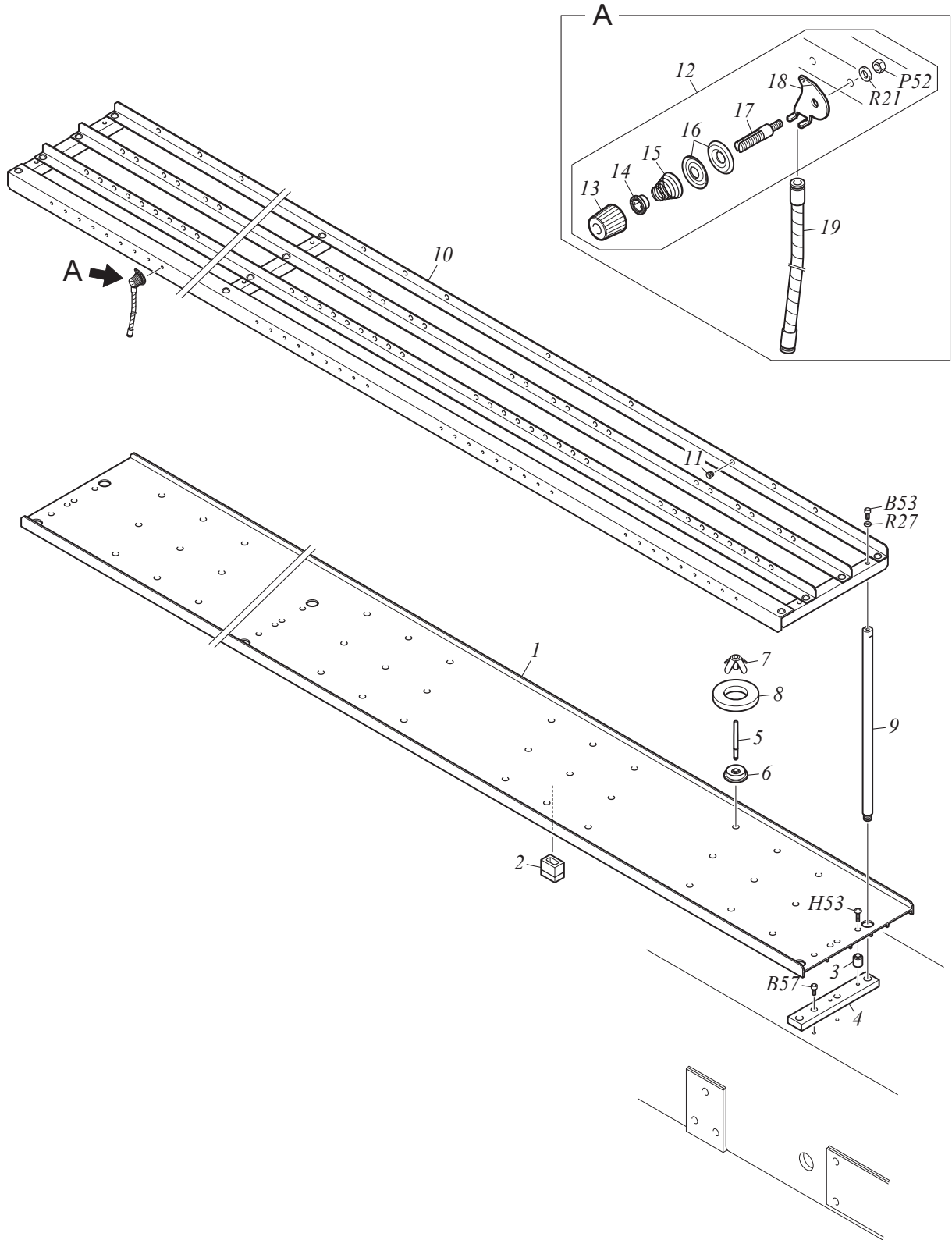
TENSION BASE

D3-13

No.	Part Name	Part No.	Remark
1	TENSION BASE :09-NEEDLE[T]	0C0160019T20	
2	TENSION BASE :09-NEEDLE[S]	0C0160019S00	
3	ROTARY TENSION DISK[A]	0C0230320A10	
4	KNOB :THREAD TENSION :A	0C0220150000	
5	SPRING HOOK	0C0220080000	
6	TAPER SPRING :0.6MM DIA.	507706010000	
6	TAPER SPRING :0.7MM	507707020010	Thick Thread
7	TENSION DISK	0C0210060000	
8	THREAD TENSION STUD :WITH GROOVE	0C0210070000	
9	BASE :THREAD PRESSER :09-NEEDLE	0C0220399000	
10	COUNTERSUNK TAPPING SCREW :3P*10	S550031001SD	
11	TRUSS HEAD SCREW :STEPPED :M3*4*2	S132030401TD	
12	COMPRESSION SPRING :0.2MM DIA.	507602010000	
13	THREAD PRESSER	0C0220400000	
14	GUIDE PLATE :TENSION BASE	0C0250100000	
15	COUNTERSUNK TAPPING SCREW :3P*8	S550030801SD	
16	SWITCH :MEMBRANE :L	0J0607401000	
17	SWITCH :MEMBRANE :R	0J0607400000	
18	CARD :TENSION BASE :MEMBRANE SWITCH SPEC.	0J2602900000	
19	CLAMP :WIRING	0C0250110010	
20	COATED CLIP :5	644500150000	
21	TRUSS HEAD TAPPING SCREW :3P*6	S530030601SD	
22	BRACKET :TENSION BASE	0C0240070000	
23	COVER :TENSION BASE :09-NEEDLE	0C0150089000	
24	GROMMET	0C0250090010	
25			
26			
27			
28			
29			
30			
31			
32			
33			
34			
35			
36			
37			
38			
39			
40			
41			
42			
43			
44			
45			
46			
47			
48			
49			

Note: As for parts with mark @, please follow our instructions on Table of Contents in your parts order.

(YK09)



THREAD STAND

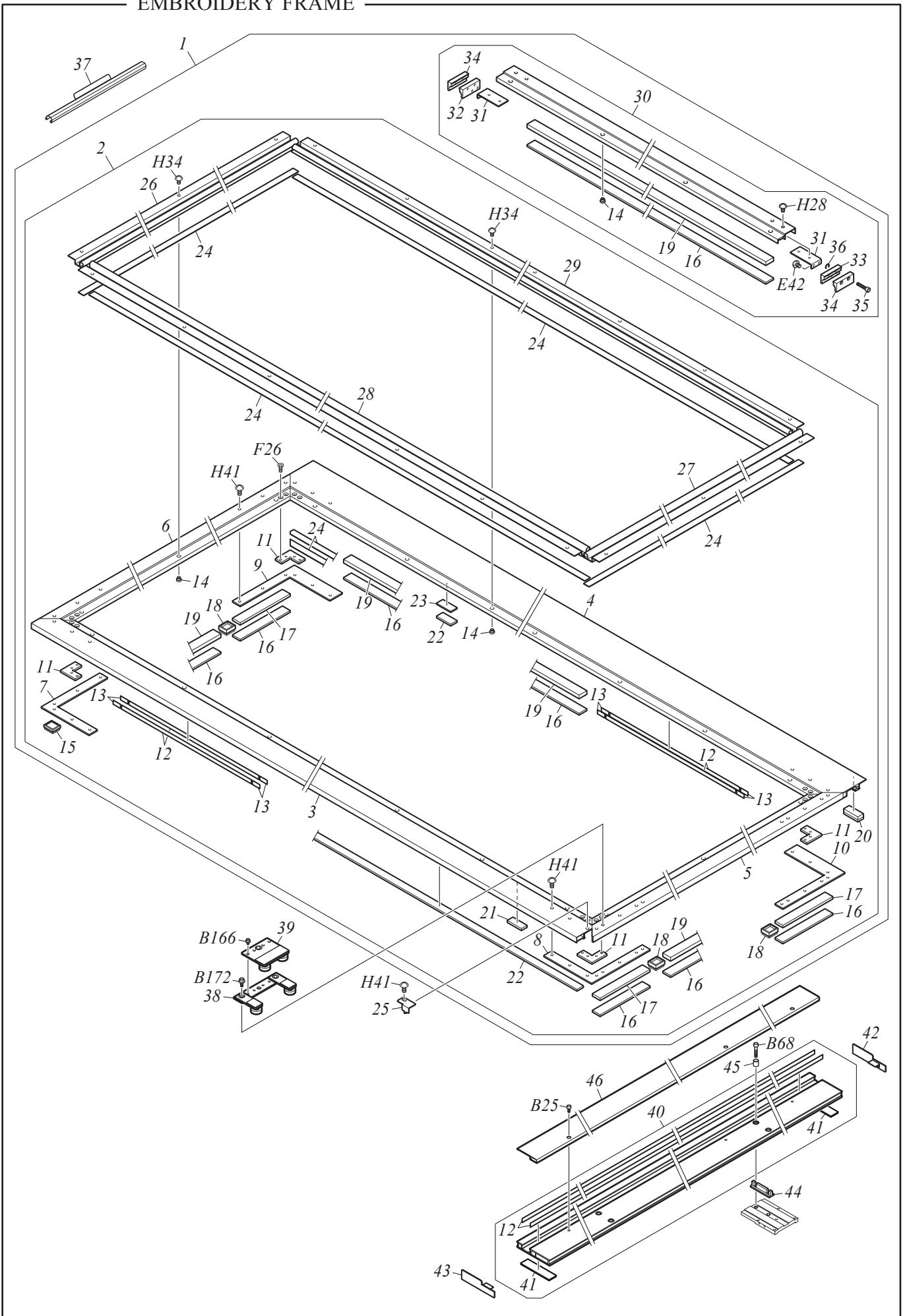
D3-14

No.	Part Name	Part No.	Remark
1	THREAD STAND PLATE[A]	1DQ@@@@@A00	
2	FELT SPACER :THREAD STAND PLATE	0D0110090S00	
3	COLLAR :NO.2 :7MM DIA.	502607010010	
4	BASE :THREAD STAND PLATE	0D0110600000	
5	THREAD STAND STUD	0D0110410000	
6	BASE :THREAD STAND STUD	0D0110420000	
7	THREAD STAND BLADE	0D0110010010	
8	THREAD STAND RING :T10	0D0110022010	
9	THREAD COURSE SUPPORT BAR :L345	0D0210313010	
10	THREAD COURSE[A]	1EQ@@@@@A00	
11	THREAD GUIDE COLLAR :BLACK :4.5MM DIA.	516501012010	
11	THREAD GUIDE COLLAR :RED :4.5MM DIA.	516501011010	
12	THREAD TENSION :TUBE	UD1100000000	
13	KNOB :THREAD TENSION :A	0C0220150000	
14	SPRING HOOK	0C0220080000	
15	TAPER SPRING :0.6MM DIA.	507706010000	
16	TENSION DISK	0C0220160010	
17	THREAD TENSION STUD	0C0210010010	
18	THREAD TENSION GUIDE :TUBE	0D0210150020	
19	SPIRAL TUBE :L300[A]	0D0210054A00	
20			
21			
22			
23			
24			
25			
26			
27			
28			
29			
30			
31			
32			
33			
34			
35			
36			
37			
38			
39			
40			
41			
42			
43			
44			
45			
46			
47			
48			
49			

Note: As for parts with mark @, please follow our instructions on Table of Contents in your parts order.

(YK09)

EMBROIDERY FRAME



EMBROIDERY FRAME

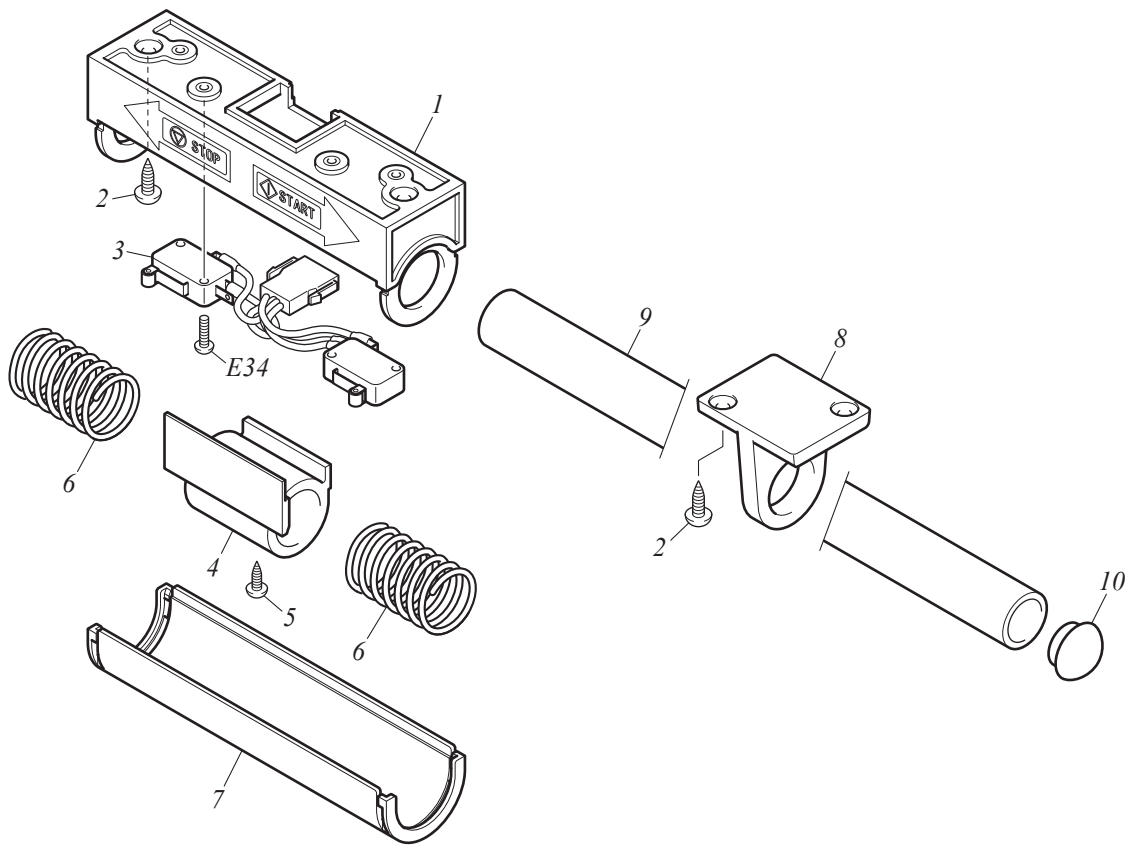
D3-15

No.	Part Name	Part No.	Remark
1	BORDER FRAME[T]	301@@@@@T00	
2	BORDER FRAME[A]	301@@@@@A00	
3	BASE SASH :FRONT	0G151@@@0000	
4	BASE SASH :REAR	0G152@@@0000	
5	BASE SASH :R	0G153@@@0000	
6	BASE SASH :L	0G154@@@0000	
7	CORNER :BORDER FRAME :FRONT L	0G0220200000	
8	CORNER :BORDER FRAME :FRONT R	0G0220460000	
9	CORNER :BORDER FRAME :REAR L	0G0220220000	
10	CORNER :BORDER FRAME :REAR R	0G0220470000	
11	CORNER	0G0220060000	
12	RAIL PLATE :0.5*10	518102@@@0000	
13	MISALIGNMENT-PREVENTIVE PLATE :0.5*10*30	518103020000	
14	SCREW BUSHING :STRAIGHT KNURL :M4*0.75	0G0260040000	
15	CORK :CORNER :T10.3[S]	0G0230120S00	
16	FELT :22*4.5*980	0G0240140000	
17	SPACER :23*6*1000	0G0240150000	
18	CORK :T13.5[S]	0G0230020S20	
19	SPACER :23*9*1000	0G0240160000	
20	BASE :CORK[S]	0G0230130S10	
21	CORK	0G0230130100	
22	FELT :18*4.5*980	0G0240170000	
23	SPACER :18*3*1000	0G0240180000	
24	FELT :15*1.3*1000[S]	0G0240200S00	
25	POINTER :EMBROIDERY FRAME	0G0270020000	
26	BORDER FRAME LENGTHWISE SASH :L :Y450-	0G113006@010	
27	BORDER FRAME LENGTHWISE SASH :R :Y450-	0G111006@010	
28	BORDER FRAME SASH :FRONT	0G121005@010	
29	BORDER FRAME SASH :REAR	0G122005@000	
30	MIDDLE SASH[A]	30A@@@@@CA00	
31	BRACKET :MIDDLE SASH CLAMP	0G0320030000	
32	CLAMP :MIDDLE SASH :A :L	0G032013L000	
33	CLAMP :MIDDLE SASH :A :R	0G032013R000	
34	CLAMP :MIDDLE SASH :B	0G0320140000	
35	HEXAGON SOCKET HEAD CAP SCREW :STOPPER :M4*20L	511904020000	
36	E-RING :3MM DIA.	611100060000	
37	BORDER FRAME CLIP :BFF8 :L100-300[S]	0G052021@S00	
38	BRACKET :BEARING :UPPER[S]	0G0280200S00	
39	BRACKET :BEARING :LOWER[S]	0G0280210S00	
40	XZ SASH[S]	3611012@@S00	
41	FELT :Z-SPEC. FRAME SASH :20*3*80	0G0140100000	Y: 551mm or more
42	COVER :XZ SASH :L[S]	0G012009LS00	
43	COVER :XZ SASH :R[S]	0G012009RS00	
44	SPACER :Z-SPEC. FRAME SASH	0G0110190000	
45	HOLDER BUSHING :M5	509905010010	
46	COVER :XZ SASH :UPPER	0G012010@000	
47			
48			
49			
50			

Note: As for parts with mark @, please follow our instructions on Table of Contents in your parts order.

(ZJ04)

BAR SWITCH BOX



BAR SWITCH BOX

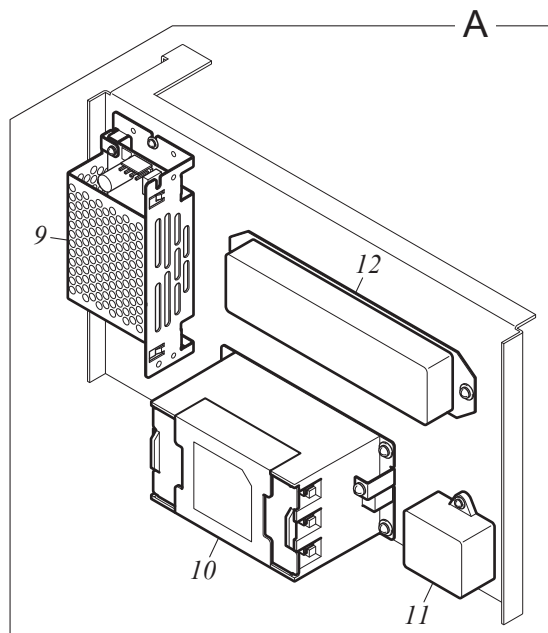
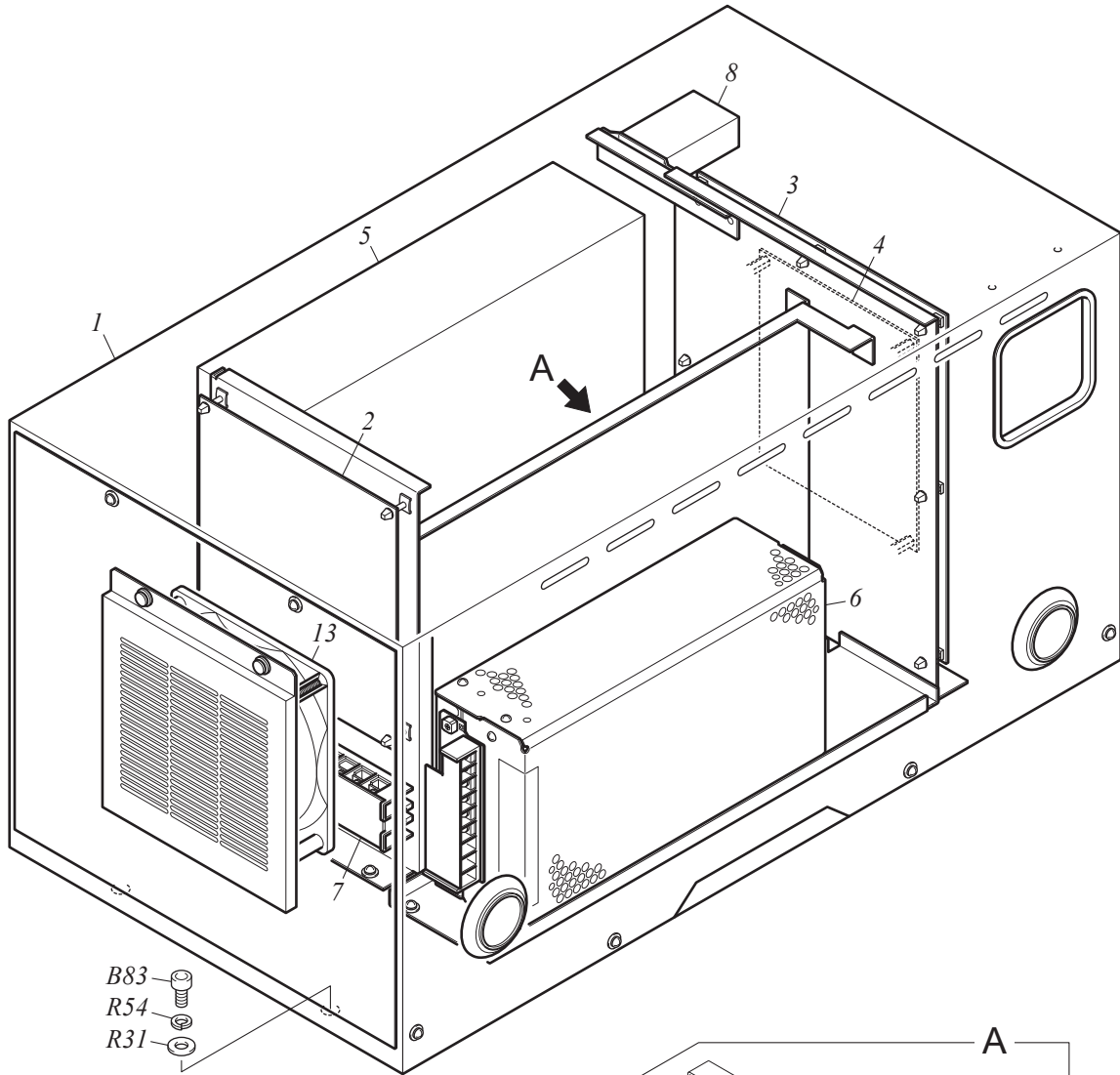
D3-16

No.	Part Name	Part No.	Remark
1	BOX :BAR SWITCH	030240091020	
2	TRUSS HEAD TAPPING SCREW :4P*25	S530042501SD	
3	SWITCH :START/STOP :BAR SWITCH[A]	0J0520200A10	
4	SENSOR PLATE :NO.1	030240110010	
5	TRUSS HEAD TAPPING SCREW :4P*16	S530041601SD	
6	COMPRESSION SPRING :1.8MM DIA.	507618010000	
7	COVER :BAR SWITCH BOX	030240100000	
8	HOLDER :SWITCH BAR	030240050020	
9	SWITCH BAR	030240010000	
10	SIDE COVER	030240030000	
11			
12			
13			
14			
15			
16			
17			
18			
19			
20			
21			
22			
23			
24			
25			
26			
27			
28			
29			
30			
31			
32			
33			
34			
35			
36			
37			
38			
39			
40			
41			
42			
43			
44			
45			
46			
47			
48			
49			
50			

Note: As for parts with mark @, please follow our instructions on Table of Contents in your parts order.

(WM05)

CONTROLLER BOX



CONTROLLER BOX

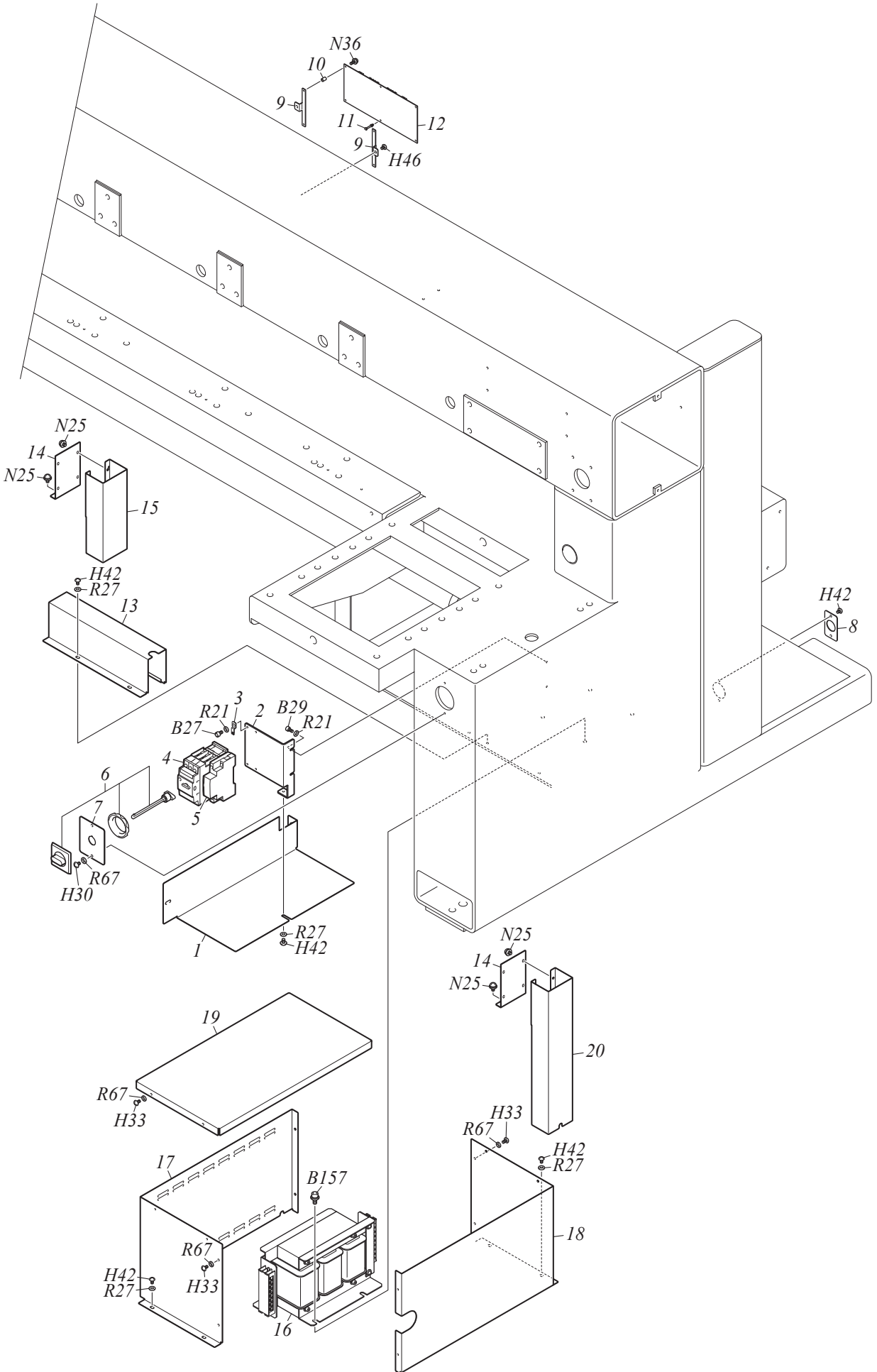
D3-17

No.	Part Name	Part No.	Remark
1	CONTROLLER BOX[A]	0J0205000A10	
2	CARD :AC DRIVER :IDU131	0J2207000000	
3	CARD :JOINT :JOINT131	0J2503900000	
4	CARD :CONTROLLER :CPU131	0J2306400000	
5	AMPLIFIER UNIT :AMP131[A]	0J2207100A00	
6	DC POWER SUPPLY :24V	645300240000	
7	TERMINAL BASE :10P	643400250000	
8	COUNTER :ELECTRO-MAGNETIC	0J4500200010	
9	DC POWER SUPPLY :12V :30W	645300530000	
10	NOISE FILTER :3-PHASE :30A	641400240000	
11	SURGE PROTECTOR	0J4300300000	
12	RESISTOR :BRAKE :40 OHMS 120W	640800200001	
13	MOTOR :FAN[A]	0J6501100A00	
14			
15			
16			
17			
18			
19			
20			
21			
22			
23			
24			
25			
26			
27			
28			
29			
30			
31			
32			
33			
34			
35			
36			
37			
38			
39			
40			
41			
42			
43			
44			
45			
46			
47			
48			
49			
50			

Note: As for parts with mark @, please follow our instructions on Table of Contents in your parts order.

(WM05)

ELECTRICAL PARTS



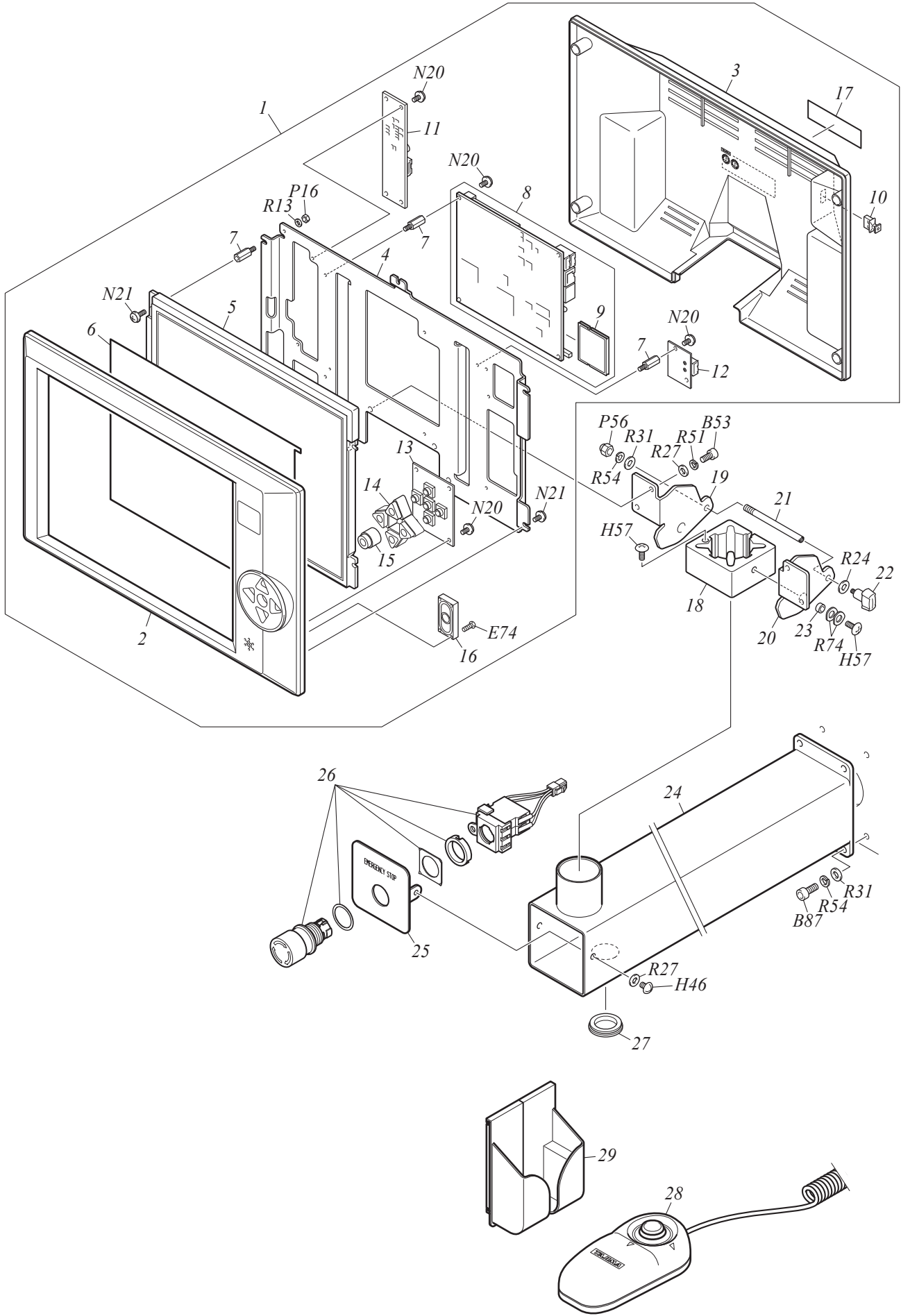
ELECTRICAL PARTS

D3-18

No.	Part Name	Part No.	Remark
1	COVER :BREAKER	03015068@000	
2	BRACKET :BREAKER	030110380000	
3	ACCESSORY :FIXING	644501520000	
4	BREAKER :3-PHASE :20A	646100330000	
5	SHUNT RELEASE	646100290000	
6	LEVER :ROTARY TYPE	646100300000	
7	COVER :BREAKER HANDLE	03013025@000	
8	HOLDER :HARNESS :B	03014003B000	
9	BRACKET :HEAD CARD	0J1943200000	
10	ONE-TOUCH COLLAR :TA-310	644500690000	
11	MINI CARD SPACER :MPS-20	644500700000	
12	CARD :HEAD 131-A	0J2704800000	
13	COVER :WIRING :LOWER[A]	03015056@A00	
14	COVER :HARNESS :A	03015057@000	
15	COVER :HARNESS :C	03015059@000	
16	TRANSFORMER :AUTO 3-PHASE	0J0903800000	3-phase 380/415V
17	COVER :TRANSFORMER :FRONT	03015053@000	
18	COVER :TRANSFORMER :REAR	03015054@000	
19	COVER :TRANSFORMER :UPPER	03015055@000	
20	COVER :HARNESS :B	03015058@000	
21			
22			
23			
24			
25			
26			
27			
28			
29			
30			
31			
32			
33			
34			
35			
36			
37			
38			
39			
40			
41			
42			
43			
44			
45			
46			
47			
48			
49			
50			

Note: As for parts with mark @, please follow our instructions on Table of Contents in your parts order.

(WM05)



OPERATION PANEL

D3-19

No.	Part Name	Part No.	Remark
1	LCD OPERATION PANEL :12.1 INCH[A]	0J0402005A00	
2	CASE :CONTROLLER PANEL :FRONT[S]	0J1412700S10	
3	CASE :CONTROLLER PANEL :REAR[S]	0J1412800S00	
4	CARD BASE :CONTROLLER :1	0J1413101000	
5	LCD PANEL :12.1	0J0401900000	
6	TRANSPARENT PROTECTING SHEET :TOUCH PANEL :12.1	0J1414400000	
7	SPACER :HEXAGON :BSB-312	644500800000	
8	CARD :PANEL CPU :OPERATION PANEL[T]	0J3505005T00	
9	CFAST FLASH CARD :OPERATION PANEL	0J1415205000	
10	DUST CAP :USB	644500490000	
11	CARD :TOUCH PANEL :CONTROL[A]	0J3503700A00	
12	CARD :PANEL :USB[A]	0J3503900A00	
13	CARD :PANEL :SWITCH[A]	0J3506500A00	
14	BUTTON :TRIANGLE :SWITCH	0J1412900000	
15	BUTTON :CIRCLE :SWITCH	0J1413000000	
16	SPEAKER :OPERATION PANEL	0J1414700000	
17	LABEL :LCD OPERATION PANEL :12.1 INCH	0J5108905000	
18	CLAMP :CONTROLLER PANEL	030221000000	
19	BRACKET :CONTROLLER PANEL :L	03022095L000	
20	BRACKET :CONTROLLER PANEL :R	03022095R000	
21	SCREW WITH PIN :NO.4 :M6-75	513406010000	
22	KNOBBED SCREW :NO.2 :M5*9[S]	511F05080S10	
23	COLLAR :NO.1 :6MM DIA.	502506050000	
24	PIPE :CONTROLLER :A[S]	03021056AS00	Y: 550mm or less
24	PIPE :CONTROLLER :B[S]	03021056BS00	Y: 680 to 800mm
25	BASE :EMERGENCY STOP SWITCH[S]	030230270S00	
26	SWITCH :EMERGENCY STOP[A]	0J0605500A00	
27	GROMMET WITH FILM :26A	644500210000	
28	JOG REMOTE-CONTROLLER[A]	0J4200100A00	Option if Y-axis length is 680mm or less.
29	JOG REMOTE-CONTROLLER POCKET[A]	0J5102100A00	Option if Y-axis length is 680mm or less.
30			
31			
32			
33			
34			
35			
36			
37			
38			
39			
40			
41			
42			
43			
44			
45			
46			
47			
48			
49			

Note: As for parts with mark @, please follow our instructions on Table of Contents in your parts order.

(ZJ03)

A, B

No.	Part No.	Remark	No.	Part No.	Remark
A Flat Fillister Head Screw			B18	S120031501TN	M3*15
A1	SA41730351CN	1/8*44*3.5	B19	S120031601TN	M3*16
A2	SA41730501CN	1/8*44*5	B20	S120031801TN	M3*18
A3	SA41730551CN	1/8*44*5.5	B21	S120032003TD	M3*20
A4	SA41730601CN	1/8*44*6	B22	S120032001TN	M3*20
A5	SA41740301CN	9/64*40*3	B23	S120032501TN	M3*25
A6	SA41740402CN	9/64*40*4	B24	S120033001TN	M3*30 Half Threads
A7	SA41740401SA	9/64*40*4	B25	S120040501TD	M4*5
A8	SA41740403CL	9/64*40*4	B26	S120040502TN	M4*5
A9	SA41740404CN	9/64*40*4	B27	S120040602TD	M4*6
A10	SA41740501CN	9/64*40*5	B28	S120040601TN	M4*6
A11	SA41740601CN	9/64*40*6	B29	S120040801TD	M4*8
A12	SA41740602CN	9/64*40*6	B30	S120040802TN	M4*8
A13	SA41740701CN	9/64*40*7	B31	S120041001TD	M4*10
A14	SA41740801CN	9/64*40*8	B32	S120041002TN	M4*10
A15	SA41740802CN	9/64*40*8	B33	S120041201TD	M4*12
A16	SA41740803CN	9/64*40*8	B34	S120041202TN	M4*12
A17	SA41741001CN	9/64*40*10	B35	S120041401TN	M4*14
A18	SA41741202CN	9/64*40*12	B36	S120041502TD	M4*15
A19	SA41741501CN	9/64*40*15	B37	S120041501TN	M4*15
A20	SA41750431TN	11/64*40*4.3	B38	S120041601TN	M4*16
A21	SA41750701CN	11/64*40*7	B39	S120041801TN	M4*18
A22	SA41750751CN	11/64*40*7.5	B40	S120042002TD	M4*20
A23	SA41750901SH	11/64*40*9	B41	S120042001TN	M4*20
A24	SA41751151CN	11/64*40*11.5	B42	S120042502TD	M4*25
A25	SA41751201CN	11/64*40*12	B43	S120042501TN	M4*25
A26	S141030801SC	M3*8	B44	S120042504TN	M4*25 Half Threads
A27	S141030802SD	M3*8	B45	S120043001TN	M4*30
A28	S141031001CC	M3*10	B46	S120043502TD	M4*35
A29	S141041001SC	M4*10	B47	S120043501TN	M4*35
A30	SA41740653TB	9/64*40*6.5	B48	S120044001TN	M4*40
			B49	S120044501TN	M4*45
B Hexagon Socket Head Cap Screw			B50	S120050601TN	M5*6
B1	S120020801TD	M2*8	B51	S120050801TD	M5*8
B2	S120021001TD	M2*10	B52	S120050802TN	M5*8
B3	S120480501TN	M2.6*5	B53	S120051001TD	M5*10
B4	S120030301TN	M3*3	B54	S120051002TN	M5*10
B5	S120030401TN	M3*4	B55	S120051004TP	M5*10
B6	S120030502TD	M3*5	B56	S120051201TD	M5*12
B7	S120030501TN	M3*5	B57	S120051202TN	M5*12
B8	S120030601TD	M3*6	B58	S120051401TN	M5*14
B9	S120030602TN	M3*6	B59	S120051501MZ	M5*15
B10	S120030804MZ	M3*8	B60	S120051502TD	M5*15
B11	S120030801TD	M3*8	B61	S120051503TN	M5*15
B12	S120030802TN	M3*8	B62	S120051601TN	M5*16
B13	S120031001TD	M3*10	B63	S120051801TN	M5*18
B14	S120031002TN	M3*10	B64	S120052001TD	M5*20
B15	S120031203TD	M3*12	B65	S120052002TN	M5*20
B16	S120031201TN	M3*12	B66	S120052201TN	M5*22
B17	S120031502TD	M3*15	B67	S120052301TN	M5*23

B, C

No.	Part No.	Remark	No.	Part No.	Remark
B	Hexagon Socket Head Cap Screw		B117	S120102001TN	M10*20
B68	S120052501TN	M5*25	B118	S120102501TN	M10*25
B69	S120053001TN	M5*30	B119	S120103001TN	M10*30
B70	S120053503TD	M5*35	B120	S120103501TN	M10*35
B71	S120053501TN	M5*35	B121	S120104001TN	M10*40
B72	S120053502TN	M5*35 Half Threads	B122	S120123001TN	M12*30
B73	S120054001TN	M5*40	B123	S120123501TN	M12*35
B74	S120054501TN	M5*45	B124	S120081801TN	M8*18
B75	S120055001TN	M5*50	B125	S120470501TN	M2.5*5
B76	S120055002TN	M5*50 Half Threads	B126	S120052502TD	M5*25
B77	S120055501TN	M5*55	B127	S120030302TD	M3*3
B78	S120056001TN	M5*60	B128	S120051504TN	M5*15 Low Head
B79	S120056003TN	M5*60 Half Threads	B129	S120031801TD	M3*18
B80	S120060801TN	M6*8	B130	S120052801TN	M5*28
B81	S120060901TN	M6*9	B131	S120044502TN	M4*45 Half Threads
B82	S120061001TN	M6*10	B132	S120081501TD	M8*15
B83	S120061202TD	M6*12	B133	S120051802TD	M5*18
B84	S120061201TN	M6*12	B134	S120470401TN	M2.5*4
B85	S120061501TD	M6*15	B135	S120033003SD	M3*30
B86	S120061502TN	M6*15	B136	S120030402TD	M3*4
B87	S120061801TD	M6*18	B137	S120033002TN	M3*30
B88	S120061802TN	M6*18	B138	S120067502TN	M6*75
B89	S120062001TN	M6*20	B139	S120050501TN	M5*5
B90	S120062501TN	M6*25	B140	S120082001TD	M8*20
B91	S120063001TN	M6*30	B141	S120086002TD	M8*60
B92	S120063501TN	M6*35	B142	S120062002TD	M6*20
B93	S120064001TN	M6*40	B143	S120043503TD	M4*35 Half Threads
B94	S120064501TN	M6*45	B144	S120044003TN	M4*40 Half Threads
B95	S120064502TN	M6*45 Half Threads	B145	S120030605TD	M3*6 Low Head
B96	S120065001TN	M6*50 Half Threads	B146	S120042202TD	M4*22
B97	S120066501TN	M6*65	B147	S120062502TD	M6*25
B98	S120067501TN	M6*75 Half Threads	B148	S120045501TN	M4*55 Half Threads
B99	S120068001TN	M6*80 Half Threads	B149	S120123001TD	M12*30
B100	S12006A001TN	M6*100	B150	S120034001TN	M3*40
B101	S120081201TN	M8*12	B151	S120035001TN	M3*50
B102	S120081502TN	M8*15	B152	S120470502TD	M2.5*5
B103	S120081503TP	M8*15	B153	S120081202TD	M8*12
B104	S120081601TN	M8*16	B154	S120042201TN	M4*22
B105	S120082001TN	M8*20	B155	S120041802TD	M4*18
B106	S120082502TN	M8*25	B156	S120041602TD	M4*16
B107	S120083001TN	M8*30	B157	S120081504TN	M8*15 With Washer
B108	S120083501TN	M8*35	B158	S120050602TD	M5*6
B109	S120084001TN	M8*40	B159	S120045001TD	M4*50
B110	S120084002TN	M8*40 Half Threads	B160	S120044002TD	M4*40
B111	S120084501TN	M8*45	B161	S120082501TD	M8*25
B112	S120084502TN	M8*45 Half Threads			
B113	S120085001TN	M8*50	C	Hexagon Bolt	
B114	S120086001TN	M8*60	C1	S121030601SD	M3*6
B115	S120087001TN	M8*70	C2	S121040801SD	M4*8
B116	S120102002TD	M10*20	C3	S121042501SD	M4*25

C, D, E

No.	Part No.	Remark	No.	Part No.	Remark
C Hexagon Bolt			E Pan Head Screw		
C4	S121051001SD	M5*10	E1	S160410141MZ	M1.4*1.4
C5	S121051502SC	M5*15	E2	S160020202MZ	M2*2
C6	S121051501SD	M5*15	E3	S160020301MZ	M2*3
C7	S121052001SD	M5*20	E4	S160020401MZ	M2*4
C8	S121061501SC	M6*15	E5	S160020801MZ	M2*8
C9	S121062501TN	M6*25	E6	S160470301MZ	M2.5*3
C10	S121064501SD	M6*45	E7	S160470402MZ	M2.5*4
C11	S121065001SC	M6*50	E8	S160470501MZ	M2.5*5
C12	S121065002SD	M6*50	E9	S160470801MZ	M2.5*8
C13	S121065501SD	M6*55	E10	S160471301MZ	M2.5*13
C14	S121066501SD	M6*65	E11	S160471302SD	M2.5*13
C15	S121067501SC	M6*75	E12	S160480601SD	M2.6*6
C16	S121081501TN	M8*15	E13	S160030301MZ	M3*3
C17	S121081801TN	M8*18	E14	S160030302SD	M3*3
C18	S121103001TN	M10*30	E15	S160030403CD	M3*4
C19	S121103502SC	M10*35	E16	S160030401MZ	M3*4
C20	S121103501TN	M10*35	E17	S160030402SD	M3*4
C21	S121104001SC	M10*40	E18	S160030501MZ	M3*5
C22	S121125001TN	M12*50	E19	S160030502SD	M3*5
C23	S12112B001TN	M12*110	E20	S160030601MZ	M3*6
C24	S121082501TN	M8*25	E21	S160030603SA	M3*6
C25	S121102501TN	M10*25	E22	S160030602SD	M3*6
C26	S121082202TN	M8*22	E23	S160030801MZ	M3*8
C27	S121041001SD	M4*10	E24	S160030803SA	M3*8
C28	S121040601SD	M4*6	E25	S160030802SD	M3*8
C29	S121061503SD	M6*15	E26	S160031001MZ	M3*10
			E27	S160031003SC	M3*10 Half Threads
D Round Fillister Head Screw			E28	S160031002SD	M3*10
D1	SA43740401CL	9/64*40*4	E29	S160031101SC	M3*11 Half Threads
D2	SA43740501CL	9/64*40*5	E30	S160031201MZ	M3*12
D3	SA43740502CN	9/64*40*5	E31	S160031202SD	M3*12
D4	SA43740503CN	9/64*40*5	E32	S160031401SA	M3*14
D5	SA43740504CN	9/64*40*5	E33	S160031402SD	M3*14
D6	SA43740601CL	9/64*40*6	E34	S160031501SD	M3*15
D7	SA43740602CN	9/64*40*6	E35	S160031601SD	M3*16
D8	SA43740603CL	9/64*40*6	E36	S160031801SD	M3*18
D9	SA43740604CN	9/64*40*6	E37	S160032001SD	M3*20
D10	SA43740682CN	9/64*40*6.8	E38	S160033001SD	M3*30
D11	SA43740801CL	9/64*40*8	E39	S160034002SD	M3*40
D12	SA43740802CN	9/64*40*8	E40	S160035001SD	M3*50 Half Threads
D13	SA43741001CN	9/64*40*10	E41	S160040401SD	M4*4
D14	SA43741201CN	9/64*40*12	E42	S160040501SD	M4*5
D15	SA43750601CN	11/64*40*6	E43	S160040601MZ	M4*6
D16	SA43750652CN	11/64*40*6.5	E44	S160040602SD	M4*6
D17	SA43751051CN	11/64*40*10.5	E45	S160040801SD	M4*8
D18	SA43751201CN	11/64*40*12	E46	S160041001SD	M4*10
D19	SA43751501CN	11/64*40*15	E47	S160041201SD	M4*12
D20	SA43812451CN	9/32*28*24.5	E48	S160041501SD	M4*15
D21	S143030501SD	M3*5	E49	S160041801SD	M4*18

E, F, G, H

No.	Part No.	Remark	No.	Part No.	Remark
E Pan Head Screw			F18	S150031001SD	M3*10
E50	S160043001SD	M4*30	F19	S150031201MZ	M3*12
E51	S160045001SD	M4*50	F20	S150031202SD	M3*12
E52	S160046001SD	M4*60	F21	S150031501MZ	M3*15
E53	S160050601SD	M5*6	F22	S150031601SD	M3*16
E54	S160050701SD	M5*7	F23	S150040501SD	M4*5
E55	S160050801SD	M5*8	F24	S150040602MZ	M4*6
E56	S160051002MZ	M5*10	F25	S150040601SD	M4*6
E57	S160051001SD	M5*10	F26	S150040801MZ	M4*8
E58	S160051201SD	M5*12	F27	S150040802SD	M4*8
E59	S160053001SD	M5*12	F28	S150041001MZ	M4*10
E60	S160051501SD	M5*15	F29	S150041002SD	M4*10
E61	S160054501SD	M5*45	F30	S150041201SD	M4*12
E62	S160055001SD	M5*50	F31	S150041401SD	M4*14
E63	S160056001SD	M5*60	F32	S150041501SD	M4*15
E64	S160047001SD	M4*70	F33	S150042001SD	M4*20
E65	S160480801SD	M2.6*8	F34	S150042201SD	M4*22
E66	S160030504SC	M3*5	F35	S150042501SD	M4*25
E67	S160480602MZ	M2.6*6	F36	S150050601SD	M5*6
E68	S160031403MZ	M3*14	F37	S150050801SD	M5*8
E69	S160042001SD	M4*20	F38	S150051001MZ	M5*10
E70	S160044501SD	M4*45	F39	S150051002SD	M5*10
E71	S160020203SD	M2*2	F40	S150051201SD	M5*12
E72	S160470502SD	M2.5*5	F41	S150051501SD	M5*15
E73	SA60740551TN	9/64*40*5.5	F42	S150053001SD	M5*30
E74	S160431001MZ	M1.7*10	F43	S150053501SD	M5*35
E75	S160043501SD	M4*35	F44	S150054001SD	M5*40
E76	S160020501SD	M2*5	F45	S150061502SC	M6*15
E77	S160052501SD	M5*25	F46	S150061503SD	M6*15
E78	S160044001SD	M4*40	F47	S150063501SD	M6*35
E79	S160470403SD	M2.5*4	F48	S150081201SD	M8*12
			F49	S150087001TN	M8*70
F Countersunk Head Screw			F50	S150061801SD	M6*18
F1	SA51741001CN	9/64*40*10	F51	S150052501SD	M5*25
F2	SA50750801CN	11/64*40*8	F52	S150040502MZ	M4*5
F3	S150020601SD	M2*6			
F4	S150030401MZ	M3*4	G Round Countersunk Head Screw		
F5	S150030402SD	M3*4	G1	SA53730601CL	1/8*44*6
F6	S150030501MZ	M3*5	G2	SA53740301CL	9/64*40*3
F7	S150030502SD	M3*5	G3	SA53740351CL	9/64*40*3.5
F8	S151030601SD	M3*6	G4	SA53740401CL	9/64*40*4
F9	S150030601MZ	M3*6	G5	SA53740601CL	9/64*40*6
F10	S150030602SD	M3*6	G6	SA53740701CL	9/64*40*7
F11	S150030701SD	M3*7	G7	SA53740951CL	9/64*40*9.5
F12	S151030801SD	M3*8	G8	SA53741201CL	9/64*40*12
F13	S150030801MZ	M3*8	G9	SA53740681CL	9/64*40*6.8
F14	S150030804SC	M3*8			
F15	S150030802SD	M3*8	H Truss Head Screw		
F16	S150030803SN	M3*8	H1	SA30730701CL	1/8*44*7
F17	S150031002MZ	M3*10	H2	SA30740301CL	9/64*40*3.5

H, J, K

No.	Part No.	Remark	No.	Part No.	Remark
H	Truss Head Screw		H52	S130052001SD	M5*20
H3	SA30740401CL	9/64*40*4	H53	S130052502SD	M5*25
H4	SA31740401CM	9/64*40*4	H54	S130053001SD	M5*30
H5	SA30740601CL	9/64*40*6	H55	S130053501SD	M5*35
H6	SA30740801CL	9/64*40*8	H56	S130060801SD	M6*8
H7	S130470301MZ	M2.5*3	H57	S130061001SD	M6*10
H8	S130470302SD	M2.5*3	H58	S130062201SD	M6*22
H9	S130470401MZ	M2.5*4	H59	S130062501SD	M6*25
H10	S130470402SA	M2.5*4	H60	S130063501SD	M6*35
H11	S130470403SD	M2.5*4	H61	S130064001SD	M6*40
H12	S130030301MZ	M3*3	H62	S130031501SD	M3*15
H13	S130030302SD	M3*3	H63	S130043501SD	M4*35
H14	S130030402SD	M3*4	H64	S130020201SD	M2*2
H15	S130030501MZ	M3*5	H65	S130470501SD	M2.5*5
H16	S130030502SD	M3*5	H66	S130052002MZ	M5*20
H17	S130030601MZ	M3*6	H67	S130054501SE	M5*45
H18	S130030602SD	M3*6	H68	S130050502MZ	M5*5
H19	S130030603SA	M3*6	H69	S130054001SD	M5*40
H20	S130030802SD	M3*8	H70	S130055001SD	M5*50
H21	S130030803SA	M3*8	H71	S130030801MZ	M3*8
H22	S130031001MZ	M3*10	H72	S130052201SD	M5*22
H23	S130031002SD	M3*10	H73	S130041802MZ	M4*18
H24	S130032001SD	M3*20	H74	S130055501SD	M5*55
H25	S130040401MZ	M4*4	H75	S130041202SD	M4*12 JIS
H26	S130040401SD	M4*4	H76	SA30740501CL	9/64*40*5
H27	S130040501MZ	M4*5	H77	SA30741001CL	9/64*40*10
H28	S130040502SD	M4*5			
H29	S130040601MZ	M4*6	J Round Head Screw		
H30	S130040602SD	M4*6	J1	S162020301MZ	M2*3
H31	S130040651SD	M4*6.5	J2	S162030801SD	M3*8
H32	S130040801MZ	M4*8	J3	S162030802SE	M3*8
H33	S130040802SD	M4*8	J4	S162031001MZ	M3*10
H34	S130040803MZ	M4*8 JIS			
H35	S130041002MZ	M4*10	K Slotted Set Screw		
H36	S130041001SD	M4*10	K1	SA71730351CN	1/8*44*3.5
H37	S130041201SD	M4*12	K2	SA71740601CN	9/64*40*6
H38	S130041502SD	M4*15	K3	SA71750251CN	11/64*40*2.5
H39	S130042001SD	M4*20	K4	SA71750351CN	11/64*40*3.5
H40	S130050501SD	M5*5	K5	SA71750401CN	11/64*40*4
H41	S130050602MZ	M5*6	K6	SA71750501CN	11/64*40*5
H42	S130050601SD	M5*6	K7	SA71790501CN	15/64*28*5
H43	S130050651SD	M5*6.5	K8	SA71791001CN	15/64*28*10
H44	S130050701SD	M5*7	K9	SA71791501CN	15/64*28*15
H45	S130050801MZ	M5*8	K10	SA71791701CN	15/64*28*17
H46	S130050802SD	M5*8	K11	SA71800401CN	1/4*40*4
H47	S130051002MZ	M5*10	K12	SA71800451CN	1/4*40*4.5
H48	S130051001SD	M5*10	K13	SA71800501CN	1/4*40*5
H49	S130051201MZ	M5*12	K14	SA71800601CN	1/4*40*6
H50	S130051202SD	M5*12	K15	SA71800801CN	1/4*40*8
H51	S130051501SD	M5*15	K16	SA71811201CN	9/32*28*12

K, L, M, N

No.	Part No.	Remark	No.	Part No.	Remark
K	Slotted Set Screw		L46	S170031501TN	M3*15
K17	S171050601TN	M5*6			
K18	S171030601SD	M3*6	M	Hexagon Socket Head Button Screw	
			M1	S124030401SC	M3*4
L	Hexagon Socket Head Set Screw		M2	S124040601SC	M4*6
L1	SA70730251CN	1/8*44*2.5	M3	S124040802SC	M4*8
L2	SA70730301CN	1/8*44*3	M4	S124040803SD	M4*8
L3	SA70750901CN	11/64*28*9	M5	S124051001SC	M5*10
L4	SA70750401CN	11/64*40*4	M6	S124051002SD	M5*10
L5	SA70750601CN	11/64*40*6	M7	S124051501SD	M5*15
L6	SA70750801CN	11/64*40*8	M8	S124081201SC	M8*12
L7	SA70790401CN	15/64*28*4	M9	S124081202SD	M8*12
L8	SA70790901CN	15/64*28*9	M10	S124081501SD	M8*15
L9	S170470301TN	M2.5*3	M11	S124030501SC	M3*5
L10	S170030201TN	M3*2	M12	S124030801SC	M3*8
L11	S170030301TN	M3*3	M13	S124030502TC	M3*5
L12	S170030401TN	M3*4	M14	S124030402SD	M3*4
L13	S170030501TN	M3*5	M15	S124030601SD	M3*6
L14	S170030601TN	M3*6	M16	S124040401SD	M4*4
L15	S170030801TN	M3*8	M17	S124030602SC	M3*6
L16	S170040301TN	M4*3	M18	S124030503SD	M3*5
L17	S170040401TN	M4*4	M19	S124031002SD	M3*10
L18	S170040501TN	M4*5	M20	S124041001SD	M4*10
L19	S170040601TN	M4*6	M21	S124051201SD	M5*12
L20	S170040602TN	M4*6 Half Threads			
L21	S170040801TN	M4*8	N	Screw with Washer	
L22	S170041001TN	M4*10	N1	S660480601SE	M2.6*6
L23	S170041201TN	M4*12	N2	S660030601SE	M3*6
L24	S170050401TN	M5*4	N3	S660030801SE	M3*8
L25	S170050501TN	M5*5	N4	S660031001SE	M3*10
L26	S170050601TN	M5*6	N5	S660031501SE	M3*15
L27	S170050801TN	M5*8	N6	S660031601SE	M3*16
L28	S170051001TN	M5*10	N7	S660031801SE	M3*18
L29	S170051201TN	M5*12	N8	S660040601SE	M4*6
L30	S170051501TN	M5*15	N9	S660040801SE	M4*8
L31	S170060501TN	M6*5	N10	S660041001SE	M4*10
L32	S170060601TN	M6*6	N11	S660041201SE	M4*12
L33	S170060801TN	M6*8	N12	S660045501SE	M4*55
L34	S170061001TN	M6*10	N13	S660051001SE	M5*10
L35	S170061801TN	M6*18	N14	S660051201SE	M5*12
L36	S170080801TN	M8*8	N15	S660051401SE	M5*14
L37	S170081001TN	M8*10	N16	S660051801SE	M5*18
L38	S170081501TN	M8*15	N17	S660030801MZ	M3*8
L39	S170031001TN	M3*10	N18	S660030502MZ	M3*5
L40	S170031201TN	M3*12	N19	S660031502MZ	M3*15
L41	S170053001TN	M5*30	N20	S660030603S1	M3*6 (P-4)
L42	S170061201TN	M6*12	N21	S660030802S1	M3*8 (P-3)
L43	S174060601TN	M6*6B	N22	S660030604S1	M3*6 (P-3)
L44	S170050802TN	M5*8 Narrow Treading	N23	S660031802S1	M3*18 (P-3)
L45	S170050602TN	M5*6 Narrow Treading	N24	S660040602S1	M4*6 (P-3)

N, P, R

No.	Part No.	Remark	No.	Part No.	Remark
N Screw with Washer			P29	S212050002SD	M5 Type 3
N25	S660040802S1	M4*8 (P-3)	P30	S217050001SD	M5 Cap
N26	S660041002S1	M4*10 (P-3)	P31	S210060001SC	M6 Type 1
N27	S660043001S1	M4*30 (P-3)	P32	S210060002SC	M6 Type 1 (Left)
N28	S660051002S1	M5*10 (P-3)	P33	S210060003SD	M6 Type 1
N29	S660031803S1	M3*18 (P-4)	P34	S210060004SD	M6 Type 1 (Left)
N30	S660030505S1	M3*5 (P-4)	P35	S212060001SC	M6 Type 3
N31	S660031504S1	M3*15 (P-4)	P36	S210080001SC	M8 Type 1
N32	S660031002S1	M3*10 (P-4)	P37	S210080002SD	M8 Type 1
N33	S660040803S1	M4*8 (P-4)	P38	S212080001SC	M8 Type 3
N34	S660030504S1	M3*5 (P-3)	P39	S212080002SD	M8 Type 3
N35	S660020401S1	M2*4 (P-4)	P40	S210100001SC	M10 Type 1
N36	S660031505S1	M3*15 (P-3)	P41	S213100002SD	M10 With Flange
N37	S660041202S1	M4*12 (P-3)	P42	S213100003SD	M10 With Disk Spring
N38	S660480401S1	M2.6*4 (P-4)	P43	S210120001SC	M12 Type 1
N39	S660031003S1	M3*10 (P-3)	P44	S212120001SC	M12 Type 3
N40	S660031602S1	M3*16 (P-3)	P45	S212120002SD	M12 Type 3
N41	S660030605S1	M3*6 (P-3) FOR THIN PLATE	P46	S210160001SD	M16 Type 1
N42	S660030803S1	M3*8 (P-4)	P47	S212160002SC	M16 Type 1
N43	S660031201S1	M3*12 (P-3)	P48	S212160001SD	M16 Type 3
			P49	S210200001SC	M20 Type 1
P Nut			P50	S212470001SC	M2.5 Type 3
P1	SB10730601CN	1/8*44*6*3	P51	SB12750701SC	11/64*7*2.2 Type 3
P2	SB10740601CL	9/64*40*6*2	P52	S211040001SD	M4 Type 2
P3	SB10740602CN	9/64*40*6*3	P53	SB12740601MZ	9/64*6*2 Type 3
P4	SB10750602CN	11/64*40*6*2	P54	SB10750601CN	11/64*6*2.2
P5	SB10750603CN	11/64*40*6*3	P55	S212030003SD	M3 Type 3
P6	SB10750701CN	11/64*40*7*3	P56	S217060001SD	M6 Cap
P7	SB11750701CN	11/64*40*7*3	P57	S217030001SD	M3 Cap
P8	S210420001XA	M1.6 Type 1	P58	S212200001SC	M20 Type 3
P9	S210020001SD	M2 Type 1	P59	S212160002SC	M16 Type 3
P10	S212020002SD	M2 Type 3	P60	SB10750702CN	11/64*7*2.2
P11	S210460002SD	M2.3 Type 1	P61	SB10740605CN	9/64*40*6*1.5
P12	S210470001MZ	M2.5 Type 1	P62	S213080002SD	M8 With Flange
P13	S212480001SD	M2.6 Type 3	P63	S213080001SD	M8 With Disk Spring
P14	S210030001MZ	M3 Type 1			
P15	S210030002SC	M3 Type 1	R Washer		
P16	S210030003SD	M3 Type 1	R1	S301410301MZ	Plain M1.4*3*t0.3
P17	S215030001SD	M3 Thumbscrew Type 2	R2	S301020351XZ	Plain M2*3.5*t0.5
P18	S212030001SC	M3 Type 3	R3	S301020431SD	Plain M2*4.3*t0.3
P19	S212030002SD	M3 Type 3	R4	S301480501XB	Plain M2.6*5*t0.5
P20	S212530001SC	M3.5 Type 3	R5	S301480751XB	Plain M2.6*7.5*t0.5
P21	S210040001SC	M4 Type 1	R6	S301030602XZ	Plain M3*6*t0.3
P22	S210040002SD	M4 Type 1	R7	S301030603SC	Plain M3*6*t0.5
P23	S212040001SC	M4 Type 3	R8	S301030601SD	Plain M3*6*t0.5
P24	S212040002SD	M4 Type 3	R9	S301030701SD	Plain M3*7*t0.5
P25	S217040001SD	M4 Cap	R10	S301030804SD	Plain M3*8*t0.3
P26	S210050001SC	M5 Type 1	R11	S301030805MZ	Plain M3*8*t0.5
P27	S210050002SD	M5 Type 1	R12	S301030801SC	Plain M3*8*t0.5
P28	S212050001SC	M5 Type 3	R13	S301030802SD	Plain M3*8*t0.5

R

No.	Part No.	Remark	No.	Part No.	Remark
R	Washer		R63	S304040851TP	With teeth M4
R14	S301030803SD	Plain M3*8*t1	R64	S304051001TP	With teeth M5
R15	S301040805SC	Plain M4*8*t0.5	R65	S306080001SC	Slant M8
R16	S301040802SD	Plain M4*8*t0.5	R66	S303040801SC	Disk Spring M4
R17	S301040804SC	Plain M4*8*t0.8	R67	S301041005EZ	Plain M4*10*t0.8
R18	S301040803SD	Plain M4*8*t0.8	R68	S301470252MZ	Plain M2.5*5*t0.5
R19	S301041004MZ	Plain M4*10*t0.8	R69	S301030605SD	Plain M3*6*t1.0
R20	S301041002SC	Plain M4*10*t0.8	R70	S301030604MZ	Plain M3*6*T0.5
R21	S301041003SD	Plain M4*10*t0.8	R71	S305051101TN	Wave M5
R22	S301041201SC	Plain M4*12*t1	R72	S301470253SD	Plain M2.5*5*t0.5
R23	S301051002SC	Plain M5*10*t0.8	R73	S301470251SC	Plain M2.5*5*t0.5
R24	S301051003SD	Plain M5*10*t0.8	R74	S305101451TN	Wave M10
R25	S301051204MZ	Plain M5*12*t0.8	R75	S304080001TP	With teeth M8
R26	S301051202SC	Plain M5*12*t0.8	R76	S301061152SD	Plain M6*11.5*t0.8
R27	S301051203SD	Plain M5*12*t0.8	R77	S301122601SC	Plain M12*26*t2.3
R28	S301061102SC	Plain M6*11*t1.6	R78	S304060002SD	With teeth M6
R29	S301061151SC	Plain M6*11.5*t0.8	R79	S304040852TP	With teeth M4 Outward
R30	S301061301SC	Plain M6*13*t1.0	R80	S301041202SD	Plain M4*12*t1.0
R31	S301061302SD	Plain M6*13*t1.0	R81	S301040901EZ	Plain M4*9*t0.3
R32	S301061601SC	Plain M6*16*t1.0	R82	S301051207EZ	Plain M5*12*t1.0
R33	S301081601SD	Plain M8*16*t1.2	R83	S301122601SD	Plain M12*26*t2.3
R34	S301081801SC	Plain M8*18*t1.6	R84	S402120002KD	Spring M12
R35	S301081802SD	Plain M8*18*t1.6			
R36	S301081803SC	Plain M8*18*t3.2			
R37	S301082201SC	Plain M8*22*t3.2			
R38	S301102201SC	Plain M10*22*t1.6			
R39	S301102601SC	Plain M10*26*t3.2			
R40	S301102602SD	Plain M10*26*t3.2			
R41	S301122051SC	Plain M12*20.5*t2			
R42	S301163201SD	Plain M16*32*t2.5			
R43	S402020001KD	Spring M2			
R44	S402480001KC	Spring M2.6			
R45	S402030001KC	Spring M3			
R46	S402030002KD	Spring M3			
R47	S402530001KC	Spring M3.5			
R48	S402040001KC	Spring M4			
R49	S402040002KD	Spring M4			
R50	S402050001KC	Spring M5			
R51	S402050002KD	Spring M5			
R52	S402050003MZ	Spring M5			
R53	S402060001KC	Spring M6			
R54	S402060002KD	Spring M6			
R55	S402080001KC	Spring M8			
R56	S402080002KD	Spring M8			
R57	S402100001KC	Spring M10			
R58	S402100002KD	Spring M10			
R59	S402120001KC	Spring M12			
R60	S305041101TP	Wave M4			
R61	S305051001TN	Wave M5			
R62	S305061051TN	Wave M6			

1st Edition February, 2019

2nd Edition May, 2019

■ **Manufactured by : TISM Co.,Ltd.**

Address : NO.1800, Ushiyama-cho, Kasugai, Aichi-pref., 486-0901, Japan

TEL : 81-568-33-1161 FAX : 81-568-33-1191

■ **Distributed by : Tajima Industries Ltd.**

Address : NO.1800, Ushiyama-cho, Kasugai, Aichi-pref., 486-0901, Japan

TEL : 81-568-37-1130 FAX : 81-568-37-1230

●**Copy, reprint, or reform of a part or whole of this manual without permission is prohibited.**

