

Epson® SureColor® P-Series  
P6000/P7000/P8000/P9000



Setup

## Contents

Unpacking and assembling the printer .....	2
Assembling the stand .....	5
Mounting the printer on the stand .....	7
Attaching the paper basket (SC-P6000/SC-P7000) .....	9
Attaching the paper basket (SC-P8000/SC-P9000) .....	16
Installing the optional internal print server .....	24
Completing setup and connecting the power cord .....	26
Installing ink .....	29
Loading roll paper .....	33
Placing roll paper in the printer .....	33
Loading roll paper for printing .....	39
Aligning the print head .....	40
Connecting to your system .....	41
Installing the software .....	42
Updating your printer firmware .....	42
Checking the current firmware version .....	42
Updating the firmware .....	42
Configuring the printer for your network .....	43

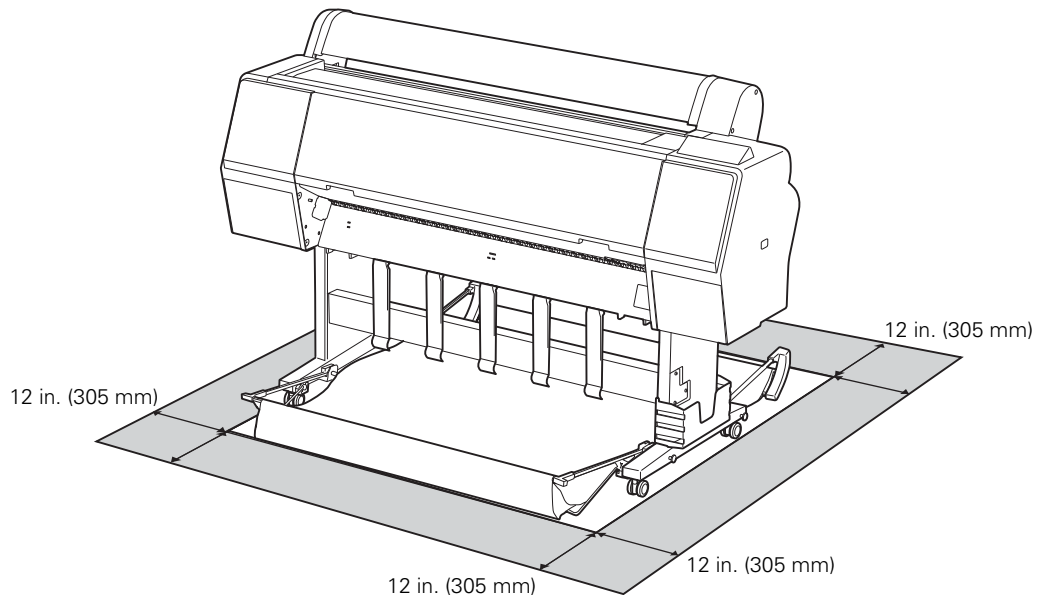
# Unpacking and assembling the printer

**Note:** Unless otherwise indicated, the illustrations in this guide show the SureColor® P8000/P9000, but the instructions apply to all models.

Follow these steps to assemble your printer and its stand.

Before you begin, make sure you have enough space to set up and use the printer—at least 12 inches (305 mm) on all sides in addition to the dimensions of the printer and stand:

- 53.4 × 35.6 inches (1356 × 903 mm) for the SC-P6000/SC-P7000
- 73.4 × 52 inches (1864 × 1318 mm) for the SC-P8000/SC-P9000



When choosing a place for the printer, choose a flat, stable location with adequate room for easy access and ventilation. Avoid locations subject to direct sunlight, excessive heat, moisture, or dust. Also avoid locations near potential sources of electromagnetic interference, such as loudspeakers, cordless phones, TVs, or air conditioners.

**WARNING:** Four people are required to unpack and install the printer.

You need additional floor space to assemble the printer and stand, so be sure to prepare a large, empty area before unpacking them. For assembly, you need floor space of approximately:

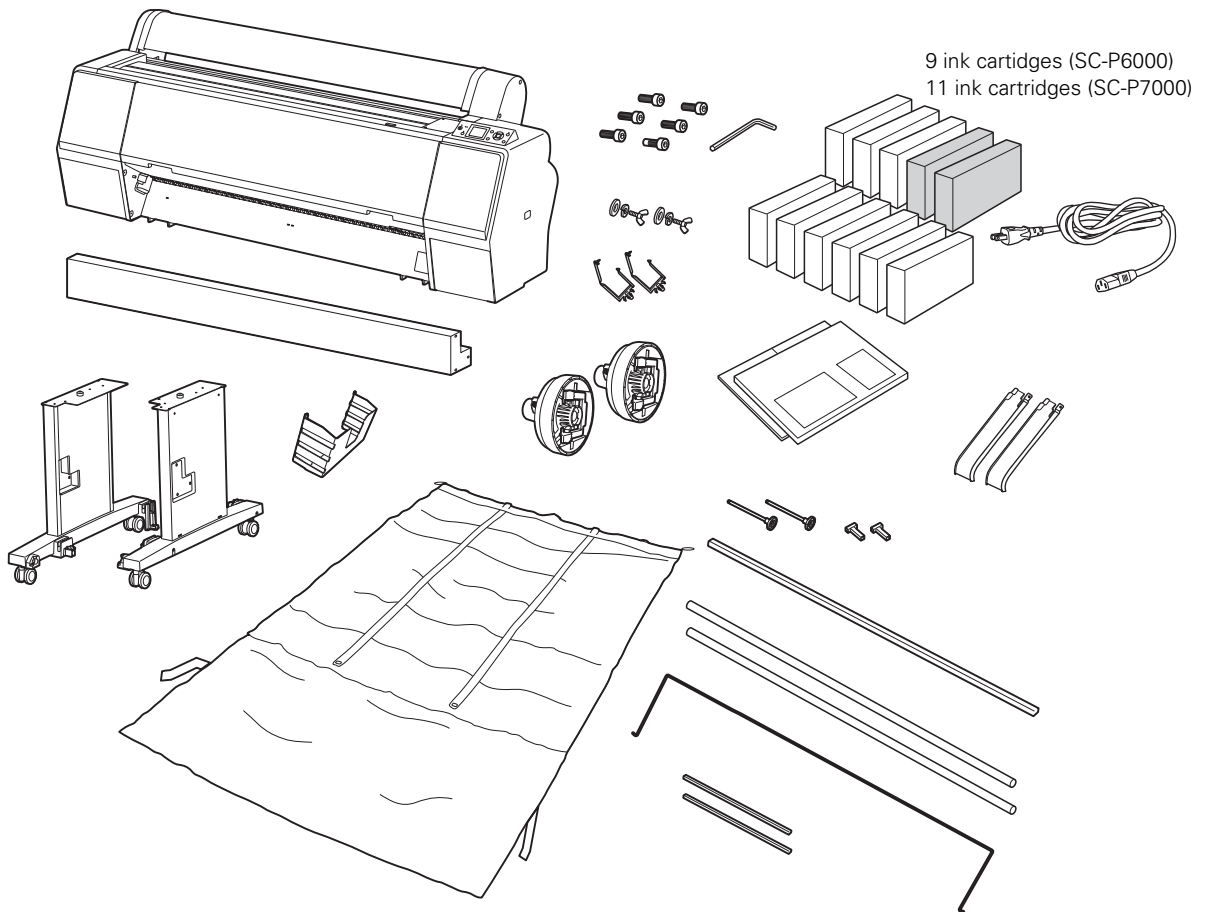
- 8 × 8 feet (2.4 × 2.4 m) for the SC-P6000/SC-P7000 and stand
- 13 × 13 feet (4 × 4 m) for the SC-P8000/SC-P9000 and stand

**Note:** Make sure you save the box and packaging in case you need to ship the printer.

For the SC-P7000/SC-P9000, the ink cartridges included in the box depend on which version of the printer you purchased. The Standard edition includes the Light Light Black (LLK) cartridge, while the Commercial edition includes the Violet (V) cartridge.

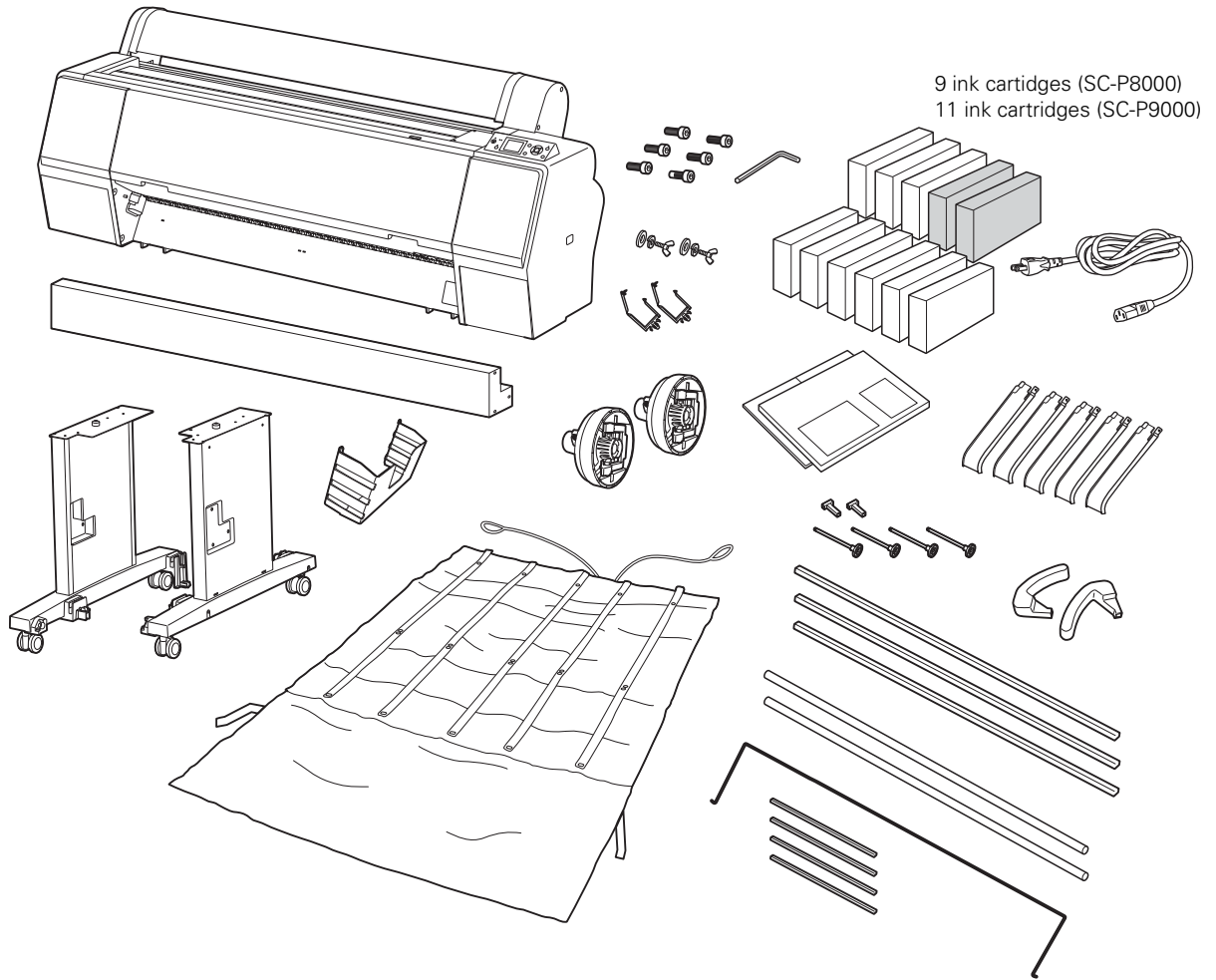
The following items are included with your printer:

### SC-P6000/SC-P7000



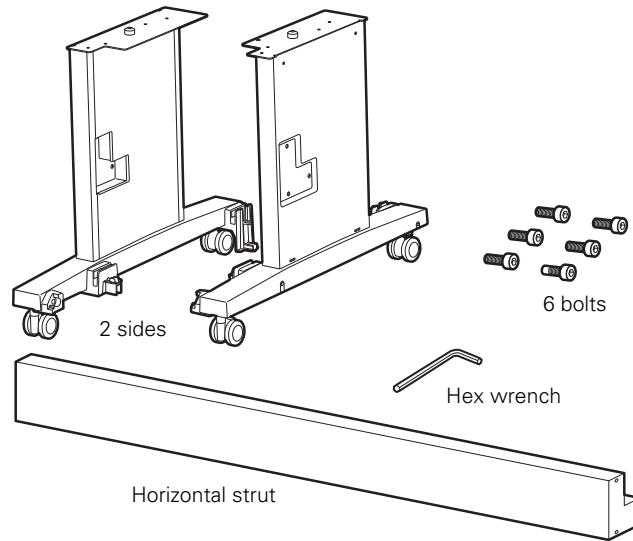
## 4 | Unpacking and assembling the printer

SC-P8000/SC-P9000

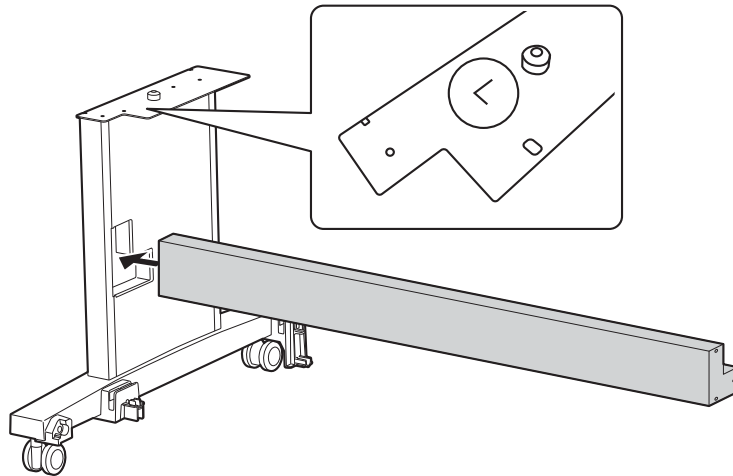


## Assembling the stand

1. Make sure you have all of these items:

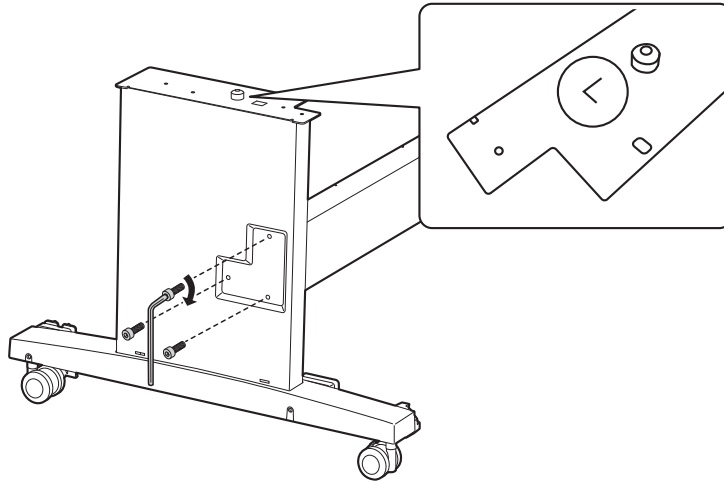


2. Insert the strut into the left side of the stand. (The sides of the stand are labeled L and R.)

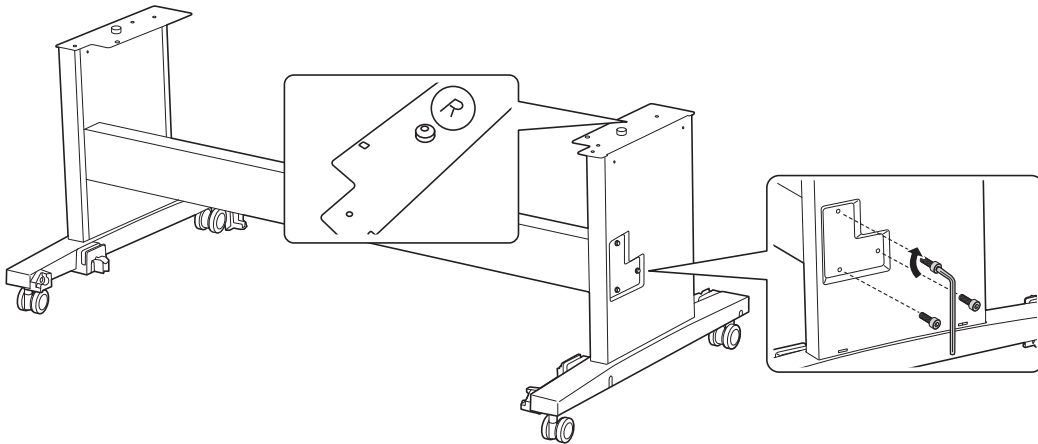


## 6 | Assembling the stand

3. Fasten the strut with 3 bolts. Use the hex wrench to tighten the bolts.

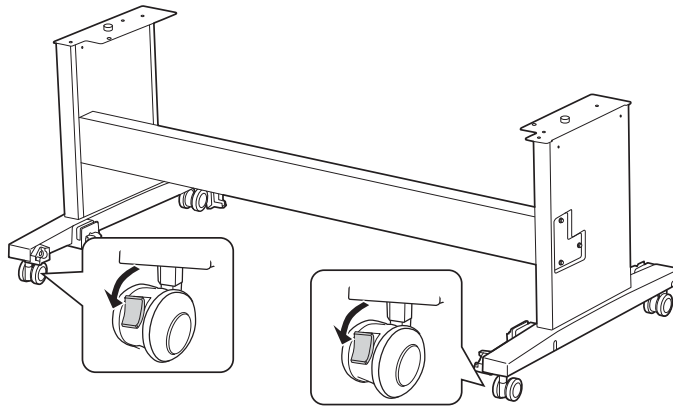


4. Insert the strut into the right side and fasten it with 3 bolts.



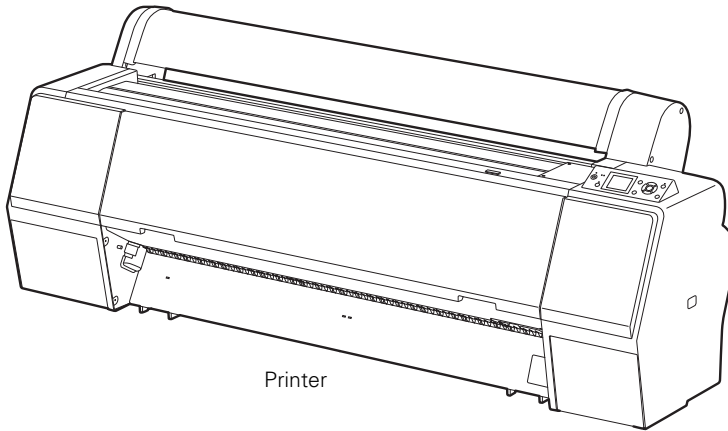
**Note:** Make sure you tighten all bolts before moving to the next step.

5. Lock the casters.



## Mounting the printer on the stand

1. Make sure you have these items:



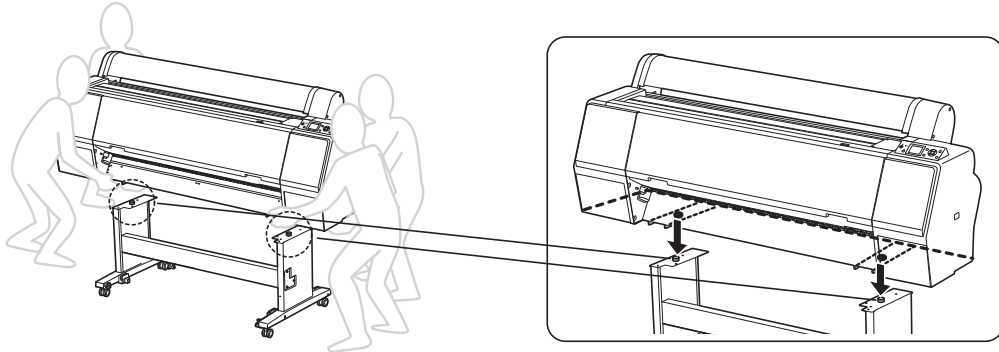
2 wing screws with lock washers

2. Remove the cardboard panels and other printer packing materials.



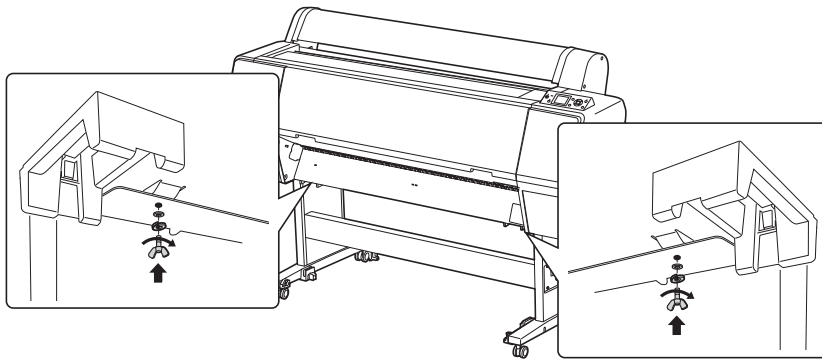
## 8 | Mounting the printer on the stand

3. Lift the printer and mount it on the stand, aligning the pegs with the holes on the bottom of the printer.



**WARNING:** Four or more people are required to lift the printer.

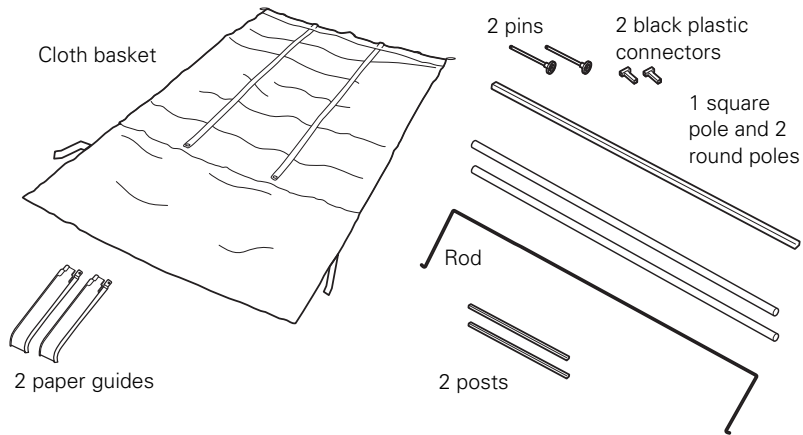
4. Insert the printer to the stand with the wing screws and washers.



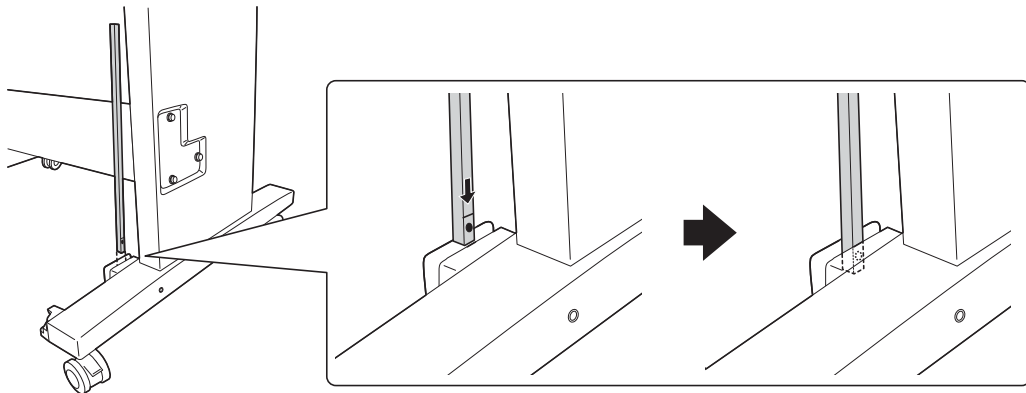
## Attaching the paper basket (SC-P6000/SC-P7000)

The paper basket is a cloth sheet that attaches to the printer stand and catches your prints without damaging them. If you have the SC-P8000/SC-P9000, see page 16 for instructions on attaching the paper basket.

1. Make sure you have all the included paper basket parts.

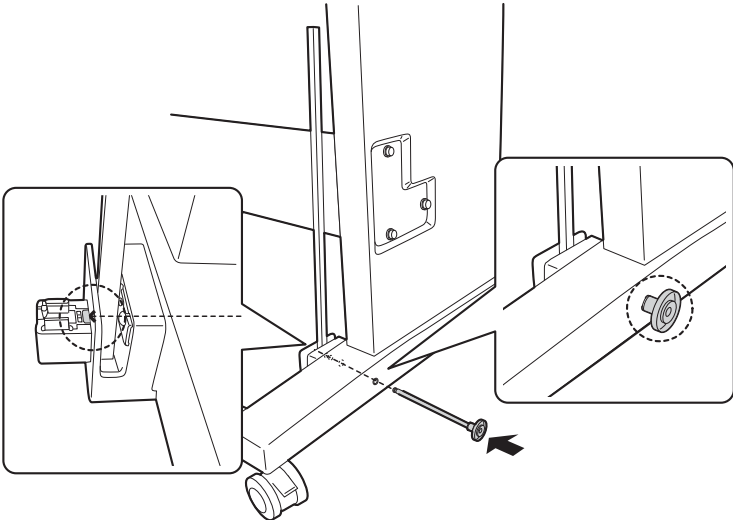


2. Insert the two short posts, one on each side of the stand.

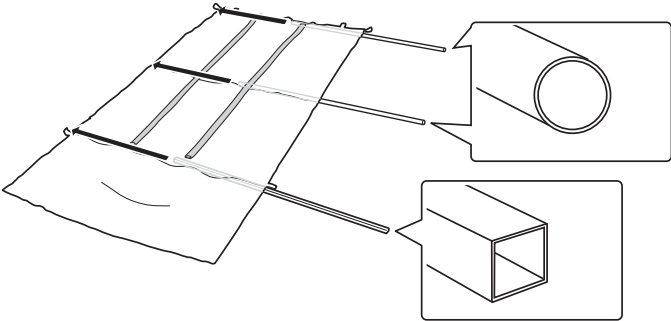


**10 | Attaching the paper basket (SC-P6000/SC-P7000)**

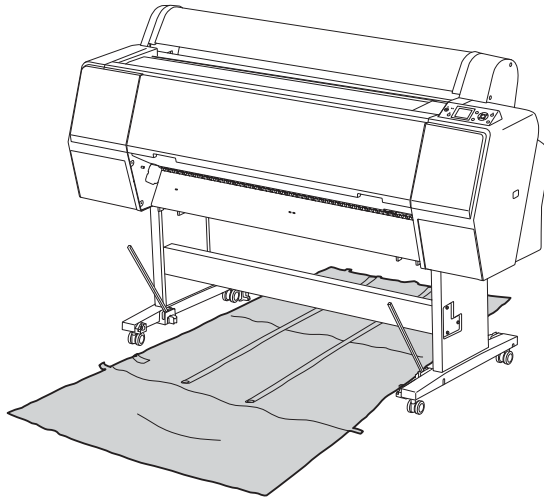
**3.** Use the pins to fasten the posts in place.



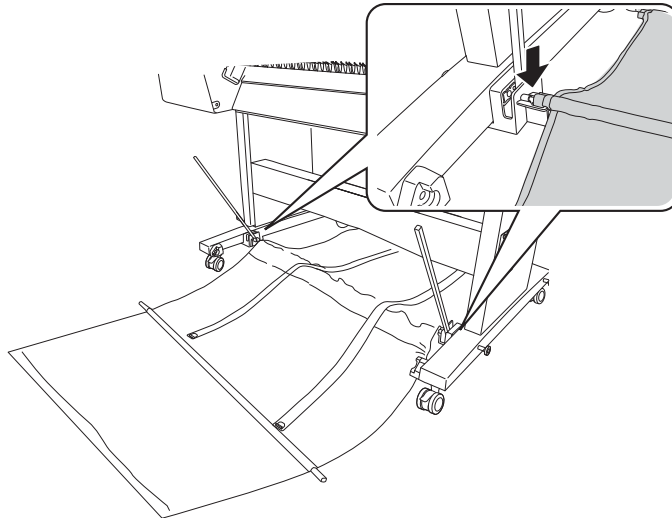
**4.** Insert the round and square poles into the basket cloth.



5. Place the basket under the printer.

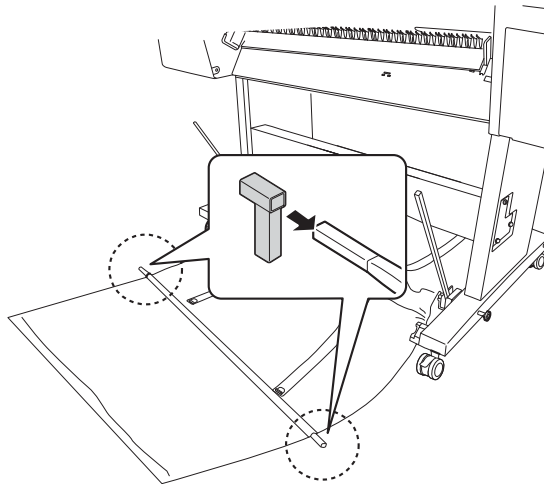


6. Snap the center pole into the holders on each side of the stand.

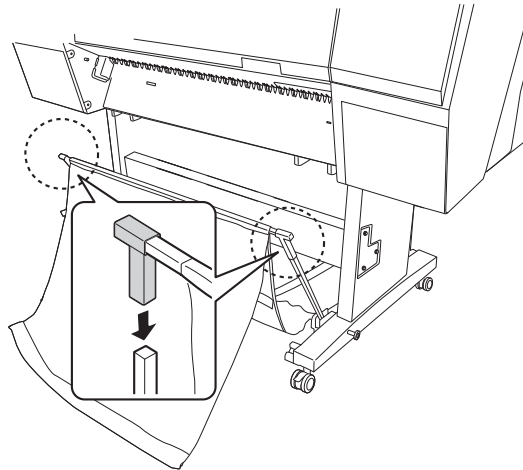


## 12 | Attaching the paper basket (SC-P6000/SC-P7000)

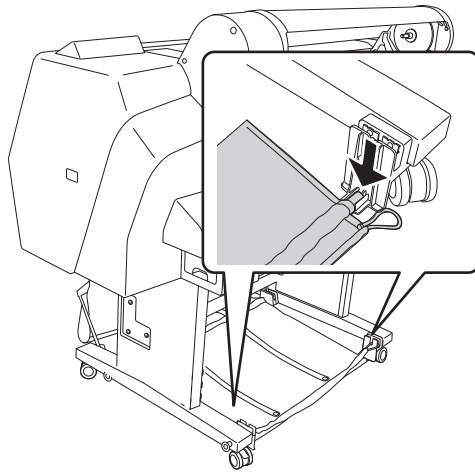
7. Insert the black plastic connectors into both ends of the square pole.



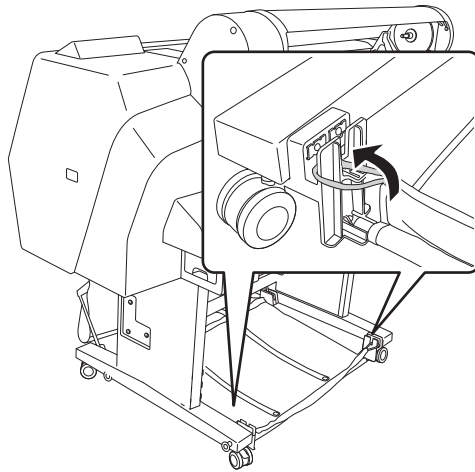
8. Fasten the black plastic connectors onto the posts on each side of the stand.



9. Snap the back pole into the holders.

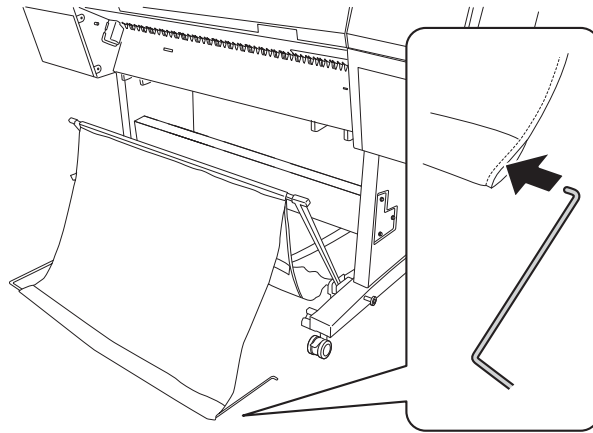


10. Hook the loops around the pins on the back of the stand legs.

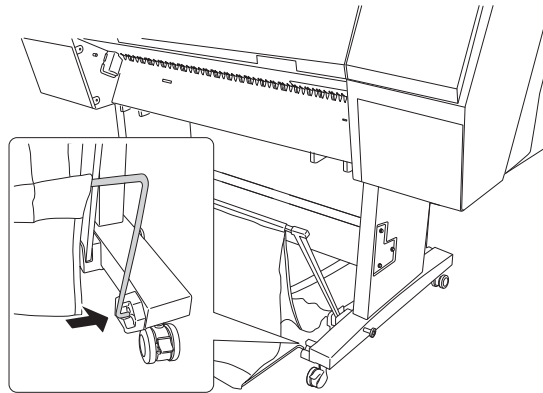


**14 | Attaching the paper basket (SC-P6000/SC-P7000)**

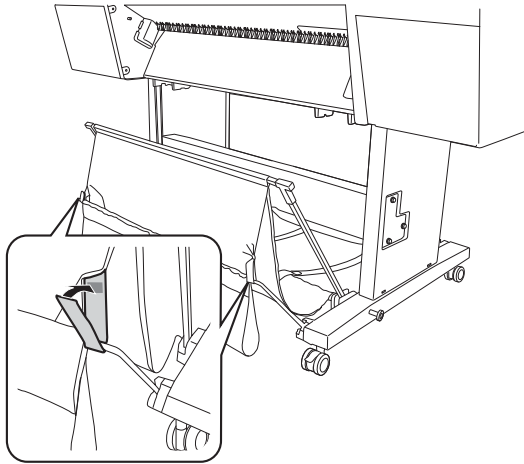
**11.** Insert the rod into the fabric channel.



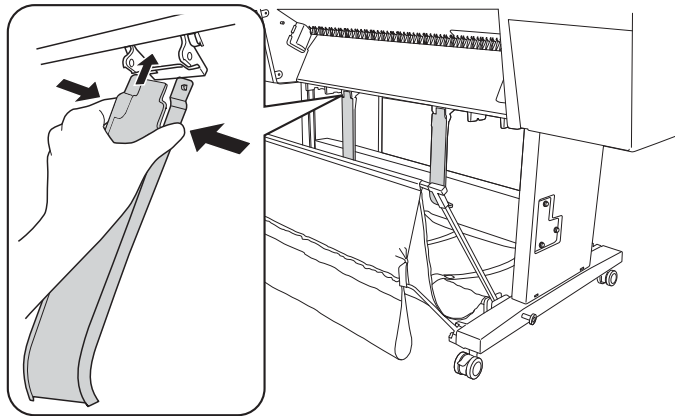
**12.** Insert the free ends of the rod into the holes in the sides of the stand.



13. Loop the tabs over the ends of the rod.



14. Attach the paper guides to the bottom of the printer.



See “Installing the optional internal print server” on page 24 to continue setup.

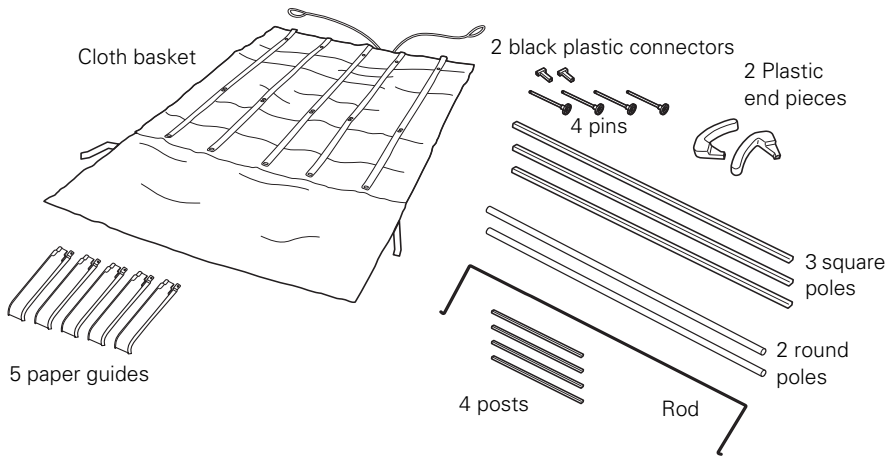


## Attaching the paper basket (SC-P8000/SC-P9000)

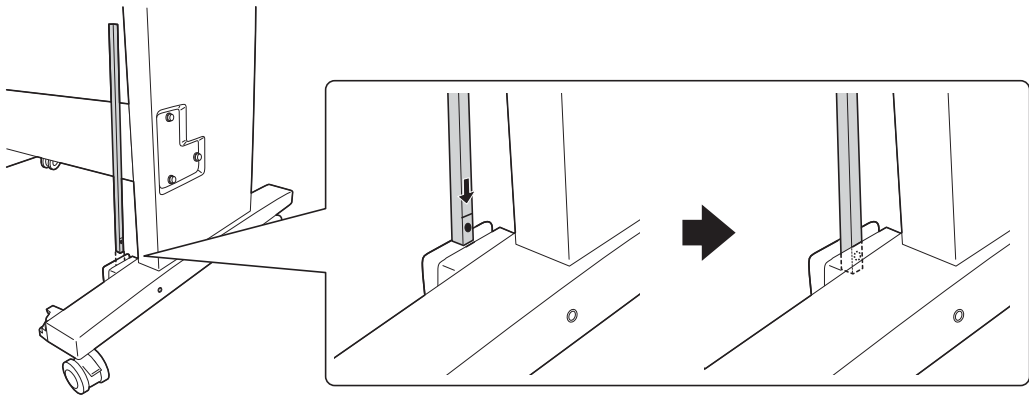
The paper basket is a cloth sheet that attaches to the printer stand and catches your prints without damaging them. If you have the SC-P6000/SC-P7000, see page 9 for instructions on attaching the paper basket.

**Note:** The paper basket should not be attached if you are using the optional Auto Take-up Reel.

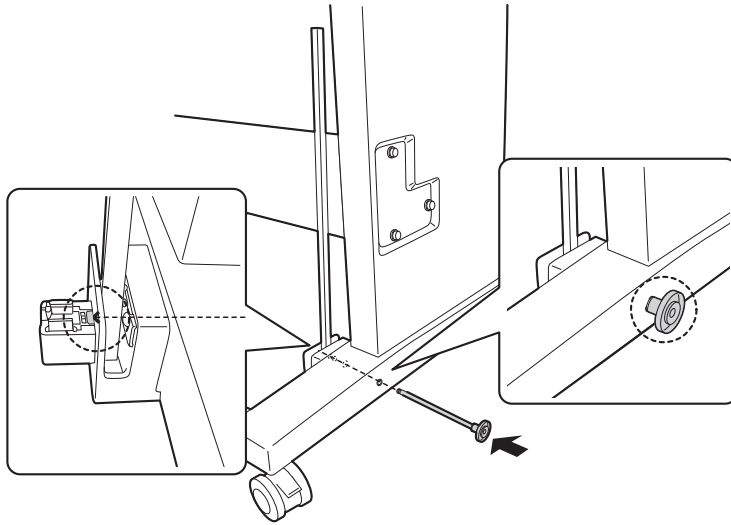
1. Make sure you have all the included paper basket parts.



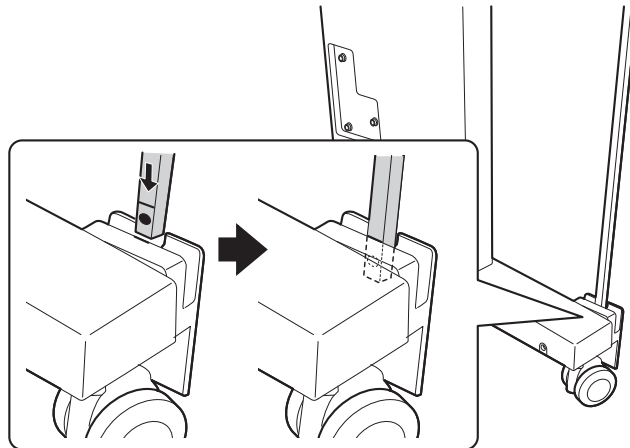
2. Attach two of the posts to the front of the stand, one on each side.



3. Use the pins to fasten the posts in place.

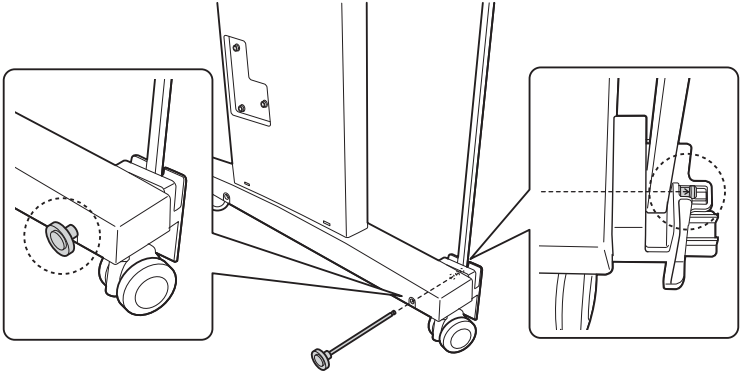


4. Attach the other two posts to the back of the stand.

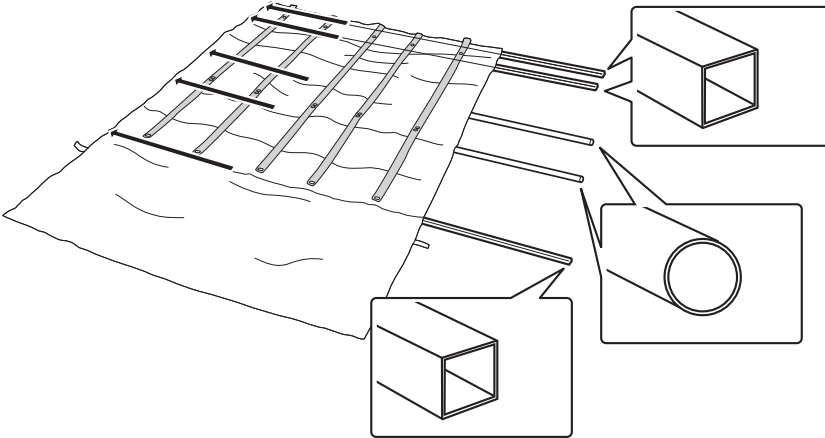


**18 | Attaching the paper basket (SC-P8000/SC-P9000)**

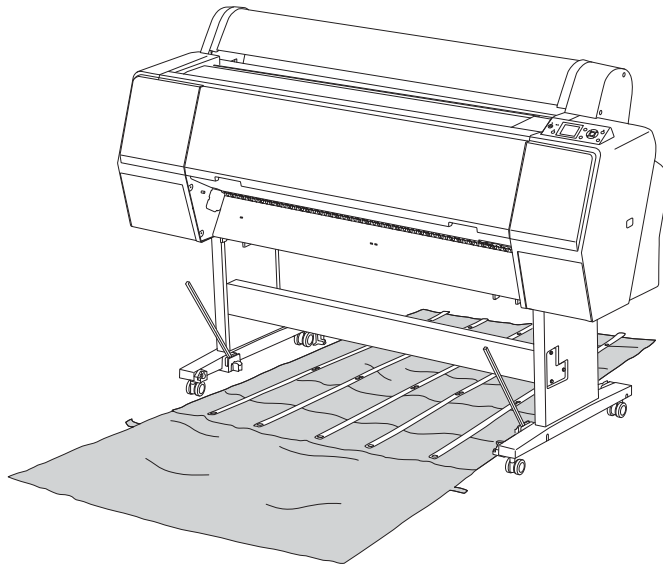
**5.** Use the pins to fasten the posts in place.



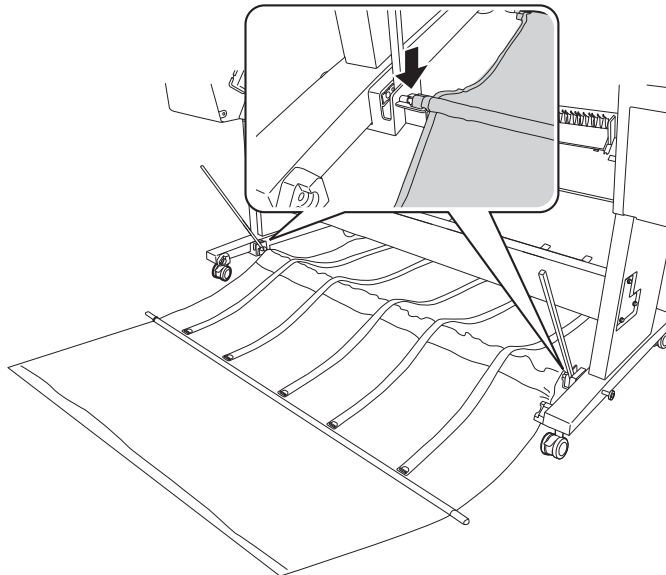
**6.** Insert the round and square poles into the basket cloth.



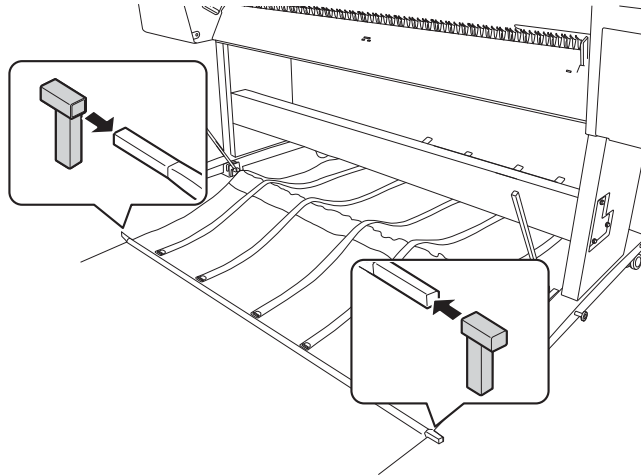
7. Place the basket under the printer.



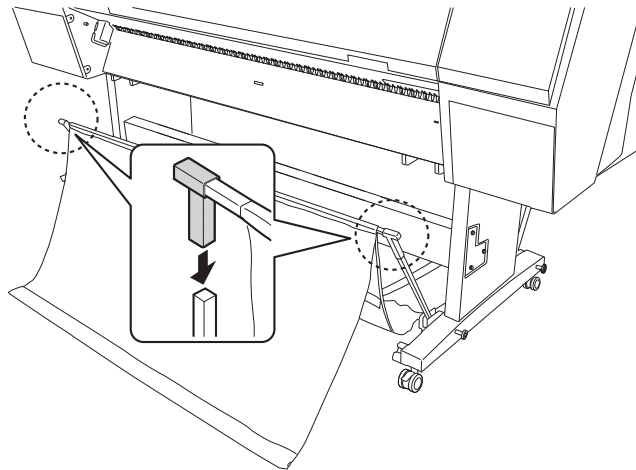
8. Snap the center pole in the holders on each side of the stand.



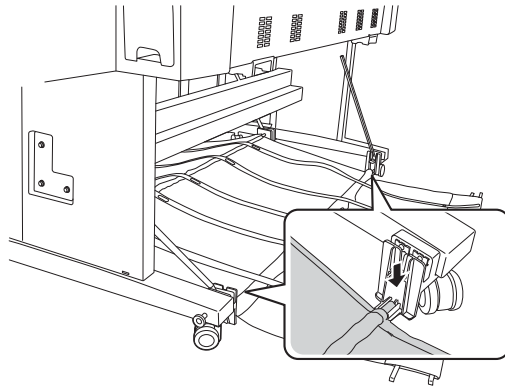
9. Insert the black plastic connectors into both ends of the square pole.



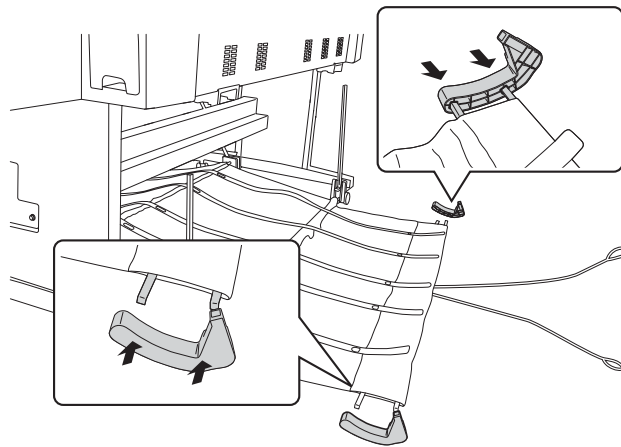
10. Insert the black plastic connectors onto the posts on each side of the stand.



11. Snap the back pole into the holders.

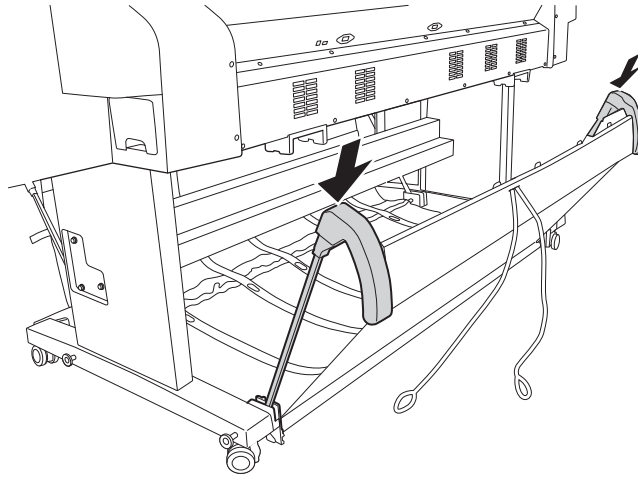


12. Attach the end pieces to the poles at the back of the basket.

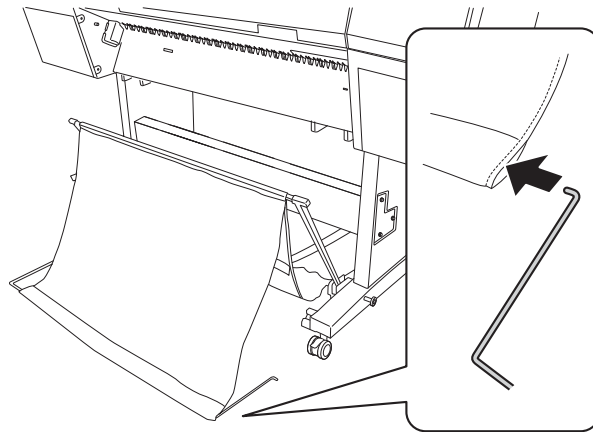


**22 | Attaching the paper basket (SC-P8000/SC-P9000)**

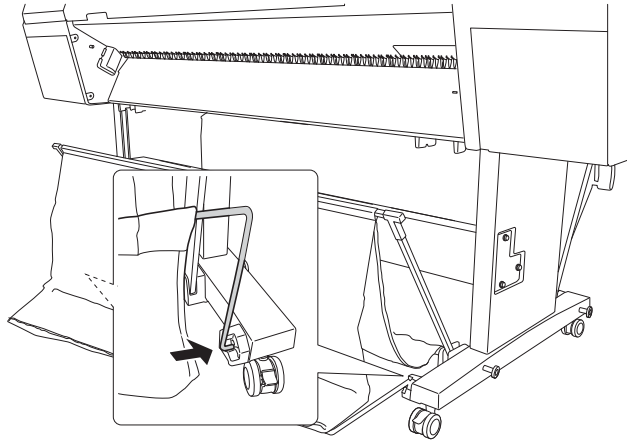
**13.** Lift the back of the basket and attach the end pieces to the posts at the back of the stand.



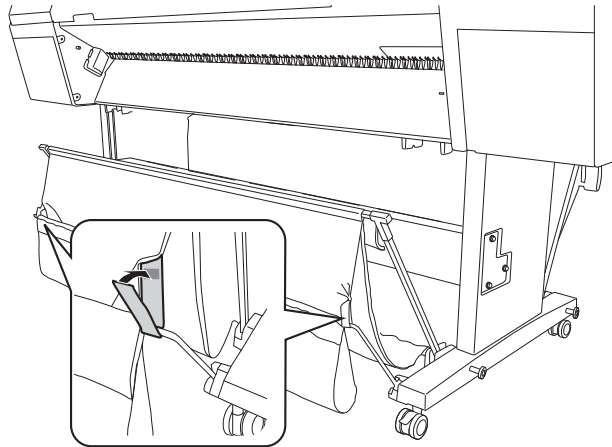
**14.** Insert the rod into the fabric channel.



15. Insert the free ends of the rod into the holes in the sides of the stand.

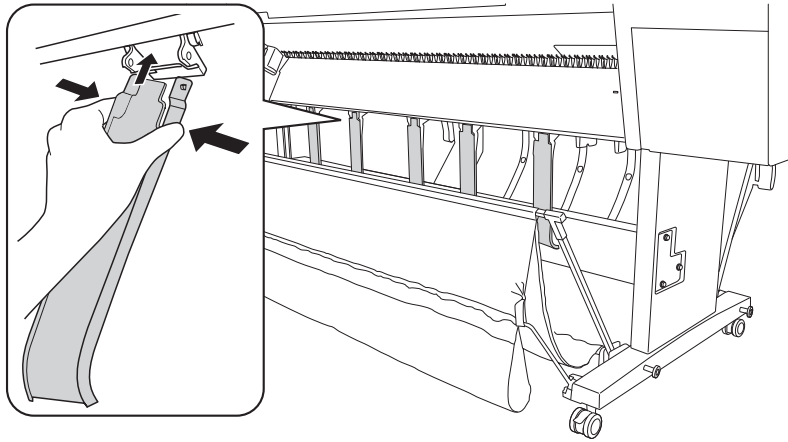


16. Loop the tabs over the rod





17. Attach the paper guides to the bottom of the printer.

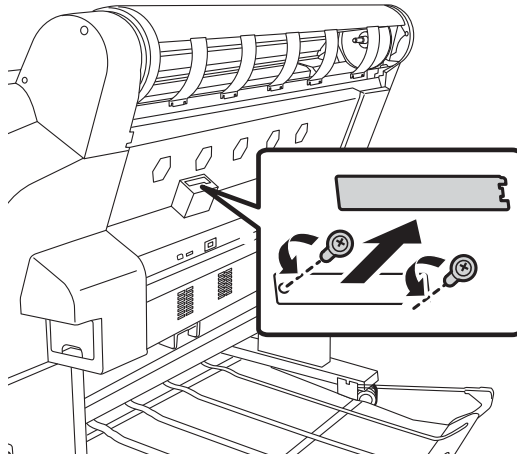


### Installing the optional internal print server

If you purchased the optional internal print server (part number C12C848031), follow these steps to install it in your printer.

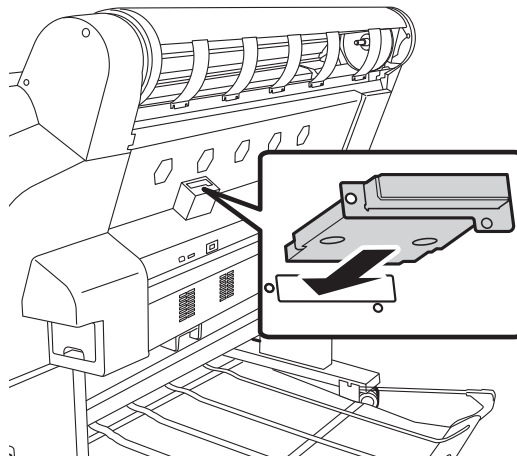
1. If you have already plugged in the printer, turn the printer off and unplug the power cord before installing the internal print server.

2. Remove the two screws securing the option slot cover to the back of the printer, then remove the cover.

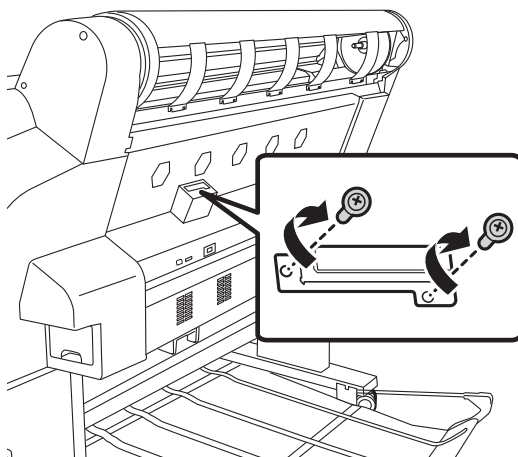


**Note:** Make sure you save the option slot cover. Remove the internal print server and re-attach the cover if you ever need to ship the printer.

3. Insert the internal print server into the slot.

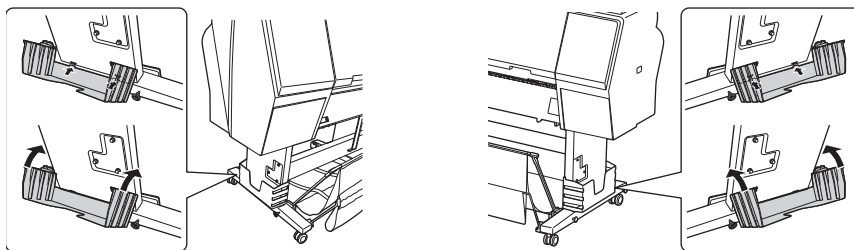


4. Secure the internal print server using the screws you removed.



## Completing setup and connecting the power cord

1. Attach the manual holder to the left or right side of the stand. Store this *Setup* guide and the *Quick Reference* guide in the holder.

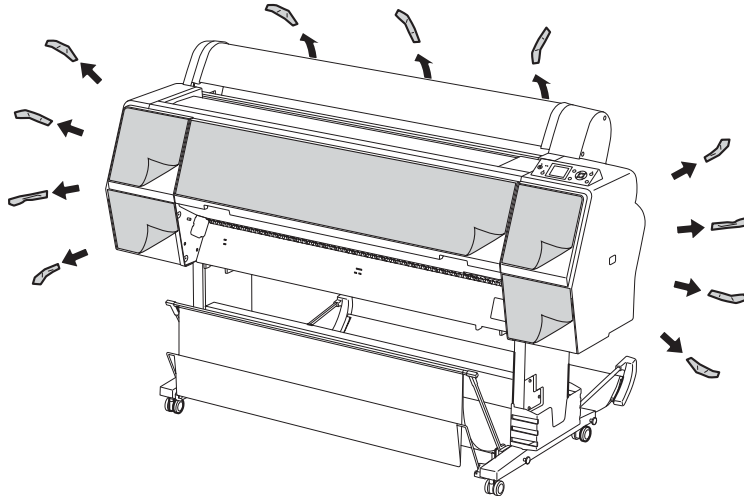


2. Unlock the casters and move the printer to its final location. Lock the casters after moving the printer.

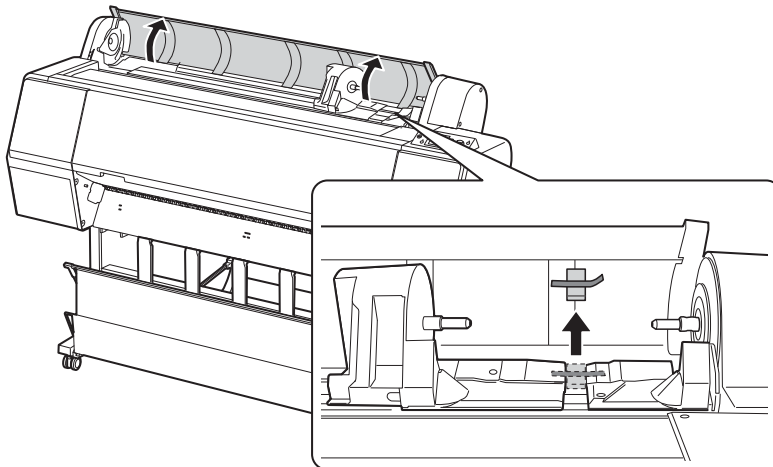
**Note:** The casters are only meant for moving the printer a short distance over smooth surfaces.

3. Remove any packing tape and plastic film. Check these areas:

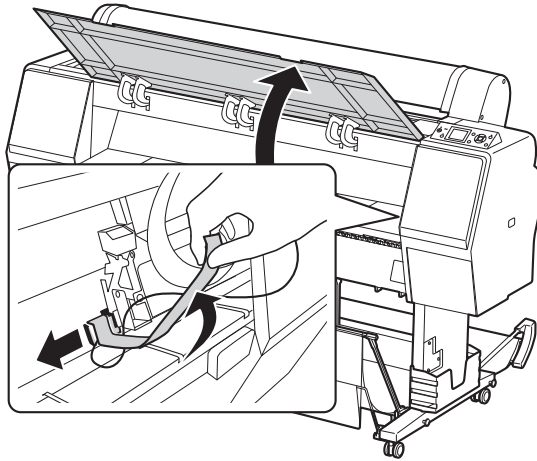
- the front cover
- the ink compartment covers
- the maintenance tank(s)



4. Open the roll paper cover and remove the tape and packing material.

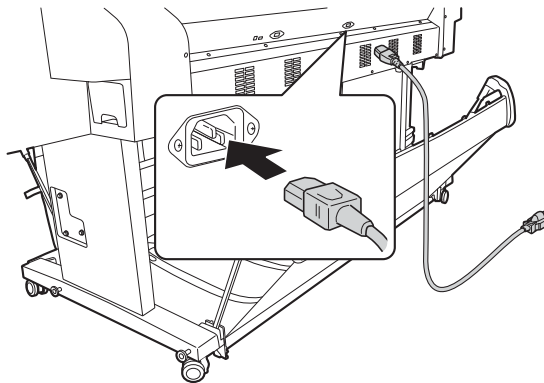


5. Open the front cover and remove the tape and packing material.

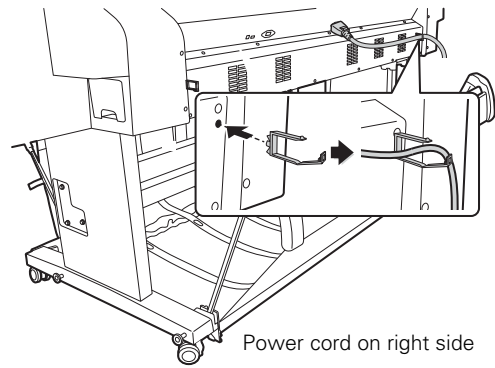
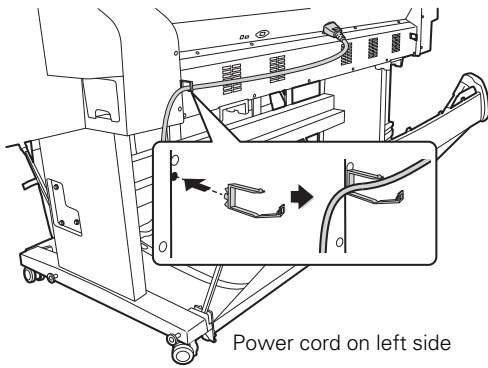


**Note:** Save the packing material in case you need to ship the printer.

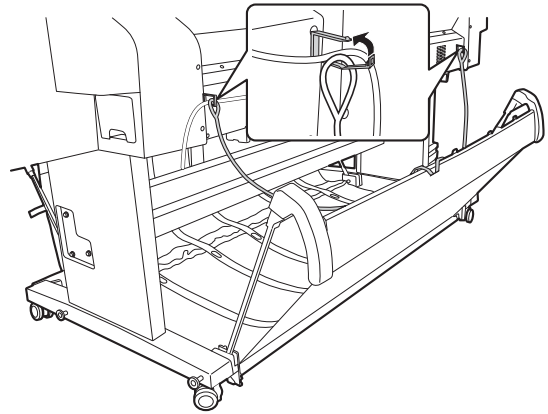
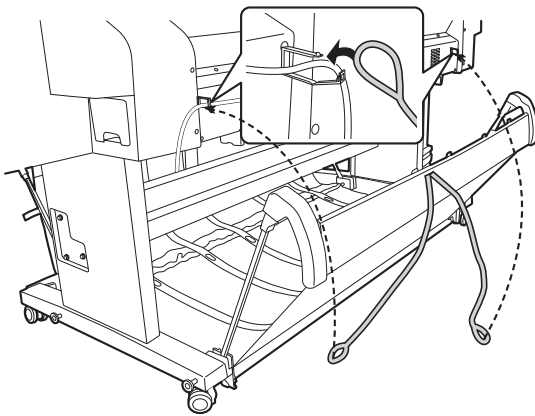
6. Close the front cover.
7. Connect the power cord to the AC inlet on the back of the printer.



8. Attach the cable guides to the left or right side of the printer back and route the power cord to the side of the printer as shown.



9. For the SC-P8000/SC-P9000, attach the loops on the paper basket cords to the cable guides.




10. Plug the power cord into a properly grounded electrical outlet.

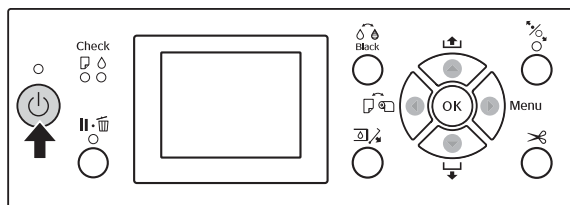
**Caution:** Do not use an outlet that is controlled by an automatic timer or wall switch. Otherwise, you may accidentally shut off the printer and cause damage to the print head.

## Installing ink

Use the ink cartridges that came with your printer for initial ink charging. During the initial installation process, it is normal for most of the ink in each cartridge to be used.

The cartridges shipped with your printer are provided mainly to charge the ink system. Make sure you order a new set of cartridges as soon as possible.

1. Press the  power button to turn on the printer.



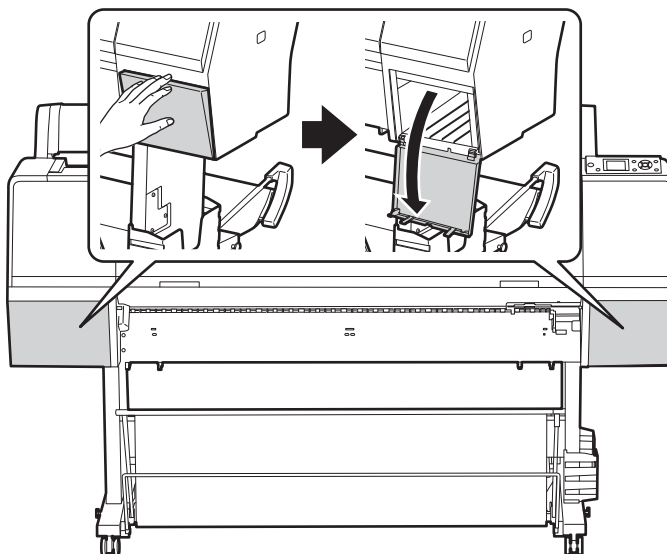
2. Select the language, date/time, and units of measurement for the printer.

**Note:** For the SC-P7000/SC-P9000, choose the Select ColorMode setting that matches the ink cartridge that was included with your printer. This setting cannot be changed once the initial ink charging process begins.

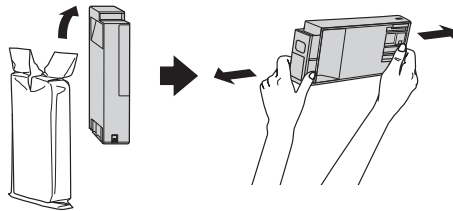
After about a minute, Install Ink Cartridge appears on the LCD screen and the ink covers pop open slightly.

**Caution:** Do not open the ink covers until the lock is released.

3. Open both ink covers.



4. Remove the ink cartridges from their packages, then gently shake each cartridge for about 5 seconds.



5. Install the ink cartridges in the slots that correspond to each cartridge.

SC-P6000/SC-P8000:

Left ink bay		Right ink bay	
Slot no.	Cartridge	Slot no.	Cartridge
1	Cyan (C)	6	Vivid Magenta (VM)
2	Yellow (Y)	7	Light Black (LK)
3	Light Cyan (LC)	8	Light Light Black (LLK)
4	Matte Black (MK)	9	Vivid Light Magenta (VLM)
5	Photo Black (PK)		

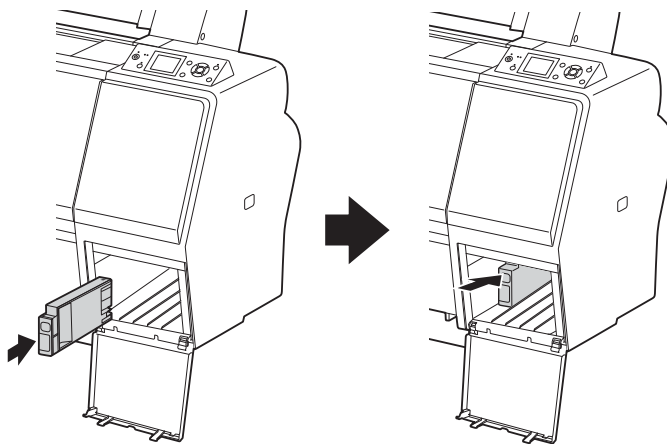
SC-P7000/SC-P9000:

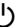
Left ink bay		Right ink bay	
Slot no.	Cartridge	Slot no.	Cartridge
1	Cyan (C)	7	Vivid Magenta (VM)
2	Orange (OR)	8	Light Black (LK)
3	Yellow (Y)	9	Green (GR)
4	Light Cyan (LC)	10	Light Light Black (LLK) or Violet (V)
5	Matte Black (MK)	11	Vivid Light Magenta (VLM)
6	Photo Black (PK)		

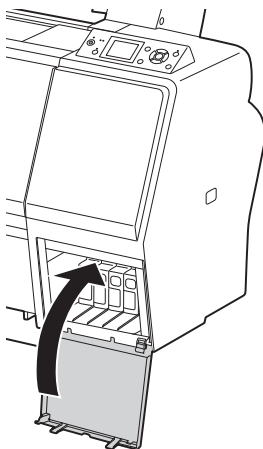
**Caution:** For the SC-P7000/SC-P9000, you must choose the Select ColorMode setting that matches the ink cartridge that was included with your printer. The Standard edition for photographic and fine art printing includes the Light Light Black (LLK) cartridge, while the Commercial edition for graphic arts and proofing applications includes the Violet (V) cartridge. This setting cannot be changed once the initial ink charging process begins.




Hold each cartridge with the arrow pointing toward the printer, then insert it into its slot until it clicks into place. Make sure you insert each cartridge all the way into the correct slot.



6. After installing all of the cartridges, close the ink covers. The printer begins charging the ink delivery system and the  power light flashes.



**Note:** For the SC-P7000/SC-P9000, if you see  over the ink icon on the control panel you may have selected the wrong Select ColorMode option. Turn the printer off and back on and select the option that matches the ink set that you installed.

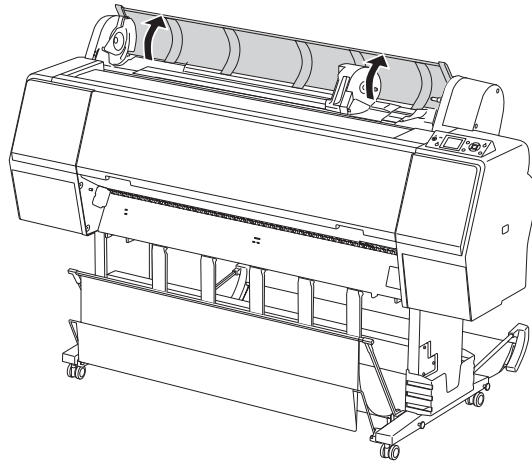
After ink charging is complete, you need to load paper before **Ready** appears on the display.

## Loading roll paper

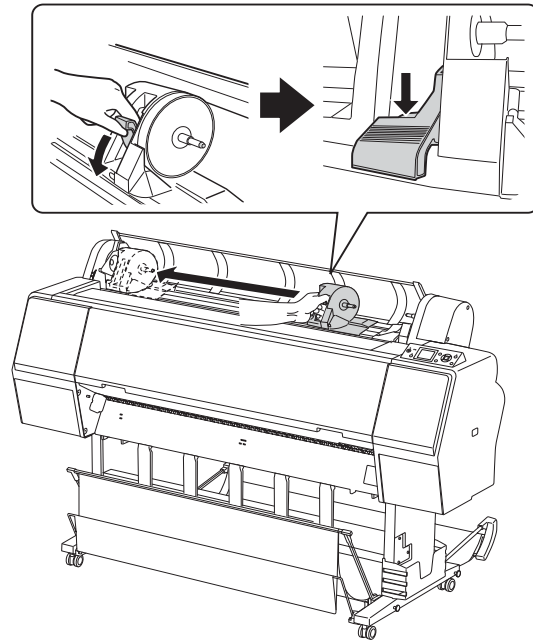
You can use roll paper with a 2- or 3-inch core and a width of up to 24 inches (61 cm) for the SC-P6000/SC-P7000, or 44 inches (112 cm) for the SC-P8000/SC-P9000.

### Placing roll paper in the printer

1. Open the roll paper cover.

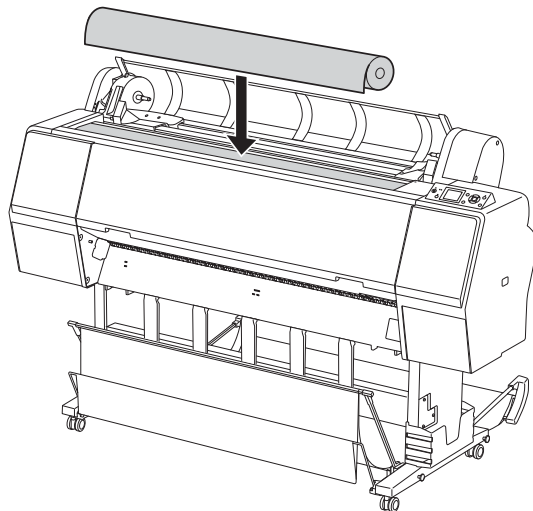


2. Push the lock lever down firmly, then move the roll paper holder to the left.



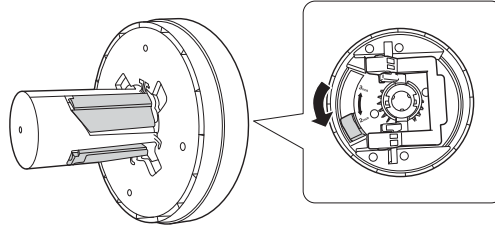
**Note:** Make sure you push the lock lever all the way down. If the lever is raised at all, the lock is still on.

3. Place the roll on top of the printer.

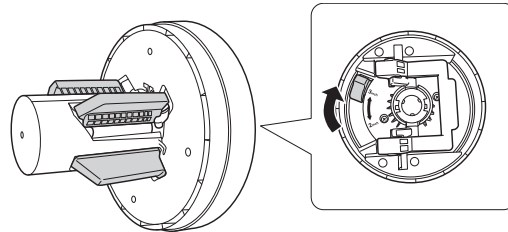


4. If necessary, adjust the roll media adapters to fit the core size of the roll paper.

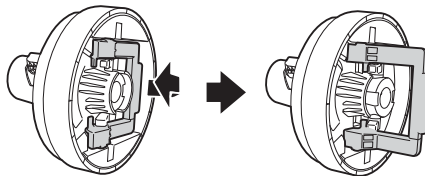
2-inch core:



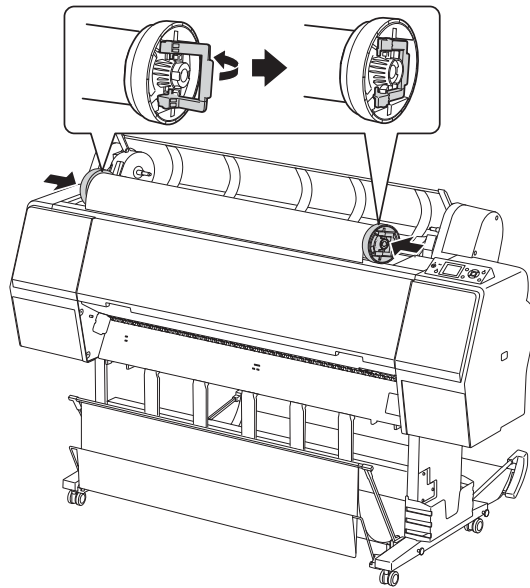
3-inch core:



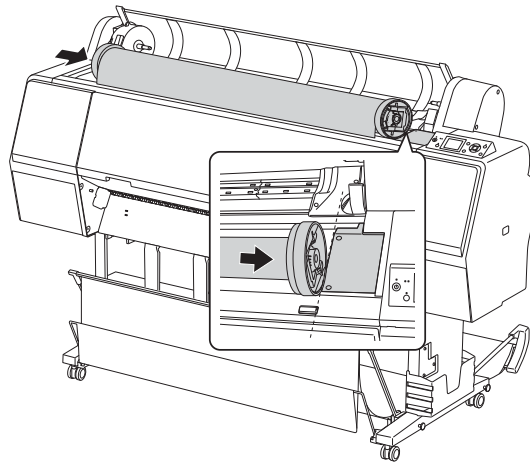
5. Release the tension lever on both adapters.



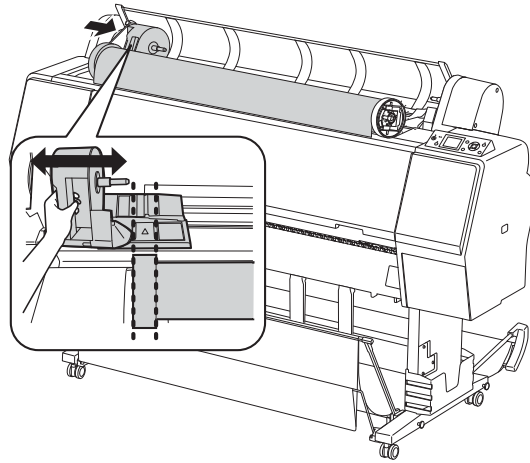
6. Push the adapters into the paper core at both ends of the roll. Then pull down the tension levers.



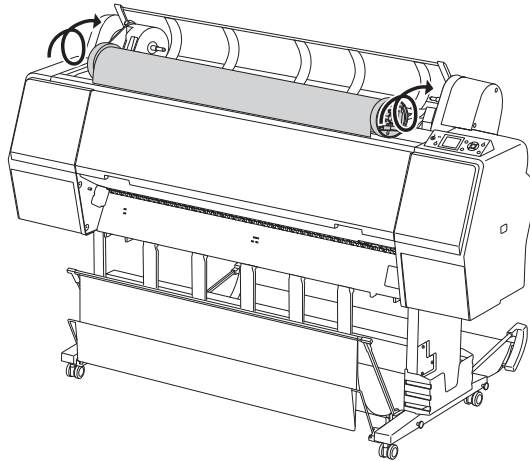
7. Move the roll paper to the right side until it touches the roll paper guide.



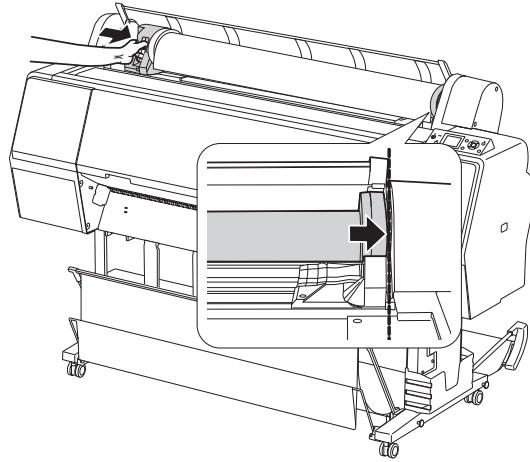
8. Slide the roll paper holder to align the left adapter with the ▲ on the holder.



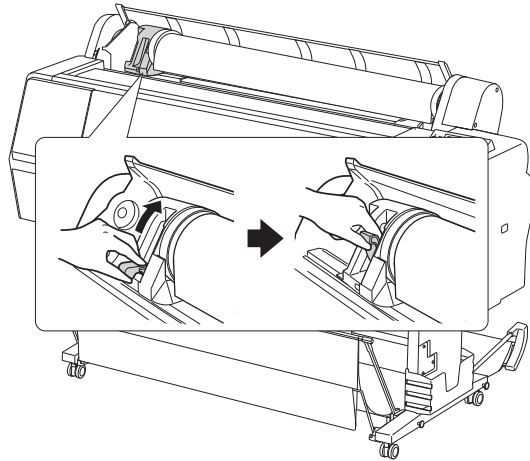
9. Roll the paper slowly into position.





10. Slide the roll paper holder to the right to secure it in the printer. Make sure both ends of the roll paper are secured in the adapters.



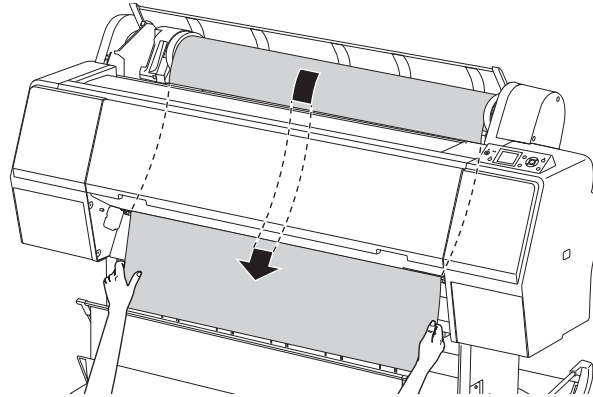
11. Pull up the lock lever to lock the paper in place.



12. If the  light is not on, press the  button.

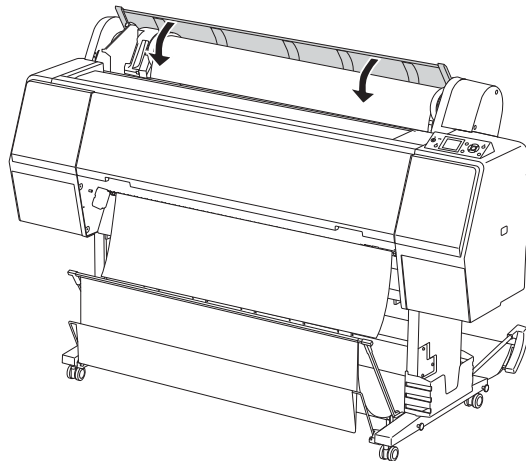
## Loading roll paper for printing

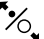
1. Insert the paper into the slot and pull it down until the edge of the paper is in the center of the stand.




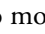
If the paper doesn't come out, you may need to decrease the suction by pressing the ▼ Paper Feed button. Make sure you return the suction to its default setting after the paper is loaded.

2. Close the roll paper cover.



3. Press the  button.

**Note:** If the roll paper has an uneven or damaged leading edge, that may cause loading issues; press the  button to trim it.

4. Press the  button to move the paper into printing position or wait for the paper to move into position automatically.



5. On the screen that appears on the LCD screen, select **Keep Settings Above** if the paper settings are correct, or select **Change Settings**, then adjust the settings.
6. Press OK.

To avoid indenting or creasing the paper, remove it from the paper path and roll it up when you are not printing.

**Note:** See the *Quick Reference* guide or the online *User's Guide* for more details on paper handling.

## **Aligning the print head**

Properly aligning the print head ensures the best print quality. If banding appears on your prints, if they look grainy or blurry, or if you see misregistration or “ghosting,” you need to align the print head.

Although you can align the print head using the printer utility software, aligning the printer from the control panel will quickly and automatically perform the most thorough alignment.

1. Make sure the printer is turned on, and that the printer is loaded with the included Epson Doubleweight Matte paper.  
**Note:** Make sure you select the correct paper type on the printer.
2. Press the ► **Menu** button.
3. Press the ▲ or ▼ button to select **Maintenance**, then press the ► button.
4. Press the ▲ or ▼ button to select **Head Alignment**, then press the ► button.
5. Press the ▲ or ▼ button to select **Auto**, then press the ► button.
6. Press the ▲ or ▼ button to select **Bi-D All Color**. You should start with this type of alignment.
7. Press the OK button to start the alignment process
8. When the bi-directional alignment is completed, repeat this procedure with the **Uni-D** setting.

Each head alignment takes about 10 minutes. The printer's white beam sensor reads the alignment pattern and adjusts the printer automatically. Make sure you don't open the front cover or turn off the printer during this process.

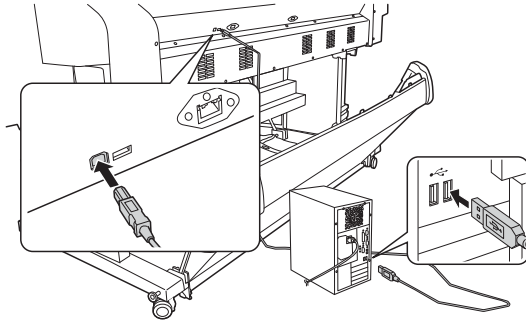
## Connecting to your system

You can use a USB and/or an Ethernet network connection.

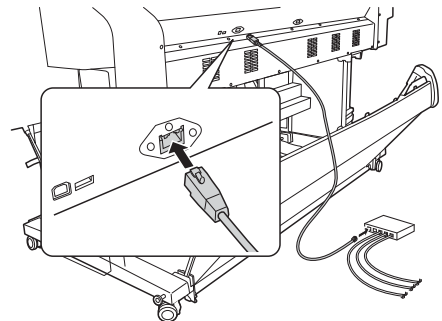
For a USB connection, make sure your system has the appropriate port and you have a standard, shielded cable 10 feet (6 m) long or less.

To connect to a network hub, you need a standard RJ-45 CAT-6 network cable. To connect directly to your computer's network interface, you need an RJ-45 CAT-6 crossover cable.

1. Make sure that both the printer and the computer are turned off.
2. Plug the cable into the appropriate port on the printer.



USB connection



Network connection

**Note:** Route the communication cable (USB or Ethernet) through the cable guide not used by the power cord.

3. Plug the other end of the cable into the appropriate port on your computer, network switch, or hub.

## Installing the software

Download and run your product's software package:

- [www.epson.com/support/p6000](http://www.epson.com/support/p6000) (U.S.) or [www.epson.ca/support/p6000](http://www.epson.ca/support/p6000) (Canada)
- [www.epson.com/support/p7000](http://www.epson.com/support/p7000) (U.S.) or [www.epson.ca/support/p7000](http://www.epson.ca/support/p7000) (Canada)
- [www.epson.com/support/p8000](http://www.epson.com/support/p8000) (U.S.) or [www.epson.ca/support/p8000](http://www.epson.ca/support/p8000) (Canada)
- [www.epson.com/support/p9000](http://www.epson.com/support/p9000) (U.S.) or [www.epson.ca/support/p9000](http://www.epson.ca/support/p9000) (Canada)

Follow the instructions on the screen to run the setup program.

## Updating your printer firmware

To keep your printer features and functionality up to date, you should periodically check for a new version of firmware on the Epson support site and update your printer, if necessary.

### Checking the current firmware version

1. Press the Menu button.
2. Press the ▼ button until **Printer Status** is highlighted, then press OK.
3. Press the ▼ button again until **Firmware Version** is displayed, then press OK. Note the firmware version displayed. When finished, press the ◀ button.

### Updating the firmware

Before updating your printer's firmware, make sure your printer is turned on, connected to your computer or network, and that the LCD screen shows the **READY** status.

1. Visit the support page for your product:
  - [www.epson.com/support/p6000](http://www.epson.com/support/p6000) (U.S.) or [www.epson.ca/support/p6000](http://www.epson.ca/support/p6000) (Canada)
  - [www.epson.com/support/p7000](http://www.epson.com/support/p7000) (U.S.) or [www.epson.ca/support/p7000](http://www.epson.ca/support/p7000) (Canada)
  - [www.epson.com/support/p8000](http://www.epson.com/support/p8000) (U.S.) or [www.epson.ca/support/p8000](http://www.epson.ca/support/p8000) (Canada)
  - [www.epson.com/support/p9000](http://www.epson.com/support/p9000) (U.S.) or [www.epson.ca/support/p9000](http://www.epson.ca/support/p9000) (Canada)
2. Click **Drivers & Downloads**.

3. Click **Firmware**.
4. Click **Download**.
5. Double-click the firmware file that you downloaded.

**Note:** Make sure your printer is turned on and connected to your computer or network before you run the firmware file.

6. Follow the on-screen instructions to install the new firmware on your printer.

**Caution:** Don't turn off the printer while the firmware is updating. The printer automatically turns off when the firmware update is complete.

If you connected to your printer through a network, follow the instructions in the next section to configure the printer for your network.

## Configuring the printer for your network

Once the printer is connected to your network, follow these steps to configure it:

1. Turn on the printer.
2. Start EpsonNet Config.  
EpsonNet Config searches for all Epson printers on the network and displays the MAC address for each printer that it finds.
3. Highlight the printer you want to configure and click **Configuration** to access the TCP/IP selection screen.
4. If necessary, contact your network administrator for instructions on assigning an appropriate IP address. A static IP address is recommended.

EPSON and SureColor are registered trademarks, and EPSON Exceed Your Vision is a registered logomark of Seiko Epson Corporation.

General Notice: Other product names used herein are for identification purposes only and may be trademarks of their respective owners. Epson disclaims any and all rights in those marks.

This information is subject to change without notice.

