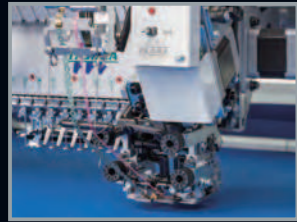


Factory option



ESQ-C (Easy Sequin Device Color Change Type)

The ESQ-C realizes sequin embroidery accuracy. It also drastically improves and shortens the adjustment time. This has been realized by redesigning the complex mechanism of the Sequin device. It's much easier to interchange sequin sizes than before.



SBC (Smart Bobbin Changer)

Replacement bobbins are held and set into their respective rotary hooks. Completed in only 6 seconds!! It takes the SBC only 6 seconds to replace the bobbins on all heads. Because replacement bobbins can be set beforehand while the embroidery machine is in operation, the downtime of the machine due to bobbin replacement can be drastically reduced.

Model	Needles	Multicolor heads	Head interval	Embroidery space [mm] D × W	Embroidery area [mm]		
					A	B	C
TMCP-V0620F(550×200)D	6	20	200D(W)	550 × 200(400)	5,365	1,610	1,635
TMCP-V0912F(680×345)S	9	12	345S	680 × 345	5,455	1,820	1,635
TMCP-V0918F(800×400)S	9	18	400S	800 × 400	8,565	2,080	1,635
TMCP-V0920F(680×330)S	9	20	330S	680 × 330	7,915	1,820	1,635
TMCP-V1204F(680×400)S	12	4	400S	680 × 400	2,865	1,820	1,535
TMCP-V1212F(680×345)S	12	12	345S	680 × 345	5,455	1,820	1,635
TMCP-V1215F(680×400)S	12	15	400S	680 × 400	7,355	1,820	1,635

*Contact us for other specifications and more details.

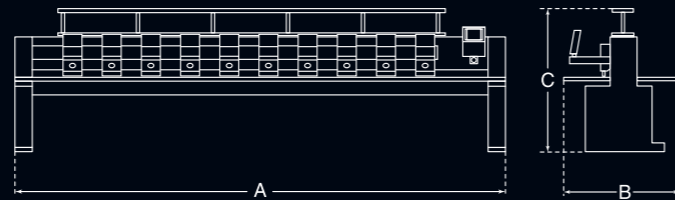
● Specifications

Mainshaft motor : AC servo motor
X and Y axis motor : AC servo motor
Power supply : 3-phase 200-240 / 380 / 415V 50/60Hz
Single-phase 200-240V

Revolution : Max. 1,100 rpm
Power consumption : 1.2KW

Factory options : Automatic lubrication system,
SBC (Smart Bobbin Changer), UBC II (Bobbin Changer II),
ESQ-C (Easy Sequin Device Color Change Type),
Sequin Device IV, Seed Beads Device

Dealer option : Beam sensor, Boring device II, Position Marker



Seller

Tajima Industries Ltd.

19-22, Shirakabe 3-chome, Higashi-ku Nagoya 461-0011 JAPAN
TEL. +81-52-932-3444, 3445 FAX. +81-52-932-2457, 3449



<http://www.tajima.com> <https://www.facebook.com/TajimaGroup>

Manufacturer

TISM Co.,Ltd.

*The actual embroidery area and embroidery speed may vary depending on the items being produced, the machine model, and the embroidering conditions.
*Caution: No registered trademark or product design contained in this catalog may be used without prior permission from the manufacturer.

Please contact our distributor listed below.



* The specifications and designs of our products are subject to change without notice for performance improvement.

1809A_02

TMCP-VF SERIES

ELECTRONIC MULTI-HEAD AUTOMATIC EMBROIDERY MACHINE

The new world standard.

High productivity High stability High usability High durability
Exquisite and Impressive embroidery



FS
made



Fashioning your Future Tajima always leads, never follows

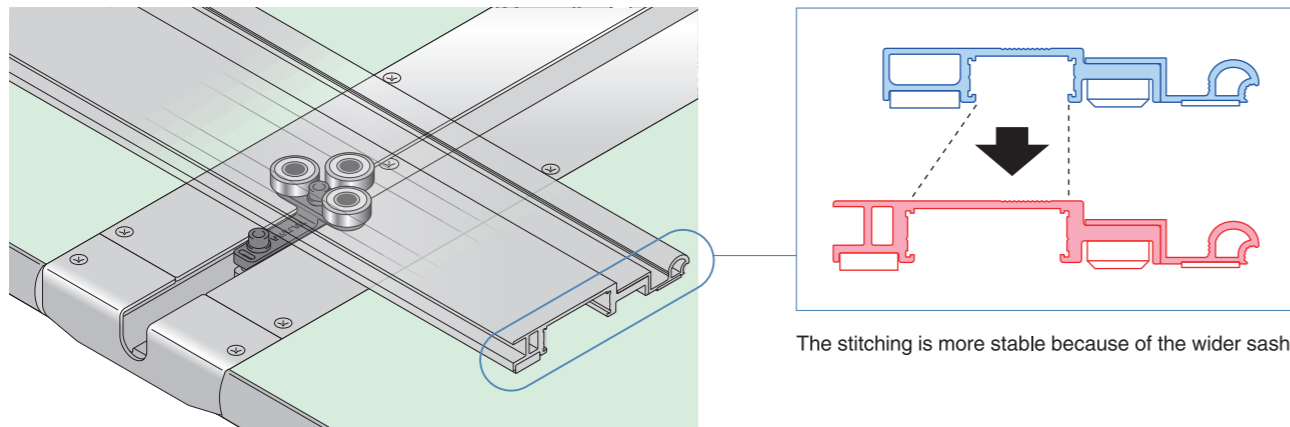
TMCP-VF SERIES

ELECTRONIC MULTI-HEAD AUTOMATIC EMBROIDERY MACHINE

Features

On to newer heights

The TMCP-VF SERIES has more improved stitching stability and embroidery quality than the TFGN-II series. To enhance the machine foundation, the output of the frame drive motors is improved and an energy efficient AC servo motor is adopted as a main shaft motor. Also, a reinforced sash; which was introduced for large machines, has been adopted to all TMCP-VF series.

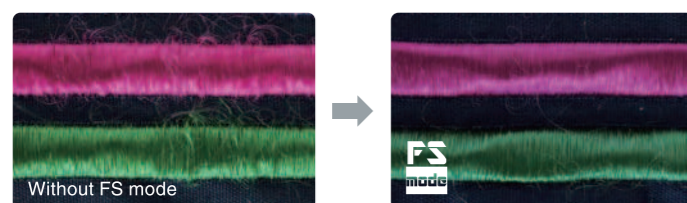


The stitching is more stable because of the wider sash.

FS mode to expand material variations



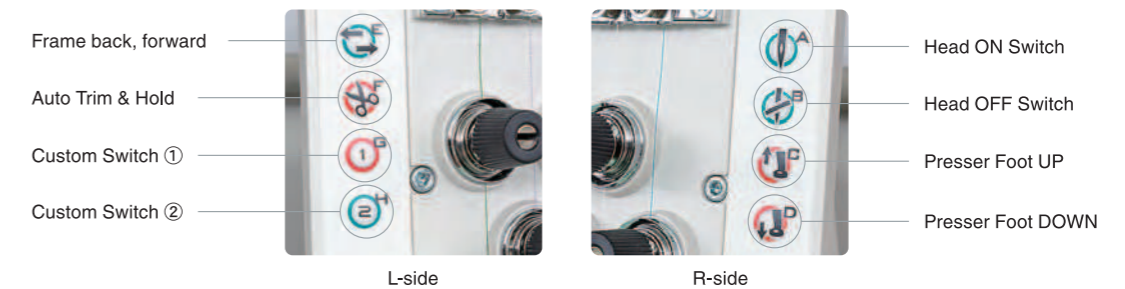
The FS mode is standardly equipped on all models. The FS Mode dramatically improves the quality of embroidery done with thick or soft-twisted thread that was unsuitable for embroidery machines in the past.



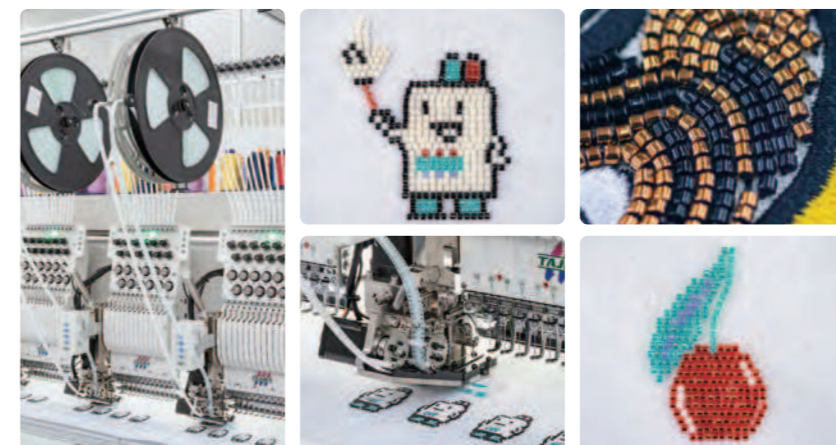
- Options for more beautiful embroidery of soft-twisted thread.
- The rotation speed is limited when using the FS mode.

Direct command switches

Various operation switches and multi-color LEDs are located on each tension base. Since all of the main functions of the operation panel can be manipulated at each head, operator work efficiency has been improved. Commonly used functions may be assigned to the custom switches. (Scheduled for 2018)



Seed Beads Device (Factory option)



Automatic Color Change Glass Bead embroidery device. It is automated allowing you to embroider beads rapidly instead of by hand so that mass production becomes possible. Also, the beads are set in a tape reel so it is easy to exchange and manage.

