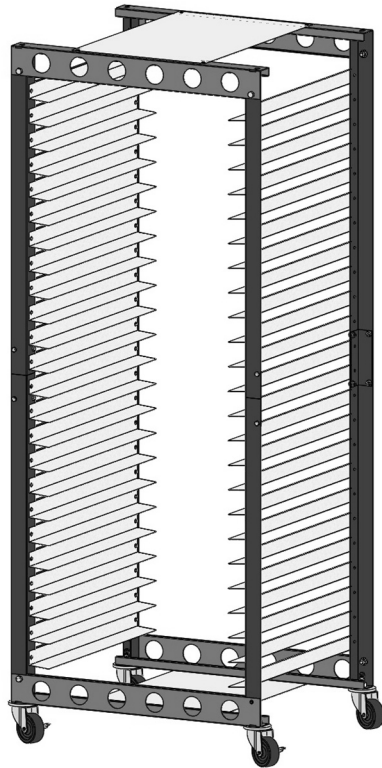


VASTEX

SCREEN PRINTING EQUIPMENT

Screen Rack Assembly

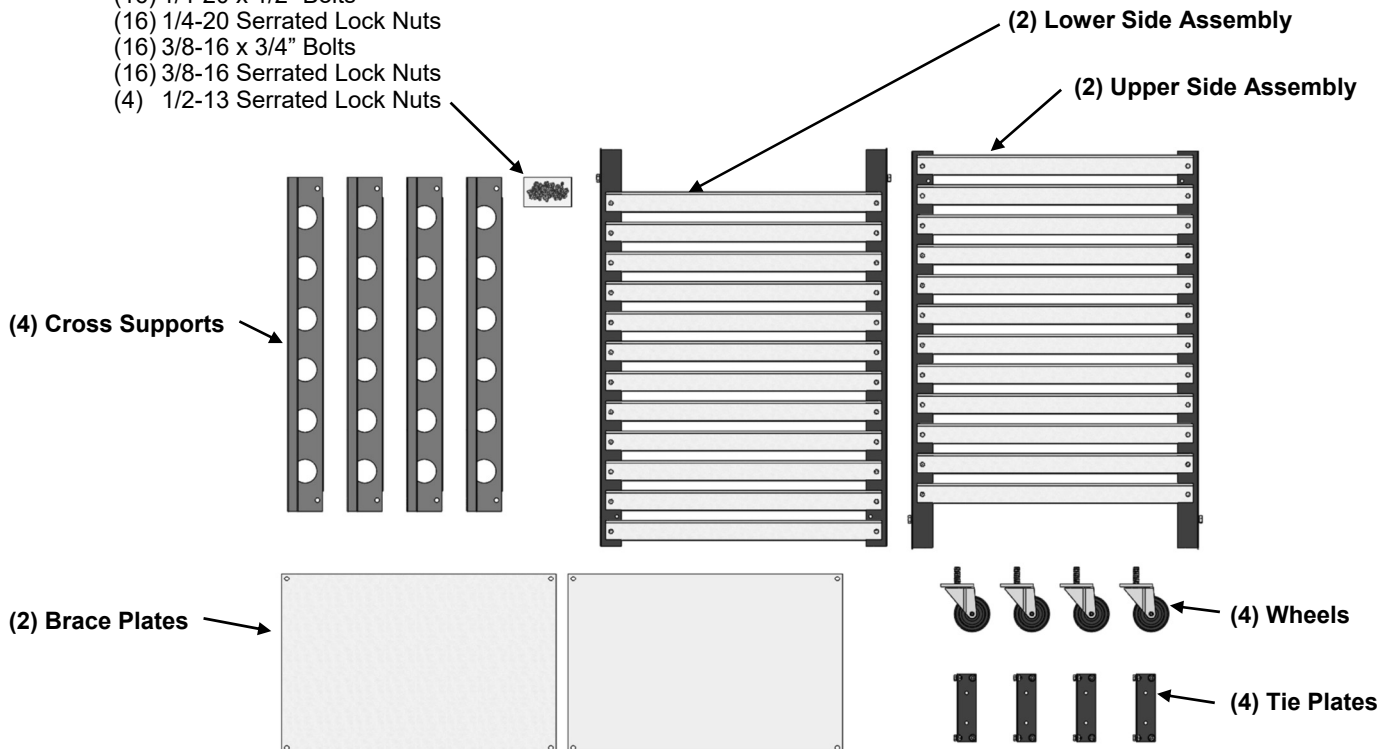
Doc # 01-20-001A



Contents Of Boxes

Hardware Bag

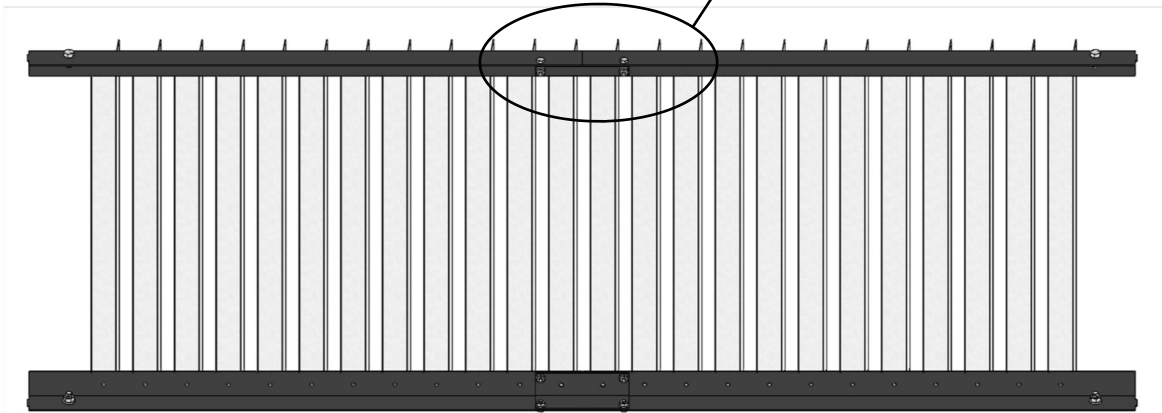
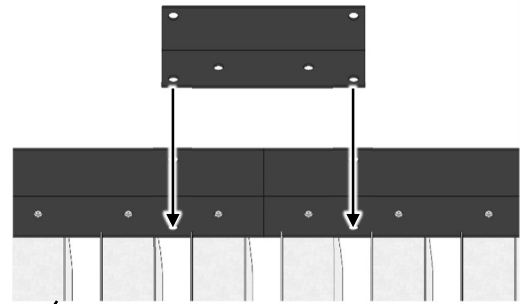
- (16) 1/4-20 x 1/2" Bolts
- (16) 1/4-20 Serrated Lock Nuts
- (16) 3/8-16 x 3/4" Bolts
- (16) 3/8-16 Serrated Lock Nuts
- (4) 1/2-13 Serrated Lock Nuts



Tools Required
7/16", 9/16", 1/2" Wrench

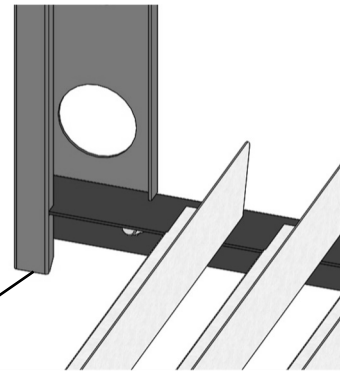
Step 1: Assemble sides

Bolt together Upper Side Assembly and Lower Side Assembly with (2) Tie plates and 1/4" hardware. Tighten (8) 1/4 bolts with (2) 7/16 wrenches. Assemble both sides at this time.
See Pictures for reference.



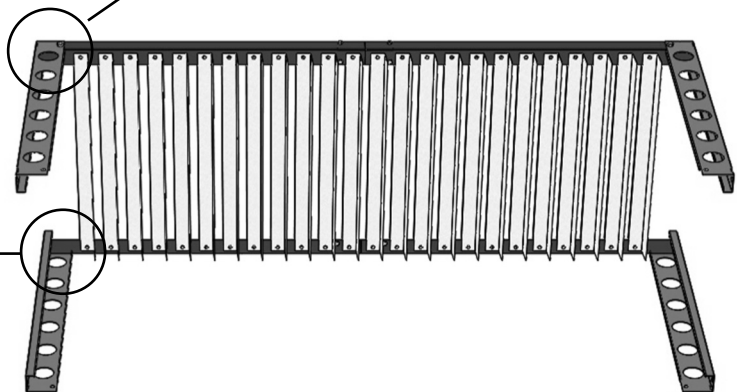
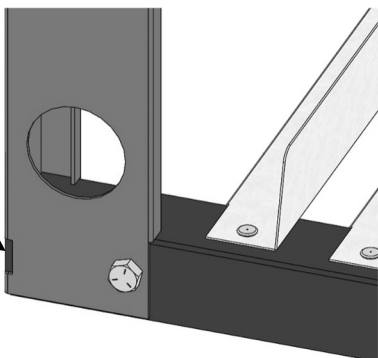
Step 2: Attach Cross Supports

Bolt (4) Cross Supports onto one assembled side. Use (1) 3/8 bolt with a serrated lock nut to attach each support to the four corners of one side. Leave these bolts hand tight for now.
See Pictures for reference.



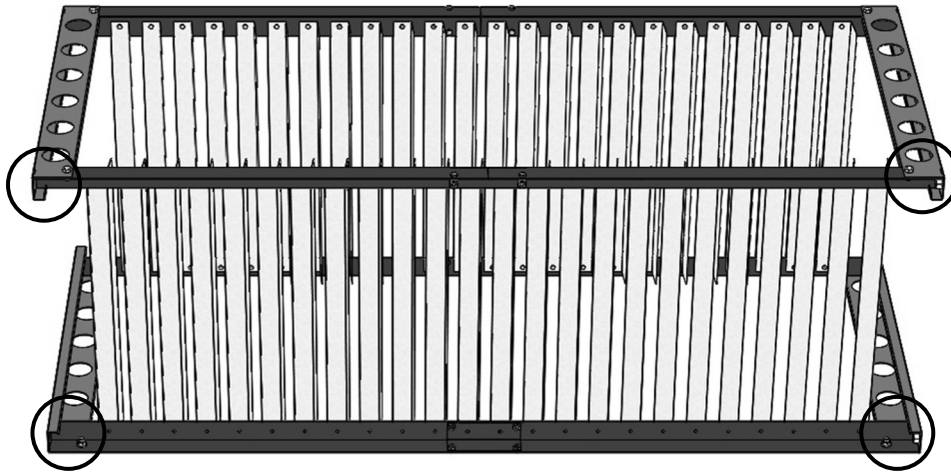
NOTE: You may need to tap the Cross Supports with a small hammer to get the tab to seat completely into Cross Support.

Tap Here

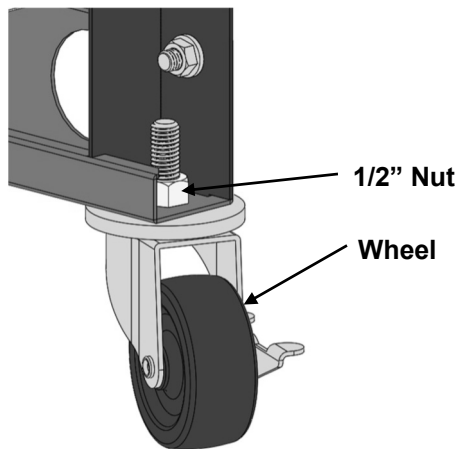


Step 3: Attach remaining side to Cross Supports

Carefully bring the remaining side over and attach all four Cross Supports to it the same way they were installed onto the first side using 3/8" hardware. Once all the bolts are installed and hand tight, proceed to tighten all 3/8 bolts that were installed during **Steps 2 & 3**, a 9/16" wrench is required. **See Picture for visual reference.**

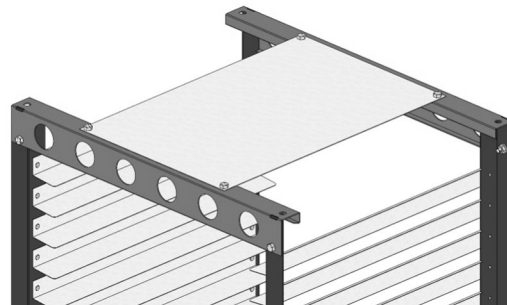


Step 4: Install Wheels



Install (4) wheels onto bottom of Screen Rack using 1/2" nut. **Tighten well** with 3/4" wrench. Once all wheels are installed, stand up the entire assembly.

Step 5: Install Brace Plate



Install brace plate onto top and bottom of Screen Rack using 3/8" bolt and serrated nut. **Tighten well** with 9/16" wrench.