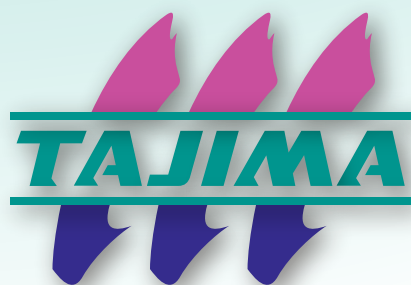


**PARTS LIST**

***TCMX MIXED TYPE***  
***(L-SPEC. MACHINE)***



# Table of Contents

● GENERAL VIEW	
● FRAMING.....	X5-1
● TABLE A (1, 2 PAIRED HEAD).....	X5-2a
● TABLE B (4 PAIRED HEAD).....	X5-2b
● MAIN SHAFT DRIVE SYSTEM.....	X5-3
● LOOPER / ATH 1.....	X5-4-1
● LOOPER / ATH 2.....	X5-4-2
● ROTARY HOOK BASE 1.....	X5-5-1
● ROTARY HOOK BASE 2.....	X5-5-2
● COLOR CHANGE SYSTEM.....	X5-6
● ARM 1 (CM).....	X5-7-1
● ARM 2 (CM).....	X5-7-2
● ARM 1.....	X5-8-1
● ARM 2.....	X5-8-2
● ARM 3.....	X5-8-3
● NEEDLE BAR CASE 1.....	X5-9-1
● NEEDLE BAR CASE 2A.....	X5-9-2a
● NEEDLE BAR CASE 2B (JUMBO ROTARY HOOK).....	X5-9-2b
● UPPER THREAD HOLDER.....	X5-10
● ATH DRIVE SYSTEM A (1, 2 PAIRED HEAD).....	X5-11a
● ATH DRIVE SYSTEM B (4 PAIRED HEAD).....	X5-11b
● X-AXIS DRIVE SYSTEM 1.....	X5-12-1
● X-AXIS DRIVE SYSTEM 2.....	X5-12-2
● Y-AXIS DRIVE SYSTEM 1A (1, 2 PAIRED HEAD).....	X5-13-1a
● Y-AXIS DRIVE SYSTEM 1B (4 PAIRED HEAD).....	X5-13-1b
● Y-AXIS DRIVE SYSTEM 2A (1, 2 PAIRED HEAD).....	X5-13-2a
● Y-AXIS DRIVE SYSTEM 2B (4 PAIRED HEAD).....	X5-13-2b
● TENSION BASE (CM).....	X5-14
● TENSION BASE.....	X5-15
● TENSION RELEASE.....	X5-16
● COLOR CHANGE SENSOR.....	X5-17
● THREAD STAND (CM).....	X5-18
● THREAD STAND.....	X5-19
● EMBROIDERY FRAME.....	X5-20
● Z-SPEC. FRAME DRIVE SYSTEM.....	X5-21
● BAR SWITCH BOX.....	X5-22
● ELECTRICAL PARTS.....	X5-23
● OPERATION PANEL.....	X5-24

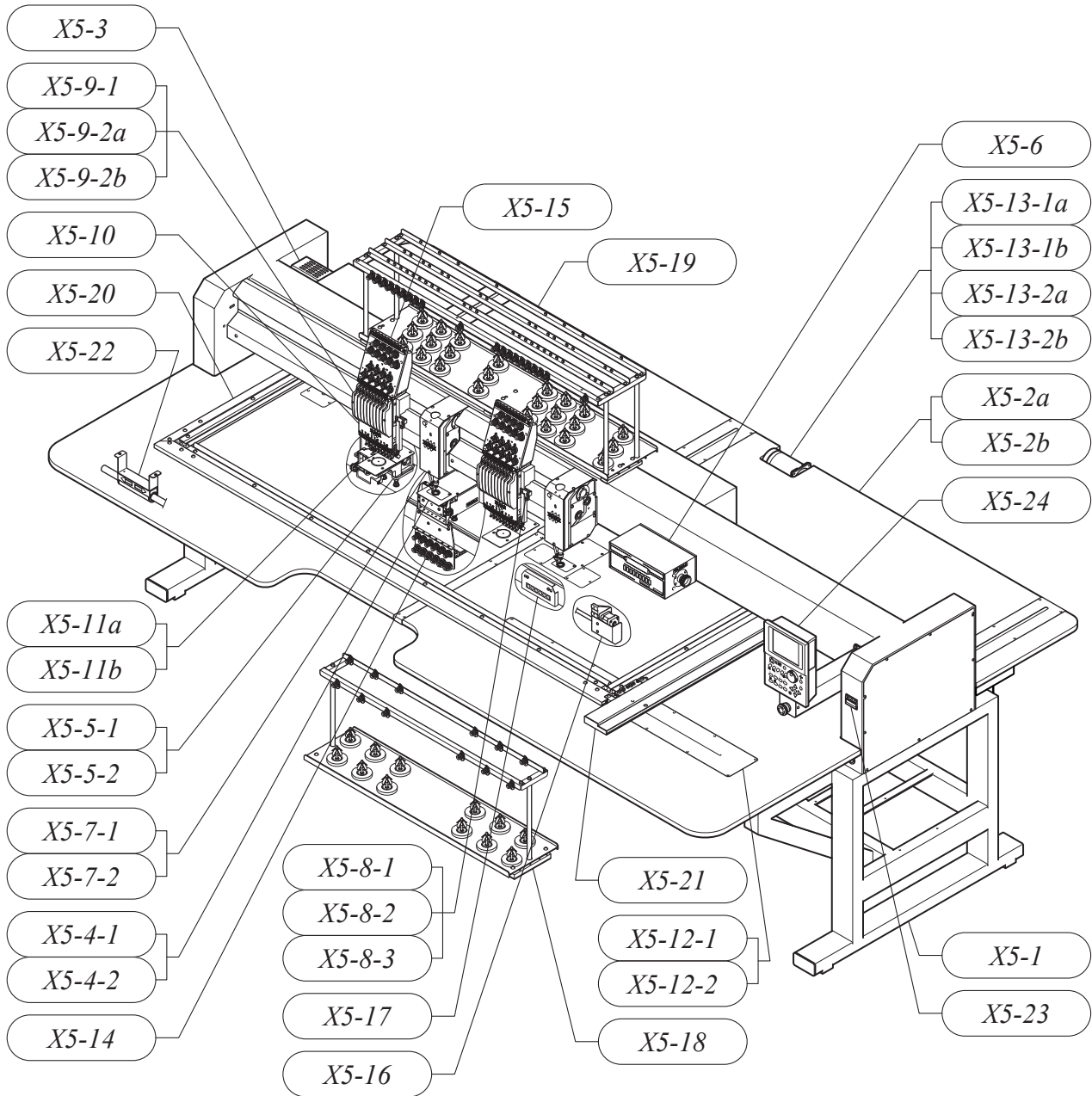
Part Nos. of screws, nuts, washers etc. are listed at the end of volume.

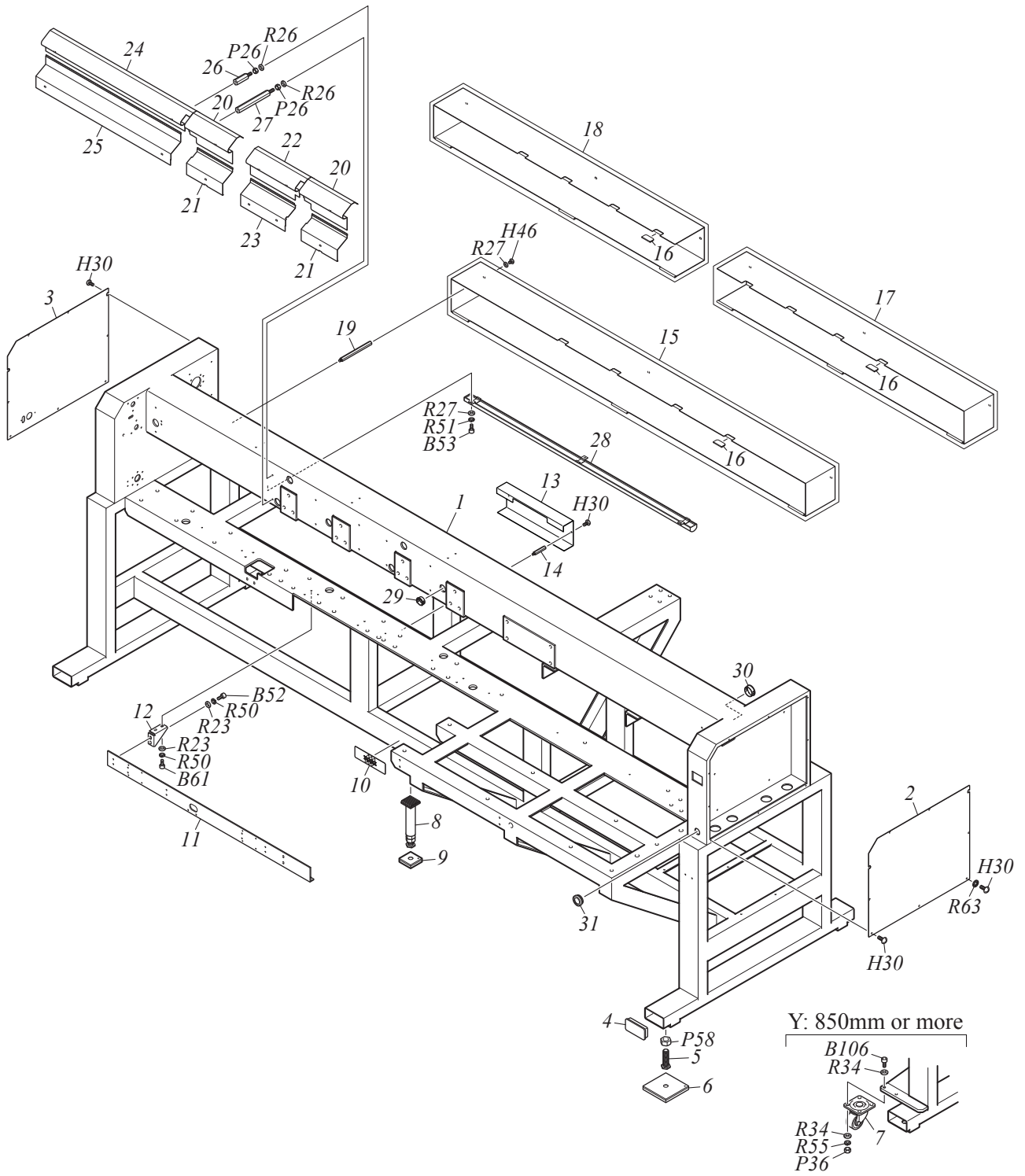
\*Regarding the part number that contains description of @, the part differs depending on model, spec. etc.

\*When you place an order of such a part, please also inform us of your model, embroidery space and manufacturing number of the machine.

<b>Ex.</b>	TCMX-61202	680 x 600 (275)S	No.X5Y01234
	[Model]	[Emb. Space]	[Mfg. No.]

GENERAL VIEW





# FRAMING

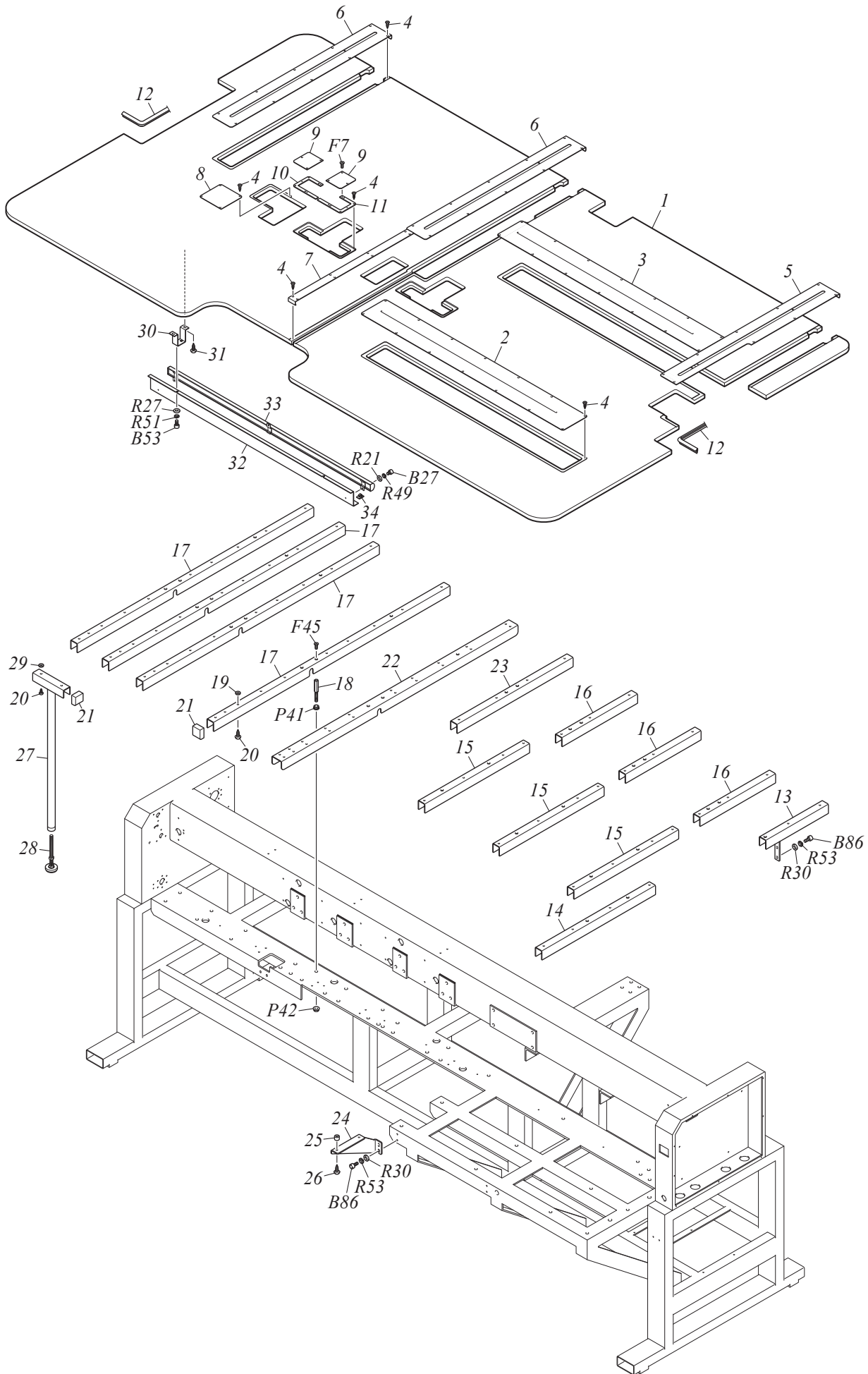
X5-1

No.	Part Name	Part No.	Remark
1	STAND[A]	MUB@@@@@A40	
2	COVER :RIGHT-SIDE BOX	030430850000	
3	COVER :LEFT-SIDE BOX	030430860000	
4	COVER :STAND BASE	030410150010	
5	LEVELING BOLT :M20*70	030530010000	
6	VIBRATION-PREVENTIVE BASE[S]	03052009@S00	
7	CASTER :540SBAU65	614300010000	
8	CENTER SUPPORT :NO.1[A]	03051030@A00	
9	VIBRATION-PREVENTIVE BASE[S]	03052004@S00	
10	TAJIMA BRAND NAME PLATE	030710120000	
11	BASE :CE :TENSION BASE	1F1@@@010000	
12	BRACKET :TENSION BASE HOLDER :B	11045002B000	
13	COVER :LOOPER BASE :B	03041045@000	
14	STUD :NO.1 :M6-49	505106040000	
15	WIRING COVER :P3[A]	1B9@@@040A00	
16	LID :WIRING	030490010000	
17	WIRING COVER :A :P3[A]	1B9@@@04AA00	
18	WIRING COVER :B :P3[A]	1B9@@@04BA00	
19	STUD :NO.1 :M8-154.3	505108190000	
20	FRONT COVER :NO.1 :UPPER	17161001@010	
21	FRONT COVER :NO.1 :LOWER	17161002@010	
22	FRONT COVER :NO.2 :UPPER	17162001@000	
23	FRONT COVER :NO.2 :LOWER	17162002@000	
24	SHAFT COVER :UPPER	17163007@020	
25	SHAFT COVER :LOWER	17163008@010	
26	STUD :NO.1 :M5-48.5	505105280000	
27	STUD :NO.1 :M5-100	505105190000	
28	LAMP :LED LIGHT :17W/L1200	0J7102200000	
29	BUSHING :HARNESS	0J1501100020	
30	BUSHING :HARNESS :B :40MM DIA.	0J15011B0010	
31	GROMMET WITH FILM :26A	644500210000	
32			
33			
34			
35			
36			
37			
38			
39			
40			
41			
42			
43			
44			
45			
46			
47			
48			
49			
50			

Note: As for parts with mark @, please follow our instructions on Table of Contents in your parts order.

(YK01)

TABLE A (1, 2 PAIRED HEAD)



# TABLE A (1, 2 PAIRED HEAD)

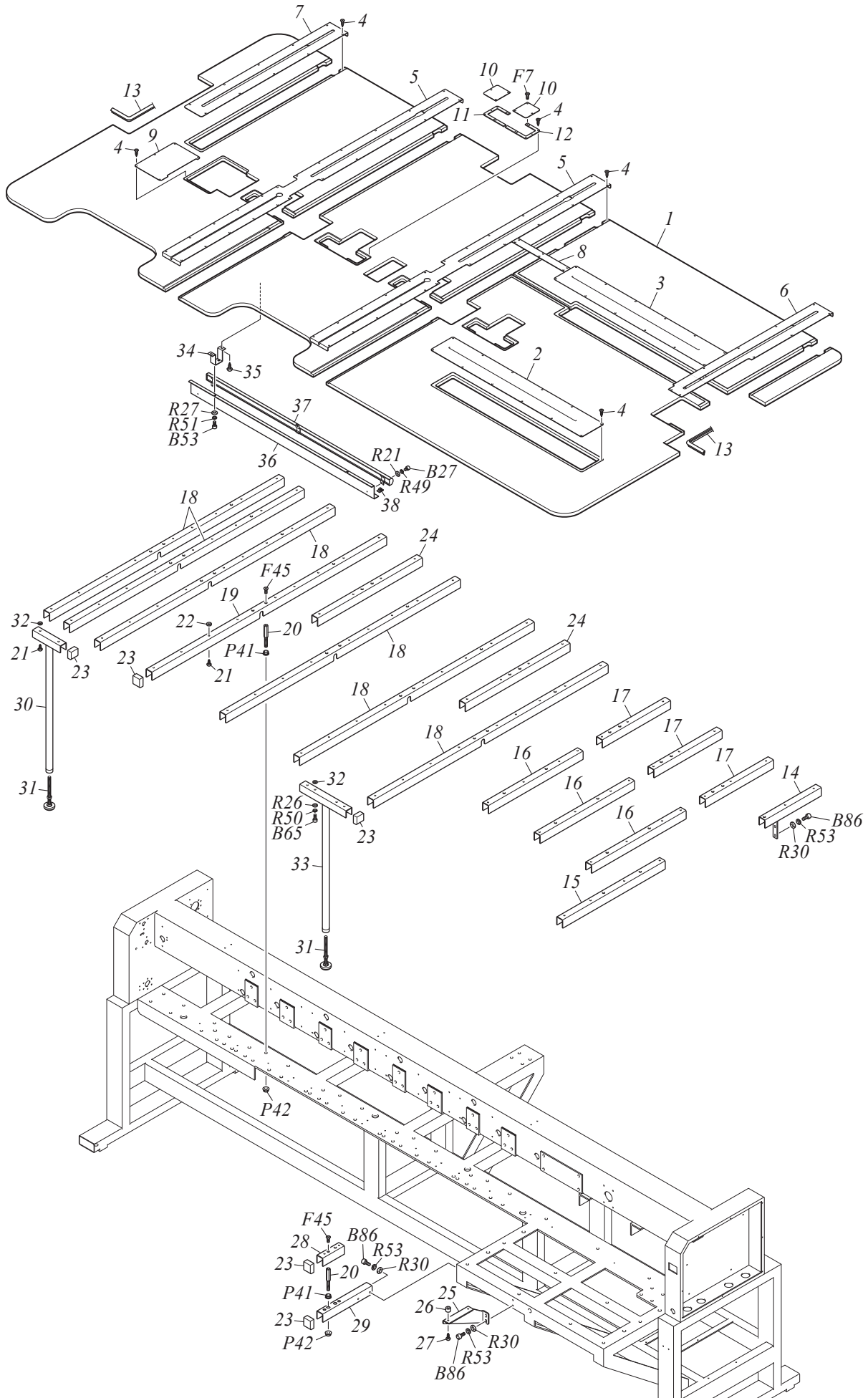
X5-2a

No.	Part Name	Part No.	Remark
1	TABLE :L-SPEC. M/C	2UB@@@@@010	
2	TABLE COVER :NO.4 :A :X	13040001@100	
3	TABLE COVER :NO.1 :C :X	13010001@100	
4	COUNTERSUNK TAPPING SCREW :3P*12	S550031201MZ	
4	COUNTERSUNK TAPPING SCREW :3P*16	S550031601MZ	
5	TABLE COVER :NO.1F :L-SPEC. M/C :Y450-	131F5001@110	
6	TABLE COVER :NO.33 :L-SPEC. M/C :Y450-1500	13336002@110	
7	TABLE COVER :NO.45 :FRONT	1345300@@110	
8	TABLE COVER :NO.42	134240090000	
9	COVER :SIDE	050410200010	
10	SPACER :X COVER :L	05041022L010	
11	SPACER :X COVER :R	05041022R010	
12	RUBBER BUSHING :TABLE[S]	04012066@S00	
13	TABLE SUPPORT :NO.1	15012018@010	
14	TABLE SUPPORT :NO.1 :L666	15012026@010	
15	TABLE SUPPORT :NO.3	15031019@060	
16	TABLE SUPPORT :NO.4	15041011@070	
17	TABLE SUPPORT :NO.5 :L1387	15052049@010	
18	STUD :NO.1 :M10-50	505110030000	
19	COLLAR :TABLE SUPPORT	152150050000	
20	TRUSS HEAD TAPPING SCREW :5P*20	S530052001SD	
21	CAP :TABLE SUPPORT :47	152150100010	
22	TABLE SUPPORT :NO.5 :L1387	15052065@000	
23	TABLE SUPPORT :NO.6 :L680	15062009@070	
24	TABLE SUPPORT :NO.3	15031008@050	
25	COLLAR :TABLE SUPPORT	152150040000	
26	TRUSS HEAD TAPPING SCREW :5P*30	S530053001SD	
27	TABLE SUPPORT :34MM DIA./W180[S]	03054013@S10	
28	ADJUSTER BOLT :D-B3 12*150	614100250000	
29	COLLAR :TABLE SUPPORT :E	15215005E000	
30	BRACKET :FLUORESCENT LAMP :B	03012001BS10	
31	TRUSS HEAD TAPPING SCREW :4P*16	S530041601SD	
32	BRACKET :LED LIGHT :UNDER TABLE	030120140000	
33	LAMP :LED LIGHT :17W/L1200	0J7102200000	
34	CLAMP :ACKN-7	644500260000	
35			
36			
37			
38			
39			
40			
41			
42			
43			
44			
45			
46			
47			
48			
49			

Note: As for parts with mark @, please follow our instructions on Table of Contents in your parts order.

(XL07)

TABLE B (4 PAIRED HEAD)





## TABLE B (4 PAIRED HEAD)

X5-2b

No.	Part Name	Part No.	Remark
1	TABLE :L-SPRC. MACHINE	2UB4@@@@@010	
2	TABLE COVER :NO.4 :A :X	13040001@100	
3	TABLE COVER :NO.1 :C :X	13010001@100	
4	COUNTERSUNK TAPPING SCREW :3P*12	S550031201MZ	
4	COUNTERSUNK TAPPING SCREW :3P*16	S550031601MZ	
5	TABLE COVER :NO.1C :Y450-750	131C3001@100	
6	TABLE COVER :NO.1F :Y450-1500	131F5002@100	
7	TABLE COVER :NO.33 :L-SPEC. M/C :Y450-1500	13336001@120	
8	TABLE COVER :NO.43	13430001@100	
9	COVER :BELT	0E0150010010	
10	COVER :SIDE	050410200010	
11	SPACER :X COVER :L	05041022L010	
12	SPACER :X COVER :R	05041022R010	
13	RUBBER BUSHING :TABLE[S]	04012066@S00	
14	TABLE SUPPORT :NO.1	15012018@010	
15	TABLE SUPPORT :NO.1 :L666	15012026@010	
16	TABLE SUPPORT :NO.3	15031019@060	
17	TABLE SUPPORT :NO.4	15041011@070	
18	TABLE SUPPORT :NO.5 :L1525	15052058@010	
19	TABLE SUPPORT :NO.5 :B :L1525	15052068@000	
20	STUD :NO.1 :M10-50	505110030000	
21	TRUSS HEAD TAPPING SCREW :5P*20	S530052001SD	
22	COLLAR :TABLE SUPPORT	152150050000	
23	CAP :TABLE SUPPORT :47	152150100010	
24	TABLE SUPPORT :NO.6 :L680	15062009@070	
25	TABLE SUPPORT :NO.3	15031008@050	
26	COLLAR :TABLE SUPPORT	152150040000	
27	TRUSS HEAD TAPPING SCREW :5P*30	S530053001SD	
28	TABLE SUPPORT :NO.3	15031009@070	
29	BRACKET :TABLE SUPPORT	15215006@010	
30	TABLE SUPPORT :34MM DIA./W180[S]	03054013@S10	
31	ADJUSTER BOLT :D-B3 12*150	614100250000	
32	COLLAR :TABLE SUPPORT :E	15215005E000	
33	TABLE SUPPORT :34MM DIA./W300[S]	03054014@S10	
34	BRACKET :FLUORESCENT LAMP :B	03012001BS10	
35	TRUSS HEAD TAPPING SCREW :4P*16	S530041601SD	
36	BRACKET :LED LIGHT :UNDER TABLE	030120140000	
37	LAMP :LED LIGHT :17W/L1200	0J7102200000	
38	CLAMP :ACKN-7	644500260000	
39			
40			
41			
42			
43			
44			
45			
46			
47			
48			
49			

Note: As for parts with mark @, please follow our instructions on Table of Contents in your parts order.

(XL07)



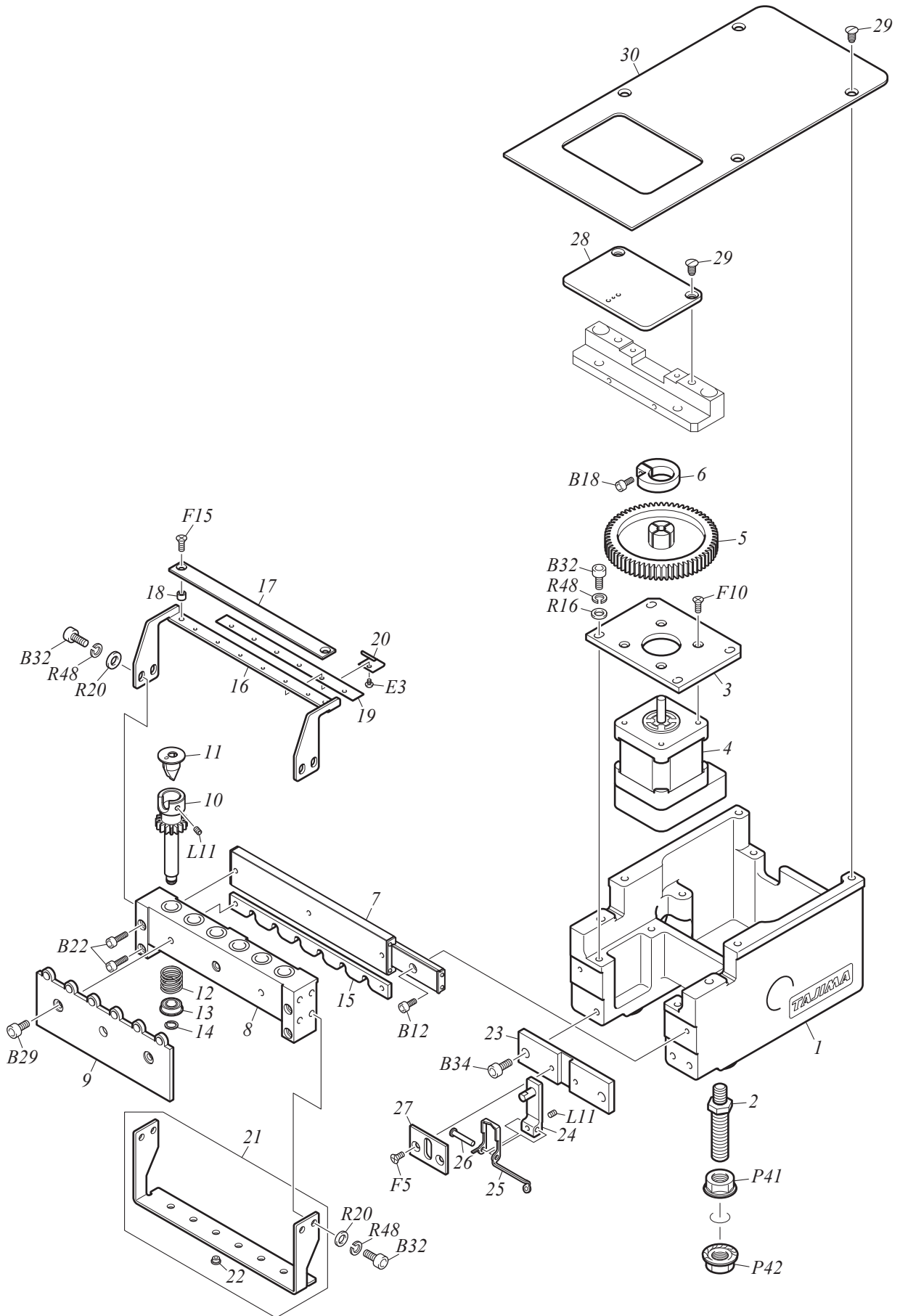
# MAIN SHAFT DRIVE SYSTEM

X5-3

No.	Part Name	Part No.	Remark
1	SERVO MOTOR :400W	0J6300900000	
2	COVER :MAIN MOTOR	03015017@000	
3	BRACKET :COVER	030460050010	
4	TIMING PULLEY :W20-16	501440030000	
5	TIMING BELT :SPTG :W20-S5M1160/G	623300060000	
6	TIMING PULLEY :W20-48	50144505B000	
7	BEARING CASE :NO.2 :20MM DIA.[S]	508220060S00	
8	BEARING COLLAR :15MM DIA.	502715040010	
9	TIMING PULLEY :W20-48	50144504A000	
10	ANGLE INDICATOR	040420230010	
11	SCREW WITH ROLLER PIN :NO.3 :M8	514308080000	
12	FLAT PULLEY :45MM DIA.[S]	501902020S00	
13	E-RING :7MM DIA.	611100100000	
14	TIMING PULLEY :W15-24	501438010000	
15	BEARING CASE :NO.2 :15MM DIA.[S]	508215010S00	
16	TIMING BELT :SPTG :W15-S5M0360/G	623200250000	
17	SCREW WITH ROLLER PIN :NO.3 :M8	514308090000	
18	FLAT PULLEY :40MM DIA.	501901010030	
19	POINTER	040410100010	
20	LID :HANDLE	030490050000	
21	BUSHING :HARNES	0J1501100020	
22	ROTATING DETECTING PLATE[S]	040360090S10	
23	BRACKET :SENSOR	040360080000	
24	CARD :PHOTO-INTERRUPTER	0J4204500000	
25	NYLON CLAMP :07N	644500190000	
25	CLAMP :10N	644500090000	
26			
27			
28			
29			
30			
31			
32			
33			
34			
35			
36			
37			
38			
39			
40			
41			
42			
43			
44			
45			
46			
47			
48			
49			

Note: As for parts with mark @, please follow our instructions on Table of Contents in your parts order.

(XL07)



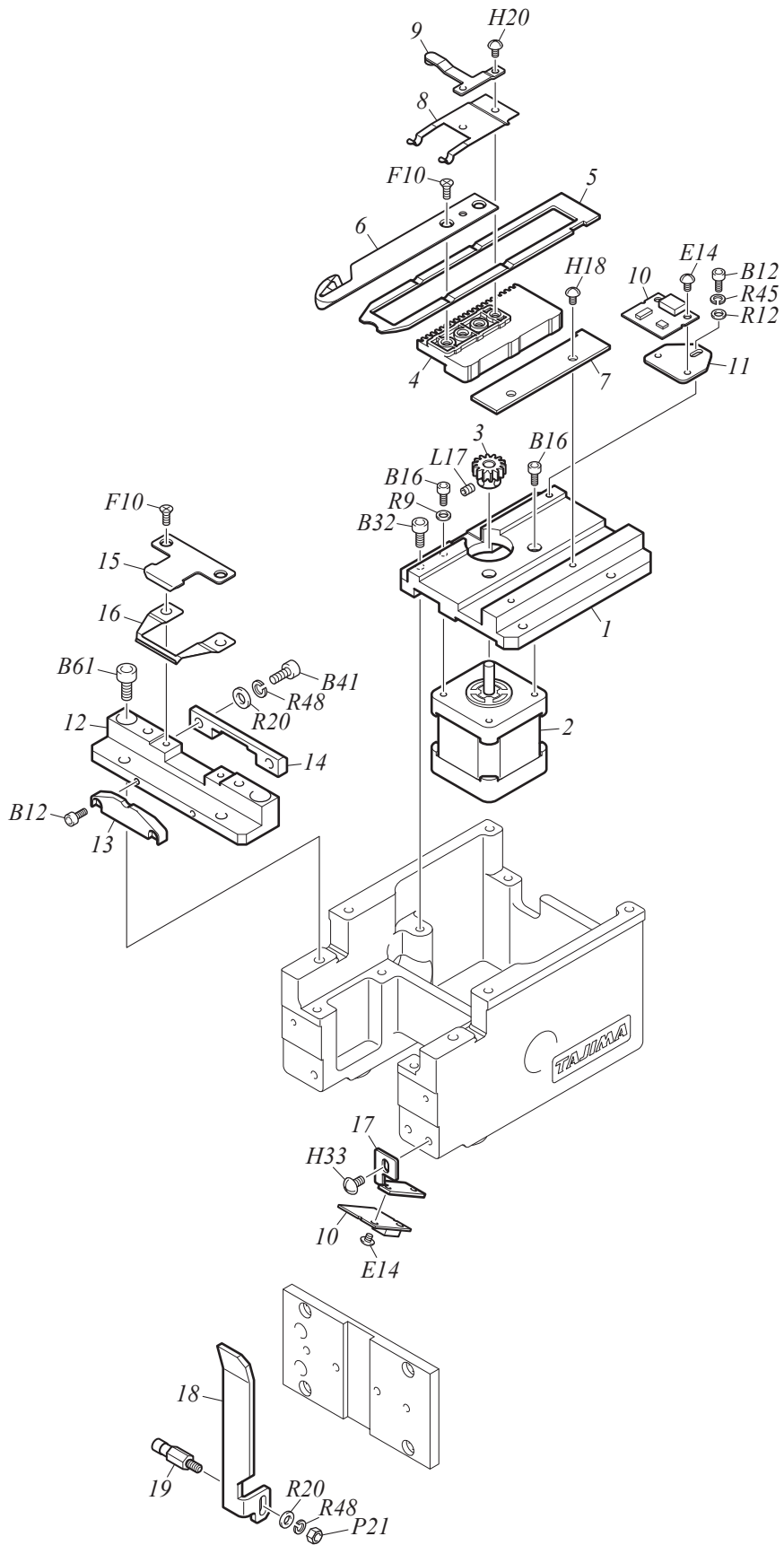
# LOOPER / ATH 1

X5-4-1

No.	Part Name	Part No.	Remark
1	LOOPER BASE	050140030010	
2	STUD :NO.3 :M10-4	505310020000	
3	BRACKET :LOOPER MOTOR	050410010000	
4	PULSE MOTOR :42MM SQUARE :WITH SENSOR[A]	0J6106500A10	
5	SPUR GEAR :64T	506164040010	
6	TIGHTENING COLLAR :15MM DIA.	502215020000	
7	SLIDE UNIT :LOOPER CASE	050410150010	
8	LOOPER CASE	050420210000	
9	BASE :GEAR STOPPER	050420010S10	
10	SLEEVE :LOOPER	050420040000	
11	LOOPER	050420050010	
12	COMPRESSION SPRING :0.8MM DIA.	507608020000	
13	BEARING :SSLF1260ZZ	631600030000	
14	C-RING :NO.2 :WR06	611100180000	
15	POSITIONING PLATE :LOOPER CASE	050420100010	
16	BRACKET :UNDER THREAD HOLDER	050420020000	
17	UNDER THREAD HOLDER	050420030000	
18	COLLAR :NO.1 :3MM DIA.	502503040000	
19	PLATE :SPRING PRESSER	050420060000	
20	PLATE SPRING :T0.1	507801010010	
21	THREAD COURSE :LOOPER[S]	050420220S00	
22	THREAD GUIDE COLLAR :1.8MM DIA.	516503010010	
23	BASE :LOOPER CASE HOLDING LEVER	050410290000	
24	LEVER :CASE FIXING	050410230000	
25	LEVER :THREAD BREAKAGE DETECTION[S]	050410260S10	
26	FLANGE PIN :NO.1	050420090000	
27	GUIDE PLATE :LOOPER CASE HOLDING LEVER	050420080010	
28	NEEDLE PLATE :CE :1.6MM DIA.	050410110000	
28	NEEDLE PLATE :CE :1.8MM DIA.	050410120000	
28	NEEDLE PLATE :CE :1.4MM DIA.	050410130000	
29	ROUND COUNTERSUNK HEAD SCREW :11/64*8.4B	511554010000	
30	COVER :LOOPER BASE	050410140000	
31			
32			
33			
34			
35			
36			
37			
38			
39			
40			
41			
42			
43			
44			
45			
46			
47			
48			

Note: As for parts with mark @, please follow our instructions on Table of Contents in your parts order.

(XL07)



# LOOPER / ATH 2

X5-4-2

No.	Part Name	Part No.	Remark
1	BASE :ATH MOTOR	050410310000	
2	PULSE MOTOR :42MM SQUARE :DOUBLE-END	0J6106200000	
3	SPUR GEAR :14T	506114010000	
4	RACK :MOVABLE KNIFE	050410030020	
5	GUIDE PLATE :MOVABLE KNIFE	050410040000	
6	MOVABLE KNIFE	050410100020	
7	STOPPER :MOVABLE KNIFE GUIDE PLATE	050410050010	
8	PRESSER SPRING :MOVABLE KNIFE GUIDE PLATE	050410320010	
9	SENSOR PLATE[S]	050410280S00	
10	CARD :MAGNETIC SENSOR A	0J4204400000	
11	BASE :MAGNETIC SENSOR	050410250000	
12	BASE :ATH	050410070010	
13	HOLDER :MOVABLE KNIFE	050410090000	
14	GUIDE BLOCK :MOVABLE KNIFE GUIDE PLATE	050410160000	
15	FIXED KNIFE	050410080030	
16	GUIDE PLATE :FIXED KNIFE	050410170010	
17	BRACKET :MAGNETIC SENSOR	050410270000	
18	SLIDE LEVER :LOOPER SLEEVE	050410300000	
19	SCREW WITH ROLLER PIN :NO.1 :M4[S]	514104020S00	
20			
21			
22			
23			
24			
25			
26			
27			
28			
29			
30			
31			
32			
33			
34			
35			
36			
37			
38			
39			
40			
41			
42			
43			
44			
45			
46			
47			
48			
49			
50			

Note: As for parts with mark @, please follow our instructions on Table of Contents in your parts order.

(XL07)





# ROTARY HOOK BASE 1

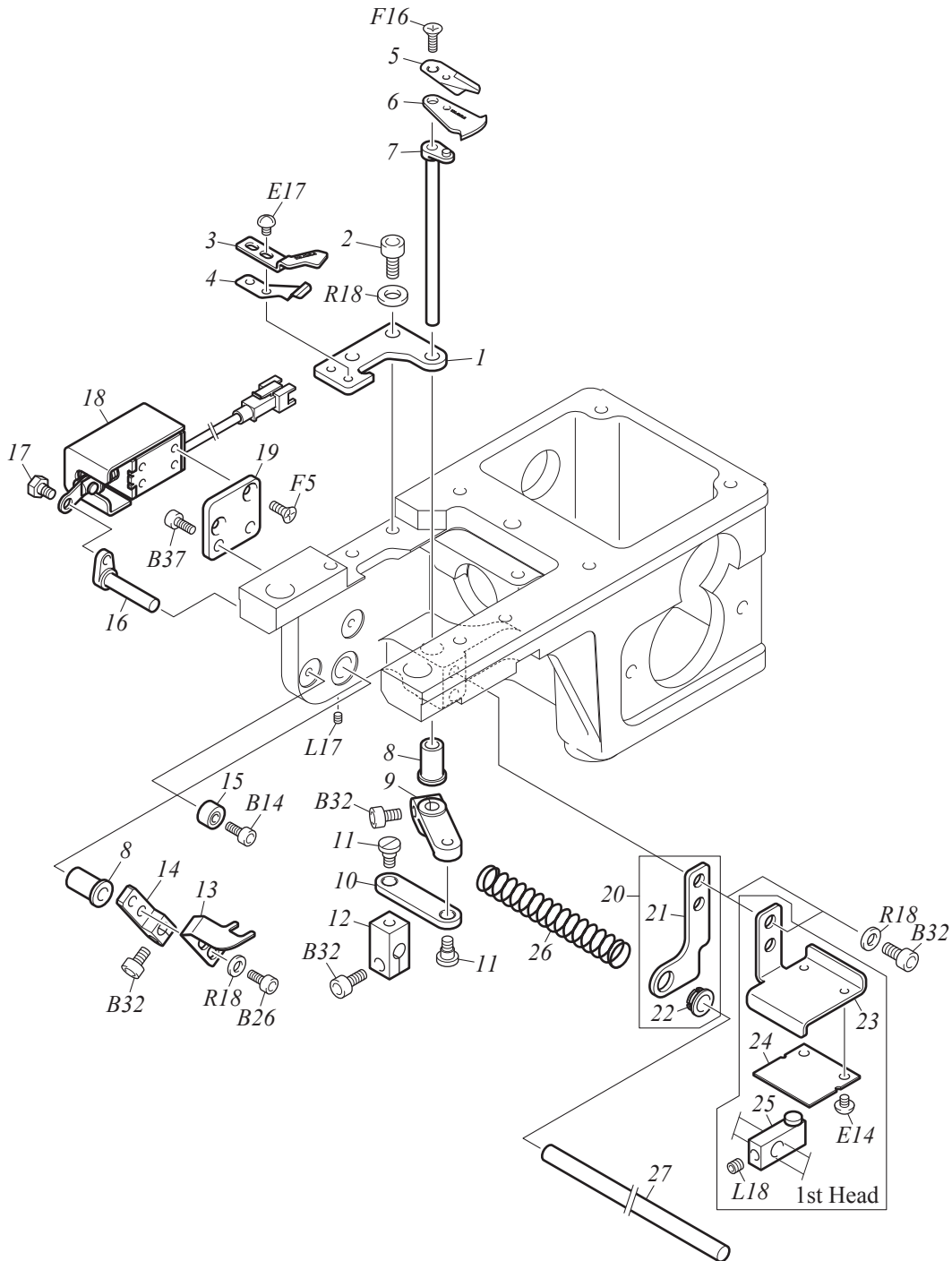
X5-5-1

No.	Part Name	Part No.	Remark
1	ROTARY HOOK BASE :CE/REGULAR ROTARY HOOK	050110030020	
1	ROTARY HOOK BASE :CE/JUMBO ROTARY HOOK	050110110020	
2	ROTARY HOOK BASE STUD	050330330000	
3	BEARING CASE :NO.3 :15MM DIA.[S]	508315020S00	
4	BEARING COLLAR :15MM DIA.	502715080000	
5	HELICAL GEAR :26T	506226010000	
6	HELICAL GEAR :13T	506213010010	
7	PLAIN WASHER :7.94*19*T0.8	519108030000	
8	OIL-BUSHING :NO.1 :7.94MM DIA.	509179010000	
9	SHAFT :ROTARY HOOK	05031014J000	
10	STOPPER COLLAR :7.94MM DIA.	502107010020	
11	ROTARY HOOK :KHS12-RYPTFS2	050230080020	
11	ROTARY HOOK :JUMBO ROTARY HOOK KHS20-RYPOET2	05022005J010	
12	ROTARY HOOK SET SCREW :11/64*7.2	050290020000	
13	BOBBIN :REGULAR ROTARY HOOK	050260010020	
13	BOBBIN :HSM ALUMINUM FULL HARD ALUMITE	05027002J000	Jumbo Rotary Hook
14	BOBBIN CASE :REGULAR ROTARY HOOK :THREAD GUIDE L	050240170010	
14	BOBBIN CASE :JUMBO ROTARY HOOK :STANDARD	05025001J000	
15	ROTARY HOOK SUPPORT :REGULAR ROTARY HOOK	050310170000	
15	ROTARY HOOK SUPPORT :JUMBO ROTARY HOOK :B	05031019J000	
16	NEEDLE PLATE :2MM DIA.	050340090020	
17	ROUND COUNTERSUNK HEAD SCREW :11/64*8.4B	511554010000	
18	TOP LID	050310060020	
19	R. H. BASE CONNECTING SHAFT :15MM DIA.	QUB@020@0000	
20			
21			
22			
23			
24			
25			
26			
27			
28			
29			
30			
31			
32			
33			
34			
35			
36			
37			
38			
39			
40			
41			
42			
43			
44			
45			

Note: As for parts with mark @, please follow our instructions on Table of Contents in your parts order.

(YK07)

ROTARY HOOK BASE 2



# ROTARY HOOK BASE 2

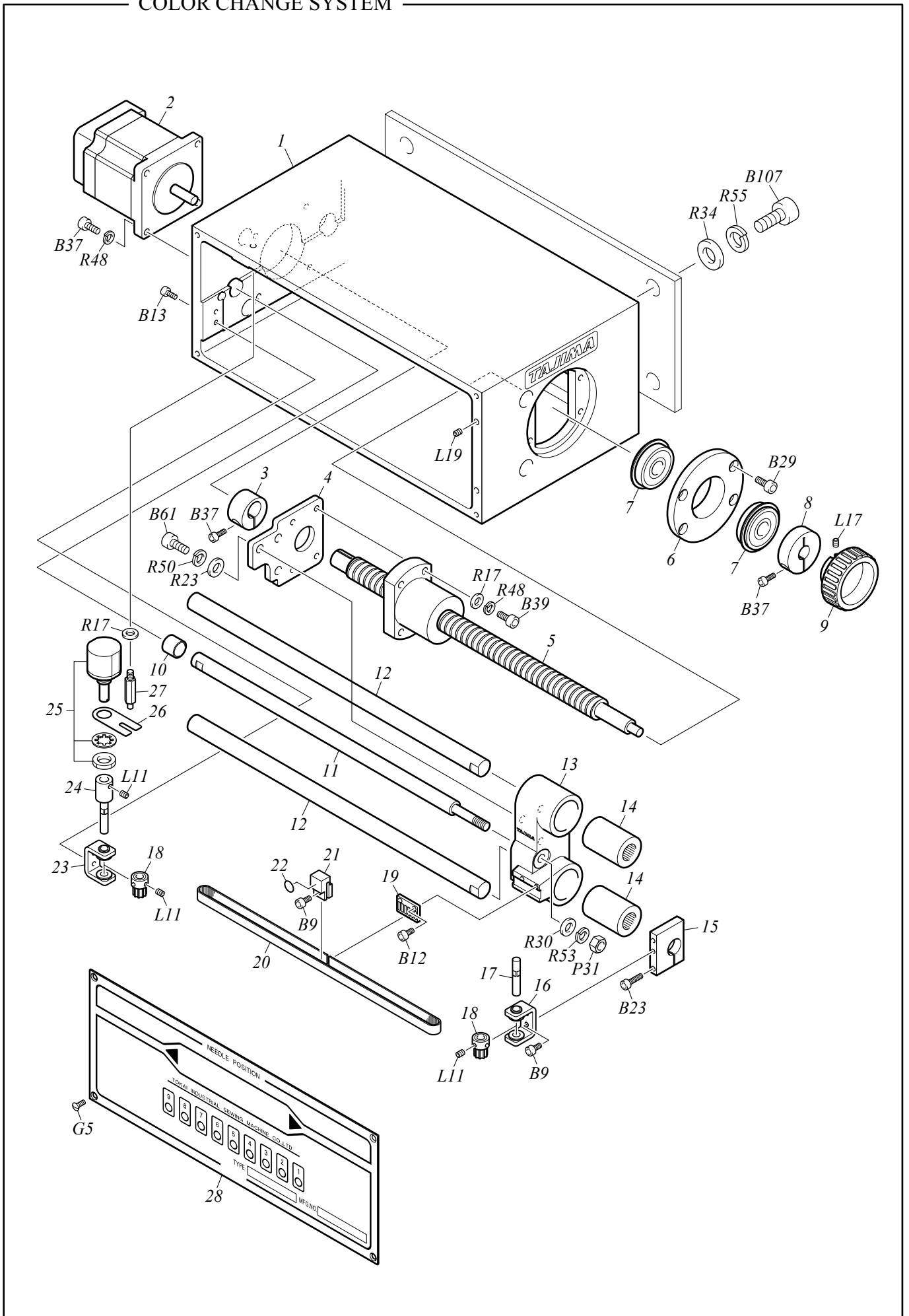
X5-5-2

No.	Part Name	Part No.	Remark
1	BASE :FIXED KNIFE	050320300000	
2	HEXAGON SOCKET HEAD CAP SCREW :11/64*10	511954010000	
3	FIXED KNIFE :REVERSE MOVE 2-BLADE TYPE	050320900030	
4	UNDER THREAD PRESSER	050320350000	
5	MOVABLE KNIFE :REVERSE MOVE 2-BLADE TYPE	050320880020	
6	THREAD SEPARATING PLATE :REVERSE MOVE 2-BLADE TYPE	050320890020	
7	SHAFT :MOVABLE KNIFE[S]	050320450S60	
8	OIL-BUSHING :NO.2 :5MM DIA.	509205010000	
9	LEVER :MOVABLE KNIFE	050320680000	
10	CONNECTING PLATE :MOVABLE KNIFE LEVER	050320690000	
10	CONNECTING PLATE :ATH ROD CLAMP	0L0110080000	Last Head
11	STEPPED SCREW :NO.1 :M4*6.7	512104100040	
12	CLAMP :ATH ROD	050320390010	
13	PICKER	050320240020	
14	BRACKET :PICKER	050320230000	
15	DAMPER RING :3MM DIA. E	050320470010	
16	SHAFT :PICKER	050320870000	
17	STEPPED SCREW :NO.1 :9/64*5.5	512153070000	
18	SOLENOID :OPEN FRAME[A]	0J6600200A00	
19	BRACKET :PICKER SOLENOID	050320250000	
20	HOLDER :ATH ROD[A]	050320310A10	
21	HOLDER :ATH ROD	050320310010	
22	SPLIT COLLAR :PRESSER FOOT	090460040030	
23	BRACKET :PROXIMITY SWITCH	050320370010	
24	CARD :MAGNETIC SENSOR A	0J4204400000	
25	MAGNET BLOCK[S]	050320380S10	
26	COMPRESSION SPRING :0.8MM DIA.	507608040040	4 paired Head M/C
27	ATH ROD :6MM DIA.	QUB@050@0000	
28			
29			
30			
31			
32			
33			
34			
35			
36			
37			
38			
39			
40			
41			
42			
43			
44			
45			
46			
47			
48			
49			

Note: As for parts with mark @, please follow our instructions on Table of Contents in your parts order.

(XL07)

COLOR CHANGE SYSTEM



# COLOR CHANGE SYSTEM

X5-6

No.	Part Name	Part No.	Remark
1	CHANGE BOX :45ST	070310030000	
2	PULSE MOTOR :56MM SQUARE :WITH SENSOR[A]	0J6108302A00	
3	TIGHTENING COLLAR :12MM DIA.	502212020000	
4	BASE :BALL SCREW	070320140010	
5	BALL SCREW :CHANGE	07032012@000	
6	BEARING CASE :BALL SCREW	070320080000	
7	BEARING :6200ZZNR	630300050000	
8	TIGHTENING COLLAR :10MM DIA.	502210040000	
9	KNOB :C	08052001C010	
10	OIL-BUSHING :NO.1 :MB1010DU	638100200000	
11	BASE ROD :CHANGE	07032017@010	
12	GUIDE SHAFT	07032010@000	
13	DRIVE BLOCK :CHANGE ROD	070320130000	
14	SLIDE BEARING :E-12	662100050000	
15	BRACKET :PULLEY BEARING CASE	070320160000	
16	BEARING CASE :TIMING PULLEY :A[S]	070320010S00	
17	STRAIGHT PIN :NO.2	503102190010	
18	TIMING PULLEY :W6-10	501221010000	
19	BELT CATCHER :S3M	070320050000	
20	TIMING BELT :SPTG :W6	6211900@0000	
21	BASE :NEEDLE POSITION INDICATOR	070320150000	
22	LABEL :NEEDLE POSITION INDICATION :8MM DIA.	690300010010	
23	BEARING CASE :TIMING PULLEY :B[S]	070320020S00	
24	STEPPED PIN :NO.2	503202050010	
25	POTENTIOMETER	640900010001	
26	BRACKET :POTENTIOMETER	0C0420020010	
27	STUD :NO.4 :M4-23	505404010020	
28	MAIN NAME PLATE :TCMX	14UB@@@@@010	
29			
30			
31			
32			
33			
34			
35			
36			
37			
38			
39			
40			
41			
42			
43			
44			
45			
46			
47			
48			
49			
50			

Note: As for parts with mark @, please follow our instructions on Table of Contents in your parts order.

(XL07)



# ARM 1 (CM)

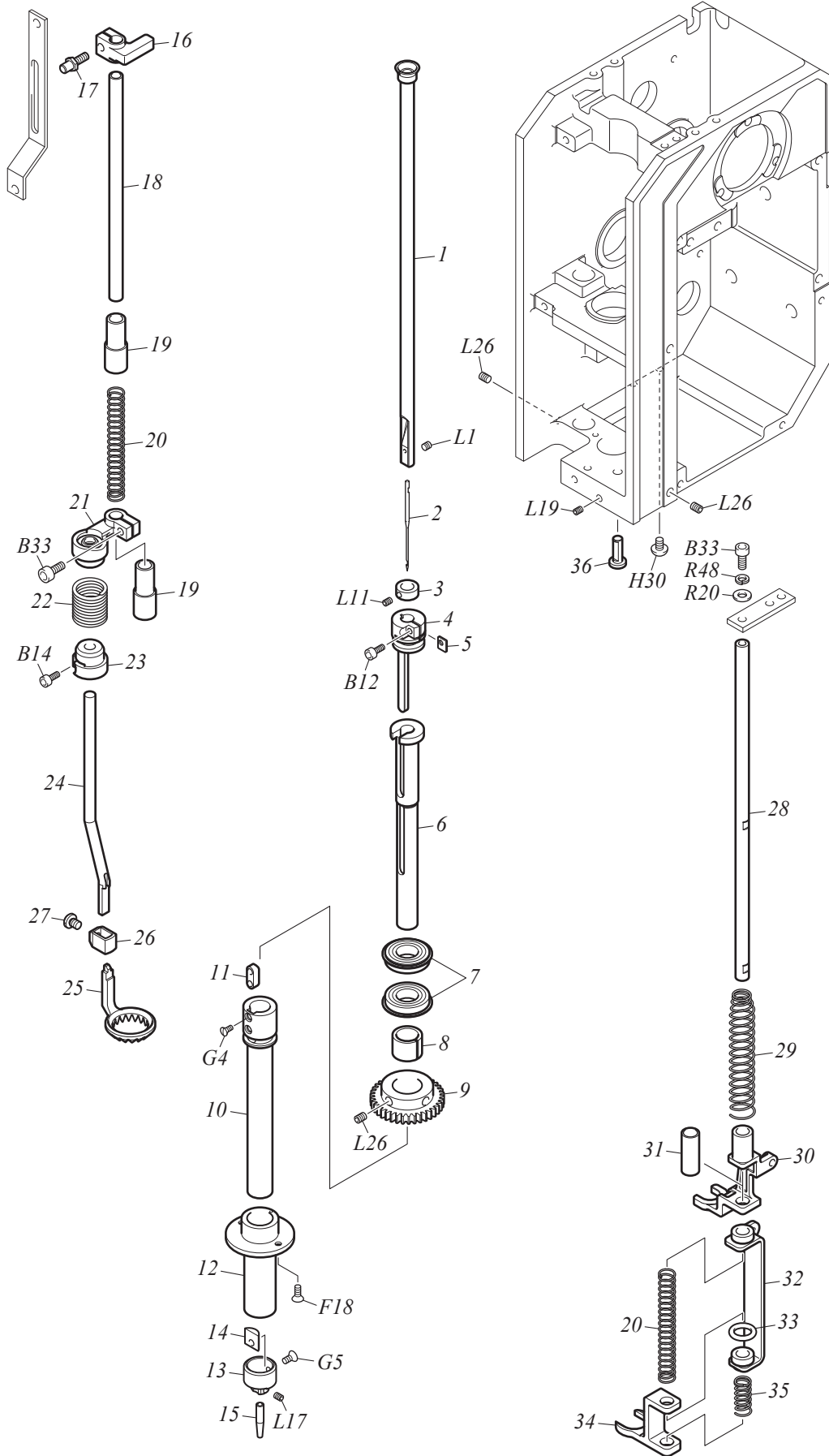
X5-7-1

No.	Part Name	Part No.	Remark
1	HEAD	080140040000	
2	FELT :B	080240090000	
3	FELT :GREASE RETAINING	080240180000	
4	BEARING CASE :NO.2[S]	080760130S10	
5	BUSHING :MAIN SHAFT	080740100010	
6	CAM :NEEDLE BAR/NIPPLE	080711640010	
7	CAM :PRESSER FOOT	080711650010	
8	BRACKET :D MOTOR	080740080010	
9	PULSE MOTOR :42MM SQUARE :WITH SENSOR[A]	0J6106500A10	
10	SPUR GEAR :38T	506138010010	
11	BRACKET :Z MOTOR	080740090000	
12	PULSE MOTOR :42MM SQUARE :DOUBLE-END	0J6106200000	
13	SPUR GEAR :14T[S]	506114020S20	
14	SPUR GEAR :56T	506156010000	
15	DRIVE LEVER :B	080720020000	
16	DAMPER :DRIVE LEVER	080730080000	
17	FLANGE PIN :NO.4	503504020020	
18	CAM ROLLER PIN :LEVER	080760170000	
19	CONNECTING ROD	080230210000	
20	STEPPED SCREW :NO.2 :M4*15.5	512204010020	
21	COLLAR :NO.1 :12MM DIA.	502512010010	
22	DRIVE LEVER PIN :NO.2	503602010010	
23	DRIVE LEVER :A	080720010000	
24	COLLAR :NO.1 :12MM DIA.	502512020010	
25	BEARING :6001ZZ	630200060000	
26	POTENTIOMETER	640900030001	
27	BRACKET :POTENTIOMETER	0C0410130010	
28	STUD :NO.4 :M4-23	505404010020	
29	CAM :POSITIONING	080711630000	
30	SHAFT :POSITIONING CAM	503102130000	
31	SIDE COVER :HEAD :UPPER	080430180000	
32	SIDE COVER :HEAD :LOWER	080430170000	
33	GUIDE PLATE :PRESSER FOOT RECIPROCATOR	080730070000	
34	BRACKET :SWITCH CARD	080760140000	
35	CARD :HEAD SWITCH :1000	0J2602200050	
36	BRACKET :NIPPLE ROD	080750060000	
37	COVER :HEAD[S]	080760230S10	
38	COVER :BEARING	080760150000	1st Head
39	MAIN SHAFT :CE :15MM DIA.	QUB@C10@0000	
40			
41			
42			
43			
44			
45			
46			
47			
48			
49			
50			

Note: As for parts with mark @, please follow our instructions on Table of Contents in your parts order.

(XL07)

ARM 2 (CM)





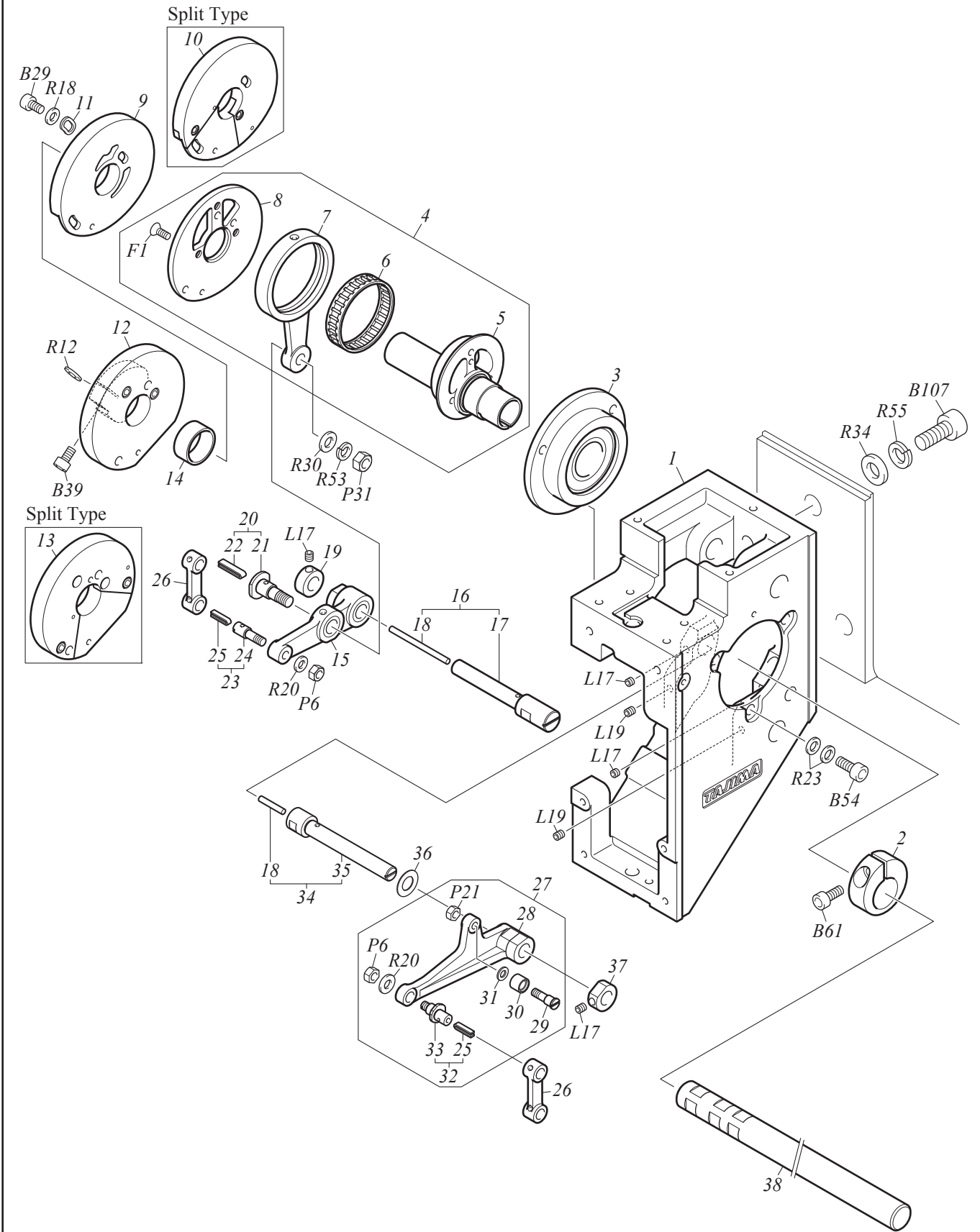
# ARM 2 (CM)

X5-7-2

No.	Part Name	Part No.	Remark
1	NEEDLE BAR[S]	080740060S20	
2	NEEDLE :PH-C70 #16	616500040000	
3	STOPPER COLLAR :7.24MM DIA.	502101020010	
4	SLEEVE :NEEDLE BAR SLIDE	080740280000	
5	SPACER :NO.2 :T0.9	510200520000	
6	SLEEVE :NEEDLE BAR	080740240010	
7	BEARING :6901ZZNR	630300070000	
8	SPLIT COLLAR :NO.1 :12MM DIA.	502312010010	
9	SPUR GEAR :38T	506138020000	
10	SLEEVE :NIPPLE SLIDE	080750020010	
11	PARALLEL KEY :ONE-SIDE ROUND	080750030020	
12	BUSHING	080750130000	
13	CONNECTING STUD :NIPPLE :B	080750010010	
14	SCREW BLOCK :NIPPLE CONNECTING STUD :B	080750040010	
15	NIPPLE :CE :0.9-2.2MM DIA.	08075005@000	
16	SLIDE BLOCK :PRESSER FOOT	080730050000	
17	GUIDE PIN :PRESSER FOOT ROD	080730060010	
18	ROD :PRESSER FOOT	080730100000	
19	BUSHING :PRESSER FOOT	509672010010	
20	COMPRESSION SPRING :0.8MM DIA.	507608030010	
21	BRACKET :PRESSER FOOT[S]	080730110S00	
22	COMPRESSION SPRING :2.0MM DIA.	507620010000	
23	TIGHTENING COLLAR :6MM DIA.	080730010010	
24	ROD :PRESSER FOOT	080730090010	
25	PRESSER FOOT :B	08073012B000	
26	CONNECTING STUD :PRESSER FOOT	080730020020	
27	FLAT FILLISTER HEAD SCREW :11/64*5.5	511154020010	
28	ROD :NIPPLE	080750090000	
29	COMPRESSION SPRING :0.9MM DIA.	507609010010	
30	RECIPROCATOR BLOCK :NEEDLE BAR	080740260010	
31	C SLEEVE	080760160010	
32	CONNECTING BLOCK :NIPPLE SLIDE BLOCK[S]	080750100S20	
33	O-RING :6.8MM DIA.	050320510000	
34	SLIDE BLOCK :NIPPLE	080750080000	
35	COMPRESSION SPRING :1.6MM DIA.	507612010010	
36	FLANGE PIN :NO.2	503502070000	
37			
38			
39			
40			
41			
42			
43			
44			
45			
46			
47			
48			
49			
50			

Note: As for parts with mark @, please follow our instructions on Table of Contents in your parts order.

(XL07)



# ARM 1

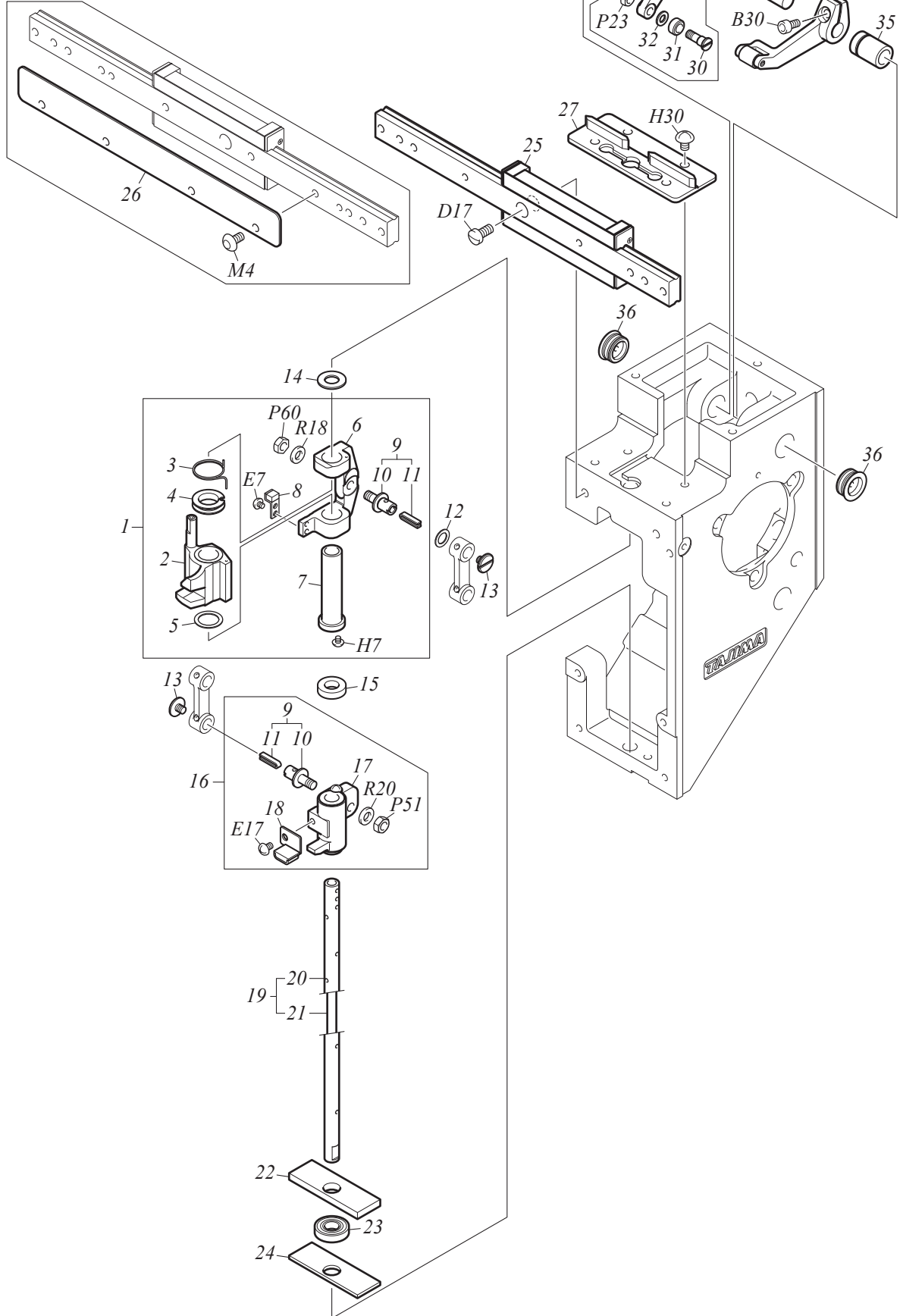
X5-8-1

No.	Part Name	Part No.	Remark
1	HEAD	080110030090	
2	TIGHTENING COLLAR :18MM DIA.	502218020010	
3	BEARING CASE :NO.2 :20MM DIA.[S]	508220070S10	
4	CAM :NEEDLE BAR[A]	080220150A10	
5	CAM :NEEDLE BAR	080220150010	
6	NEEDLE CAGE :K384188X PLASTIC	634400020000	
7	CONNECTING ROD :51.7	080220280020	
8	BASE :TAKE-UP LEVER CAM	080220310000	
9	CAM :TAKE-UP LEVER/REGULAR ROTARY HOOK	080220110020	
9	CAM :TAKE-UP LEVER	08022014J020	Jumbo Rotary Hook
10	CAM :SPLIT TYPE :TAKE-UP LEVER FOR 45 :REGULAR ROTARY HOOK[A]	9A0802800A00	
10	CAM :SPLIT TYPE :TAKE-UP LEVER FOR 45 :JUMBO ROTARY HOOK[A]	9A08028J0A00	
11	WASHER :CAM	080220180000	
12	CAM :PRESSER FOOT[A]	080220130A10	
13	CAM :PRESSER FOOT :SPLIT TYPE	9A0802500000	
14	COLLAR :NO.1 :18MM DIA.	502518010020	
15	LEVER :NEEDLE BAR[S]	080230120S10	
16	STEPPED PIN :NO.4	U8X04000000	
17	STEPPED PIN :NO.4	503204020020	
18	WICK :3P*61	080240230000	
19	STOPPER COLLAR :8MM DIA.	502108020010	
20	STEPPED SCREW :NO.2 :M6*13[S]	512206010S10	
21	STEPPED SCREW :NO.2 :M6*13	512206010010	
22	WICK :3.5*1*34	080240140000	
23	SCREW WITH PIN :NO.3 :11/64-7.7[A]	513354020A10	
24	SCREW WITH PIN :NO.3 :11/64-7.7	513354020010	
25	WICK :2.5*1*22	080240120010	
26	CONNECTING ROD	080230210000	
27	LEVER :DRIVE :PRESSER FOOT :45	U8K000000100	
28	LEVER :PRESSER FOOT[S]	080230140S50	
29	STEPPED SCREW :NO.1 :M4*5.3	512104160020	
30	ROLLER :5*8*5	515105020010	
31	PLAIN WASHER :4*7.5*T0.8	519104060000	
32	SCREW WITH ROLLER PIN :NO.4 :11/64E[S]	514454020S00	
33	SCREW WITH ROLLER PIN :NO.4 :11/64E	514454020000	
34	STEPPED PIN :NO.5[S]	0803Z0010S00	
35	STEPPED PIN :NO.5	0803Z0010030	
36	PLAIN WASHER :8*15*T0.5	519108050000	
37	STOPPER COLLAR :8MM DIA.	502108050010	
38	MAIN SHAFT :MX :15MM DIA.	QUB@010@0010	
39			
40			
41			
42			
43			
44			
45			
46			
47			
48			

Note: As for parts with mark @, please follow our instructions on Table of Contents in your parts order.

(YK07)

9, 12-Needle



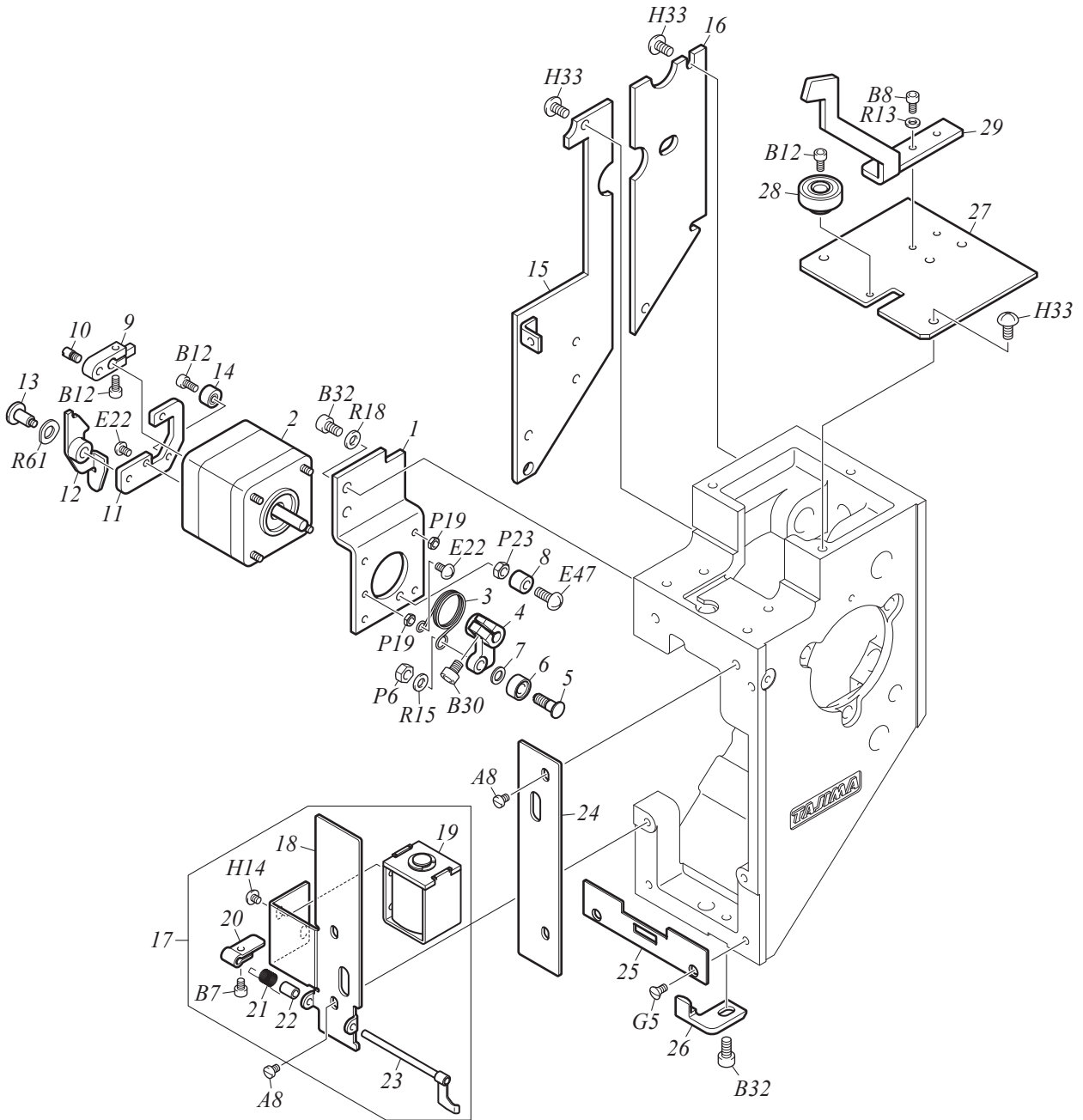
# ARM 2

X5-8-2

No.	Part Name	Part No.	Remark
1	NEEDLE BAR RECIPROCATOR :GN[A]	080210360A70	
2	NEEDLE BAR RECIPROCATOR[S]	080210270S40	
3	TORSION SPRING :0.7MM DIA.	507307010010	
4	HOLDER :JUMP SPRING	080210110010	
5	PLAIN WASHER :10.3*14*T0.5	519112010000	
6	RECIPROCATING SLIDE BLOCK	080210410050	
7	PLASTIC BUSHING :NO.2 :7.24MM DIA.	509472050010	
8	DAMPER BRACKET :NEEDLE BAR RECIPROCATOR	080210090000	
9	SCREW WITH PIN :NO.3 :11/64-7.9[A]	513354060A20	
10	SCREW WITH PIN :NO.3 :11/64-7.9	513354060020	
11	WICK :2.5*1*22	080240120010	
12	PLAIN WASHER :6*9.5*T0.05-0.5	51910604@020	
13	FLAT FILLISTER HEAD SCREW :9/64*4	511153010010	
14	FELT :14MM DIA.	080240060000	t1
15	FELT :14MM DIA.	080240220000	t3
16	PRESSER FOOT RECIPROCATOR :45MM ST[A]	080210430A20	
17	PRESSER FOOT RECIPROCATOR :45MM ST[S]	080210430S10	
18	DAMPER BRACKET :PRESSER FOOT RECIPROCATOR[S]	080210180S20	
19	NEEDLE BAR DRIVE SHAFT :AUTOMATIC LUBRICATION[S]	0L0210030S10	
20	NEEDLE BAR DRIVE SHAFT :AUTOMATIC LUBRICATION	0L0210030000	
21	WICK :3.5P*158	080240020020	
22	FELT :NEEDLE BAR DRIVE SHAFT :B	080240070000	
23	GUIDE :NEEDLE BAR CASE[S]	080250170S20	
24	FELT :NEEDLE BAR DRIVE SHAFT	080240130000	
25	LINEAR WAY :NEEDLE BAR CASE	08025009@010	
26	REINFORCING PLATE	08025005@000	
27	TAKE-UP LEVER GUIDE	080280070010	
28	LEVER :TAKE-UP LEVER[S]	080230020S00	
29	LEVER :TAKE-UP LEVER	080230020000	
30	STEPPED SCREW :NO.1 :M4*12.2	512104180000	
31	ROLLER :4.7*7.94*4	515121050020	
32	PLAIN WASHER :4*7.5*T0.8	519104060000	
33	STRAIGHT PIN :NO.1 :8MM DIA.	503101130000	
34	ARM :TAKE-UP LEVER[S]	080230060S00	
35	BEARING BUSHING :NO.1 :8MM DIA.	509508080000	
36	LID :TAKE-UP LEVER BEARING CASE :13MM DIA.	080290010000	
37			
38			
39			
40			
41			
42			
43			
44			
45			
46			
47			
48			
49			
50			

Note: As for parts with mark @, please follow our instructions on Table of Contents in your parts order.

(YK05)



# ARM 3

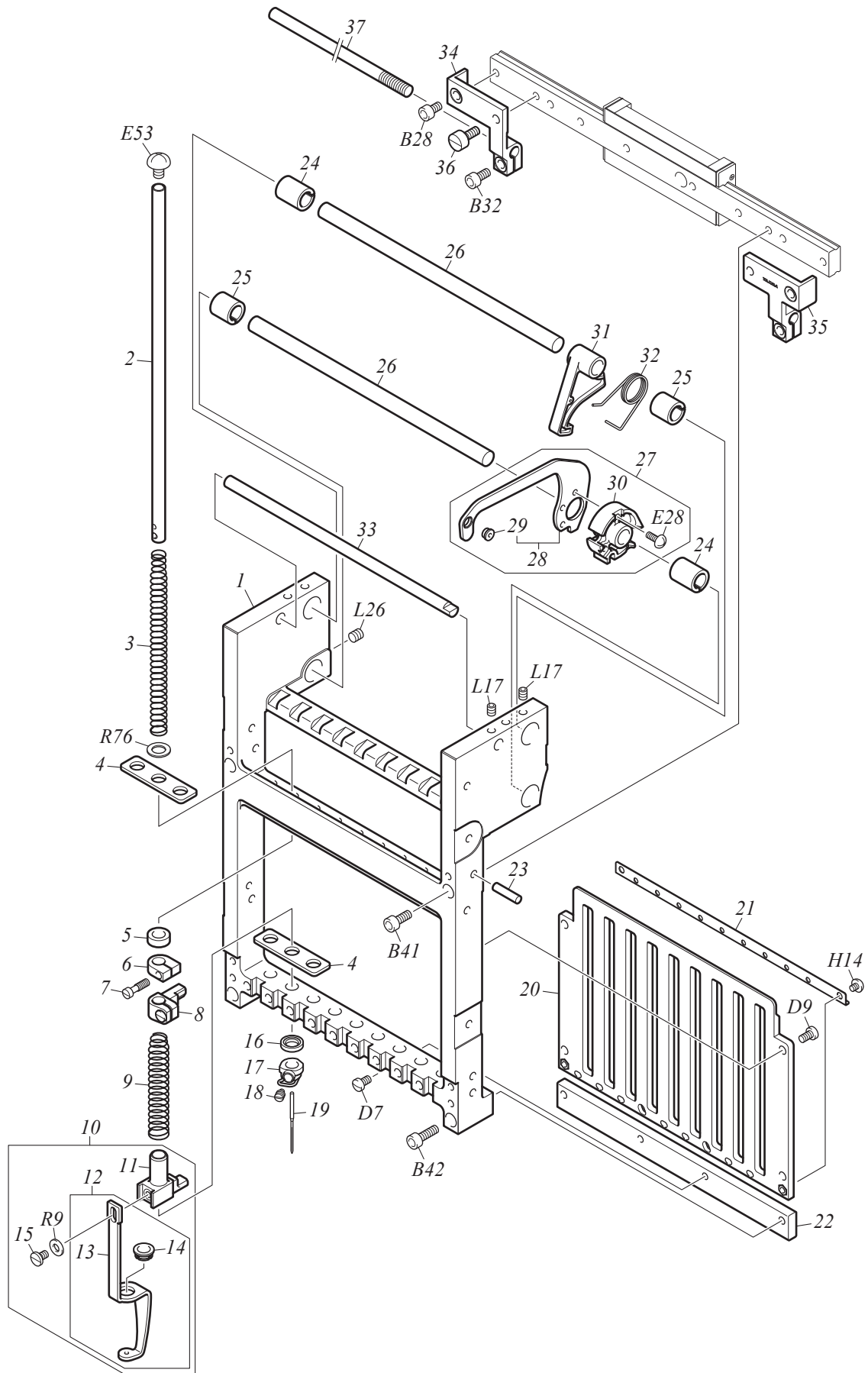
X5-8-3

No.	Part Name	Part No.	Remark
1	BRACKET :JUMP MOTOR	080320500000	
2	PULSE MOTOR :42MM SQUARE :DOUBLE-END[T]	0J6110700T10	
3	TORSION SPRING :0.9MM DIA.	507309040020	
4	LEVER :JUMP	080320420010	
5	STEPPED SCREW :NO.1 :11/64*14.7	512154010020	
6	ROLLER :4.7MM DIA.	515110010010	
7	WASHER :4.8*8*T0.8	S301040801KC	
8	DAMPER RING :4MM DIA.	080320410000	
9	LEVER :SEQUIN	0L0431030010	
10	SCREW WITH PIN :NO.1 :9/64-4	513153060010	
11	BASE :CLUTCH LEVER	080320380000	
12	CLUTCH LEVER[S]	080320370S30	
13	STEPPED SCREW :NO.1 :M3*2.8	512203010010	
14	DAMPER RING :3MM DIA. E	050320470010	
15	HEAD SIDE COVER :FRONT	080430120110	
16	HEAD SIDE COVER :REAR	080430090000	
17	UPPER THREAD LOCK SOLENOID :45[A]	08042032LA00	
18	HEAD FRONT COVER :45 :L	08042032L000	
19	SOLENOID :OPEN FRAME[A]	640600160A11	
20	LEVER :SOLENOID	080270010020	
21	TORSION SPRING :0.5MM DIA.	507305020020	
22	COLLAR :NO.1 :3.1MM DIA.	502505010000	
23	LEVER :DRIVE :B[S]	08027004BS00	
24	HEAD FRONT COVER :R	080420133010	
25	GUIDE PLATE :NEEDLE BAR CASE	080250010010	
26	GUIDE BRACKET :NEEDLE BAR CASE	080250200000	
27	HEAD TOP COVER	080290030020	
28	ROLLER PIN[S]	080290040S10	
29	SENSOR ARM	0C0230230010	
30			
31			
32			
33			
34			
35			
36			
37			
38			
39			
40			
41			
42			
43			
44			
45			
46			
47			
48			
49			
50			

Note: As for parts with mark @, please follow our instructions on Table of Contents in your parts order.

(XL07)

NEEDLE BAR CASE 1





# NEEDLE BAR CASE 1

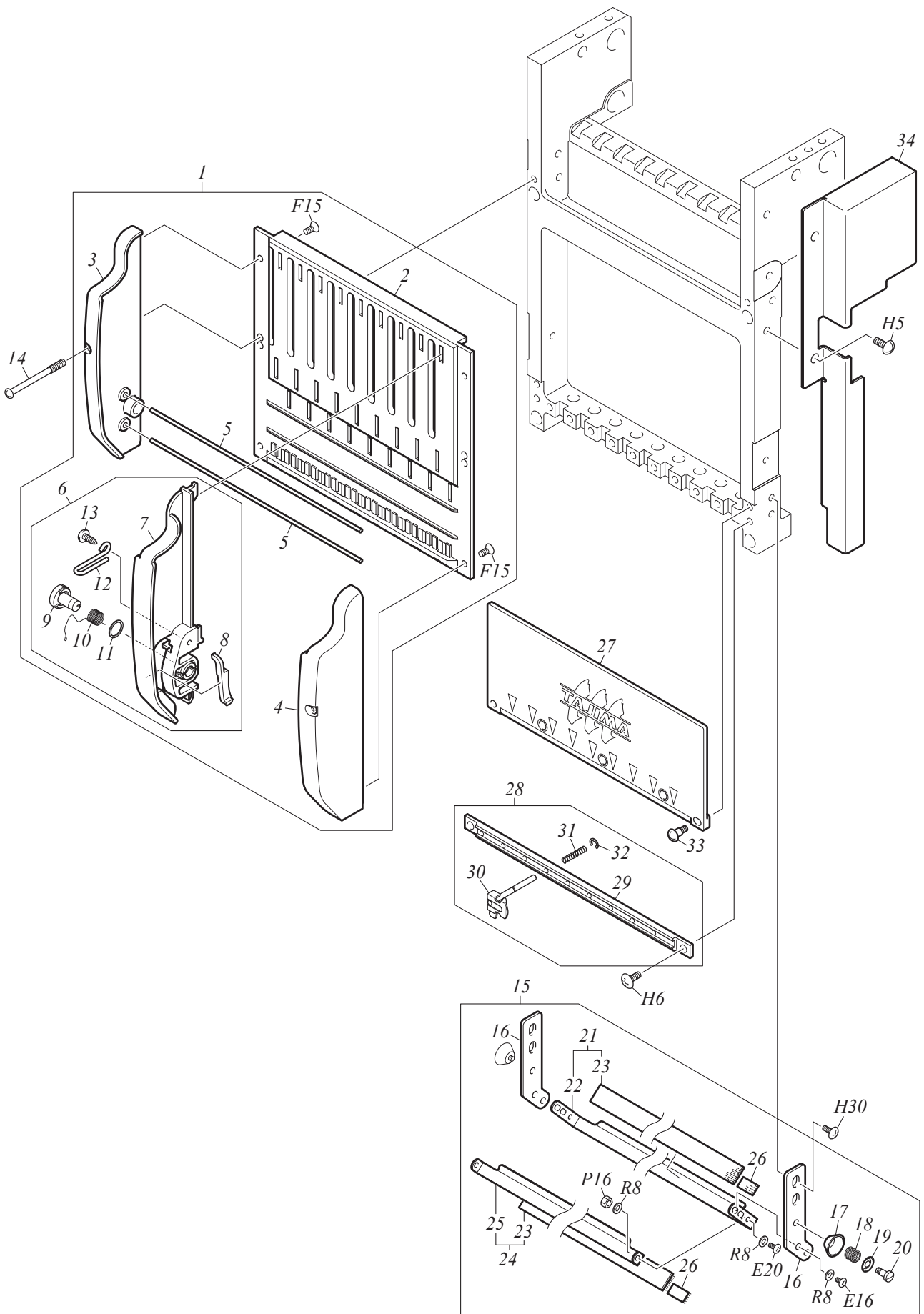
X5-9-1

No.	Part Name	Part No.	Remark
1	NEEDLE BAR CASE	09011023@010	
2	NEEDLE BAR	090410020010	
3	COMPRESSION SPRING :0.5MM DIA.	507605030040	
4	FELT PACKING	090430040000	
5	DAMPER RING :F	090430020010	
6	STOPPER :UPPER DEAD POINT	090420090000	
7	FLAT FILLISTER HEAD SCREW :9/64*10.5	511153030000	
8	NEEDLE BAR CONNECTING STUD[A]	090420060A10	
9	COMPRESSION SPRING :0.9MM DIA.	507609060000	
10	PRESSER FOOT :A[A]	09046001AA00	
11	PRESSER FOOT CONNECTING STUD	090420020020	
12	PRESSER FOOT[A]	090460010A00	
13	PRESSER FOOT	090460010000	
14	SPLIT COLLAR :PRESSER FOOT	090460040030	
15	FLAT FILLISTER HEAD SCREW :1/8*44	090470020010	
16	DAMPER RING :A	090430070040	
17	NEEDLE CLAMP[S]	090420010S70	
18	SLOTTED HEAD SET SCREW :11/64*6B	511754010010	
19	NEEDLE :DB-K5Z1 #11	616500080000	
20	NEEDLE BAR GUIDE	0904500@@010	
21	RAIL GUIDE	09023005@010	
22	RAIL :CASE :LOWER	09044001@010	
23	PARALLEL PIN :4*16-H7	611200050000	
24	SPLIT COLLAR :NO.1 :8MM DIA.	502308010010	
25	SPLIT COLLAR :NO.2 :8MM DIA.	502408020010	
26	GUIDE SHAFT :TAKE UP LEVER	09033001@000	
27	TAKE-UP LEVER[A]	090310050A40	
28	TAKE-UP LEVER[S]	090310050S40	
29	THREAD GUIDE COLLAR :2MM DIA.	516503020010	
30	BOSS :TAKE-UP LEVER	090310040010	
31	LEVER :STOPPER	090320010000	
32	TORSION SPRING :1MM DIA.	507310040010	
33	SPRING HOOK BAR	09033002@000	
34	BRACKET :CHANGE ROD :L	08026010L000	
35	BRACKET :CHANGE ROD :R	080260140000	
36	FLAT FILLISTER HEAD SCREW :M4*10	511104010010	
37	CHANGE ROD :MX :6MM DIA.	QUB@040@0000	
38			
39			
40			
41			
42			
43			
44			
45			
46			
47			
48			
49			
50			

Note: As for parts with mark @, please follow our instructions on Table of Contents in your parts order.

(XL07)

NEEDLE BAR CASE 2A



# NEEDLE BAR CASE 2A

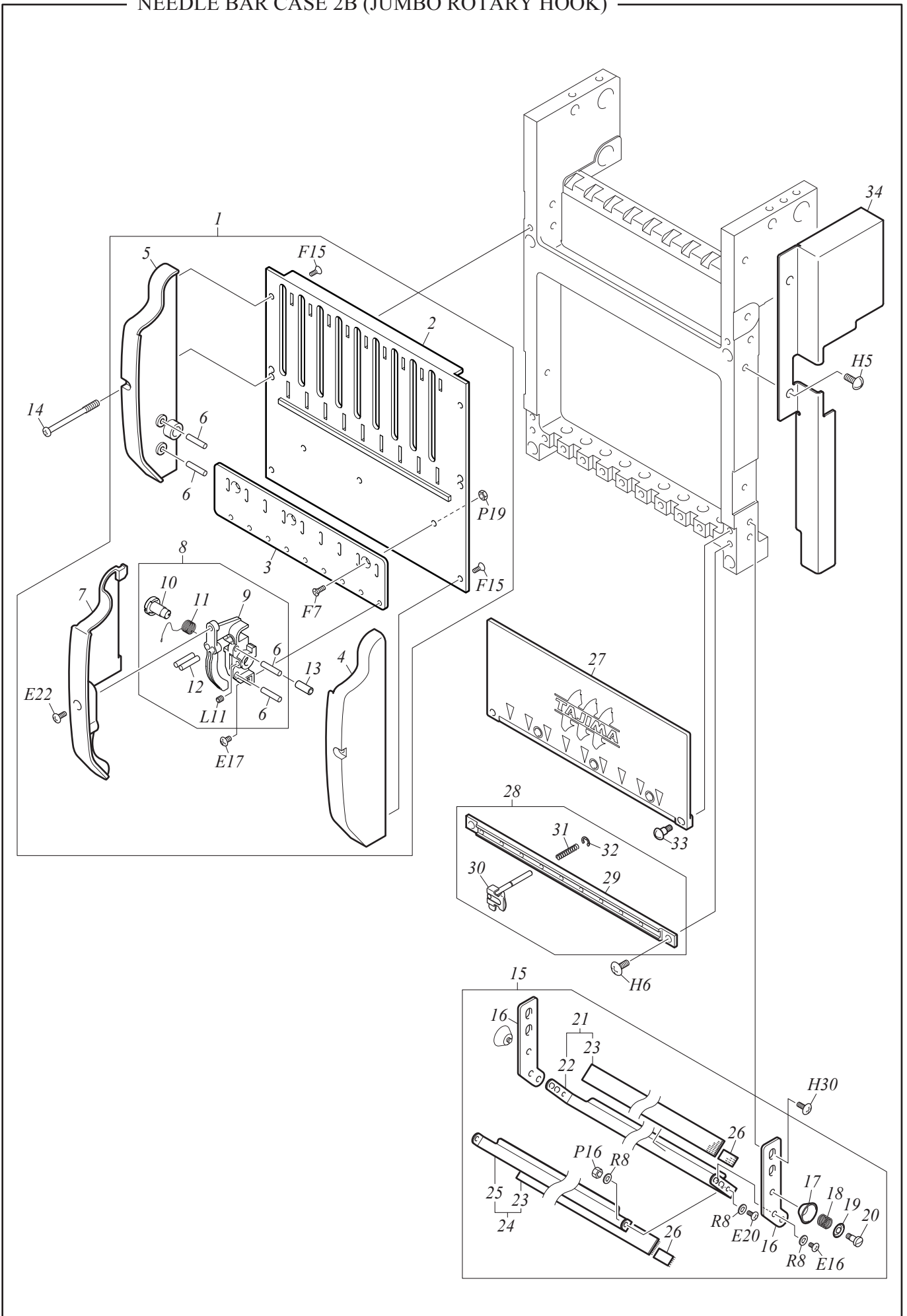
X5-9-2a

No.	Part Name	Part No.	Remark
1	TOP COVER[A]	09053024@A00	
1	TOP COVER :KB-2M :L :06-12-NEEDLE[A]	09053025@A00	M/C equipped with KB-2M L-side use
1	TOP COVER :KB-2M :R :06-12-NEEDLE[A]	09053026@A00	M/C equipped with KB-2M R-side use
1	TOP COVER :KB-2M :L/R :06-12-NEEDLE[A]	09053027@A00	M/C equipped with KB-2M L/R double-sided use
2	TOP COVER	09053023@000	
3	SIDE COVER :L	09053013L000	
3	SIDE COVER :KB-2M :L	09053025L000	M/C equipped with KB-2M L-side use
4	SIDE COVER :R	09053014R000	
4	SIDE COVER :KB-2M :R	09053026R000	M/C equipped with KB-2M R-side use
5	STRAIGHT PIN :2MM DIA.	09021054@000	
6	BASE :MIDDLE THREAD GUIDE :0.4MM DIA.[A]	090210511A10	
6	BASE :MIDDLE THREAD GUIDE :0.5MM DIA.[A]	090210512A10	Thick Thread
7	BASE :MIDDLE THREAD GUIDE	090210510010	
8	SIDE WALL PLATE :MIDDLE THREAD GUIDE	090210500010	
9	SPRING SHAFT :THREAD TAKE-UP SPRING	090210520000	
10	THREAD TAKE-UP SPRING :NO.2 :0.4MM DIA.	507204030010	
10	THREAD TAKE-UP SPRING :NO.2 :0.5MM DIA.	507205030000	Thick Thread
11	PLAIN WASHER :8*10*T0.5	519108110000	
12	LARGE THREAD HOLDER	090210530000	
13	TRUSS HEAD TAPPING SCREW :3P*12	S530031201SD	
14	PAN HEAD SCREW :9/64*40	511353020000	
15	BASE :UPPER THREAD HOLDER :LH	U941@0000010	
16	BRACKET :UPPER THREAD HOLDER	0B0200230000	
17	THREAD SUSPENDER DISK	0B0200050000	
18	COMPRESSION SPRING :0.3MM DIA.	507603020010	
19	PRESSER :THREAD SUSPENDER SPRING	0B0200060000	
20	STEPPED SCREW :NO.1 :9/64*7.5	512153040000	
21	BASE :UPPER THREAD HOLDER[S]	0B020024@S00	
22	BASE :UPPER THREAD HOLDER	0B020024@000	
23	VELCRO	0B020007@000	
24	UPPER THREAD HOLDER[S]	0B020025@S00	
25	UPPER THREAD HOLDER	0B020025@000	
26	VELCRO :12*8	0B0200220000	
27	FACE COVER :NEEDLE BAR CASE	09051001@B00	
28	UPPER THREAD LOCK :TA[A]	9A080490@A00	
29	BASE :UPPER THREAD LOCK	08027009@050	
30	LOCK SHAFT[S]	080270030S10	
31	COMPRESSION SPRING :0.3MM DIA.	9A0805100000	
32	E-RING :1.5MM DIA.	611100040000	
33	STEPPED SCREW :NO.1 :9/64*8.8	512153150000	
34	COVER :NEEDLE BAR CASE	090590050000	
35			
36			
37			
38			
39			
40			
41			
42			
43			

Note: As for parts with mark @, please follow our instructions on Table of Contents in your parts order.

(XL09)

NEEDLE BAR CASE 2B (JUMBO ROTARY HOOK)



# NEEDLE BAR CASE 2B (JUMBO ROTARY HOOK)

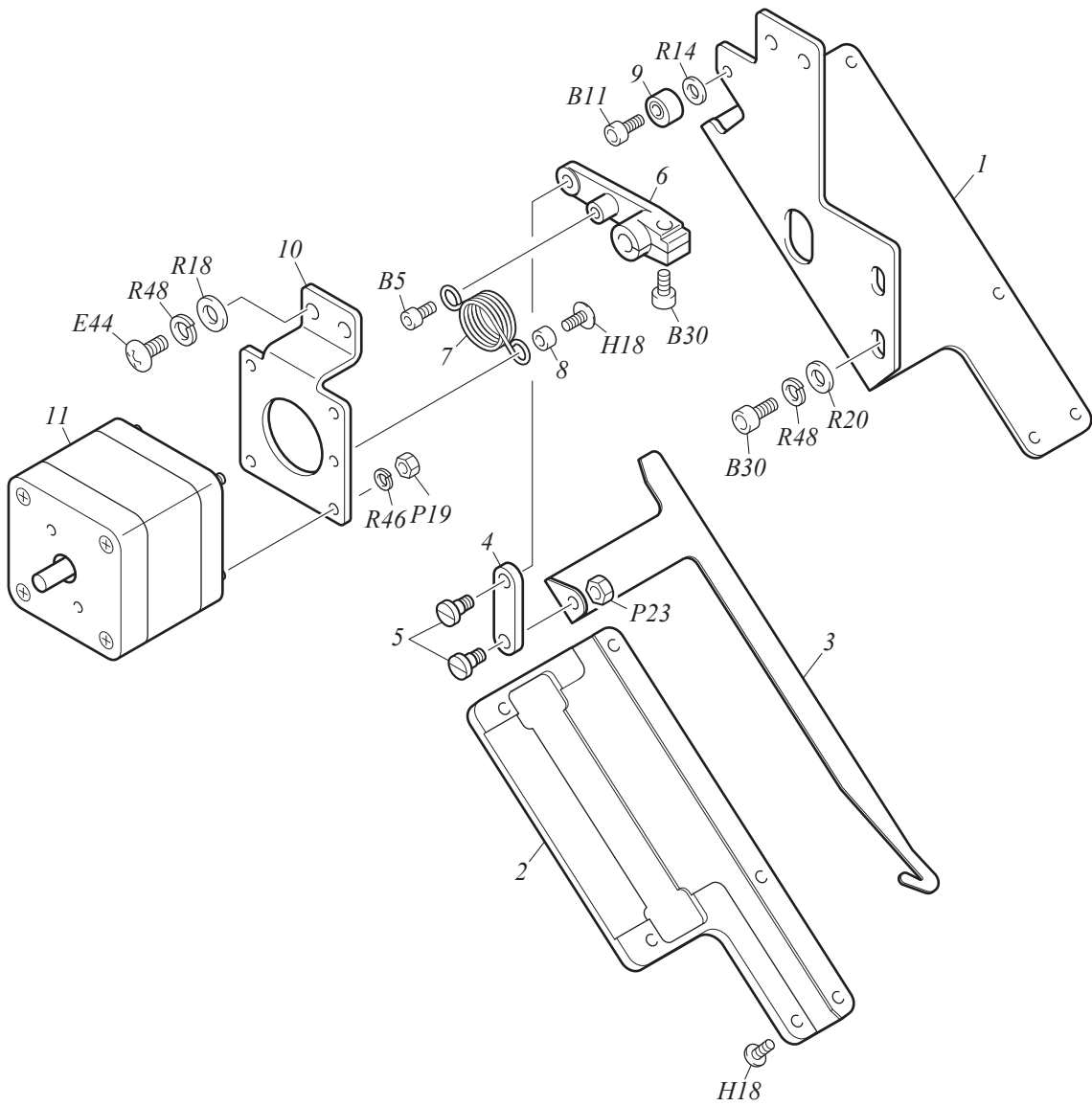
X5-9-2b

No.	Part Name	Part No.	Remark
1	TOP COVER :06-15-NEEDLE[A]	09053015@A30	
2	TOP COVER	09053010@000	
3	MIDDLE THREAD GUIDE BASE	09021039@000	
4	SIDE COVER :R	09053014R000	
5	SIDE COVER :L	09053013L000	
6	STRAIGHT PIN :NO.1 :3MM DIA.	503101150020	
7	FRONT FACE COVER :MIDDLE THREAD GUIDE	090530120000	
8	BASE :MIDDLE THREAD GUIDE :0.4MM DIA.[A]	090210561A10	
8	BASE :MIDDLE THREAD GUIDE :0.5MM DIA.[A]	090210562A10	Thick Thread
9	BASE :MIDDLE THREAD GUIDE	090210400020	
10	SPRING SHAFT :THREAD TAKE-UP SPRING	090210410000	
11	THREAD TAKE-UP SPRING :NO.2 :0.4MM DIA.	507204030010	
11	THREAD TAKE-UP SPRING :NO.2 :0.5MM DIA.	507205030000	Thick Thread
12	STRAIGHT PIN :NO.1 :3MM DIA.*15.8	503101620000	
13	URETHANE TUBE :4MM DIA. :10L	090210440000	
14	PAN HEAD SCREW :9/64*40	511353020000	
15	BASE :UPPER THREAD HOLDER :LH	U941@0000010	
16	BRACKET :UPPER THREAD HOLDER	0B0200230000	
17	THREAD SUSPENDER DISK	0B0200050000	
18	COMPRESSION SPRING :0.3MM DIA.	507603020010	
19	PRESSER :THREAD SUSPENDER SPRING	0B0200060000	
20	STEPPED SCREW :NO.1 :9/64*7.5	512153040000	
21	BASE :UPPER THREAD HOLDER[S]	0B020024@S00	
22	BASE :UPPER THREAD HOLDER	0B020024@000	
23	VELCRO	0B020007@000	
24	UPPER THREAD HOLDER[S]	0B020025@S00	
25	UPPER THREAD HOLDER	0B020025@000	
26	VELCRO :12*8	0B0200220000	
27	FACE COVER :NEEDLE BAR CASE	09051001@B00	
28	UPPER THREAD LOCK :TA[A]	9A080490@A00	
29	BASE :UPPER THREAD LOCK	08027009@050	
30	LOCK SHAFT[S]	080270030S10	
31	COMPRESSION SPRING :0.3MM DIA.	9A0805100000	
32	E-RING :1.5MM DIA.	611100040000	
33	STEPPED SCREW :NO.1 :9/64*8.8	512153150000	
34	COVER :NEEDLE BAR CASE	090590050000	
35			
36			
37			
38			
39			
40			
41			
42			
43			
44			
45			
46			
47			
48			

Note: As for parts with mark @, please follow our instructions on Table of Contents in your parts order.

(XL09)

UPPER THREAD HOLDER



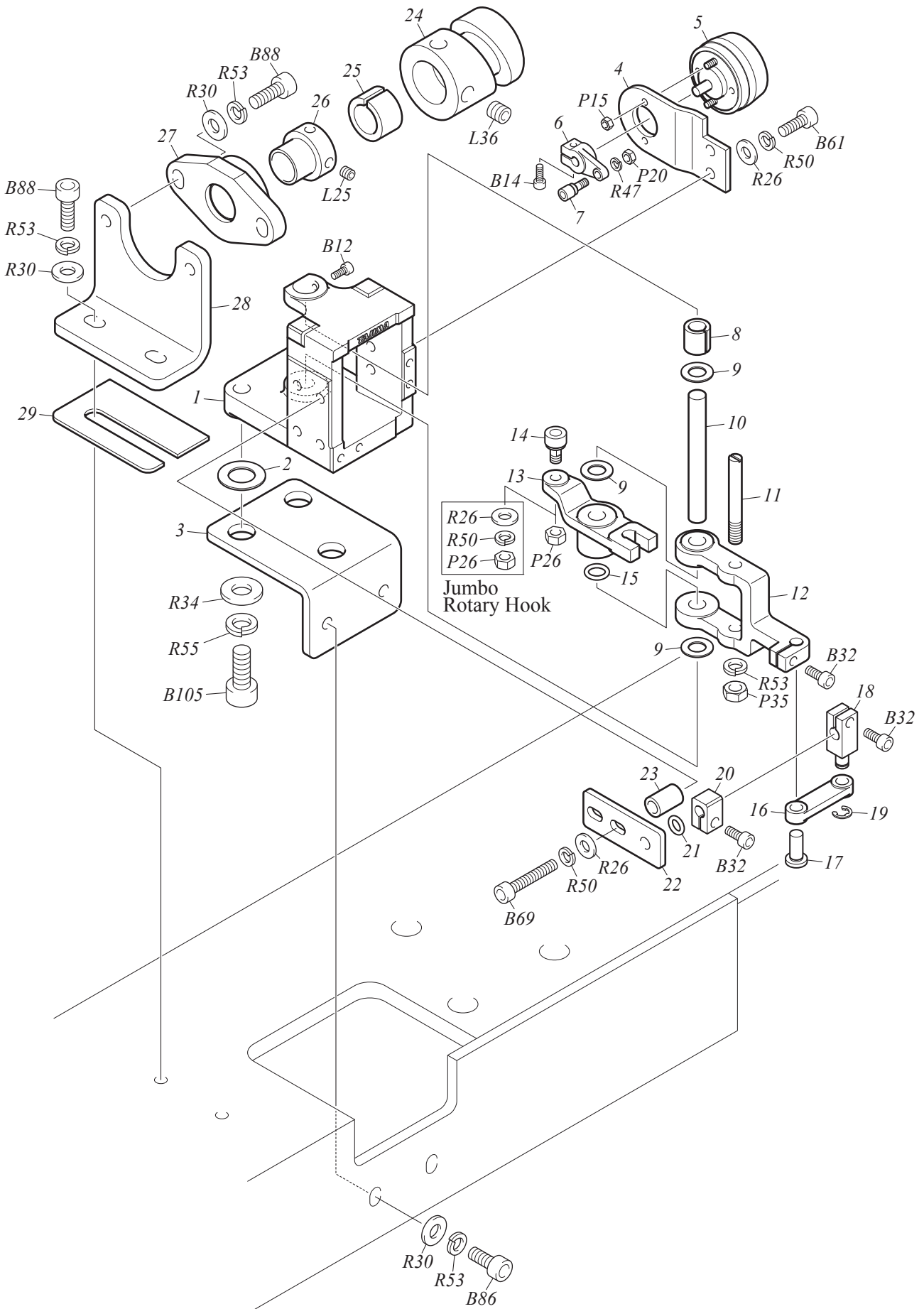
# UPPER THREAD HOLDER

X5-10

No.	Part Name	Part No.	Remark
1	BASE :HOOK	0B0110450000	
2	COVER :UPPER THREAD HOOK BASE	0B0120020000	
3	UPPER THREAD HOOK	0B0110180000	
4	CONNECTING PLATE :UPPER THREAD HOOK	0B0110460000	
5	STEPPED SCREW :NO.1 :M4*6.7	512104100040	
6	LEVER :UPPER THREAD HOOK	0B0120030000	
7	TORSION SPRING :0.8MM DIA.	507308150000	
8	COLLAR :NO.1 :3MM DIA.	502503070010	
9	DAMPER RING :3MM DIA. E	050320470010	
10	BASE :HOOK MOTOR	0B0110390010	
11	PULSE MOTOR :42MM SQUARE :DOUBLE-END[T]	0J6110700T10	
12			
13			
14			
15			
16			
17			
18			
19			
20			
21			
22			
23			
24			
25			
26			
27			
28			
29			
30			
31			
32			
33			
34			
35			
36			
37			
38			
39			
40			
41			
42			
43			
44			
45			
46			
47			
48			
49			
50			

Note: As for parts with mark @, please follow our instructions on Table of Contents in your parts order.

(XL07)





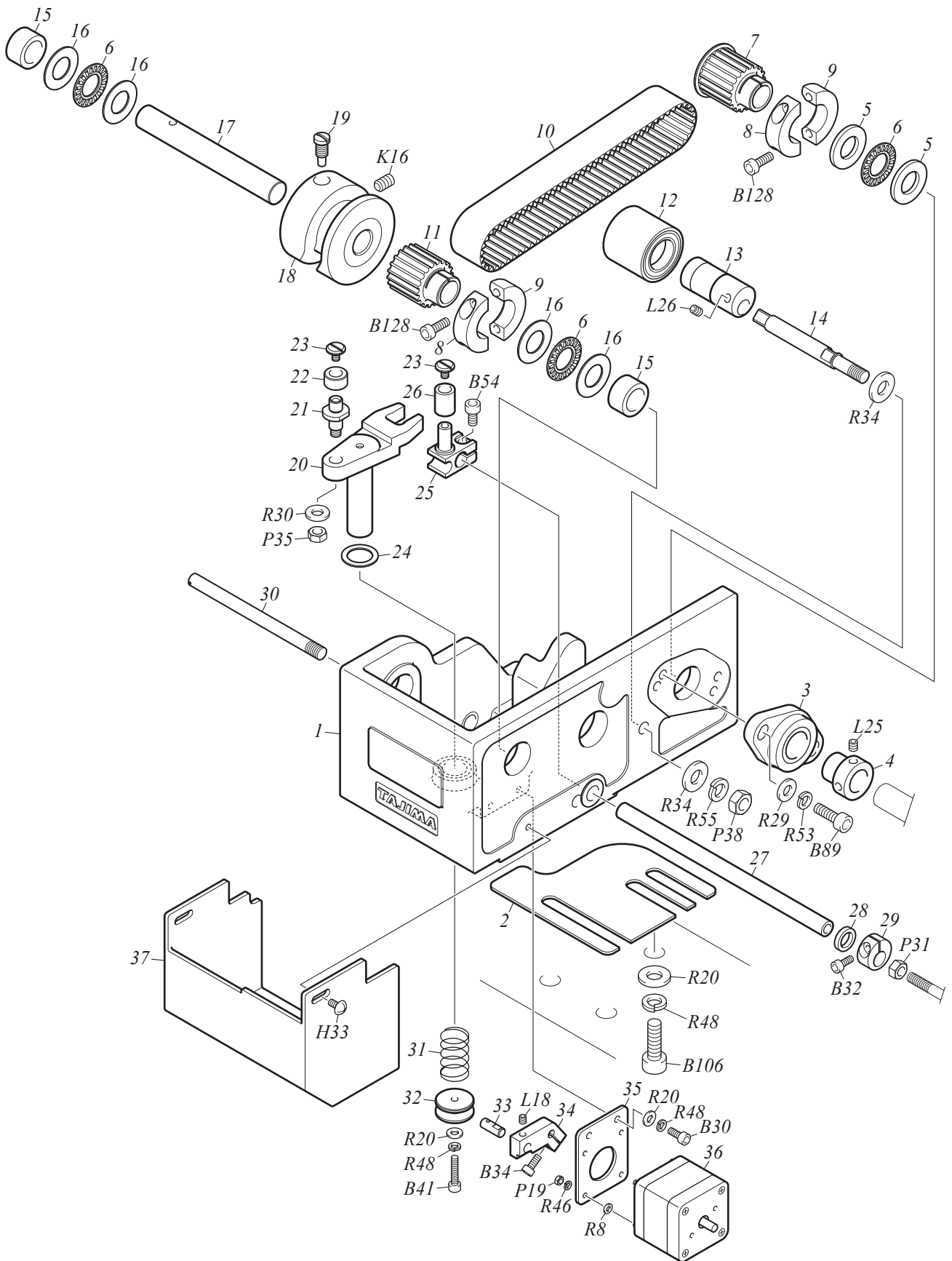
# ATH DRIVE SYSTEM A (1, 2 PAIRED HEAD)

X5-11a

No.	Part Name	Part No.	Remark
1	BASE :ATH	0E0110080010	
2	PLAIN WASHER :12.5*22*T0.1-1	51911401@000	
3	BASE :ATH	0E0110140000	
4	BRACKET :ATH SOLENOID	0E0210450010	
5	SOLENOID :ROTARY	640600090011	
6	LEVER :ATH SOLENOID	0E0210570000	
7	SCREW WITH ROLLER PIN :NO.1[S]	514131010S10	
8	SPLIT COLLAR :NO.2 :8MM DIA.	502408020010	
9	PLASTIC WASHER :8.2*12*T0.5	519210010000	
10	STRAIGHT PIN :NO.1 :8MM DIA.	503101190010	
11	SCREW WITH PIN :NO.4 :M6-36	513106010010	
12	ARM :ATH CONNECTING PLATE	0E0210420000	
13	LEVER :ATH CAM	0E0210400000	
13	LEVER :ATH CAM/JUMBO ROTARY HOOK	0E0210500000	
14	ROLLER PIN[S]	514405020S00	
15	O-RING :P-8	612200060000	
16	CONNECTING ROD :ATH ROD CLAMP	0E0210440000	
17	FLANGE PIN	503501060040	
18	CLAMP :ATH ROD	0E0210740000	
19	E-RING :4MM DIA.	611100070000	
20	STOPPER :ATH ROD	0E0210470010	
21	O-RING :P-6	612200040000	
22	HOLDER :ATH SHAFT	0E0210750010	
23	STEEL SPACER :CF-615E	619181671000	
24	CAM :ATH	0E0210490000	
25	SPLIT COLLAR :NO.1 :15MM DIA.	502315020010	
26	NEEDLE COLLAR :15MM DIA.	502815010000	
27	BEARING CASE :NO.3 :15MM DIA.[S]	508315010S00	
28	BRACKET :BEARING CASE	0E0210760000	
29	SPACER :NO.3 :T2	510300010010	Regular Rotary Hook
30			
31			
32			
33			
34			
35			
36			
37			
38			
39			
40			
41			
42			
43			
44			
45			
46			
47			
48			
49			

Note: As for parts with mark @, please follow our instructions on Table of Contents in your parts order.

(YK04)



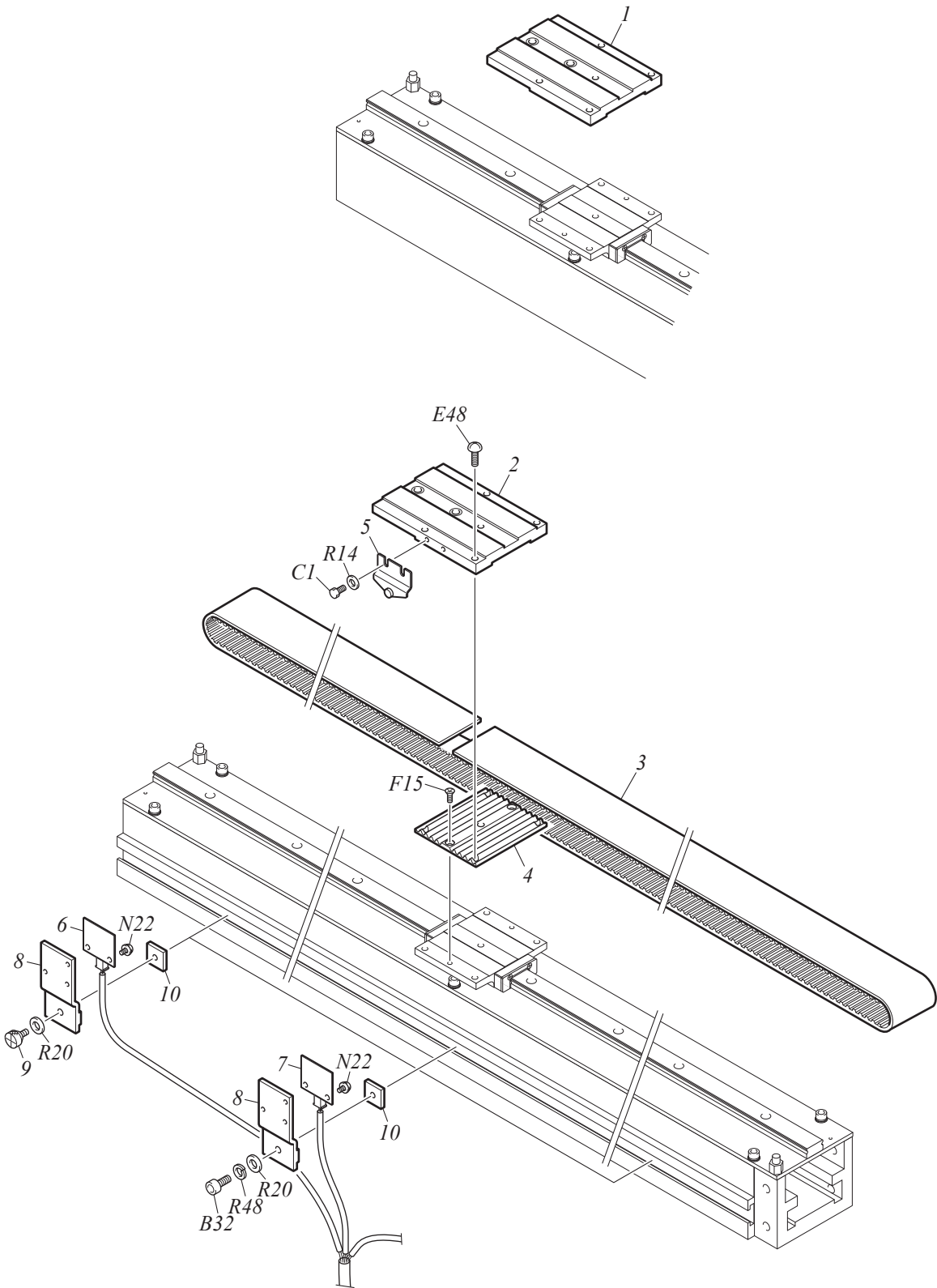
# ATH DRIVE SYSTEM B (4 PAIRED HEAD)

X5-11b

No.	Part Name	Part No.	Remark
1	BASE :ATH CAM[S]	0E0110150S20	
2	SPACER :NO.4 :T0.5-2.0	51040020@000	
3	BEARING CASE :NO.3 :15MM DIA.[S]	508315010S00	
4	NEEDLE COLLAR :15MM DIA.	502815010000	
5	THRUST WASHER :GS1528	633200110000	
6	THRUST BEARING :NTB1528	633100030000	
7	TIMING PULLEY :W25-20[S]	501454060S00	
8	TIGHTENING COLLAR :A :20MM DIA.	502220020000	
9	TIGHTENING COLLAR :B :20MM DIA.	502220030000	
10	TIMING BELT :SPTG :W25-S5M0395/G	623400310000	
11	TIMING PULLEY :W25-20	501454070000	
12	FLAT PULLEY :36MM DIA.[S]	501903050S10	
13	STRAIGHT PIN E :TENSION PULLEY	0E0210690010	
14	SCREW WITH PIN :NO.1 :M8-66.5	513110040000	
15	NEEDLE BEARING :HMK1512	634200130000	
16	THRUST WASHER :AS1528	633200040000	
17	SHAFT :ATH CAM	0E0210210000	
18	CAM :ATH	0E0120010020	
19	ROUND FILLISTER HEAD SCREW :9/32*17.5B	511252010000	
20	LEVER :ATH	0E0210840000	
21	SCREW WITH ROLLER PIN :NO.5 :M6	514406010000	
22	ROLLER :8*14*8	515108030000	
23	FLAT FILLISTER HEAD SCREW :11/64*7	511154010030	
24	PLASTIC WASHER :15.5*22*T1	519216020000	
25	PIN :ATH BASE ROD	0E0210910000	
26	ROLLER :8*12*15.8	515108050000	
27	BASE ROD :ATH	0E0210590010	
28	RUBBER WASHER :10*15*3	519210040000	
29	TIGHTENING COLLAR :10MM DIA.	502210030010	
30	SCREW WITH PIN :NO.4 :M8-110	513408030010	
31	COMPRESSION SPRING :0.8MM DIA.	507608120010	
32	UP/DOWN COLLAR :ATH	0E0210260010	
33	STRAIGHT PIN :NO.2 :6MM DIA.	503102010010	
34	LEVER :SHAFT LEVER ROD	0E0210280010	
35	BRACKET :ATH MOTOR	0E0210670000	
36	PULSE MOTOR :42MM SQUARE :DOUBLE-END[T]	0J6110700T10	
37	COVER :ATH CAM BOX	0E0210870000	
38			
39			
40			
41			
42			
43			
44			
45			
46			
47			
48			
49			
50			

Note: As for parts with mark @, please follow our instructions on Table of Contents in your parts order.

(XL07)



# X-AXIS DRIVE SYSTEM 1

X5-12-1

No.	Part Name	Part No.	Remark
1	X-AXIS FEED PLATE :NO.2 :AZ :W35[S]	0F2120040S10	
2	X-AXIS FEED PLATE :NO.2 :BZ :W35[S]	0F2120050S10	
3	TIMING BELT :MA5 :A :W35-E/LY :EX630 OR MORE	623D0019@000	
4	JOINT PLATE :BELT	0F0130020000	
5	SENSOR PLATE :MAGNET[S]	0F0110070S00	1, 2 paired Head M/C
5	SENSOR PLATE :MAGNET[S]	0F0110080S00	4 paired Head M/C
6	CARD :MAGNETIC SENSOR B	0J4204401000	
7	CARD :MAGNETIC SENSOR A	0J4204400000	
8	BASE :PROXIMITY SWITCH	0F0110060000	
9	KNURLED SCREW :M4*9	511D04020000	
10	NUT :M4*3.2	0F0110030000	
11			
12			
13			
14			
15			
16			
17			
18			
19			
20			
21			
22			
23			
24			
25			
26			
27			
28			
29			
30			
31			
32			
33			
34			
35			
36			
37			
38			
39			
40			
41			
42			
43			
44			
45			
46			
47			
48			
49			

Note: As for parts with mark @, please follow our instructions on Table of Contents in your parts order.

(XL07)



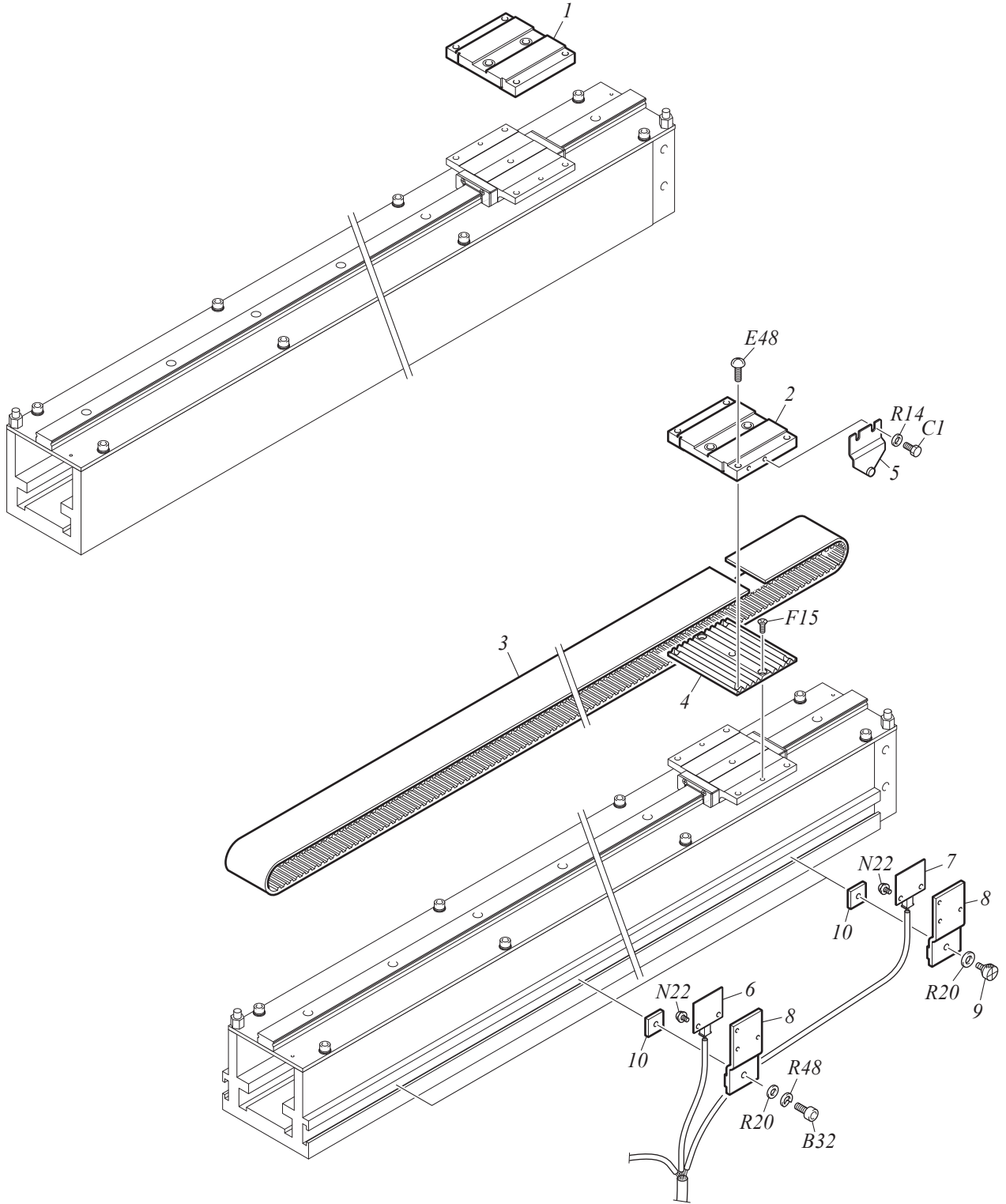
# X-AXIS DRIVE SYSTEM 2

X5-12-2

No.	Part Name	Part No.	Remark
1	X-DRIVE BASE :NO.1 :X630 OR MORE	16012028@000	1, 2 paired Head M/C
1	X-DRIVE BASE :NO.1 :X630 OR MORE	16012011@000	4 paired Head M/C
2	X-DRIVE BASE :NO.2 :X630 OR MORE	16022028@000	1, 2 paired Head M/C
2	X-DRIVE BASE :NO.2 :X630 OR MORE	16022013@000	4 paired Head M/C
3	SPACER :NO.2 :T0.5-2	51020009@000	
4	HOLDER :TENSION PULLEY	0F0120010000	
5	STRAIGHT PIN :NO.1 :12MM DIA.	503101110000	
6	STRAIGHT PIN :NO.1 :14MM DIA.	503101070010	
7	BASE :TENSION PULLEY	0F0120130000	
8	BASE :TENSION PULLEY	0F0120050000	
9	COLLAR :NO.1 :12MM DIA.	502512030000	
10	TIMING PULLEY :W35-16[S]	501470050S10	
11	STRAIGHT PIN :NO.4 :12MM DIA.	503104040000	
12	LINEAR BASE :X180-1200	0F016001@000	
13	STUD :NO.4 :M5-7	505405010010	
14	LINEAR WAY	660100@@0000	X-axis Drive System
15	BEARING COLLAR :15MM DIA.	502715080000	
16	BEARING CASE :NO.5 :L :17MM DIA.[S]	50851706LS00	
17	BEARING CASE :NO.5 :L	50851706L000	
18	BEARING :6003ZZ	630200080000	
19	BEARING CASE :NO.5 :R :17MM DIA.[S]	50851706RS00	
20	BEARING CASE :NO.5 :R	50851706R000	
21	TIMING PULLEY :W35-16	501G70010000	
22	X SHAFT	Q001X1@@0000	2pcs. X-axis Drive System
22	X SHAFT	Q001X2@@0000	3pcs. X-axis Drive System
23	TIGHTENING JOINT :12MM DIA.	504312010010	
24	BRACKET :Y MOTOR	0F0310040010	
25	SPACER :NO.4 :T0.5-2	51040009@000	
26	PULSE MOTOR :86MM DIA. :WITH SENSOR[A]	0J6106700A20	
27	TIGHTENING COUPLING :15MM DIA.	504315010000	
28	BRACKET :X MOTOR :6-1004	0F0320040010	
29	SPACER :NO.4 :T0.5-2	51040008@000	
30	PULSE MOTOR :106MM DIA. :WITH SENSOR[A]	0J6105700A20	
31			
32			
33			
34			
35			
36			
37			
38			
39			
40			
41			
42			
43			
44			
45			
46			
47			

Note: As for parts with mark @, please follow our instructions on Table of Contents in your parts order.

(XL07)





# Y-AXIS DRIVE SYSTEM 1A (1, 2 PAIRED HEAD)

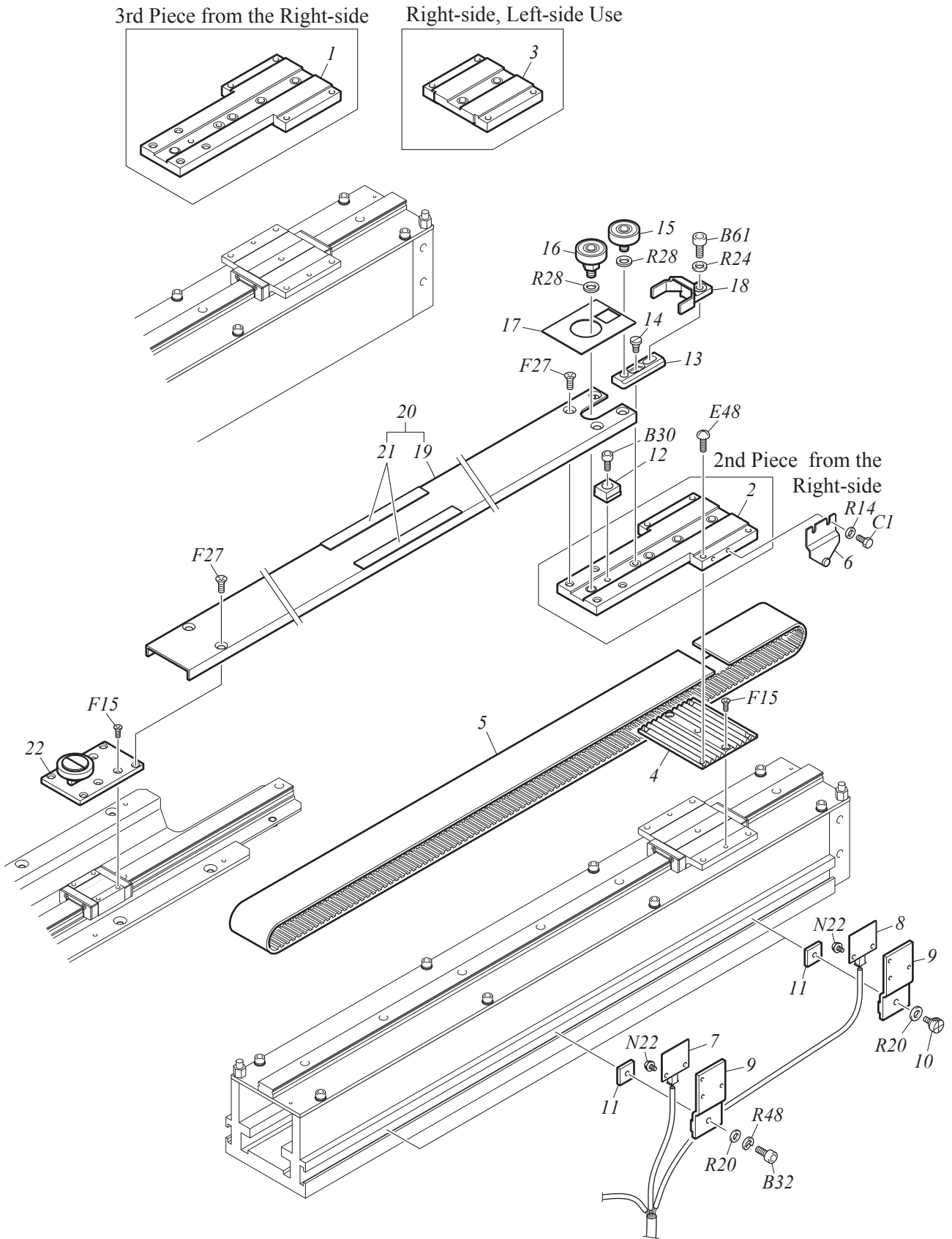
X5-13-1a

No.	Part Name	Part No.	Remark
1	Y-AXIS FEED PLATE :NO.2 :AZ :W35[S]	0F2320030S00	
2	Y-AXIS FEED PLATE :NO.2 :BZ :W35[S]	0F2320040S00	
3	TIMING BELT :MA5 :A :W35-E/LY :EY	623D0017@000	
4	JOINT PLATE :BELT	0F0130020000	
5	SENSOR PLATE :MAGNET[S]	0F0110070S00	
6	CARD :MAGNETIC SENSOR A	0J4204400000	
7	CARD :MAGNETIC SENSOR B	0J4204401000	
8	BASE :PROXIMITY SWITCH	0F0110060000	
9	KNURLED SCREW :M4*9	511D04020000	
10	NUT :M4*3.2	0F0110030000	
11			
12			
13			
14			
15			
16			
17			
18			
19			
20			
21			
22			
23			
24			
25			
26			
27			
28			
29			
30			
31			
32			
33			
34			
35			
36			
37			
38			
39			
40			
41			
42			
43			
44			
45			
46			
47			
48			
49			
50			

Note: As for parts with mark @, please follow our instructions on Table of Contents in your parts order.

(XL07)

Y-AXIS DRIVE SYSTEM 1B (4 PAIRED HEAD)



# Y-AXIS DRIVE SYSTEM 1B (4 PAIRED HEAD)

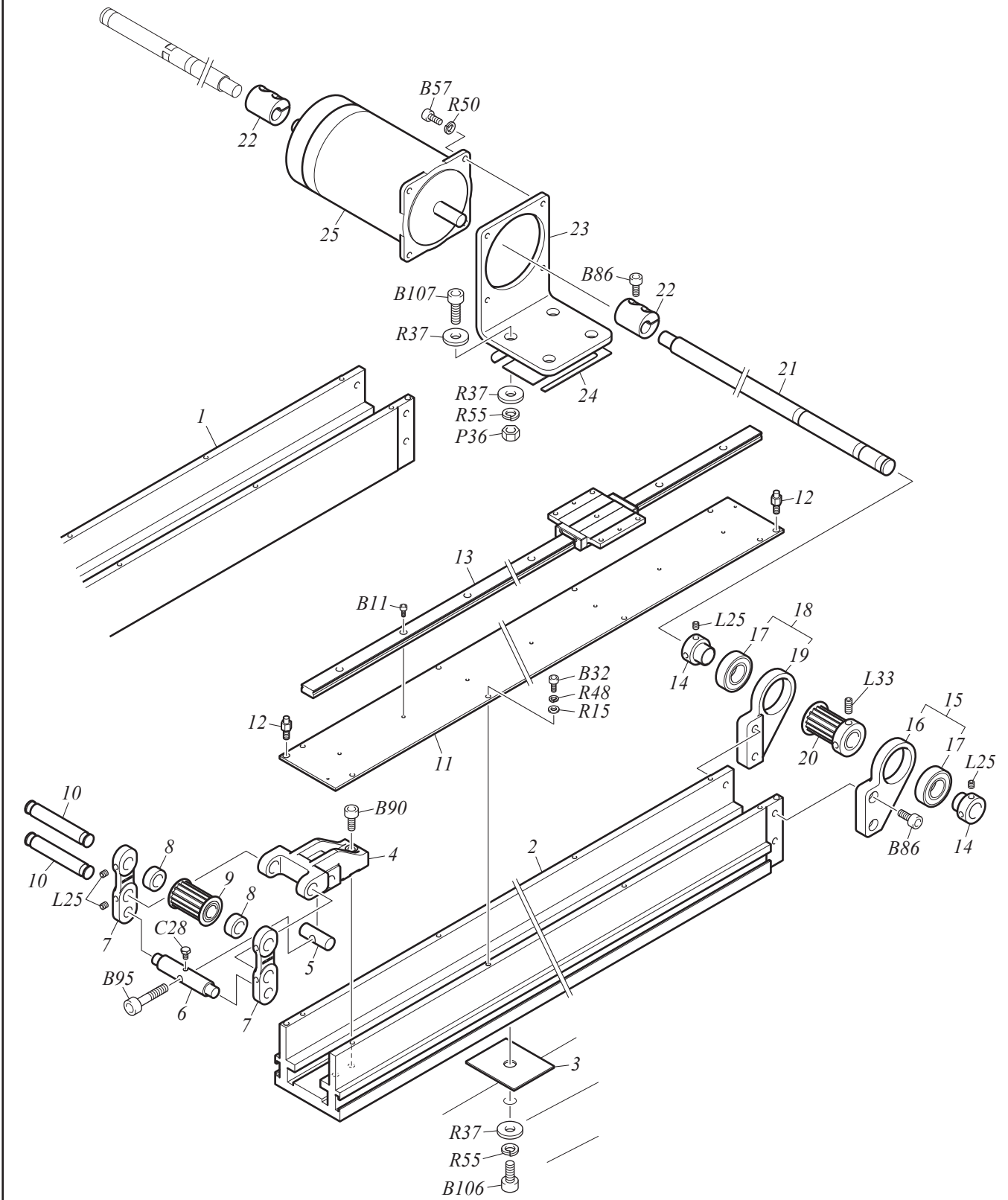
X5-13-1b

No.	Part Name	Part No.	Remark
1	Y-AXIS FEED PLATE :NO.1 :AZ :W35[S]	0F231021AS20	
2	Y-AXIS FEED PLATE :NO.1 :BZ :W35[S]	0F231021BS20	
3	Y-AXIS FEED PLATE :NO.2 :AZ :W35[S]	0F2320030S00	
4	JOINT PLATE :BELT	0F0130020000	
5	TIMING BELT :MA5 :A :W35-E/LY :EY	623D0017@000	
6	SENSOR PLATE :MAGNET[S]	0F0110070S00	
7	CARD :MAGNETIC SENSOR A	0J4204400000	
8	CARD :MAGNETIC SENSOR B	0J4204401000	
9	BASE :PROXIMITY SWITCH	0F0110060000	
10	KNURLED SCREW :M4*9	511D04020000	
11	NUT :M4*3.2	0F0110030000	
12	HOLDER BLOCK :FRAME	0F0150080010	
13	BASE :SCREW WITH ROLLER PIN	0F0150010020	
14	STEPPED SCREW :NO.1 :M4*8.2	512104060010	
15	ROLLER PIN[S]	505406010S10	
16	SCREW WITH ROLLER PIN :NO.1 :M6[S]	514106290S00	
17	HOLDER :TABLE COVER	0F0140140000	
18	COVER :FRAME BEARING	0G0200030020	
19	Y-AXIS FEED CONNECTING PLATE :Y450-	0F018028@000	
20	Y-AXIS FEED CONNECTING PLATE :Y680-1600[S]	0F018028@S00	Y: 680mm or more
21	FELT :10*2*100	0F0170030000	Y: 680mm or more
21	FELT :10*2*500	0F0170130000	Y: 1200mm or more
22	Y-AXIS FEED PLATE :FRONT[S]	0F3210080S00	
23			
24			
25			
26			
27			
28			
29			
30			
31			
32			
33			
34			
35			
36			
37			
38			
39			
40			
41			
42			
43			
44			
45			
46			
47			
48			
49			

Note: As for parts with mark @, please follow our instructions on Table of Contents in your parts order.

(XL07)

Y-AXIS DRIVE SYSTEM 2A (1, 2 PAIRED HEAD)



# Y-AXIS DRIVE SYSTEM 2A (1, 2 PAIRED HEAD)

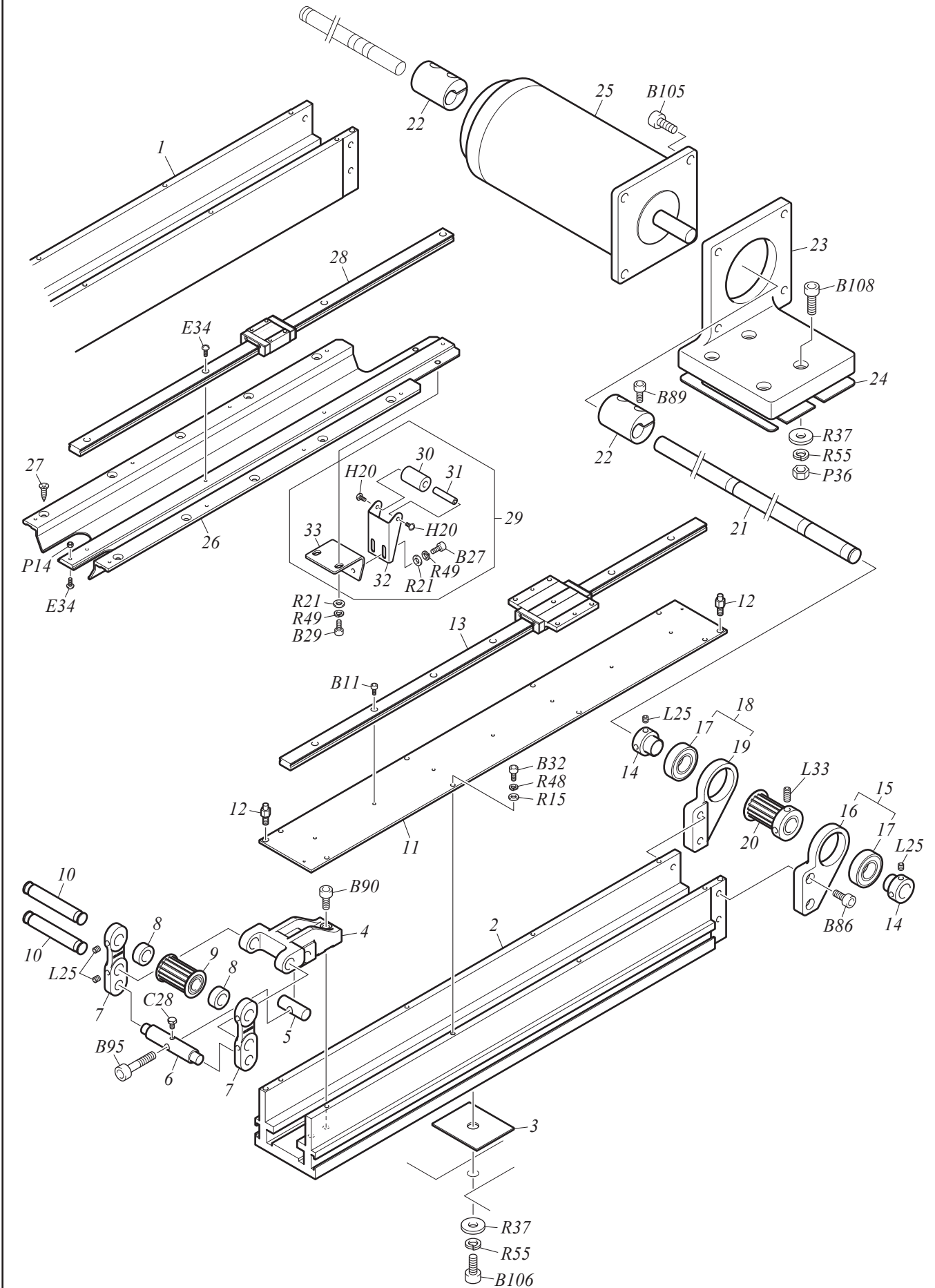
X5-13-2a

No.	Part Name	Part No.	Remark
1	Y-DRIVE BASE :NO.1 :Y360-	16011019@000	
2	Y-DRIVE BASE :NO.2 :Y360-	16021017@000	
3	SPACER :NO.2 :T0.5-2	51020009@000	
4	HOLDER :TENSION PULLEY	0F0120010000	
5	STRAIGHT PIN :NO.1 :12MM DIA.	503101110000	
6	STRAIGHT PIN :NO.1 :14MM DIA.	503101070010	
7	BASE :TENSION PULLEY	0F0120130000	
8	COLLAR :NO.1 :12MM DIA.	502512030000	
9	TIMING PULLEY :W35-16[S]	501470050S10	
10	STRAIGHT PIN :NO.4 :12MM DIA.	503104040000	
11	LINEAR BASE :Y300-1200	0F016003@000	
12	STUD :NO.4 :M5-7	505405010010	
13	LINEAR WAY	660100@@0000	Y-axis Drive System
14	BEARING COLLAR :15MM DIA.	502715080000	
15	BEARING CASE :NO.5 :L :17MM DIA.[S]	50851706LS00	
16	BEARING CASE :NO.5 :L	50851706L000	
17	BEARING :6003ZZ	630200080000	
18	BEARING CASE :NO.5 :R :17MM DIA.[S]	50851706RS00	
19	BEARING CASE :NO.5 :R	50851706R000	
20	TIMING PULLEY :W35-16	501G70010000	
21	Y SHAFT :15MM DIA.	QUB@030@0000	
22	TIGHTENING JOINT :12MM DIA.	504312010010	
23	BRACKET :Y MOTOR	0F0310040010	
24	SPACER :NO.4 :T0.5-2	51040009@000	
25	PULSE MOTOR :86MM DIA. :WITH SENSOR[A]	0J6106700A20	
26			
27			
28			
29			
30			
31			
32			
33			
34			
35			
36			
37			
38			
39			
40			
41			
42			
43			
44			
45			
46			
47			
48			
49			
50			

Note: As for parts with mark @, please follow our instructions on Table of Contents in your parts order.

(XL07)

Y-AXIS DRIVE SYSTEM 2B (4 PAIRED HEAD)



# Y-AXIS DRIVE SYSTEM 2B (4 PAIRED HEAD)

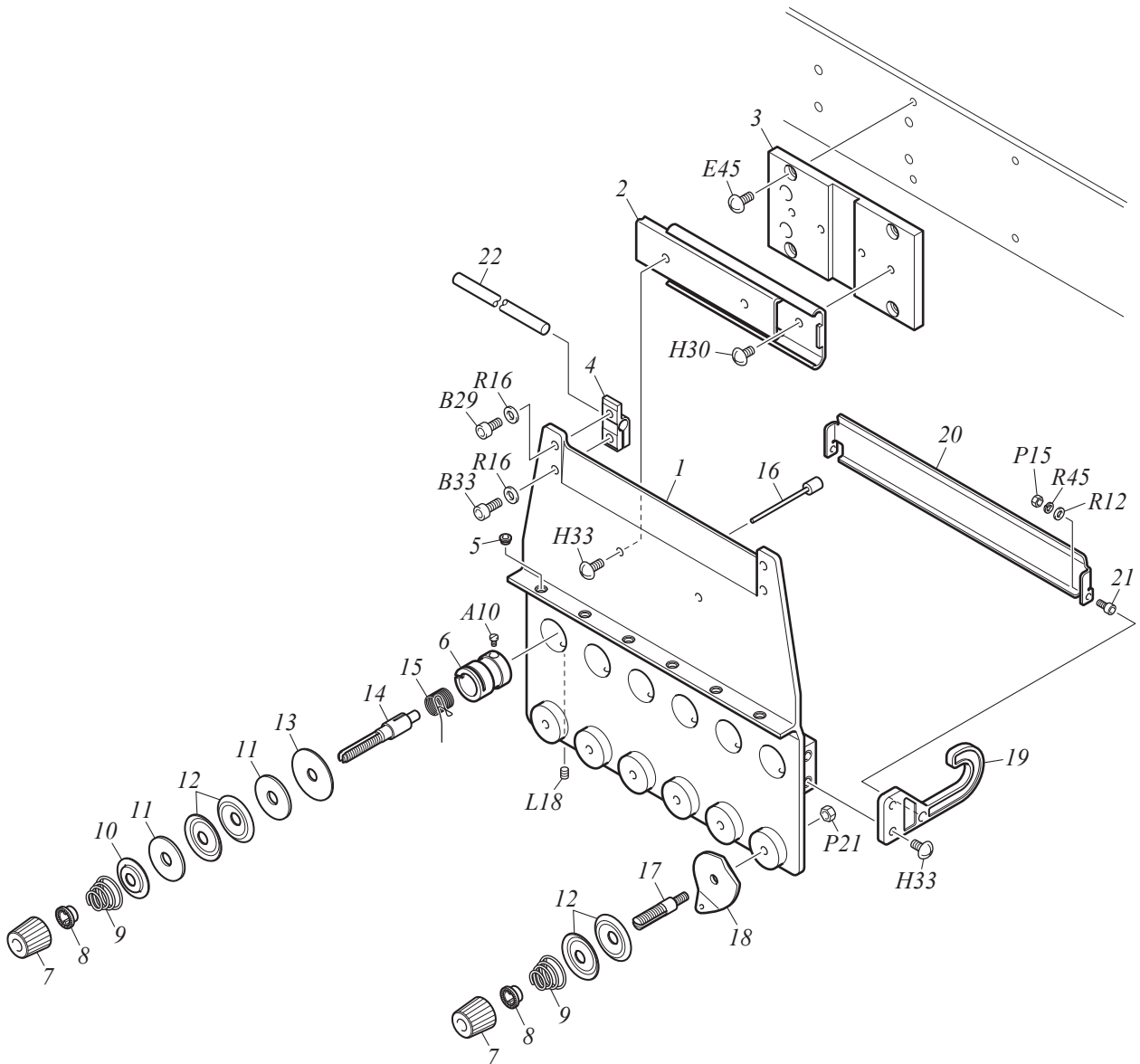
X5-13-2b

No.	Part Name	Part No.	Remark
1	Y-DRIVE BASE :NO.1 :Y360-	16011019@000	
2	Y-DRIVE BASE :NO.2 :Y360-	16021017@000	
3	SPACER :NO.2 :T0.5-2	51020009@000	
4	HOLDER :TENSION PULLEY	0F0120010000	
5	STRAIGHT PIN :NO.1 :12MM DIA.	503101110000	
6	STRAIGHT PIN :NO.1 :14MM DIA.	503101070010	
7	BASE :TENSION PULLEY	0F0120130000	
8	COLLAR :NO.1 :12MM DIA.	502512030000	
9	TIMING PULLEY :W35-16[S]	501470050S10	
10	STRAIGHT PIN :NO.4 :12MM DIA.	503104040000	
11	LINEAR BASE :Y300-1200	0F016003@000	
12	STUD :NO.4 :M5-7	505405010010	
13	LINEAR WAY	660100@@0000	Y-axis Drive System
14	BEARING COLLAR :15MM DIA.	502715080000	
15	BEARING CASE :NO.5 :L :17MM DIA.[S]	50851706LS00	
16	BEARING CASE :NO.5 :L	50851706L000	
17	BEARING :6003ZZ	630200080000	
18	BEARING CASE :NO.5 :R :17MM DIA.[S]	50851706RS00	
19	BEARING CASE :NO.5 :R	50851706R000	
20	TIMING PULLEY :W35-16	501G70010000	
21	Y SHAFT :15MM DIA.	QUB@030@0000	
22	TIGHTENING COUPLING :15MM DIA.	504315010000	
23	BRACKET :X MOTOR	0F0320030010	
24	SPACER :NO.4 :T0.5-2	51040007@000	
25	PULSE MOTOR :106MM DIA. :WITH SENSOR[A]	0J6105700A20	
26	BASE :RAIL :A :Y300-/135.4P[S]	0F311001@S00	
27	COUNTERSUNK TAPPING SCREW :4P*20	S550042001SD	
28	LINEAR WAY	660100@@0000	Y-AXIS Drive System (Front Rail)
29	BASE :ROLLER HOLDER[A]	0F3290150A00	
30	ROLLER :6*15*25	515106010000	
31	STRAIGHT PIN :NO.1 :6MM DIA.	503101310010	
32	HOLDER :ROLLER	0F3290100000	
33	BASE :ROLLER HOLDER	0F3290150000	
34			
35			
36			
37			
38			
39			
40			
41			
42			
43			
44			
45			
46			
47			
48			
49			
50			

Note: As for parts with mark @, please follow our instructions on Table of Contents in your parts order.

(XL07)

TENSION BASE (CM)





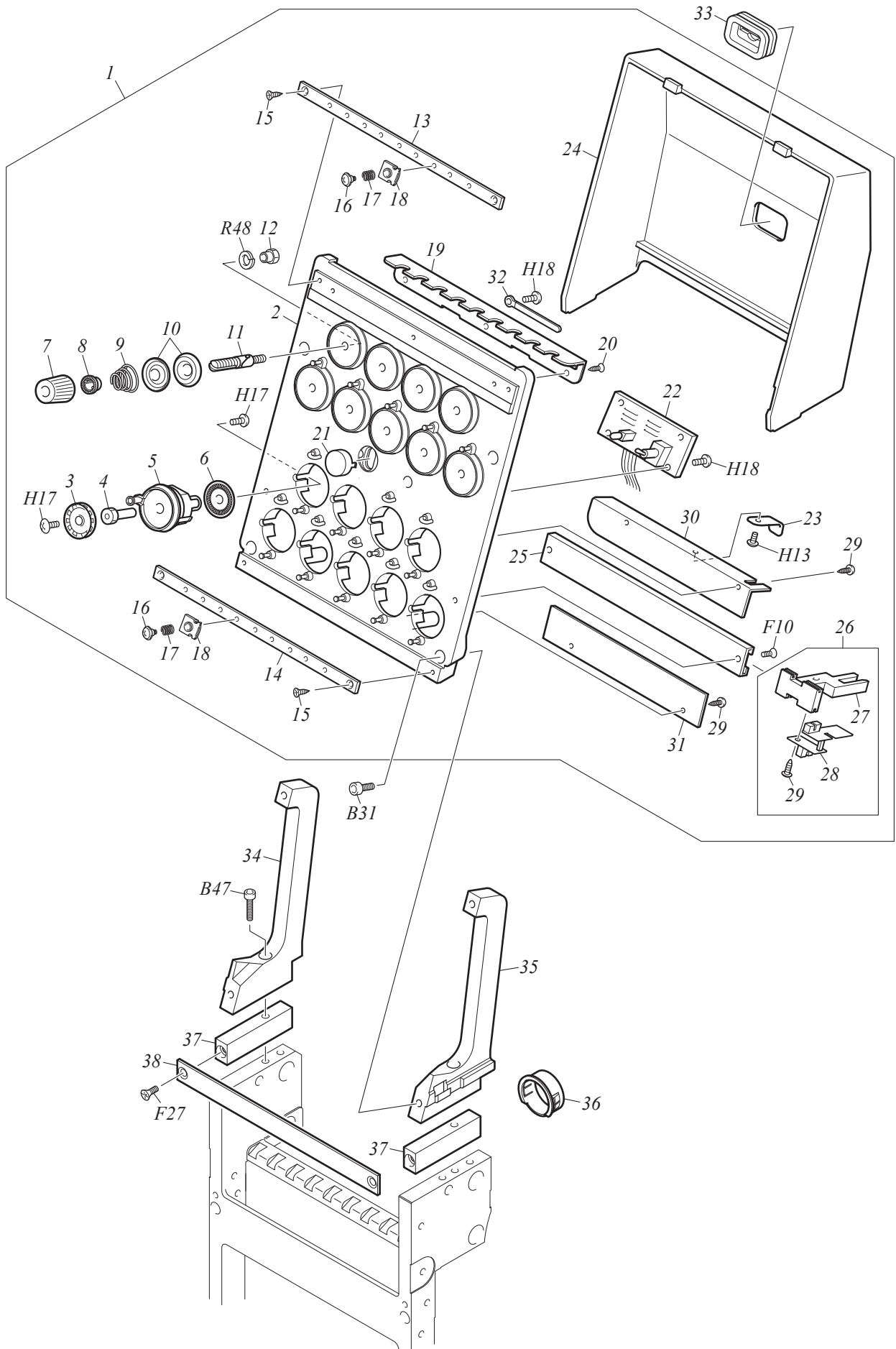
# TENSION BASE (CM)

X5-14

No.	Part Name	Part No.	Remark
1	TENSION BASE :CE :06-NEEDLE	0C0430090010	
2	SLIDE UNIT :CE TENSION BASE	0C0430040000	
3	BASE :CE TENSION BASE SLIDE UNIT	0C0410110000	
4	BRACKET :CHANGE ROD	0C0430120000	
5	THREAD GUIDE COLLAR :1.8MM DIA.	516503010010	
6	BASE :THREAD TENSION STUD	0C0430140000	
7	KNOB :THREAD TENSION :A	0C0220150000	
8	SPRING HOOK	0C0220080000	
9	TAPER SPRING :0.7MM DIA.	507707010000	
10	83 DISK PRESSER	616100010000	
11	FELT PACKING	0C0220040000	
12	TENSION DISK	0C0220120000	
13	INSULATION DISK	0C0220090000	
14	TENSION STUD :A	0C0430050000	
15	TORSION SPRING :0.5MM DIA.	507305010010	
16	TENSION RELEASE PIN :NO.1 :L45.5[S]	0C0220101S00	
17	THREAD TENSION STUD	0C0210030010	
18	THREAD TENSION GUIDE	0C0220110000	
19	HOLDER :TENSION RELEASE PLATE	0C0430100000	
20	TENSION RELEASE PLATE :06-NEEDLE	0C0430110000	
21	SCREW WITH PIN :NO.1 :M3-3	513103040000	
22	CHANGE ROD :CE:6MM DIA.	QUB@C20@0000	
23			
24			
25			
26			
27			
28			
29			
30			
31			
32			
33			
34			
35			
36			
37			
38			
39			
40			
41			
42			
43			
44			
45			
46			
47			
48			
49			
50			

Note: As for parts with mark @, please follow our instructions on Table of Contents in your parts order.

(XL07)



# TENSION BASE

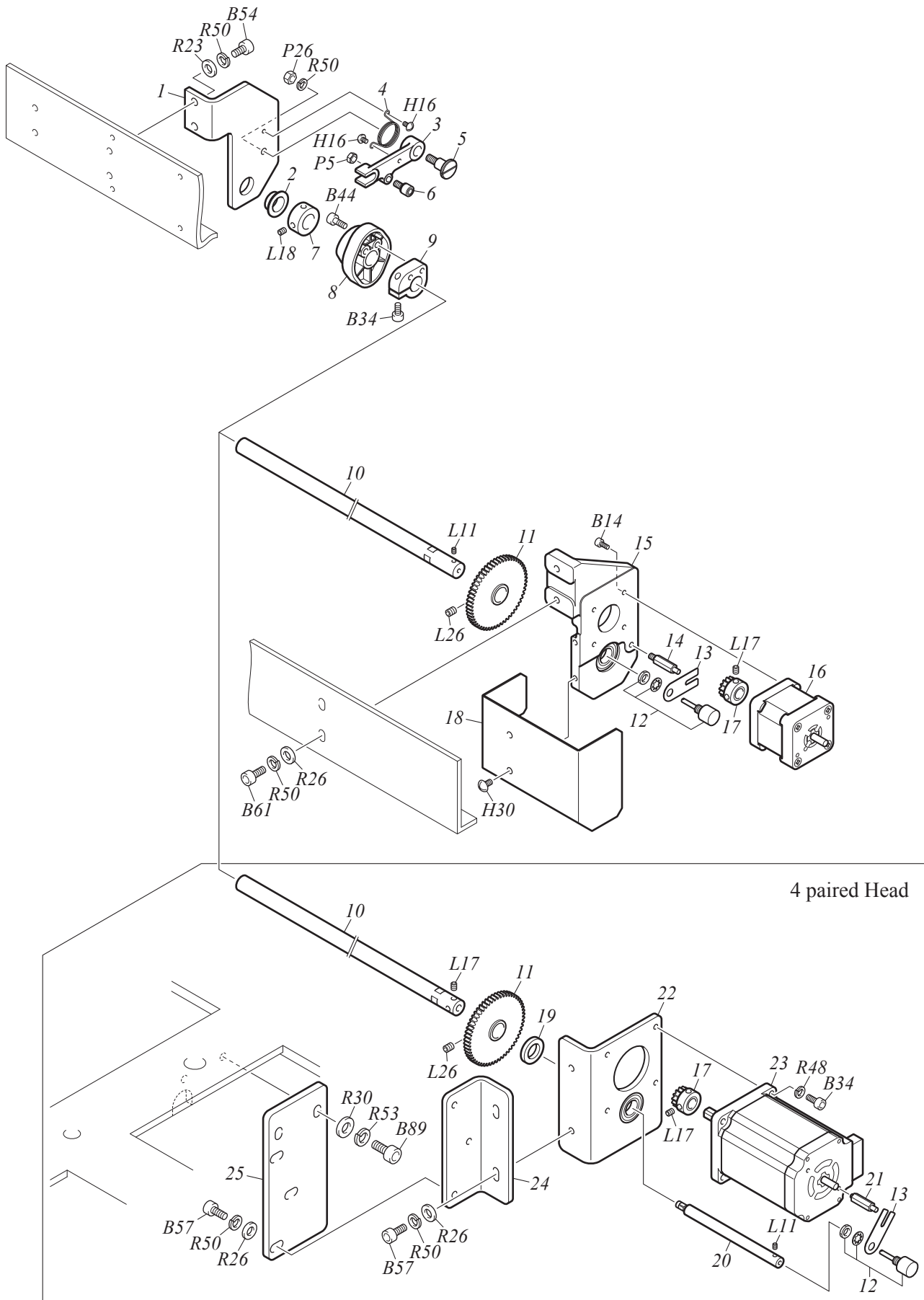
X5-15

No.	Part Name	Part No.	Remark
1	TENSION BASE :ROTARY :TFMX :GUARD B	UC29@0000140	
2	TENSION BASE :ROTARY[S]	0C012002@S60	
3	ROTARY TENSION DISK	0C0230120010	
4	SHAFT :ROTARY TENSION DISK	0C0230130030	
5	BASE :ROTARY TENSION DISK[S]	0C0230190S20	
6	SLIT PLATE :ROTARY DISK :50	0J4203800000	
7	KNOB :THREAD TENSION :A	0C0220150000	
8	SPRING HOOK	0C0220080000	
9	TAPER SPRING :0.6MM DIA.	507706010000	
10	TENSION DISK	0C0210060000	
11	THREAD TENSION STUD :WITH GROOVE	0C0210040000	
12	SCREW BUSHING :NO.2 :M4	509804050000	
13	BASE :THREAD PRESSER :U :09-NEEDLE	0C0220339000	
13	BASE :THREAD PRESSER :U :12-NEEDLE	0C022035Y000	
14	BASE :THREAD PRESSER :D :09-NEEDLE	0C0220349000	
14	BASE :THREAD PRESSER :D :12-NEEDLE	0C022036Y000	
15	COUNTERSUNK TAPPING SCREW :3P*10	S550031001SD	
16	TRUSS HEAD SCREW :STEPPED :M3*4*2	S132030401TD	
17	COMPRESSION SPRING :0.2MM DIA.	507602010000	
18	THREAD PRESSER	0C0220400000	
19	UPPER THREAD GUIDE :TENSION BASE	0C022017@020	
20	COUNTERSUNK TAPPING SCREW :3P*8	S550030801SD	
21	LAMP COVER :TENSION BASE	0C0250050000	
22	CARD :TENSION BASE	0J2601900030	
23	PLATE SPRING :T0.3	507803050000	
24	COVER :TENSION BASE	0C015002@000	
25	RAIL :THREAD BREAKAGE SENSOR	0C023014@000	
26	TC SENSOR[A]	0J2602300A20	
27	BRACKET :TC SENSOR CARD	0C0230220010	
28	CARD :TC SENSOR	0J2602100010	
29	TRUSS HEAD TAPPING SCREW :3P*6	S530030601SD	
30	DISK GUARD :A	0C023020@010	
31	DISK GUARD :B	0C023016@000	
32	COATED CLIP :5	644500150000	
33	GROMMET	0C0250090010	
34	BRACKET :TENSION BASE :L[S]	0C024005LS00	
35	BRACKET :TENSION BASE :R[S]	0C024005RS10	
36	BUSHING :HARNESS	0J1501100020	
37	BASE :TENSION BASE BRACKET	0C0240060000	
38	TOP COVER :UPPER	09052002@000	
39			
40			
41			
42			
43			
44			
45			
46			
47			
48			

Note: As for parts with mark @, please follow our instructions on Table of Contents in your parts order.

(XL07)

TENSION RELEASE



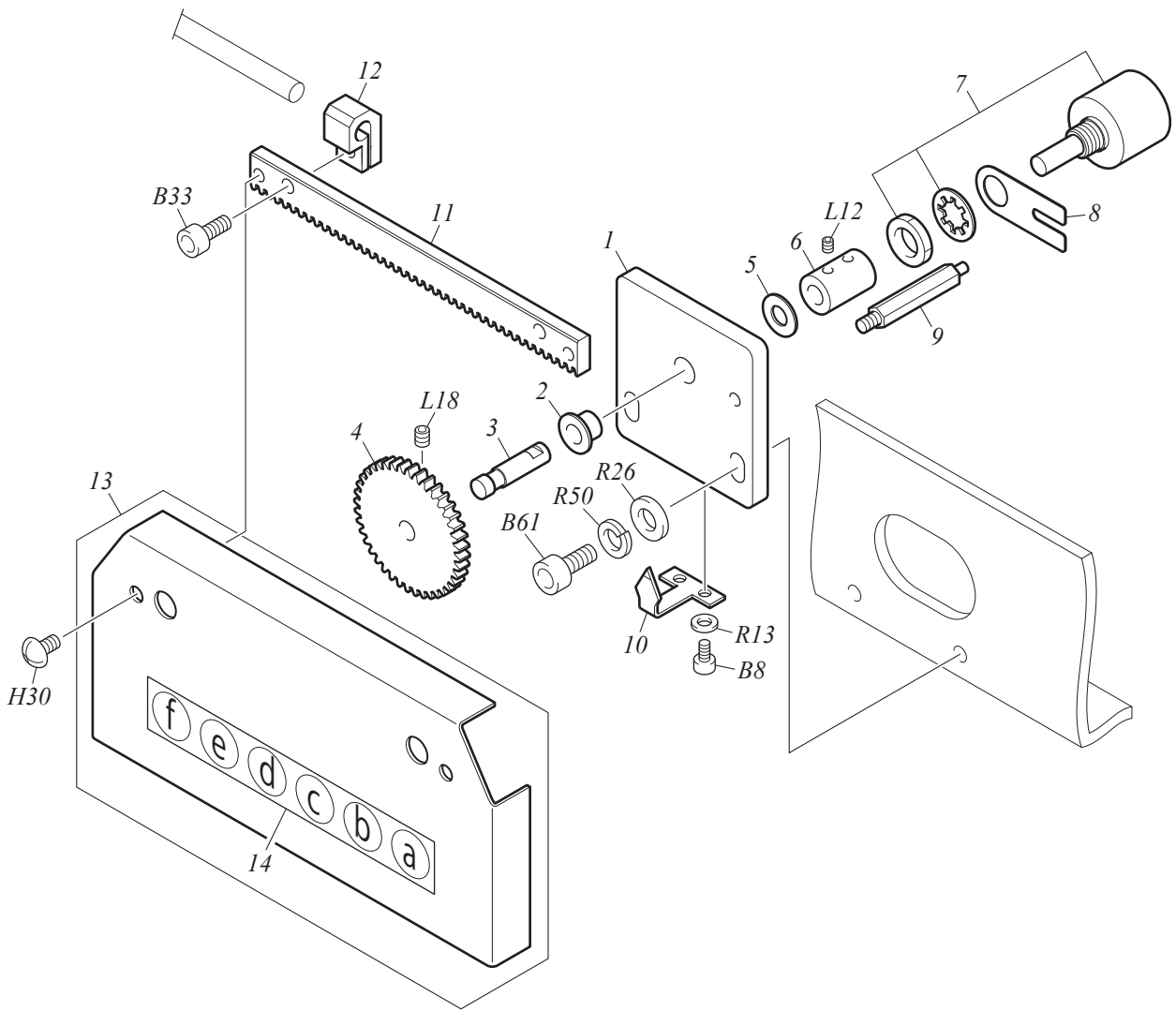
# TENSION RELEASE

X5-16

No.	Part Name	Part No.	Remark
1	BASE :TENSION RELEASE LEVER	0C0410010000	
2	OIL-BUSHING :NO.2 :MB0206-20FDU	638100240000	
3	LEVER :TENSION RELEASE	0C0410090000	
4	TORSION SPRING :0.8MM DIA.	507308020010	
5	STEPPED SCREW :M5*20	512105070000	
6	SCREW WITH ROLLER PIN :NO.1 :11/64[S]	514154020S00	
7	STOPPER COLLAR :12MM DIA.	502112050000	Last Head
8	CAM :TENSION RELEASE	0C0410120000	
9	TIGHTENING COLLAR :12MM DIA.	502212010000	
10	TENSION RELEASE SHAFT :12MM DIA.	QUB@060@@000	
11	SPUR GEAR :56T	506156010000	
12	POTENTIOMETER	640900030001	
13	BRACKET :POTENTIOMETER	0C0410130010	
14	STUD :NO.4 :M4-23	505404010020	
15	BASE :TENSION RELEASE MOTOR[S]	0C041014@S10	
16	PULSE MOTOR :42MM SQUARE :DOUBLE-END	0J6106200000	
17	SPUR GEAR :14T[S]	506114050S10	
18	COVER :TENSION RELEASE MOTOR	0C0410150000	
19	COLLAR :NO.1 :12MM DIA.	502512020010	
20	SHAFT :TENSION RELEASE	0C0410240000	
21	STUD :NO.4 :M3-18	505403030010	
22	BASE :TENSION RELEASE :A[S]	0C0410260S00	
23	PULSE MOTOR :60MM SQUARE :DOUBLE-END	0J6105900000	
24	BASE :TENSION RELEASE :B	0C0410270000	
25	BASE :TENSION RELEASE :C	0C0410280000	
26			
27			
28			
29			
30			
31			
32			
33			
34			
35			
36			
37			
38			
39			
40			
41			
42			
43			
44			
45			
46			
47			
48			
49			
50			

Note: As for parts with mark @, please follow our instructions on Table of Contents in your parts order.

(XL07)



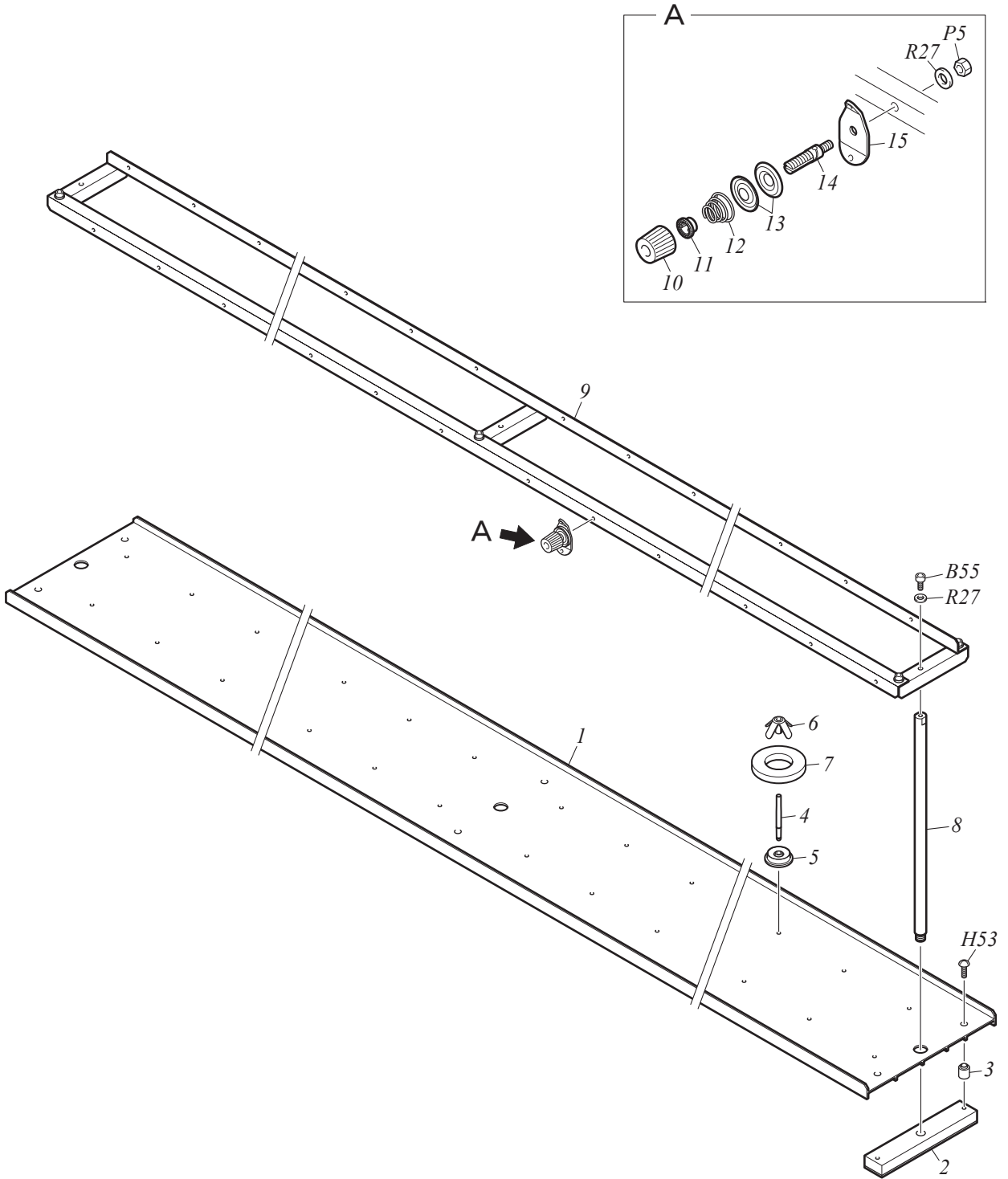
# COLOR CHANGE SENSOR

X5-17

No.	Part Name	Part No.	Remark
1	BASE :COLOR CHANGE SENSOR	0C0420070000	
2	OIL-BUSHING :NO.2 :MB0606-12FDU	638100080000	
3	STRAIGHT PIN :NO.2 :6MM DIA.	503102040010	
4	SPUR GEAR :40T	506140040000	
5	RULON WASHER :TW-0613	638400070000	
6	STOPPER JOINT :6MM DIA.	504106010010	
7	POTENTIOMETER	640900040001	
8	BRACKET :POTENTIOMETER	0C0420020010	
9	STUD :NO.4 :M4-35	505404020020	
10	POINTER :COLOR CHANGE SENSOR	0C0420050010	
11	RACK :COLOR CHANGE SENSOR	506A42010000	
12	BRACKET :CHANGE ROD	0C0420060000	
13	COVER :CHANGE GEAR[S]	0C0420010S10	
14	LABEL :COLOR CHANGE INDICATOR	0P1400010010	
15			
16			
17			
18			
19			
20			
21			
22			
23			
24			
25			
26			
27			
28			
29			
30			
31			
32			
33			
34			
35			
36			
37			
38			
39			
40			
41			
42			
43			
44			
45			
46			
47			
48			
49			
50			

Note: As for parts with mark @, please follow our instructions on Table of Contents in your parts order.

(XL07)





# THREAD STAND (CM)

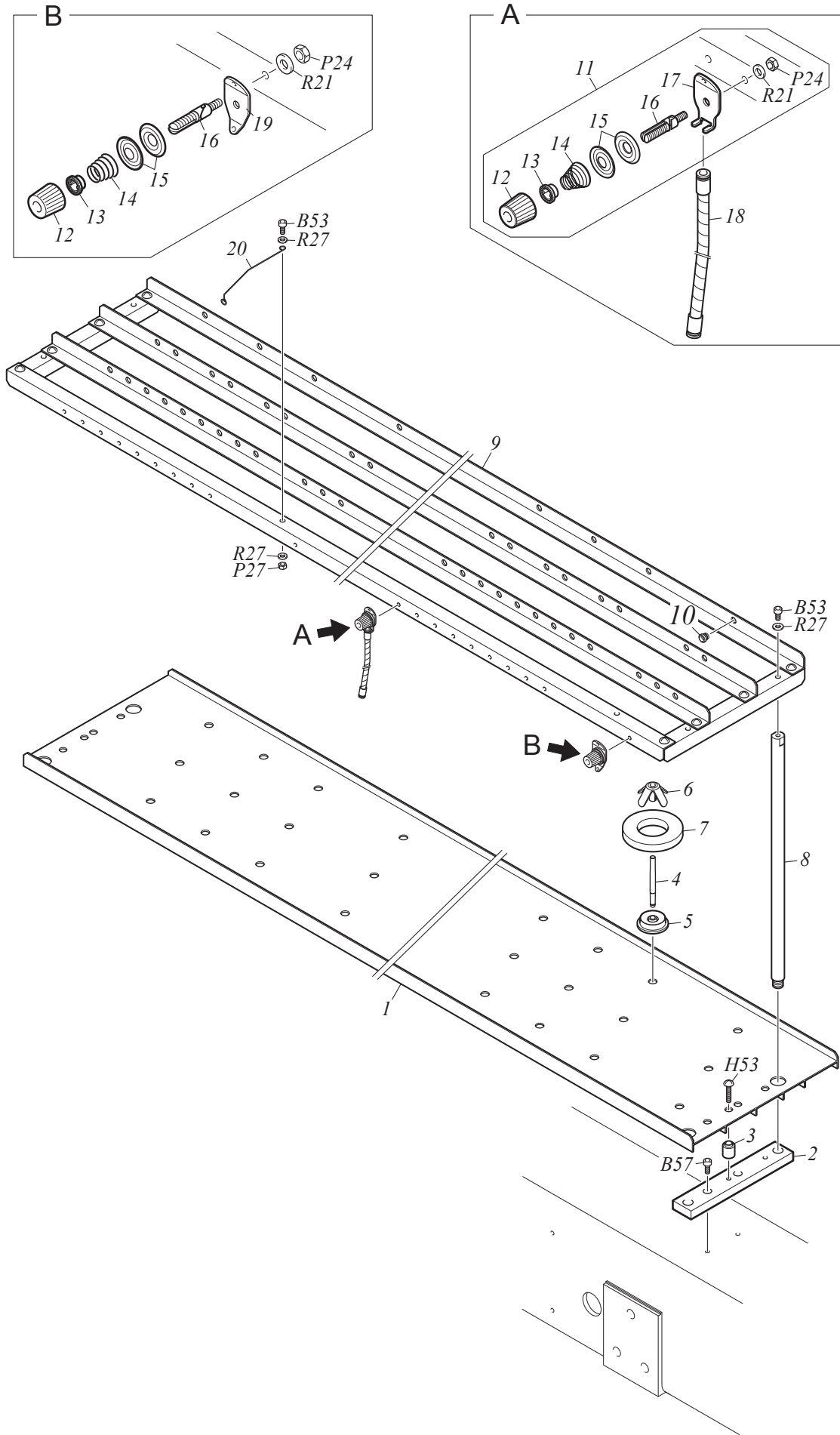
X5-18

No.	Part Name	Part No.	Remark
1	THREAD STAND PLATE :LOWER[A]	1DB@@@010A20	
2	BASE :THREAD STAND PLATE[S]	0D0110140S10	
3	COLLAR :NO.2 :7MM DIA.	502607010010	
4	THREAD STAND STUD	0D0110410000	
5	BASE :THREAD STAND STUD	0D0110420000	
6	THREAD STAND BLADE	0D0110010010	
7	THREAD STAND RING :T10	0D0110022010	
8	THREAD COURSE SUPPORT BAR :L345	0D0210313010	
9	THREAD COURSE :LOWER[A]	1EC@@@010A20	
10	KNOB :THREAD TENSION :A	0C0220150000	
11	SPRING HOOK	0C0220080000	
12	TAPER SPRING :0.7MM DIA.	507707010000	
13	TENSION DISK	0C0220160010	
14	THREAD TENSION STUD :WITH GROOVE	0C0210040000	
15	THREAD TENSION GUIDE	0D0210390000	
16			
17			
18			
19			
20			
21			
22			
23			
24			
25			
26			
27			
28			
29			
30			
31			
32			
33			
34			
35			
36			
37			
38			
39			
40			
41			
42			
43			
44			
45			
46			
47			
48			
49			
50			

Note: As for parts with mark @, please follow our instructions on Table of Contents in your parts order.

(XL07)

THREAD STAND



# THREAD STAND

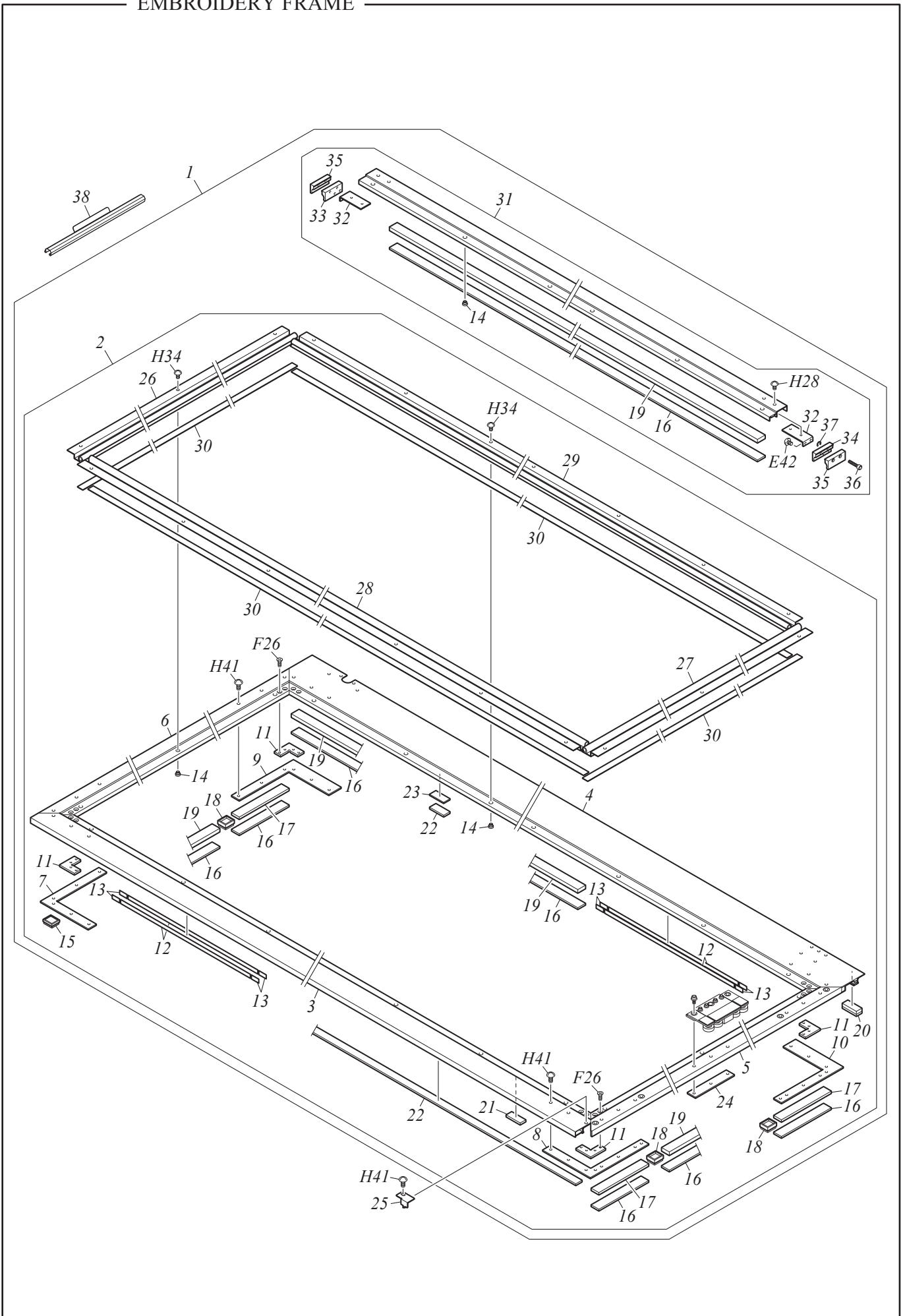
X5-19

No.	Part Name	Part No.	Remark
1	THREAD STAND PLATE[A]	1DD@@@010A10	
2	BASE :THREAD STAND PLATE	0D0110600000	
3	COLLAR :NO.2 :7MM DIA.	502607010010	
4	THREAD STAND STUD	0D0110410000	
5	BASE :THREAD STAND STUD	0D0110420000	
6	THREAD STAND BLADE	0D0110010010	
7	THREAD STAND RING :T10	0D0110022010	
8	THREAD COURSE SUPPORT BAR :L345	0D0210313010	
9	THREAD COURSE[A]	1EF@@@010A10	
10	THREAD GUIDE COLLAR :BLACK :4.5MM DIA.	516501012010	Black
10	THREAD GUIDE COLLAR :RED :4.5MM DIA.	516501011010	Red
11	THREAD TENSION :TUBE :B	UD1100000200	
12	KNOB :THREAD TENSION :A	0C0220150000	
13	SPRING HOOK	0C0220080000	
14	TAPER SPRING :0.6MM DIA.	507706010000	
15	TENSION DISK	0C0220160010	
16	THREAD TENSION STUD :WITH GROOVE	0C0210040000	
17	THREAD TENSION GUIDE :TUBE	0D0210150030	
18	SPIRAL TUBE[A]	0D021005@A00	
19	THREAD TENSION GUIDE	0D0210390000	
20	THREAD COURSE :CORE THREAD	0L1320140010	
21			
22			
23			
24			
25			
26			
27			
28			
29			
30			
31			
32			
33			
34			
35			
36			
37			
38			
39			
40			
41			
42			
43			
44			
45			
46			
47			
48			
49			

Note: As for parts with mark @, please follow our instructions on Table of Contents in your parts order.

(XL07)

EMBROIDERY FRAME



# EMBROIDERY FRAME

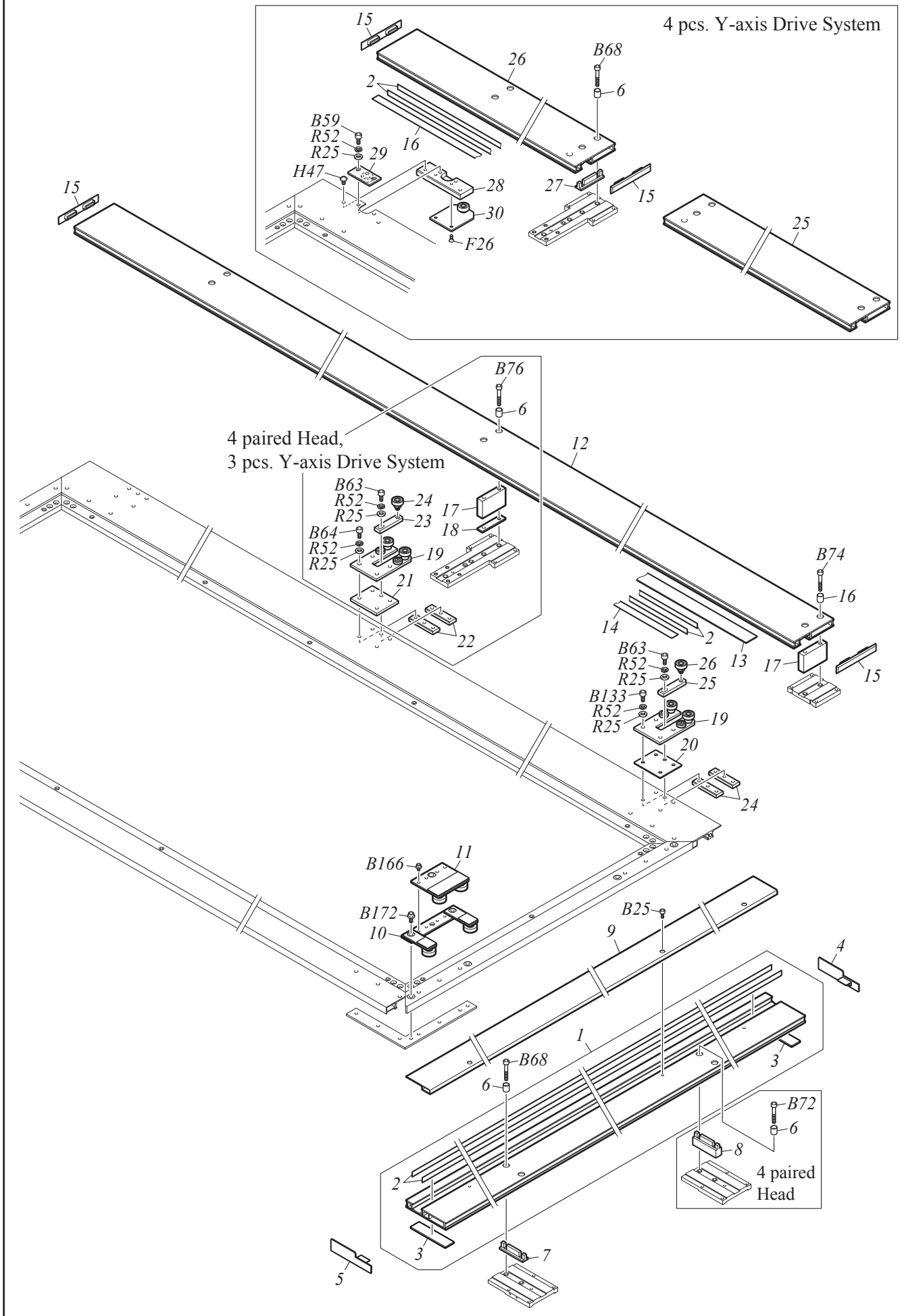
X5-20

No.	Part Name	Part No.	Remark
1	BORDER FRAME[T]	30A@@@@@T00	
2	BORDER FRAME[A]	30A@@@@@A00	
3	BASE SASH :FRONT	0G151@@@0000	
4	BASE SASH :REAR	0G152@@@0000	
5	BASE SASH :R	0G153@@@0000	
6	BASE SASH :L	0G154@@@0000	
7	CORNER :BORDER FRAME :FRONT L	0G0220200000	
8	CORNER :BORDER FRAME :FRONT R	0G0220460000	
9	CORNER :BORDER FRAME :REAR L	0G0220220000	
10	CORNER :BORDER FRAME :REAR R	0G0220470000	
11	CORNER	0G0220060000	
12	RAIL PLATE :0.5*10	518102@@@0000	
13	MISALIGNMENT-PREVENTIVE PLATE :0.5*10*30	518103020000	
14	SCREW BUSHING :STRAIGHT KNURL :M4*0.75	0G0260040000	
15	CORK :CORNER :T10.3[S]	0G0230120S00	
16	FELT :22*4.5*980	0G0240140000	
17	SPACER :23*6*1000	0G0240150000	
18	CORK :T13.5[S]	0G0230020S20	
19	SPACER :23*9*1000	0G0240160000	
20	BASE :CORK[S]	0G0230130S10	
21	CORK	0G0230130100	
22	FELT :18*4.5*980	0G0240170000	
23	SPACER :18*3*1000	0G0240180000	
24	FIXING PLATE :BEARING BRACKET	0G0280190000	Y: 1500mm or more
25	POINTER :EMBROIDERY FRAME	0G0270020000	
26	BORDER FRAME LENGTHWISE SASH :L :Y450-	0G113006@010	
27	BORDER FRAME LENGTHWISE SASH :R :Y450-	0G111006@010	
28	BORDER FRAME SASH :FRONT	0G121005@010	
29	BORDER FRAME SASH :REAR	0G122005@000	
30	FELT :15*1.3*1000[S]	0G0240200S00	
31	MIDDLE SASH[A]	30A@@@@@CA00	
32	BRACKET :MIDDLE SASH CLAMP	0G0320030000	
33	CLAMP :MIDDLE SASH :A :L	0G032013L000	
34	CLAMP :MIDDLE SASH :A :R	0G032013R000	
35	CLAMP :MIDDLE SASH :B	0G0320140000	
36	HEXAGON SOCKET HEAD CAP SCREW :STOPPER :M4*20L	511904020000	
37	E-RING :3MM DIA.	611100060000	
38	BORDER FRAME CLIP :BFF8 :L100-300[S]	0G052021@S00	
39			
40			
41			
42			
43			
44			
45			
46			
47			
48			
49			
50			

Note: As for parts with mark @, please follow our instructions on Table of Contents in your parts order.

(YK06)

Z-SPEC. FRAME DRIVE SYSTEM



# Z-SPEC. FRAME DRIVE SYSTEM

X5-21

No.	Part Name	Part No.	Remark
1	XZ SASH :Y300-1600[S]	36110124@S00	
2	RAIL PLATE :0.5*10	518102@@0000	
3	FELT :Z-SPEC. FRAME SASH :20*3*80	0G0140100000	
4	COVER :XZ SASH :L[S]	0G012009LS00	
5	COVER :XZ SASH :R[S]	0G012009RS00	
6	HOLDER BUSHING :M5	509905010010	
7	SPACER :Z-SPEC. FRAME SASH	0G0110190000	
8	SPACER :Z-SPEC. FRAME SASH :B	0G0110200000	
9	COVER :XZ SASH :UPPER	0G012010@000	
10	BRACKET :BEARING :UPPER[S]	0G0280200S00	
11	BRACKET :BEARING :LOWER[S]	0G0280210S00	
12	YZ SASH[S]	372@@@010S10	
13	FELT :25*2*1000[S]	0G0240240S00	
14	RESIN TAPE :15*30M	610400050000	
15	COVER :Z-SPEC. FRAME SASH	0G0120040010	
16	HOLDER BUSHING :M5	509905020000	
17	SPACER :Z-SPEC. FRAME SASH :B	0F0150070010	
18	SPACER :Z-SPEC. FRAME SASH :F	0F015007F010	
19	BRACKET :BEARING[S]	0G0280080S10	
20	SPACER :BEARING BRACKET :B	0G0250170000	
21	SPACER :BEARING BRACKET	0G0250160000	
22	PLATE NUT	0G0280060000	
23	BRACKET :BEARING	0F0150060000	
24	SCREW WITH ROLLER PIN :NO.1 :M6[S]	514106180S00	
25	YZ SASH :R[S]	382@@@010S10	
26	YZ SASH :L[S]	392@@@010S00	
27	SPACER :Z-SPEC. FRAME SASH	0G0110030000	
28	BEARING BASE	0G0280070000	
29	BRACKET :BEARING :UPPER[S]	0G0280140S10	
30	BRACKET :BEARING :LOWER[S]	0G0280100S20	
31			
32			
33			
34			
35			
36			
37			
38			
39			
40			
41			
42			
43			
44			
45			
46			
47			
48			
49			
50			

Note: As for parts with mark @, please follow our instructions on Table of Contents in your parts order.

(XL07)

BAR SWITCH BOX

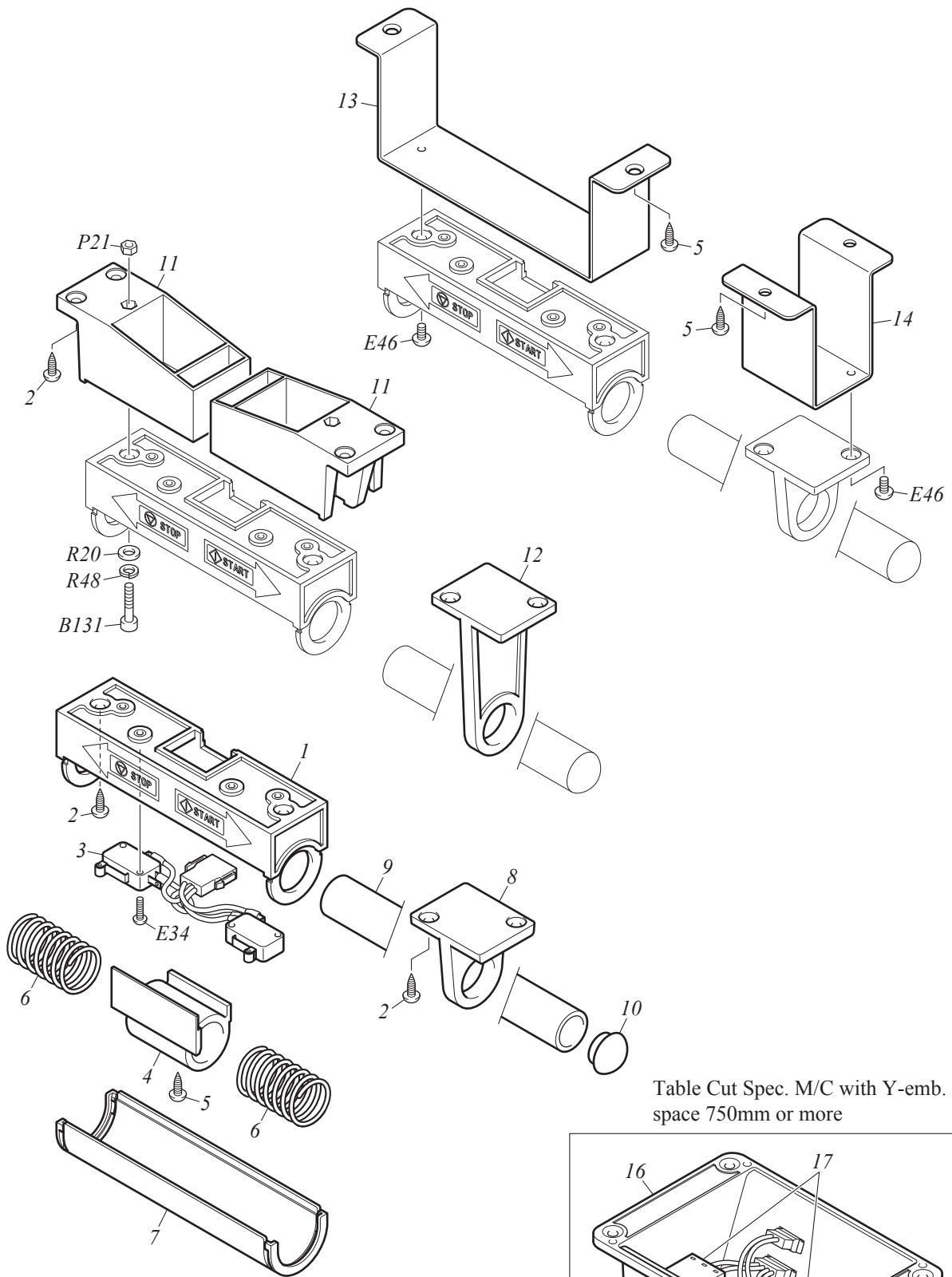
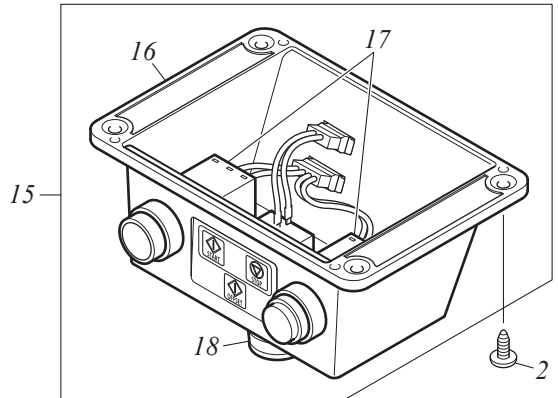


Table Cut Spec. M/C with Y-emb.  
space 750mm or more





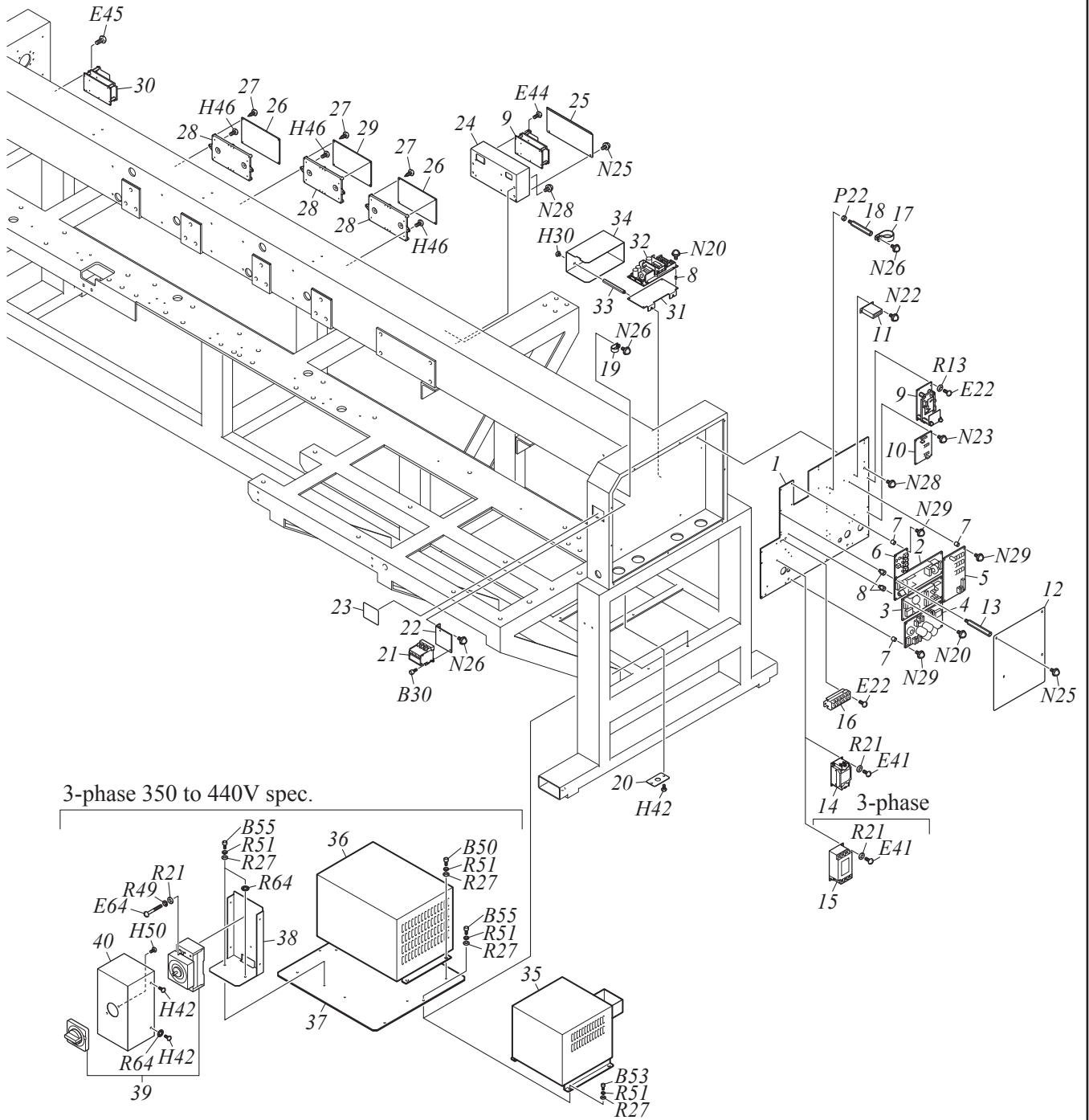
# BAR SWITCH BOX

X5-22

No.	Part Name	Part No.	Remark
1	BOX :BAR SWITCH	030240091020	
2	TRUSS HEAD TAPPING SCREW :4P*20	S530042001SD	
3	SWITCH :START/STOP :BAR SWITCH[A]	0J0520200A10	
4	SENSOR PLATE :NO.1	030240110010	
5	TRUSS HEAD TAPPING SCREW :4P*16	S530041601SD	
6	COMPRESSION SPRING :1.8MM DIA.	507618010000	
7	COVER :BAR SWITCH BOX	030240100000	
8	HOLDER :SWITCH BAR	030240050020	
9	SWITCH BAR	030240010000	
10	SIDE COVER	030240030000	
11	BRACKET :BAR SWITCH BOX	030240150010	Table Cut C-3
12	HOLDER :SWITCH BAR	030240060010	Table Cut C-3
13	BRACKET :BAR SWITCH BOX	030240210000	Table Cut (Excluding C-3)
14	BRACKET :SWITCH BAR HOLDER	0L0340040000	Table Cut (Excluding C-3)
15	SWITCH BOX :START/STOP/OFFSET[A]	0J0601400A30	
16	SWITCH BOX :START/STOP/OFFSET	030240180010	
17	SWITCH :START/STOP[A]	0J0603100A00	
18	SWITCH :TABLE OFFSET[A]	0J0603200A00	
19			
20			
21			
22			
23			
24			
25			
26			
27			
28			
29			
30			
31			
32			
33			
34			
35			
36			
37			
38			
39			
40			
41			
42			
43			
44			
45			
46			
47			
48			
49			
50			

Note: As for parts with mark @, please follow our instructions on Table of Contents in your parts order.

(XL07)



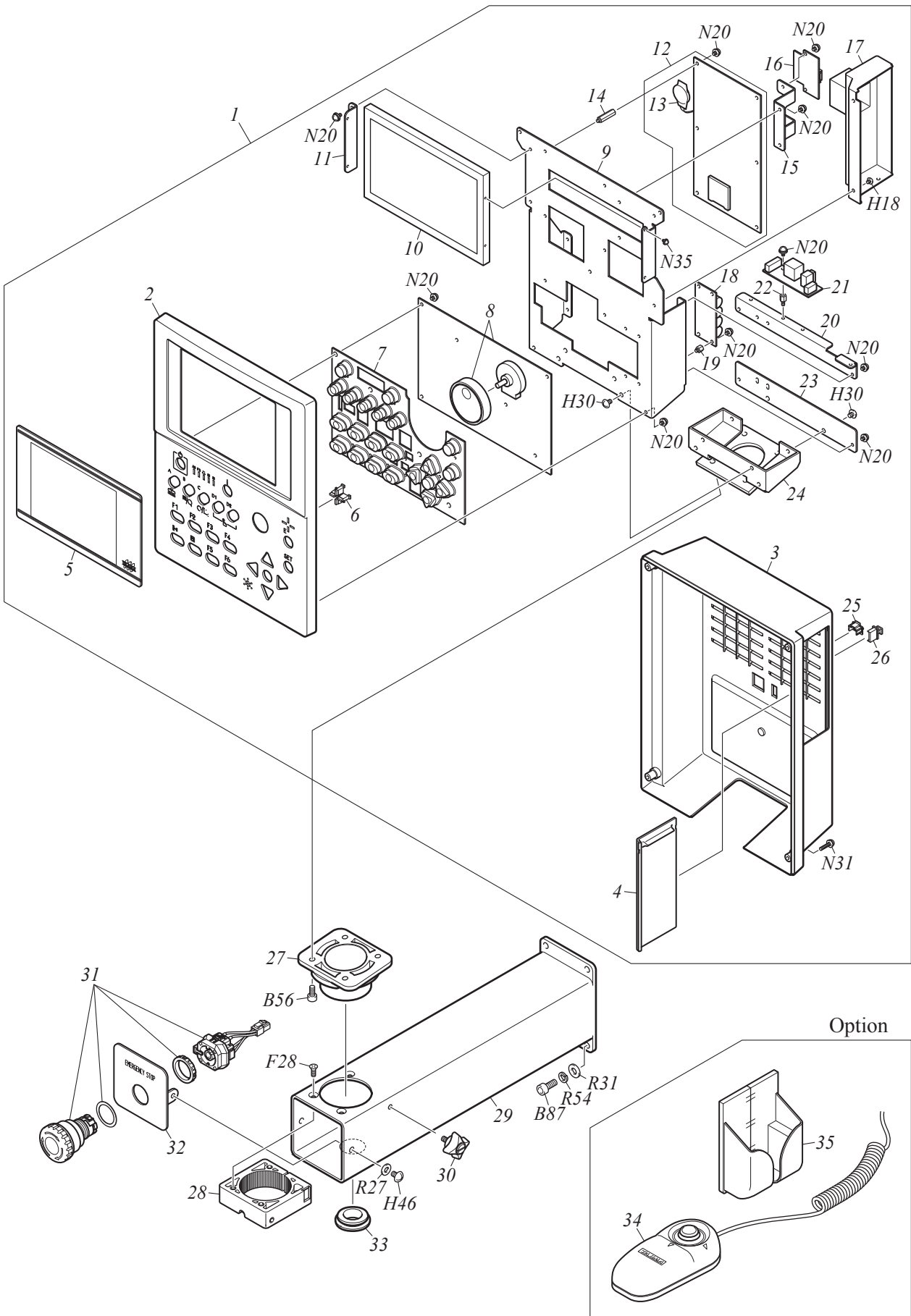
# ELECTRICAL PARTS

X5-23

No.	Part Name	Part No.	Remark
1	BASE :CARD	030190340060	
2	DC POWER SUPPLY :24V :240W	645300220011	
3	DC POWER SUPPLY :5V +/-12V	645300030000	
4	CARD :POWER SUPPLY :SINGLE-PHASE	0J2101601030	
4	CARD :POWER SUPPLY :3-PHASE	0J2101600040	
5	CARD :MACHINE :P3	0J2503400020	
6	CARD :USB HUB	0J2503700000	
7	ONE-TOUCH COLLAR :TA-310	644500690000	
8	SPACER :HEXAGON :L10 :M3	644501330000	
9	XY-AXIS DRIVER :X13-C[A]	0J0303500A20	
10	CARD :EXTENSION MACHINE	0J2502400020	
11	COUNTER :ELECTRO-MAGNETIC	0J4500200010	
12	COVER :POWER SUPPLY	0J5101100010	
13	STUD :NO.1 :M3-47.9	505103020000	
14	NOISE FILTER :SINGLE-PHASE	641400140000	
15	NOISE FILTER :3-PHASE	641400200000	
16	TERMINAL BASE :9P	643400080011	
17	NYLON CLAMP :18N	644500170000	
18	STUD :NO.1 :M4-30	644501630000	
19	NYLON CLAMP :07N	644500190000	
20	HOLDER HARNESS :A	03014003A010	
21	CIRCUIT PROTECTOR :3-PHASE 10A	646100090010	Excluding 3-phase 350 to 440V
22	BRACKET :BREAKER :B	03013013B000	
23	BOX STICK-ON PLATE	03079008@000	3-phase 350 to 440V
24	BOX :Y DRIVER	03019025A000	
25	COVER :Y DRIVER	03019026@000	
26	CARD :HEAD :A	0J2702501050	
27	TRUSS HEAD TAPPING SCREW :3P*8	S530030801SD	
28	BRACKET :HEAD CARD	0J1941800000	
29	CARD :HEAD :S5B	0J2703300040	
30	MAIN SHAFT DRIVER :X13-B :400[A]	0J0303400A10	
31	BRACKET :DC POWER SUPPLY	030130320000	
32	DC POWER SUPPLY :24V :150W	645300570000	LED Lamp
33	STUD :NO.1 :M5-93	505105350000	
34	COVER :DC POWER SUPPLY :LED LIGHT	0J110910@000	
35	TRANSFORMER :SEPARATE :X13A[A]	0J0901400A30	Single-phase EN/ENA/GES
36	TRANSFORMER :SEPARATE :X15[A]	0J0902400A00	
37	BASE :TRANSFORMER :A	0J1801600000	
38	BOX :BREAKER	0J1108300000	
39	NO FUSE BREAKER :3-PHASE 15A[T]	0J0605800T00	
40	COVER :BREAKER BOX	0J1108400000	
41			
42			
43			
44			
45			
46			
47			
48			
49			

Note: As for parts with mark @, please follow our instructions on Table of Contents in your parts order.

(YK04)



# OPERATION PANEL

X5-24

No.	Part Name	Part No.	Remark
1	CONTROLLER :X21[A]	0J0205100A10	
2	OPERATION PANEL :FRONT[S]	0J1404200S20	
3	OPERATION PANEL :REAR	0J1404300010	
4	SHUTTER :FDD	0J1404400010	
5	COVER :LCD PANEL	0J1414900000	
6	COVER :LAMP	0J1404700000	
7	OPERATION BUTTON	0J1404500000	
8	CARD :SWITCH :4	0J3505400000	
9	BASE :PANEL CARD	0J1415300000	
10	LCD :7 INCH WIDE	641200250000	
11	BRACKET :LCD	0J1415100000	
12	CARD :CPU :X21[A]	0J2306600A10	
13	LITHIUM BATTERY :XC[A]	645300490A01	
14	SPACER :HEXAGON :L20 :M3 :UNDER HEAD 3MM	644501750000	
15	BRACKET :USB CONNECTOR CARD	0J1415400000	
16	CARD :USB CONNECTOR	0J3200800000	
17	COVER :USB	0J1408500000	
18	CARD :CAPACITOR	0J3502600010	
19	SPACER :HEXAGON	644500880000	
20	SUPPORT :CARD BASE	0J1406500020	
21	CARD :I/F CONNECTOR	0J3200700010	
22	SPACER :HEXAGON	644500300000	
23	SUPPORT :PANEL BASE	0J1406600020	
24	BASE :OPERATION PANEL[S]	0J1405000S00	
25	DUST CAP :LAN	644501460000	
26	DUST CAP :USB	644500490000	
27	HOLDER :OPERATION PANEL	030221040000	
28	CLAMP :CONTROLLER HOLDER[S]	030220870S00	
29	PIPE :CONTROLLER :A-D	03021040@000	
30	KNOBBED SCREW :NO.2 :M5*9[S]	511F05120S00	
31	SWITCH :EMERGENCY STOP[A]	0J0603900A00	
32	BASE :EMERGENCY STOP SWITCH[S]	030230170S10	
33	GROMMET WITH FILM :26A	644500210000	
34	JOG REMOTE-CONTROLLER[A]	0J4200100A00	
35	JOG REMOTE-CONTROLLER POCKET[A]	0J5102100A00	
36			
37			
38			
39			
40			
41			
42			
43			
44			
45			
46			
47			
48			
49			
50			

Note: As for parts with mark @, please follow our instructions on Table of Contents in your parts order.

(YK07)

# A, B

No.	Part No.	Remark	No.	Part No.	Remark
<b>A Flat Fillister Head Screw</b>			B17	S120031502TD	M3*15
A1	SA41730351CN	1/8*44*3.5	B18	S120031501TN	M3*15
A2	SA41730501CN	1/8*44*5	B19	S120031601TN	M3*16
A3	SA41730551CN	1/8*44*5.5	B20	S120031801TN	M3*18
A4	SA41730601CN	1/8*44*6	B21	S120032003TD	M3*20
A5	SA41740301CN	9/64*40*3	B22	S120032001TN	M3*20
A6	SA41740402CN	9/64*40*4	B23	S120032501TN	M3*25
A7	SA41740401SA	9/64*40*4	B24	S120033001TN	M3*30 Half Threads
A8	SA41740403CL	9/64*40*4	B25	S120040501TD	M4*5
A9	SA41740404CN	9/64*40*4	B26	S120040502TN	M4*5
A10	SA41740501CN	9/64*40*5	B27	S120040602TD	M4*6
A11	SA41740601CN	9/64*40*6	B28	S120040601TN	M4*6
A12	SA41740602CN	9/64*40*6	B29	S120040801TD	M4*8
A13	SA41740701CN	9/64*40*7	B30	S120040802TN	M4*8
A14	SA41740801CN	9/64*40*8	B31	S120041001TD	M4*10
A15	SA41740802CN	9/64*40*8	B32	S120041002TN	M4*10
A16	SA41740803CN	9/64*40*8	B33	S120041201TD	M4*12
A17	SA41741001CN	9/64*40*10	B34	S120041202TN	M4*12
A18	SA41741202CN	9/64*40*12	B35	S120041401TN	M4*14
A19	SA41741501CN	9/64*40*15	B36	S120041502TD	M4*15
A20	SA41750431TN	11/64*40*4.3	B37	S120041501TN	M4*15
A21	SA41750701CN	11/64*40*7	B38	S120041601TN	M4*16
A22	SA41750751CN	11/64*40*7.5	B39	S120041801TN	M4*18
A23	SA41750901SH	11/64*40*9	B40	S120042002TD	M4*20
A24	SA41751151CN	11/64*40*11.5	B41	S120042001TN	M4*20
A25	SA41751201CN	11/64*40*12	B42	S120042502TD	M4*25
A26	S141030801SC	M3*8	B43	S120042501TN	M4*25
A27	S141030802SD	M3*8	B44	S120042504TN	M4*25 Half Threads
A28	S141031001CC	M3*10	B45	S120043001TN	M4*30
A29	S141041001SC	M4*10	B46	S120043502TD	M4*35
A30	SA41740653TB	9/64*40*6.5	B47	S120043501TN	M4*35
A31	SA41741401CN	9/64*40*14	B48	S120044001TN	M4*40
			B49	S120044501TN	M4*45
<b>B Hexagon Socket Head Cap Screw</b>			B50	S120050601TN	M5*6
B1	S120020801TD	M2*8	B51	S120050801TD	M5*8
B2	S120021001TD	M2*10	B52	S120050802TN	M5*8
B3	S120480501TN	M2.6*5	B53	S120051001TD	M5*10
B4	S120030301TN	M3*3	B54	S120051002TN	M5*10
B5	S120030401TN	M3*4	B55	S120051004TP	M5*10
B6	S120030502TD	M3*5	B56	S120051201TD	M5*12
B7	S120030501TN	M3*5	B57	S120051202TN	M5*12
B8	S120030601TD	M3*6	B58	S120051401TN	M5*14
B9	S120030602TN	M3*6	B59	S120051501MZ	M5*15
B10	S120030804MZ	M3*8	B60	S120051502TD	M5*15
B11	S120030801TD	M3*8	B61	S120051503TN	M5*15
B12	S120030802TN	M3*8	B62	S120051601TN	M5*16
B13	S120031001TD	M3*10	B63	S120051801TN	M5*18
B14	S120031002TN	M3*10	B64	S120052001TD	M5*20
B15	S120031203TD	M3*12	B65	S120052002TN	M5*20
B16	S120031201TN	M3*12	B66	S120052201TN	M5*22

# B

No.	Part No.	Remark	No.	Part No.	Remark
<b>B</b>	<b>Hexagon Socket Head Cap Screw</b>		B116	S120102002TD	M10*20
B67	S120052301TN	M5*23	B117	S120102001TN	M10*20
B68	S120052501TN	M5*25	B118	S120102501TN	M10*25
B69	S120053001TN	M5*30	B119	S120103001TN	M10*30
B70	S120053503TD	M5*35	B120	S120103501TN	M10*35
B71	S120053501TN	M5*35	B121	S120104001TN	M10*40
B72	S120053502TN	M5*35 Half Threads	B122	S120123001TN	M12*30
B73	S120054001TN	M5*40	B123	S120123501TN	M12*35
B74	S120054501TN	M5*45	B124	S120081801TN	M8*18
B75	S120055001TN	M5*50	B125	S120470501TN	M2.5*5
B76	S120055002TN	M5*50 Half Threads	B126	S120052502TD	M5*25
B77	S120055501TN	M5*55	B127	S120030302TD	M3*3
B78	S120056001TN	M5*60	B128	S120051504TN	M5*15 Low Head
B79	S120056003TN	M5*60 Half Threads	B129	S120031801TD	M3*18
B80	S120060801TN	M6*8	B130	S120052801TN	M5*28
B81	S120060901TN	M6*9	B131	S120044502TN	M4*45 Half Threads
B82	S120061001TN	M6*10	B132	S120081501TD	M8*15
B83	S120061202TD	M6*12	B133	S120051802TD	M5*18
B84	S120061201TN	M6*12	B134	S120470401TN	M2.5*4
B85	S120061501TD	M6*15	B135	S120033003SD	M3*30
B86	S120061502TN	M6*15	B136	S120030402TD	M3*4
B87	S120061801TD	M6*18	B137	S120033002TN	M3*30
B88	S120061802TN	M6*18	B138	S120067502TN	M6*75
B89	S120062001TN	M6*20	B139	S120050501TN	M5*5
B90	S120062501TN	M6*25	B140	S120082001TD	M8*20
B91	S120063001TN	M6*30	B141	S120086002TD	M8*60
B92	S120063501TN	M6*35	B142	S120062002TD	M6*20
B93	S120064001TN	M6*40	B143	S120043503TD	M4*35 Half Threads
B94	S120064501TN	M6*45	B144	S120044003TN	M4*40 Half Threads
B95	S120064502TN	M6*45 Half Threads	B145	S120030605TD	M3*6 Low Head
B96	S120065001TN	M6*50 Half Threads	B146	S120042202TD	M4*22
B97	S120066501TN	M6*65	B147	S120062502TD	M6*25
B98	S120067501TN	M6*75 Half Threads	B148	S120045501TN	M4*55 Half Threads
B99	S120068001TN	M6*80 Half Threads	B149	S120123001TD	M12*30
B100	S12006A001TN	M6*100	B150	S120034001TN	M3*40
B101	S120081201TN	M8*12	B151	S120035001TN	M3*50
B102	S120081502TN	M8*15	B152	S120470502TD	M2.5*5
B103	S120081503TP	M8*15	B153	S120081202TD	M8*12
B104	S120081601TN	M8*16	B154	S120042201TN	M4*22
B105	S120082001TN	M8*20	B155	S120041802TD	M4*18
B106	S120082502TN	M8*25	B156	S120041602TD	M4*16
B107	S120083001TN	M8*30	B157	S120081504TN	M8*15 With Washer
B108	S120083501TN	M8*35	B158	S120050602TD	M5*6
B109	S120084001TN	M8*40	B159	S120045001TD	M4*50
B110	S120084002TN	M8*40 Half Threads	B160	S120044002TD	M4*40
B111	S120084501TN	M8*45	B161	S120082501TD	M8*25
B112	S120084502TN	M8*45 Half Threads	B162	S120040603SC	M4*6 Extra Low Head
B113	S120085001TN	M8*50	B163	S120470301TN	M2.5*3
B114	S120086001TN	M8*60	B164	S120031401TN	M3*14
B115	S120087001TN	M8*70	B165	S123040601TD	M4*6 With Flange

# B, C, D, E

No.	Part No.	Remark	No.	Part No.	Remark
<b>B Hexagon Socket Head Cap Screw</b>			D6	SA43740601CL	9/64*40*6
B166	S123040603MZ	M4*6 With Flange	D7	SA43740602CN	9/64*40*6
B167	S123040801TN	M4*8 With Flange	D8	SA43740603CL	9/64*40*6
B168	S123050601MZ	M5*6 With Flange	D9	SA43740604CN	9/64*40*6
B169	S123050801MZ	M5*8 With Flange	D10	SA43740682CN	9/64*40*6.8
B170	S123051001MZ	M5*10 With Flange	D11	SA43740801CL	9/64*40*8
B171	S123051201TD	M5*12 With Flange	D12	SA43740802CN	9/64*40*8
B172	S123051202MZ	M5*12 With Flange	D13	SA43741001CN	9/64*40*10
B173	S123060801TD	M6*8 With Flange	D14	SA43741201CN	9/64*40*12
B174	S120053002TD	M5*30	D15	SA43750601CN	11/64*40*6
B175	S120063002TD	M6*30	D16	SA43750652CN	11/64*40*6.5
B176	S120050502TD	M5*5	D17	SA43751051CN	11/64*40*10.5
			D18	SA43751201CN	11/64*40*12
<b>C Hexagon Bolt</b>			D19	SA43751501CN	11/64*40*15
C1	S121030601SD	M3*6	D20	SA43812451CN	9/32*28*24.5
C2	S121040801SD	M4*8	D21	S143030501SD	M3*5
C3	S121042501SD	M4*25			
C4	S121051001SD	M5*10	<b>E Pan Head Screw</b>		
C5	S121051502SC	M5*15	E1	S160410141MZ	M1.4*1.4
C6	S121051501SD	M5*15	E2	S160020202MZ	M2*2
C7	S121052001SD	M5*20	E3	S160020301MZ	M2*3
C8	S121061501SC	M6*15	E4	S160020401MZ	M2*4
C9	S121062501TN	M6*25	E5	S160020801MZ	M2*8
C10	S121064501SD	M6*45	E6	S160470301MZ	M2.5*3
C11	S121065001SC	M6*50	E7	S160470402MZ	M2.5*4
C12	S121065002SD	M6*50	E8	S160470501MZ	M2.5*5
C13	S121065501SD	M6*55	E9	S160470801MZ	M2.5*8
C14	S121066501SD	M6*65	E10	S160471301MZ	M2.5*13
C15	S121067501SC	M6*75	E11	S160471302SD	M2.5*13
C16	S121081501TN	M8*15	E12	S160480601SD	M2.6*6
C17	S121081801TN	M8*18	E13	S160030301MZ	M3*3
C18	S121103001TN	M10*30	E14	S160030302SD	M3*3
C19	S121103502SC	M10*35	E15	S160030403CD	M3*4
C20	S121103501TN	M10*35	E16	S160030401MZ	M3*4
C21	S121104001SC	M10*40	E17	S160030402SD	M3*4
C22	S121125001TN	M12*50	E18	S160030501MZ	M3*5
C23	S12112B001TN	M12*110	E19	S160030502SD	M3*5
C24	S121082501TN	M8*25	E20	S160030601MZ	M3*6
C25	S121102501TN	M10*25	E21	S160030603SA	M3*6
C26	S121082202TN	M8*22	E22	S160030602SD	M3*6
C27	S121041001SD	M4*10	E23	S160030801MZ	M3*8
C28	S121040601SD	M4*6	E24	S160030803SA	M3*8
C29	S121061503SD	M6*15	E25	S160030802SD	M3*8
			E26	S160031001MZ	M3*10
<b>D Round Fillister Head Screw</b>			E27	S160031003SC	M3*10 Half Threads
D1	SA43740401CL	9/64*40*4	E28	S160031002SD	M3*10
D2	SA43740501CL	9/64*40*5	E29	S160031101SC	M3*11 Half Threads
D3	SA43740502CN	9/64*40*5	E30	S160031201MZ	M3*12
D4	SA43740503CN	9/64*40*5	E31	S160031202SD	M3*12
D5	SA43740504CN	9/64*40*5	E32	S160031401SA	M3*14



# E, F

No.	Part No.	Remark	No.	Part No.	Remark
<b>E Pan Head Screw</b>			<b>F Countersunk Head Screw</b>		
E33	S160031402SD	M3*14	F1	SA51741001CN	9/64*40*10
E34	S160031501SD	M3*15	F2	SA50750801CN	11/64*40*8
E35	S160031601SD	M3*16	F3	S150020601SD	M2*6
E36	S160031801SD	M3*18	F4	S150030401MZ	M3*4
E37	S160032001SD	M3*20	F5	S150030402SD	M3*4
E38	S160033001SD	M3*30	F6	S150030501MZ	M3*5
E39	S160034002SD	M3*40	F7	S150030502SD	M3*5
E40	S160035001SD	M3*50 Half Threads	F8	S151030601SD	M3*6
E41	S160040401SD	M4*4	F9	S150030601MZ	M3*6
E42	S160040501SD	M4*5	F10	S150030602SD	M3*6
E43	S160040601MZ	M4*6	F11	S150030701SD	M3*7
E44	S160040602SD	M4*6	F12	S151030801SD	M3*8
E45	S160040801SD	M4*8	F13	S150030801MZ	M3*8
E46	S160041001SD	M4*10	F14	S150030804SC	M3*8
E47	S160041201SD	M4*12	F15	S150030802SD	M3*8
E48	S160041501SD	M4*15	F16	S150030803SN	M3*8
E49	S160041801SD	M4*18	F17	S150031002MZ	M3*10
E50	S160043001SD	M4*30	F18	S150031001SD	M3*10
E51	S160045001SD	M4*50	F19	S150031201MZ	M3*12
E52	S160046001SD	M4*60	F20	S150031202SD	M3*12
E53	S160050601SD	M5*6	F21	S150031501MZ	M3*15
E54	S160050701SD	M5*7	F22	S150031601SD	M3*16
E55	S160050801SD	M5*8	F23	S150040501SD	M4*5
E56	S160051002MZ	M5*10	F24	S150040602MZ	M4*6
E57	S160051001SD	M5*10	F25	S150040601SD	M4*6
E58	S160051201SD	M5*12	F26	S150040801MZ	M4*8
E59	S160053001SD	M5*12	F27	S150040802SD	M4*8
E60	S160051501SD	M5*15	F28	S150041001MZ	M4*10
E61	S160054501SD	M5*45	F29	S150041002SD	M4*10
E62	S160055001SD	M5*50	F30	S150041201SD	M4*12
E63	S160056001SD	M5*60	F31	S150041401SD	M4*14
E64	S160047001SD	M4*70	F32	S150041501SD	M4*15
E65	S160480801SD	M2.6*8	F33	S150042001SD	M4*20
E66	S160030504SC	M3*5	F34	S150042201SD	M4*22
E67	S160480602MZ	M2.6*6	F35	S150042501SD	M4*25
E68	S160031403MZ	M3*14	F36	S150050601SD	M5*6
E69	S160042001SD	M4*20	F37	S150050801SD	M5*8
E70	S160044501SD	M4*45	F38	S150051001MZ	M5*10
E71	S160020203SD	M2*2	F39	S150051002SD	M5*10
E72	S160470502SD	M2.5*5	F40	S150051201SD	M5*12
E73	SA60740551TN	9/64*40*5.5	F41	S150051501SD	M5*15
E74	S160431001MZ	M1.7*10	F42	S150053001SD	M5*30
E75	S160043501SD	M4*35	F43	S150053501SD	M5*35
E76	S160020501SD	M2*5	F44	S150054001SD	M5*40
E77	S160052501SD	M5*25	F45	S150061502SC	M6*15
E78	S160044001SD	M4*40	F46	S150061503SD	M6*15
E79	S160470403SD	M2.5*4	F47	S150063501SD	M6*35
E80	S160021201SD	M2*12	F48	S150081201SD	M8*12
			F49	S150087001TN	M8*70

# F, G, H

No.	Part No.	Remark	No.	Part No.	Remark
<b>F</b> Countersunk Head Screw			H29	S130040601MZ	M4*6
F50	S150061801SD	M6*18	H30	S130040602SD	M4*6
F51	S150052501SD	M5*25	H31	S130040651SD	M4*6.5
F52	S150040502MZ	M4*5	H32	S130040801MZ	M4*8
F53	S150020301MZ	M2*3	H33	S130040802SD	M4*8
F54	S150020401MZ	M2*4	H34	S130040803MZ	M4*8 JIS
F55	S150480401MZ	M2.6*4	H35	S130041002MZ	M4*10
F56	S150031401SD	M3*14	H36	S130041001SD	M4*10
F57	S150020302MZ	M2*3 0-TYPE 1	H37	S130041201SD	M4*12
			H38	S130041502SD	M4*15
<b>G</b> Round Countersunk Head Screw			H39	S130042001SD	M4*20
G1	SA53730601CL	1/8*44*6	H40	S130050501SD	M5*5
G2	SA53740301CL	9/64*40*3	H41	S130050602MZ	M5*6
G3	SA53740351CL	9/64*40*3.5	H42	S130050601SD	M5*6
G4	SA53740401CL	9/64*40*4	H43	S130050651SD	M5*6.5
G5	SA53740601CL	9/64*40*6	H44	S130050701SD	M5*7
G6	SA53740701CL	9/64*40*7	H45	S130050801MZ	M5*8
G7	SA53740951CL	9/64*40*9.5	H46	S130050802SD	M5*8
G8	SA53741201CL	9/64*40*12	H47	S130051002MZ	M5*10
G9	SA53740681CL	9/64*40*6.8	H48	S130051001SD	M5*10
			H49	S130051201MZ	M5*12
<b>H</b> Truss Head Screw			H50	S130051202SD	M5*12
H1	SA30730701CL	1/8*44*7	H51	S130051501SD	M5*15
H2	SA30740301CL	9/64*40*3.5	H52	S130052001SD	M5*20
H3	SA30740401CL	9/64*40*4	H53	S130052502SD	M5*25
H4	SA31740401CM	9/64*40*4	H54	S130053001SD	M5*30
H5	SA30740601CL	9/64*40*6	H55	S130053501SD	M5*35
H6	SA30740801CL	9/64*40*8	H56	S130060801SD	M6*8
H7	S130470301MZ	M2.5*3	H57	S130061001SD	M6*10
H8	S130470302SD	M2.5*3	H58	S130062201SD	M6*22
H9	S130470401MZ	M2.5*4	H59	S130062501SD	M6*25
H10	S130470402SA	M2.5*4	H60	S130063501SD	M6*35
H11	S130470403SD	M2.5*4	H61	S130064001SD	M6*40
H12	S130030301MZ	M3*3	H62	S130031501SD	M3*15
H13	S130030302SD	M3*3	H63	S130043501SD	M4*35
H14	S130030402SD	M3*4	H64	S130020201SD	M2*2
H15	S130030501MZ	M3*5	H65	S130470501SD	M2.5*5
H16	S130030502SD	M3*5	H66	S130052002MZ	M5*20
H17	S130030601MZ	M3*6	H67	S130054501SE	M5*45
H18	S130030602SD	M3*6	H68	S130050502MZ	M5*5
H19	S130030603SA	M3*6	H69	S130054001SD	M5*40
H20	S130030802SD	M3*8	H70	S130055001SD	M5*50
H21	S130030803SA	M3*8	H71	S130030801MZ	M3*8
H22	S130031001MZ	M3*10	H72	S130052201SD	M5*22
H23	S130031002SD	M3*10	H73	S130041802MZ	M4*18
H24	S130032001SD	M3*20	H74	S130055501SD	M5*55
H25	S130040401MZ	M4*4	H75	S130041202SD	M4*12 JIS
H26	S130040401SD	M4*4	H76	SA30740501CL	9/64*40*5
H27	S130040501MZ	M4*5	H77	SA30741001CL	9/64*40*10
H28	S130040502SD	M4*5			

# J, K, L, M, N

No.	Part No.	Remark	No.	Part No.	Remark
<b>J Round Head Screw</b>			L24	S170050401TN	M5*4
J1	S162020301MZ	M2*3	L25	S170050501TN	M5*5
J2	S162030801SD	M3*8	L26	S170050601TN	M5*6
J3	S162030802SE	M3*8	L27	S170050801TN	M5*8
J4	S162031001MZ	M3*10	L28	S170051001TN	M5*10
			L29	S170051201TN	M5*12
<b>K Slotted Set Screw</b>			L30	S170051501TN	M5*15
K1	SA71730351CN	1/8*44*3.5	L31	S170060501TN	M6*5
K2	SA71740601CN	9/64*40*6	L32	S170060601TN	M6*6
K3	SA71750251CN	11/64*40*2.5	L33	S170060801TN	M6*8
K4	SA71750351CN	11/64*40*3.5	L34	S170061001TN	M6*10
K5	SA71750401CN	11/64*40*4	L35	S170061801TN	M6*18
K6	SA71750501CN	11/64*40*5	L36	S170080801TN	M8*8
K7	SA71790501CN	15/64*28*5	L37	S170081001TN	M8*10
K8	SA71791001CN	15/64*28*10	L38	S170081501TN	M8*15
K9	SA71791501CN	15/64*28*15	L39	S170031001TN	M3*10
K10	SA71791701CN	15/64*28*17	L40	S170031201TN	M3*12
K11	SA71800401CN	1/4*40*4	L41	S170053001TN	M5*30
K12	SA71800451CN	1/4*40*4.5	L42	S170061201TN	M6*12
K13	SA71800501CN	1/4*40*5	L43	S174060601TN	M6*6B
K14	SA71800601CN	1/4*40*6	L44	S170050802TN	M5*8 Narrow Treading
K15	SA71800801CN	1/4*40*8	L45	S170050602TN	M5*6 Narrow Treading
K16	SA71811201CN	9/32*28*12	L46	S170031501TN	M3*15
K17	S171050601TN	M5*6	L47	S170061501TN	M6*15
K18	S171030601SD	M3*6			
			<b>M Hexagon Socket Head Button Screw</b>		
<b>L Hexagon Socket Head Set Screw</b>			M1	S124030401SC	M3*4
L1	SA70730251CN	1/8*44*2.5	M2	S124040601SC	M4*6
L2	SA70730301CN	1/8*44*3	M3	S124040802SC	M4*8
L3	SA70750901CN	11/64*28*9	M4	S124040803SD	M4*8
L4	SA70750401CN	11/64*40*4	M5	S124051001SC	M5*10
L5	SA70750601CN	11/64*40*6	M6	S124051002SD	M5*10
L6	SA70750801CN	11/64*40*8	M7	S124051501SD	M5*15
L7	SA70790401CN	15/64*28*4	M8	S124081201SC	M8*12
L8	SA70790901CN	15/64*28*9	M9	S124081202SD	M8*12
L9	S170470301TN	M2.5*3	M10	S124081501SD	M8*15
L10	S170030201TN	M3*2	M11	S124030501SC	M3*5
L11	S170030301TN	M3*3	M12	S124030801SC	M3*8
L12	S170030401TN	M3*4	M13	S124030502TC	M3*5
L13	S170030501TN	M3*5	M14	S124030402SD	M3*4
L14	S170030601TN	M3*6	M15	S124030601SD	M3*6
L15	S170030801TN	M3*8	M16	S124040401SD	M4*4
L16	S170040301TN	M4*3	M17	S124030602SC	M3*6
L17	S170040401TN	M4*4	M18	S124030503SD	M3*5
L18	S170040501TN	M4*5	M19	S124031002SD	M3*10
L19	S170040601TN	M4*6	M20	S124041001SD	M4*10
L20	S170040602TN	M4*6 Half Threads	M21	S124051201SD	M5*12
L21	S170040801TN	M4*8			
L22	S170041001TN	M4*10	<b>N Screw with Washer</b>		
L23	S170041201TN	M4*12	N1	S660480601SE	M2.6*6

# N, P

No.	Part No.	Remark	No.	Part No.	Remark
<b>N</b>	Screw with Washer		<i>P6</i>	SB10750701CN	11/64*40*7*3
<i>N2</i>	S660030601SE	M3*6	<i>P7</i>	SB11750701CN	11/64*40*7*3
<i>N3</i>	S660030801SE	M3*8	<i>P8</i>	S210420001XA	M1.6 Type 1
<i>N4</i>	S660031001SE	M3*10	<i>P9</i>	S210020001SD	M2 Type 1
<i>N5</i>	S660031501SE	M3*15	<i>P10</i>	S212020002SD	M2 Type 3
<i>N6</i>	S660031601SE	M3*16	<i>P11</i>	S210460002SD	M2.3 Type 1
<i>N7</i>	S660031801SE	M3*18	<i>P12</i>	S210470001MZ	M2.5 Type 1
<i>N8</i>	S660040601SE	M4*6	<i>P13</i>	S212480001SD	M2.6 Type 3
<i>N9</i>	S660040801SE	M4*8	<i>P14</i>	S210030001MZ	M3 Type 1
<i>N10</i>	S660041001SE	M4*10	<i>P15</i>	S210030002SC	M3 Type 1
<i>N11</i>	S660041201SE	M4*12	<i>P16</i>	S210030003SD	M3 Type 1
<i>N12</i>	S660045501SE	M4*55	<i>P17</i>	S215030001SD	M3 Thumbscrew Type 2
<i>N13</i>	S660051001SE	M5*10	<i>P18</i>	S212030001SC	M3 Type 3
<i>N14</i>	S660051201SE	M5*12	<i>P19</i>	S212030002SD	M3 Type 3
<i>N15</i>	S660051401SE	M5*14	<i>P20</i>	S212530001SC	M3.5 Type 3
<i>N16</i>	S660051801SE	M5*18	<i>P21</i>	S210040001SC	M4 Type 1
<i>N17</i>	S660030801MZ	M3*8	<i>P22</i>	S210040002SD	M4 Type 1
<i>N18</i>	S660030502MZ	M3*5	<i>P23</i>	S212040001SC	M4 Type 3
<i>N19</i>	S660031502MZ	M3*15	<i>P24</i>	S212040002SD	M4 Type 3
<i>N20</i>	S660030603S1	M3*6 (P-4)	<i>P25</i>	S217040001SD	M4 Cap
<i>N21</i>	S660030802S1	M3*8 (P-3)	<i>P26</i>	S210050001SC	M5 Type 1
<i>N22</i>	S660030604S1	M3*6 (P-3)	<i>P27</i>	S210050002SD	M5 Type 1
<i>N23</i>	S660031802S1	M3*18 (P-3)	<i>P28</i>	S212050001SC	M5 Type 3
<i>N24</i>	S660040602S1	M4*6 (P-3)	<i>P29</i>	S212050002SD	M5 Type 3
<i>N25</i>	S660040802S1	M4*8 (P-3)	<i>P30</i>	S217050001SD	M5 Cap
<i>N26</i>	S660041002S1	M4*10 (P-3)	<i>P31</i>	S210060001SC	M6 Type 1
<i>N27</i>	S660043001S1	M4*30 (P-3)	<i>P32</i>	S210060002SC	M6 Type 1 (Left)
<i>N28</i>	S660051002S1	M5*10 (P-3)	<i>P33</i>	S210060003SD	M6 Type 1
<i>N29</i>	S660031803S1	M3*18 (P-4)	<i>P34</i>	S210060004SD	M6 Type 1 (Left)
<i>N30</i>	S660030505S1	M3*5 (P-4)	<i>P35</i>	S212060001SC	M6 Type 3
<i>N31</i>	S660031504S1	M3*15 (P-4)	<i>P36</i>	S210080001SC	M8 Type 1
<i>N32</i>	S660031002S1	M3*10 (P-4)	<i>P37</i>	S210080002SD	M8 Type 1
<i>N33</i>	S660040803S1	M4*8 (P-4)	<i>P38</i>	S212080001SC	M8 Type 3
<i>N34</i>	S660030504S1	M3*5 (P-3)	<i>P39</i>	S212080002SD	M8 Type 3
<i>N35</i>	S660020401S1	M2*4 (P-4)	<i>P40</i>	S210100001SC	M10 Type 1
<i>N36</i>	S660031505S1	M3*15 (P-3)	<i>P41</i>	S213100002SD	M10 With Flange
<i>N37</i>	S660041202S1	M4*12 (P-3)	<i>P42</i>	S213100003SD	M10 With Disk Spring
<i>N38</i>	S660480401S1	M2.6*4 (P-4)	<i>P43</i>	S210120001SC	M12 Type 1
<i>N39</i>	S660031003S1	M3*10 (P-3)	<i>P44</i>	S212120001SC	M12 Type 3
<i>N40</i>	S660031602S1	M3*16 (P-3)	<i>P45</i>	S212120002SD	M12 Type 3
<i>N41</i>	S660030605S1	M3*6 (P-3) FOR THIN PLATE	<i>P46</i>	S210160001SD	M16 Type 1
<i>N42</i>	S660030803S1	M3*8 (P-4)	<i>P47</i>	S212160002SC	M16 Type 1
<i>N43</i>	S660031201S1	M3*12 (P-3)	<i>P48</i>	S212160001SD	M16 Type 3
			<i>P49</i>	S210200001SC	M20 Type 1
<b>P</b>	Nut		<i>P50</i>	S212470001SC	M2.5 Type 3
<i>P1</i>	SB10730601CN	1/8*44*6*3	<i>P51</i>	SB12750701SC	11/64*7*2.2 Type 3
<i>P2</i>	SB10740601CL	9/64*40*6*2	<i>P52</i>	S211040001SD	M4 Type 2
<i>P3</i>	SB10740602CN	9/64*40*6*3	<i>P53</i>	SB12740601MZ	9/64*6*2 Type 3
<i>P4</i>	SB10750602CN	11/64*40*6*2	<i>P54</i>	SB10750601CN	11/64*6*2.2
<i>P5</i>	SB10750603CN	11/64*40*6*3	<i>P55</i>	S212030003SD	M3 Type 3

# P, R

No.	Part No.	Remark	No.	Part No.	Remark
<b>P</b>	<b>Nut</b>		R38	S301102201SC	Plain M10*22*t1.6
P56	S217060001SD	M6 Cap	R39	S301102601SC	Plain M10*26*t3.2
P57	S217030001SD	M3 Cap	R40	S301102602SD	Plain M10*26*t3.2
P58	S212200001SC	M20 Type 3	R41	S301122051SC	Plain M12*20.5*t2
P59	S212160002SC	M16 Type 3	R42	S301163201SD	Plain M16*32*t2.5
P60	SB10750702CN	11/64*7*2.2	R43	S402020001KD	Spring M2
P61	SB10740605CN	9/64*40*6*1.5	R44	S402480001KC	Spring M2.6
P62	S213080002SD	M8 With Flange	R45	S402030001KC	Spring M3
P63	S213080001SD	M8 With Disk Spring	R46	S402030002KD	Spring M3
P64	S212100001SC	M10 Type 3	R47	S402530001KC	Spring M3.5
P65	S212060003SD	M6 Type 3	R48	S402040001KC	Spring M4
			R49	S402040002KD	Spring M4
			R50	S402050001KC	Spring M5
<b>R</b>	<b>Washer</b>		R51	S402050002KD	Spring M5
R1	S301410301MZ	Plain M1.4*3*t0.3	R52	S402050003MZ	Spring M5
R2	S301020351XZ	Plain M2*3.5*t0.5	R53	S402060001KC	Spring M6
R3	S301020431SD	Plain M2*4.3*t0.3	R54	S402060002KD	Spring M6
R4	S301480501XB	Plain M2.6*5*t0.5	R55	S402080001KC	Spring M8
R5	S301480751XB	Plain M2.6*7.5*t0.5	R56	S402080002KD	Spring M8
R6	S301030602XZ	Plain M3*6*t0.3	R57	S402100001KC	Spring M10
R7	S301030603SC	Plain M3*6*t0.5	R58	S402100002KD	Spring M10
R8	S301030601SD	Plain M3*6*t0.5	R59	S402120001KC	Spring M12
R9	S301030701SD	Plain M3*7*t0.5	R60	S305041101TP	Wave M4
R10	S301030804SD	Plain M3*8*t0.3	R61	S305051001TN	Wave M5
R11	S301030805MZ	Plain M3*8*t0.5	R62	S305061051TN	Wave M6
R12	S301030801SC	Plain M3*8*t0.5	R63	S304040851TP	With teeth M4
R13	S301030802SD	Plain M3*8*t0.5	R64	S304051001TP	With teeth M5
R14	S301030803SD	Plain M3*8*t1	R65	S306080001SC	Slant M8
R15	S301040805SC	Plain M4*8*t0.5	R66	S303040801SC	Disk Spring M4
R16	S301040802SD	Plain M4*8*t0.5	R67	S301041005EZ	Plain M4*10*t0.8
R17	S301040804SC	Plain M4*8*t0.8	R68	S301470252MZ	Plain M2.5*5*t0.5
R18	S301040803SD	Plain M4*8*t0.8	R69	S301030605SD	Plain M3*6*t1.0
R19	S301041004MZ	Plain M4*10*t0.8	R70	S301030604MZ	Plain M3*6*t0.5
R20	S301041002SC	Plain M4*10*t0.8	R71	S305051101TN	Wave M5
R21	S301041003SD	Plain M4*10*t0.8	R72	S301470253SD	Plain M2.5*5*t0.5
R22	S301041201SC	Plain M4*12*t1	R73	S301470251SC	Plain M2.5*5*t0.5
R23	S301051002SC	Plain M5*10*t0.8	R74	S305101451TN	Wave M10
R24	S301051003SD	Plain M5*10*t0.8	R75	S304080001TP	With teeth M8
R25	S301051204MZ	Plain M5*12*t0.8	R76	S301061152SD	Plain M6*11.5*t0.8
R26	S301051202SC	Plain M5*12*t0.8	R77	S301122601SC	Plain M12*26*t2.3
R27	S301051203SD	Plain M5*12*t0.8	R78	S304060002SD	With teeth M6
R28	S301061102SC	Plain M6*11*t1.6	R79	S304040852TP	With teeth M4 Outward
R29	S301061151SC	Plain M6*11.5*t0.8	R80	S301041202SD	Plain M4*12*t1.0
R30	S301061301SC	Plain M6*13*t1.0	R81	S301040901EZ	Plain M4*9*t0.3
R31	S301061302SD	Plain M6*13*t1.0	R82	S301051207EZ	Plain M5*12*t1.0
R32	S301061601SC	Plain M6*16*t1.0	R83	S301122601SD	Plain M12*26*t2.3
R33	S301081601SD	Plain M8*16*t1.2	R84	S402120002KD	Spring M12
R34	S301081801SC	Plain M8*18*t1.6	R85	S402480002KD	Spring M2.6
R35	S301081802SD	Plain M8*18*t1.6	R86	S301480752SD	Plain M2.6*7.5*t0.5
R36	S301081803SC	Plain M8*18*t3.2			
R37	S301082201SC	Plain M8*22*t3.2			

1st Edition    January, 2009  
11th Edition    July, 2020

■ **Manufactured by:**  
**TISM Co.,Ltd.**

NO.1800, Ushiyama-cho, Kasugai, Aichi-pref., 486-0901, Japan  
Telephone:81-568-33-1161 Fax:81-568-33-1191

■ **Distributed by:**  
**Tajima Industries Ltd.**

19-22, Shirakabe, 3-chome, Higashi-ku, Nagoya, 461-0011, Japan  
Telephone:81-52-932-3444 Fax:81-52-932-2457

●Copy, reprint, or reform of a part or whole of this manual without permission is prohibited.

## **THE TAJIMA GROUP**

<http://www.tajima.com>

### **Tajima Industries Ltd.**

19-22, Shirakabe, 3-chome, Higashi-ku, Nagoya, 461-0011, JAPAN  
TEL.81-52-932-3444 FAX.81-52-932-2457

### **TISM Co.,Ltd.**

NO.1800, Ushiyama-cho, Kasugai, Aichi-pref., 486-0901, JAPAN  
TEL.81-568-33-1161 FAX.81-568-33-1191