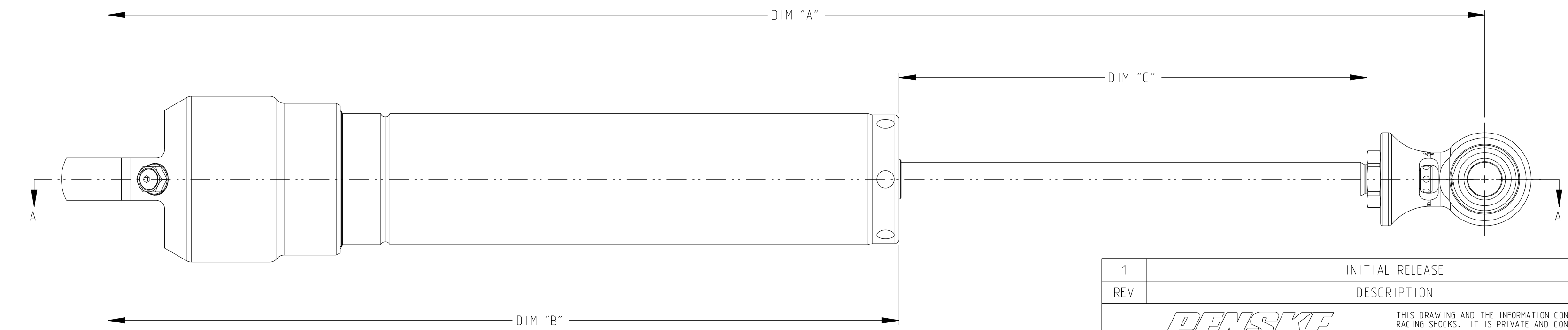
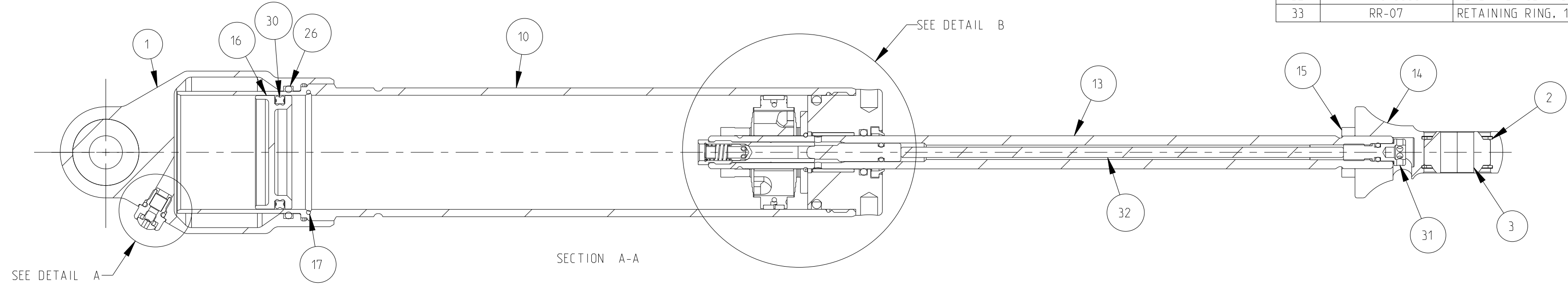
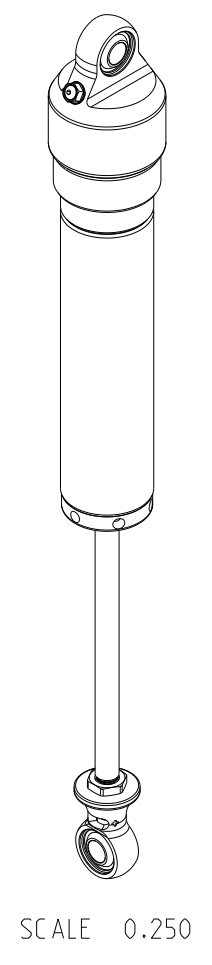
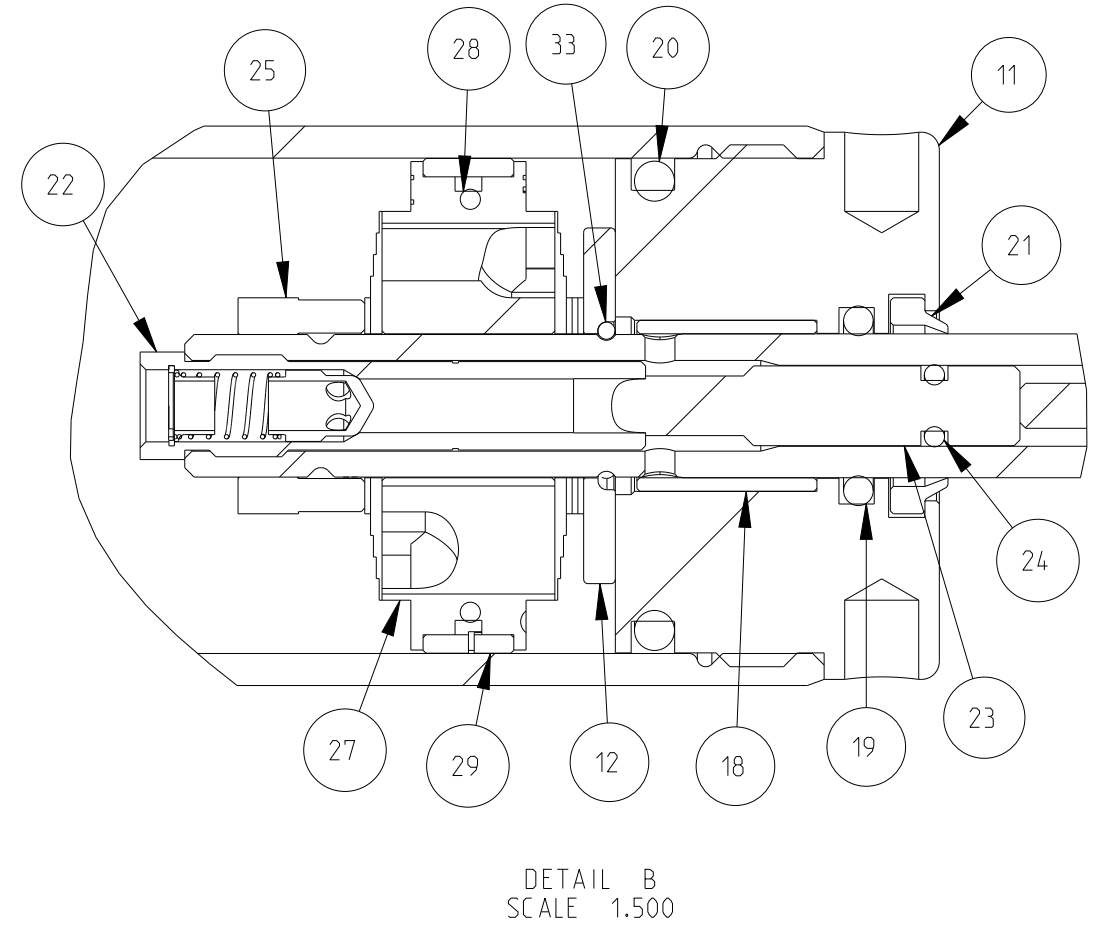
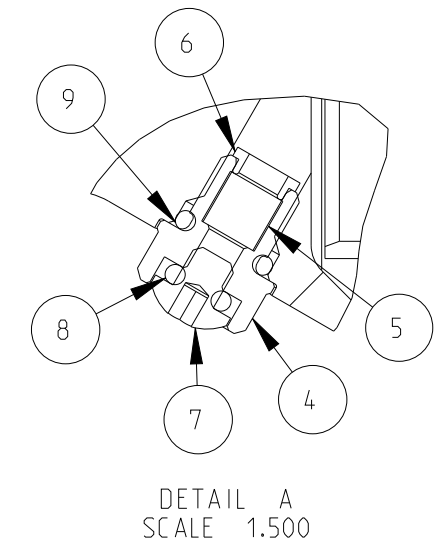


PROCESS		
NO	DESCRIPTION	DONE
1	ASSEMBLE	
2	FINAL PRS DYNO TEST & INSPECTION	

NO	PRS PART NO	DESCRIPTION	QTY
1	BC-7150	BODY CAP. 7150 SERIES, TANK VALVE	1
2	RR-16	RETAINING RING, 1.00" BORE	4
3	MO-09	MONO BALL, 1.00" OD X .500" ID	2
4	IU-14	INFLATION UNIT, MEMBRANE TYPE	1
5	OR-CORD50-B	INFLATION MEMBRANE	1
6	IU-14CAP	CAP, INFLATION MEMBRANE	1
7	SC-92	BHCS, 8-32 X 1/8"	1
8	OR-2006-B	O-RING, BUNA	1
9	OR-2010-B	O-RING, BUNA	1
10	BD-7157-S	BODY, 7150 SERIES	1
11	SB-75TH-500	SHAFT BEARING, 7500 SERIES, .500" ID	1
12	VW-7600	TOP OUT PLATE, 7600 SERIES	1
13	SH-76A7	SHAFT, 7600 SERIES, ADJUSTABLE, 10.314"	1
14	EY-76150-ST	STEEL EYELET, P/N: EY-76150-ST	1
15	NT-14J	JAM NUT, 1/2-20 UNF	1
16	PI-75	FLOATING PISTON, 7500 SERIES, MK2	1
17	RR-06	WIRE RING - 1.750" ID	1
18	BU-08DU10	SHAFT BUSHING, .500" ID X .625" LONG	1
19	OR-2112-V	O-RING, VITON	1
20	OR-2221-B	O-RING, BUNA	1
21	SL-06	SHAFT WIPER, .500" ID	1
22	JT-76RD	ASSEMBLY, REBOUND JET	1
23	NE-76	NEEDLE, 8760 SERIES	1
24	OR-2007-B	O-RING, BUNA	2
25	NT-02R	RING NUT, 1/2-20 UNF	1
26	OR-2133-B	O-RING, BUNA	1
27	PI-HF12005	PISTON, HIGH FLOW, 55MM BORE	1
28	OR-2028-B	O-RING, BUNA	1
29	PB-55	PISTON BAND, 55MM BORE	1
30	OR-4221-B	QUAD-RING, BUNA	1
31	RS-7600	REBOUND SCREW, 7600 SERIES	1
32	MR-76-6668	METERING ROD - SHAFT, Ø.500 DIAMETER	1
33	RR-07	RETAINING RING, 1/2" SHAFT	1



LENGTH OPTIONS						
ASSEMBLY	BODY	SHAFT	EYELET	DIM "A"	DIM "B"	DIM "C"
PS-7150-7	BD-7157-S	SH-7157-S	EY-7150	19.53	11.70	6.43
PS-7150-9	BD-7159	SH-76NA9	EY-7150	24.02	13.84	8.78
PS-7150SA-7	BD-7157-S	SH-76A7	EY-76150-ST	20.36	11.70	6.92
PS-7150SA-9	BD-7159	SH-76A9	EY-76150-ST	24.36	13.84	8.78

1	INITIAL RELEASE	SAJ	JH	JAN-29-18
REV	DESCRIPTION	DRAWN	CHECK	DATE
PENSKE RACING SHOCKS		THIS DRAWING AND THE INFORMATION CONTAINED HEREIN IS THE PROPERTY OF PENSKE RACING SHOCKS. IT IS PRIVATE AND CONFIDENTIAL AND IS ISSUED ON THE EXPRESSED CONDITION THAT IT IS NOT COMMUNICATED DIRECTLY OR INDIRECTLY, IN WHOLE OR IN PART, OR USED FOR MANUFACTURE OF ANY PARTS SHOWN HEREIN, WITHOUT THE WRITTEN CONSENT OF PENSKE RACING SHOCKS. ACCEPTANCE OF THIS DRAWING WILL BE CONSTRUED AS ACCEPTANCE OF THE FOREGOING CONDITIONS.		
150 FRANKLIN STREET, READING, PA 19602 TEL: (610) 375-6180 FAX: (610) 375-6190		DIMENSIONS INCH MASS (LBS) 4.270		
 TOLERANCES U.O.S. .X ± .025 .XX ± .010 .XXX ± .005 .XXXX ± .001	DRAWN BY SAJ MATERIAL N/A DESCRIPTION ASSEMBLY, 7150 SERIES DAMPER DRAWING NUMBER PS_7150XX_A641	APPROVED BY JH HEAT TREATMENT N/A SURFACE TREATMENT N/A INTERNAL PART NUMBER REFER TABLE	UNSPECIFIED EDGES U.O.S. EDGE BREAK .010 MAX CORNER RAD .015 MAX MAX SURFACE FINISH U.O.S. (Ra) 32 THREAD TOLERANCES U.O.S. INCH 2B(INT) 2A(EXT) METRIC 6H(INT) 6g(EXT)	SCALE 0.750 SHEET 1 of 1 FORMAT SIZE C