

# ***PENSKE***

## **RACING SHOCKS**

### Short Track Head Valve Series Shock

The Short Track Head Valve Series is compatible with both new and existing 7500 Series shocks with no modifications. The assembly, which can easily be removed, secures to the existing retaining ring. The 7500 Head Valve utilizes a 2 port piston design and can be valved to compliment any level of damping at the main piston.

The Head Valve system can be easily adapted to the 7600 Series with some simple modifications to the body itself.

During compression of a shock absorber, the head valve produces a pressure differential between the high pressure region of the main bore and the gas reservoir. This pressure differential allows for a reduction in gas pressure while still preventing cavitation from occurring.

**Adjustable or Sealed**

**Coilover or Smooth Body**

**Gas Separator Piston**

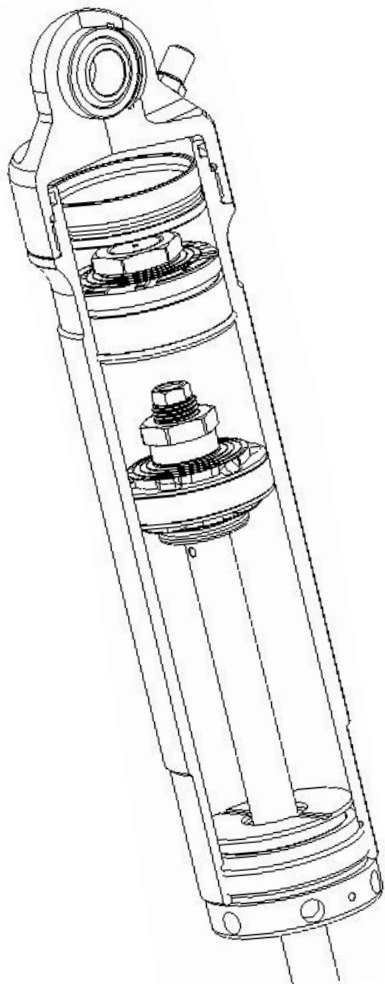
**7500 Series - 6", 7", 8", 9" Lengths**

**7600 Series - 6", 7", 8" Lengths**

**Various Piston Options**

**Assembled to Customer Specifications**

**Owner Rebuildable**



## ***The Competitive Advantage of Champions***

**Main Office**  
**Phone (610) 375-6180**

**PRS Midwest**  
**Phone (517) 592-6681**

**PRS Southeast**  
**Phone (386) 274-5332**

**PRS Canada**  
**Phone (905) 684-7418**

[www.penskeshocks.com](http://www.penskeshocks.com)

REV. 01/09