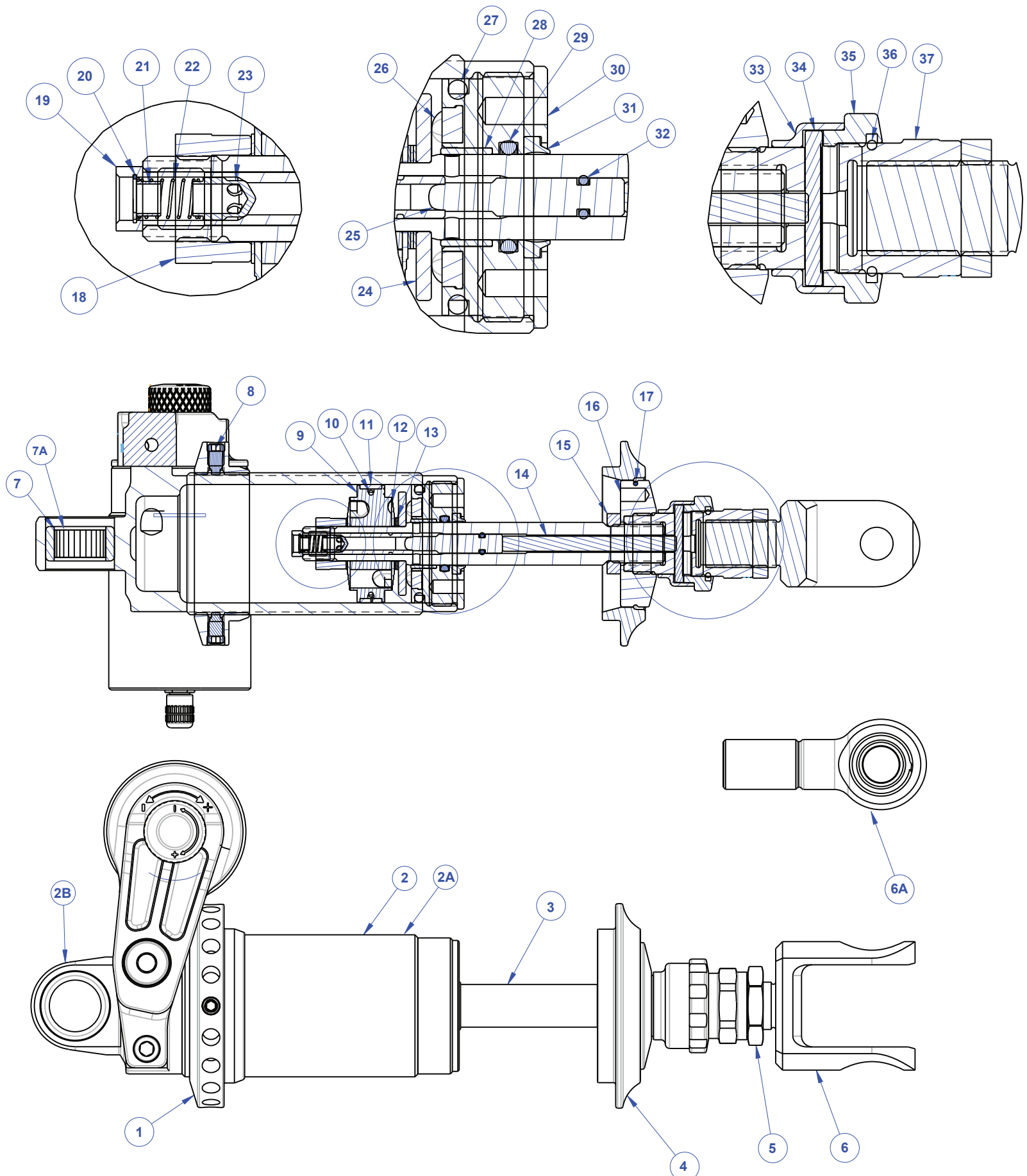


8983 Series Double Adjustable Motorcycle Shock

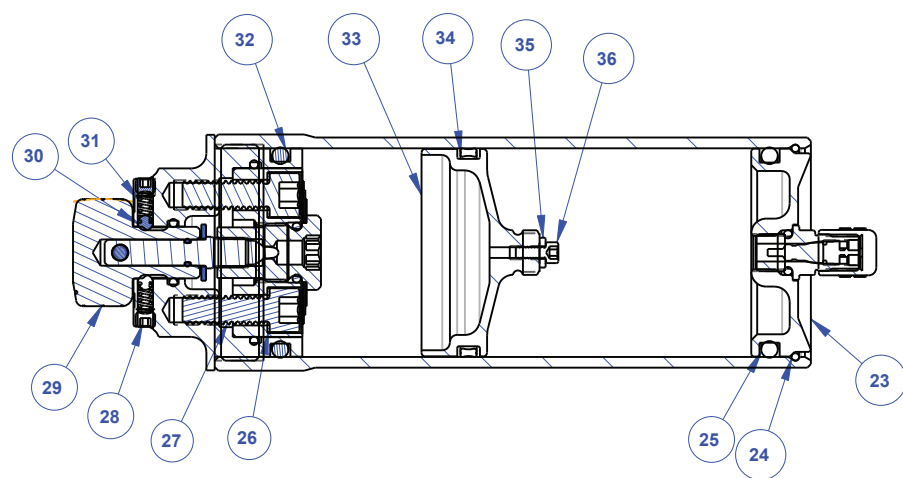
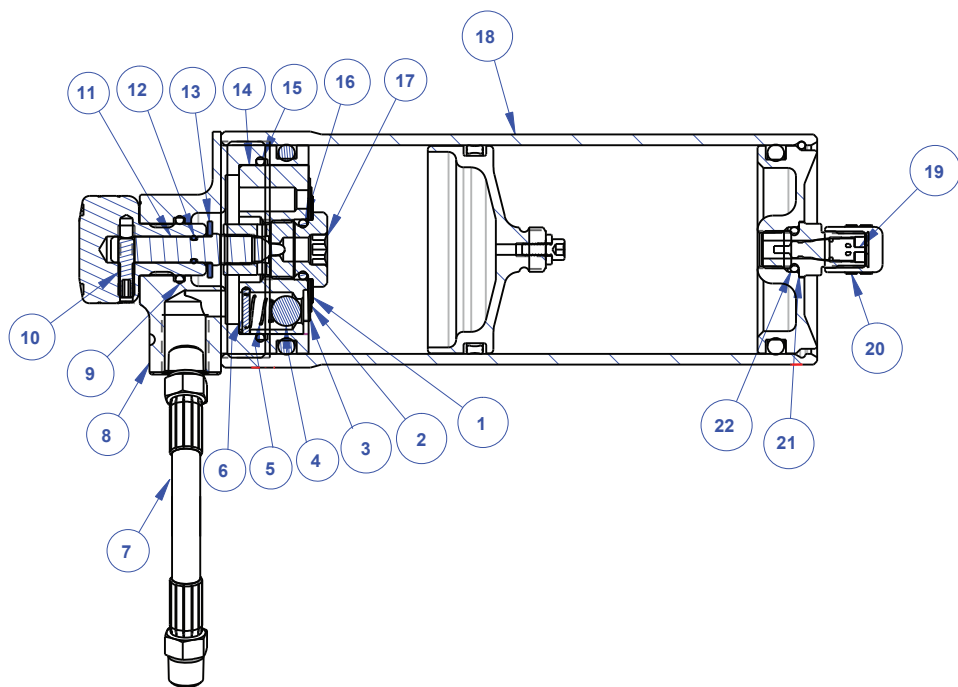
| ITEM NO. | PART NO. | DESCRIPTION | ITEM NO. | PART NO. | DESCRIPTION |
|----------|--------------|--|----------|----------------|-------------------------------------|
| * | AS-89SB | SHAFT BEARING ASSEMBLY (ITEMS 26 - 31) | 8 | SC-M6M8-S | SCREW, SHCS M6 X 8MM STEEL W/NYLON |
| * | AS-89KBPLAT | REBOUND ADJUSTER ASSEMBLY (ITEMS 16 - 17, 33 - 37) | 9 | PI- | PISTON |
| 1 | RH-8983 | RIDE HEIGHT, 8300 2.25 | 10 | OR-2028-B | O-RING, 2-028 BUNA 70 DURO |
| 2 | BD-89R6 | BODY, 1 PC 5.475, 2006 R6 PIGGYBACK (YAMAHA R6 ONLY) | 11 | PB-55 | PISTON BAND, 55MM |
| 2A | BD-83 | BODY, 8300 C/O 10"- 24"ALUMINUM | 12 | VS- | VALVE STACK, (AA-F) |
| 2B | BC-830 | BODYCAP, 8300 0° (REMOTE ONLY) | 13 | VW-75020 | WASHER, .750 X .020 X .500 VALVE |
| | BC-8390 | BODYCAP, 8300 90° (REMOTE ONLY) | 14 | MR-ROD | METERING ROD |
| | BC-83CL | BODYCAP, 8900 CLEARANCE (REMOTE ONLY) | 15 | NT-04J | JAM NUT, .625 X 18 |
| | BC-89PB | BODY CAP, 8900 (PIGGYBACK ONLY) | 16 | SR-89SRM | SPRING RETAINER, 8900 MOUNT |
| | BC-89PB-GSXR | BODY CAP, 8900 GSXR 2006 (PIGGYBACK ONLY) | 17 | RR-06 | WIRE RING, .0625 WIRE DIAM. X 1.900 |
| 3 | SH- | SHAFT, ADJ 10"- 24" | 18 | NT-02R | RING NUT, .500 X 20, .440 LONG |
| 4 | SR-89225 | SPRING RETAINER, 8900 2.25 | 19 | JT-RDHSNG | JET, RD STRAIGHT THRU |
| 5 | NT-06J | JAM NUT, .6875 X 20 | | JT-76RD | JET, REBOUND (ITEMS 19 - 23) |
| 6 | CL-89R6 | CLEVIS 2008 R6 (YAMAHA R6 ONLY) | 20 | RR-05 | RETAINING RING, .250 INTERNAL |
| | CL-8946 | CLEVIS, 2.325 X 1.195 X 10MM | 21 | JT-76HAT | JET, TOP HAT |
| | CL-8948 | CLEVIS, 2.325 X 1.195 X 12MM | 22 | SP-15 | SPRING, (FF71) |
| | CL-8951 | CLEVIS, 2.500 X 1.275 X 10MM | 23 | JT-76POP | JET, POPPET |
| | CL-8960 | CLEVIS, 2.325 X 1.195 X 10MM | 24 | VW-99 | TOP OUT PLATE, 1.375 X .500 |
| | CL-8962 | CLEVIS, 2.525 X 1.585 X 12MM | 25 | NE-76 | NEEDLE, 8760 |
| | CL-8964 | CLEVIS, 2.575 X 1.195 X 10MM | 26 | BR-37 | BUMP RUBBER, TOP OUT (RED) |
| | CL-8966 | CLEVIS, 2.575 X 1.195 X 10MM X 5° | 27 | OR-2221-B | O-RING, 2-221 BUNA 70 DURO |
| 6A* | EY-891775 | EYELET, 8900 RHA | 28 | BU-10DU06 | BUSHING, DU .625 X .375 |
| | EY-892175-A | EYELET, 8900 RHA | 29 | OR-2114-V | O-RING, 2-114 VITON 75 DURO |
| | EY-892175-S | EYELET, 8900 RHA STEEL | 30 | SB-89 | SHAFT BEARING, 8900 |
| | EY-893050 | EYELET, 8900 RHA | 31 | SL-09 | SHAFT WIPER, .625 POLY (BLUE) |
| | EY-89RC45 | EYELET, 8900 RC45 | 32 | OR-2007-B | O-RING, 2-007 BUNA 70 DURO |
| Incl.* | MO-8T20 | MONOBALL, .500 ID X .875 OD | 33 | CP-76RD | CAP, RD ADJUSTER |
| | RR-10 | RETAINING RING, .875 SPIROLOC | 34 | DO-09 | DOWEL PIN, 1/8 X 1 1/8 |
| 7 | MO-5128 | MONOBALL, NEEDLE ROLLER BEARING | 35 | KN-89RD | KNOB, 8900 PLATFORM RD RED |
| 7A* | MO-8T | MONOBALL, .500 ID X 1.00" OD | 36 | OR-2021-B | O-RING, 2-021 BUNA 70 DURO |
| Incl.* | RR-16 | RETAINING RING, 1.025 SPIROLOC, STAINLESS | 37 | SM-89KB | SHAFT MOUNT, 8900 KNOB PLATFORM |



8983 Remote Compression Adjuster

| ITEM NO. | PART NO. | DESCRIPTION |
|----------|--------------|--|
| * | AS-76RESCAP | RESERVOIR CAP ASSEMBLY (ITEMS 19 - 23, 25) |
| * | AS-83 | HOUSING ASSEMBLY (SIDE / TOP) (ITEMS 1 - 6, 8 - 17, 26 - 32) |
| 1 | VW-90012 | WASHER, .900 X .012 X .500 VALVE |
| 2 | VW-105012 | WASHER, 1.050 X .012 X .500 VALVE |
| 3 | VW-120012 | WASHER, 1.200 X .012 X .500 VALVE |
| 4 | BA-250-ST | BALL, 1/4 STEEL |
| 5 | SP-10 | SPRING, (TA2086) |
| 6 | DO-06 | DOWEL PIN, 1/16 X 3/8 |
| 7 | HO-83 | HOSE, 8300 (6"-36") |
| 8 | HG-76SIDE | HOUSING, 8760 SIDE |
| | HG-76TOP | HOUSING, 8760 TOP |
| 9 | OR-2013-V | O-RING, 2-013 VITON 70 DURO |
| 10 | SC-91 | SCREW, SOCKET SET 6-32 X .500" |
| 11 | SC-83LS | SCREW, 8300 CD ADJUSTER |
| 12 | OR-4MMX1MM-B | O-RING, 4 MM X1 MM BUNA |
| 13 | VW-83CD | WASHER, 8300 CD ADJUSTER |
| 14 | PI-83CD | PISTON, 8300 CD ADJUSTER |
| 15 | OR-2028-B | O-RING, 2-028 BUNA 70 DURO |
| 16 | OR-2012-B | O-RING, 2-012 BUNA 70 DURO |

| ITEM NO. | PART NO. | DESCRIPTION |
|----------|-----------|-------------------------------------|
| 17 | JT-83LS | JET, 8300 CD ADJUSTER |
| 18 | RB-76 | RESERVOIR BODY, (4" - 7") |
| 19 | IU-04 | VALVE CORE, 2000 PSI |
| 20 | IU-06 | VALVE CAP, HIGH TEMPERATURE |
| 21 | IU-20-A | AIR VALVE, PORT O-RING, ALUM. |
| 22 | OR-2010-B | O-RING, 2-010 BUNA 70 DURO |
| 23 | CP-76 | CAP, RESERVOIR PORT O-RING |
| 24 | RR-06 | WIRE RING, .0625 WIRE DIAM. X 1.900 |
| 25 | OR-2222-B | O-RING, 2-222 BUNA 70 DURO |
| 26 | VW-01-C | CRUSH WASHER, .25 ID. COPPER |
| 27 | SC-06 | SCREW, 1/2-20 X 3/4 |
| 28 | SC-08 | SCREW, SOCKET SET8/32 X 1/8 |
| 29 | KN- 83LS | KNOB, 8300 CD ADJUSTER |
| 30 | BA-125-ST | BALL, 1/8 STEEL |
| 31 | SP-14 | SPRING, (A109) |
| 32 | OR-2222-B | O-RING, 2-222 BUNA 70 DURO |
| 33 | PI-76 | PISTON, 8760 RESERVOIR |
| 34 | OR-4222-B | QUAD RING,4-222 BUNA 70 DURO |
| 35 | SL-87 | SEAL, DOWTY |
| 36 | SC-18 | SCREW, SHCS 4-40 X1/4 |



8983 Piggyback Compression Adjuster

| ITEM NO. | PART NO. | DESCRIPTION |
|----------|----------------|---|
| * | AS-89RCAP | RESERVOIR CAP ASSEMBLY (ITEMS 18 - 19, 31 - 33, 35) |
| * | AS-83PB-R6 | HOUSING ASSEMBLY, R6 (ITEMS 3 - 13, 20 - 30, 36, 40) |
| | AS-83CHPB-GSXR | HOUSING ASSEMBLY, GSXR (ITEMS 3 - 13, 20 - 30, 36, 40) |
| | AS-8983PB | HOUSING ASSEMBLY, PIGGYBACK (ITEMS 3 - 13, 20 - 30, 36, 40) |
| | AS-83CHPB | HOUSING ASSEMBLY, PIGGYBACK (ITEMS 3 - 13, 20 - 30, 36, 40) |
| 1 | RB-89325 | RESERVOIR BODY, 3.25" |
| 2 | PB-55 | PISTON BAND, 55MM |
| 3 | OR-2222-B | O-RING, 2-222 BUNA 70 DURO |
| 4 | PI-83CD | PISTON, 8300 CD ADJUSTER |
| 5 | SC-08 | SCREW, SOCKET SET8/32 X 1/8 |
| 6 | SP-14 | SPRING, (A 10-9) (R6 HOUSING) |
| | SP-12 | SPRING, (3648) (PB OR GSXR HOUSING) |
| 7 | BA-125-ST | BALL, 1/8 STEEL |
| 8 | SC-83LS | SCREW, 8300 CD ADJUSTER |
| 9 | SC-06 | SCREW, 1/2-20 X 3/4 |
| 10 | VW-01-C | CRUSH WASHER, .25 ID. COPPER |
| 11 | VW-120012 | WASHER, 1.200 X .012 X .500 VALVE |
| 12 | VW-105012 | WASHER, 1.050 X .012 X .500 VALVE |
| 13 | VW-90012 | WASHER, .900 X .012 X .500 VALVE |
| 14 | OR-4223-B | QUAD RING,4-223 BUNA 70 DURO |
| 15 | PI-89MX | PISTON, RESERVOIR 8900 PB |
| 16 | SL-87 | SEAL, DOWTY |
| 17 | SC-18 | SCREW, SHCS 4-40 X1/4 |
| 18 | CP-89R | CAP, 8900 RESERVOIR |
| 19 | IU-06 | VALVE CAP, HIGH TEMPERATURE |

| ITEM NO. | PART NO. | DESCRIPTION |
|----------|-----------------|--|
| 20 | JT-83LS | JET, 8300 CD ADJUSTER |
| 21 | OR-2012-B | O-RING, 2-012 BUNA 70 DURO |
| 22 | OR-2028-B | O-RING, 2-028 BUNA 70 DURO |
| 23 | VW-83CD | WASHER, 8300 CD ADJUSTER |
| 24 | OR-4MMX1MM-B | O-RING, 4 MM X1 MM BUNA (R6 OR PB HOUSING) |
| 25 | OR-2013-V | O-RING, 2-013 VITON 70 DURO |
| 26 | SC-91 | SCREW, SOCKET SET 6-32 X .500" |
| 27 | KN- 83LS | KNOB, 8300 CD ADJUSTER |
| 28 | DO-06 | DOWEL PIN, 1/16 X 3/8 |
| 29 | SP-10 | SPRING, (TA2086) |
| 30 | BA-250-ST | BALL, 1/4 STEEL |
| 31 | IU-20-A | AIR VALVE, PORT O-RING, ALUM. |
| 32 | IU-04 | VALVE CORE, 2000 PSI |
| 33 | OR-2010-B | O-RING, 2-010 BUNA 70 DURO |
| 34 | RR-06 | WIRE RING, .0625 WIRE DIAM. X 1.900 |
| 35 | OR-2223-B | O-RING, 2-223 BUNA 70 DURO |
| 36 | HG-89PB-R6 | HOUSING, 8900 CD PIGGYBACK R6 |
| | HG-89PB-GSXR | HOUSING, 8900 CD PIGGYBACK GSXR |
| | HG-89PB | HOUSING, 8900 CD PIGGYBACK |
| | HG-76PB55 | HOUSING, PIGGYBACK 55MM |
| 37 | OR-7MMX1.5MM-B | O-RING, 7 MM X 1.5 MM, BUNA |
| 38 | OR-10MMX1.5MM-B | O-RING, 10 MM X 1.5 MM, BUNA |
| 39 | SC-89PB | SCREW, BANJO BOLT |
| 40 | FT-218-AL | LEE PLUG, .218 SHORT ALUMINUM |
| | FT-29-SS | LEE PLUG, .187 SHORT S.S. (PB HOUSING) |
| 41 | SC-90 | SCREW, SHCS 1/4-20 X.625 STAINLESS |

