

 **ONAGER**

ONAGER ONE 70500 TELESCOPE

Please follow these instructions carefully to properly install your telescope before use.

Setup Instructions:

1. Install the tripod

Carefully unfold and extend each leg. Place the tripod on level ground and check that it's stable. Place the circular accessory tray at the centre between the legs. Ensure the legs are locked into place before installing the telescope.

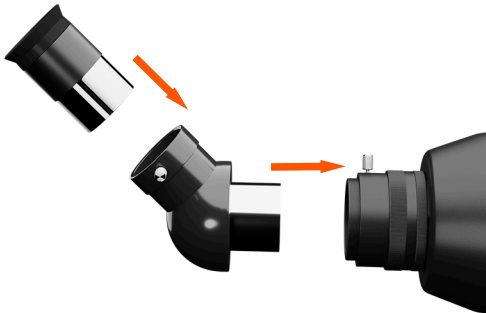
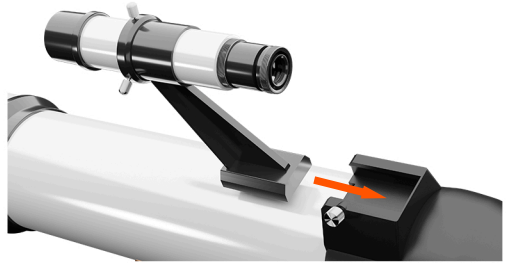


2. Attach the telescope barrel

Loosen the screws on the tripod slot and gently screw in the telescope attachment plate. Tighten the screw to ensure the attachment plate is securely fitted.

3. Attach the finderscope

Loosen the two screws on the barrel and install the finderscope. Tighten screws. Look through the finderscope to confirm you can see the in-built crosshairs.

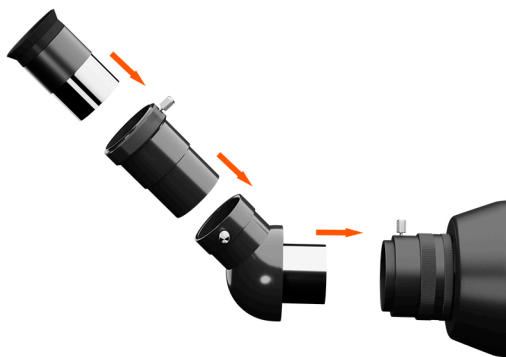


4. Install the erecting lens and eyepiece

Remove the dust cap from the end of the telescope barrel. Loosen both screws and insert the erecting lens. Tighten screws gently. Insert either the 10mm or 25mm eyepiece.

5. Install barlow lens (optional)

The barlow lens adds another layer of magnification. To install, simply place it between the eyepiece and the erecting lens.



6. Install phone stand (optional)

Great for taking pictures and easier on the neck, the phone stand is a great piece of equipment for prolonged viewing. Carefully screw the frame of the stand to the eyepiece and place the phone in the holder. Align your phone's camera over the eyepiece until you can see your target.

Care Instructions:

- Always immediately replace cap once done.
- Always store your telescope in a dry, well ventilated area.
- Clean the lens as little as possible, but if you must, only use a camel hair brush or air blower.
- Never use cleaning chemicals as they may permanently damage the lens.



For more information, along with some observational tips and tricks for viewing the moon and planets, please visit onager.space or simply scan the QR code.