

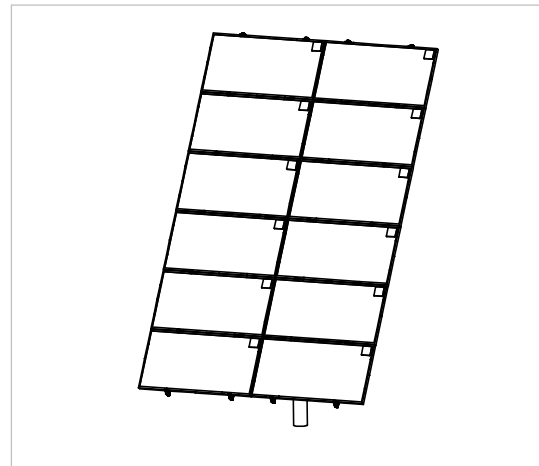
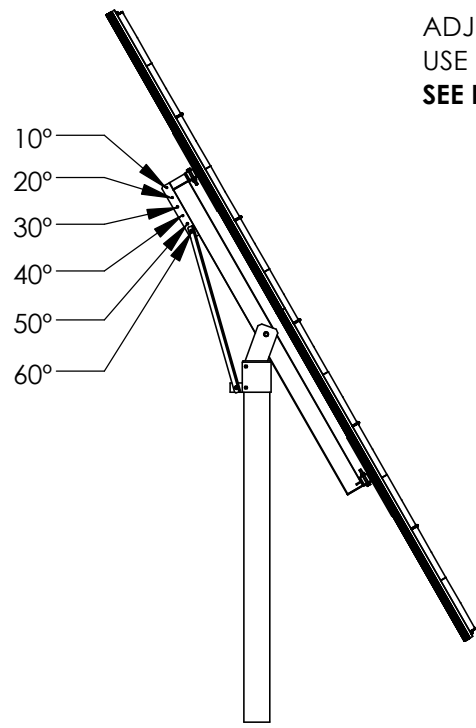
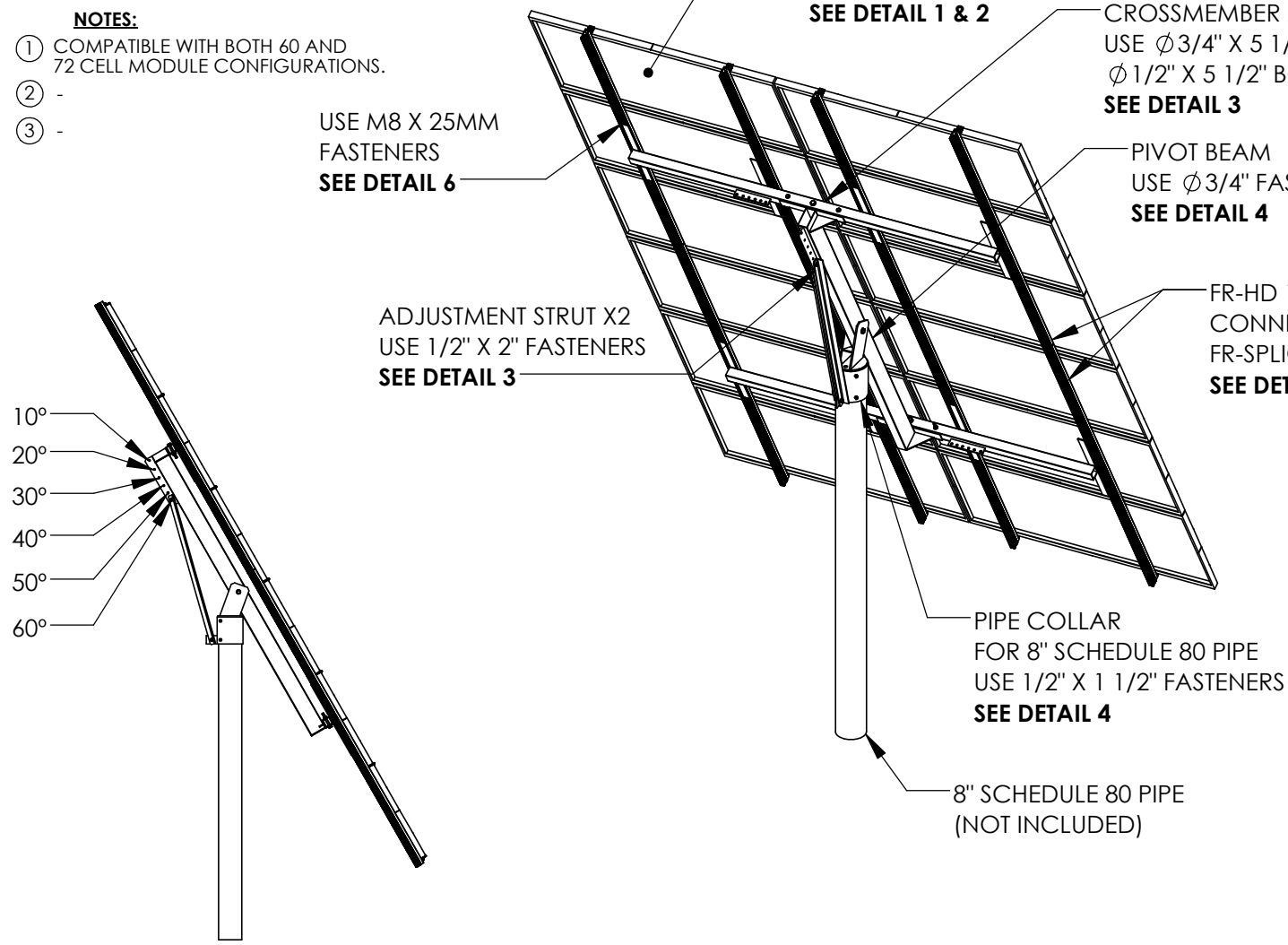
NOTE:
 -INSTALLER IS RESPONSIBLE FOR PROPER
 INSTALLATION AND FOUNDATION BASED
 ON SITE WIND LOADING AND LOCAL BUILDING CODES.
 -SUBJECT TO LOCAL STRUCTURAL ENGINEERING APPROVAL

NOTE:
 -TO BE WIRED BY QUALIFIED TECHNICIAN
 IN ACCORDANCE WITH LOCAL ELECTRICAL CODES.

REVISIONS				
REV.	DESCRIPTION	DATE	BY	APPROVED
-	INITIAL RELEASE	04/05/17	CTM	

NOTES:

- ① COMPATIBLE WITH BOTH 60 AND 72 CELL MODULE CONFIGURATIONS.
- ② -
- ③ -



H.E.S. PV

84 MORROW RD.
 BARRIE, ON L4N 3V8
 1-866-258-0110
 WWW.HESPV.COM

PROJECT:
 -
 USED ON ASSY: -
 CLONE FROM: -

UNLESS OTHERWISE SPECIFIED:
 DIMENSIONS ARE IN INCHES
 TOLERANCES:
 FRACTIONAL ± 1/16
 ANGULAR: MACH ± BEND ±
 TWO PLACE DECIMAL ± 0.06
 THREE PLACE DECIMAL ± 0.03
 INTERPRET GEOMETRIC
 TOLERANCING PER:
 MATERIAL:
 FINISH:

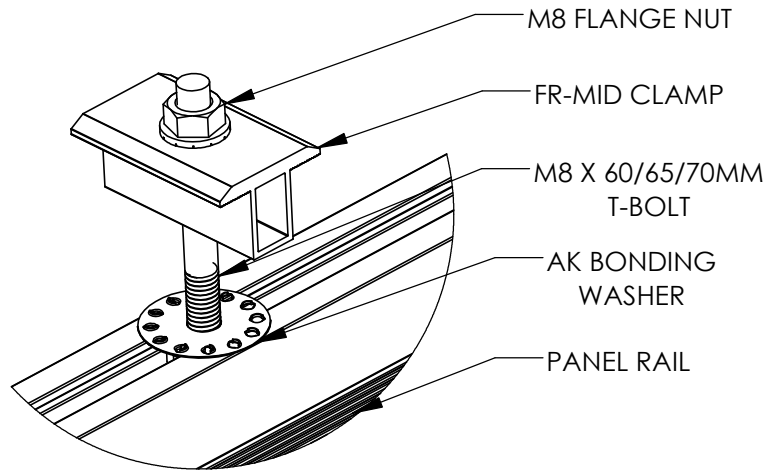
	NAME	DATE
DRAWN	CTM	04/05/17
CHECKED	-	-
ENG APPR.		
MFG APPR.		
Q.A.		

TITLE: FR-TPM12-60/72C

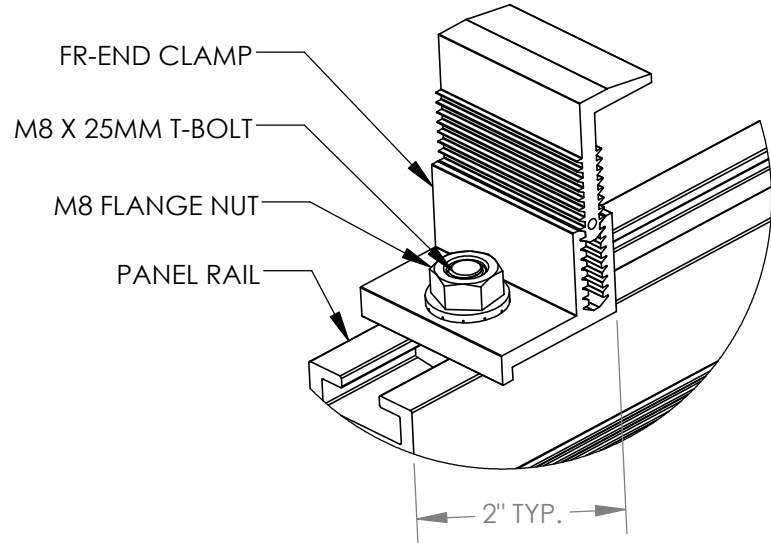
DWG. NO. **105073** REV -

SCALE: NTS SHEET SIZE: **A** SHEET 1 OF 5

FAST RACK CLAMP SUB-ASSEMBLIES

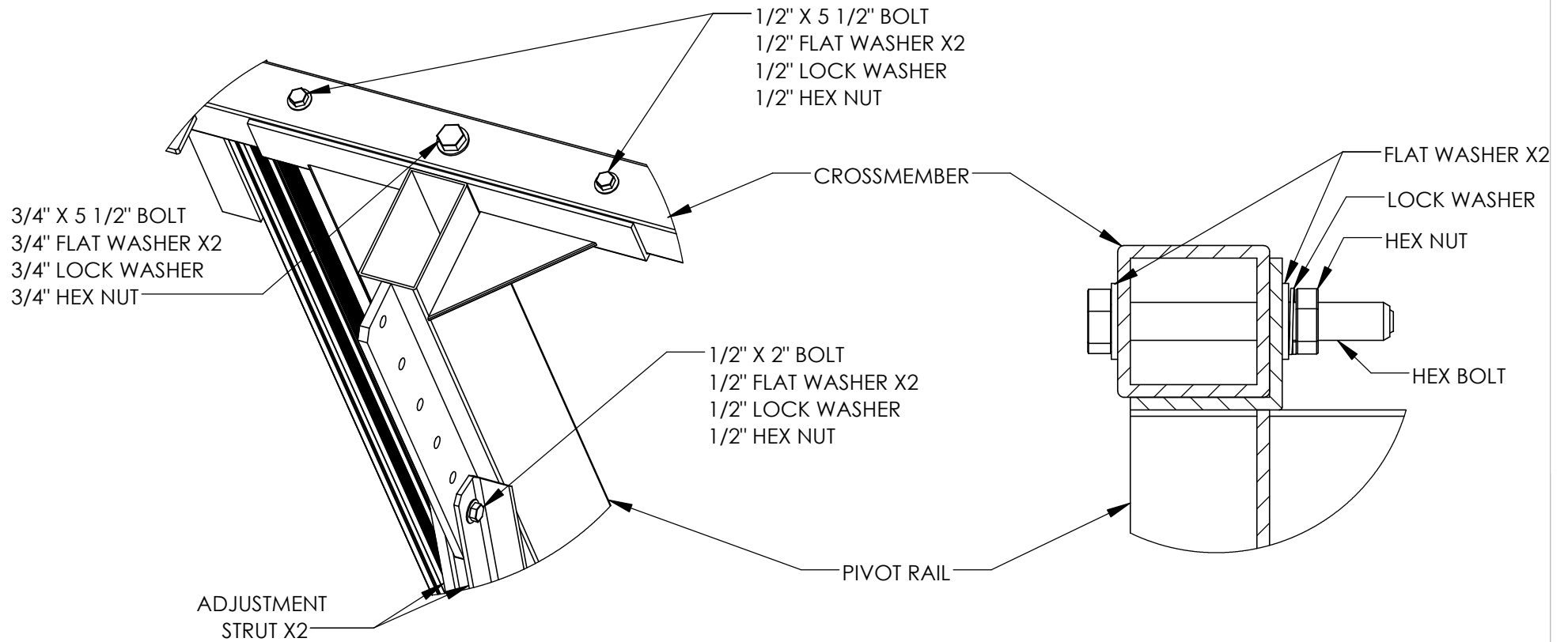


DETAIL 1
FR-MID CLAMP



DETAIL 2
FR-END CLAMP

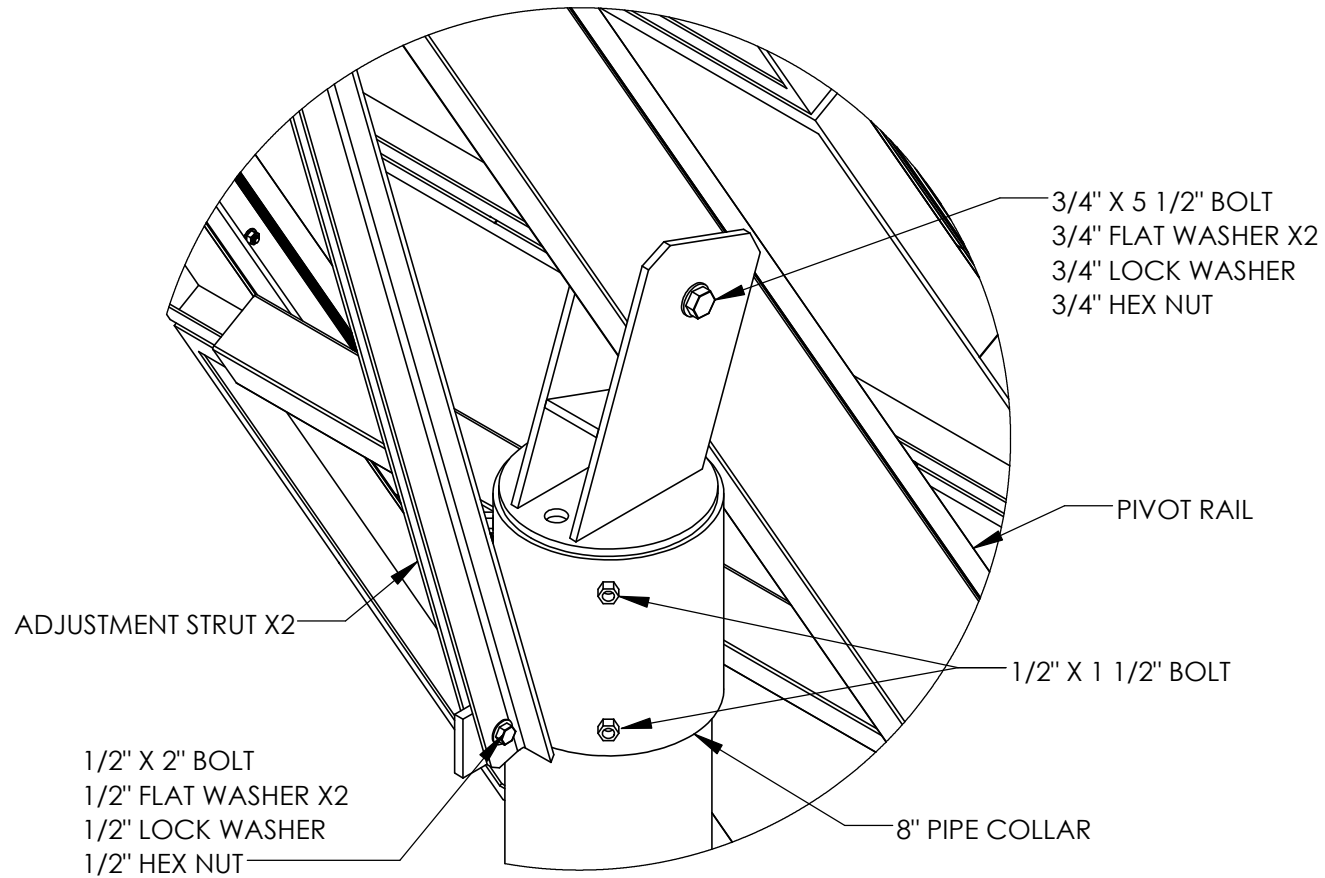
H.E.S. PV		UNLESS OTHERWISE SPECIFIED:		NAME	DATE	TITLE: FR-TPM12-60/72C	
84 MORROW RD. BARRIE, ON L4N 3V8 1-866-258-0110 WWW.HESPV.COM		PROJECT: -		DIMENSIONS ARE IN INCHES		DRAWN	
				TOLERANCES:		CTM	04/05/17
PROPRIETARY AND CONFIDENTIAL <small>THE INFORMATION CONTAINED IN THIS DRAWING IS THE SOLE PROPERTY OF HOME ENERGY SOLUTIONS. ANY REPRODUCTION IN PART OR AS A WHOLE WITHOUT THE WRITTEN PERMISSION OF H.E.S. PV IS PROHIBITED.</small>		<small>FRACTIONAL ± 1/16 ANGULAR: MACH ± BEND ± TWO PLACE DECIMAL ± 0.06 THREE PLACE DECIMAL ± 0.03</small>		CHECKED		DWG. NO.	
				ENG APPR.		105073	
USED ON ASSY:		-		MFG APPR.		SCALE: NTS SHEET SIZE: A SHEET 2 OF 5	
CLONE FROM:		-		Q.A.			
		MATERIAL:					
		FINISH:					



DETAIL 3

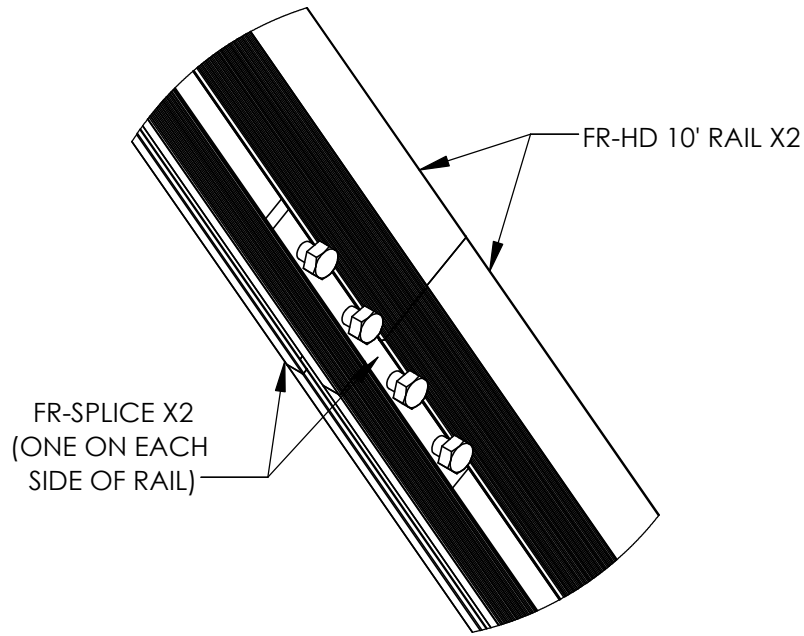
DETAIL 3A
 $\phi 1/2"$ & $\phi 3/4"$
 CROSSMEMBER FASTENERS

H.E.S. PV		UNLESS OTHERWISE SPECIFIED:		NAME	DATE	TITLE: FR-TPM12-60/72C		
84 MORROW RD. BARRIE, ON L4N 3V8 1-866-258-0110 WWW.HESPV.COM		DIMENSIONS ARE IN INCHES TOLERANCES: FRACTIONAL $\pm 1/16$ ANGULAR: MACH \pm BEND \pm TWO PLACE DECIMAL ± 0.06 THREE PLACE DECIMAL ± 0.03 INTERPRET GEOMETRIC TOLERANCING PER:		DRAWN	CTM	04/05/17	DWG. NO. 105073	
PROJECT: -		MATERIAL:		CHECKED	-	-		REV -
USED ON ASSY: -		FINISH:		ENG APPR.				
CLONE FROM: -				MFG APPR.				
				Q.A.			SCALE: NTS	
							SHEET SIZE: A	
							SHEET 3 OF 5	

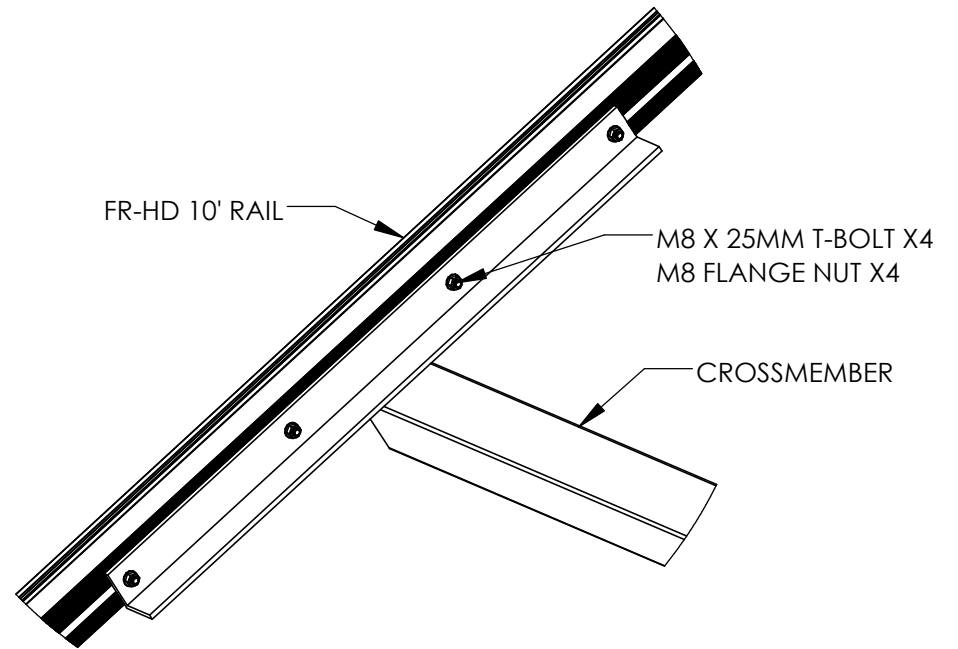


DETAIL 4

H.E.S. PV		UNLESS OTHERWISE SPECIFIED: DIMENSIONS ARE IN INCHES TOLERANCES: FRACTIONAL $\pm 1/16$ ANGULAR: MACH \pm BEND \pm TWO PLACE DECIMAL ± 0.06 THREE PLACE DECIMAL ± 0.03 INTERPRET GEOMETRIC TOLERANCING PER:		NAME	DATE	TITLE: FR-TPM12-60/72C		
84 MORROW RD. BARRIE, ON L4N 3V8 1-866-258-0110 WWW.HESPV.COM		PROJECT:		DRAWN	CTM	04/05/17	DWG. NO. 105073	
				CHECKED	-	-		REV -
PROPRIETARY AND CONFIDENTIAL THE INFORMATION CONTAINED IN THIS DRAWING IS THE SOLE PROPERTY OF HOME ENERGY SOLUTIONS. ANY REPRODUCTION IN PART OR AS A WHOLE WITHOUT THE WRITTEN PERMISSION OF H.E.S. PV IS PROHIBITED.		USED ON ASSY:	-	ENG APPR.				
		CLONE FROM:	-	MFG APPR.				
				FINISH:	Q.A.		SCALE: NTS	
							SHEET SIZE: A	
							SHEET 4 OF 5	



DETAIL 5



DETAIL 6

H.E.S. PV

84 MORROW RD.
BARRIE, ON L4N 3V8
1-866-258-0110
WWW.HESPV.COM

PROJECT:

-

USED ON ASSY:

-

CLONE FROM:

-

UNLESS OTHERWISE SPECIFIED:

DIMENSIONS ARE IN INCHES
TOLERANCES:

FRACTIONAL $\pm 1/16$
ANGULAR: MACH \pm BEND \pm
TWO PLACE DECIMAL ± 0.06
THREE PLACE DECIMAL ± 0.03

INTERPRET GEOMETRIC
TOLERANCING PER:

MATERIAL:

FINISH:

NAME

DATE

TITLE: FR-TPM12-60/72C

DRAWN

CTM

04/05/17

CHECKED

-

-

ENG APPR.

MFG APPR.

Q.A.

DWG. NO.

105073

REV

-

SCALE: NTS

SHEET SIZE: A

SHEET 5 OF 5