

TAGWOOD™ BBQ

STYLED TO PERFECTION, CREATED TO LAST, BORN TO GRILL

Freestanding charcoal grill / Parrilla a carbón de pie



For Assembly video / Para
video de Montaje:



Model / Modelo
BBQ03SS



Visit us



 **AN EXCELLENT CHOICE**

Thank you for choosing TAGWOOD BBQ charcoal grill, a product made of high-quality materials and with high attention to details. We prepared this manual thinking about you and your family. Here are some very simple instructions so that you and your family can enjoy all the advantages that our product offers, in addition to its safety.

Please read all instructions and safety warnings on this manual thoroughly as you will find useful product information, warnings, and cautions.

IMPORTANT: We have done our best to give you detailed and accurate instructions on how to assemble this product. If in doubt, consult qualified personnel to assemble this product or contact us directly.

The company is not responsible for any difficulty and / or problem arising from the interpretation of the instructions contained in this manual. The grill and all its parts must be used only for the purposes in this manual. Both the Company and distributors and / or representatives are not responsible for any type of damage, either to people and/or property, directly or indirectly, due to the inability to use this product safely and for which it was designed and manufactured.

If you have any questions that are not indicated in these instructions, or for service, assembly or operation information, you can contact us at: +1 (786) 999 - 2568, or via e-mail by writing to: info@tagwoodbbq.com.

Before doing so, remember to locate the serial number on the interior part of the side table.

Before returning your purchased product, please contact us for assistance.

PLEASE carefully read all safety instructions and warnings in detail **BEFORE** assembling and operating your grill and check if it is properly assembled and maintained. Failure to follow these instructions may result in serious body injury and/or property damage.

IMPORTANT SAFETY WARNINGS

IN CASE OF AN EMERGENCY, ALWAYS CALL 911 FIRST. Please keep in mind that major causes of grill fires are a result of poor maintenance and failure to maintain a required distance from the grill and combustible and non-combustible materials and products. If uncontrolled fire occurs, always call 911 or Fire Department first.



**HOT SURFACES.
HEAT RESISTANT SAFETY GLOVES REQUIRED.**

WARNING: This grill is for outdoor use **ONLY**. Do not use on unventilated areas.

WARNING: While all care has been taken to remove sharp edges, care must be taken when cleaning, assembling, or handling the grill to prevent risk of injury from exposed metal edges.

Use caution when moving the grill to prevent injuries.

Ensure the grill is completely cool to the touch before moving.

Do not place anything flammable on the under shelf or products that can melt.

This product is not recommended for people with reduced phys-

ical, sensory, or mental capabilities, or lack of experience and knowledge, unless they are under direct supervision or instruction by a person responsible for their safety.

To ease assembling and avoid injury, use 3 people when assembling when it is in its original box.

If missing any parts or damaged, do not attempt to assemble. Do not store children's items of interest in the grill. Combustion by-products produced when using this product contain chemicals known to the State of California to cause cancer, birth defects or other reproductive harm. For more information please visit www.p65Warnings.ca.gov We recommend, in case you need to move or relocate the product, hire suitable personnel for the transfer. Avoid disassembling the product, and once relocated, it is necessary to readjust all the parts and screws again. These warnings apply to all our products and accessories sold under our brand.

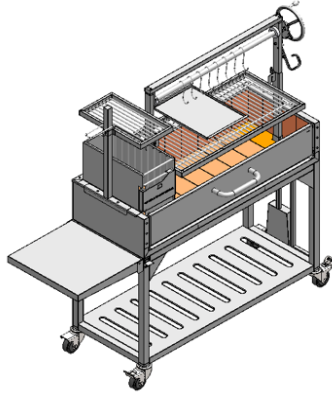
GRILL LOCATION WARNINGS

Do not place the grill on any surface that is unable to safely support the weight of the grill or it may cause it to be unstable. This grill should be used and placed on a non-combustible surface. Keep the grill at least 18ft from any combustible and non-combustible material (decks, buildings, fences, trees, bushes, etc) from all sides and above. Keep in mind the wind conditions to add clearance/distance accordingly. Do not place the grill near flammable liquids, gases, or where flammable vapors may be present. Place this grill on an area protected from the wind.

OPERATION WARNINGS

Do not use gasoline, kerosene, or alcohol for lighting charcoal. Use of any of these or similar products could cause an explosion possibly leading to severe body injury. Do not leave a grill lit unattended. It must be supervised by a responsible adult at any time. Keep children and pets away from the grill as many parts can be hot and can cause severe burns. When adding charcoal and/or wood, use extreme caution. Never add charcoal lighting fluid to hot or even warm coals as flashback and explosion may occur. Never move the grill when it is in use or when it contains hot coals or ashes. Be cautious as flames and sparks may flare-up. Keep hands, face, and body safe from hot steam and flame flare ups.

To avoid injuries and protect hands use heat resistant globes or oven mitts while cooking or touching any part of the grill. Always open or close the front door holding from its handle as the door can get extremely hot. Never leave coals and ashes unattended. Before leaving the grill, coals and ashes must be removed or not burning any longer. Handle small grate, griddle, meat hooks, shovel, and coal rake with extreme caution and with heat resistant gloves or oven mitts since they can get hot and cause injuries. You should clean and maintain your grill after and before every use. Do not place the coal rake and shovel on the grill while using the grill, as they heat up, and could cause severe burns. Always place them on another surface that does not heat up to be able to use on grill. Always place charcoal on top of the refractory bricks. Do not place charcoal directly on the bottom of the grill. Do not place coals on the front door. Always put them on the firebricks. Do not grill in high winds. Do not wear clothing with loose flowing sleeves or allow hair to hang freely while lighting or using the grill. Never allow children to operate the grill. Do not burn manufactured logs, driftwood, trash, leaves, paper, cardboard, plywood, painted or stained or pressure treated wood. Avoid using softwoods such as pine or cedar that can throw sparks. Be cautious because winds can cause unexpected flare-ups and blow hot embers from the fire resulting in body injury or property damage. When using, never lean on any part of the grill. The use of alcohol, prescription drugs, non-prescription drugs, or illegal drugs, may impair the consumer's ability to properly and safely assemble, move, store, or operate the grill. Dump ashes or charcoal only when they are completely extinguished and out. Do not store the grill before ashes and coals are completely out. Do not heat unopened food containers on any part of the grill. The buildup of pressure resulting from the heat may cause the container to burst. Always wear closed shoes as hot coals or sparks may fall from the grill and cause burns or injuries.



For Assembly video



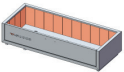
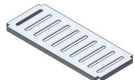












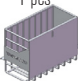






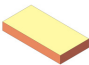
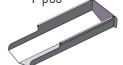


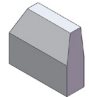

Do not use any power tool















Use Allen key



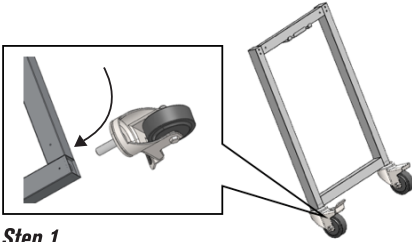
LIST OF PARTS:

- | | | | | | | |
|--|---|---|--|---|--|--|
| 1- Main body
1 pcs
 | 2- Bottom shelf
1 pcs
 | 3- Left legs
1 pcs
 | 4- Right legs
1 pcs
 | 5- Front and back support frame
2 pcs
 | 6- Left support rail
1 pcs
 | 7- Right support rail
1 pcs
 |
| 8- Top support rail
1 pcs
 | 9- Height adjustable system rod
1 pcs
 | 10- Stainless steel cable
2 pcs
 | 11- Main grate frame
1 pcs
 | 12- Main grate
3 pcs
 | 13- Griddle
1 pcs
 | 14- Side table
1 pcs
 |
| 15- Firebox
1 pcs
 | 16- Secondary grate
1 pcs
 | 17- Upright column
1 pcs
 | 18- Square tube
1 pcs
 | 19- Caster without brake
2 pcs
 | 20- Caster with brake
2 pcs
 | 21- Front door handle
1 pcs
 |
| 22- Firebricks
22 pcs
 | 23- Water drain system
1 pcs
 | 24- S shape meat hook
8 pcs
 | 25- Shovel and coal rake
2 pcs
 | 26- Cover
1 pcs
 | 27- Bracket for side table
2 pcs
 | |

Accessory kit:

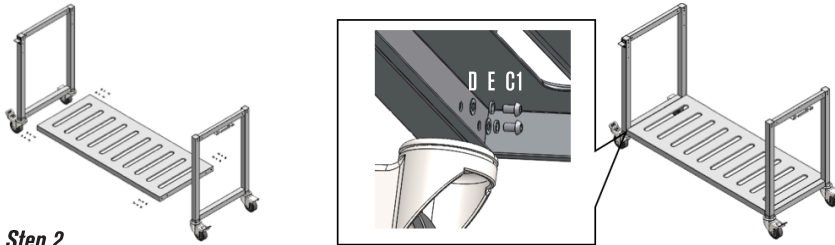
- | | | | | | | | |
|---|--|---|--|--|--|---|--|
| A- Fixing ring
2 pcs
 | B- Cross head screw M4x8
2 pcs
 | C1- Hexagon screws M6*10mm
23 pcs
 | C2- Hexagon screws M6*16mm
2 pcs
 | C3- Hexagon screws M6*25mm
4 pcs
 | C4- Hexagon screws M6*45mm
4 pcs
 | C5- Hexagon screws M6*60mm
12 pcs
 | D- Spring washer
40 pcs
 |
| E- Washer
40 pcs
 | F- Hexagon tighten screw
2 pcs
 | G- 4#/5# Allen key
1/1 pcs
 | H- Ring fixing screw
1 pcs
 | | | | |

Assembly: Before you begin to assemble, carefully remove all protective films while avoiding any scratches to the surface or any parts and whilst protecting the working/assembly area.



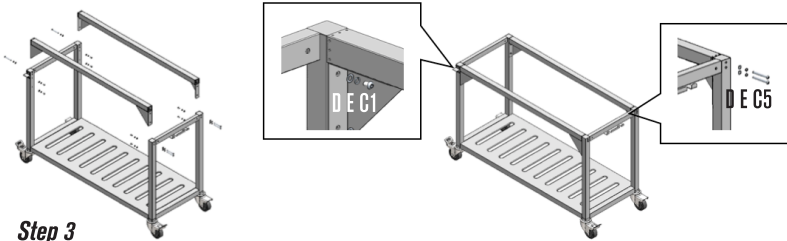
Step 1

Screw the two casters with brakes (12) into lower end of left and right leg sets (3,4). Make sure you do it in the front view as marked. Screw the two casters without brakes (11) into lower end of left and right leg sets (3,4). Make sure you do it in the rear view as marked.



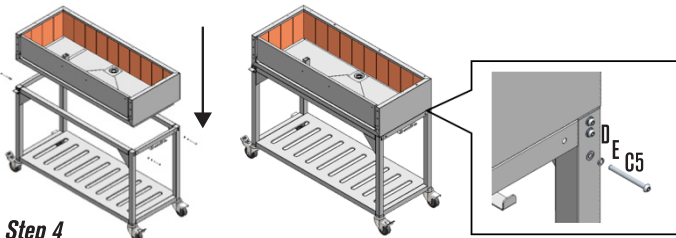
Step 2

Assemble the two sets of legs with the bottom shelf (2) using eight M6*10mm hexagon screws(C1), spring washers(D) and washers(E).



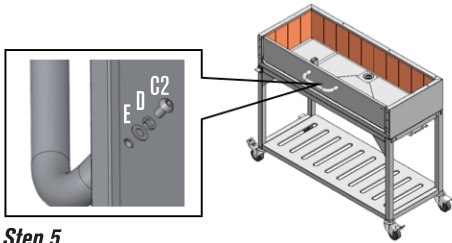
Step 3

Assemble front and back support rail with top of leg sets by eight hexagon screws M6*10mm(C1), spring washer(D) and washer(E) inside and using six hexagon screws M6*60mm(C5), spring washer(D) and washer(E) outside. (Using two screws at the side with bottle opener, and using four screws at the other side).



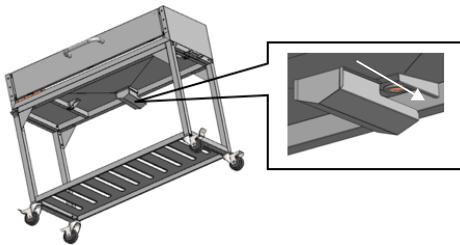
Step 4

Carefully place the main body (1) on the lower structure. Assemble them together by using four M6*60mm hexagon screws(C5), spring washers(D) and washers(E).



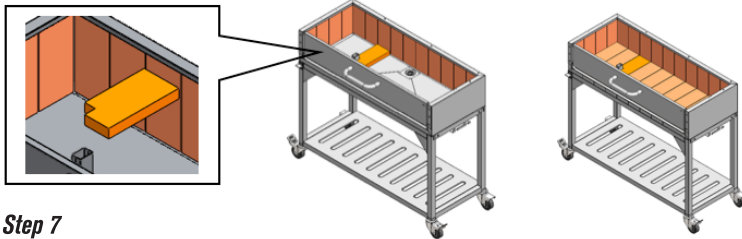
Step 5

Assemble the handle (21) with the front door using two hexagon screw MB*16mm(C2), spring washers(D) and washers(E).



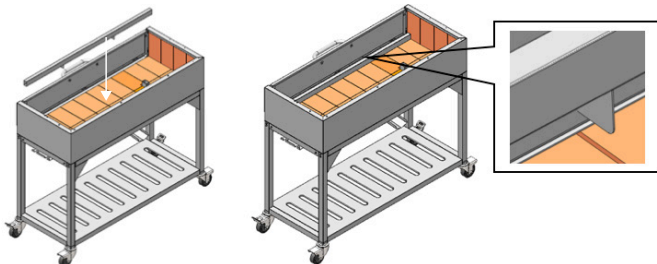
Step 6

Slide the water drain (23) under the drain hole.



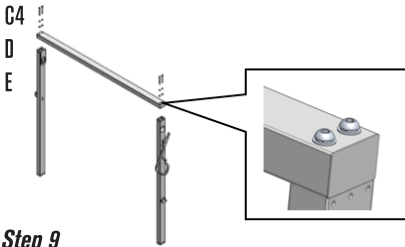
Step 7

Place the firebrick (22) into the body. The firebrick with the chipped corner goes first around the square tube.



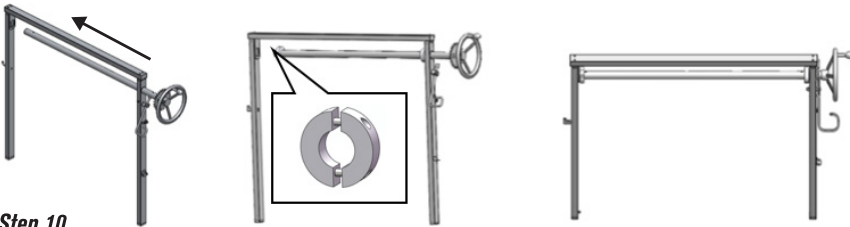
Step 8

Insert the square tube (18) into the main body and height adjustable system handle next to the door.



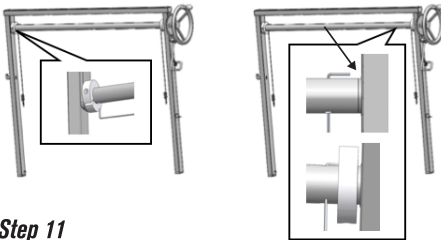
Step 9

Assemble the top support rails for grill (8) with the left (6) and right (7) support rails using four hexagon screw M6*45mm (C4), spring washer (D) and washer (E). Loosely fix each screw at first, you will fix them firmly on a later step.



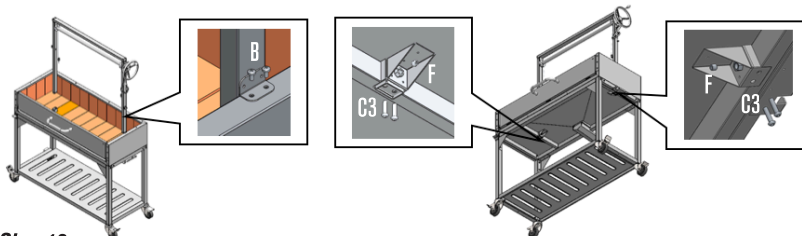
Step 10

Insert the height adjustment system rod (9) into left and right support rail, and then unscrew the two fixing rings (A). Insert them into the rod of the height adjustment system. Then insert the system into left support rail for grille.



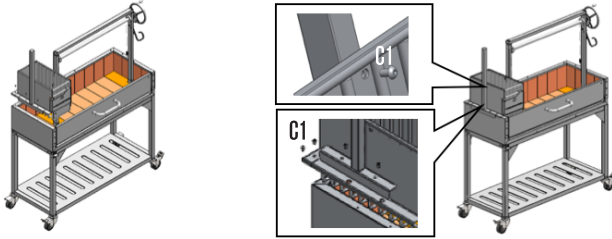
Step 11

Insert the stainless steel wire (10) through two holes at the end of the rod, leave 20mm steel wire outside (there's a bending mark at the end of steel wire), slide it under the fixing ring (A), and tighten the left fixing ring (A) at left side of the hole, and tighten the right fixing ring (A) at the black line mark.



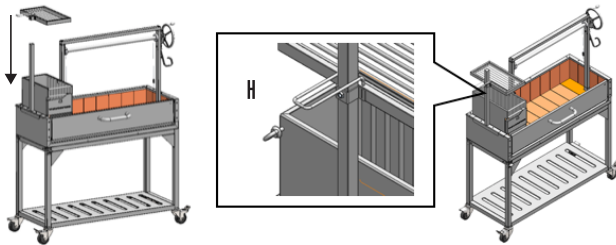
Step 12

Insert the above assembled parts into the main body and fix the right support rail using two M4*8mm (B) at top right side of main body. Fix the end of left and right support rail (6,7) using four of hexagon screw M6*25mm (C3), spring washer (D) and washer (E) in bottom, and two hexagon tighten screw (F) at bottom of main body.



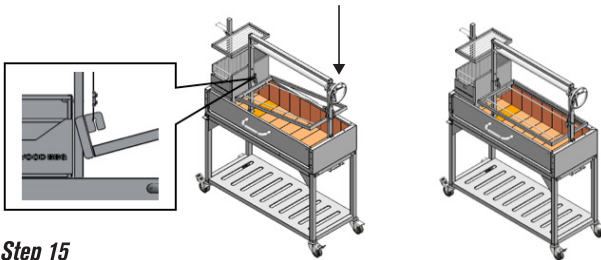
Step 13

Put the firebox (15) into the left side of main body, and then put the upright column (17) upon the left side edge of firebox, fix them together using four hexagon screw M6*10mm(C1) at bottom and with one in middle.



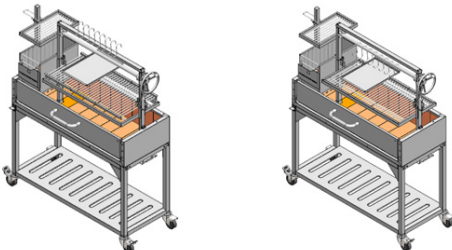
Step 14

Insert the secondary grate (16) into the assembled upright column (17), and fix it by ring fixing screw(H).



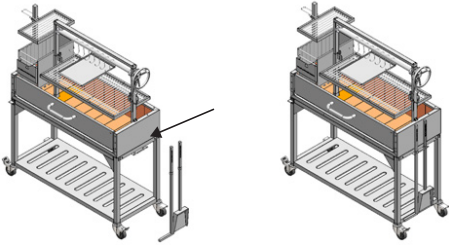
Step 15

Put the main frame grate (11) between the left and right side support rail by 45° of inclined, hang it with two side of steel wire.



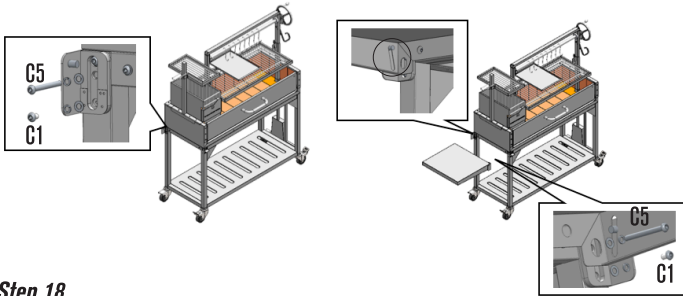
Step 16

Once main frame is secured, place main grates (12) or griddle (13) on top and hang the S shapes hook (24) on the elevator rod.



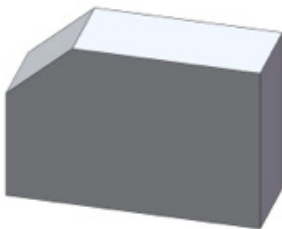
Step 17

Hang the coal rake and shovel (25) at right side of BBQ.



Step 18

Assemble the left bracket for side table with the leg by using one hexagon screw M6*60mm(C5), spring washer(D) and washer(E) at up and using one hexagon screw M6*10mm(C1), spring washer(D) and washer(E). Hang the side table into the hole of the assembled side bracket, and then assemble the right bracket with the leg by using one hexagon screw M6*60mm(C5), spring washer(D) and washer(E) at top and using one hexagon screw M6*10mm(C1), spring washer(D) and washer(E).



Step 19

Extra 1: Use the cover (26) on the BBQ when it's not in use.

Congratulations! We hope you enjoy your purchase. We worked hard so you can have a great and safe experience. We are always available if you have any questions or concerns about our products.

BEFORE USING FOR THE FIRST TIME

All stickers and films must be removed from the grill before use. We recommend to clean the table, small grate, main grate, meat hooks and griddle thoroughly with a suitable cleaning agent. Remove all cleaning residues and dry.

HOW TO CLEAN THE GRILL GRATES

Two hours after cooking: First, make sure all surfaces are cool. While still on the grill, scrub grate with a stainless-steel brush to remove all excess of food.

When grates are completely cool: Remove each section of grates from grill and place them on the side. Add 1 gallon of warm water in a container big enough to fit one piece at a time. Add a couple of drops of degreaser or detergent in the water.

Insert one piece at a time in the container, soak it and scrub excess food with a nylon cleaning brush. Remove each grate from bucket and rinse with fresh water. Dry it with microfiber cloth. Repeat the process for each piece of grate.

You can follow the same procedure for other parts in contact with food like secondary grate, griddle and meat hooks.

HOW TO CLEAN THE OUTSIDE OF THE GRILL

First make sure all surfaces are completely cool. Use a microfiber cleaning cloth mix with a soapy solution. Rub it over the exterior of the grill. If there is persistent dirt or grease, you can use a soft sponge to scrub them out. Rinse with fresh water but avoid any excess of water from getting inside the grill as this can cause damage to the interior. Dry it with microfiber cloth. Never use any sharp items that could scratch the surface of the grill. Never use an acidic, chlorine based or abrasive cleanser on stainless steel. They will damage the finish.

WARNING: Some discoloration will occur on some parts of the grill due to the extreme heat. The company consider this a normal wear and tear and will not be responsible for its cleaning.

LIMITED WARRANTY CERTIFICATE

Tagwood bbq warrants this product for a period of (5) years against deficiencies in material and/or manufacture defect, from the date of issuance of the purchase invoice. This LIMITED WARRANTY does not cover products that are improperly used, abused, altered or repaired. This warranty excludes all incidental or consequential damages and any condition resulting from other than ordinary residential wear or any use for which the product was not intended, such as use in rental or contract trade or commercial. This warranty does not include also normal wear and tear or dissatisfaction due to buyer's remorse. The LIMITED WARRANTY covers manufacturing, material and parts defects after proper verification by authorized technicians. The warranty will be void if the product suffers damages resulting from accidents, improper assembly, improper use, carelessness, action of corrosive agents, excessive load, ignorance of the instructions contained in the instruction manual or for presenting signs of having been repaired by non-authorized personnel. Deficient products or parts that are covered by this policy will be replaced or repaired. This warranty is non-transferable and valid only with the presentation of the purchase invoice. This product may undergo technical design modifications without prior notice from manufacturer. The importer assumes no responsibility for personal or property damage that could be caused by improper installation or use of the product, including lack of maintenance in the latter. Tagwood bbq reserves the right to inspect and assess the product before honoring the warranty and to invalidate the warranty if it is concluded that the claim was not valid. If you believe that your product meets the criteria for warranty replacement, please follow this procedure:

Take a picture of the damaged part

Take a picture of the invoice

Locate the serial number under the table

Send both pictures (damaged part & invoice) and serial number to

info@tagwoodbbq.com with the subject warranty

Please include a phone number we can contact you

We will contact you 48 hrs after receiving the email to explain how to

proceed

OPERATING INSTRUCTIONS

WARNING: We recommend moving food aside from the grill if flare-ups occur, to avoid getting the food too burned, or not at the desired cooking level. The best way to manage this is to create two zones of fire, and always leave some portion of the grilling surface without coals under, so that when the flare-up occurs, you can move the food to the other side and then move back when the flames reduce.

WARNING: We recommend cooking on the secondary grill or griddle without direct flame. Always do it only with the heat of the coals. Use extreme care while cooking on the secondary grill or griddle or when adding any type of liquid such as oil as it may generate a flame or hot drops causing serious injury.

Step 1:

We recommend not to use lighter fluid because it may transmit a chemical taste to your food. Instead you can use a natural Firestarter.

Step 2:

When coals start falling under the firebox it means they are ready. Use the coal rake to start spreading out the fallen coals to create an even layer under the main grate.

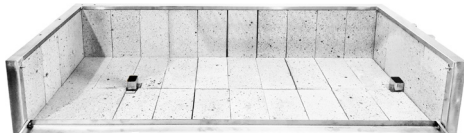
Step 3:

Place the food on the grill only when the charcoals have reached the desired temperature for cooking.

GET TO KNOW YOUR GRILL BETTER



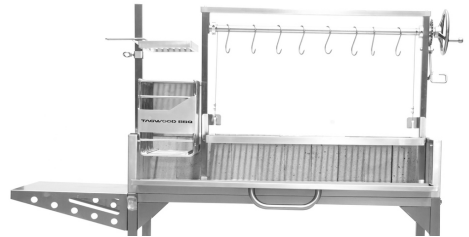
1) Height adjustment system. This feature gives you the possibility to adjust the height of the grates to regulate cooking temperature. Use the wheel to move the main grates up or down depending on what you need (closer to the coals = more heat to sear | away from coal = less heat for slow cooking).



3) Firebricks help transmit less heat to the outside panels but also spreads the heat evenly under the grates. Last, but not least, it extends the life of the grill.



2) The firebox allows you to light up the charcoal quicker and with less effort. It maintains fire lit and away from food. You can use wood charcoal, briquettes or wood based on your preference. We recommend using lump charcoal and firewood.



4) 4 different cooking areas to inspire your imagination. A main grate, one secondary grate and griddle and 8 meat hooks for roasting or smoking your favorite food.

UNA EXCELENTE ELECCIÓN

Gracias por elegir la parrilla de carbón TAGWOOD BBQ. Usted adquirió un producto hecho con materiales de alta calidad, confiable y máxima atención al detalle. Aquí encontrará algunas instrucciones muy simples para que usted y su familia puedan disfrutar todas las ventajas que ofrece nuestro producto, además de su seguridad.

Si no tiene el hábito de leer manuales de instrucciones, no deje de leer, porque en él encontrará toda la información de seguridad del producto.

IMPORTANTE: hemos hecho todo lo posible para darle instrucciones detalladas y precisas sobre cómo ensamblar este producto. En caso de duda, consulte a personal calificado o contáctenos directamente.

La compañía no es responsable de ninguna dificultad y/o problema que surja de la interpretación de las instrucciones detalladas en este manual. La parrilla y todas sus partes deben usarse solo para los fines establecidos en este manual. Tanto la compañía como los distribuidores y/o representantes no son responsables de ningún tipo de daño, ya sea a personas y/o propiedad, directa o indirectamente, debido a la incapacidad de usar este producto de manera segura y para el cual fue diseñado y fabricado.

Si tiene alguna pregunta que no se indique en estas instrucciones, o para información de servicio, montaje u operación, puede comunicarse con nosotros al +54 0230-444-0734 (Arg), +1 (786) 999 2568 (USA) o bien vía e-mail escribiendo a: info@tagwoodbbq.com.

Antes de hacerlo, recuerde ubicar el número de serie de su parrilla ubicado en la parte interior de la mesa.

Antes de devolver su producto comprado, contáctenos para recibir asistencia.

POR FAVOR, lea todas las instrucciones y advertencias de seguridad en detalle ANTES de ensamblar y operar su parrilla. Verifique que esté correctamente ensamblada y bien mantenida. El incumplimiento de estas instrucciones puede ocasionar lesiones corporales graves y/o daños a la propiedad.

ADVERTENCIAS DE SEGURIDAD IMPORTANTES

EN CASO DE EMERGENCIA, SIEMPRE LLAME AL 911 PRIMERO. Tenga en cuenta que la mayor causa de incendios de parrillas son el resultado de un mantenimiento deficiente y la ausencia de distancia requerida entre la parrilla y productos inflamables y no inflamables. Si ocurre un incendio, siempre llame primero al 911 o al departamento de bomberos.



**SUPERFICIES CALIENTES.
SE REQUIEREN GUANTES DE SEGURIDAD RESISTENTES AL CALOR.**

ADVERTENCIA: Esta parrilla es **SOLO** para uso en exteriores. No utilizar en zonas sin ventilación.

ADVERTENCIA: Si bien se han tomado todas las precauciones para eliminar los bordes afilados, tenga cuidado al limpiar o manipular para evitar el riesgo de lesiones por los bordes metálicos expuestos. Antes de devolver su producto comprado, contáctenos para recibir asistencia.

Tenga cuidado al mover la parrilla para evitar lesiones.

Asegúrese que la parrilla esté completamente fría antes de moverla.

No recomendable para personas con capacidades físicas, sensoriales o mentales reducidas, falta de experiencia y/o conocimiento, a menos que estén bajo supervisión o instrucción directa de una persona responsable de su seguridad.

No coloque nada inflamable o que pueda derretirse y/o dañarse en el estante inferior.

Para facilitar el ensamblado utilice 3 personas.

Si falta alguna pieza o está dañada, no intente ensamblar.

No guarde ni almacene dentro de la parrilla objetos de interés de niños. Este producto y los subproductos de combustión producidos al

usar este artículo contienen químicos que pueden causar cáncer, defectos de nacimiento. Para obtener más información visite <https://www.p65warnings.ca.gov>

Recomendamos, en caso de necesitar mudar o trasladar el producto, contratar personal idóneo para el traslado. Evitar desarmar el producto, y una vez relocalizado, es necesario reajustar todos las partes y los tornillos nuevamente.

Éstas advertencias aplican a todos nuestros productos y accesorios vendidos bajo nuestra marca.

ADVERTENCIAS DE UBICACIÓN DE LA PARRILLA

No coloque la parrilla en superficies que no soporten el peso de la misma en forma segura o que causen inestabilidad.

Mantenga la parrilla al menos a 5,4mts de cualquier material combustible o no combustible (cubiertas, cercas, árboles, arbustos, etc.) por todos los lados y hacia arriba. Tenga en cuenta las condiciones del viento para agregar una distancia adecuada desde todos sus ángulos. Coloque la parrilla en un área protegida del viento.

No coloque la parrilla cerca de líquidos inflamables, gases o donde puedan estar presentes vapores inflamables.

ADVERTENCIAS DE OPERACIÓN DE LA PARRILLA

No use gasolina, kerosene o alcohol para encender el carbón. El uso de cualquiera de estos productos o similares podría causar una explosión que posiblemente ocasione lesiones corporales graves.

No deje la parrilla en uso sin vigilancia. Mantenga a los niños y mascotas alejados en todo momento, ya que muchas partes pueden calentarse y causar quemaduras graves.

Tenga mucho cuidado al agregar carbón y/o leña. No agregue ningún tipo de fluido inflamable sobre las brasas calientes o tibias ya que pueden causar una explosión o una llamarada.

Nunca mueva la parrilla cuando esté en uso o cuando contenga brasas o cenizas calientes.

Mantenga las manos, cara y cuerpo lejos del aire caliente y llamaradas. Siempre abra o cierre la puerta frontal agarrando la manija ya que la puerta puede calentarse y provocar lesiones o quemaduras. Nunca deje las brasas y las cenizas sin vigilancia. Antes de dejar la parrilla, el carbón y las cenizas deben apagarse. Tome precaución para protegerse y proteger su propiedad.

Manipule con extremo cuidado y con guantes aislantes resistentes al calor la parrilla suspendida, plancha o ganchos en forma de S ya que pueden levantar altas temperaturas y provocar lesiones o quemaduras.

No recomendable para personas con capacidades físicas, sensoriales o mentales reducidas, falta de experiencia y/o conocimiento, a menos que estén bajo supervisión o instrucción directa de una persona responsable de su seguridad.

No permita que niños operen la parrilla.

Mantenga limpia su parrilla antes y después de cada uso.

No coloque el atizador y/o pala en la parrilla mientras esté en uso, ya que se calientan y podrían causar quemaduras graves. Siempre colóquelas en una superficie que no reciba calor.

Asegúrese de usar guantes resistentes al calor con aislamiento cuando utilice la pala y el atizador.

No queme troncos manufacturados, madera flotante, basura, hojas, papel, cartón, madera contrachapada, madera pintada o teñida o tratada a presión. Evite el uso de maderas blandas como por ejemplo el pino o el cedro que pueden generar chispas. Tenga mucho cuidado ya que el viento puede avivar las llamas y generar brasas que provoquen un daño físico a personas, a su propiedad y/o de terceros.

El uso de alcohol, medicamentos con o sin receta y/o drogas puede afectar la capacidad del consumidor para ensamblar, mover, almacenar u operar la parrilla de manera adecuada y segura.

Remover las cenizas, carbón o brasas de la parrilla sólo cuando estén completamente apagadas.

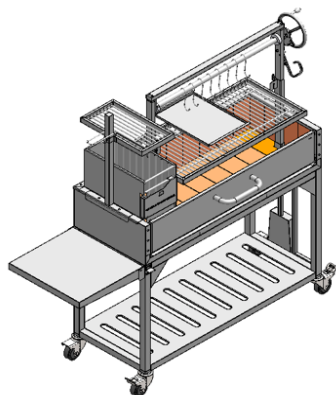
No almacene la parrilla antes que las cenizas, carbón y brasas estén completamente apagadas.

No caliente recipientes de comida sin abrir en cualquier parte de la parrilla. La acumulación de presión resultante del calor puede hacer que el recipiente explote.

No coloque brasas sobre la puerta frontal de la parrilla. Siempre hágalo sobre los ladrillos refractarios, los mismos no deben ser retirados. No utilice este producto con vientos fuertes.

No use ropa con mangas o el pelo suelto mientras enciende el fuego o durante el uso de la parrilla.

Use zapatos cerrados ya que brasas calientes, carbones o chispas pueden caer de la parrilla y causar quemaduras o lesiones.



Para video de Montaje



No utilizar herramientas eléctricas



Utilizar llave Allen



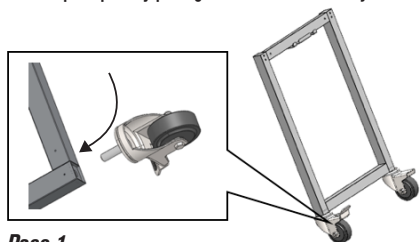
LISTA DE PARTES:

- | | | | | | | |
|--|--|--|---|---|--|---|
| 1- Cuerpo principal
1 pcs
 | 2- Estante inferior
1 pcs
 | 3- Patas izquierdas
1 pcs
 | 4- Patas derechas
1 pcs
 | 5- Soporte frontal y posterior
2 pcs
 | 6- Riel de soporte izquierdo
1 pcs
 | 7- Riel de soporte derecho
1 pcs
 |
| 8- Riel de soporte superior
1 pcs
 | 9- Barra de sistema de regulación de altura
1 pcs
 | 10- Cable de acero
2 pcs
 | 11- Marco parrilla principal
1 pcs
 | 12- Parrilla principal
3 pcs
 | 13- Plancha
1 pcs
 | 14- Mesa lateral
1 pcs
 |
| 15- Brasero
1 pcs
 | 16- Parrilla secundaria
1 pcs
 | 17- Riel lateral para parrilla secundaria
1 pcs
 | 18- Tubo rectangular
1 pcs
 | 19- Ruedas sin freno
2 pcs
 | 20- Ruedas con freno
2 pcs
 | 21- Manija de puerta frontal
1 pcs
 |
| 22- Ladrillos refractarios
22 pcs
 | 23- Sistema de drenaje
1 pcs
 | 24- Ganchos en forma de S
8 pcs
 | 25- Pala y atizador
2 pcs
 | 26- Cobertor
1 pcs
 | 27- Soporte para mesa lateral
2 pcs
 | |

Kit de accesorios

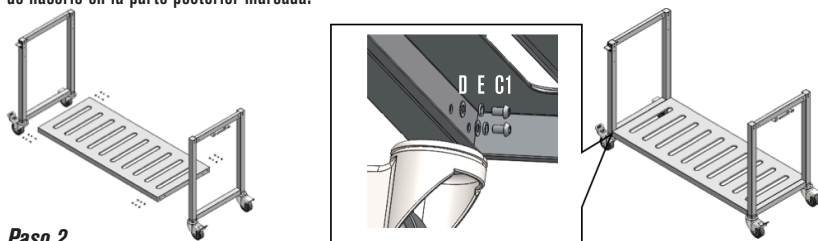
- | | | | | | | | |
|----------------------------------|---|--|--|--|--|--|--------------------------------------|
| A- Anillo de ajuste
2 pcs
 | B- Tornillo cabezal en cruz M4x8
2 pcs
 | C1- Tornillos hexagonales M6*10mm
2 pcs
 | C2- Tornillos hexagonales M6*16mm
2 pcs
 | C3- Tornillos hexagonales M6*25mm
4 pcs
 | C4- Tornillos hexagonales M6*45mm
4 pcs
 | C5- Tornillos hexagonales M6*60mm
4 pcs
 | D- Arandela de resorte
40 pcs
 |
| E- Arandela
40 pcs
 | F- Tornillo de apriete hexagonal
2 pcs
 | G- Llave Allen 4#/5#
1/1 pcs
 | H- Tuerca anillada
1 pcs
 | | | | |

Montaje: Antes de comenzar a ensamblar, retire con cuidado todas las películas protectoras evitando rayaduras en la superficie o en cualquier pieza y protegiendo el área de trabajo / ensamblaje.



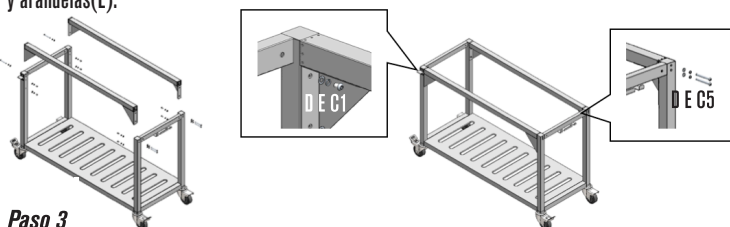
Paso 1

Atornille las ruedas con freno (12) en el extremos inferior del set de patas izquierdo y derecho (3,4). Asegurese de hacerlo en la parte frotaal marcada. Atornille las ruedas sin freno (11) en el extremos inferior del set de patas izquierdo y derecho (3,4). Asegurese de hacerlo en la parte posterior marcada.



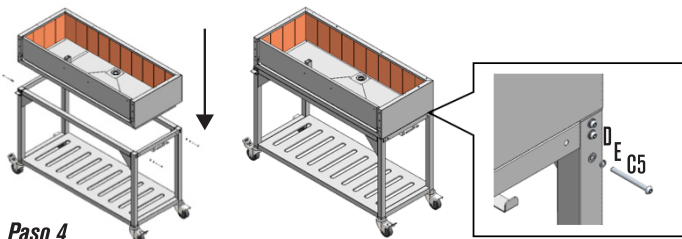
Paso 2

Ensamble los dos juegos de patas con el estante inferior (2) usando ocho tornillos hexagonales M6*10 mm(C1), arandelas de resorte(D) y arandelas(E).



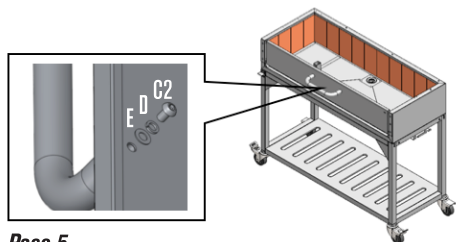
Paso 3

Ensamble el riel de soporte delantero y trasero con la parte superior de los juegos de patas con ocho tornillos hexagonales M6*10mm(C1), una arandela de resorte(D) y una arandela(E) en el interior y seis tornillos hexagonales M6*60mm(C5), una arandela de resorte(D) y una arandela(E) en el exterior. (Usando dos tornillos en el lado con abridor y usando cuatro tornillos en el otro lado).



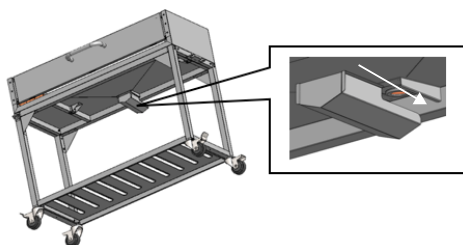
Paso 4

Coloque con cuidado el cuerpo principal (1) en la estructura inferior. Móntelos con cuatro tornillos hexagonales M6*60mm(C5), arandelas de resorte(D) y arandelas(E).



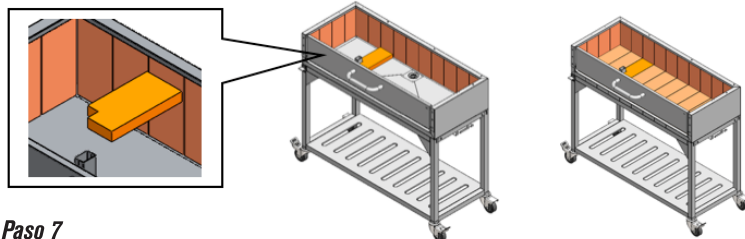
Paso 5

Ensamble la manija (21) con la puerta frontal usando dos tornillos hexagonales M6*16mm (C2), arandelas de resorte (D) y arandelas (E).



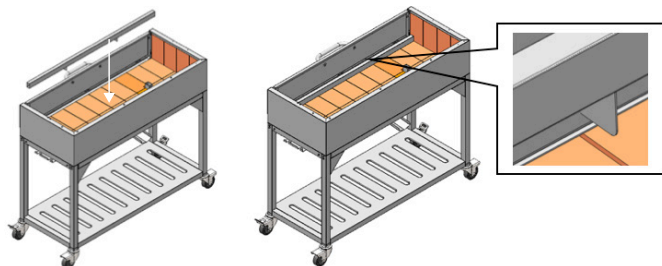
Paso 6

Destlice el drenaje de agua (23) debajo del orificio de drenaje.



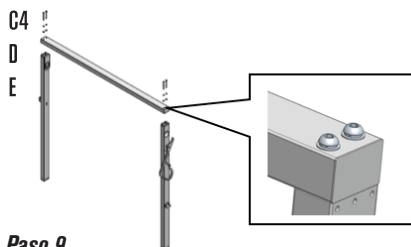
Paso 7

Coloque el ladrillo refractario (22) en el cuerpo. El ladrillo refractario con la esquina astillada gira primero alrededor del tubo cuadrado.



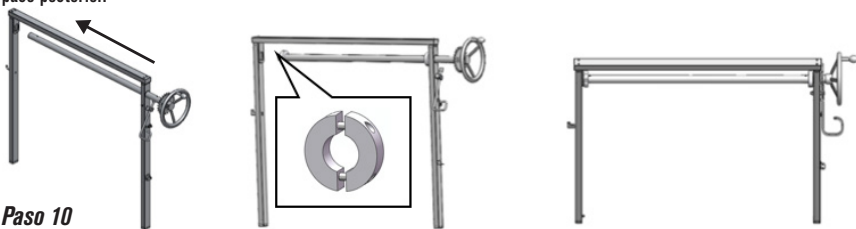
Paso 8

Inserte el tubo cuadrado (18) en el cuerpo principal y la manija del sistema de altura ajustable junto a la puerta.



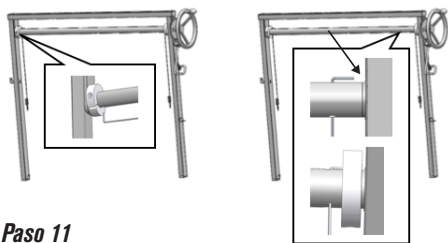
Paso 9

Ensamble los rieles de soporte superiores para la parrilla (8) con los rieles de soporte izquierdo (6) y derecho (7) utilizando cuatro tornillos hexagonales M6*45mm(C4), arandela de resorte(D) y arandela(E). Fije sin apretar cada tornillo al principio, los fijará firmemente en un paso posterior.



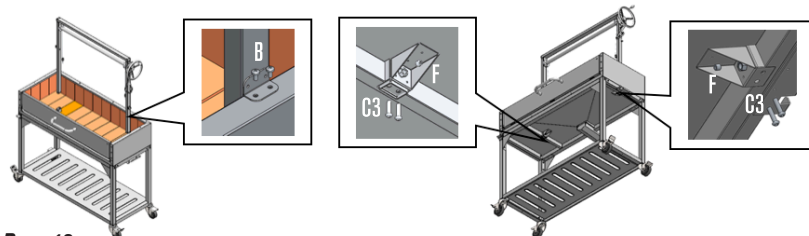
Paso 10

Inserte la varilla del sistema de ajuste de altura (9) en el riel de soporte izquierdo y derecho, y luego desatornille los dos anillos de fijación(A). Insértelos en la varilla del sistema de ajuste de altura. Luego inserte el sistema en el riel de soporte izquierdo de la rejilla.



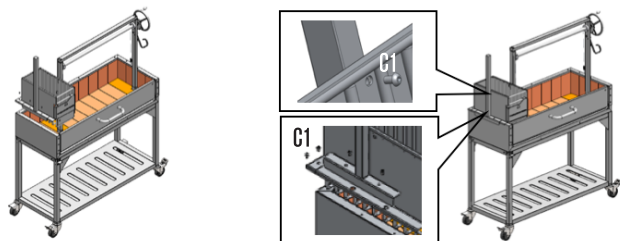
Paso 11

Inserte el cable de acero inoxidable (10) a través de dos orificios en el extremo de la varilla, deje afuera el cable de acero de 20 mm (hay una marca de flexión en el extremo del cable de acero), deslícelo debajo del anillo de ajuste(A) y apriete el lado izquierdo anillo de ajuste(A) en el lado izquierdo del orificio y apriete el anillo de ajuste derecho(A) en la marca de línea negra.



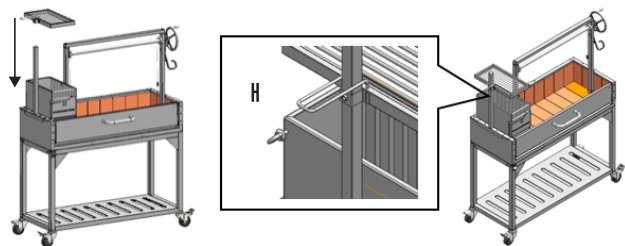
Paso 12

Inserte las piezas ensambladas anteriormente en el cuerpo principal y fije el riel de soporte derecho usando dos M4*8mm(B) en el lado superior derecho del cuerpo principal. Fije el extremo del riel de soporte izquierdo y derecho (6,7) con cuatro tornillos hexagonales M6*25mm(C3), una arandela de resorte(D) y una arandela(E) en la parte inferior, y dos tornillos hexagonales(F) en parte inferior del cuerpo principal.



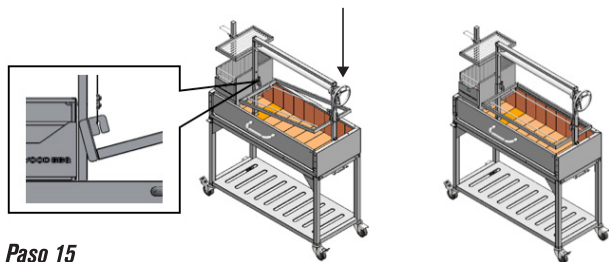
Paso 13

Coloque el brasero (15) en el lado izquierdo del cuerpo principal y luego coloque el riel lateral para parrilla secundaria (17) en el borde lateral izquierdo del brasero, fíjelos juntos con cuatro tornillos hexagonales M6*10mm(C1) en la parte inferior y con uno en medio.



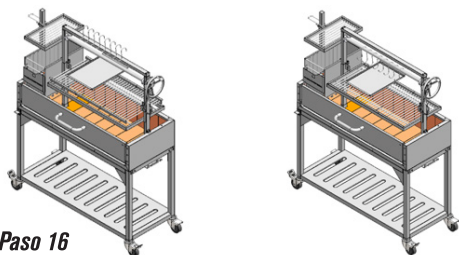
Paso 14

Inserte la parrilla secundaria (16) en el riel lateral para parrilla secundaria (17) y fíjela con el tornillo de fijación del anillo(H).



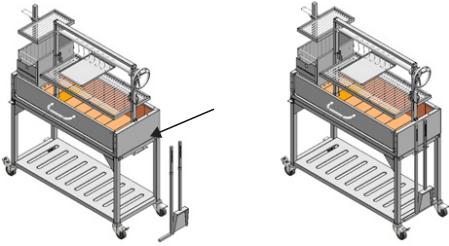
Paso 15

Coloque la parrilla del marco principal (11) entre el riel de soporte lateral izquierdo y derecho a 45 ° de inclinación, cuélguelo con dos lados de alambre de acero.



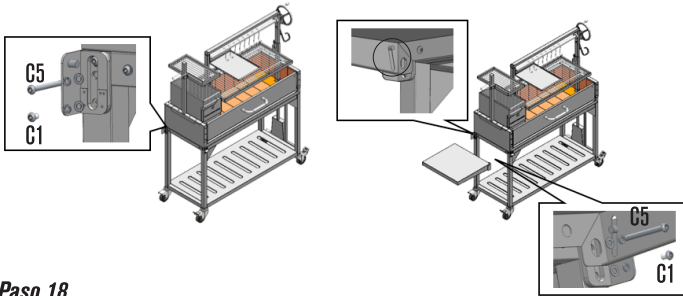
Paso 16

Una vez que el marco principal esté asegurado, coloque las parrillas principales (12) o la plancha (13) en la parte superior y cuelgue el gancho en forma de S (24) en la varilla del elevador.



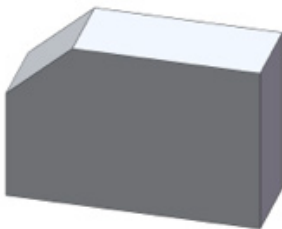
Paso 17

Cuelga la pala y el atizador (25) en el lado derecho de la parrilla.



Paso 18

Ensamble el soporte izquierdo para la mesa lateral con la pata usando un tornillo hexagonal M6*60mm(C5), arandela de resorte(D) y arandela(E) hacia arriba y usando un tornillo hexagonal M6*10mm(C1), arandela de resorte(D) y arandela(E). Cuelga el estante lateral en el orificio del soporte lateral ensamblado y luego ensamble el soporte derecho con la pata usando un tornillo hexagonal M6*60mm(C5), arandela de resorte(D) y arandela(E) en la parte superior y usando un hexágono tornillo M6*10mm(C1), arandela de resorte(D) y arandela(E).



Paso 19

Extra 1: Utilice el cobertor (26) incluido para cubrir la parrilla cuando no esté en uso.

¡Felicidades! Deseamos que disfrute de su producto. Trabajamos para maximizar su bienestar y lograr el mayor beneficio del producto adquirido. Quedamos a su disposición para cualquier duda o consulta que pueda tener.

ANTES DE USAR POR PRIMERA VEZ

Debe sacar todos los calcos o films adheridos. Recomendamos que limpie la parrilla principal, mesa, los ganchos en forma de S, la plancha y parrilla secundaria.

CÓMO LIMPIAR SU PARRILLA

Dos horas después de cocinar: Primero asegúrese que las parrillas están frías. Con las parrillas seccionadas puestas, pase un cepillo de alambre de acero inoxidable para remover excesos de comida.

Cuando la parrilla está completamente fría: Remueva cada sección de parrilla y póngala a un costado. Agregue 3 litros de agua tibia en un recipiente lo suficientemente grande para que entre una sección de parrilla a la vez. Agregue un par de gotas de detergente o desengrasador. Inserte las parrillas individuales dentro del recipiente, enjabónela y limpie el exceso de comida con un cepillo de nylon. Saque la parrilla del recipiente y enjuáguela con agua dulce. Séquela con un paño de microfibra. Repita el proceso para cada sección de parrilla.

Recomendamos el mismo procedimiento para cualquier parte que toque comida como la plancha, parrilla secundaria, ganchos en forma de S.

COMO LIMPIAR EL EXTERIOR DE LA PARRILLA

Primero asegúrese que todas las superficies estén completamente frías. Use un paño de microfibra mezclado con una solución jabonosa y frótelo sobre el exterior de la parrilla. Si hay suciedad o grasa persistentes, puede usar una esponja suave para restregarlas. Enjuague con agua dulce evitando que entre exceso en la parrilla ya que esto puede dañar el interior. Séquela con un paño de microfibra. Nunca use elementos afilados o abrasivos que puedan rayar la superficie y/o exterior de la parrilla. Nunca use un limpiador ácido, a base de cloro o abrasivo sobre el acero inoxidable. Dañarán el acabado.

ADVERTENCIA: Algunas partes de la parrilla pueden sufrir una decoloración. Esto es debido al calor intenso del fuego. La empresa lo considera un desgaste normal del producto y no se hace responsable de su limpieza.

CERTIFICADO DE GARANTÍA LIMITADA

Tagwood bbq garantiza este producto por un período de (5) años contra deficiencias en el material y / o defectos de fabricación, a partir de la fecha de emisión de la factura de compra. Esta garantía excluye todos los daños incidentales o consecuentes y cualquier condición que resulte de un uso residencial que no sea ordinario o cualquier uso para el cual el producto no fue diseñado, como el uso en alquiler o contrato comercial. Además, ésta garantía no incluye el desgaste normal o la insatisfacción debido al arrepentimiento del comprador. La GARANTÍA LIMITADA cubre defectos de fabricación, materiales y piezas después de una verificación adecuada por parte de técnicos autorizados. La garantía será nula si el producto sufre daños resultantes de accidentes, montaje incorrecto, uso inadecuado, descuido, acción de agentes corrosivos, carga excesiva, ignorancia de las instrucciones contenidas en el manual de instrucciones o por presentar signos de haber sido reparado por personal no autorizado. Los productos o piezas deficientes que están cubiertos por esta garantía serán reemplazados o reparados. Esta garantía no es transferible y solo es válida con la presentación de la factura de compra. Este producto puede sufrir modificaciones de diseño técnico sin previo aviso del fabricante. El importador no asume ninguna responsabilidad por daños personales o materiales que puedan ser causados por una instalación o uso incorrectos del producto, incluida la falta de mantenimiento en este último. Tagwood bbq se reserva el derecho de inspeccionar y evaluar el producto antes de cumplir con la garantía e invalidar la garantía si se concluye que el reclamo no era válido. Si cree que su producto cumple con los requisitos para hacer efectiva esta garantía siga el siguiente procedimiento:

Tome una fotografía de la parte dañada.

Tome una foto de la factura.

Encuentre en número de serie bajo la mesa

Envíe ambas imágenes (parte dañada y factura) y número de serie

a info@tagwoodbbq.com con el encabezado que diga Garantía.

Por favor incluya un número de teléfono con el que podamos contactarlo.

Nos pondremos en contacto con usted 48 horas después de recibir el correo electrónico para explicarle cómo proceder.

INSTRUCCIONES DE OPERACIÓN

ADVERTENCIA: Recomendamos mover los alimentos a un lado de la parrilla si se produce fuego directo a los mismos, para evitar que los alimentos se quemen demasiado o no al nivel de cocción deseado. La mejor manera de manejar esto es crear dos zonas bajo la parrilla principal: una con brasas y otra siempre libre de brasas. De este modo, cuando ocurra el brote de fuego, usted puede mover la comida a la zona libre de brasas y luego volverla a poner sobre la zona de brasas cuando ya no haya llamas.

ADVERTENCIA: Recomendamos cocinar en la parrilla secundaria o plancha sin llama directa. Siempre hágalo solo con el calor de las brasas. Tenga extremo cuidado mientras cocine en la parrilla secundaria o plancha o al agregar algún tipo líquido como aceite ya que puede generar una llama o gotas calientes que provoquen lesiones graves.

Paso 1:

Recomendamos no usar ningún tipo de fluido para encender el fuego ya que puede transmitir un sabor a químico a los alimentos. Nuestra sugerencia es que utilice un iniciador de fuego natural.

Paso 2:

Cuando los carbones se convierten en brasas, use las mismas que caigan bajo el brasero y comience a extender una capa uniforme bajo la parrilla principal, donde luego colocara los alimentos.

Paso 3:

Coloque la comida en la parrilla solo cuando las brasas hayan alcanzado la temperatura deseada para cocinar.

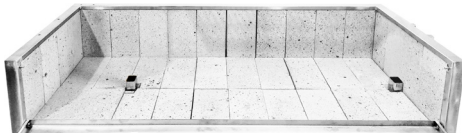
CONOZCA MEJOR SU PARRILLA:



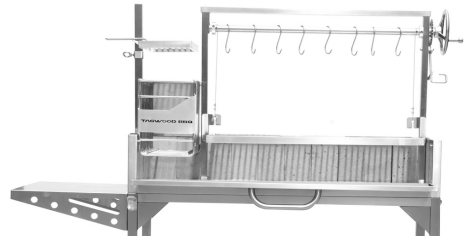
1) Sistema de regulación de altura. Esta característica le da la posibilidad de ajustar la altura de la parrilla para regular la temperatura de cocción. Use la manivela para mover la parrilla hacia arriba o abajo dependiendo de lo que necesite (más cerca de las brasas para sellar los alimentos | más lejos para una cocción lenta).



2) El brasero le da la posibilidad de encender el fuego más rápido y con menos esfuerzo. Además, lo mantiene encendido y alejado de la comida. Puede usar carbón, briquetas o leña dependiendo de su preferencia. Recomendamos el uso de carbón vegetal y leña.



3) Ladrillos refractarios ayudan a minimizar el traspaso del calor hacia la parte exterior de la parrilla, así como también a expandir el calor de forma consistente bajo la parrilla principal. Por último, ayuda a extender la vida útil del producto.



4) 4 áreas diferentes de cocción para inspirar su imaginación. Una parrilla principal, una plancha y parrilla secundaria y 8 ganchos para crear un efecto ahumado de su comida preferida.

TAGWOOD™ BBQ

STYLED TO PERFECTION, CREATED TO LAST, BORN TO GRILL

CUSTOMER SERVICE / SERVICIO AL CLIENTE

+1 (786) 999 - 2568 - Argentina: 0230-444-0734

Questions / Consultas
www.tagwoodbbq.com | email: info@tagwoodbbq.com

