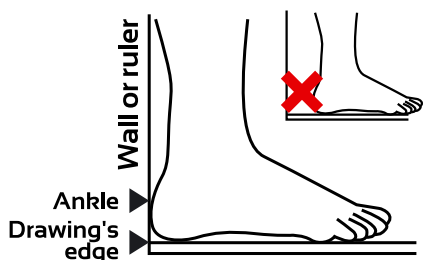
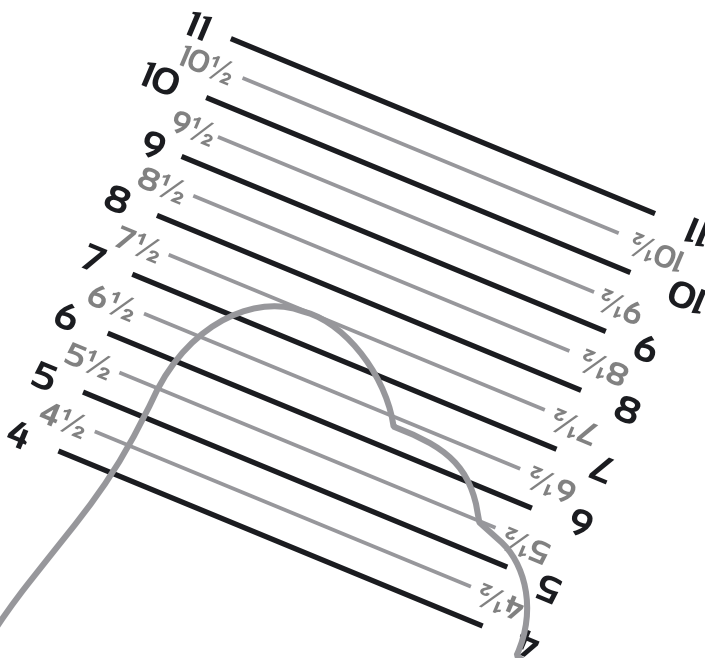


Example:



NOTE:

- 1 For accurate sizing, please print this document on letter (8.5"x11") paper at 100% / full size. DO NOT CHOOSE FIT TO PAGE.
- 2 Wear the socks intended for the use of the shoes.
- 3 Place the sizer on a firm surface and measure your right foot with the edge of the heel against the wall or ruler as shown on the figure.
- 4 Measure the length from the end of the big toe. If tip is in between lines, order the larger size.



CUADRA®

