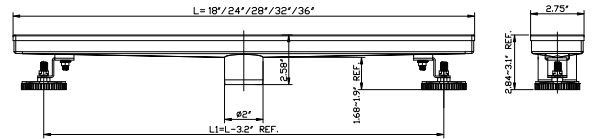




### Drain-ASD-LE

**Product Features:**

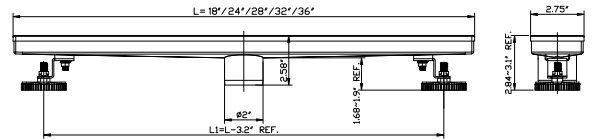
- 1.2mm thickness of stainless steel 304 plate
- 2" outlet diameter
- V design fast drainage, double folded edge smooth and beautiful
- Black ABS Flange base: 2"-11 1/2NPSM inlet diameter and 2" outlet diameter
- Available colors: Matte Black, Brushed nickel
- CUPC certificate



### Drain-ASD-LW

**Product Features:**

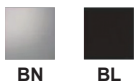
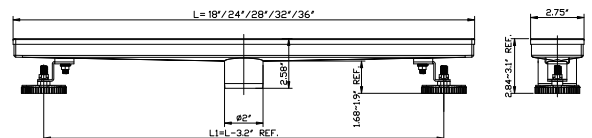
- 1.2mm thickness of stainless steel 304 plate
- 2" outlet diameter
- V design fast drainage, double folded edge smooth and beautiful
- Black ABS Flange base: 2"-11 1/2NPSM inlet diameter and 2" outlet diameter
- Available colors: Matte Black, Brushed nickel
- CUPC certificate and ADA compliance



### Drain-ASD-LT

**Product Features:**

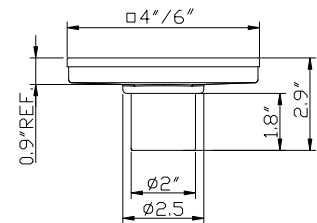
- 1.2mm thickness of stainless steel 304 plate
- 2" outlet diameter
- V design fast drainage, double folded edge smooth and beautiful
- Black ABS Flange base: 2"-11 1/2NPSM inlet diameter and 2" outlet diameter
- Available colors: Matte Black, Brushed nickel
- CUPC certificate



### Drain-ASD-SE

**Product Features:**

- 1.2mm thickness of stainless steel 304 plate
- 2" outlet diameter
- V design fast drainage, double folded edge smooth and beautiful
- Black ABS Flange base: 2"-11 1/2NPSM inlet diameter and 2" outlet diameter
- Available colors: Matte Black, Brushed nickel
- CUPC certificate



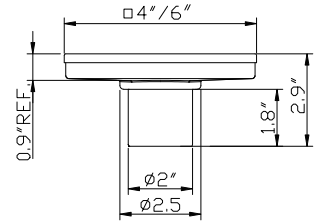


### Drain-ASD-SW



**Product Features:**

- 1.2mm thickness of stainless steel 304 plate
- 2" outlet diameter
- V design fast drainage, double folded edge smooth and beautiful
- Black ABS Flange base: 2"-11 1/2NPSM inlet diameter and 2" outlet diameter
- Available colors: Matte Black, Brushed nickel
- CUPC certificate ADA

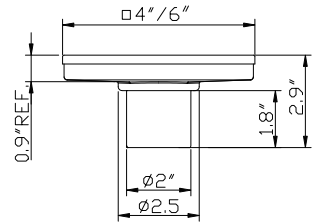


### Drain-ASD-ST



**Product Features:**

- 1.2mm thickness of stainless steel 304 plate
- 2" outlet diameter
- V design fast drainage, double folded edge smooth and beautiful
- Black ABS Flange base: 2"-11 1/2NPSM inlet diameter and 2" outlet diameter
- Available colors: Matte Black, Brushed nickel
- CUPC certificate

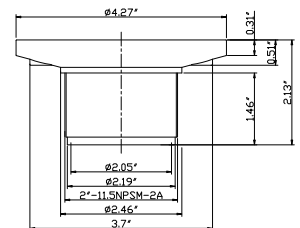


### Drain-ASD-RR-4.3



**Product Features:**

- 1.2mm thickness of stainless steel 430 plate
- 2" outlet diameter
- Black ABS Flange base: 2"-11 1/2NPSM inlet diameter and 2" outlet diameter
- Available colors: Polished stainless
- CUPC certificate

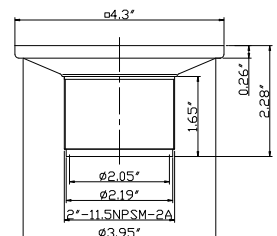


### Drain-ASD-SE-4.3



**Product Features:**

- 1.2mm thickness of stainless steel 430 plate
- 2" outlet diameter
- Black ABS Flange base: 2"-11 1/2NPSM inlet diameter and 2" outlet diameter
- Available colors: Polished stainless
- CUPC certificate





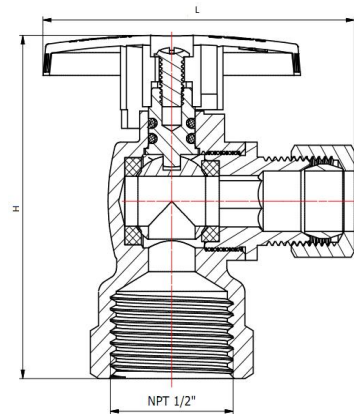
### QTR-TURN SUPPLY STOPS

Part No:AV1238FC

1/2 in. FIP inlet x 3/8 in. O.D. Comp outlet 1/4 Turn Angle stop valve



- Features:
- LEAD FREE Forged chrome plated body
- Quarter Turn operation
- Self-lubricating Teflon seals
- Double O-ring for safety
- Max working pressure 125PSI
- CUPC,NSF,AB1953 Approved



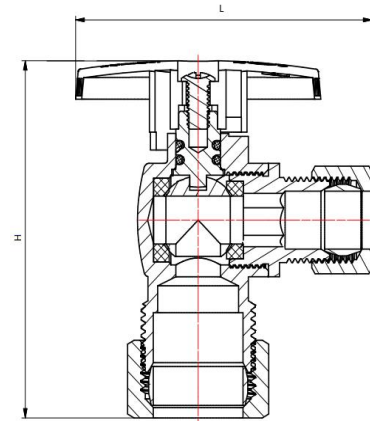
### QTR-TURN SUPPLY STOPS

Part No:AV5838CC

5/8 in.O.D.Comp inlet x 3/8 in.O.D.Comp outlet 1/4 Turn Angle stop valve



- Features:
- LEAD FREE Forged chrome plated body
- Quarter Turn operation
- Self-lubricating Teflon seals
- Double O-ring for safety
- Max working pressure 125PSI
- CUPC,NSF,AB1953 Approved



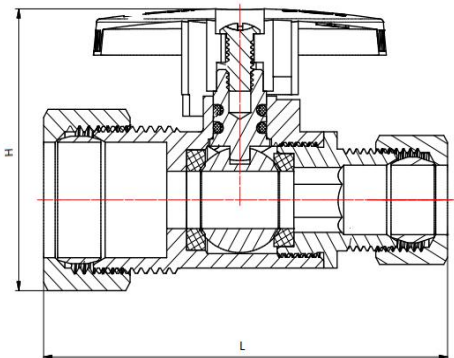
### QTR-TURN SUPPLY STOPS

Part No:SV5838CC

5/8 in.O.D.Comp inlet x 3/8 in.O.D.Comp outlet 1/4 Turn straight stop valve



- Features:
- LEAD FREE Forged chrome plated body
- Quarter Turn operation
- Self-lubricating Teflon seals
- Double O-ring for safety
- Max working pressure 125PSI
- CUPC,NSF,AB1953 Approved



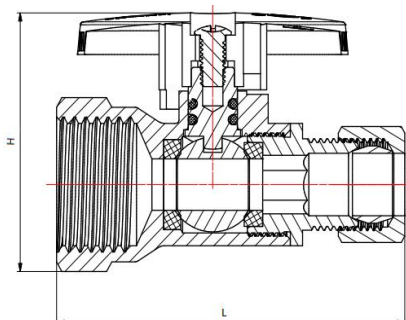
### QTR-TURN SUPPLY STOPS

Part No:SV1238FC

1/2 in.FIP inlet x 3/8 in.O.D.Comp outlet 1/4 Turn straight stop valve



- Features:
- LEAD FREE Forged chrome plated body
- Quarter Turn operation
- Self-lubricating Teflon seals
- Double O-ring for safety
- Max working pressure 125PSI
- CUPC,NSF,AB1953 Approved





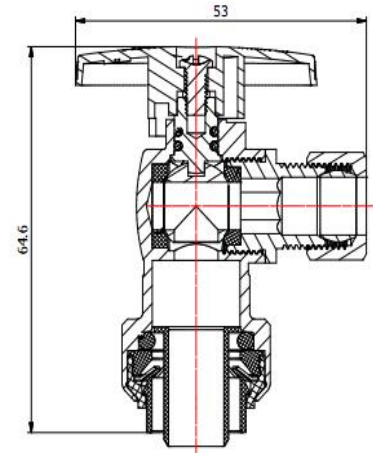
### QTR-TURN SUPPLY STOPS

Part No:AV1238PC

1/2"push-fit inlet x 3/8 in.O.D.Comp outlet 1/4 Turn straight stop valve



- Features:
- LEAD FREE Forged chrome plated body
- Quarter Turn operation
- Self-lubricating Teflon seals
- Double O-ring for safety
- Push Fit inlet x Compression outlet
- Max working pressure 125PSI
- CUPC,NSF,AB1953 Approved



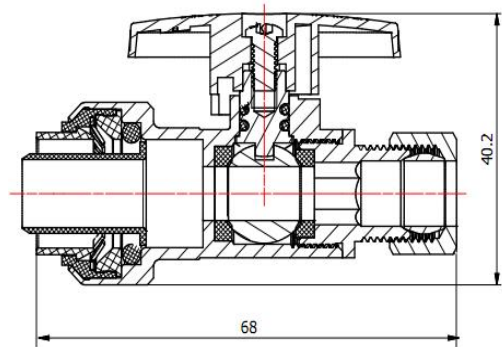
### QTR-TURN SUPPLY STOPS

Part No:SV1238PC

1/2"push-fit inlet x 3/8 in.O.D.Comp outlet 1/4 Turn Angle stop valve



- Features:
- LEAD FREE Forged chrome plated body
- Quarter Turn operation
- Self-lubricating Teflon seals
- Double O-ring for safety
- Push Fit inlet x Compression outlet
- Max working pressure 125PSI
- CUPC,NSF,AB1953 Approved



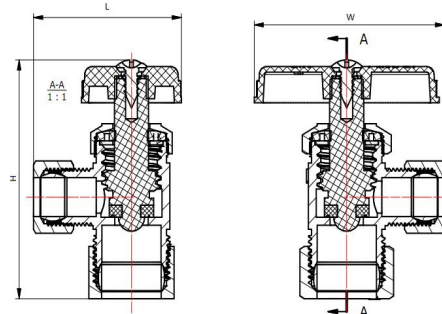
### MULTI-TURN SUPPLY STOPS

Part No:AVD5838CC

5/8 in.O.D.Comp inlet x 3/8 in.O.D.x 3/8 in.O.D.Comp Dual outlet multi Turn angle stop valve



- Features:
- LEAD FREE Forged chrome plated body
- Multi Turn operation
- POM stem
- Max working pressure 125PSI
- CUPC,NSF,AB1953 Approved



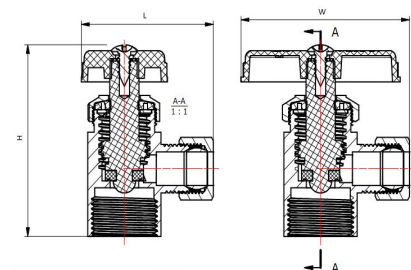
### MULTI-TURN SUPPLY STOPS

Part No:AVD1238FC

1/2 in.FIP inlet x 3/8 in.O.D.x 3/8 in.O.D.Comp Dual outlet multi Turn angle stop valve



- Features:
- LEAD FREE Forged chrome plated body
- Multi Turn operation
- POM stem
- Max working pressure 125PSI
- CUPC,NSF,AB1953 Approved



### SDSSN

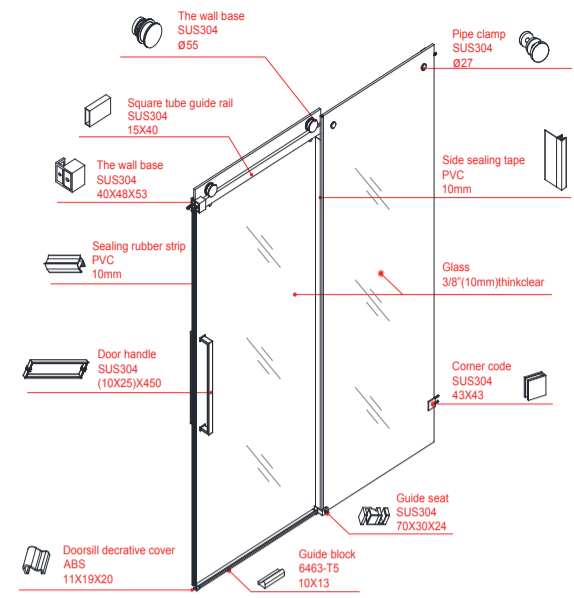
**Product Features:**

- Frameless single sliding glass door
- 304Stainless steel hardware available in 3 color/finishes options
- ø55 Wheel roller system
- Premium 3/8”(10mm)think clear Self-cleaning coated glass
- thmpered glass ANSI Z97.1(SGCC Certified)
- option for right or left side installation

**Available Colors/Finish**

Color Code Description

- BN Brushed Stainless
- PC Chrome Polished
- BL Black Matte



**Dimensions In Imperial Units**

Finish wall to finish wall:48”,52”,56”,60”,64”,68”,72”  
Height:80”

### SDSRN

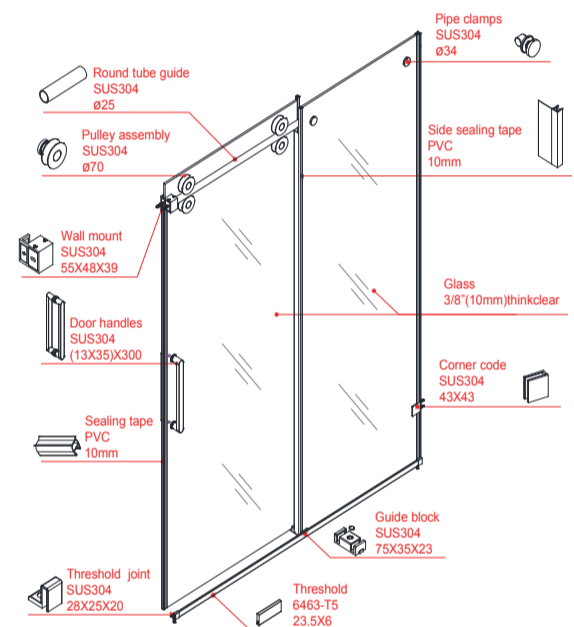
**Product Features:**

- Frameless single sliding glass door
- 304Stainless steel hardware available in 3 color/finishes options
- ø70 Wheel roller system
- Premium 3/8”(10mm)think clear Self-cleaning coated glass
- thmpered glass ANSI Z97.1(SGCC Certified)
- option for right or left side installation

**Available Colors/Finish**

Color Code Description

- BN Brushed Stainless
- PC Chrome Polished
- BL Black Matte



**Dimensions In Imperial Units**

Finish wall to finish wall:48”,52”,56”,60”,64”,68”,72”  
Height:80”

### SDDSN

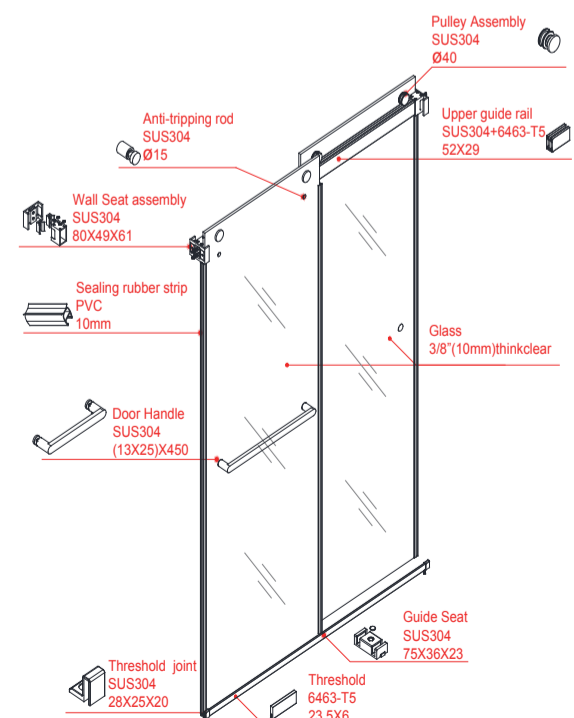
**Product Features:**

- Frameless Double sliding bypass configuration allows entry to the shower from left to right side
- 304Stainless steel hardware available in 3 color/finishes options
- ø40 Wheel roller system
- Premium 3/8”(10mm)think clear Self-cleaning coated glass
- thmpered glass ANSI Z97.1(SGCC Certified)

**Available Colors/Finish**

Color Code Description

- BN Brushed Stainless
- PC Chrome Polished
- BL Black Matte



**Dimensions In Imperial Units**

Finish wall to finish wall:48”,52”,56”,60”,64”,68”,72”  
Height:66”,80”