



3091 ELONGATED ONE-PIECE TOILET



SANITARY WARE

FEATURES:

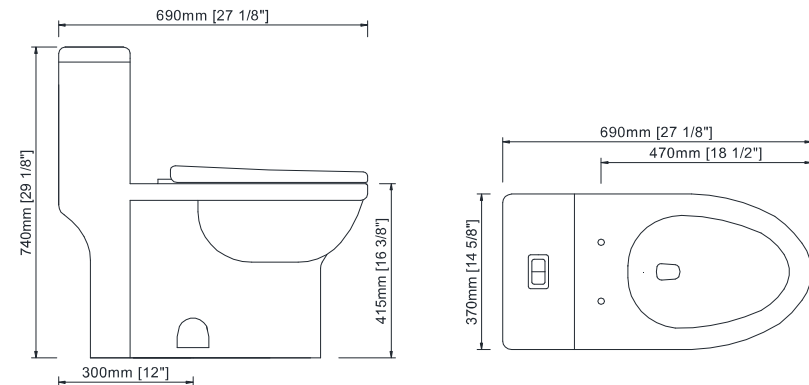
- ☆ Vitreous China
- ☆ One-piece toilet integrate the tank and bowl into a seamless, easy-to-clean design
- ☆ Elongated siphonage action bowl
- ☆ CSA listed for USA and Canadian Code compliances
EPA WaterSense listed with 1.28gpf
- ☆ 3" dual water flush valve, CUPC certificated
- ☆ 2-1/2" fully glazed trap way
- ☆ S-trap, 12" rough-in
- ☆ Soft close seat cover
- ☆ 100% factory flush tested
- ☆ Includes color matched bolts blocks
- ☆ Chrome-plated top button



NOMINAL OVERALL DIMENSION:

Length x Depth x Height

(690mm x 370mm x 740mm, 27-1/8" x 14-5/8" x 29-1/8")



Compliance Certifications-Meets or Exceeds the following Specifications:

- ASME A112.19.2-2018/CSA B45.1-18 - Ceramic plumbing fixtures
- ASME A112.19.14-2013 - Six-Liter Water Closets Equipped With a Dual Flushing Device
- US EPA WaterSense Specification for Tank-Type Toilets Version 1.2 (June 2, 2014 edition)

IMPORTANT:

Dimensions of fixtures are nominal and may vary within the range of tolerances established by ANSI Standard A112.19.2M

3092 ELONGATED ONE-PIECE TOILET



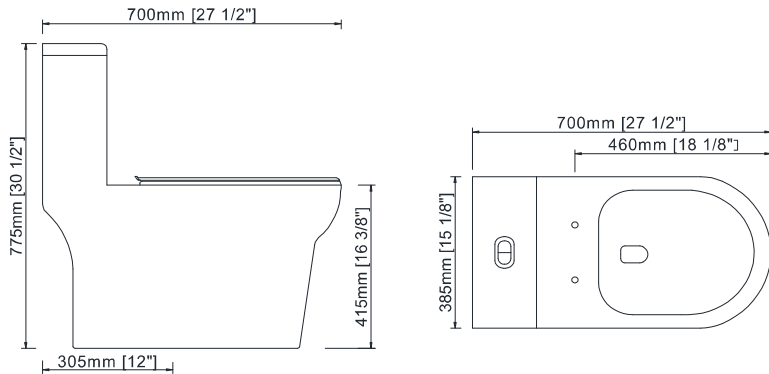
FEATURES:

- ☆ Vitreous China
- ☆ One-piece toilet integrate the tank and bowl into a seamless, easy-to-clean design
- ☆ Elongated siphonage action bowl
- ☆ CSA listed for USA and Canadian Code compliances
EPA WaterSense listed with 1.28gpf
- ☆ 3" dual water flush valve, CUPC certified
- ☆ 2-1/2" fully glazed trap way
- ☆ S-trap, 12" rough-in
- ☆ Soft close seat cover
- ☆ 100% factory flush tested
- ☆ Includes color matched bolts blocks
- ☆ Chrome-plated top button



NOMINAL OVERALL DIMENSION:

Length x Depth x Height
(700mm x 385mm x 775mm, 27-1/2" x 15-1/8" x 30-1/2")



Compliance Certifications-Meets or Exceeds the following Specifications:

- ASME A112.19.2-2018/CSA B45.1-18 - Ceramic plumbing fixtures
- ASME A112.19.14-2013 - Six-Liter Water Closets Equipped With a Dual Flushing Device
- US EPA WaterSense Specification for Tank-Type Toilets Version 1.2 (June 2, 2014 edition)

IMPORTANT:

Dimensions of fixtures are nominal and may vary within the range of tolerances established by ANSI Standard A112.19.2M

3094 ELONGATED ONE-PIECE TOILET



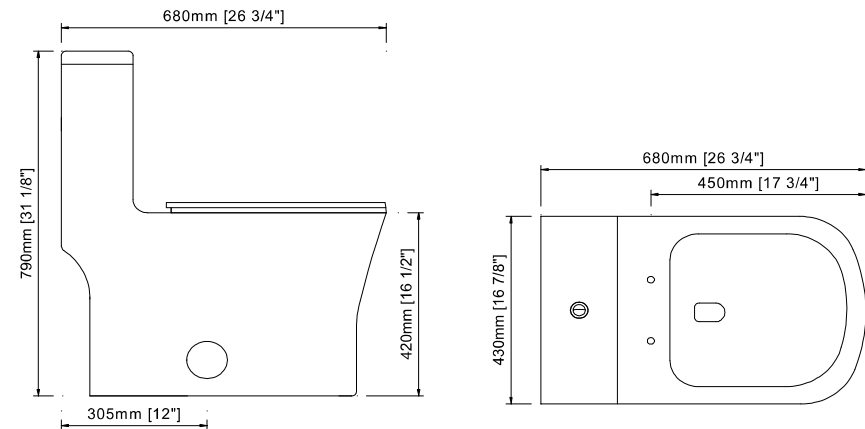
FEATURES:

- ☆ Vitreous China
- ☆ One-piece toilet integrate the tank and bowl into a seamless, easy-to-clean design
- ☆ Elongated siphonage action bowl
- ☆ CSA listed for USA and Canadian Code compliances
EPA WaterSense listed with 1.28gpf
- ☆ 3" dual water flush valve, CUPC certified
- ☆ 2-1/2" fully glazed trap way
- ☆ S-trap, 12" rough-in
- ☆ Soft close seat cover
- ☆ 100% factory flush tested
- ☆ Includes color matched bolts blocks
- ☆ Chrome-plated top button



NOMINAL OVERALL DIMENSION:

Length x Depth x Height
(680mm x 430mm x 790mm, 26-3/4" x 16-7/8" x 31-1/8")



Compliance Certifications-Meets or Exceeds the following Specifications:

- ASME A112.19.2-2018/CSA B45.1-18 - Ceramic plumbing fixtures
- ASME A112.19.14-2013 - Six-Liter Water Closets Equipped With a Dual Flushing Device
- US EPA WaterSense Specification for Tank-Type Toilets Version 1.2 (June 2, 2014 edition)

IMPORTANT:

Dimensions of fixtures are nominal and may vary within the range of tolerances established by ANSI Standard A112.19.2M

V8200 / V8700 ONE-PIECE INTELLIGENT TOILET



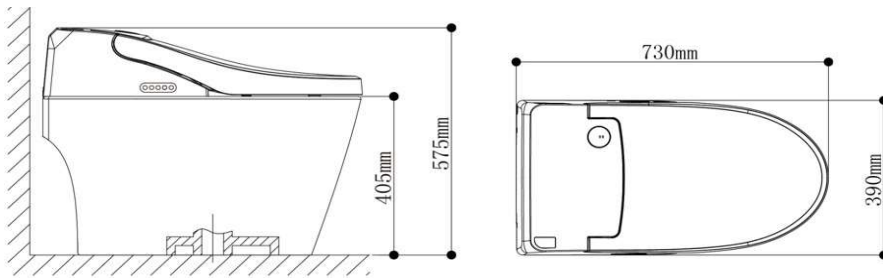
FEATURES:

- ☆ One-piece elongated bowl
- ☆ V8200: One-piece Intelligent Toilet with auto lid open/close
- ☆ V8700 : One-piece Intelligent Toilet
- ☆ With functions of self-cleaning, drying and heating
- ☆ Personalized settings control heat seat, dryer and water temperature
- ☆ Remote Control
- ☆ S-trap, 12" rough-in
- ☆ 100% factory strict safety and reliable test



NOMINAL OVERALL DIMENSION:

Length x Depth x Height
(730mm x 390mm x 575mm, 28-3/4" x 15-3/8" x 22-5/8")



Compliance Certifications-Meets or Exceeds the following Specifications:

- Personal Hygiene and Health Care Appliance - UL 1431, 3rd Edition, Dated March 23, 2011, Revised October 12, 2012
- Motor-operated appliances (Household and commercial) - CSA C22.2. No. 68-14 Updated No. 3
- Household Cooking and Liquid-Heating Appliances - CSA C22.2 No. 64-14

IMPORTANT:

Dimensions of fixtures are nominal and may vary within the range of tolerances established by ANSI Standard A112.19.2M.

PRODUCT DISPLAY:



V8200 / V8700 ONE-PIECE INTELLIGENT TOILET



MAIN PART-TOILET SEAT COVER:



SPECIFICATION:

Rated Voltage	AC220V-240V
Rating Power	Max. 1635W Rated 1105W
Water Volume	4L/6L
Drainage Method	down-drain
Water Pressure	0.05-0.8Mpa
Operating Mode	Remote Control
Heating Method	Instant Heating



MAIN FUNCTION:

Cleaning Mode	Rear Cleaning
	Spray cleaning position adjustment
Cleaning Way	Water pressure adjustment
	Massage cleaning
	Water temperature adjustment
	Personal auto setting
Heated Seat	Temperature adjustment
Drying	Warm wind drying
	Temperature adjustment
Intelligent set-up	Auto lid, soft-closing, optional
	Auto deodorant
	Intelligent night light
Flush	Optional remote control flush
	Manual flush
	Automatic flush

3093-I SMART TOILET



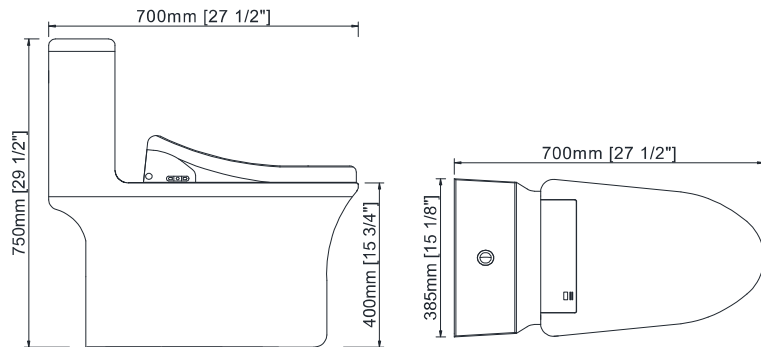
FEATURES:

- ☆ Vitreous China
- ☆ Intelligent seat cover
- ☆ With function of self-cleaning, drying and heating
- ☆ Personalized settings control heat seat, dryer and water temperature
- ☆ Remote Control
- ☆ CSA listed for USA and Canadian Code compliances
EPA WaterSense listed with 1.28gpf
- ☆ 2" dual water flush valve, CUPC certificated
- ☆ 2" fully glazed trap way
- ☆ S-trap, 12" rough-in
- ☆ 100% factory flush tested
- ☆ Chrome-plated top button



NOMINAL OVERALL DIMENSION:

Length x Depth x Height
(700mm x 385mm x 750mm, 27-1/2" x 15-1/8" x 29-1/2")



Compliance Certifications-Meets or Exceeds the following Specifications:

- ASME A112.19.2-2018/CSA B45.1-18 - Ceramic plumbing fixtures
- ASME A112.19.14-2013 - Six-Liter Water Closets Equipped With a Dual Flushing Device
- US EPA WaterSense Specification for Tank-Type Toilets Version 1.2 (June 2, 2014 edition)
- Personal Hygiene and Health Care Appliance - UL 1431, 3rd Edition, Dated March 23, 2011, Revised October 12, 2012
- Motor-operated appliances (Household and commercial) - CSA C22.2. No. 68-14 Updated No. 3
- Household Cooking and Liquid-Heating Appliances - CSA C22.2 No. 64-14

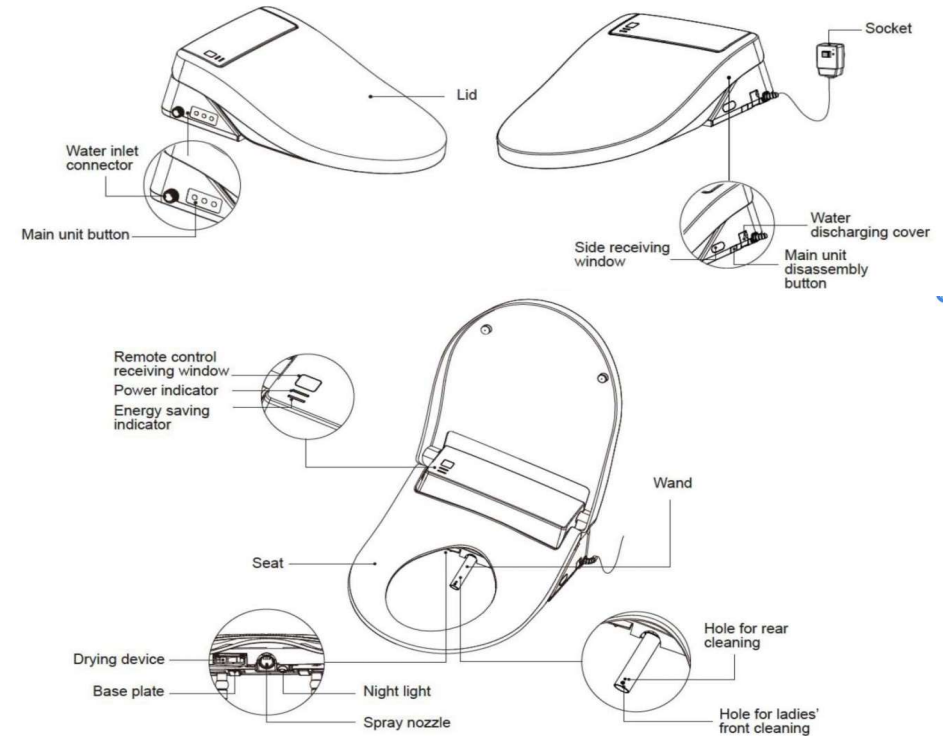
IMPORTANT:

Dimensions of fixtures are nominal and may vary within the range of tolerances established by ANSI Standard A112.19.2M

3093-I SMART TOILET



MAIN UNIT (CT-V8100-04) IDENTIFICATION:



PRODUCT DISPLAY:



8008/8008S ELONGATED ONE-PIECE TOILET



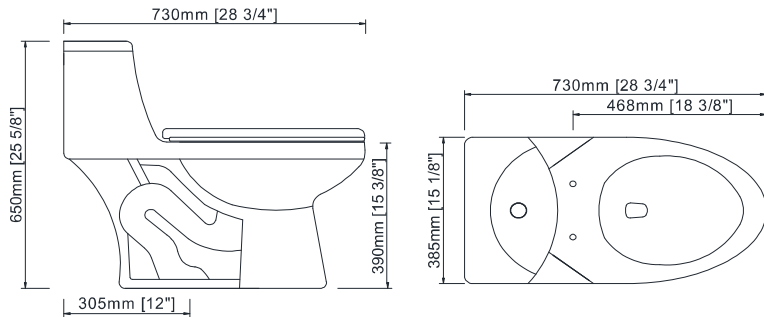
FEATURES:

- ☆ Vitreous China
- ☆ One-piece toilet integrate the tank and bowl into a seamless, easy-to-clean design
- ☆ Elongated siphonage action bowl
- ☆ CSA listed for USA and Canadian Code compliances
- ☆ 8008: 1.6gpf with Dual flush
8008S: EPA WaterSense listed with 1.28gpf, with Single flush
- ☆ 2" water flush valve, CUPC certificated
- ☆ 2" fully glazed trap way
- ☆ S-trap, 12" rough-in
- ☆ Soft close seat cover
- ☆ 100% factory flush tested
- ☆ Includes color matched bolts blocks
- ☆ Chrome-plated top button



NOMINAL OVERALL DIMENSION:

Length x Width x Height
(730mm x 385mm x 650mm, 28-3/4" x 15-1/8" x 25-5/8")



Compliance Certifications-Meets or Exceeds the following Specifications:

- ASME A112.19.2-2018/CSA B45.1-18 - Ceramic plumbing fixtures
- ASME A112.19.14-2013 - Six-Liter Water Closets Equipped With a Dual Flushing Device
- US EPA WaterSense Specification for Tank-Type Toilets Version 1.2 (June 2, 2014 edition)

IMPORTANT:

Dimensions of fixtures are nominal and may vary within the range of tolerances established by ANSI Standard A112.19.2M.

3098 ELONGATED ONE-PIECE TOILET



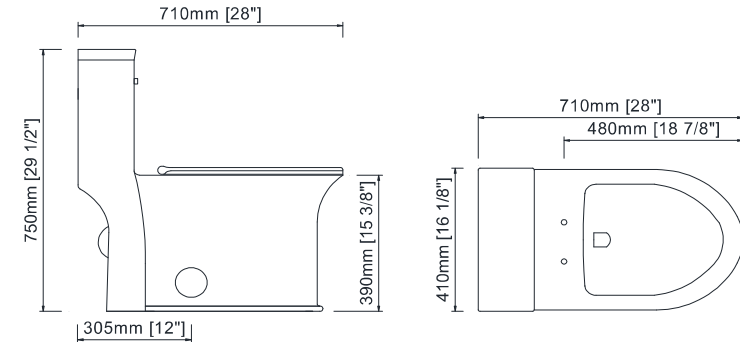
FEATURES:

- ☆ Vitreous China
- ☆ One-piece toilet integrate the tank and bowl into a seamless, easy-to-clean design
- ☆ Elongated siphonage action bowl
- ☆ 3" dual water flush valve, CUPC certificated
- ☆ 2" fully glazed trap way
- ☆ S-trap, 12" rough-in
- ☆ Soft close seat cover
- ☆ 100% factory flush tested
- ☆ Includes color matched bolts blocks
- ☆ Chrome-plated front handle



NOMINAL OVERALL DIMENSION:

Length x Depth x Height
(710mm x 410mm x 750mm, 28" x 16-1/8" x 29-1/2")



IMPORTANT:

Dimensions of fixtures are nominal and may vary within the range of tolerances established by ANSI Standard A112.19.2M

PRODUCT DISPLAY:



SK25 (5620)
DROP-IN LAVATORY



FEATURES:

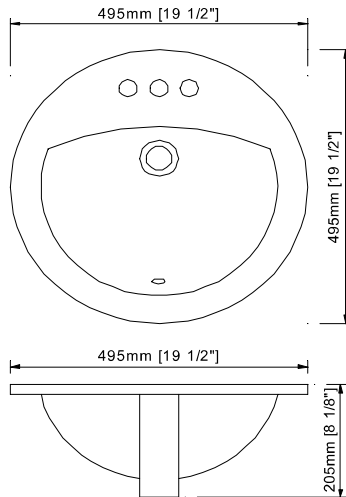
- ☆ Vitreous China
- ☆ Oval basin
- ☆ Three faucet holes
- ☆ With front overflow
- ☆ Drop-in installation
- ☆ Drain is not included



NOMINAL OVERALL DIMENSION:

Length x Depth x Height

(495mm x 495mm x 205mm, 19-1/2" x 19-1/2" x 8-1/8")



Compliance Certifications-Meets or Exceeds the following Specifications:

- ASME A112.19.2-2018/CSA B45.1-18 - Ceramic plumbing fixtures

IMPORTANT:

Dimensions of fixtures are nominal and may vary within the range of tolerances established by ANSI Standard A112.19.2M.

SK5620A
DROP-IN LAVATORY



FEATURES:

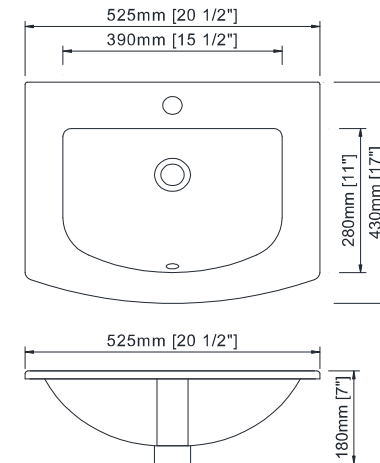
- ☆ Vitreous China
- ☆ Rectangular basin
- ☆ Single faucet hole
- ☆ With front overflow
- ☆ Drop-in installation
- ☆ Drain is not included



NOMINAL OVERALL DIMENSION:

Length x Depth x Height

(525mm x 430mm x 180mm, 20-1/2" x 17" x 7")



Compliance Certifications-Meets or Exceeds the following Specifications:

- ASME A112.19.2-2018/CSA B45.1-18 - Ceramic plumbing fixtures

IMPORTANT:

Dimensions of fixtures are nominal and may vary within the range of tolerances established by ANSI Standard A112.19.2M.

SK9050 (5621)
DROP-IN LAVATORY



FEATURES:

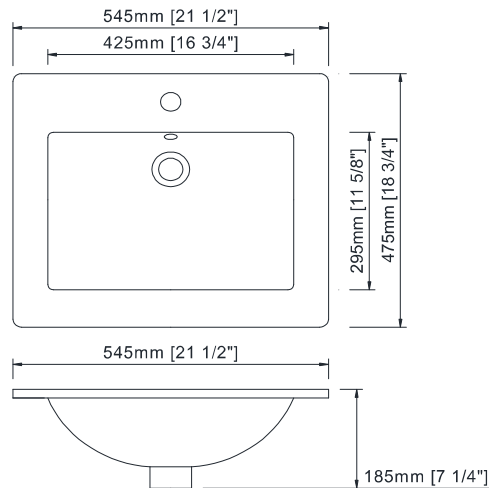
- ☆ Vitreous China
- ☆ Drop-in bathroom sink
- ☆ Single faucet hole
- ☆ With rear overflow
- ☆ Drop-in installation
- ☆ Drain is not included



NOMINAL OVERALL DIMENSION:

Length x Depth x Height

(545mm x 475mm x 185mm, 21-1/2" x 18-3/4" x 7-1/4")



Compliance Certifications-Meets or Exceeds the following Specifications:

- ASME A112.19.2-2018/CSA B45.1-18 - Ceramic plumbing fixtures

IMPORTANT:

Dimensions of fixtures are nominal and may vary within the range of tolerances established by ANSI Standard A112.19.2M.

SK5623B
DROP-IN LAVATORY



FEATURES:

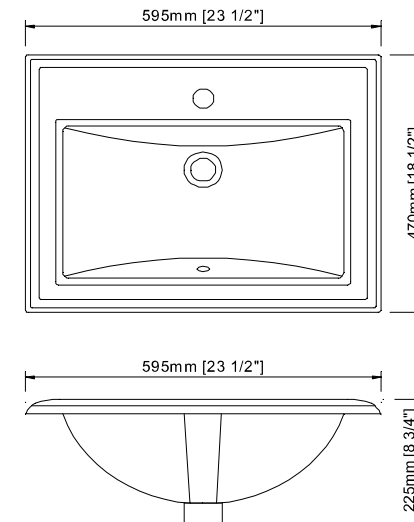
- ☆ Vitreous China
- ☆ Drop-in bathroom sink
- ☆ Single faucet hole
- ☆ With front overflow
- ☆ Drop-in installation
- ☆ Drain is not included



NOMINAL OVERALL DIMENSION:

Length x Depth x Height

(595mm x 470mm x 225mm, 23-1/2" x 18-1/2" x 8-3/4")



Compliance Certifications-Meets or Exceeds the following Specifications:

- ASME A112.19.2-2018/CSA B45.1-18 - Ceramic plumbing fixtures

IMPORTANT:

Dimensions of fixtures are nominal and may vary within the range of tolerances established by ANSI Standard A112.19.2M.

SK-1708 (5817) UNDER COUNTER BASIN



FEATURES:

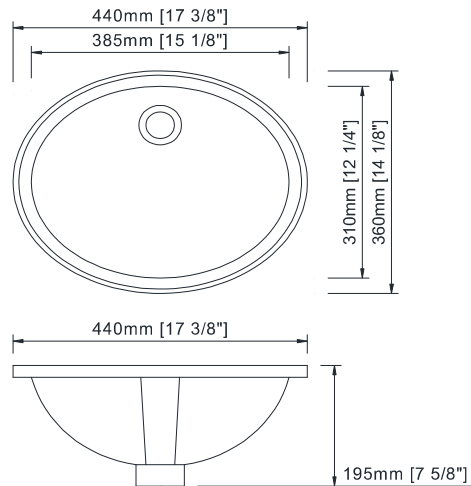
- ☆ Vitreous China
- ☆ Oval basin
- ☆ No faucet hole, requires wall-mounted or counter-mounted faucet
- ☆ Without overflow
- ☆ Undermount installation
- ☆ Installation clips is optional
- ☆ Drain is not included



NOMINAL OVERALL DIMENSION:

Length x Depth x Height

(440mm x 360mm x 195mm, 17-3/8" x 14-1/8" x 7-5/8")



Compliance Certifications-Meets or Exceeds the following Specifications:

- ASME A112.19.2-2018/CSA B45.1-18 - Ceramic plumbing fixtures

IMPORTANT:

Dimensions of fixtures are nominal and may vary within the range of tolerances established by ANSI Standard A112.19.2M.

SK-2287N (5819B-N) UNDER COUNTER BASIN



FEATURES:

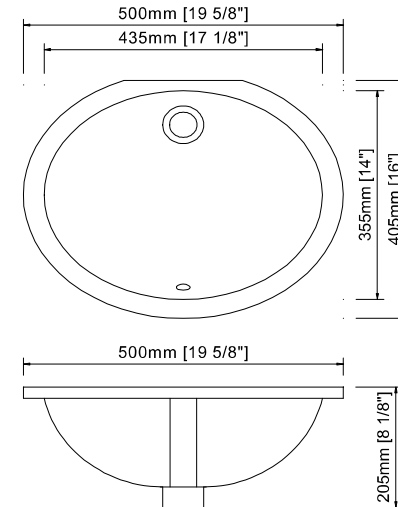
- ☆ Vitreous China
- ☆ Oval basin
- ☆ No faucet hole, requires wall-mounted or counter-mounted faucet
- ☆ With overflow
- ☆ Undermount installation
- ☆ Installation clips is optional
- ☆ Drain is not included



NOMINAL OVERALL DIMENSION:

Length x Depth x Height

(500mm x 405mm x 205mm, 19-5/8" x 16" x 8-1/8")



Compliance Certifications-Meets or Exceeds the following Specifications:

- ASME A112.19.2-2018/CSA B45.1-18 - Ceramic plumbing fixtures

IMPORTANT:

Dimensions of fixtures are nominal and may vary within the range of tolerances established by ANSI Standard A112.19.2M.

SK-L21 (5821D) UNDER COUNTER BASIN



FEATURES:

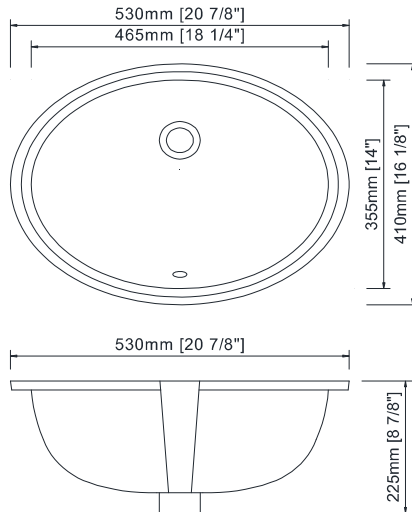
- ☆ Vitreous China
- ☆ Oval basin
- ☆ No faucet hole, requires wall-mounted or counter-mounted faucet
- ☆ With overflow
- ☆ Undermount installation
- ☆ Installation clips is optional
- ☆ Drain is not included



NOMINAL OVERALL DIMENSION:

Length x Depth x Height

(530mm x 410mm x 225mm, 20-7/8" x 16-1/8" x 8-7/8")



Compliance Certifications-Meets or Exceeds the following Specifications:

- ASME A112.19.2-2018/CSA B45.1-18 - Ceramic plumbing fixtures

IMPORTANT:

Dimensions of fixtures are nominal and may vary within the range of tolerances established by ANSI Standard A112.19.2M

SK-1814 (5818A) UNDER COUNTER BASIN



FEATURES:

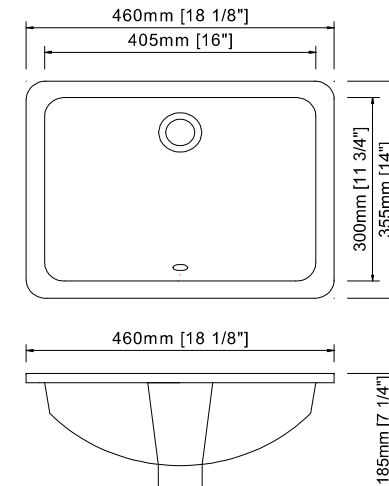
- ☆ Vitreous China
- ☆ Rectangular basin
- ☆ No faucet hole, requires wall-mounted or counter-mounted faucet
- ☆ With overflow
- ☆ Undermount installation
- ☆ Installation clips is optional
- ☆ Drain is not included



NOMINAL OVERALL DIMENSION:

Length x Depth x Height

(460mm x 355mm x 185mm, 18-1/8" x 14" x 7-1/4")



Compliance Certifications-Meets or Exceeds the following Specifications:

- ASME A112.19.2-2018/CSA B45.1-18 - Ceramic plumbing fixtures

IMPORTANT:

Dimensions of fixtures are nominal and may vary within the range of tolerances established by ANSI Standard A112.19.2M.

SK-2254 (5821A) UNDER COUNTER BASIN



FEATURES:

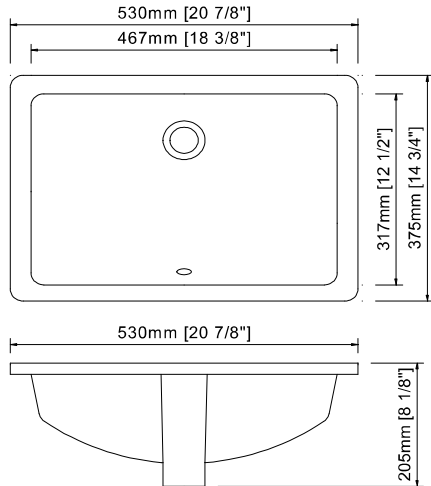
- ☆ Vitreous China
- ☆ Rectangular basin
- ☆ No faucet hole, requires wall-mounted or counter-mounted faucet
- ☆ With overflow
- ☆ Undermount installation
- ☆ Installation clips is optional
- ☆ Drain is not included



NOMINAL OVERALL DIMENSION:

Length x Depth x Height

(530mm x 375mm x 205mm, 20-7/8" x 14-3/4" x 8-1/8")



Compliance Certifications-Meets or Exceeds the following Specifications:

- ASME A112.19.2-2018/CSA B45.1-18 - Ceramic plumbing fixtures

IMPORTANT:

Dimensions of fixtures are nominal and may vary within the range of tolerances established by ANSI Standard A112.19.2M.

SK-2405 (5824) UNDER COUNTER BASIN



FEATURES:

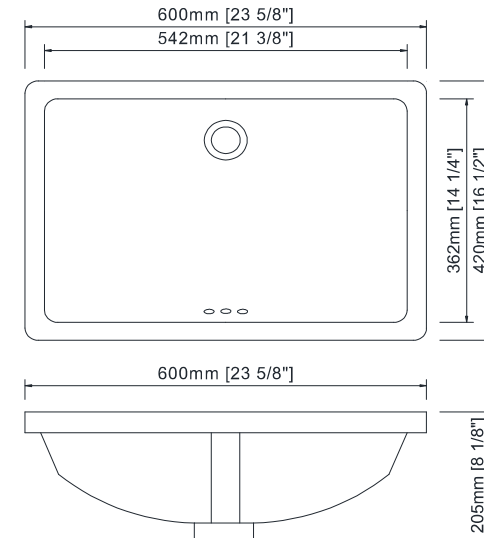
- ☆ Vitreous China
- ☆ Rectangular basin
- ☆ No faucet hole, requires wall-mounted or counter-mounted faucet
- ☆ With overflow
- ☆ Undermount installation
- ☆ Installation clips is optional
- ☆ Drain is not included



NOMINAL OVERALL DIMENSION:

Length x Depth x Height

(600mm x 420mm x 205mm, 23-5/8" x 16-1/2" x 8-1/8")



Compliance Certifications-Meets or Exceeds the following Specifications:

- ASME A112.19.2-2018/CSA B45.1-18 - Ceramic plumbing fixtures

IMPORTANT:

Dimensions of fixtures are nominal and may vary within the range of tolerances established by ANSI Standard A112.19.2M.

SK-2012 (5817B)
UNDER COUNTER BASIN



FEATURES:

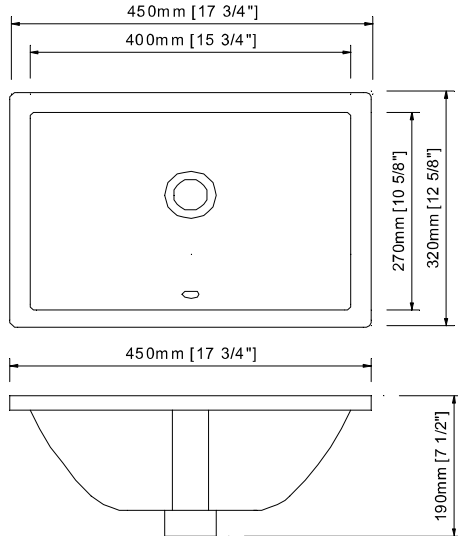
- ☆ Vitreous China
- ☆ Rectangular basin
- ☆ No faucet hole, requires wall-mounted or counter-mounted faucet
- ☆ With overflow
- ☆ Undermount installation
- ☆ Installation clips is optional
- ☆ Drain is not included



NOMINAL OVERALL DIMENSION:

Length x Depth x Height

(450mm x 320mm x 190mm, 17-3/4" x 12-5/8" x 7-1/2")



Compliance Certifications-Meets or Exceeds the following Specifications:

- ASME A112.19.2-2018/CSA B45.1-18 - Ceramic plumbing fixtures

IMPORTANT:

Dimensions of fixtures are nominal and may vary within the range of tolerances established by ANSI Standard A112.19.2M

SK-2013 (5820)
UNDER COUNTER BASIN



FEATURES:

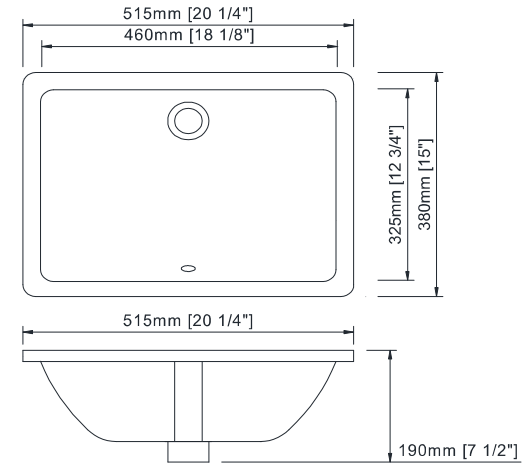
- ☆ Vitreous China
- ☆ Rectangular basin
- ☆ No faucet hole, requires wall-mounted or counter-mounted faucet
- ☆ With overflow
- ☆ Undermount installation
- ☆ Installation clips is optional
- ☆ Drain is not included



NOMINAL OVERALL DIMENSION:

Length x Depth x Height

(515mm x 380mm x 190mm, 20-1/4" x 15" x 7-1/2")



Compliance Certifications-Meets or Exceeds the following Specifications:

- ASME A112.19.2-2018/CSA B45.1-18 - Ceramic plumbing fixtures

IMPORTANT:

Dimensions of fixtures are nominal and may vary within the range of tolerances established by ANSI Standard A112.19.2M

SK-5820E UNDER COUNTER BASIN



FEATURES:

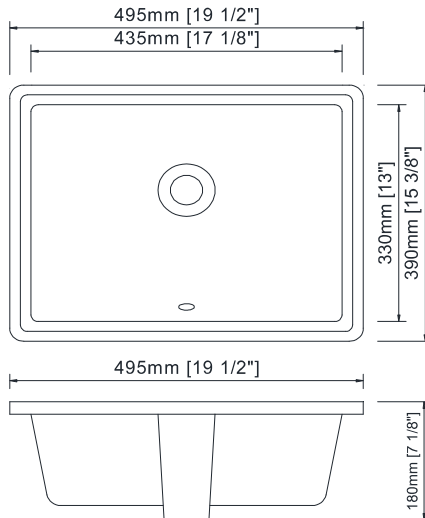
- ☆ Vitreous China
- ☆ Rectangular basin
- ☆ No faucet hole, requires wall-mounted or counter-mounted faucet
- ☆ With overflow
- ☆ Undermount installation
- ☆ Installation clips is optional
- ☆ Drain is not included



NOMINAL OVERALL DIMENSION:

Length x Depth x Height

(495mm x 390mm x 180mm, 19-1/2" x 15-3/8" x 7-1/8")



Compliance Certifications-Meets or Exceeds the following Specifications:

- ASME A112.19.2-2018/CSA B45.1-18 - Ceramic plumbing fixtures

IMPORTANT:

Dimensions of fixtures are nominal and may vary within the range of tolerances established by ANSI Standard A112.19.2M

SK-2005 (5821B) UNDER COUNTER BASIN



FEATURES:

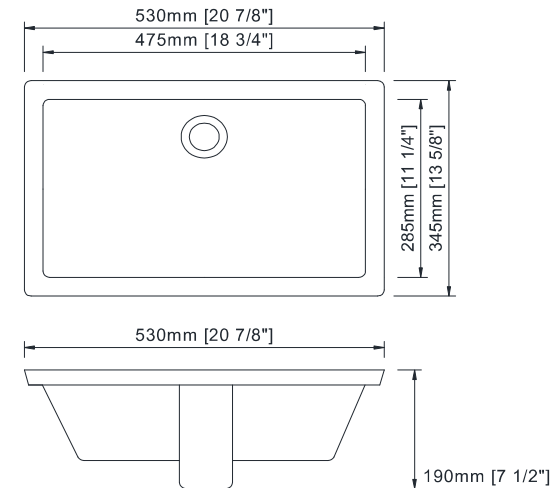
- ☆ Vitreous China
- ☆ Rectangular basin
- ☆ No faucet hole, requires wall-mounted or counter-mounted faucet
- ☆ With overflow
- ☆ Undermount installation
- ☆ Installation clips is optional
- ☆ Drain is not included



NOMINAL OVERALL DIMENSION:

Length x Depth x Height

(530mm x 345mm x 190mm, 20-7/8" x 13-5/8" x 7-1/2")



Compliance Certifications-Meets or Exceeds the following Specifications:

- ASME A112.19.2-2018/CSA B45.1-18 - Ceramic plumbing fixtures

IMPORTANT:

Dimensions of fixtures are nominal and may vary within the range of tolerances established by ANSI Standard A112.19.2M

SK-1713 (5820C) UNDER COUNTER BASIN



FEATURES:

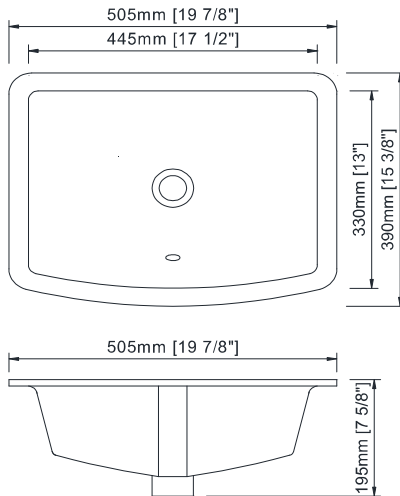
- ☆ Vitreous China
- ☆ Rectangular basin
- ☆ No faucet hole, requires wall-mounted or counter-mounted faucet
- ☆ With overflow
- ☆ Undermount installation
- ☆ Installation clips is optional
- ☆ Drain is not included



NOMINAL OVERALL DIMENSION:

Length x Depth x Height

(505mm x 390mm x 195mm, 19-7/8" x 15-3/8" x 7-5/8")



Compliance Certifications-Meets or Exceeds the following Specifications:

- ASME A112.19.2-2018/CSA B45.1-18 - Ceramic plumbing fixtures

IMPORTANT:

Dimensions of fixtures are nominal and may vary within the range of tolerances established by ANSI Standard A112.19.2M.

SK-1996 (5818C) UNDER COUNTER BASIN



FEATURES:

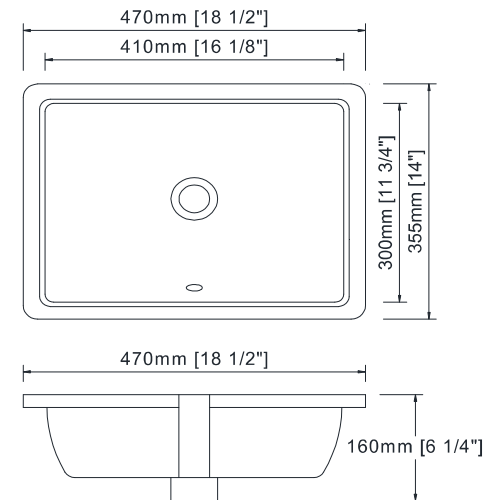
- ☆ Vitreous China
- ☆ Rectangular ADA basin
- ☆ No faucet hole, requires wall-mounted or counter-mounted faucet
- ☆ With overflow
- ☆ Undermount installation
- ☆ Installation clips is optional
- ☆ Drain is not included



NOMINAL OVERALL DIMENSION:

Length x Depth x Height

(470mm x 355mm x 160mm, 18-1/2" x 14" x 6-1/4")



Compliance Certifications-Meets or Exceeds the following Specifications:

- ASME A112.19.2-2018/CSA B45.1-18 - Ceramic plumbing fixtures

IMPORTANT:

Dimensions of fixtures are nominal and may vary within the range of tolerances established by ANSI Standard A112.19.2M.

SK-2401 (5821C) UNDER COUNTER BASIN



FEATURES:

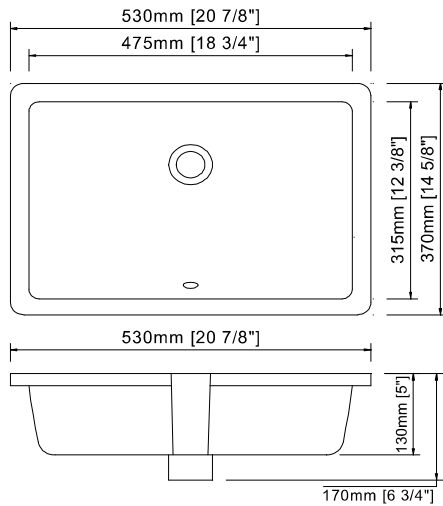
- ☆ Vitreous China
- ☆ Rectangular basin
- ☆ No faucet hole, requires wall-mounted or counter-mounted faucet
- ☆ With overflow
- ☆ Undermount installation
- ☆ Installation clips is optional
- ☆ Drain is not included



NOMINAL OVERALL DIMENSION:

Length x Depth x Height

(530mm x 370mm x 170mm, 20-7/8" x 14-5/8" x 6-3/4")



Compliance Certifications-Meets or Exceeds the following Specifications:

- ASME A112.19.2-2018/CSA B45.1-18 - Ceramic plumbing fixtures

IMPORTANT:

Dimensions of fixtures are nominal and may vary within the range of tolerances established by ANSI Standard A112.19.2M

TP5912 ARTISTIC BASIN



FEATURES:

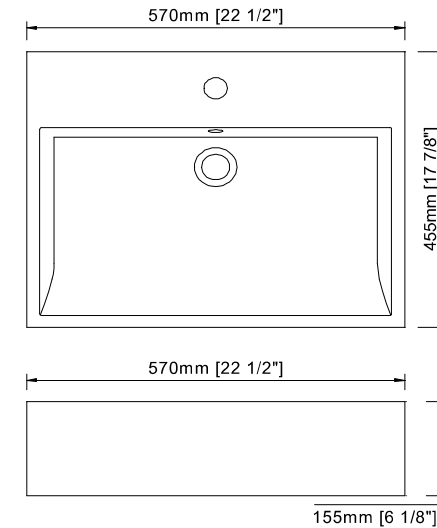
- ☆ Vitreous China
- ☆ Rectangular basin
- ☆ Single faucet hole
- ☆ With rear overflow
- ☆ Above-counter installation
- ☆ Drain is not included



NOMINAL OVERALL DIMENSION:

Length x Depth x Height

(570mm x 455mm x 155mm, 22-1/2" x 17-7/8" x 6-1/8")



Compliance Certifications-Meets or Exceeds the following Specifications:

- ASME A112.19.2-2018/CSA B45.1-18 - Ceramic plumbing fixtures

IMPORTANT:

Dimensions of fixtures are nominal and may vary within the range of tolerances established by ANSI Standard A112.19.2M

TP7657
ARTISTIC BASIN



FEATURES:

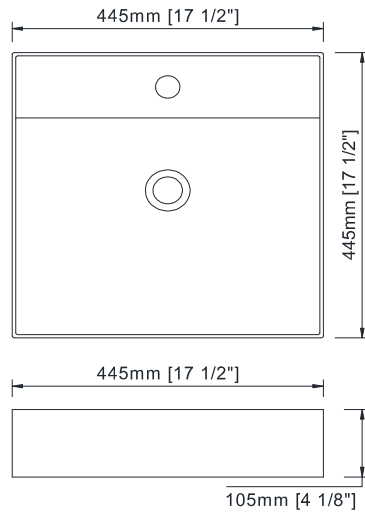
- ☆ Vitreous China
- ☆ Square basin
- ☆ Single faucet hole
- ☆ Without overflow
- ☆ Above-counter installation
- ☆ Drain is not included



NOMINAL OVERALL DIMENSION:

Length x Depth x Height

(445mm x 445mm x 105mm, 17-1/2" x 17-1/2" x 4-1/8")



Compliance Certifications-Meets or Exceeds the following Specifications:

- ASME A112.19.2-2018/CSA B45.1-18 - Ceramic plumbing fixtures

IMPORTANT:

Dimensions of fixtures are nominal and may vary within the range of tolerances established by ANSI Standard A112.19.2M

TP5919
ARTISTIC BASIN



FEATURES:

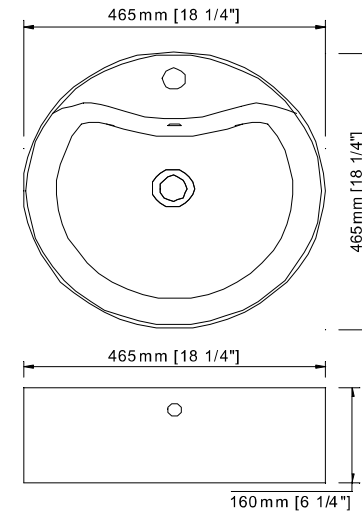
- ☆ Vitreous China
- ☆ Round basin
- ☆ Single faucet hole
- ☆ With rear overflow
- ☆ Above-counter installation
- ☆ Drain is not included



NOMINAL OVERALL DIMENSION:

Length x Depth x Height

(465mm x 465mm x 160mm, 18-1/4" x 18-1/4" x 6-1/4")



Compliance Certifications-Meets or Exceeds the following Specifications:

- ASME A112.19.2-2018/CSA B45.1-18 - Ceramic plumbing fixtures

IMPORTANT:

Dimensions of fixtures are nominal and may vary within the range of tolerances established by ANSI Standard A112.19.2M

TP5933
ARTISTIC BASIN



FEATURES:

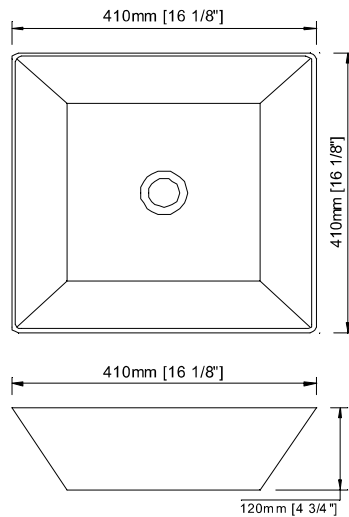
- ☆ Vitreous China
- ☆ Square basin
- ☆ No faucet hole, requires wall-mounted or counter-mounted faucet
- ☆ Without overflow
- ☆ Above-counter installation
- ☆ Drain is not included



NOMINAL OVERALL DIMENSION:

Length x Depth x Height

(410mm x 410mm x 120mm, 16-1/8" x 16-1/8" x 4-3/4")



Compliance Certifications-Meets or Exceeds the following Specifications:

- ASME A112.19.2-2018/CSA B45.1-18 - Ceramic plumbing fixtures

IMPORTANT:

Dimensions of fixtures are nominal and may vary within the range of tolerances established by ANSI Standard A112.19.2M

TP5921
ARTISTIC BASIN



FEATURES:

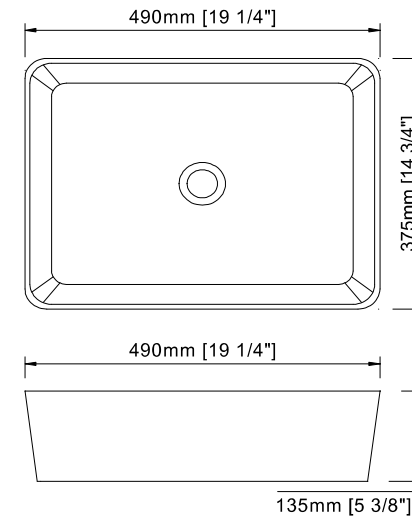
- ☆ Vitreous China
- ☆ Artistic basin
- ☆ No faucet hole, requires wall-mounted or counter-mounted faucet
- ☆ Without overflow
- ☆ Above-counter installation
- ☆ Drain is not included



NOMINAL OVERALL DIMENSION:

Length x Depth x Height

(490mm x 375mm x 135mm, 19-1/4" x 14-3/4" x 5-13/8")



Compliance Certifications-Meets or Exceeds the following Specifications:

- ASME A112.19.2-2018/CSA B45.1-18 - Ceramic plumbing fixtures

IMPORTANT:

Dimensions of fixtures are nominal and may vary within the range of tolerances established by ANSI Standard A112.19.2M

TP7813
ARTISTIC BASIN



FEATURES:

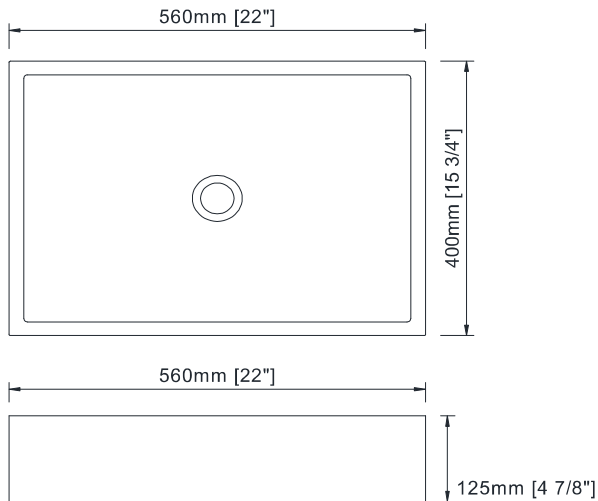
- ☆ Vitreous China
- ☆ Rectangular artistic basin
- ☆ No faucet hole, requires wall-mounted or counter-mounted faucet
- ☆ Without overflow
- ☆ Above-counter installation
- ☆ Drain is not included



NOMINAL OVERALL DIMENSION:

Length x Depth x Height

(560mm x 400mm x 125mm, 22" x 15-3/4" x 4-7/8")



Compliance Certifications-Meets or Exceeds the following Specifications:

- ASME A112.19.2-2018/CSA B45.1-18 - Ceramic plumbing fixtures

IMPORTANT:

Dimensions of fixtures are nominal and may vary within the range of tolerances established by ANSI Standard A112.19.2M

TP5902
ARTISTIC BASIN



FEATURES:

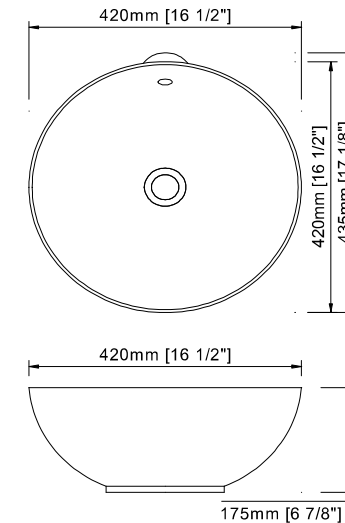
- ☆ Vitreous China
- ☆ Round artistic basin
- ☆ No faucet hole, requires wall-mounted or counter-mounted faucet
- ☆ With overflow
- ☆ Above-counter installation
- ☆ Drain is not included



NOMINAL OVERALL DIMENSION:

Length x Depth x Height

(420mm x 435mm x 175mm, 16-1/2" x 17-1/8" x 6-7/8")



Compliance Certifications-Meets or Exceeds the following Specifications:

- ASME A112.19.2-2018/CSA B45.1-18 - Ceramic plumbing fixtures

IMPORTANT:

Dimensions of fixtures are nominal and may vary within the range of tolerances established by ANSI Standard A112.19.2M

TP2113
ARTISTIC BASIN



FEATURES:

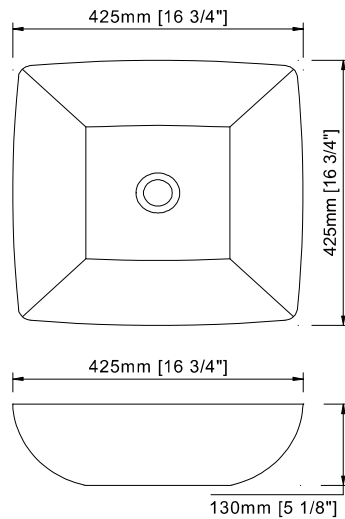
- ☆ Vitreous China
- ☆ Artistic basin
- ☆ No faucet hole, requires wall-mounted or counter-mounted faucet
- ☆ Without overflow
- ☆ Above-counter installation
- ☆ Drain is not included



NOMINAL OVERALL DIMENSION:

Length x Depth x Height

(425mm x 425mm x 130mm, 20-7/8" x 16-1/8" x 8-7/8")



IMPORTANT:

Dimensions of fixtures are nominal and may vary within the range of tolerances established by ANSI Standard A112.19.2M

TP419-W/B
ARTISTIC BASIN



FEATURES:

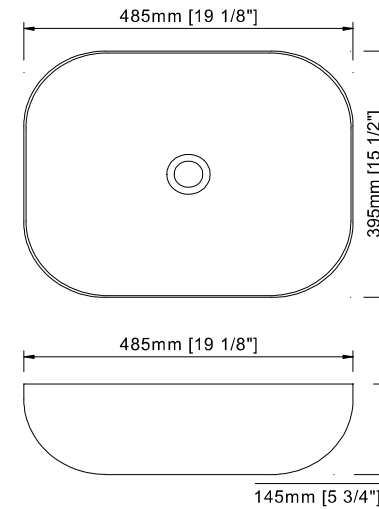
- ☆ Vitreous China
- ☆ Color basin, white and black color optional
- ☆ No faucet hole, requires wall-mounted or counter-mounted faucet
- ☆ Without overflow
- ☆ Above-counter installation
- ☆ Drain is not included



NOMINAL OVERALL DIMENSION:

Length x Depth x Height

(485mm x 395mm x 145mm, 19-1/8" x 15-1/2" x 5-3/4")



IMPORTANT:

Dimensions of fixtures are nominal and may vary within the range of tolerances established by ANSI Standard A112.19.2M

TP2300B / TP2300 / TP8033
ARTISTIC BASIN



FEATURES:

- ☆ Vitreous China
- ☆ Sloped rectangular artistic basin
- ☆ No faucet hole, requires wall-mounted or counter-mounted faucet
- ☆ Without overflow
- ☆ Above-counter installation
- ☆ Drain is not included



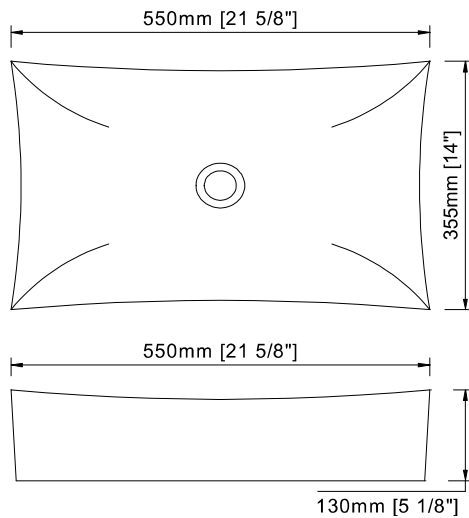
NOMINAL OVERALL DIMENSION:

Length x Depth x Height

TP2300B: 550mm x 400mm x 130mm, 21-5/8" x 15-3/4" x 5-1/8"

TP2300: 650mm x 400mm x 130mm, 25-9/16" x 15-3/4" x 5-1/8"

TP8033: 670mm x 455mm x 150mm, 26-3/8" x 17-7/8" x 5-7/8"



Compliance Certifications-Meets or Exceeds the following Specifications:

- ASME A112.19.2-2018/CSA B45.1-18 - Ceramic plumbing fixtures

IMPORTANT:

Dimensions of fixtures are nominal and may vary within the range of tolerances established by ANSI Standard A112.19.2M

TPE408
ARTISTIC BASIN



FEATURES:

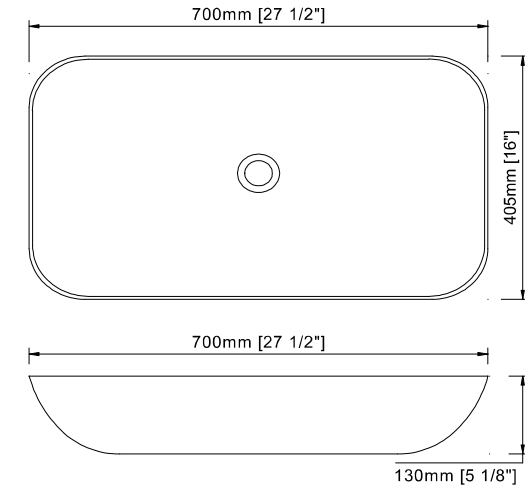
- ☆ Vitreous China
- ☆ Rectangular artistic basin
- ☆ No faucet hole, requires wall-mounted or counter-mounted faucet
- ☆ Without overflow
- ☆ Above-counter installation
- ☆ Drain is not included



NOMINAL OVERALL DIMENSION:

Length x Depth x Height

(700mm x 405mm x 130mm, 27-1/2" x 16" x 5-1/8")



Compliance Certifications-Meets or Exceeds the following Specifications:

- ASME A112.19.2-2018/CSA B45.1-18 - Ceramic plumbing fixtures

IMPORTANT:

Dimensions of fixtures are nominal and may vary within the range of tolerances established by ANSI Standard A112.19.2M

TP5915
ARTISTIC BASIN



FEATURES:

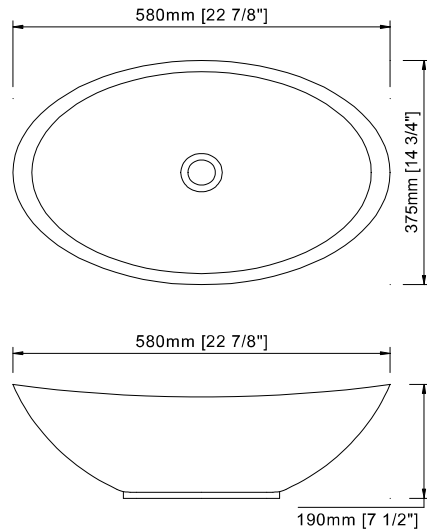
- ☆ Vitreous China
- ☆ Oval basin
- ☆ No faucet hole, requires wall-mounted or counter-mounted faucet
- ☆ With overflow
- ☆ Above-counter installation
- ☆ Drain is not included



TECHNICAL SPECIFICATION:

Length x Depth x Height

(580mm x 375mm x 190mm, 22-7/8" x 14-3/4" x 7-1/2")



IMPORTANT:

Dimensions of fixtures are nominal and may vary within the range of tolerances established by ANSI Standard A112.19.2M

TP7811A
ARTISTIC BASIN



FEATURES:

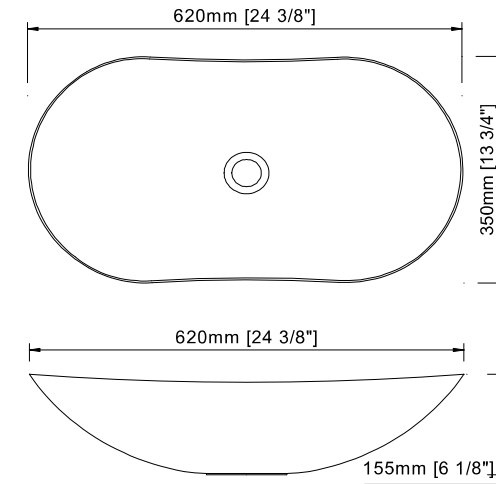
- ☆ Vitreous China
- ☆ Artistic basin
- ☆ No faucet hole, requires wall-mounted or counter-mounted faucet
- ☆ Without overflow
- ☆ Above-counter installation
- ☆ Drain is not included



TECHNICAL SPECIFICATION:

Length x Depth x Height

(620mm x 350mm x 155mm, 24-3/8" x 13-3/4" x 6-1/8")



Compliance Certifications-Meets or Exceeds the following Specifications:

- ASME A112.19.2-2018/CSA B45.1-18 - Ceramic plumbing fixtures

IMPORTANT:

Dimensions of fixtures are nominal and may vary within the range of tolerances established by ANSI Standard A112.19.2M

TP8747
ARTISTIC BASIN



FEATURES:

- ☆ Vitreous China
- ☆ Artistic basin
- ☆ No faucet hole, requires wall-mounted or counter-mounted faucet
- ☆ With overflow
- ☆ Above-counter installation
- ☆ Drain is not included

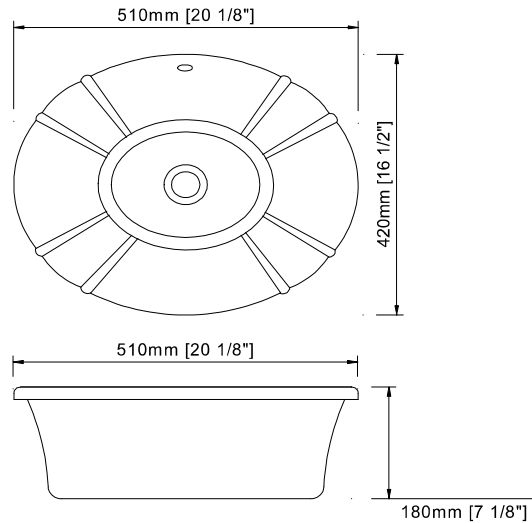


图片要换

TECHNICAL SPECIFICATION:

Length x Depth x Height

(510mm x 420mm x 180mm, 20-1/8" x 16-1/2" x 7-1/8")



IMPORTANT:

Dimensions of fixtures are nominal and may vary within the range of tolerances established by ANSI Standard A112.19.2M

ARTISTIC BASIN



TP5912N



Size: 23-1/4" x 18-1/8" x 6-3/4"

TP7657N



Size: 19-1/4" x 17-3/4" x 4-3/4"

TP7078A



Size: 16-1/8" x 16-1/8" x 6-1/4"

TP7812



Size: 18-1/8" x 16-1/8" x 6-7/8"

TP6505



Size: 22-1/2" x 16-3/4" x 6-3/4"

TP7812



Size: 18-1/8" x 16-1/8" x 6-7/8"



VANITY TOP

FEATURES:

- ☆ Vitreous China
- ☆ Rectangular basin
- ☆ Single faucet hole
- ☆ With rear overflow
- ☆ Countertop installation
- ☆ Drain is not included



NOMINAL OVERALL DIMENSION:

Length x Depth x Height

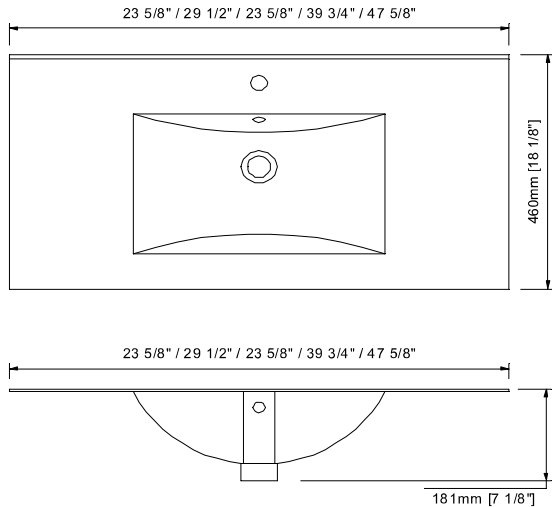
1824: 600mm x 460mm x 180mm, 23-5/8" x 18-1/8" x 7-1/8"

1830: 750mm x 460mm x 180mm, 29-1/2" x 18-1/8" x 7-1/8"

1836: 905mm x 460mm x 180mm, 35-5/8" x 18-1/8" x 7-1/8"

1840: 1010mm x 460mm x 180mm, 39-3/4" x 18-1/8" x 7-1/8"

1848: 1210mm x 460mm x 180mm, 47-5/8" x 18-1/8" x 7-1/8"



Compliance Certifications-Meets or Exceeds the following Specifications:

- ASME A112.19.2-2018/CSA B45.1-18 - Ceramic plumbing fixtures

IMPORTANT:

Dimensions of fixtures are nominal and may vary within the range of tolerances established by ANSI Standard A112.19.2M



GLASS VESSEL SINK

FEATURES:

- ☆ Material: Tempered glass
- ☆ Glass thickness: 12mm
- ☆ Without overflow
- ☆ Countertop installation
- ☆ Drain is not included



DIMENSION:

MODEL NUMBER	Surface Finish	SIZE	PACKING DIMENSION
TY-001	Clear	415*415*140mm	470*470*190mm
P-6318	Matt	420*420*145mm	480*480*200mm
S-44	Matt	420*420*145mm	480*480*200mm
SGE05035-1-A	Clear	420*420*145mm	480*480*200mm
SGE05004	Clear	420*420*145mm	480*480*200mm
SGE05006	Clear	420*420*145mm	480*480*200mm

PRODUCTS:



TY-001



P-6318



S-44



SGE05035-1-A



SGE05004



SGE05006

KS-3320S
APRON KITCHEN SINK



FEATURES:

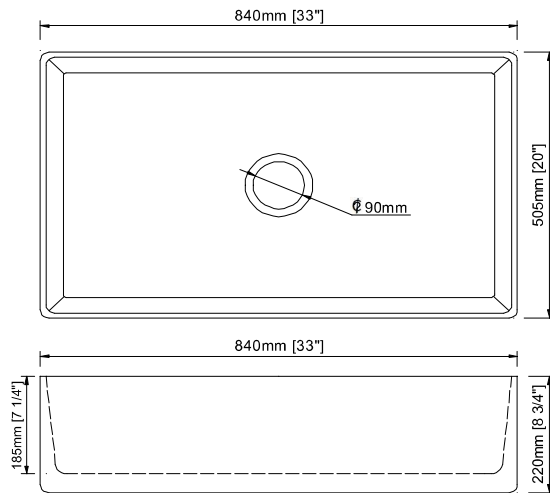
- ☆ Vitreous China
- ☆ Single bowl kitchen sink
- ☆ Without overflow
- ☆ Under-counter/Apron installation
- ☆ Drain is not included



NOMINAL OVERALL DIMENSION:

Length x Depth x Height

(840mm x 505mm x 220mm, 33" x 20" x 8-3/4")



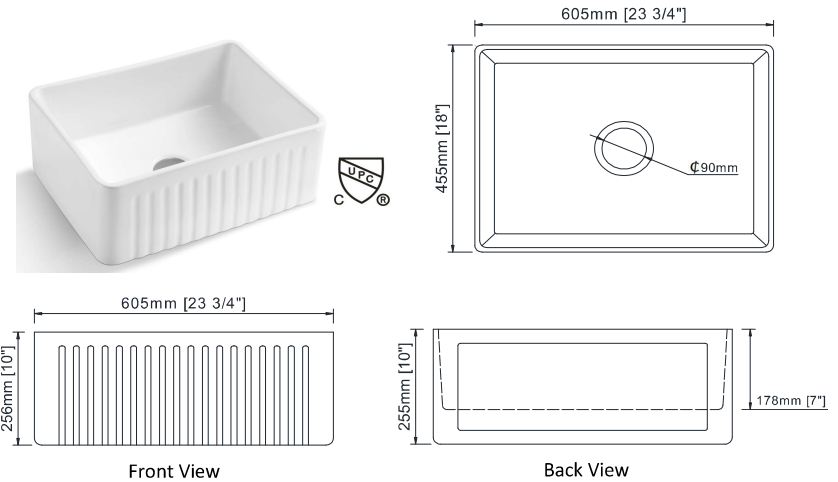
IMPORTANT:
 Dimensions of fixtures are nominal and may vary within the range of tolerances established by ANSI Standard A112.19.2M.

APRON KITCHEN SINK



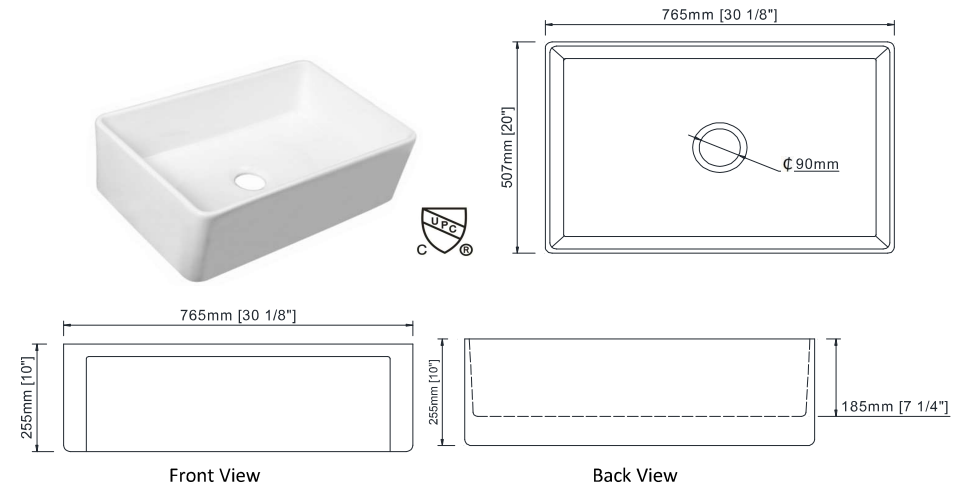
KS-2418

Size: 23-3/4" x 18" x 10"



KS-3019S

Size: 30-1/8" x 20" x 10"



KS-2419-C

APRON KITCHEN SINK



FEATURES:

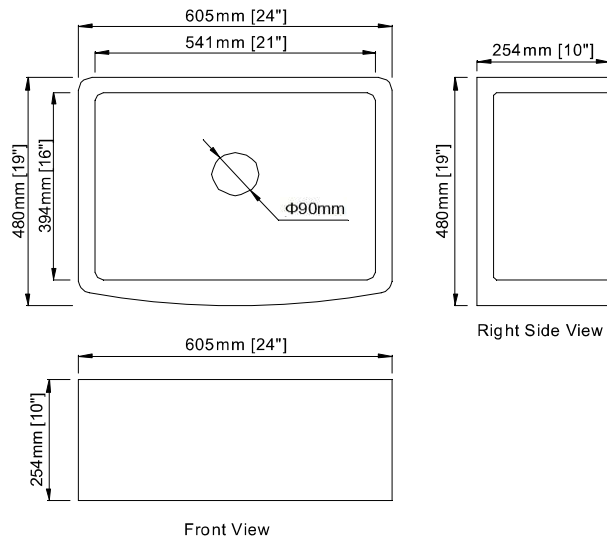
- ☆ Vitreous China
- ☆ Single bowl kitchen sink
- ☆ Without overflow
- ☆ Under-counter/Apron installation
- ☆ Drain is not included



NOMINAL OVERALL DIMENSION:

Length x Depth x Height

(605mm x 480mm x 254mm, 24" x 19" x 10")



IMPORTANT:

Dimensions of fixtures are nominal and may vary within the range of tolerances established by ANSI Standard A112.19.2M.

KS-3021-C

APRON KITCHEN SINK



FEATURES:

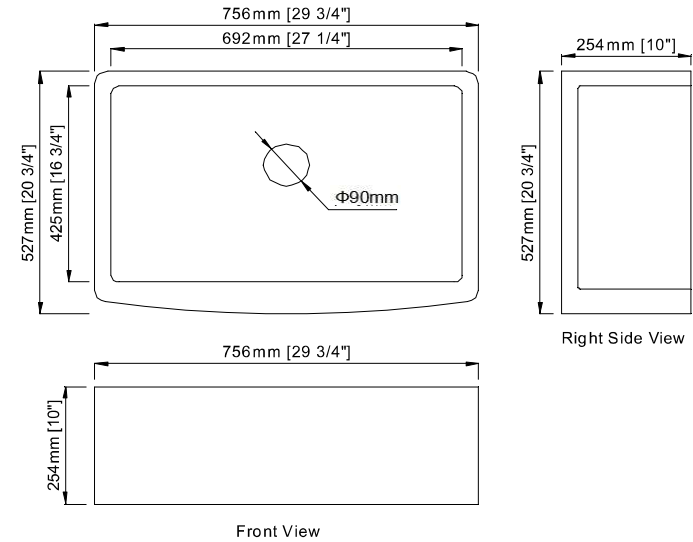
- ☆ Vitreous China
- ☆ Single bowl kitchen sink
- ☆ Without overflow
- ☆ Under-counter/Apron installation
- ☆ Drain is not included



NOMINAL OVERALL DIMENSION:

Length x Depth x Height

(756mm x 527mm x 254mm, 29-3/4" x 20-3/4" x 10")



IMPORTANT:

Dimensions of fixtures are nominal and may vary within the range of tolerances established by ANSI Standard A112.19.2M.

KS-3321-C

APRON KITCHEN SINK



FEATURES:

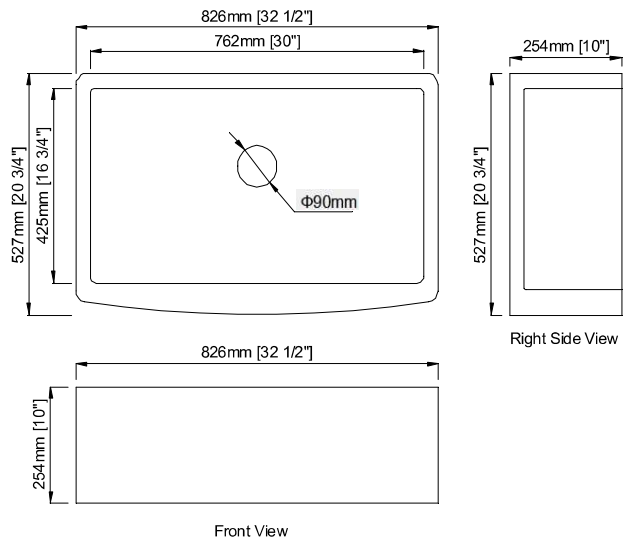
- ☆ Vitreous China
- ☆ Single bowl kitchen sink
- ☆ Without overflow
- ☆ Under-counter/Apron installation
- ☆ Drain is not included



NOMINAL OVERALL DIMENSION:

Length x Depth x Height

(826mm x 527mm x 254mm, 32-1/2" x 20-3/4" x 10")



KS-3321-BL

APRON KITCHEN SINK



FEATURES:

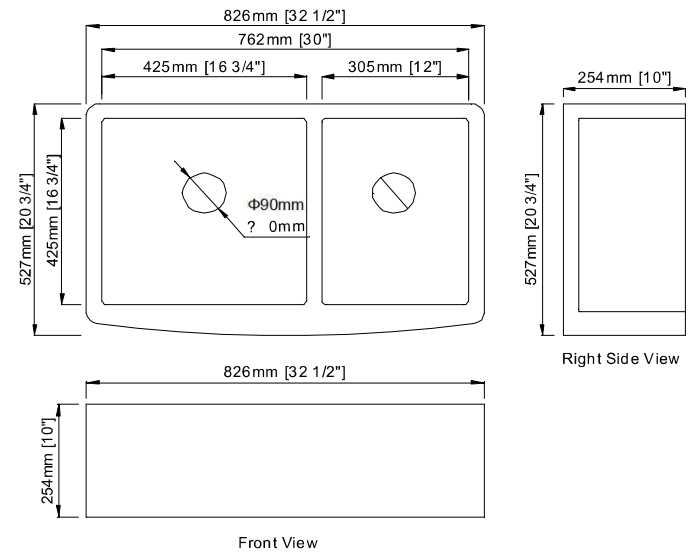
- ☆ Vitreous China
- ☆ Double bowl kitchen sink
- ☆ Without overflow
- ☆ Under-counter/Apron installation
- ☆ Drain is not included



NOMINAL OVERALL DIMENSION:

Length x Depth x Height

(826mm x 527mm x 254mm, 32-1/2" x 20-3/4" x 10")



IMPORTANT:

Dimensions of fixtures are nominal and may vary within the range of tolerances established by ANSI Standard A112.19.2M.

IMPORTANT:

Dimensions of fixtures are nominal and may vary within the range of tolerances established by ANSI Standard A112.19.2M.