

2022 CATALOG

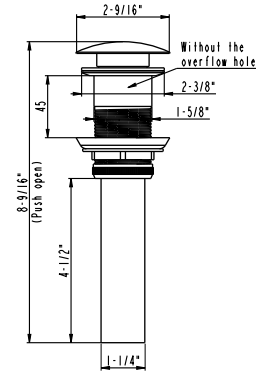




Drain-82001



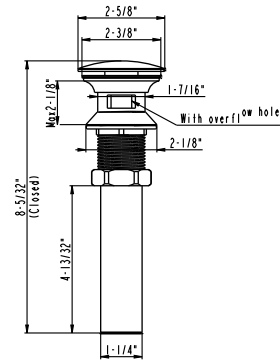
- FEATURES:
Brass material
POP-UP Drain With Out Overflow Hole
Drainage pipe specification 1-1/4 " ASME A112.18.2/CSA B125.2
Applicable place: basin
- FINISH:
Chrome(CP)
Brushed Nickel(BN)
Oil Rubbed Bronze(ORB)
Antique Copper(AC) Brushed Gold(BG)
Brushed Rose Gold(BRG) Black(BL)



Drain-82011



- FEATURES:
Brass material
POP-UP Drain With Overflow Hole
Drainage pipe specification 1-1/4 " ASME A112.18.2/CSA B125.2
Applicable place: basin
- FINISH:
Chrome(CP)
Brushed Nickel(BN)
Oil Rubbed Bronze(ORB)
Antique Copper(AC) Brushed Gold(BG)
Brushed Rose Gold(BRG) Black(BL)



Drain-SS-01



- FEATURES:
Description: \varnothing 114 Basket Strainer
Material:AUA304
FINISH:Satin



Drain-SS-02



- FEATURES:
Description: \varnothing 114 Basket Strainer
Material:AUA304
FINISH:Satin,Black,Gold



Drain-SS-03



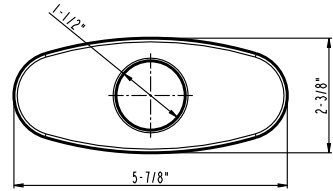
- FEATURES:
Description: \varnothing 114 Basket Strainer
Material:AUA304
FINISH:Satin,Black,Gold



Deck Plate-11030



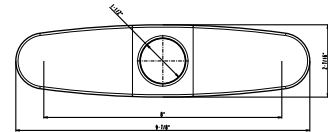
- FEATURES:
Hole dia. 1-1/2 "
Applicable place: sink or counter top
- FINISH:
Chrome(CP)
Brushed Nickel(BN)
Oil Rubbed Bronze(ORB)
Black(BL)
Brushed Rose Gold(BRG)



Deck Plate -11029



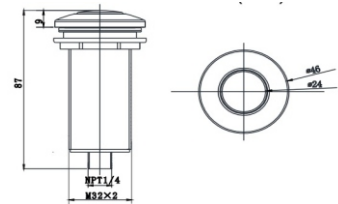
- FEATURES:
Hole dia. 1-1/2 "
Applicable place: basin or counter top
- FINISH:
Chrome(CP)
Brushed Nickel(BN)
Oil Rubbed Bronze(ORB)
Black(BL)
Brushed Rose Gold(BRG)



Air Switch WITH CONTROL BOX



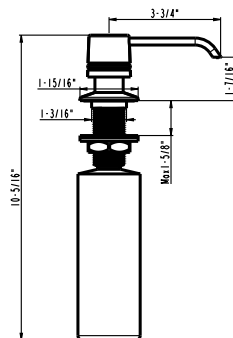
- FEATURES:
Be used together with air switch for remote control purpose
Used in food waste disposal
Have different finish for optional
- FINISH:
Polished Brass(PB)
Brushed Nickel(BN)
Polished Chrome(PC)
Black(BL)
Oil Rubbed Bronze(ORB)



Soap Dispenser-81002



- FEATURES:
Brass material
Bottle Volume: 12 OZ.
Applicable place: Kitchen Sink
- FINISH:
Chrome(PC)
Brushed Nickel(BN)
Oil Rubbed Bronze(ORB)
Brushed Rose Gold(BRG)
Black(BL)
Brushed Gold(BG)
Antique Copper(AC)



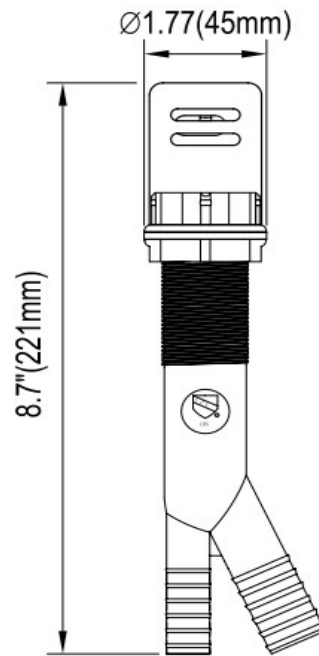


AIR GAP

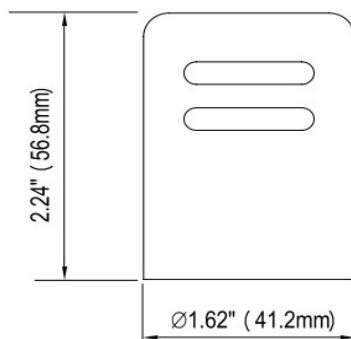
FEATURES:

- ☆ For kitchen dishwasher with strong pressure resistance and convenient construction
- ☆ Durable plastic white body
- ☆ With brass cap
- ☆ cUPC Approval

PICTURE & SIZE:



COMPONENT _ BRASS CAP



Chrome Plated



Brushed Nickel



ORB



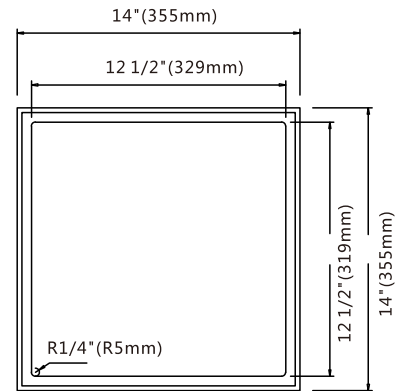
BLACK



SN1414



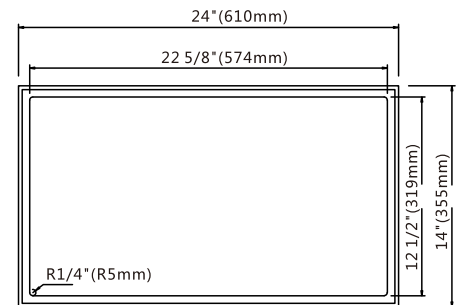
- Single Recessed Shower Niche
- Overall Size: 14" x 14"
- Inside Bowl: 12-1/2" x 12-1/2"
- Depth: 4"
- T-304 Stainless Steel
- Thickness: 20 Gauge



SN1424S



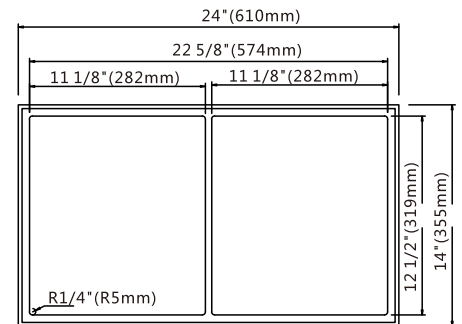
- Single Recessed Shower Niche
- Overall Size: 24" x 14"
- Inside Bowl: 22-5/8" x 12-1/2"
- Depth: 4"
- T-304 Stainless Steel
- Thickness: 20 Gauge



SN1424D



- Single Recessed Shower Niche
- Overall Size: 24" x 14"
- Inside Bowl: 22-5/8" x 12-1/2"
- Depth: 4"
- T-304 Stainless Steel
- Thickness: 20 Gauge





FEATURES:

- ☆ An essential kitchen appliance for modern families
- ☆ Offer clean and neat kitchen and avoid rubbish collection
- ☆ Eliminate offensive smell and prophis insect
- ☆ Prevent blockade of water pipe
- ☆ Be made of high-quality ABS engineering plastic
- ☆ Applies a low noise motor whose noise value is below 50 decibels
- ☆ Easy installation and cleaning
- ☆ Air switch control, easy operation
- ☆ Long service life on the conditions of running no more than 5 minutes each time



SPECIFICATION:

Power	560W (3/4 Horsepower)	Voltage/Frequency	110V/50Hz
Type of Motor	Commutator Motor	Grinding Chamber	High density alloy
Capacity	1L	Motor Speed	2600RPM
Mute System	Ultralow Mute	Function	Kitchen Waste Treatment
Overall Dimension (L x W x H)	8-11/16" x 8-11/16" x 15" 22 x 22 x 38cm	Install System	Quick three bayonet installation

COMPONENT LIST:



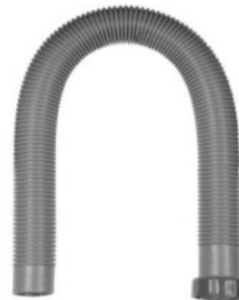
Connector (Small)



Connector (Big)



Air Switch



Drain Pipe A



Drain Pipe B



Rubber Cover



Plastic Lid (Small)



Plastic Lid (Big)



Plastic Lock Nut



Rubber Gasket (Big) (2pcs)



Elbow Tube



Power Cord



Hexagonal Plastic Lock Nut (2pcs)



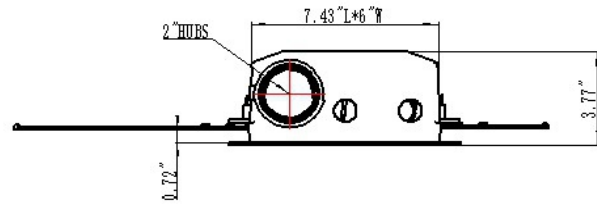
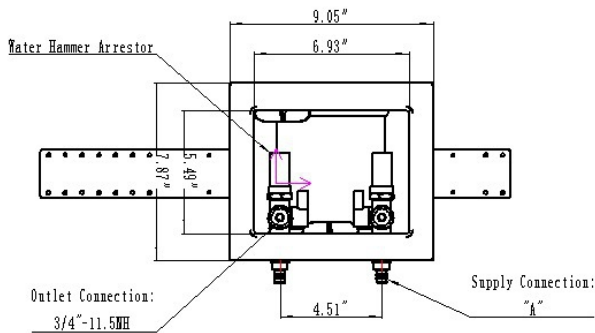
WASHING MACHINE OUTLET BOX WITH HAMMER ARRESTER

. SPECIFICATION

The outlet box suitable to residential and commercial water supply.

The product include the 1/4" lead free ball valve with water hammer arrestor, Different Supply Connection "A" X OUTLET 3/4" Male Hole Thread ,also include the outlet box body, the frame and two pieces bracket.

. INSTALLATION



. MATERIALS

Outlet box: HIPS

Frame: HIPS

Support bracket: HIPS

Valve body: Lead free brass

Arrester body: copper or stainless steel

Piston: glass-filled polypropylene with two EPDM O-ring

. CERTIFICATIONS/APPROVALS

NSF372, IGC168-2012, NSF/ANSI61

. VALVE/ARRESTER WORKING LIMITS

Max working temperature:180F

Max working pressure:250PSIG

. DIMENSIONS: All dimensions in Inches

. Create Item Number:

Item Number	Water Hammer Arrestor Material	Supply Connection "A"
MH-611-C11	Stainless Steel	1/2" MIP. Sweat
MH-651-C11	Stainless Steel	1/2" PUSH FIT





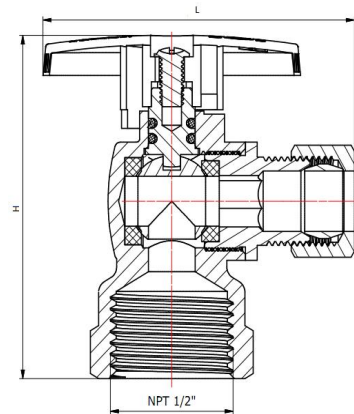
QTR-TURN SUPPLY STOPS

Part No:AV1238FC

1/2 in. FIP inlet x 3/8 in. O.D. Comp outlet 1/4 Turn Angle stop valve



- Features:
- LEAD FREE Forged chrome plated body
- Quarter Turn operation
- Self-lubricating Teflon seals
- Double O-ring for safety
- Max working pressure 125PSI
- CUPC,NSF,AB1953 Approved



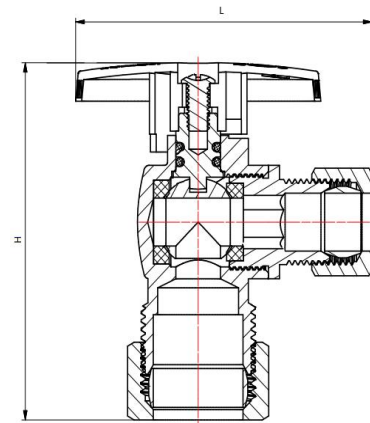
QTR-TURN SUPPLY STOPS

Part No:AV5838CC

5/8 in.O.D.Comp inlet x 3/8 in.O.D.Comp outlet 1/4 Turn Angle stop valve



- Features:
- LEAD FREE Forged chrome plated body
- Quarter Turn operation
- Self-lubricating Teflon seals
- Double O-ring for safety
- Max working pressure 125PSI
- CUPC,NSF,AB1953 Approved



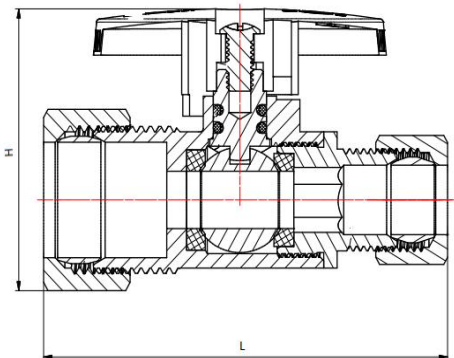
QTR-TURN SUPPLY STOPS

Part No:SV5838CC

5/8 in.O.D.Comp inlet x 3/8 in.O.D.Comp outlet 1/4 Turn straight stop valve



- Features:
- LEAD FREE Forged chrome plated body
- Quarter Turn operation
- Self-lubricating Teflon seals
- Double O-ring for safety
- Max working pressure 125PSI
- CUPC,NSF,AB1953 Approved



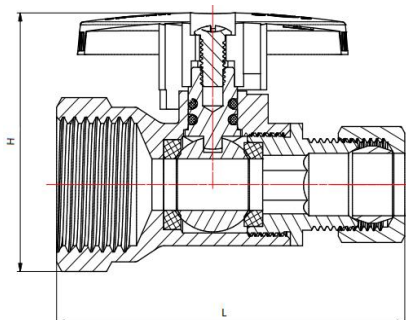
QTR-TURN SUPPLY STOPS

Part No:SV1238FC

1/2 in.FIP inlet x 3/8 in.O.D.Comp outlet 1/4 Turn straight stop valve



- Features:
- LEAD FREE Forged chrome plated body
- Quarter Turn operation
- Self-lubricating Teflon seals
- Double O-ring for safety
- Max working pressure 125PSI
- CUPC,NSF,AB1953 Approved





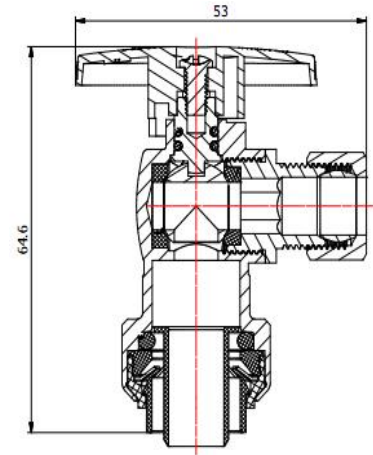
QTR-TURN SUPPLY STOPS

Part No:AV1238PC

1/2"push-fit inlet x 3/8 in.O.D.Comp outlet 1/4 Turn straight stop valve



- Features:
- LEAD FREE Forged chrome plated body
- Quarter Turn operation
- Self-lubricating Teflon seals
- Double O-ring for safety
- Push Fit inlet x Compression outlet
- Max working pressure 125PSI
- CUPC,NSF,AB1953 Approved



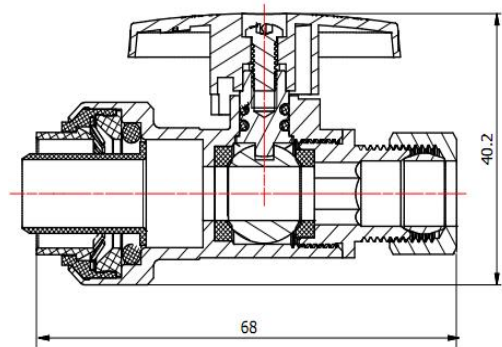
QTR-TURN SUPPLY STOPS

Part No:SV1238PC

1/2"push-fit inlet x 3/8 in.O.D.Comp outlet 1/4 Turn Angle stop valve



- Features:
- LEAD FREE Forged chrome plated body
- Quarter Turn operation
- Self-lubricating Teflon seals
- Double O-ring for safety
- Push Fit inlet x Compression outlet
- Max working pressure 125PSI
- CUPC,NSF,AB1953 Approved



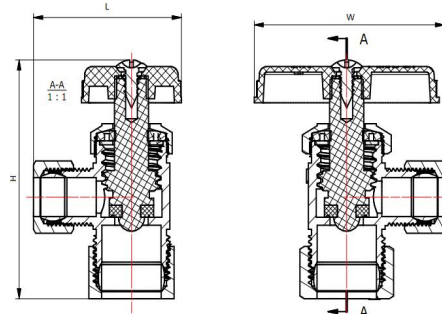
MULTI-TURN SUPPLY STOPS

Part No:AVD5838CC

5/8 in.O.D.Comp inlet x 3/8 in.O.D.x 3/8 in.O.D.Comp Dual outlet multi Turn angle stop valve



- Features:
- LEAD FREE Forged chrome plated body
- Multi Turn operation
- POM stem
- Max working pressure 125PSI
- CUPC,NSF,AB1953 Approved



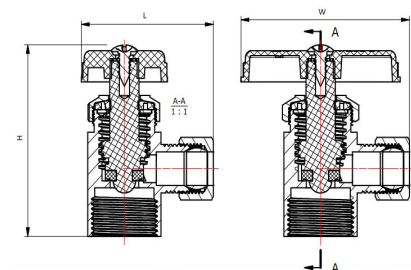
MULTI-TURN SUPPLY STOPS

Part No:AVD1238FC

1/2 in.FIP inlet x 3/8 in.O.D.x 3/8 in.O.D.Comp Dual outlet multi Turn angle stop valve



- Features:
- LEAD FREE Forged chrome plated body
- Multi Turn operation
- POM stem
- Max working pressure 125PSI
- CUPC,NSF,AB1953 Approved





2022 CATALOG