



Single gang SS wall plate kit (1x XLR locking female)

WPK-XLR-1FL - Specifications

Description

This wall plate kit consists of a wall plate, and a XLR locking female to solder insert. It is compatible with standard North American electrical openings, data clips or surface mount boxes.

Physical Characteristics

Color Stainless Steel
Material Stainless Steel
Plate Size Single Gang
Connector Plating XLR Nickel

Connectors

XLR (locking) Female - Solder

Environmental

RoHS Yes

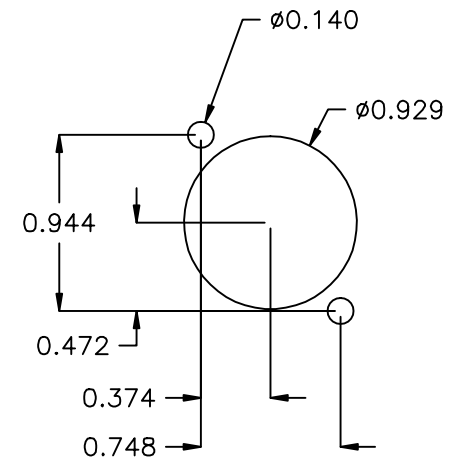
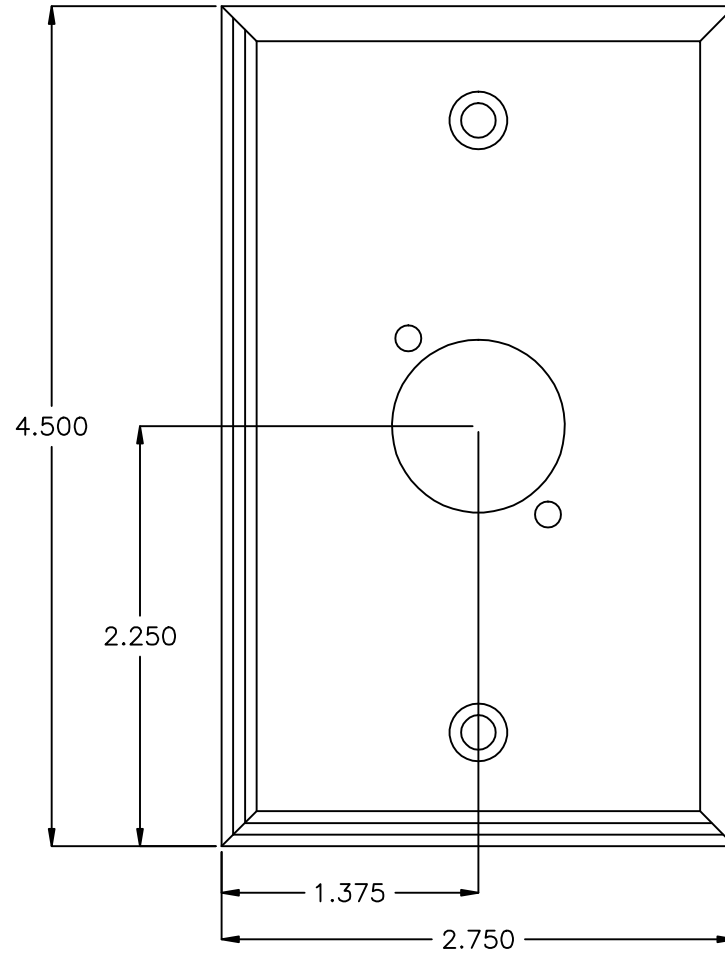
Packaging Information

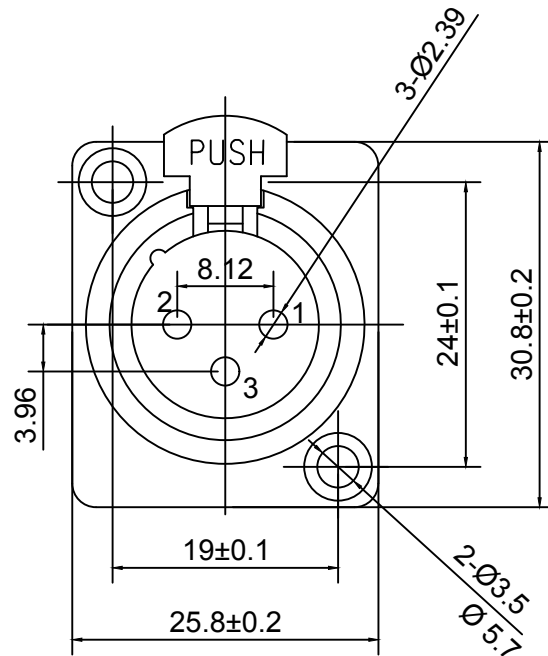
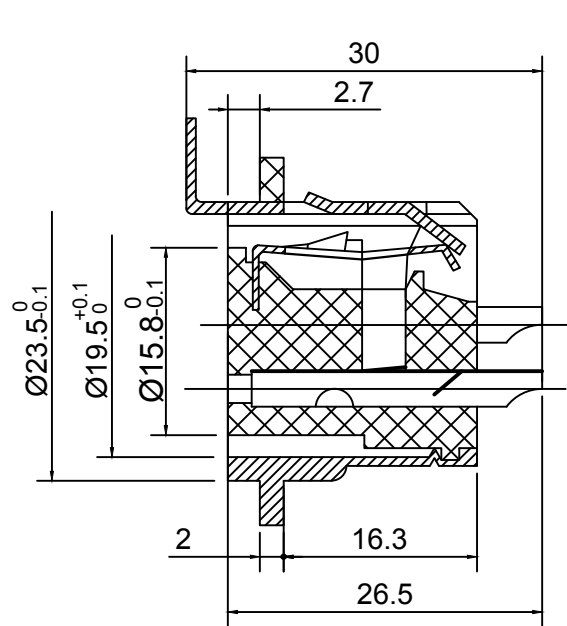
Package Quantity Product 1
Weight 0.34 lbs [0.15 kg]
Dimensions 4.5 L, 2.75 W inches [11.5 L, 7

Contents

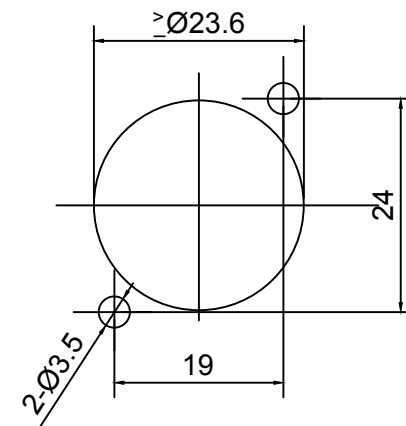
Included in Package 1 - Wall Plate Kit
 1 - Pair of Screws







Installation hole size



| | | | | | |
|-----|-----------|--------------------|-----|----------------------|----------------|
| 6 | | Grounding Terminal | 1 | H62 | Silver plating |
| 5 | | Plastic block | 1 | PA66+30% glass fiber | Black |
| 4 | | Plug hole | 3 | QSn6.5-0.1 | Silver |
| 3 | | Push rod | 1 | H62 | Nickel plated |
| 2 | | Spring | 1 | 65Mn | Large |
| 1 | | Zinc | 1 | ZZn-AL4-1 | Nickel plated |
| No. | Drawing # | Name | Qty | Material | Notes |