



USB 2.0 A Male to A Male Hi-Speed Cable

USB-AA1-xx - Specifications

Description

This USB 2.0 cable consists of a USB A male on both ends. It is typically used to connect a USB peripheral to your computer such as a USB hub to a PC.

Physical Characteristics

Color	Black/ White
Connector Plating	Nickel Plated
Contact Plating	Gold Plated
Cable Diameter	4.5 mm
Wire Gauge	28AWG (data) / 24AWG (power)
Jacket Material	PVC - Polyvinyl Chloride
Cable Shielding	65% ALMG
Strain Relief	Molded PVC
Temperature Rating	80 deg C
Cable Voltage Rating	30V

Connectors

Connector A	USB 2.0 Type A Hi-Speed Male
Connector B	USB 2.0 Type A Hi-Speed Male

Performance

Rating	USB 2.0 Hi-Speed Compliant Cable
Speed	480 Mbps
Compatibility	Backwards Compatible with 1.0

Approvals/Environmental

UL, cUL	Yes - Cable
RoHS/Reach/Conflict Minerals	Yes

Warranty Information

Warranty	Limited Lifetime
----------	------------------

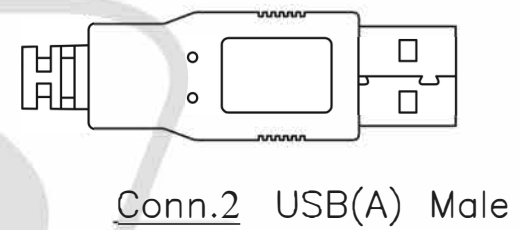
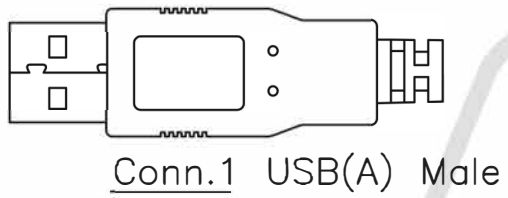
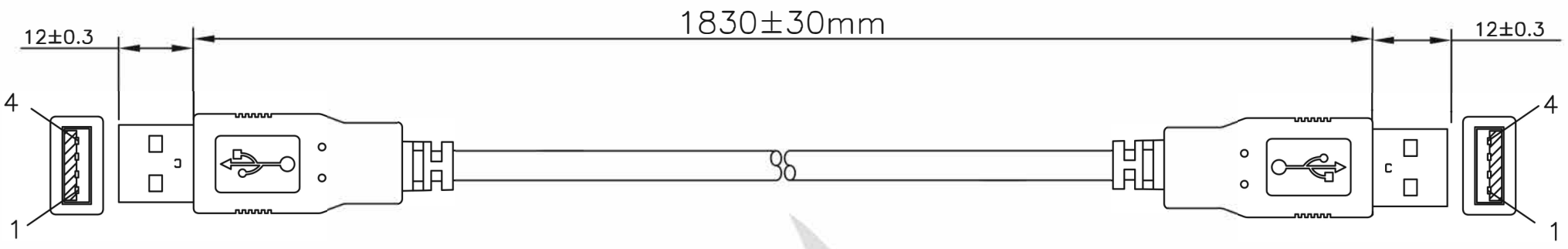
Packaging Information

Package Quantity	1
------------------	---

Cable Weights

1ft	2ft	3ft	6ft	10ft	15ft
0.05 lbs	0.08 lbs	0.10 lbs	0.20 lbs	0.30 lbs	0.40 lbs





Pin Assignment

