



# 10ft USB 3.1 Type-C Male to Type-C Male Cable 5G 3A - Black

## USB-312-10 - Specifications

### Description

This USB 3.1 cable consists of a USB type-C male on both ends. It is capable of transferring data at 5Gbps and is typically used to connect USB 3.1 peripherals as well as charge and sync USB Type-C mobile devices. USB 3.1 is backwards compatible with previous generation USB devices and is also compatible with Thunderbolt™ 3 ports.

### Physical Characteristics

Cable Length	10 foot
Color	Black
Connector Plating	Nickel Plated
Contact Plating	Gold Plated
Cable Diameter	4.5mm
Wire Gauge	30AWG (data) / 24AWG (power)
Jacket Material	PVC - Polyvinyl Chloride
Strain Relief	Molded

### Connectors

Connector A & Connector B	9-pin USB 3.1 Type-C SuperSpeed Male
---------------------------	--------------------------------------

### Performance

Rating	USB 3.1 SuperSpeed – Gen 1
Speed	Max 60W
Amperage	Max 3A
Compatibility	Backwards Compatible Previous Generation USB
Power	3 Amp
Support	DisplayPort, 4-Channel Audio, ThunderBolt™ 3, PCI Express

### Environmental

RoHS/Reach/Conflict Minerals	Yes
------------------------------	-----

### Packaging Information

Package Quantity	1
Product Weight	0.17 lbs

### Warranty Information

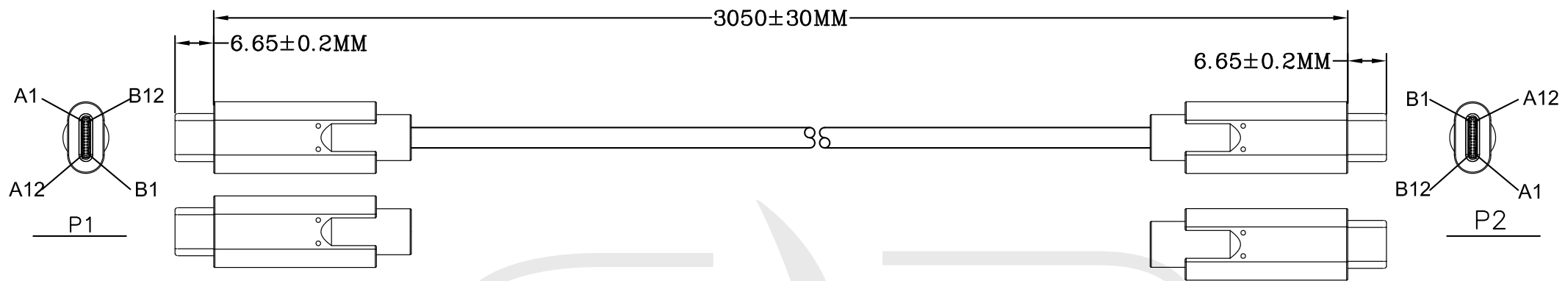
Warranty	Limited Lifetime
----------	------------------





# 10ft USB 3.1 Type-C Male to Type-C Male Cable 5G 3A - Black

## USB-312-10 - Line Drawing



### Pin Assignment:

