



DB9 Female to DB25 Male Serial Cable - AT-Modem - Beige

SR-120-xx - Specifications

Description

This AT-modem serial cable consists of a DB9 female on one end and a DB25 male on the other. It is commonly used in serial RS-232 AT-modem applications.

Physical Characteristics

Color	Beige
Wire Gauge	28AWG Stranded
Jacket Material	PVC - Polyvinyl Chloride
Cable Shielding	100% Aluminum Mylar Foil Shield

Connectors

Connector A	DB9 Female
Connector B	DB25 Male

Pin Out

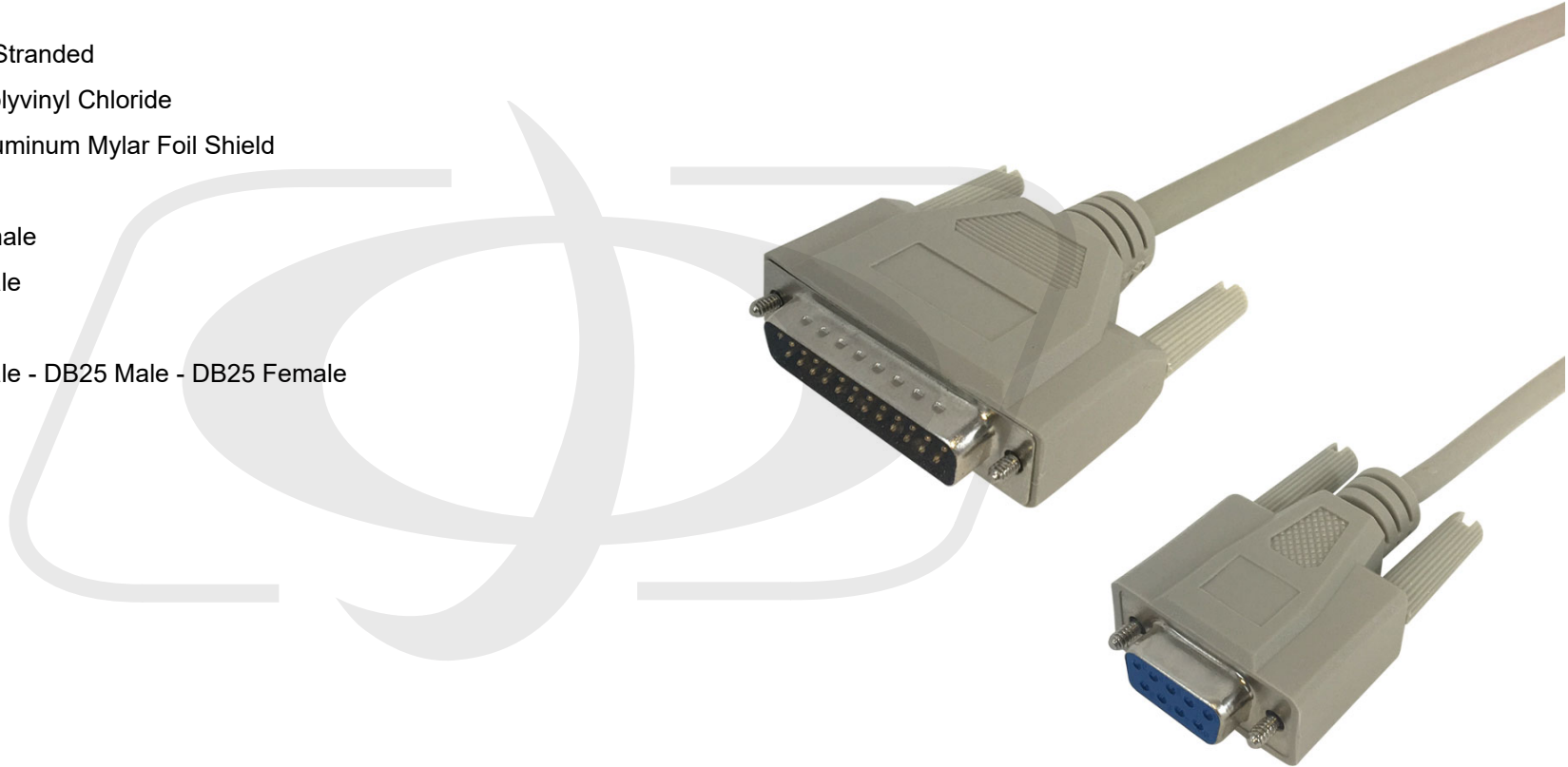
DB25 Male - DB25 Male - DB25 Female
1-8
2-3
3-2
4-20
5-7
6-6
7-4
8-5
9-22
Shell-Shell

Environmental

RoHS	Yes
------	-----

Packaging Information

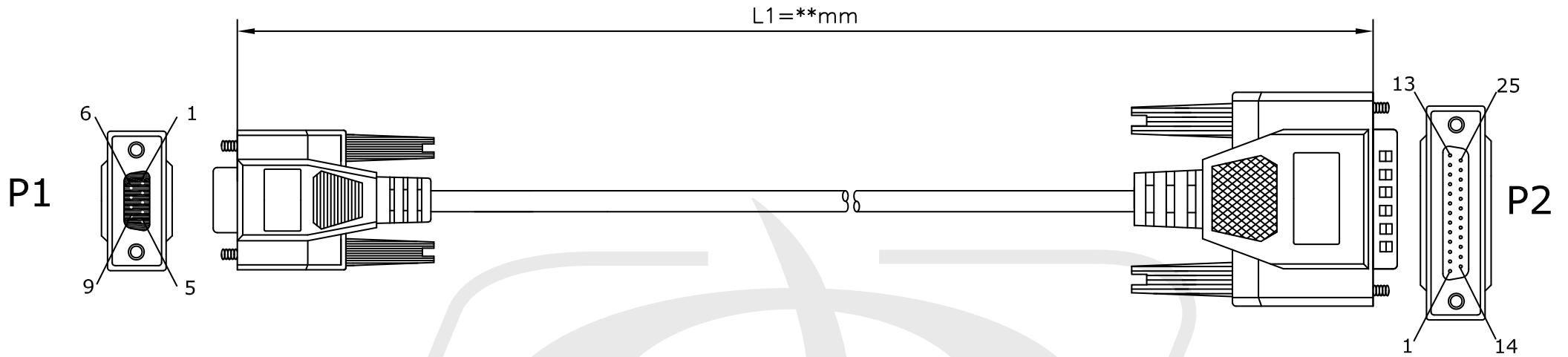
Package Quantity	1
------------------	---





DB9 Female to DB25 Male Serial Cable - AT-Modem - Beige

SR-120-xx - Line Drawing



L1=305 ± 10mm	L=0.305m/1ft	SR-120-01
L1=915 ± 20mm	L=0.915m/3ft	SR-120-03
L1=1830 ± 30mm	L=1.83m/6ft	SR-120-06
L1=3050 ± 40mm	L=3.05m/10ft	SR-120-10
L1=4575 ± 50mm	L=4.575m/15ft	SR-120-15
L1=7625 ± 50mm	L=7.625m/25ft	SR-120-25

PIN ASSIGNMENT

P1	P2
1	8
2	3
3	2
4	20
5	7
6	6
7	4
8	5
9	22
Shell	Drain
	Shell

