



Rack Screw, 10-32 Thread, 3/4 inch Length Pan-head Quadrex (Phillips #2 & Robertson #2) - 100 Pack

RM-SC01-100xx - Specifications

Description

These rack screws have a 10-32 thread and are 3/4 inches in length. They are typically used along with 10-32 cage nuts to mount equipment onto racks and cabinet rails. They are nickel plated/black oxide and are sold in packs of 100.

Physical Characteristics

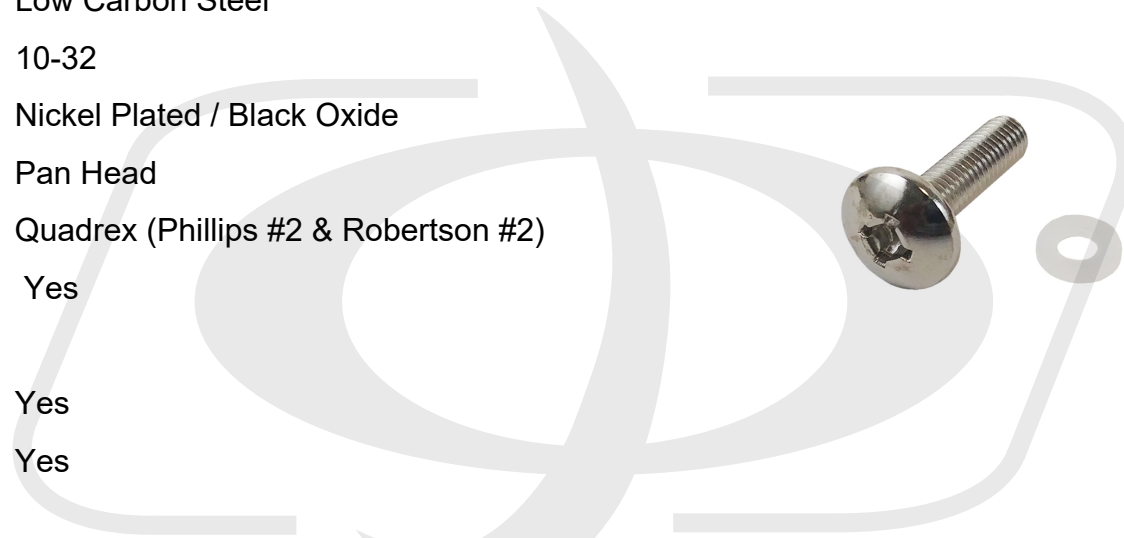
Material	Low Carbon Steel
Threads	10-32
Finish	Nickel Plated / Black Oxide
Head Style	Pan Head
Screw Drive	Quadrex (Phillips #2 & Robertson #2)
Washer Included	Yes

Approvals

RoHS	Yes
Reach	Yes

Packaging Information

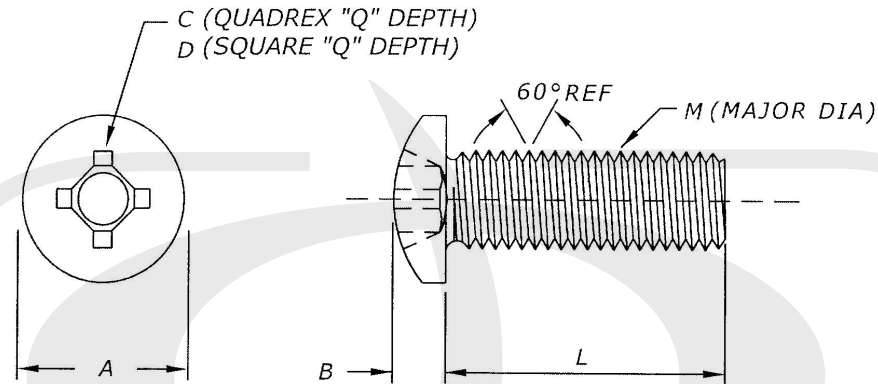
Package Quantity	1 - Pack of 100 Screws with Washers 0.7
Product Weight	lbs [0.32 kg]





Rack Screw, 10-32 Thread, 3/4 inch Length Pan-head Quadrex (Phillips #2 & Robertson #2) - 100 Pack

RM-SC01-100xx - Line Drawing



SIZE	A	B	DRIVE NO	C	D	PUNCH CODE	M	L
#10-32x3/4	0.453"	0.137"	#2	0.108"	0.080"	QP	0.1900"	0.750"
	0.433"	0.123"		0.094"	0.068"	10-26	0.1831"	0.720"

