



Wall Mount Swing Cabinet 9U x 18.5" Usable Depth - Perforated Doors - Black

RM-561-xx - Specifications

Description

These 9U, 12U and 15U wall mount swing-out cabinets come with a lockable front door, lockable swing out back and removable/lockable side panels. The cabinet can be mounted so that the swing-out function can open left or right. The front door can be installed to swing open left or right as well. The front door and side doors are vented for increased airflow as well. Fans holes are located top and bottom to add the airflow. It is typically used for housing network and DVR equipment used in small offices and homes.

Physical Characteristics

Color	Black - Powder Coated		
Material	SPCC Cold Rolled Steel		
Material Thickness	Rails:1.35mm, Others:1.0 mm		
Front Doors	Removable Perforated Front Door, Opening Angle is Over 180 Degrees, Lockable Can be Mounted to Swing Left		
Swing Out Back	Opening Angle is Over 90 Degrees, Lockable - Requires Two Keys to Open Can be Mounted to Swing Open Left or Right		
Lockable Side Panels	Yes - Perforated - Can be flipped so lock faces up		
Removable Side Panels	Yes - Perforated - Can be flipped so lock faces up		
Adjustable Mounting Profile Installation	Yes		
Assembly Required	No		
Loading Capacity	Maximum 110 lbs [50 kg]		
Cable Entries	Cable Entry on Top and Bottom Panels		
Width	19 inches		
Capacity	9U/ 12U/ 15U		
Product Dimensions	9U: 19.7 H, 23.6 W, 21.6 D inches [50 H, 60 W, 55 D cm]	12U: 24.8 H, 23.6 W, 21.6 D inches [63 H, 60 W, 55 D cm]	15U: 24.8 H, 23.6 W, 21.6 D inches [63 H, 60 W, 55 D cm]
Mounting Rails	2 pairs of square hole rails , Adjustable depth 75mm, 85mm, 95mm 105mm, 115mm (Measured from the Glass to the Rail) 9U Height x 19" Wide x 18.5" Deep		
Usable Mounting Dimensions	9U Height x 19" Wide x 18.5" Deep	12U Height x 19" Wide x 18.5" Deep	15U Height x 19" Wide x 18.5" Deep
Cooling Fans	Not Included, Sold Separately (RM-615), Optional fan holes located at both the top and bottom of the cabinet		
Grounding Stud	Yes		



Compatible Products

Products RM-500-BRUSH, RM-615

Approvals/Environmental

ANSI/EIA, RS-310-D, IEC60297-2,	Yes
DIN41494 PART1, PART7	Yes
RoHS, Reach	Yes

Packaging Information

Package Quantity	1 - Wall Mount Swing-Out Cabinet 9U/12U/15U (Assembled)
Mounting Hardware	10 Sets – M6 Screws and Cage Nuts

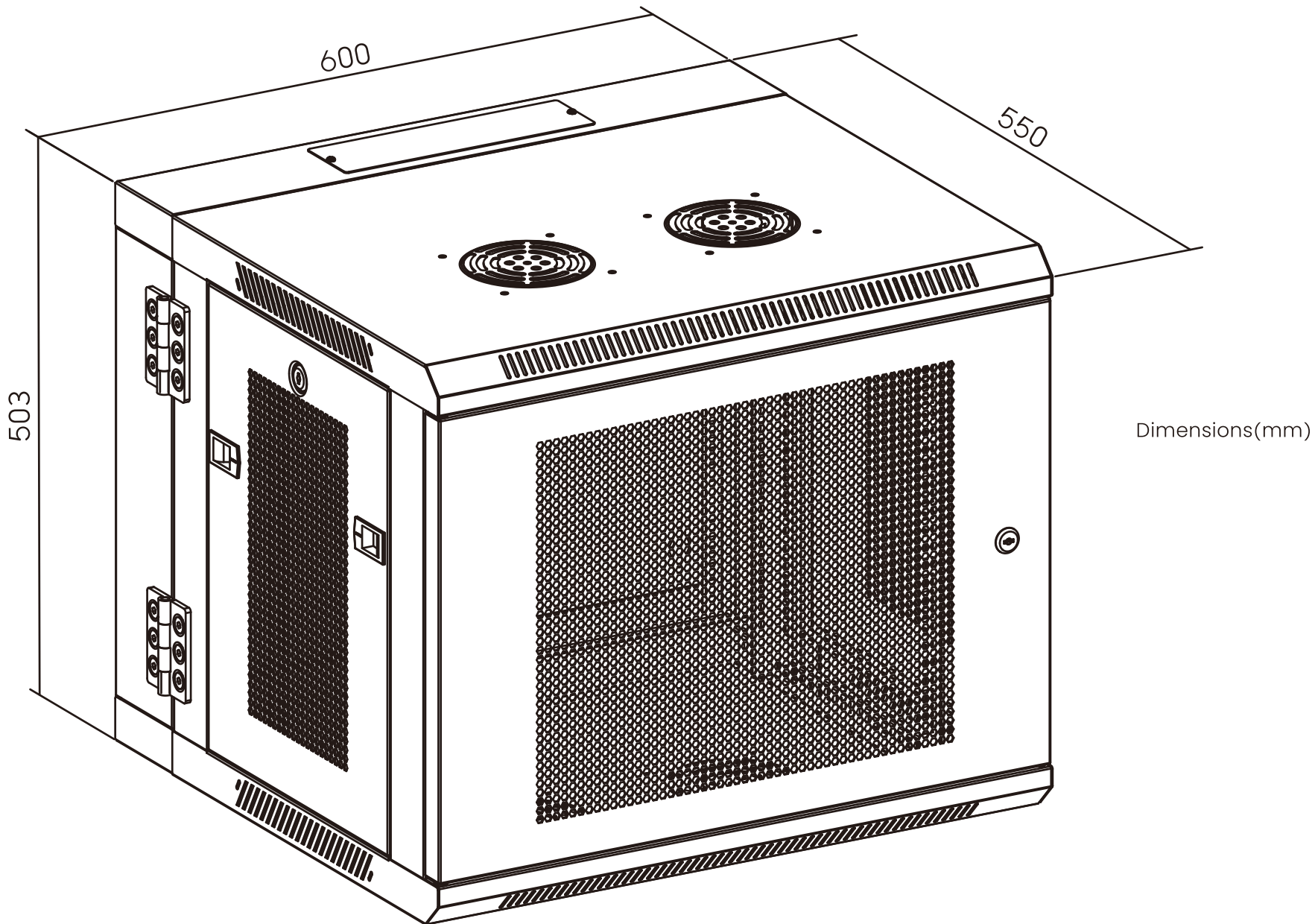
Product Weight

9U: 41.88 lbs
12U: 57.32 lbs
15U: 63.93 lbs



Wall Mount Swing Cabinet 9U x 18.5" Usable Depth - Perforated Doors - Black

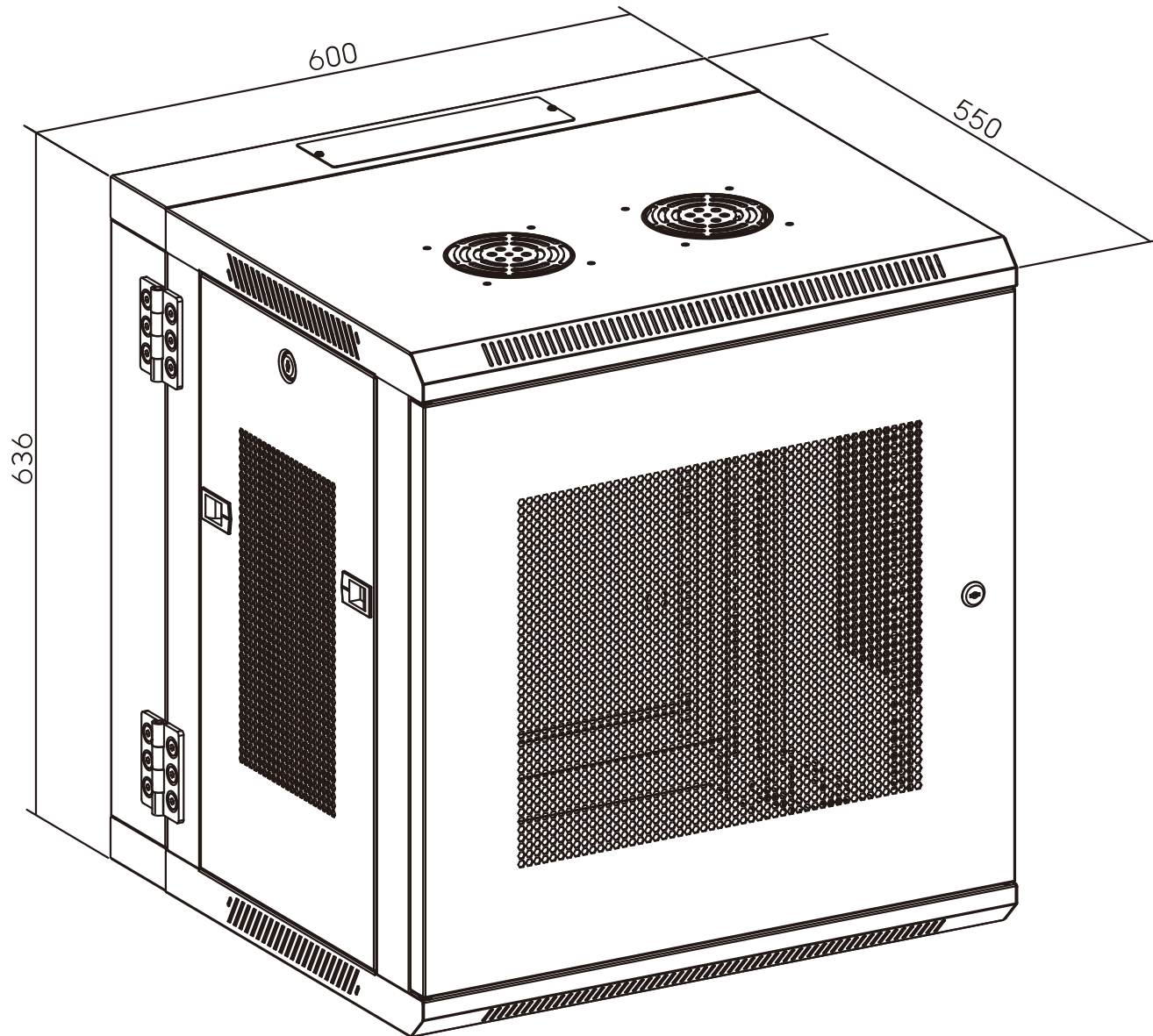
RM-561-9U - Line Drawing





Wall Mount Swing Cabinet 12U x 18.5" Usable Depth - Perforated Doors - Black

RM-561-12U - Line Drawing



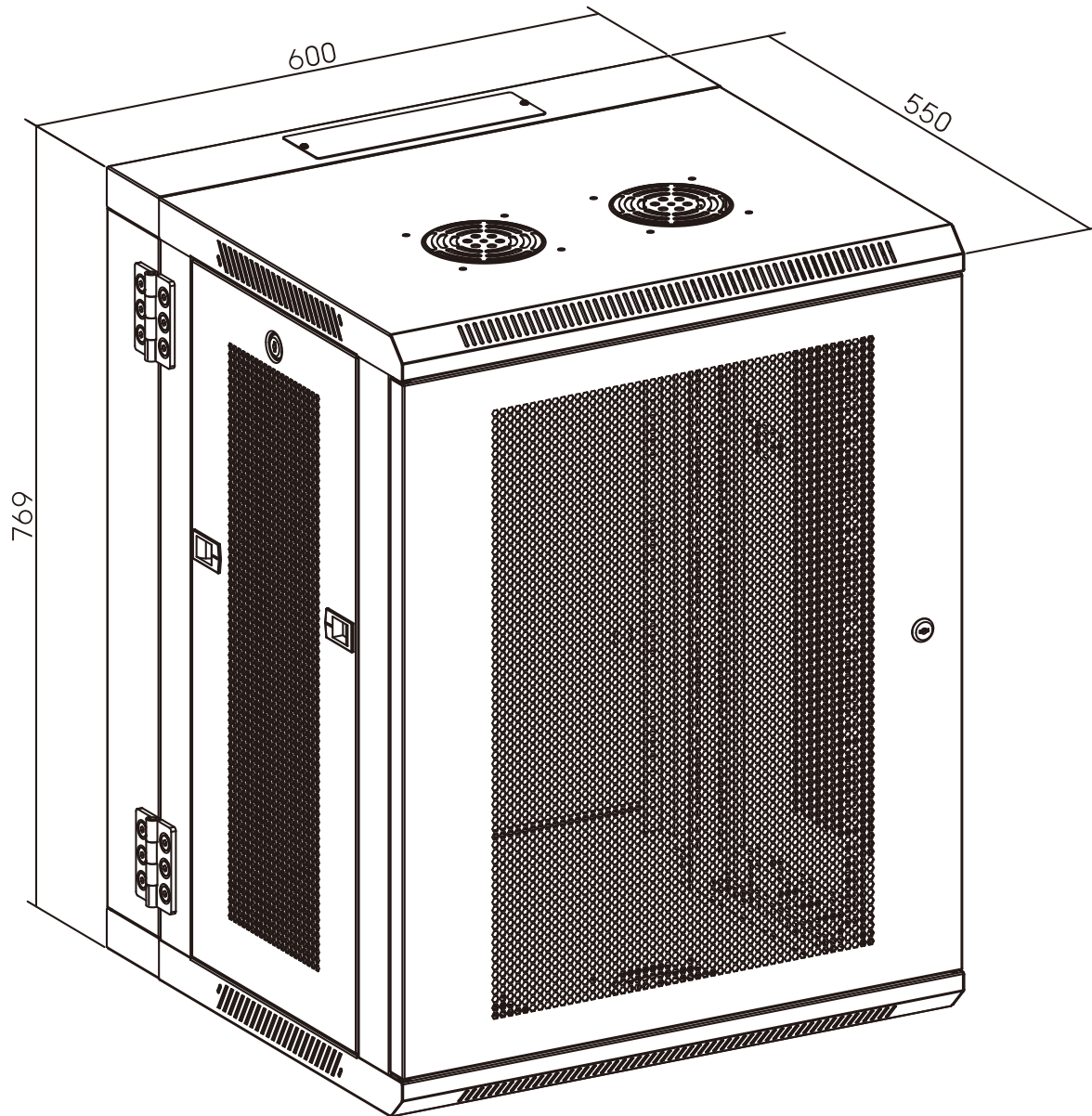
Dimensions(mm)





Wall Mount Swing Cabinet 15U x 18.5" Usable Depth - Perforated Doors - Black

RM-561-15U - Line Drawing



Dimensions(mm)

